

DOSSERT® TYPE 1000 SERIES

Tube to Cable Tee Adapter

Tee adapter is designed with saddle to allow connector to be clamped to bus tube during field welding. Stranded conductor is puddle welded to connector, then connector is welded to bus tube. Not recommended for use on ACSR conductors due to difficulty welding steel core.

Material

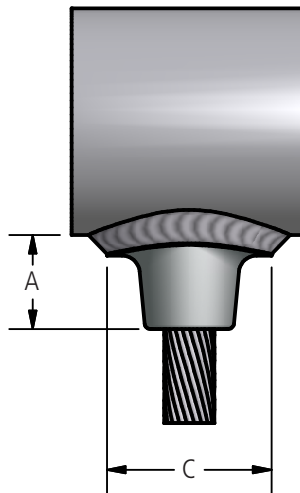
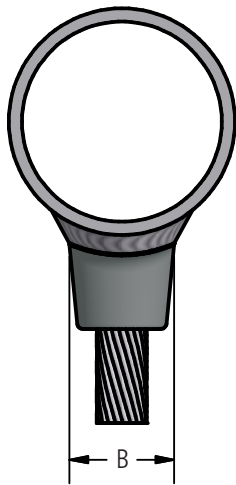
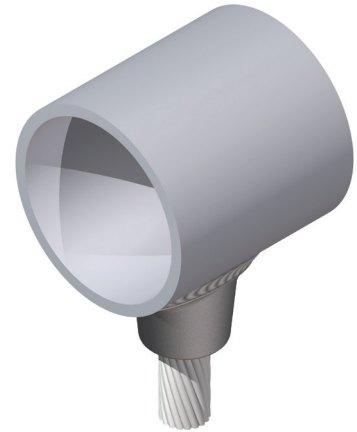
Aluminum Alloy

Ordering Instructions

Step 1: Determine Catalog Number

Determine the catalog number from Table 2 based on the bus conductor and the diameter of the stranded conductor being used.

Example: A tee adapter for a run conductor of 3" schedule 40 and a stranded conductor diameter of 0.926", the complete catalog number is: 1006.100



DOSSERT®

TYPE 1000 SERIES

Tube to Cable Tee Adapter

Table 1 (Physical Characteristics of Series)

CATALOG NUMBER	DIMENSIONS IN INCHES			NOMINAL WEIGHT LBS
	A	B	C	
1000	0.75	0.81	1.75	0.06
1001	1.00	1.00	2.12	0.11
1002	1.00	1.00	2.12	0.11
1003	1.25	1.31	2.44	0.19
1004	1.25	1.31	2.44	0.19
1005	1.50	1.62	2.81	0.28
1006	1.50	1.62	2.81	0.28
1007	1.75	1.88	3.12	0.38
1008	1.75	1.88	3.12	0.38
1009	2.00	2.25	3.50	0.62
1010	2.00	2.25	3.50	0.62
1011	2.25	2.50	3.88	0.75
1012	2.25	2.50	3.88	0.75

Table 2 (Catalog Numbers)

STRANDED CONDUCTOR DIAMETER RANGE	CATALOG NUMBER									
	SPS									
	1	1 1/4	1 1/2	2	2 1/2	3	3 1/2	4	5	6
0.366 - 0.394	1000.40	1000.40	1000.40	1000.40	1000.40	1000.40	1000.40	1000.40	1000.40	1000.40
0.395 - 0.428	1000.44	1000.44	1000.44	1000.44	1000.44	1000.44	1000.44	1000.44	1000.44	1000.44
0.429 - 0.459	1000.47	1000.47	1000.47	1000.47	1000.47	1000.47	1000.47	1000.47	1000.47	1000.47
0.460 - 0.490	1001.50	1002.50	1002.50	1002.50	1002.50	1002.50	1002.50	1002.50	1002.50	1002.50
0.491 - 0.521	1001.53	1002.53	1002.53	1002.53	1002.53	1002.53	1002.53	1002.53	1002.53	1002.53
0.522 - 0.552	1001.56	1002.56	1002.56	1002.56	1002.56	1002.56	1002.56	1002.56	1002.56	1002.56
0.553 - 0.599	1001.61	1002.61	1002.61	1002.61	1002.61	1002.61	1002.61	1002.61	1002.61	1002.61
0.600 - 0.644	1001.66	1002.66	1002.66	1002.66	1002.66	1002.66	1002.66	1002.66	1002.66	1002.66
0.645 - 0.691	1003.70	1003.70	1003.70	1003.70	1004.70	1004.70	1004.70	1004.70	1004.70	1004.70
0.692 - 0.738	1003.75	1003.75	1003.75	1003.75	1004.75	1004.75	1004.75	1004.75	1004.75	1004.75
0.739 - 0.800	1003.81	1003.81	1003.81	1003.81	1004.81	1004.81	1004.81	1004.81	1004.81	1004.81
0.801 - 0.863	1003.88	1003.88	1003.88	1003.88	1004.88	1004.88	1004.88	1004.88	1004.88	1004.88
0.864 - 0.925	-	-	1005.94	1005.94	1005.94	1006.94	1006.94	1006.94	1006.94	1006.94
0.926 - 0.985	-	-	1005.100	1005.100	1005.100	1006.100	1006.100	1006.100	1006.100	1006.100
0.986 - 1.047	-	-	1005.106	1005.106	1005.106	1006.106	1006.106	1006.106	1006.106	1006.106
1.048 - 1.110	-	-	1005.112	1005.112	1005.112	1006.112	1006.112	1006.112	1006.112	1006.112
1.111 - 1.173	-	-	-	1007.119	1007.119	1008.119	1008.119	1008.119	1008.119	1008.119
1.174 - 1.235	-	-	-	1007.125	1007.125	1008.125	1008.125	1008.125	1008.125	1008.125
1.236 - 1.297	-	-	-	1007.131	1007.131	1008.131	1008.131	1008.131	1008.131	1008.131
1.298 - 1.360	-	-	-	1009.138	1009.138	1009.138	1010.138	1010.138	1010.138	1010.138
1.361 - 1.423	-	-	-	1009.144	1009.144	1009.144	1010.144	1010.144	1010.144	1010.144
1.424 - 1.485	-	-	-	1009.150	1009.150	1009.150	1010.150	1010.150	1010.150	1010.150
1.486 - 1.542	-	-	-	1009.156	1009.156	1009.156	1010.156	1010.156	1010.156	1010.156
1.543 - 1.605	-	-	-	1011.162	1011.162	1012.162	1012.162	1012.162	1012.162	1012.162
1.606 - 1.668	-	-	-	1011.169	1011.169	1012.169	1012.169	1012.169	1012.169	1012.169
1.669 - 1.730	-	-	-	1011.175	1011.175	1012.175	1012.175	1012.175	1012.175	1012.175
1.731 - 1.792	-	-	-	1011.181	1011.181	1012.181	1012.181	1012.181	1012.181	1012.181
1.793 - 1.855	-	-	-	1011.188	1011.188	1012.188	1012.188	1012.188	1012.188	1012.188

230 kV Aluminum Tee and Vee Connectors

DOSSERT® A-Frame Connectors 14500 and 14600 Series

**Branch Connector (14500 Series) -
Vee Connector (14600 Series) - 30°**

AFL can supply prefabricated A-frame assemblies ready for field mounting and welding. Assemblies are factory fabricated from standard A-frame fittings and pipe carefully welded and inspected to insure accuracy and best performance.

A-frame fittings are designed to make fast, reliable A-frame assemblies. Fittings are designed to be welded on the outside of the pipe allowing use of both Schedule 40 and Schedule 80 pipe. Socket design allows for slight inaccuracies in field cut length of pipe.

To order include angle, top and bottom run sizes, leg size, centerline height and crossbrace size and spacing if required.

Ordering Instructions

Step 1: Determine Catalog Number

Determine the catalog number based on the bus conductor being used for the run and the branch.

Example: A 15° branch connector for a run conductor of 3" schedule 40 and a branch conductor of 2 1/2" schedule 40, the catalog number is: 14508-7

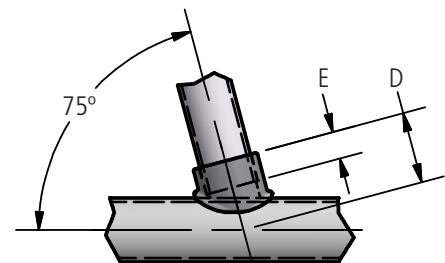
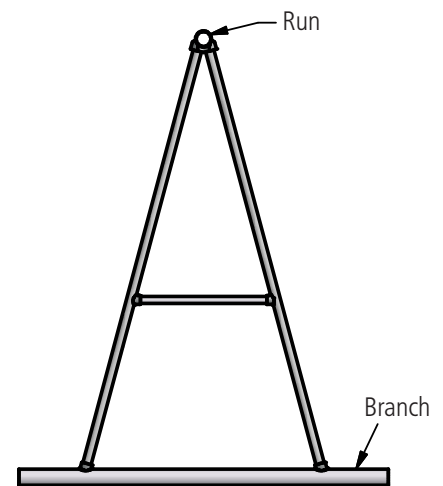
A 30° vee connector for a run conductor of 4" schedule 40 and a branch conductor of 2 1/2" schedule 40, the catalog number is: 14610-7

Notes

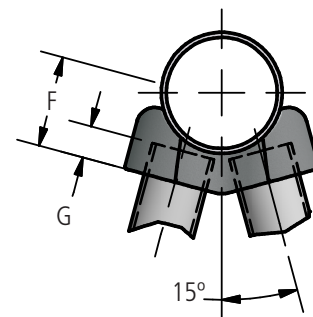
- For bus conductor information, see AFL Bus Conductor section.



A-Frame



WTA-75-AA
WTA-80-AA



WVBP-20-AA
WVBP-30-AA

DOSSERT®

A-Frame Connectors 14500 and 14600 Series

Branch Connector (14500 Series) -
Vee Connector (14600 Series) - 30°

Ordering Information

CONDUCTOR SIZE		CATALOG NUMBER		DIMENSIONS IN INCHES				NOMINAL WEIGHT LBS	
SCH 40 & SCH80		BRANCH CONNECTOR	VEE CONNECTOR	D	E	F	G	BRANCH CONNECTOR	VEE CONNECTOR
RUN	BRANCH								
1 1/2	1	14504-3	14605-3	2.94	1.75	3.19	1.75	0.4	1
1 1/2	1 1/4	14500-4	14605-4	3.25	2.00	3.06	2	0.4	1.2
1 1/2	1 1/2	14500-5	14605-5	3.25	2.00	4.56	2	0.6	2.1
2	1	14504-3	14606-3	3.25	1.75	3.25	1.75	0.4	1.2
2	1 1/4	14506-4	14606-4	3.50	2.00	4.31	2	0.6	1.2
2	1 1/2	14500-5	14606-5	3.50	2.00	3.25	2	0.6	2.8
2	2	14506-6	14606-6	3.56	2.00	3.25	2	1.6	2.6
2 1/2	1	14507-3	14607-3	3.44	1.75	3.81	1.75	0.4	0.9
2 1/2	1 1/4	14506-4	14607-4	3.69	2.00	4.56	2	0.6	1.2
2 1/2	1 1/2	14507-5	14607-5	3.75	2.00	4.25	2	1.3	1.5
2 1/2	2	14507-6	14607-6	3.88	2.00	3.44	2	1.4	2.6
2 1/2	2 1/2	14500-7	14607-7	3.88	2.00	3.5	2.5	1	3.3
3	1	14507-3	14608-3	3.75	1.75	4.19	1.75	0.4	1.1
3	1 1/4	14506-4	14608-4	4.12	2.00	4.19	1	0.6	1.3
3	1 1/2	14507-5	14608-5	4.12	2.00	4.88	2	1.3	1.6
3	2	14508-6	14608-6	4.19	2.00	3.88	2.12	1.3	2.7
3	2 1/2	14508-7	14608-7	4.69	2.50	4.31	2.5	1.7	3.1
3	3	14508-8	14608-8	4.81	2.50	4.25	2.5	2.3	5
3 1/2	1 1/4	14509-4	14609-4	4.31	2.00	5	2	0.6	1.3
3 1/2	1 1/2	14507-5	14609-5	4.44	2.00	5.06	2	1.3	1.6
3 1/2	2	14509-6	14609-6	4.44	2.00	4.56	2	1.3	2.6
3 1/2	2 1/2	14508-7	14609-7	5.00	2.50	3.94	2	1.7	3.5
3 1/2	3	14508-8	14609-8	5.19	2.50	4.88	1.75	2.3	5.3
3 1/2	3 1/2	14509-9	14609-9	5.62	3.00	4.88	3	4.6	5.8
4	1 1/2	14510-5	14610-5	4.62	2.00	6.12	2	1.4	1.6
4	2	14509-6	14610-6	4.69	2.00	4.44	2	1.3	2.8
4	2 1/2	14510-7	14610-7	5.31	2.50	4.44	2	1.6	2.9
4	3	14510-8	14610-8	5.31	2.50	5.69	2.5	2.8	5.3
4	3 1/2	14500-9	14610-9	5.94	3.00	5.25	3	2.4	5.5
4	4	14500-10	14610-10	6.44	3.50	7.38	2.25	3.4	6.5
5	2 1/2	14510-7	14612-7	5.94	2.50	6.94	2.5	1.6	2.9
5	3	14511-8	14612-8	5.88	2.50	6.62	2.5	2.2	5.6
5	3 1/2	14500-9	14612-9	6.56	3.00	6.62	3	2.4	8.8
5	4	14500-10	14612-10	7.06	3.50	8	2.3	3.4	6.5
5	5	14500-12	14612-12	7.69	4.00	7.75	2.75	6	12
6	2 1/2	14500-7	14613-7	6.00	2.00	7.62	2.5	1	2.9
6	3	14511-8	14613-8	6.56	2.50	7.31	2.5	2.2	5.6
6	3 1/2	14500-9	14613-9	7.19	3.00	7.38	3	2.4	5.5
6	4	14500-10	14613-10	7.69	3.50	8.62	2.25	3.4	6.5
6	5	14500-12	14613-12	8.25	4.00	8.38	2.75	6	12
6	6	14500-13	14613-13	8.31	4.00	8.69	3.25	6.5	14.3

230 kV Aluminum Tee and Vee Connectors

DOSSERT® TYPE WT-AA, WTA-75-AA, WTA-80-AA Welded Tee

Material

Aluminum Alloy

Notes

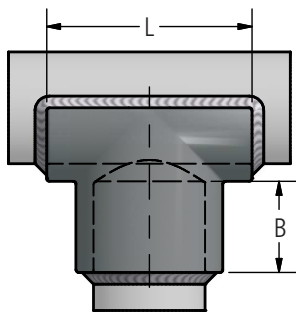
1. For a welded tee at 75° for 1" to 1" pipe order: WTA100-100-75-AA.
2. For a welded tee at 80° for 1" to 1" pipe order: WTA100-100-80-AA.



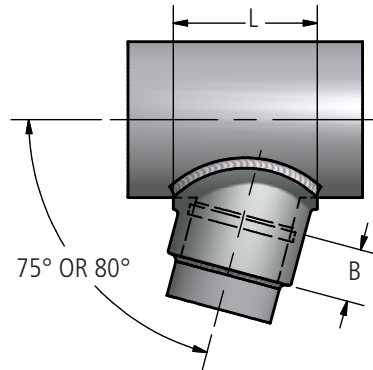
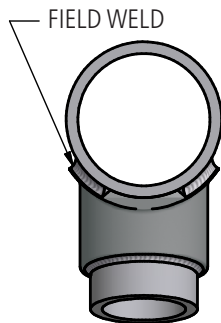
WT-AA



WTA-AA



WT-AA



WTA-AA

Ordering Information

CATALOG NUMBER			SPS		DIMENSIONS IN INCHES	
75 DEGREE	80 DEGREE	90 DEGREE	RUN	TAP	B	L
WTA75-75-75-AA	WTA75-75-80-AA	WT75-75-AA	3/4	3/4	3/4	2 1/8
WTA100-75-75-AA	WTA100-75-80-AA	WT100-75-AA	1	3/4	3/4	2 1/8
WTA100-100-75-AA	WTA100-100-80-AA	WT100-100-AA	1	1	3/4	2 1/4
WTA125-75-75-AA	WTA125-75-80-AA	WT125-75-AA	1 1/4	3/4	3/4	2 1/8
WTA125-100-75-AA	WTA125-100-80-AA	WT125-100-AA	1 1/4	1	3/4	2 1/4
WTA125-125-75-AA	WTA125-125-80-AA	WT125-125-AA	1 1/4	1 1/4	1	2 1/2
WTA125-250-75-AA	WTA125-250-80-AA	WT125-250-AA	1 1/4	2 1/2	1 1/2	3 1/2
WTA150-75-75-AA	WTA150-75-80-AA	WT150-75-AA	1 1/2	3/4	3/4	2 1/8
WTA150-100-75-AA	WTA150-100-80-AA	WT150-100-AA	1 1/2	1	3/4	2 1/4
WTA150-125-75-AA	WTA150-125-80-AA	WT150-125-AA	1 1/2	1 1/4	1	2 1/2
WTA150-150-75-AA	WTA150-150-80-AA	WT150-150-AA	1 1/2	1 1/2	1	2 3/4
WTA150-200-75-AA	WTA150-200-80-AA	WT150-200-AA	1 1/2	1 1/2	1 1/4	3 11/16
WTA200-75-75AA	WTA200-75-80-AA	WT200-75-AA	2	3/4	3/4	2 1/8
WTA200-100-75-AA	WTA200-100-80-AA	WT200-100-AA	2	1	3/4	2 1/4
WTA200-125-75-AA	WTA200-125-80-AA	WT200-125-AA	2	1 1/4	1	2 1/2
WTA200-150-75-AA	WTA200-150-80-AA	WT200-150-AA	2	1 1/2	1	2 3/4
WTA200-200-75-AA	WTA200-200-80-AA	WT200-200-AA	2	2	1 1/4	3 1/4
WTA200-300-75-AA	WTA200-300-80-AA	WT200-300-AA	2	3	1 3/4	4 3/8
WTA200-400-75-AA	WTA200-400-80-AA	WT200-400-AA	2	4	2 1/4	4 7/8
WTA250-75-75-AA	WTA250-75-80-AA	WT250-75-AA	2 1/2	3/4	3/4	2 1/8
WTA250-100-75-AA	WTA250-100-80-AA	WT250-100-AA	2 1/2	1	3/4	2 1/4
WTA250-125-75-AA	WTA250-125-80-AA	WT250-125-AA	2 1/2	1 1/4	1	2 1/2



230 kV Aluminum Welded Tee and Vee Connectors

DOSSERT®

TYPE WT-AA, WTA-75-AA, WTA-80-AA

Welded Tee

Ordering Information

CATALOG NUMBER			SPS		DIMENSIONS IN INCHES	
75 DEGREE	80 DEGREE	90 DEGREE	RUN	TAP	B	L
WTA250-150-75-AA	WTA250-150-80-AA	WT250-150-AA	2 1/2	1 1/2	1	2 3/4
WTA250-200-75-AA	WTA250-200-80-AA	WT250-200-AA	2 1/2	2	1 1/4	3 1/4
WTA250-250-75-AA	WTA250-250-80-AA	WT250-250-AA	2 1/2	2 1/2	1 1/2	3 3/4
WTA300-75-75-AA	WTA300-75-80-AA	WT300-75-AA	3	3/4	3/4	2 1/8
WTA300-100-75-AA	WTA300-100-80-AA	WT300-100-AA	3	1	3/4	2 1/4
WTA300-125-75-AA	WTA300-125-80-AA	WT300-125-AA	3	1 1/4	1	2 1/2
WTA300-150-75-AA	WTA300-150-80-AA	WT300-150-AA	3	1 1/2	1	2 3/4
WTA300-200-75-AA	WTA300-200-80-AA	WT300-200-AA	3	2	1 1/4	3 1/4
WTA300-250-75-AA	WTA300-250-80-AA	WT300-250-AA	3	2 1/2	1 1/2	3 3/4
WTA300-300-75-AA	WTA300-300-80-AA	WT300-300-AA	3	3	1 3/4	4 3/8
WTA300-350-75-AA	WTA300-350-80-AA	WT300-350-AA	3	3 1/2	2	4 7/8
WTA300-400-75-AA	WTA300-400-80-AA	WT300-400-AA	3	4	2 1/4	5 3/8
WTA300-500-75-AA	WTA300-500-80-AA	WT300-500-AA	3	5	2 3/4	6 7/16
WTA350-75-75-AA	WTA350-75-80-AA	WT350-75-AA	3 1/2	3/4	3/4	2 1/8
WTA350-100-75-AA	WTA350-100-80-AA	WT350-100-AA	3 1/2	1	3/4	2 1/4
WTA350-125-75-AA	WTA350-125-80-AA	WT350-125-AA	3 1/2	1 1/4	1	2 1/2
WTA350-150-75-AA	WTA350-150-80-AA	WT350-150-AA	3 1/2	1 1/2	1	2 3/4
WTA350-200-75-AA	WTA350-200-80-AA	WT350-200-AA	3 1/2	2	1 1/4	3 1/4
WTA350-250-75-AA	WTA350-250-80-AA	WT350-250-AA	3 1/2	2 1/2	1 1/2	3 3/4
WTA350-300-75-AA	WTA350-300-80-AA	WT350-300-AA	3 1/2	3	1 3/4	4 3/8
WTA350-350-75-AA	WTA350-350-80-AA	WT350-350-AA	3 1/2	3 1/2	2	4 7/8
WTA400-75-75-AA	WTA400-75-80-AA	WT400-75-AA	4	3/4	3/4	2 1/8
WTA400-100-75-AA	WTA400-100-80-AA	WT400-100-AA	4	1	3/4	2 1/4
WTA400-125-75-AA	WTA400-125-80-AA	WT400-125-AA	4	1 1/4	1	2 1/2
WTA400-150-75-AA	WTA400-150-80-AA	WT400-150-AA	4	1 1/2	1	2 3/4
WTA400-200-75-AA	WTA400-200-80-AA	WT400-200-AA	4	2	1 1/4	3 1/4
WTA400-250-75-AA	WTA400-250-80-AA	WT400-250-AA	4	2 1/2	1 1/2	3 3/4
WTA400-300-75-AA	WTA400-300-80-AA	WT400-300-AA	4	3	1 3/4	4 3/8
WTA400-350-75-AA	WTA400-350-80-AA	WT400-350-AA	4	3 1/2	2	4 7/8
WTA400-400-75-AA	WTA400-400-80-AA	WT400-400-AA	4	4	2 1/4	5 3/8
WTA500-100-75-AA	WTA500-100-80-AA	WT500-100-AA	5	1	3/4	2 1/4
WTA500-125-75-AA	WTA500-125-80-AA	WT500-125-AA	5	1 1/4	1	2 1/2
WTA500-150-75-AA	WTA500-150-80-AA	WT500-150-AA	5	1 1/2	1	2 3/4
WTA500-200-75-AA	WTA500-200-80-AA	WT500-200-AA	5	2	1 1/4	3 1/4
WTA500-250-75-AA	WTA500-250-80-AA	WT500-250-AA	5	2 1/2	1 1/2	3 3/4
WTA500-300-75-AA	WTA500-300-80-AA	WT500-300-AA	5	3	1 3/4	4 3/8
WTA500-350-75-AA	WTA500-350-80-AA	WT500-350-AA	5	3 1/2	2	4 7/8
WTA500-400-75-AA	WTA500-400-80-AA	WT500-400-AA	5	4	2 1/4	5 3/8
WTA500-500-75-AA	WTA500-500-80-AA	WT500-500-AA	5	5	2 3/4	6 7/16
WTA600-100-75-AA	WTA600-100-80-AA	WT600-100-AA	6	1	3/4	2 1/4
WTA600-125-75-AA	WTA600-125-80-AA	WT600-125-AA	6	1 1/4	1	2 1/2
WTA600-150-75-AA	WTA600-150-80-AA	WT600-150-AA	6	1 1/2	1	2 3/4
WTA600-200-75-AA	WTA600-200-80-AA	WT600-200-AA	6	2	1 1/4	3 1/4
WTA600-250-75-AA	WTA600-250-80-AA	WT600-250-AA	6	2 1/2	1 1/2	3 3/4
WTA600-300-75-AA	WTA600-300-80-AA	WT600-300-AA	6	3	1 3/4	4 3/8
WTA600-350-75-AA	WTA600-350-80-AA	WT600-350-AA	6	3 1/2	2	4 7/8
WTA600-400-75-AA	WTA600-400-80-AA	WT600-400-AA	6	4	2 1/4	5 3/8
WTA600-500-75-AA	WTA600-500-80-AA	WT600-500-AA	6	5	2 3/4	6 7/16
WTA600-600-75-AA	WTA600-600-80-AA	WT600-600-AA	6	6	3 1/4	8 1/4
WTA800R-400-75-AA	WTA800R-400-80-AA	WT800R-400-AA	8" O.D.	4	2 3/4	5 3/8
WTA800R-500-75-AA	WTA800R-500-80-AA	WT800R-500-AA	8" O.D.	5	2 3/4	6 7/16
WTA800R-800R-75-AA	WTA800R-800R-80-AA	WT800R-800R-AA	8" O.D.	8" O.D.	2 3/4	10
WTA800-500-75-AA	WTA800-500-80-AA	WT800-500-AA	8"	5	2 3/4	7 5/16

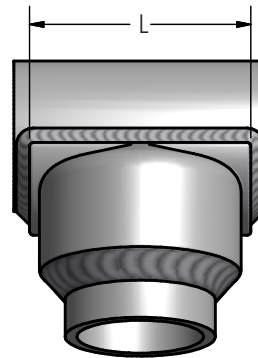
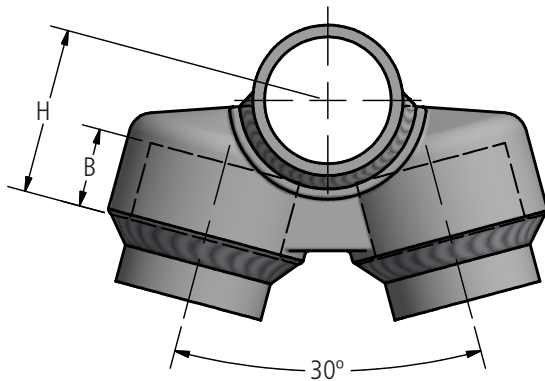
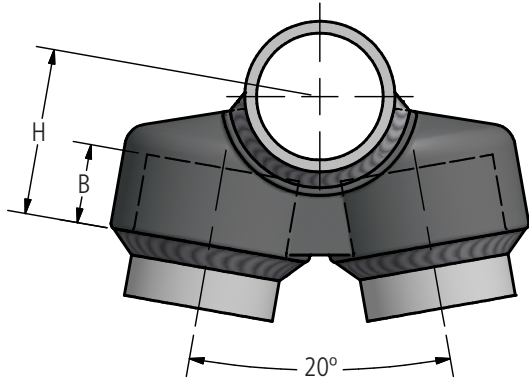
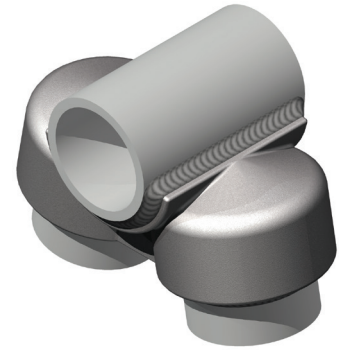
230 kV Aluminum Tee and Vee Connectors

DOSSERT®

TYPE WVBP-20-AA, WVBP-30-AA Welded Vee Connector for Aluminum Tubing

Material

Aluminum Alloy



Ordering Information

CATALOG NUMBER		SPS		DIMENSIONS IN INCHES		
20 DEGREE	30 DEGREE	RUN	TAP	B	H	L
WVBP100-50-20-AA	WVBP100-50-30-AA	1	1/2	1/2	1-1/8	1-7/8
WVBP100-75-20-AA	WVBP100-75-30-AA	1	3/4	3/4	1-5/8	2-1/8
WVBP125-75-20-AA	WVBP125-75-30-AA	1-1/4	3/4	3/4	1-3/4	2-1/8
WVBP125-100-20-AA	WVBP125-100-30-AA	1-1/4	1	3/4	1-3/4	2-1/4
WVBP125-125-20-AA	WVBP125-125-30-AA	1-1/4	1-1/4	1	2	2-5/8
WVBP150-75-20-AA	WVBP150-75-30-AA	1-1/2	3/4	3/4	1-7/8	2-1/8
WVBP150-100-20-AA	WVBP150-100-30-AA	1-1/2	1	3/4	1-7/8	2-1/4
WVBP150-125-20-AA	WVBP150-125-30-AA	1-1/2	1-1/4	1	2-1/8	2-5/8
WVBP150-150-20-AA	WVBP150-150-30-AA	1-1/2	1-1/2	1	2-3/8	2-7/8
WVBP200-100-20-AA	WVBP200-100-30-AA	2	1	3/4	2-1/8	2-1/4
WVBP200-125-20-AA	WVBP200-125-30-AA	2	1-1/4	1	2-3/8	2-5/8
WVBP200-150-20-AA	WVBP200-150-30-AA	2	1-1/2	1	2-3/8	2-7/8
WVBP200-200-20-AA	WVBP200-200-30-AA	2	2	1-1/4	2-5/8	3-1/2
WVBP250-100-20-AA	WVBP250-100-30-AA	2-1/2	1	3/4	2-3/8	2-1/4
WVBP250-125-20-AA	WVBP250-125-30-AA	2-1/2	1-1/4	1	2-5/8	2-5/8
WVBP250-150-20-AA	WVBP250-150-30-AA	2-1/2	1-1/2	1	2-5/8	2-7/8

DOSSERT®

TYPE WVBP-20-AA, WVBP-30-AA

Ordering Information

CATALOG NUMBER		SPS		DIMENSIONS IN INCHES		
20 DEGREE	30 DEGREE	RUN	TAP	B	H	L
WVBP250-200-20-AA	WVBP250-200-30-AA	2-1/2	2	1-1/4	2-7/8	3-1/2
WVBP250-250-20-AA	WVBP250-250-30-AA	2-1/2	2-1/2	1-1/2	3-1/8	4
WVBP300-125-20-AA	WVBP300-125-30-AA	3	1-1/4	1	2-15/16	2-5/8
WVBP300-150-20-AA	WVBP300-150-30-AA	3	1-1/2	1	2-15/16	2-7/8
WVBP300-200-20-AA	WVBP300-200-30-AA	3	2	1-1/4	3-3/16	3-1/2
WVBP300-250-20-AA	WVBP300-250-30-AA	3	2-1/2	1-1/2	3-7/16	4
WVBP300-300-20-AA	WVBP300-300-30-AA	3	3	1-3/4	3-11/16	4-5/8
WVBP350-100-20-AA	WVBP350-100-30-AA	3-1/2	1	3/4	2-5/8	2-1/4
WVBP350-150-20-AA	WVBP350-150-30-AA	3-1/2	1-1/2	1	3-1/4	2-7/8
WVBP350-200-20-AA	WVBP350-200-30-AA	3-1/2	2	1-1/4	3-1/2	3-1/2
WVBP350-250-20-AA	WVBP350-250-30-AA	3-1/2	2-1/2	1-1/2	3-3/4	4
WVBP350-300-20-AA	WVBP350-300-30-AA	3-1/2	3	1-3/4	4	4-5/8
WVBP350-350-20-AA	WVBP350-350-30-AA	3-1/2	3-1/2	2	4-1/4	5-1/8
WVBP400-150-20-AA	WVBP400-150-30-AA	4	1-1/2	1	3-1/2	2-7/8
WVBP400-200-20-AA	WVBP400-200-30-AA	4	2	1-1/4	3-3/4	3-1/2
WVBP400-250-20-AA	WVBP400-250-30-AA	4	2-1/2	1-1/2	4	4
WVBP400-300-20-AA	WVBP400-300-30-AA	4	3	1-3/4	4-1/4	4-5/8
WVBP400-350-20-AA	WVBP400-350-30-AA	4	3-1/2	2	4-1/2	5-1/8
WVBP400-400-20-AA	WVBP400-400-30-AA	4	4	2-1/4	4-3/4	5-7/8
WVBP500-150-20-AA	WVBP500-150-30-AA	5	1-1/2	1	4	2-7/8
WVBP500-200-20-AA	WVBP500-200-30-AA	5	2	1-1/4	4-1/4	3-1/2
WVBP500-250-20-AA	WVBP500-250-30-AA	5	2-1/2	1-1/2	4-1/2	4
WVBP500-300-20-AA	WVBP500-300-30-AA	5	3	1-3/4	4-3/4	4-5/8
WVBP500-350-20-AA	WVBP500-350-30-AA	5	3-1/2	2	5	5-1/8
WVBP500-400-20-AA	WVBP500-400-30-AA	5	4	2-1/4	5-1/4	5-7/8
WVBP500-500-20-AA	WVBP500-500-30-AA	5	5	2-3/4	5-3/4	6-15/16
WVBP600-200-20-AA	WVBP600-200-30-AA	6	2	1-1/4	4-13/16	3-1/2
WVBP600-250-20-AA	WVBP600-250-30-AA	6	2-1/2	1-1/2	5-1/16	4
WVBP600-300-20-AA	WVBP600-300-30-AA	6	3	1-3/4	5-5/16	4-5/8
WVBP600-350-20-AA	WVBP600-350-30-AA	6	3-1/2	2	5-9/16	5-1/8
WVBP600-400-20-AA	WVBP600-400-30-AA	6	4	2-1/4	5-13/16	5-7/8
WVBP600-500-20-AA	WVBP600-500-30-AA	6	5	2-3/4	6-5/16	6-15/16
WVBP600-600-20-AA	WVBP600-600-30-AA	6	6	3-1/4	6-13/16	8