

CB-30-3AL External Coil Bracket

Features

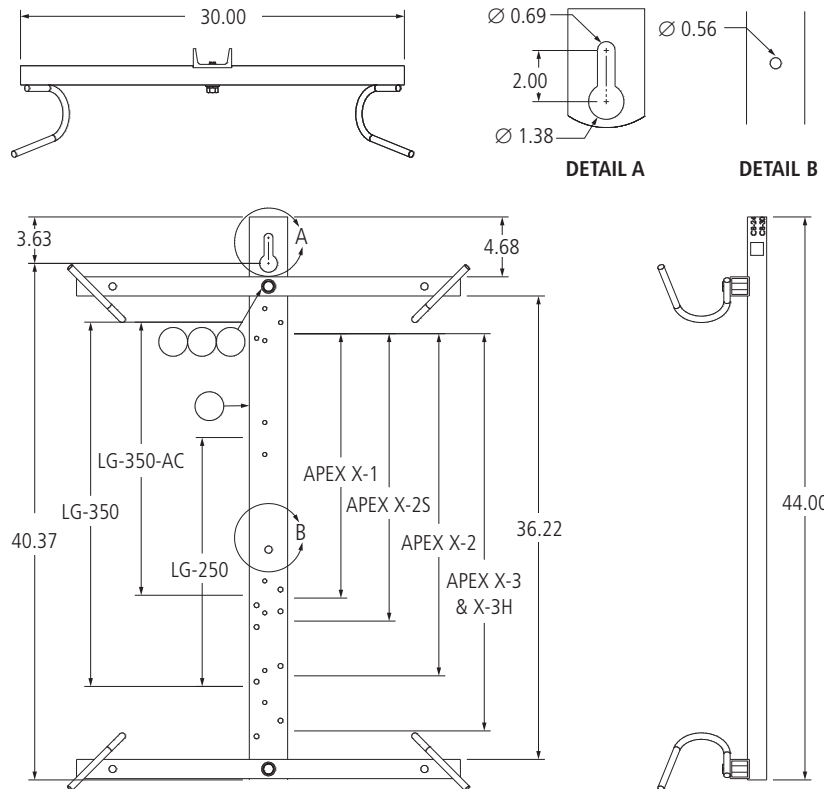
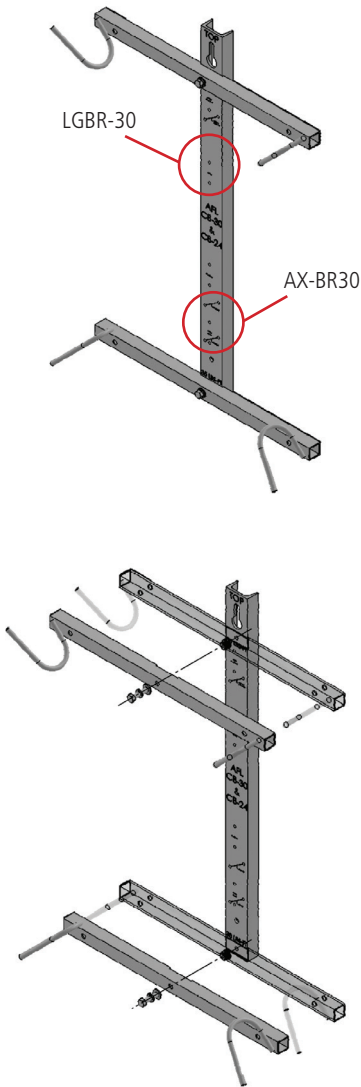
- Stores extra length of AFL-ADSS® cable
- Aluminum Material
- For use with AFL's Apex® models (X-2, X-2S, X-3, X-3H) LG-250, LG-350 and LG-350-AC sealed splice closures
- Shipped in three pieces and requires field assembly
- Can be bolted or banded to structure
- Mounting bracket available for Apex® and LG Series Sealed Splice Closures

Estimated Cable Storage Lengths and Loading Capacity

CABLE O.D. (IN)	ESTIMATED CABLE LENGTH (FT)	LOADING CAPACITY (LBS)
0.50	250	400
0.75	150	
1.00	100	

NOTE: For cable storage capacity greater than either of the values in table, please contact AFL.

Installation Diagram



INSTALLATION NOTES:

1. Place tube assemblies in location as shown at right.
2. Stainless steel bolts to be torqued to 35 lbs-ft.

Ordering Information

MODEL	AFL NO.
CB-30-3AL ADSS Coil Storage Bracket for LG Series Sealed Splice Closures	CB-30-3AL
Pole/wall mount kit for Apex X-2 and X-2S Sealed Splice Closures	AX-BR30
Pole/wall mount kit for Apex X-3 and X-3H Sealed Splice Closures	AX-BR33
Mounting Bracket for LG Series Sealed Splice Closures	LGBR-30

CB-44-3AL External Coil Bracket

Features

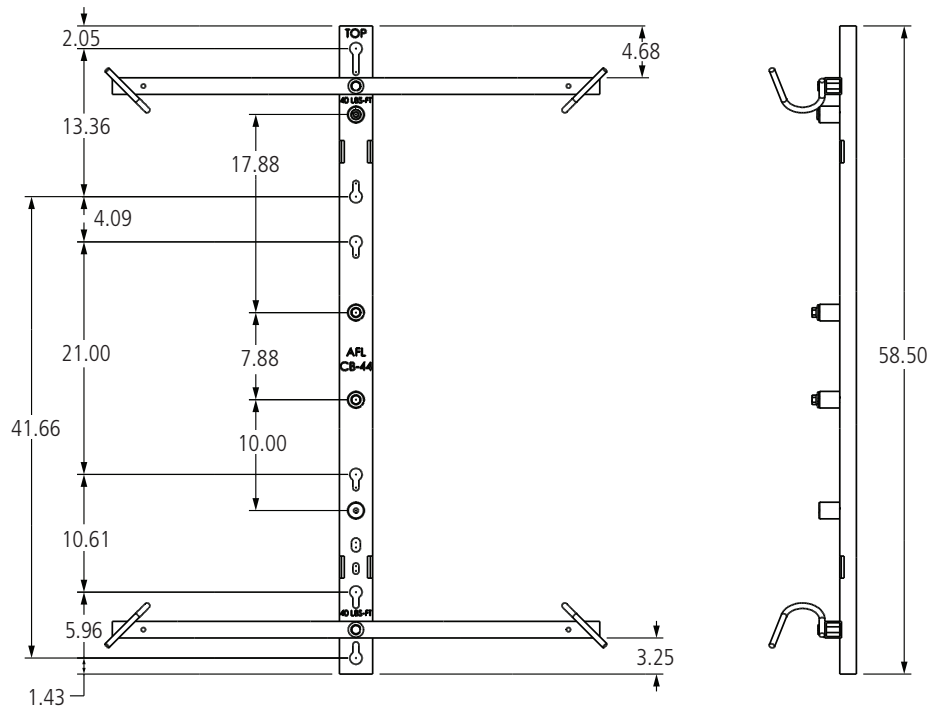
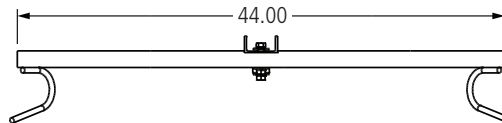
- Stores extra length of ADSS or OPGW
- Aluminum Material
- For use with SB01 and Opti-Guard splice enclosures
- Shipped in three pieces, requires field assembly
- Can be bolted or banded to structure

Estimated Cable Storage Lengths and Loading Capacity

CABLE O.D. (IN)	ESTIMATED CABLE LENGTH (FT)	LOADING CAPACITY (LBS)
0.50	400	400
0.75	200	
1.00	150	

NOTE: For cable storage capacity greater than either of the values in table, please contact AFL.

Dimensions



MOUNTING POINTS FOR SB01

MOUNTING POINTS FOR OPTIGUARD

NOTE:
Place tube assemblies in location as shown.

Ordering Information

MODEL	AFL NO.
CB-44-3AL External Coil Bracket	CB-44-3AL