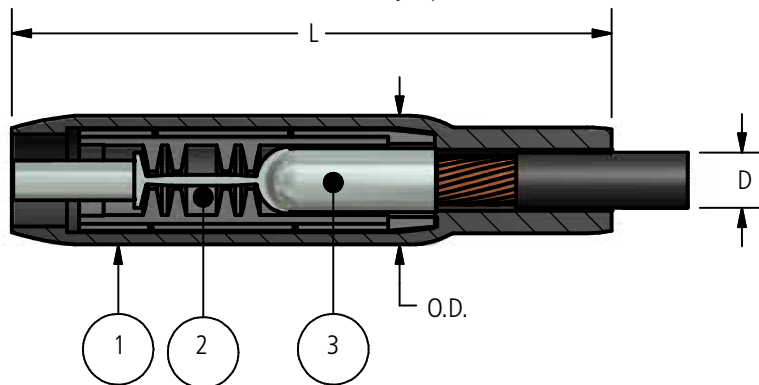


DOSSERT[®] Types ML-R123, ML-P123 MICON Limiter Assembly

The MICON limiter assembly is designed to establish a fusible connecting point at a MICON outlet. The cable is simply installed by making a compression connection on the socket end. The MICON connecting end is then secured through use of the cable receptacle Type MA and tapered compression sleeve Type C. MICON limiters which have cleared a faulted or over loaded circuit can be readily replaced.



Elements

TYPE NO.	NAME
ML-1	1 Insulating Sleeve
ML-R2	2 Shell
ML-P2	
ML-R3	3 Limiter
ML-P3	

Ordering Information

CATALOG NUMBER		CABLE SIZE	RECOMMENDED MICON OUTLET CONNECTION		INDENTS IN CABLE SOCKET	DIMENSIONS IN INCHES		
FOR RUBBER INSULATED CABLE*	FOR PAPER INSULATED CABLE		CABLE RECEPTACLE	COMPRESSION SLEEVE		D	L	O.D.
ML21-R123	ML21-P123	4/0 STR	MA-21	C21-21	1	Diameter over cable insulation to be specified on order.	9 7/8	1 7/8
ML25-R123	ML25-P123	250 MCM	MA-25	C25-25	1		9 7/8	1 7/8
ML30-R123	ML30-P123	300 MCM	MA-30	C30-30	2		10 3/8	2 3/16
ML35-R123	ML35-P123	350 MCM	MA-40	C40-35	2		10 3/8	2 3/16
ML40-R123	ML40-P123	400 MCM	MA-40	C40-40	2		10 3/8	2 3/16
ML50-R123	ML50-P123	500 MCM	MA-50	C50-50	2		11 3/4	2 3/8
ML75-R123	ML75-P123	750 MCM	MA-50-88	C50-50	2		12 1/4	2 9/16

* Closed end of sockets are sealed to make sockets oil tight.