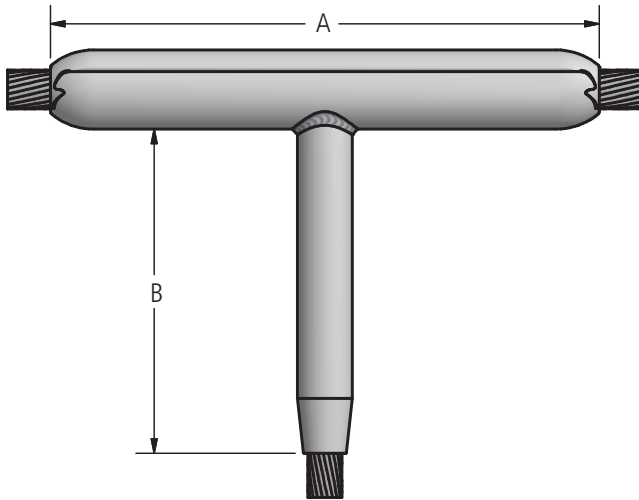


# Type 2900 Series

Substation tee connector is designed for limited space application as found in substations. Run and tap lengths are shorter than conventional tee connectors which saves space and minimizes birdcaging problems. Tee connector is installed with standard AFL hex dies.



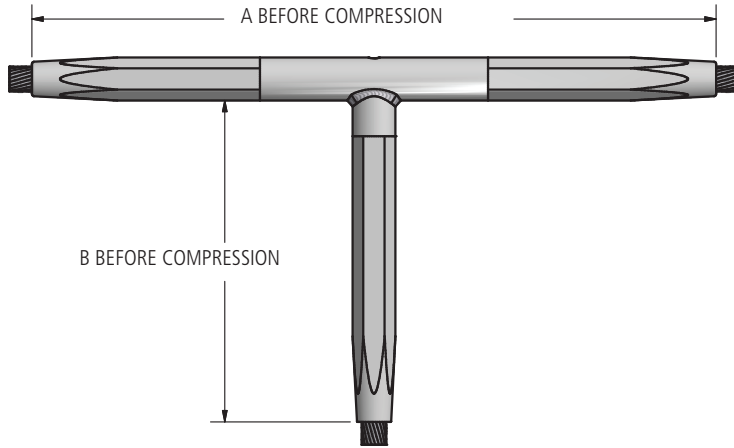
## Ordering Information

| Catalog Number | Conductor Diameter Range |                 |                                |          |             |              |                                |          | Dimensins (inches) |      |
|----------------|--------------------------|-----------------|--------------------------------|----------|-------------|--------------|--------------------------------|----------|--------------------|------|
|                | Run                      |                 |                                |          | Tap         |              |                                |          | A                  | B    |
|                | Diameter                 | AAC             | ACSR                           | Die Size | Diameter    | AAC          | ACSR                           | Die Size |                    |      |
| 2976.1-76.1    | 0.609-0.743              | 300 - 397.5     | 266.8 (18/1) - 397.5 (18/1)    | 76AH     | 0.609-0.743 | 300 - 397.5  | 266.8 (18/1) - 397.5 (18/1)    | 76AH     | 8.40               | 3.58 |
| 2920.1-20.1    | 0.718-0.840              | 397.5 - 500     | 336.4 (26/7) - 477 (18/1)      | 20AH     | 0.629-0.724 | 300 - 397.5  | 266.8 (6/7) - 336.4 (26/7)     | 20AH     | 8.50               | 3.88 |
| 2920.1-20.2    | 0.718-0.840              | 397.5 - 500     | 336.4 (26/7) - 477 (18/1)      | 20AH     | 0.721-0.814 | 397.5 - 500  | 336.4 (30/7) - 477 (18/1)      | 20AH     | 8.50               | 3.88 |
| 2924.1-24.1    | 0.780-0.933              | 477 - 650       | 397.5 (26/7) - 556.5 (26/7)    | 24AH     | 0.793-0.928 | 477 - 650    | 397.5 (30/7) - 556.5 (26/7)    | 24AH     | 8.50               | 4.22 |
| 2927.1-27.1    | 0.932-1.020              | 700 - 750       | 556.5 (30/7) - 666.6 (24/7)    | 27AH     | 0.929-1.025 | 700 - 750    | 556.5 (30/7) - 666.6 (24/7)    | 27AH     | 10.00              | 4.50 |
| 2930.1-30.1    | 1.021-1.196              | 795 - 1033.5    | 715.5 (24/7) - 954 (54/7)      | 30AH     | 1.026-1.196 | 795 - 1033.5 | 715.5 (24/7) - 954 (54/7)      | 30AH     | 10.00              | 5.67 |
| 2934.1-34.1    | 1.197-1.319              | 1113 - 1300     | 1033.5 (45/7) - 1192.5 (45/7)  | 34AH     | 1.186-1.313 | 1113 - 1272  | 1033.5 (36/1) - 1192.5 (45/7)  | 34AH     | 11.30              | 6.03 |
| 2936.1-36.1    | 1.320-1.417              | 1351.5 - 1510.5 | 1192.5 (54/19) - 1351.5 (45/7) | 36AH     | 1.314-1.399 | 1300 - 1431  | 1192.5 (54/19) - 1351.5 (45/7) | 36AH     | 11.50              | 6.29 |
| 2938.1-30.1    | 1.412-1.500              | 1500 - 1590     | 1351.5 (54/19) - 1510.5 (45/7) | 38AH     | 1.026-1.196 | 795 - 1033.5 | 715.5 (24/7) - 954 (54/7)      | 30AH     | 12.00              | 5.67 |
| 2938.1-38.1    | 1.412-1.500              | 1500 - 1590     | 1351.5 (54/19) - 1510.5 (45/7) | 38AH     | 1.399-1.500 | 1500 - 1590  | 1351.5 (54/19) - 1510.5 (45/7) | 38AH     | 12.00              | 6.55 |
| 2940.1-40.1    | 1.496-1.557              | 1750            | 1510.5 (54/19) - 1590 (54/19)  | 40AH     | 1.501-1.630 | 1750 - 2000  | 1510.5 (54/19) - 1780 (84/19)  | 40AH     | 12.50              | 7.02 |
| 2942.1-42.1    | 1.550-1.625              | 2000            | 1780 (84/19)                   | 42AH     | 1.630-1.681 | 2000         | 2034 (72/7)                    | 42AH     | 14.00              | 7.29 |
| 2944.1-44.1    | 1.626-1.843              | 2000 - 2500     | 2034 (72/7) - 2312 (76/19)     | 44AH     | 1.630-1.681 | 2000         | 2034 (72/7)                    | 44AH     | 15.00              | 7.74 |
| 2944.1-44.2    | 1.626-1.842              | 2000 - 2500     | 2034 (72/7) - 2312 (76/19)     | 44AH     | 1.669-1.823 | 2250 - 2500  | 2034 (72/7) - 2312 (76/19)     | 44AH     | 15.00              | 7.74 |
| 2948.1-48.1    | 1.843-1.996              | 2750            | 2515 (76/19)                   | 48AH     | 1.823-1.996 | 2500 - 2750  | 2515 (76/19)                   | 48AH     | 16.00              | 8.77 |

# TYPE 5400 Series

## Tee Connector-Closed Run Compression

For Stranded EC and ACSR Conductions



### Ordering Information

| Catalog Number  | Conductor   |            |            |                 |                     | Die Size Aluminum Hex Die | Dimension in Inches |      |
|-----------------|-------------|------------|------------|-----------------|---------------------|---------------------------|---------------------|------|
|                 | ACSR or AAC | Code Word  | Size KCMIL | Stranding Al/St | Dimension in Inches |                           | A                   | B    |
| 5430.109-30.109 | ACSR        | Stilt      | 715.5      | 24/7            | 1.036               | 30AH                      | 19.12               | 9.44 |
| 5430.109-30.109 | ACSR        | Starling   | 715.5      | 26/7            | 1.051               | 30AH                      | 19.12               | 9.44 |
| 5430.109-30.109 | ACSR        | Coot       | 795        | 36/1            | 1.040               | 30AH                      | 19.12               | 9.44 |
| 5430.109-30.109 | AAC         | Arbutus    | 795        | 37              | 1.026               | 30AH                      | 19.12               | 9.44 |
| 5430.109-30.109 | AAC         | Lilac      | 795        | 61              | 1.028               | 30AH                      | 19.12               | 9.44 |
| 5430.109-30.109 | AAC         | —          | 800        | 37              | 1.031               | 30AH                      | 19.12               | 9.44 |
| 5430.109-30.109 | AAC         | Heliotrope | 800        | 61              | 1.031               | 30AH                      | 19.12               | 9.44 |
| 5430.116-30.116 | ACSR        | Redwing    | 715.5      | 30/19           | 1.081               | 30AH                      | 19.12               | 9.44 |
| 5430.116-30.116 | ACSR        | Tern       | 795        | 45/7            | 1.063               | 30AH                      | 19.12               | 9.44 |
| 5430.116-30.116 | ACSR        | Condor     | 795        | 54/7            | 1.093               | 30AH                      | 19.12               | 9.44 |
| 5430.116-30.116 | ACSR        | Drake      | 795        | 26/7            | 1.108               | 30AH                      | 19.12               | 9.44 |
| 5430.116-30.116 | ACSR        | Cuckoo     | 795        | 24/7            | 1.092               | 30AH                      | 19.12               | 9.44 |
| 5430.116-30.116 | AAC         | Snapdragon | 900        | 61              | 1.094               | 30AH                      | 19.12               | 9.44 |
| 5430.122-30.122 | ACSR        | Mallard    | 795        | 30/19           | 1.140               | 30AH                      | 19.12               | 9.44 |
| 5430.122-30.122 | ACSR        | Ruddy      | 900        | 45/7            | 1.131               | 30AH                      | 19.12               | 9.44 |
| 5430.122-30.122 | ACSR        | Canary     | 900        | 54/7            | 1.162               | 30AH                      | 19.12               | 9.44 |
| 5430.122-30.122 | ACSR        | Catbird    | 954        | 36/1            | 1.140               | 30AH                      | 19.12               | 9.44 |
| 5430.122-30.122 | ACSR        | Rail       | 954        | 45/7            | 1.165               | 30AH                      | 19.12               | 9.44 |
| 5430.122-30.122 | AAC         | Magnolia   | 954        | 37              | 1.124               | 30AH                      | 19.12               | 9.44 |
| 5430.122-30.122 | AAC         | Goldenrod  | 954        | 61              | 1.126               | 30AH                      | 19.12               | 9.44 |
| 5430.122-30.122 | AAC         | Camellia   | 1000       | 61              | 1.152               | 30AH                      | 19.12               | 9.44 |
| 5430.122-30.122 | AAC         | Bluebell   | 1033.5     | 37              | 1.170               | 30AH                      | 19.12               | 9.44 |
| 5430.122-30.122 | AAC         | Larkspur   | 1033.5     | 61              | 1.172               | 30AH                      | 19.12               | 9.44 |

# TYPE 5400 Series

## Tee Connector-Closed Run Compression

### Ordering Information

| Catalog Number  | Conductor      |           |            |                    |                        | Die Size<br>Aluminum<br>Hex Die | Dimension in Inches |       |
|-----------------|----------------|-----------|------------|--------------------|------------------------|---------------------------------|---------------------|-------|
|                 | ACSR or<br>AAC | Code Word | Size KCMIL | Stranding<br>Al/St | Dimension in<br>Inches |                                 | A                   | B     |
| 5430.125-30.125 | ACSR           | Cardinal  | 954        | 54/7               | 1.196                  | 30AH                            | 19.12               | 9.44  |
| 5430.125-30.125 | ACSR           | Tanager   | 1033.5     | 36/1               | 1.186                  | 30AH                            | 19.12               | 9.44  |
| 5434.128-34.128 | ACSR           | Ortolan   | 1033.5     | 45/7               | 1.212                  | 34AH                            | 20.12               | 10.06 |
| 5434.128-34.128 | AAC            | Marigold  | 1113       | 61                 | 1.216                  | 34AH                            | 20.12               | 10.06 |
| 5434.138-34.138 | ACSR           | Bunting   | 1192.5     | 45/7               | 1.302                  | 34AH                            | 20.12               | 10.06 |
| 5434.138-34.138 | ACSR           | Finch     | 1113       | 54/19              | 1.293                  | 34AH                            | 20.12               | 10.06 |
| 5436.144-36.144 | ACSR           | Bittern   | 1272       | 45/7               | 1.345                  | 36AH                            | 21.00               | 10.62 |
| 5436.144-36.144 | ACSR           | Grackle   | 1192.5     | 54/19              | 1.333                  | 36AH                            | 21.00               | 10.62 |
| 5436.144-36.144 | AAC            | Columbine | 1351       | 61                 | 1.340                  | 36AH                            | 21.00               | 10.62 |
| 5436.144-36.144 | AAC            | Carnation | 1431       | 61                 | 1.379                  | 36AH                            | 21.00               | 10.62 |
| 5436.147-36.147 | ACSR           | Pheasant  | 1272       | 54/19              | 1.382                  | 36AH                            | 21.00               | 10.62 |
| 5436.147-36.147 | ACSR           | Dipper    | 1351.5     | 45/7               | 1.386                  | 36AH                            | 21.00               | 10.62 |
| 5436.147-36.147 | ACSR           | —         | 1500       | 91                 | 1.412                  | 36AH                            | 21.00               | 10.62 |
| 5436.147-36.147 | AAC            | Gladiolus | 1510.5     | 61                 | 1.187                  | 36AH                            | 21.00               | 10.62 |
| 5438.156-38.156 | ACSR           | Plover    | 1431       | 54/19              | 1.465                  | 38AH                            | 21.88               | 10.62 |
| 5438.156-38.156 | ACSR           | Nuthatch  | 1510.5     | 45/7               | 1.466                  | 38AH                            | 21.88               | 10.62 |
| 5438.156-38.156 | AAC            | Coreopsis | 1590       | 61                 | 1.250                  | 38AH                            | 21.88               | 10.62 |
| 5438.156-38.156 | AAC            | Dogwood   | 1590       | 91                 | 1.454                  | 38AH                            | 21.88               | 10.62 |
| 5440.162-40.162 | ACSR           | Parrot    | 1510.5     | 54/19              | 1.506                  | 40AH                            | 22.75               | 11.75 |
| 5440.162-40.162 | ACSR           | Lapwing   | 1590       | 45/7               | 1.504                  | 40AH                            | 22.75               | 11.75 |
| 5440.162-40.162 | ACSR           | Falcon    | 1590       | 54/19              | 1.545                  | 40AH                            | 22.75               | 11.75 |
| 5440.162-40.162 | AAC            | Jessamine | 1750       | 61                 | 1.525                  | 40AH                            | 22.75               | 11.75 |
| 5442.178-42.175 | ACSR           | Chukar    | 1780       | 84/19              | 1.602                  | 42AH                            | 23.62               | 12.38 |
| 5442.178-42.175 | ACSR           | —         | 2034       | 72/7               | 1.681                  | 42AH                            | 23.62               | 12.38 |
| 5442.178-42.175 | AAC            | Cowslip   | 2000       | 91                 | 1.630                  | 42AH                            | 23.62               | 12.38 |
| 5444.184-44.184 | ACSR           | Bluebird  | 2156       | 84/19              | 1.762                  | 44AH                            | 26.75               | 12.00 |
| 5444.188-44.188 | ACSR           | Thrasher  | 2312       | 76/19              | 1.802                  | 44AH                            | 26.75               | 12.00 |
| 5444.188-44.188 | AAC            | Lupine    | 2500       | 91                 | 1.823                  | 44AH                            | 26.75               | 12.00 |