

DOSSERT®

TYPE HSC, HS2C, HS3C

Copper Stud Connector for Cable or Wire. HSC connects one conductor to a stud, HS2C connects two conductors to a stud, and HS3C connects three conductors to a stud.

A HERCULON™ variable type connector for joining a cable or a wire to a threaded stud. The stud end of the connector can also be furnished to accommodate a plain stud or pipe.

Material

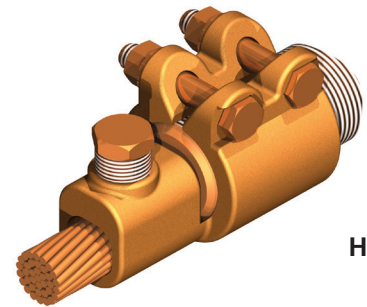
Copper Alloy

Hardware

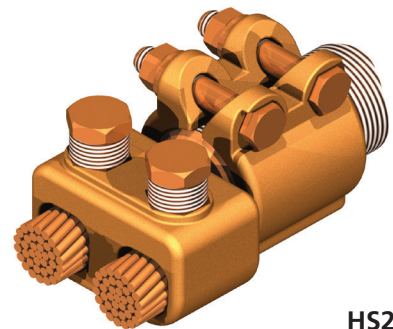
Everdur bolts, nuts and lockwashers

Notes

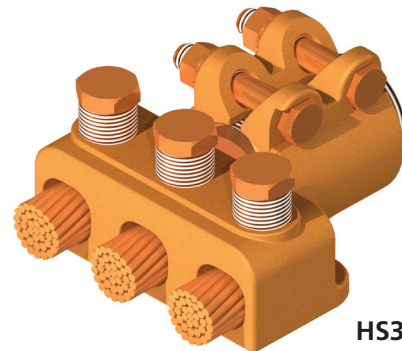
- Other sizes of studs and various threads to the inch can be promptly furnished.
- For two 500 MCM cables to a .75" T16 stud order HS2C75-50-T16
- For three 500 MCM cables to a .75" T16 stud order HS3C75-50-T16
- For two 500 MCM cables to a .75" T0 stud order HS2C75-50-T0



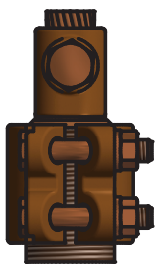
HSC



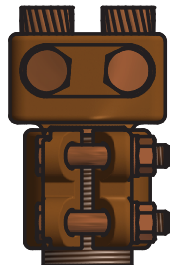
HS2C



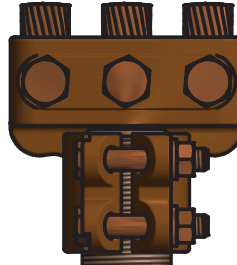
HS3C



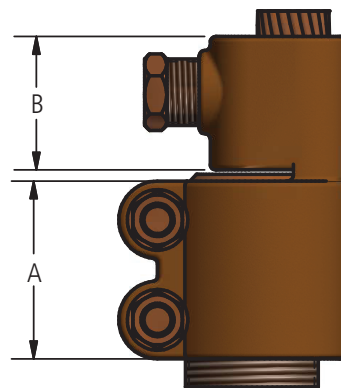
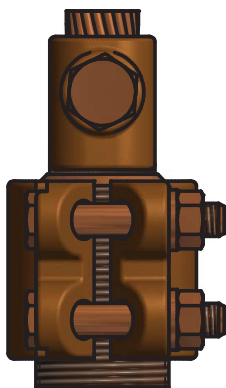
HSC



HS2C



HS3C



DOSSERT®

TYPE HSC, HS2C, HS3C

Copper Stud Connector for Cable or Wire. HSC connects one conductor to a stud, HS2C connects two conductors to a stud, and HS3C connects three conductors to a stud.

Ordering Information

CATALOG NUMBER			STUD DIA	THREADS PER INCH	CABLE RANGE		DIMENSIONS IN INCHES		BOLT SIZE
HSC	HS2C	HS3C			MIN	MAX	A	B	
HSC50-4-T13	HS2C50-4-T13	HS3C50-4-T13	1/2	13	8 Solid	4 Stranded	2	5/8	3/8
HSC50-8-T13	HS2C50-8-T13	HS3C50-8-T13	1/2	13	4 Solid	1 Stranded	2	7/8	3/8
HSC50-13-T13	HS2C50-13-T13	HS3C50-13-T13	1/2	13	1 Stranded	2/0 Stranded	2	1	3/8
HSC50-21-T13	HS2C50-21-T13	HS3C50-21-T13	1/2	13	2/0 Stranded	4/0 Stranded	2	1 1/8	3/8
HSC63-13-T18	HS2C63-13-T18	HS3C63-13-T18	5/8	18	1 Stranded	2/0 Stranded	2	1	3/8
HSC63-21-T18	HS2C63-21-T18	HS3C63-21-T18	5/8	18	2/0 Stranded	4/0 Stranded	2	1 1/8	3/8
HSC63-30-T18	HS2C63-30-T18	HS3C63-30-T18	5/8	18	4/0 Stranded	300 MCM	2	1 9/32	3/8
HSC75-13-T16	HS2C75-13-T16	HS3C75-13-T16	3/4	16	1 Stranded	2/0 Stranded	2	1	3/8
HSC75-21-T16	HS2C75-21-T16	HS3C75-21-T16	3/4	16	2/0 Stranded	4/0 Stranded	2	1 1/8	3/8
HSC75-30-T16	HS2C75-30-T16	HS3C75-30-T16	3/4	16	4/0 Stranded	300 MCM	2	1 9/32	3/8
HSC75-50-T16	HS2C75-50-T16	HS3C75-50-T16	3/4	16	300 MCM	500 MCM	2	1 1/2	3/8
HSC100-13-T14	HS2C100-13-T14	HS3C100-13-T14	1	14	1 Stranded	2/0 Stranded	2	1	3/8
HSC100-21-T14	HS2C100-21-T14	HS3C100-21-T14	1	14	2/0 Stranded	4/0 Stranded	2	1 1/8	3/8
HSC100-30-T14	HS2C100-30-T14	HS3C100-30-T14	1	14	4/0 Stranded	300 MCM	2	1 9/32	3/8
HSC100-50-T14	HS2C100-50-T14	HS3C100-50-T14	1	14	300 MCM	500 MCM	2	1 1/2	3/8
HSC100-75-T14	HS2C100-75-T14	HS3C100-75-T14	1	14	500 MCM	750 MCM	2	1 5/8	3/8
HSC125-21-T12	HS2C125-21-T12	HS3C125-21-T12	1 1/4	12	2/0 Stranded	4/0 Stranded	2	1 1/8	3/8
HSC125-30-T12	HS2C125-30-T12	HS3C125-30-T12	1 1/4	12	4/0 Stranded	300 MCM	2	1 9/32	3/8
HSC125-50-T12	HS2C125-50-T12	HS3C125-50-T12	1 1/4	12	300 MCM	500 MCM	2	1 1/2	3/8
HSC125-75-T12	HS2C125-75-T12	HS3C125-75-T12	1 1/4	12	500 MCM	750 MCM	2	1 5/8	3/8
HSC125-100-T12	HS2C125-100-T12	HS3C125-100-T12	1 1/4	12	750 MCM	1000 MCM	2 3/4	1 15/16	1/2
HSC150-30-T12	HS2C150-30-T12	HS3C150-30-T12	1 1/2	12	4/0 Stranded	300 MCM	2	1 9/32	3/8
HSC150-50-T12	HS2C150-50-T12	HS3C150-50-T12	1 1/2	12	300 MCM	500 MCM	2	1 1/2	3/8
HSC150-75-T12	HS2C150-75-T12	HS3C150-75-T12	1 1/2	12	500 MCM	750 MCM	2	1 5/8	3/8
HSC150-100-T12	HS2C150-100-T12	HS3C150-100-T12	1 1/2	12	750 MCM	1000 MCM	2 3/4	1 15/16	1/2

DOSSERT®

TYPE HSC-90

Copper Stud Connector for Cable or Wire

A HERCULON™ variable type connector for joining a cable or a wire to a threaded stud. The stud end of the connector can also be furnished to accommodate a plain stud or pipe.

Material

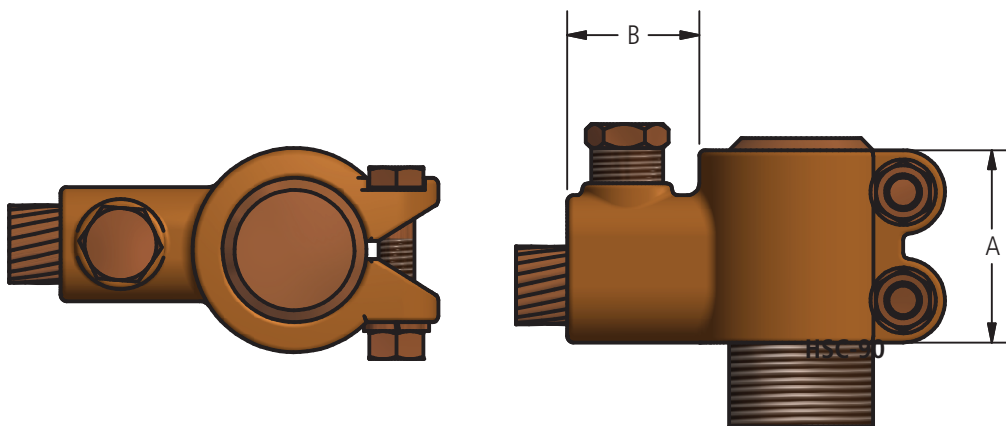
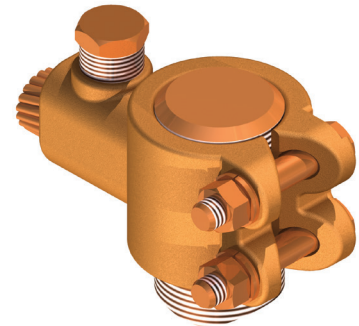
Cast Copper Alloy

Hardware

Everdur bolts, nuts and lockwashers

Notes

- Other sizes of studs and various threads to the inch can be promptly furnished.
- For a 500 MCM cables to a .75" T16 stud at 90° order HSC75-50-90-T16
- For a 500 MCM cable to a .75" T0 stud at 90° order HSC75-50-90-T0



Ordering Information

CATALOG NUMBER	STUD DIA	THREADS PER INCH	CABLE RANGE		DIMENSIONS IN INCHES		BOLT SIZE
			MIN	MAX	A	B	
HSC50-4-90-T13	1/2	13	8 Solid	4 Stranded	2	5/8	3/8
HSC50-8-90-T13	1/2	13	4 Solid	1 Stranded	2	7/8	3/8
HSC50-13-90-T13	1/2	13	1 Stranded	2/0 Stranded	2	1	3/8
HSC50-21-90-T13	1/2	13	2/0 Stranded	4/0 Stranded	2	1 1/8	3/8
HSC63-13-90-T18	5/8	18	1 Stranded	2/0 Stranded	2	1	3/8
HSC63-21-90-T18	5/8	18	2/0 Stranded	4/0 Stranded	2	1 1/8	3/8
HSC63-30-90-T18	5/8	18	4/0 Stranded	300 MCM	2	1 9/32	3/8
HSC75-13-90-T16	3/4	16	1 Stranded	2/0 Stranded	2	1	3/8
HSC75-21-90-T16	3/4	16	2/0 Stranded	4/0 Stranded	2	1 1/8	3/8
HSC75-30-90-T16	3/4	16	4/0 Stranded	300 MCM	2	1 9/32	3/8
HSC75-50-90-T16	3/4	16	300 MCM	500 MCM	2	1 1/2	3/8
HSC100-13-90-T14	1	14	1 Stranded	2/0 Stranded	2	1	3/8
HSC100-21-90-T14	1	14	2/0 Stranded	4/0 Stranded	2	1 1/8	3/8
HSC100-30-90-T14	1	14	4/0 Stranded	300 MCM	2	1 9/32	3/8
HSC100-50-90-T14	1	14	300 MCM	500 MCM	2	1 1/2	3/8
HSC100-75-90-T14	1	14	500 MCM	750 MCM	2	1 5/8	3/8
HSC125-21-90-T12	1 1/4	12	2/0 Stranded	4/0 Stranded	2	1 1/8	3/8
HSC125-30-90-T12	1 1/4	12	4/0 Stranded	300 MCM	2	1 9/32	3/8
HSC125-50-90-T12	1 1/4	12	300 MCM	500 MCM	2	1 1/2	3/8
HSC125-75-90-T12	1 1/4	12	500 MCM	750 MCM	2	1 5/8	3/8
HSC125-100-90-T12	1 1/4	12	750 MCM	1000 MCM	2 3/4	1 15/16	1/2
HSC150-30-90-T12	1 1/2	12	4/0 Stranded	300 MCM	2	1 9/32	3/8
HSC150-50-90-T12	1 1/2	12	300 MCM	500 MCM	2	1 1/2	3/8
HSC150-75-90-T12	1 1/2	12	500 MCM	750 MCM	2	1 5/8	3/8
HSC150-100-90-T12	1 1/2	12	750 MCM	1000 MCM	2 3/4	1 15/16	1/2

DOSSERT®

TYPE NP, NF Copper Contact Nuts

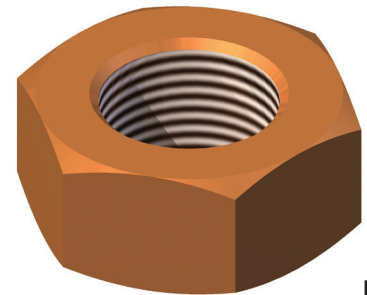
Contact nuts for clamping flat bus bars or terminal pads to threaded studs. For greater contact surface flange nuts, Type NF, provide additional area. Designed to conduct the full rated load of the stud. Large face areas offer a high electrical contact efficiency. All nuts are machined to a high percent full thread to effect maximum thread bearing area.

Material

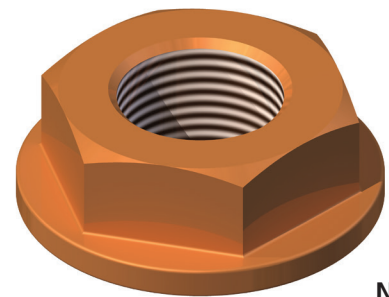
Copper Alloy

Note

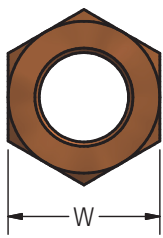
- Other numbers of threads per inch can be furnished for any given stud diameter upon specification.



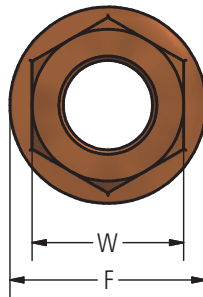
NP



NF



TYPE NP



TYPE NF

Ordering Information

CATALOG NUMBER		STUD DIAMETER	THREADS PER INCH	DIMENSIONS IN INCHES		
NP	NF			F	T	W
NP31	NF31	5/16	18	3/4	1/4	5/8
NP38	NF38	3/8	16	7/8	5/16	3/4
NP50	NF50	1/2	13	1 1/8	3/8	7/8
NP62	NF62	5/8	18	1 3/8	1/2	1 1/16
NP75	NF75	3/4	16	1 5/8	5/8	1 1/4
NP87	NF87	7/8	14	1 13/16	11/16	1 3/8
NP100	NF100	1	14	1 15/16	3/4	1 1/2
NP112	NF112	1 1/8	12	2 1/4	13/16	1 3/4
NP125	NF125	1 1/4	12	2 1/2	7/8	2
NP150	NF150	1 1/2	12	2 15/16	15/16	2 3/8
NP175	NF175	1 3/4	12	2 3/8	1	2 11/16
NP200	NF200	2	12	3 3/4	1 1/8	3
NP250	NF250	2 1/2	12	4 9/26	1 1/4	3 11/16
NP300	NF300	3	12	5 3/8	1 1/2	4 5/16
NP350	NF350	3 1/2	12	6 1/4	1 3/4	5
NP400	NF400	4	12	6 3/4	2	5 1/2

DOSSERT®

TYPE SCX, S2CX

Copper Stud Connector for Cable

SCX connects one cable to one stud and S2CX connects two cables on one stud. A variable conductor stud connector which takes a wide range of cable sizes in line or in a 90° position. The reversible cap permits optimum clamping for all cable sizes within the assigned ranges. In addition, one flat surface on SCX can be machined to accommodate flat bar conductors. SCX can be furnished upon request in type SCX-N with bolt holes to accommodate NEMA standard bar drilling.

Material

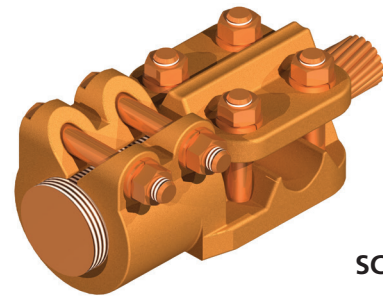
Copper Alloy

Hardware

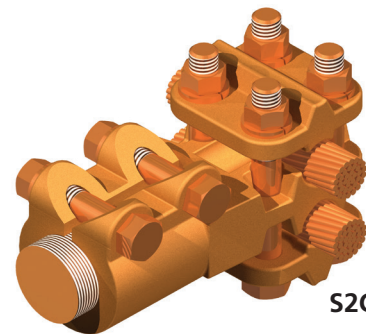
Everdur bolts, nuts and lockwashers

Note

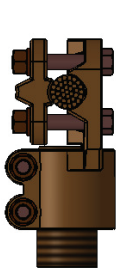
- For a 1" T14 stud, and two 1000 MCM cables order S2CX100-100-T14



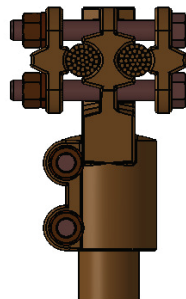
SCX



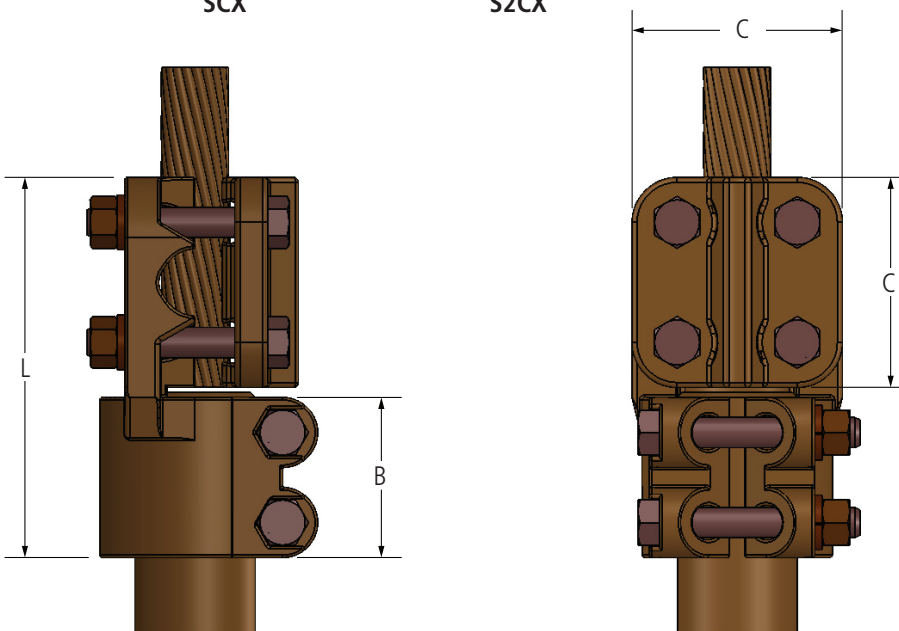
S2CX



SCX



S2CX



continued
→



DOSSERT®

TYPE SCX, S2CX
Copper Stud Connector for Cable

Ordering Information

CATALOG NUMBERS	STUD DIA.	THREADS PER INCH	CABLE RANGE		SPS RANGE		DIMENSIONS IN INCHES			BOLT SIZE	
			SMALL GROOVE	LARGE GROOVE	SMALL GROOVE	LARGE GROOVE	B	C	L	STUD	TAP
SCX50-21-T13	1/2	13	6 Sol.-1 Stranded	1 Stranded-4/0	-	-	2	2	4 5/8	3/8	3/8
SCX75-21-T16	3/4	16	6 Sol.-1 Stranded	1 Stranded-4/0	-	-	2	2	4 5/8	3/8	3/8
SCX75-50-T16	3/4	16	6 Solid-4/0	4/0-500 MCM	3/8	1/2	2	2 1/4	4 7/8	3/8	5/8
SCX75-100-T16	3/4	16	2 Solid-350 MCM	350 MCM-1000 MCM	3/8	3/4	2	2 1/2	5 1/8	3/8	3/8
SCX100-50-T12	1	12	6 Solid-4/0	4/0-500 MCM	3/8	1/2	2	2 1/4	4 7/8	3/8	3/8
SCX100-50-T14	1	14	6 Solid-4/0	4/0-500 MCM	3/8	1/2	2	2 1/4	4 7/8	3/8	3/8
SCX100-50-T0	1	0	6 Solid-4/0	4/0-500 MCM	3/8	1/2	2	2 1/4	4 7/8	3/8	3/8
SCX100-100-T12	1	12	2 Solid-350 MCM	350 MCM-1000 MCM	3/8	3/4	2 1/2	2 7/8	6 3/8	1/2	1/2
SCX100-100-T14	1	14	2 Solid-350 MCM	350 MCM-1000 MCM	3/8	3/4	2 1/2	2 7/8	6 3/8	1/2	1/2
SCX112-50-T12	1 1/8	12	6 Solid-4/0	4/0-500 MCM	3/8	1/2	2	2 1/4	4 7/8	3/8	3/8
SCX112-100-T12	1 1/8	12	2 Solid-350 MCM	350 MCM-1000 MCM	3/8	3/4	2 3/4	2 7/8	6 3/8	1/2	1/2
SCX112-200-T12	1 1/8	12	4/0-795 MCM	795 MCM-2000 MCM	3/8	1 1/4	2 3/4	3 3/8	6 3/4	1/2	1/2
SCX118-200-T0	1 3/16	0	4/0-900 MCM	900 MCM-2000 MCM	3/8	1 1/4	2 3/4	3 3/8	6 5/8	1/2	1/2
SCX125-50-T12	1 1/4	12	6 Solid-4/0	4/0-500 MCM	3/8	1/2	2	2 1/4	4 7/8	3/8	3/8
SCX125-100-T12	1 1/4	12	2 Solid-350 MCM	350 MCM-1000 MCM	3/8	3/4	2 3/4	2 7/8	6 3/8	1/2	1/2
SCX125-200-T12	1 1/4	12	2 Solid-350 MCM	900 MCM-2000 MCM	3/8	1 1/4	2 3/4	3 3/8	6 5/8	1/2	1/2
SCX150-50-T12	1 1/2	12	6 Solid-4/0	4/0-500 MCM	3/8	1/2	2	2 1/4	4 7/8	3/8	3/8
SCX150-100-T12	1 1/2	12	2 Solid-350 MCM	350 MCM-1000 MCM	3/8	3/4	2 3/4	2 7/8	6 3/8	1/2	1/2
SCX150-200-T12	1 1/2	12	4/0-900 MCM	900 MCM-2000 MCM	3/8	1 1/4	2 3/4	3 3/8	6 3/4	1/2	1/2
SCX175-50-T12	1 3/4	12	6 Solid-4/0	4/0-500 MCM	3/8	1/2	2	2 1/4	4 5/8	3/8	3/8
SCX175-100-T12	1 3/4	12	2 Solid-350 MCM	350 MCM-1000 MCM	3/8	3/4	2 3/4	2 7/8	6 1/2	1/2	1/2
SCX175-200-T12	1 3/4	12	4/0-900 MCM	900 MCM-2000 MCM	3/8	1 1/4	2 3/4	3 3/8	6 5/8	1/2	1/2
SCX200-50-T12	2	12	6 Solid-4/0	4/0-500 MCM	3/8	1/2	2 1/4	2 1/4	5 1/4	3/8	3/8
SCX200-100-T12	2	12	2 Solid-350 MCM	350 MCM-1000 MCM	3/8	3/4	2 3/4	2 7/8	6	1/2	1/2
SCX200-200-T12	2	12	4/0-900 MCM	900 MCM-2000 MCM	3/8	1 1/4	2 3/4	3 3/8	6 5/8	1/2	1/2
SCX225-50-T12	2 1/4	12	6 Solid-4/0	4/0-500 MCM	3/8	1/2	2	2 1/4	4 5/8	3/8	3/8
SCX225-100-T12	2 1/4	12	2 Solid-350 MCM	350 MCM-1000 MCM	3/8	3/4	2 3/4	2 7/8	6	1/2	1/2
SCX225-200-T12	2 1/4	12	4/0-900 MCM	900 MCM-2000 MCM	3/8	1 1/4	2 3/4	3 3/8	6 5/8	1/2	1/2
SCX250-50-T12	2 1/2	12	6 Solid-4/0	4/0-500 MCM	3/8	1/2	2	2 1/4	4 5/8	3/8	3/8
SCX250-100-T12	2 1/2	12	2 Solid-350 MCM	350 MCM-1000 MCM	3/8	3/4	2 3/4	2 7/8	6	1/2	1/2
SCX250-200-T12	2 1/2	12	4/0-900 MCM	900 MCM-2000 MCM	3/8	1 1/4	2 3/4	3 3/8	6 5/8	1/2	1/2
SCX300-50-T12	3	12	6 Solid-4/0	4/0-500 MCM	3/8	1/2	2	2 1/4	4 5/8	5/8	3/8
SCX300-100-T12	3	12	2 Solid-350 MCM	350 MCM-1000 MCM	3/8	3/4	2 3/4	2 7/8	6	5/8	1/2
SCX300-200-T12	3	12	4/0-900 MCM	900 MCM-2000 MCM	3/8	1 1/4	2 3/4	3 3/8	6 5/8	5/8	1/2

DOSSERT®

TYPE SP, SP-90

Stud Connector For Tube To Threaded Stud

A connector for joining a tubular bus conductor to a threaded stud. The stud end can be threaded to any specified number of threads per inch or bored for an unthreaded stud.

Material

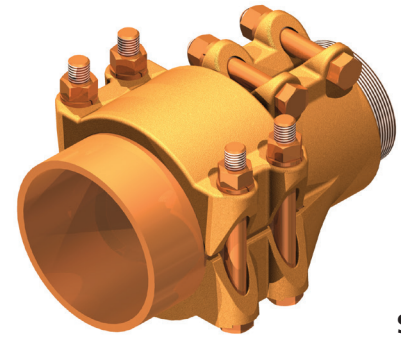
Copper Alloy

Hardware

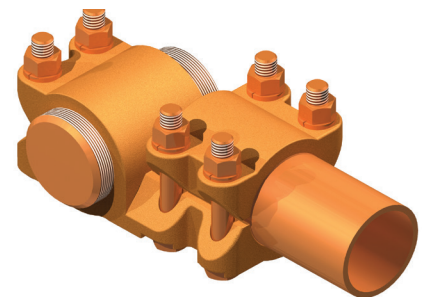
Everdur bolts, nuts and lockwashers

Notes

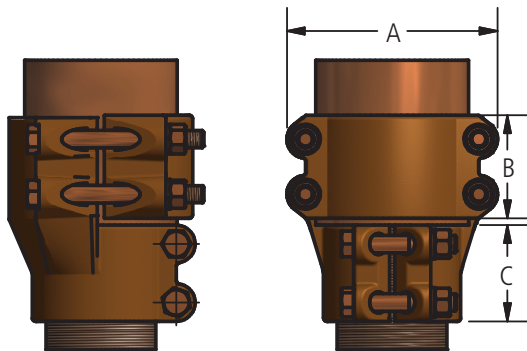
- For Stud threads not listed, add suffix 'T' and the number of threads per inch to category number. Ex: For a 1 1/8" stud to a 1 1/4" bus, 90°, without threads order SP112-125-T0-90.
- For a 1 1/8" stud to a 1 1/4" bus, straight, without threads, order SP112-125-T0.



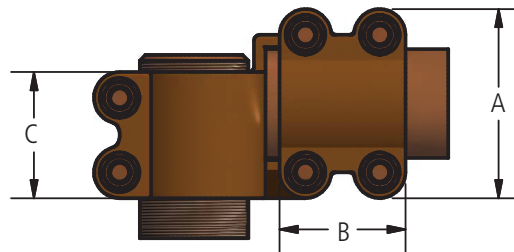
SP



SP-90



SP



SP-90

Ordering Information

CATALOG NUMBER		STUD DIAMETER	THREADS PER INCH	SPS	DIMENSIONS IN INCHES			BOLT SIZE
SP	SP-90				A	B	C	
SP50-50-T13	SP50-50-T13-90	1/2	13	1/2	2 1/4	2	2	3/8
SP50-75-T13	SP50-75-T13-90	1/2	13	3/4	2 7/16	2	2	3/8
SP50-10-T13	SP50-10-T13-90	1/2	13	1	2 11/16	2 1/8	2	3/8
SP75-50-T16	SP75-50-T16-90	3/4	16	1/2	2 1/4	2	2	3/8
SP75-75-T16	SP75-75-T16-90	3/4	16	3/4	2 7/16	2	2	3/8
SP75-100-T16	SP75-100-T16-90	3/4	16	1	2 11/16	2 1/8	2	3/8
SP75-125-T16	SP75-125-T16-90	3/4	16	1 1/4	3 7/16	2 1/2	2 1/4	1/2
SP75-150-T16	SP75-150-T16-90	3/4	16	1 1/2	3 5/8	2 5/8	2 1/4	1/2
SP100-50-T14	SP100-50-T14-90	1	14	1/2	2 1/4	2	2	3/8
SP100-75-T14	SP100-75-T14-90	1	14	3/4	2 7/16	2	2	3/8
SP100-100-T14	SP100-100-T14-90	1	14	1	2 11/16	2 1/8	2	3/8
SP100-125-T14	SP100-125-T14-90	1	14	1 1/4	3 7/16	2 1/2	2 1/4	1/2
SP100-150-T14	SP100-150-T14-90	1	14	1 1/2	3 5/8	2 5/8	2 1/4	1/2
SP100-200-T14	SP100-200-T14-90	1	14	2	4 1/8	2 3/4	2 1/4	1/2
SP112-50-T12	SP112-50-T12-90	1 1/8	12	1/2	2 1/4	2	2	3/8
SP112-75-T12	SP112-75-T12-90	1 1/8	12	3/4	2 7/16	2	2	3/8
SP112-100-T12	SP112-100-T12-90	1 1/8	12	1	2 11/16	2 1/8	2	3/8
SP112-125-T12	SP112-125-T12-90	1 1/8	12	1 1/4	3 7/16	2 1/2	2 1/4	1/2
SP125-200-T12	SP125-200-T12-90	1 1/4	12	2	4 1/8	2 3/4	2 3/4	1/2

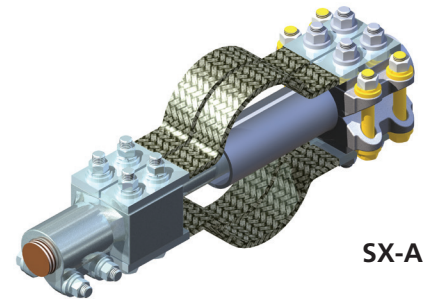
DOSSERT®

TYPE SX-A, SX-A-90

Stud Expansion Connector for Pipe

Both SX-A and SX-A-90 connect copper stud to aluminum bus.

An expansion stud connector for joining a tubular bus to a threaded or unthreaded, transformer or terminal, stud. The movements of the conductors caused by thermal expansion and contraction or settling foundations are efficiently absorbed by the flexible braided linkages. Type SX is furnished with an alignment guide for connections where axial alignment is required.



SX-A

Material

Stud - Copper Alloy

Bus - Aluminum Alloy

Hardware

See image

Notes

For a 90 degree stud connector add -90 to the Catalog Number. EX. For at 1"-T14 stud to 1in SPS connector with 90 degree stud connector order: SX100-100A-T14-90

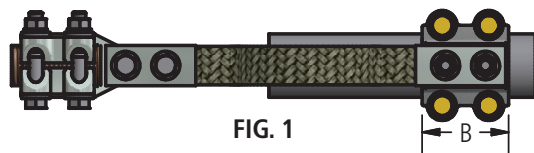


FIG. 1

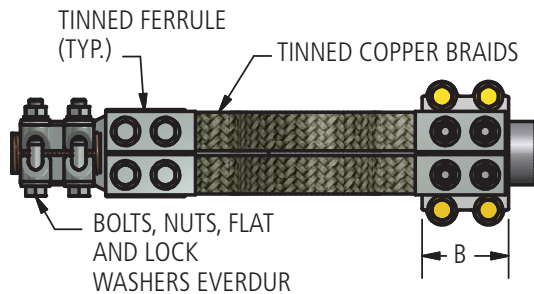
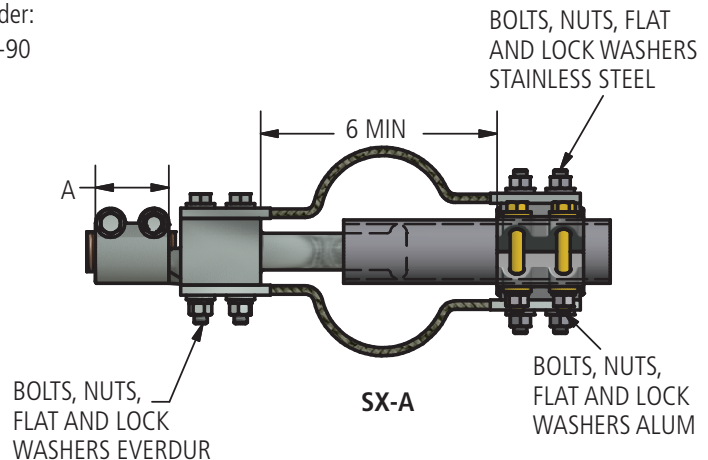


FIG. 2



SX-A



SX-A-90

Ordering Information

CATALOG NUMBER	STUD DIAMETER	THREADS PER INCH	SPS	FIG. NO.	DIMENSIONS IN INCHES		BOLT SIZE	
					A	B	STUD	PIPE
SX100-200A-T14	1	14	2	1	2 3/4	3 1/4	1/2	1/2
SX112-100A-T12	1 1/8	12	1	1	2	3 1/8	3/8	1/2
SX112-200A-T12	1 1/8	12	2	1	2 3/4	3 1/4	1/2	1/2
SX150-150A-T12	1 1/2	12	1 1/2	1	2 3/4	3 1/4	1/2	1/2
SX150-200A-T12	1 1/2	12	2	1	2 3/4	3 1/4	1/2	1/2
SX150-300A-T12	2	12	3	2	2 3/4	3 1/2	1/2	5/8
SX200-350A-T12	2	12	3 1/2	2	2 3/4	3 1/2	1/2	5/8
SX200-400A-T12	2	12	4	2	2 3/4	3 1/2	1/2	5/8
SX250-300A-T12	2 1/2	12	3	2	2	3 1/2	1/2	5/8

DOSSERT® TYPE SX, SX-90, SXP Stud Expansion Connector for Pipe

An expansion stud connector for joining a tubular bus to a threaded or unthreaded transformer stud. The movements of the conductors caused by thermal expansion and contraction or settling foundations are efficiently absorbed by the flexible braided linkages. Type SX is furnished with an alignment guide for connections where axial alignment is required.

SXP does not have an alignment guide.

Material

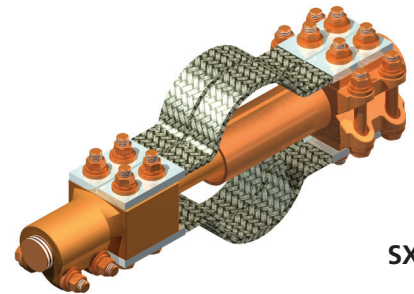
Copper Alloy

Hardware

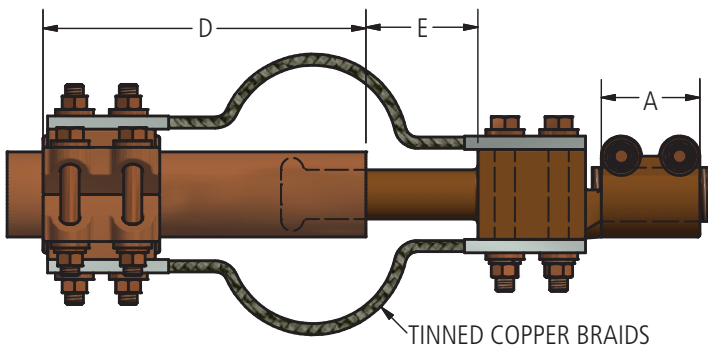
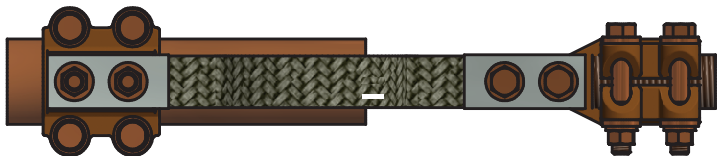
Everdur bolts, nuts and lockwashers

Notes

- For a 90 degree stud connector, add -90 to the Catalog Number. EX. For a 1"-T14 stud to 1" SPS connector with 90 degree stud connector, order: SX100-100-T14-90.
- SXP has no alignment guide. EX. For a 1"-T14 stud to 1" SPS connector with no alignment guide connector, order: SXP100-100-T14.
- For Tin Dipped, add -SN to the Catalog Number: SX100-100-T14-SN.
- For Laminates in place of Braids, add "L" to the Catalog Number: SXL150-125-T12.
- For stud threads not listed, add suffix "T" and the number of threads per inch to catalog number. EX. For a 1" stud to 1" SPS connector with no threads order: SX100-100-T0.



SX



SX-90

DOSSERT® TYPE SX, SX-90, SXP Stud Expansion Connector for Pipe

Ordering Information

CATALOG NUMBER			STUD DIA	THREADS PER INCH	SPS	DIMENSIONS IN INCHES			BOLT SIZE	
SX	SX-90	SXP				A	D	E	STUD	SPS
SX75-75-T16	SX75-75-T16-90	SXP75-75-T16	3/4	16	3/4	2 1/4	6 5/8	1 1/2	1/2	1/2
SX75-100-T16	SX75-100-T16-90	SXP75-100-T16	3/4	16	1	2 1/4	6 3/4	1 1/2	1/2	1/2
SX100-75-T14	SX100-75-T14-90	SXP100-75-T14	1	14	3/4	2 1/4	6 5/8	1 1/2	1/2	1/2
SX100-100-T14	SX100-100-T14-90	SXP100-100-T14	1	14	1	2 1/4	6 3/4	1 1/2	1/2	1/2
SX100-125-T14	SX100-125-T14-90	SXP100-125-T14	1	14	1 1/4	2 1/4	7 5/8	1 1/2	1/2	1/2
SX100-150-T14	SX100-150-T14-90	SXP100-150-T14	1	14	1 1/2	2 1/4	7 5/8	1 1/2	1/2	1/2
SX112-75-T12	SX112-75-T12-90	SXP112-75-T12	1 1/8	12	3/4	2 1/4	6 5/8	1 1/2	1/2	1/2
SX112-100-T12	SX112-100-T12-90	SXP112-100-T12	1 1/8	12	1	2 1/4	6 3/4	1 1/2	1/2	1/2
SX112-125-T12	SX112-125-T12-90	SXP112-125-T12	1 1/8	12	1 1/4	2 1/4	7 5/8	1 1/2	1/2	1/2
SX112-150-T12	SX112-150-T12-90	SXP112-150-T12	1 1/8	12	1 1/2	2 1/4	7 5/8	1 1/2	1/2	1/2
SX125-75-T12	SX125-75-T12-90	SXP125-75-T12	1 1/4	12	3/4	2 3/4	6 5/8	1 1/2	1/2	1/2
SX125-100-T12	SX125-100-T12-90	SXP125-100-T12	1 1/4	12	1	2 3/4	6 3/4	1 1/2	1/2	1/2
SX125-125-T12	SX125-125-T12-90	SXP125-125-T12	1 1/4	12	1 1/4	2 3/4	7 5/8	1 1/2	1/2	1/2
SX125-150-T12	SX125-150-T12-90	SXP125-150-T12	1 1/4	12	1 1/2	2 3/4	7 5/8	1 1/2	1/2	1/2
SX125-200-T12	SX125-200-T12-90	SXP125-200-T12	1 1/4	12	2	2 3/4	8 1/4	1 1/2	1/2	1/2
SX150-75-T12	SX150-75-T12-90	SXP150-75-T12	1 1/2	12	3/4	2 3/4	6 5/8	1 1/2	1/2	1/2
SX150-100-T12	SX150-100-T12-90	SXP150-100-T12	1 1/2	12	1	2 3/4	6 3/4	1 1/2	1/2	1/2
SX150-125-T12	SX150-125-T12-90	SXP150-125-T12	1 1/2	12	1 1/4	2 3/4	7 5/8	1 1/2	1/2	1/2
SX150-150-T12	SX150-150-T12-90	SXP150-150-T12	1 1/2	12	1 1/2	2 3/4	7 5/8	1 1/2	1/2	1/2
SX150-200-T12	SX150-200-T12-90	SXP150-200-T12	1 1/2	12	2	2 3/4	8 1/4	2 1/2	1/2	1/2
SX175-75-T12	SX175-75-T12-90	SXP175-75-T12	1 3/4	12	3/4	2 3/4	6 5/8	1 1/2	1/2	1/2
SX175-100-T12	SX175-100-T12-90	SXP175-100-T12	1 3/4	12	1	2 3/4	6 3/4	1 1/2	1/2	1/2
SX175-125-T12	SX175-125-T12-90	SXP175-125-T12	1 3/4	12	1 1/4	2 3/4	7 5/8	1 1/2	1/2	1/2
SX175-150-T12	SX175-150-T12-90	SXP175-150-T12	1 3/4	12	1 1/2	2 3/4	7 5/8	2 1/2	1/2	1/2
SX175-200-T12	SX175-200-T12-90	SXP175-200-T12	1 3/4	12	2	2 3/4	8 1/4	2 1/2	1/2	1/2
SX200-100-T12	SX200-100-T12-90	SXP200-100-T12	2	12	1	2 3/4	6 3/4	1 1/2	1/2	1/2
SX200-125-T12	SX200-125-T12-90	SXP200-125-T12	2	12	1 1/4	2 3/4	7 5/8	1 1/2	1/2	1/2
SX200-150-T12	SX200-150-T12-90	SXP200-150-T12	2	12	1 1/2	2 3/4	7 5/8	1 1/2	1/2	1/2
SX200-200-T12	SX200-200-T12-90	SXP200-200-T12	2	12	2	2 3/4	8 1/4	2 1/2	1/2	1/2
SX200-250-T12	SX200-250-T12-90	SXP200-250-T12	2	12	2 1/2	2 3/4	8 3/4	2 1/2	1/2	1/2
SX225-350E-T12	SX225-350E-T12-90	SXP225-350E-T12	2 1/4	12	3 1/2	2 3/4	9 1/4	2 1/2	1/2	5/8
SX300-200-T12	SX300-200-T12-90	SXP300-200-T12	3	12	2	3 1/4	8 1/4	2 1/2	5/8	1/2
SX300-250-T12	SX300-250-T12-90	SXP300-250-T12	3	12	2 1/2	3 1/4	8 3/4	2 1/2	5/8	1/2
SX300-300-T12	SX300-300-T12-90	SXP300-300-T12	3	12	3	3 1/4	10	2 1/2	5/8	5/8
SX300-350-T12	SX300-350-T12-90	SXP300-350-T12	3	12	3 1/2	3 1/4	11	2 1/2	5/8	5/8
SX300-400-T12	SX300-400-T12-90	SXP300-400-T12	3	12	4	3 1/4	11 1/2	2 1/2	5/8	5/8

DOSSERT®

TYPE US, U2S, US-90, U2S-90 Copper U-bolt Stud Connector For Cable

Material

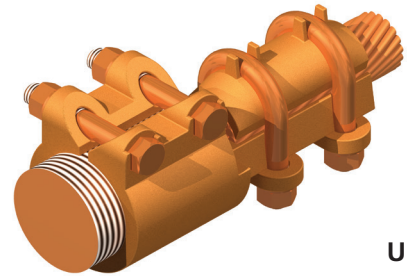
Copper Alloy

Hardware

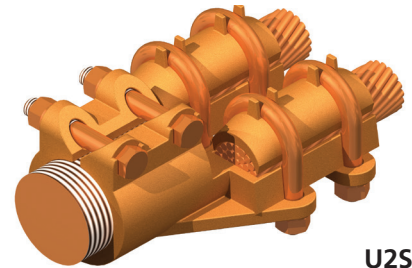
Everdur bolts, nuts, lockwashers, and U-bolts

Notes

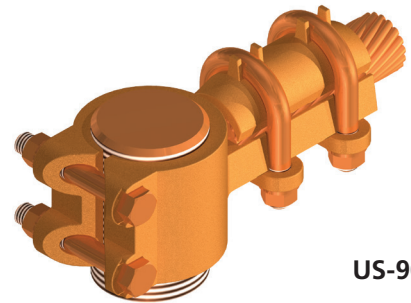
- Can also be readily furnished for plain unthreaded studs.
- For a 90 degree add -90 and for double connector change 'US' to 'U2S'
- For a 1/2" stud, 2/0 Str cable, and 90 degree angle order: US50-13-T13-90
- For a 1/2" stud, two 2/0 Str cable, and 90 degree angle order: U2S50-13-T13-90
- For a 1/2" stud, two 2/0 Str cables and no thread order: U2S50-13-T0



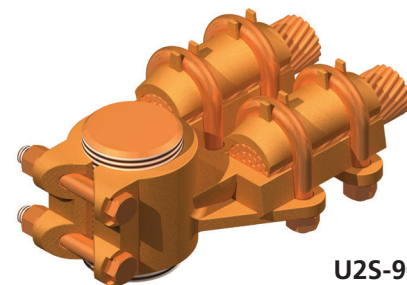
US



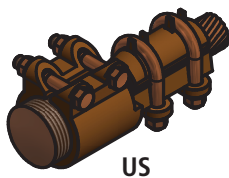
U2S



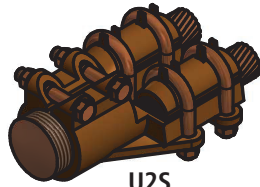
US-90



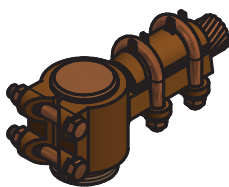
U2S-90



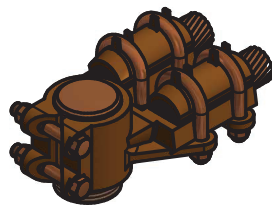
US



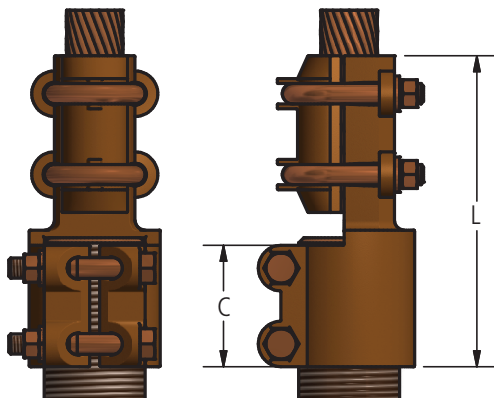
U2S



US-90



U2S-90



DOSSERT®

TYPE US, U2S, US-90, U2S-90 Copper U-bolt Stud Connector For Cable

Ordering Information

CATALOG NUMBER				STUD DIA.	THREADS PER INCH	CABLE RANGE		DIMENSIONS IN INCHES		BOLT SIZE	
STAIGHT		90 DEGREES				MIN	MAX	C	L	STUD	CABLE
1 CABLE	2 CABLES	1 CABLE	2 CABLES								
US50-13-T13	U2S50-13-T13	US50-13-T13-90	U2S50-13-T13-90	1/2	13	6 STR	2/0 STR	2	4 3/4	3/8	5/16
US50-21-T13	U2S50-21-T13	US50-21-T13-90	U2S50-21-T13-90	1/2	13	1 STR	4/0 STR	2	4 7/8	3/8	3/8
US62-13-T18	U2S62-13-T18	US62-13-T18-90	U2S62-13-T18-90	5/8	18	6 STR	2/0 STR	2	4 3/4	3/8	5/16
US62-21-T18	U2S62-21-T18	US62-21-T18-90	U2S62-21-T18-90	5/8	18	1 STR	4/0 STR	2	4 7/8	3/8	3/8
US62-30-T18	U2S62-30-T18	US62-30-T18-90	U2S62-30-T18-90	5/8	18	1/0 STR	300 MCM	2	5	3/8	3/8
US75-13-T16	U2S75-13-T16	US75-13-T16-90	U2S75-13-T16-90	3/4	16	6 STR	2/0 STR	2	4 3/4	3/8	5/16
US75-21-T16	U2S75-21-T16	US75-21-T16-90	U2S75-21-T16-90	3/4	16	1 STR	4/0 STR	2	4 7/8	3/8	3/8
US75-30-T16	U2S75-30-T16	US75-30-T16-90	U2S75-30-T16-90	3/4	16	1/0 STR	300 MCM	2	5	3/8	3/8
US75-50-T16	U2S75-50-T16	US75-50-T16-90	U2S75-50-T16-90	3/4	16	300 MCM	500 MCM	2 3/4	5 1/4	3/8	3/8
US100-21-T14	U2S100-21-T14	US100-21-T14-90	U2S100-21-T14-90	1	14	1 STR	4/0 STR	2	4 7/8	3/8	3/8
US100-30-T14	U2S100-30-T14	US100-30-T14-90	U2S100-30-T14-90	1	14	1/0 STR	300 MCM	2 3/4	5	3/8	3/8
US100-50-T14	U2S100-50-T14	US100-50-T14-90	U2S100-50-T14-90	1	14	300 MCM	500 MCM	2	5 1/4	3/8	3/8
US100-80-T14	U2S100-80-T14	US100-80-T14-90	U2S100-80-T14-90	1	14	500 MCM	800 MCM	2 3/4	6 1/4	1/2	1/2
US125-30-T12	U2S125-30-T12	US125-30-T12-90	U2S125-30-T12-90	1 1/4	12	1/0 STR	300 MCM	2	5	3/8	3/8
US125-50-T12	U2S125-50-T12	US125-50-T12-90	U2S125-50-T12-90	1 1/4	12	300 MCM	500 MCM	2	5 1/4	3/8	3/8
US125-80-T12	U2S125-80-T12	US125-80-T12-90	U2S125-80-T12-90	1 1/4	12	500 MCM	800 MCM	2 3/4	6 1/4	1/2	1/2
US125-100-T12	U2S125-100-T12	US125-100-T12-90	U2S125-100-T12-90	1 1/4	12	750 MCM	1000 MCM	2 3/4	6 1/2	1/2	1/2
US150-30-T12	U2S150-30-T12	US150-30-T12-90	U2S150-30-T12-90	1 1/2	12	1/0 STR	300 MCM	2	5	3/8	3/8
US150-80-T12	U2S150-80-T12	US150-80-T12-90	U2S150-80-T12-90	1 1/2	12	500 MCM	800 MCM	2 3/4	6 1/4	1/2	1/2
US150-100-T12	U2S150-100-T12	US150-100-T12-90	U2S150-100-T12-90	1 1/2	12	750 MCM	1000 MCM	2 3/4	6 1/2	1/2	1/2
US150-150-T12	U2S150-150-T12	US150-150-T12-90	U2S150-150-T12-90	1 1/2	12	1000 MCM	1500 MCM	2 3/4	7	1/2	1/2
US150-200-T12	U2S150-200-T12	US150-200-T12-90	U2S150-200-T12-90	1 1/2	12	1500 MCM	2000 MCM	2 3/4	7 1/2	1/2	1/2
US200-50-T12	U2S200-50-T12	US200-50-T12-90	U2S200-50-T12-90	2	12	300 MCM	500 MCM	2	5 1/4	3/8	3/8
US200-80-T12	U2S200-80-T12	US200-80-T12-90	U2S200-80-T12-90	2	12	500 MCM	800 MCM	2 3/4	6 1/4	1/2	1/2
US200-100-T12	U2S200-100-T12	US200-100-T12-90	U2S200-100-T12-90	2	12	750 MCM	1000 MCM	2 3/4	6 1/2	1/2	1/2
US200-150-T12	U2S200-150-T12	US200-150-T12-90	U2S200-150-T12-90	2	12	1000 MCM	1500 MCM	2 3/4	7	1/2	1/2
US200-200-T12	U2S200-200-T12	US200-200-T12-90	U2S200-200-T12-90	2	12	1500 MCM	2000 MCM	2 3/4	7 1/2	1/2	1/2
US250-50-T12	U2S250-50-T12	US250-50-T12-90	U2S250-50-T12-90	2 1/2	12	300 MCM	500 MCM	2	5 1/4	3/8	3/8
US250-80-T12	U2S250-80-T12	US250-80-T12-90	U2S250-80-T12-90	2 1/2	12	500 MCM	800 MCM	2 3/4	6 1/4	1/2	1/2
US250-100-T12	U2S250-100-T12	US250-100-T12-90	U2S250-100-T12-90	2 1/2	12	750 MCM	1000 MCM	2 3/4	6 1/2	1/2	1/2
US250-150-T12	U2S250-150-T12	US250-150-T12-90	U2S250-150-T12-90	2 1/2	12	1000 MCM	1500 MCM	2 3/4	7	1/2	1/2
US300-50-T12	U2S300-50-T12	US300-50-T12-90	U2S300-50-T12-90	3	12	300 MCM	500 MCM	2	5 1/4	3/8	3/8
US300-80-T12	U2S300-80-T12	US300-80-T12-90	U2S300-80-T12-90	3	12	500 MCM	800 MCM	3	6 1/2	1/2	1/2
US300-100-T12	U2S300-100-T12	US300-100-T12-90	U2S300-100-T12-90	3	12	750 MCM	1000 MCM	3	6 3/4	1/2	1/2
US300-150-T12	U2S300-150-T12	US300-150-T12-90	U2S300-150-T12-90	3	12	1000 MCM	1500 MCM	3	7 1/4	1/2	1/2
US300-200-T12	U2S300-200-T12	US300-200-T12-90	U2S300-200-T12-90	3	12	1500 MCM	2000 MCM	3	7 3/4	1/2	1/2