

Mini-Stringing Bracket

The Mini-Stringing Bracket, or AMSB, is used for short and medium spans of ADSS fiber optic cable as well as Aerial Drop cables. AMSBs are sized to fit specific ADSS diameters. Standard Mini-Stringing Brackets are employed with fitted bushings to provide a good support/groove fit and to prevent the support from damaging the cable. The base of the support is fluted to allow for stringing during installation. The support body has been extended to create a single point of attachment for the single and double ADSS Trunnion.

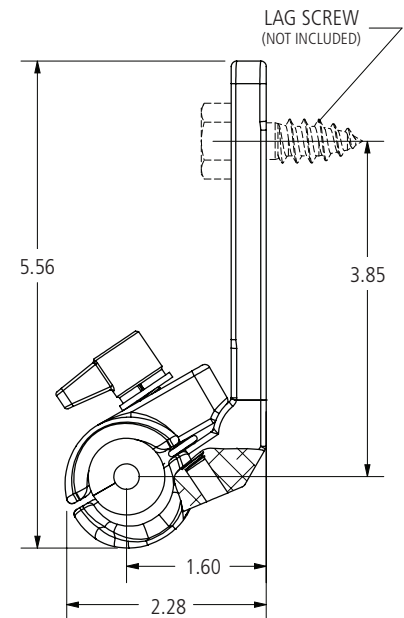
Features

- Maximum one side angle: 15 degrees
- Estimated weight: 0.95 lbs. (0.43 Kg)
- Maximum rated strength: 1,000 lbs.
- Hand tighten bolt to 25 in. lbs. (2.8 N-m)
- Slip load at 4 to 6% of RBS
- Stringing capabilities from fluted base
- Single point of attachment for ATGN and DATGN Trunnion
- BABA compliant

Ordering Information

Description	AFL No.
Aerial Drop 256 maximum line angle =30° (150 ft NESC heavy, 275 ft NESC medium, 550 ft NESC light)	AMSB256
Aerial Drop 307 maximum line angle =30° (220 ft NESC heavy, 400 ft NESC medium, 675 ft NESC light)	AMSB307
ADSS Mini-Span 424 maximum line angle =30° (275 ft NESC heavy, 450 ft NESC medium, 600 ft NESC light)	AMSB424
ADSS Mini-Span 484 maximum line angle =30° (275 ft NESC heavy, 400 ft NESC medium, 525 ft NESC light)	AMSB484
ADSS Mini-Span 535 maximum line angle =30° (350 ft NESC heavy, 550 ft NESC medium, 675 ft NESC light)	AMSB535

* For BABA-compliant part number, add "-BABA" to end of part number.



BABA compliant configurations and part numbers indicated where applicable. For complete list of compliant part numbers, see [AFL BABA Compliant Equipment List](#) on our website.