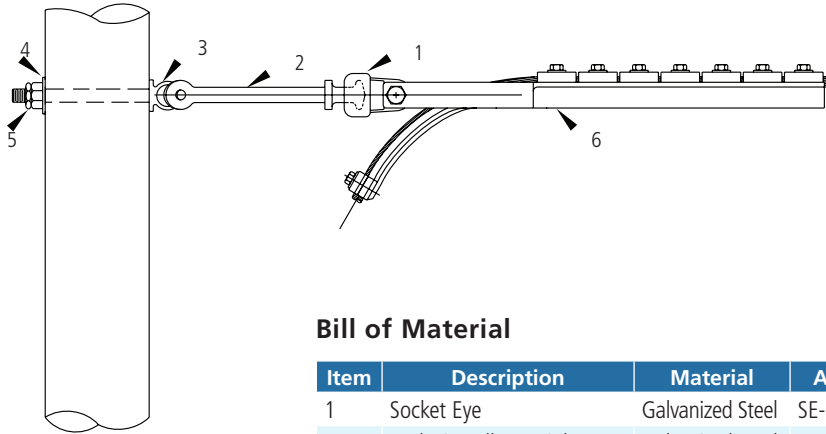


OPGW Single Dead End Wood Pole/H-Frame Configuration Assemblies



AFL NO.

OWPDE1

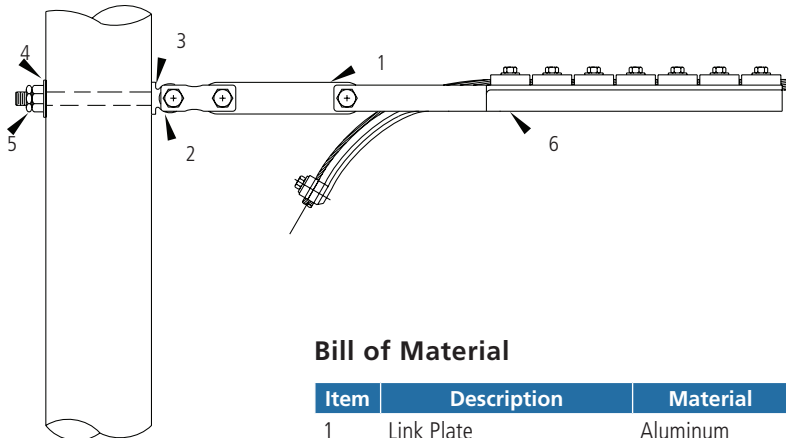
Assembly Code

DNOXXXX

Cable Spec. Number

Bill of Material

Item	Description	Material	AFL or Dwg. No.	Req'd	Remarks
1	Socket Eye	Galvanized Steel	SE-BDE	1	
2	Y-Clevis Ball Hot Link	Galvanized Steel	YCBHL	1	Pin Dia. = 0.75" (19 mm)
3	3/4" Shoulder Eye Bolt	Galvanized Steel	SEB-3/4-14	1	Length = 14"
4	3/4" Washer Nut	Galvanized Steel	WN-3/4	1	
5	3/4" MF Lock Nut	Galvanized Steel	LN-3/4	1	
6	Bolted Deadend (Included)	Aluminum	Determined by AFL	1	



AFL NO.

OWPDE2

Assembly Code

DNOXXXX

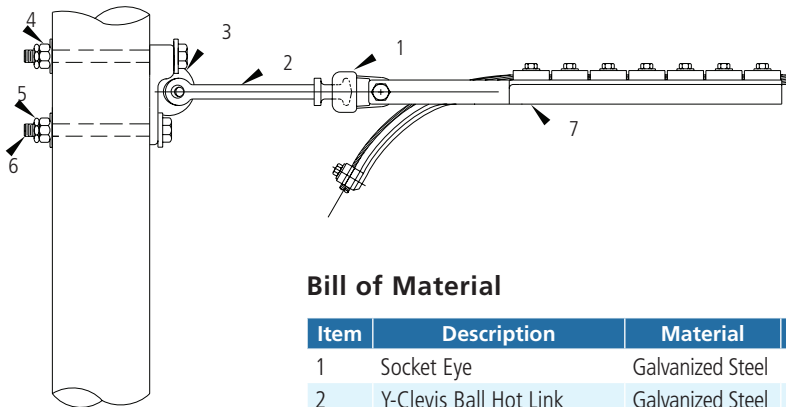
Cable Spec. Number

Bill of Material

Item	Description	Material	AFL or Dwg. No.	Req'd	Remarks
1	Link Plate	Aluminum	ODEL P10	1	
2	Y-Clevis Clevis	Galvanized Steel	YCC	1	Pin Dia. = 0.75" (19 mm)
3	3/4" Shoulder Eye Bolt	Galvanized Steel	SEB-3/4-14	1	Length = 14"
4	3/4" Washer Nut	Galvanized Steel	WN-3/4	1	
5	3/4" MF Lock Nut	Galvanized Steel	LN-3/4	1	
6	Bolted Deadend (Included)	Aluminum	Determined by AFL	1	

continued

OPGW Single Dead End Wood Pole/H-Frame Configuration Assemblies (cont.)



AFL NO.

OWPDE3

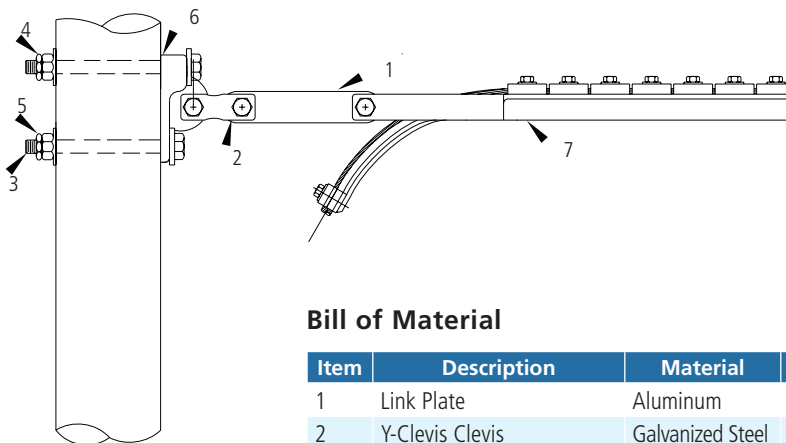
Assembly Code

DNOXXXX

Cable Spec. Number

Bill of Material

Item	Description	Material	AFL or Dwg. No.	Req'd	Remarks
1	Socket Eye	Galvanized Steel	SE-BDE	1	
2	Y-Clevis Ball Hot Link	Galvanized Steel	YCBHL	1	Pin Dia. = 0.75" (19 mm)
3	Eye Plate	Galvanized Steel	EP1	1	
4	3/4" Washer Nut	Galvanized Steel	WN-3/4	2	
5	3/4" MF Lock Nut	Galvanized Steel	LN-3/4	2	
6	3/4" MF Through Bolt	Galvanized Steel	TB-3/4-14	2	Length = 14"
7	Bolted Deadend (Included)	Aluminum	Determined by AFL	1	



AFL NO.

OWPDE4

Assembly Code

DNOXXXX

Cable Spec. Number

Bill of Material

Item	Description	Material	AFL or Dwg. No.	Req'd	Remarks
1	Link Plate	Aluminum	ODELP10	1	
2	Y-Clevis Clevis	Galvanized Steel	YCC	1	Pin Dia. = 0.75" (19 mm)
3	3/4" MF Through Bolt	Galvanized Steel	TB-3/4-14	2	Length = 14"
4	3/4" Washer Nut	Galvanized Steel	WN-3/4	2	
5	3/4" MF Lock Nut	Galvanized Steel	LN-3/4	2	
6	Eye Plate	Galvanized Steel	EP1	1	
7	Bolted Deadend (Included)	Aluminum	Determined by AFL	1	