

LightLink LANSystem 2RU Fiber Termination Patch/Splice Panel

The AFL 2RU Fiber Termination Patch/Splice Panel is designed for use as a rack mount interconnect point where termination and connectivity of up to 72 fibers is desired. The panel design is based on a 2 rack unit height and is provisioned with three LGX® 118 compatible mounting positions that can accommodate adapter plates, XFM optical cassettes, passive optical modules or any combination therein.

Standard 2RU Fiber Termination Patch Panels are available empty for complete field configuration, half loaded with adapter plates, or stubbed with a factory installed circular premise cable (CPC) or loose tube cable assembly.

Standard 2RU Fiber Patch and Splice Panels are available empty for complete field configuration, half loaded with adapter plates and splice trays, or loaded with pigtailed, adapter plates and splice trays.



Specifications

- Designed around Telcordia® GR-63NEBS
- Aluminum construction per ASTM B209
- Durable textured powder coat finish available in black or white
- Universal 19/23" EIA/TIA rack compatibility
- Standard density: up to 36 fiber
- High density: up to 72 fiber
- LGX 118 compatible
- Standard cable stub location right rear exiting upward
- 2RU Patch and Splice Panel holds up to four splice tray kits

Features

- Fits comfortably into new and existing interconnect, cross-connect, customer premise, and co-location environments
- Most common connector styles and types available
- Compatible with industry standard equipment frames
- Modular design
- Slide-out tray with relief cut-outs for simplified connector access
- Optional splice tray kit for on site conversion to patch and splice pane
- Optional front door key lock for heightened protection of internal components

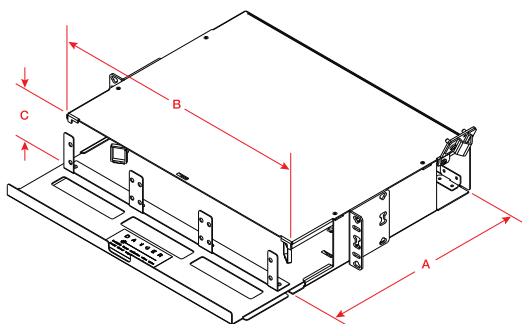
Applications

- Telecommunications closets
- Data Centers
- Customer Premise
- LAN / WAN Networks
- Central Offices / Headends
- Hubs / Cabinets / Remote Terminals
- FTTH / FTTB Networks

Dimensions

Depth (A) in inches	Width (B) in inches	Height (C) in inches	Rack Units	Capacity	Unloaded Weight
13.51	17.00	3.50	2	36 / 72*	5 lbs.

* 72 fiber capacity not available in Patch and Splice configuration.



LGX is a registered trademark of Furukawa Electric North America, Inc.

Telcordia is a registered trademark of Telcordia Technologies, Inc.

LightLink LANSystem 2RU Fiber Termination Patch/Splice Panel

Ordering Information

Select the seven digit AFL panel part number, specify the color, and choose the loading character desired.

When ordering stubbed (S), enter the cable stub length required in meters.

Note: Standard stub is Circular Premise Cable (CPC).

AFL NO.	Color	Loading Character	Cable Stub Length (M)
FM001433	B	S	0010
	W = White B = Black	E = Empty H = Half-loaded with adapters L = Loaded with adapters and pigtails (Patch and Splice only) S = Preterminated with tight buffered CPC cable stub (Riser) (Patch only) R = Preterminated with OSP loose tube cable stub (Patch only)	0002 = 2 meters 0004 = 4 meters etc.

Example: Order number for a panel Black in color, loaded with 24 PSC adapters (4 six packs), connectors and a cable stub 10 meters in length.

Ordering Information

Configuration	AFL No.
CON024P—2 RU Patch Panels—24 Fibers—LGX118	
EMPTY	FM001029
24 PSC adapters (4 Six Packs) 118 LGX (Beige)	FM001433
24 UST adapters (4 Six Packs) 118 LGX	FM001434
24 PST adapters (4 Six Packs) 118 LGX	FM001435
12 UDL (dup) adapters (4 Three Packs) 118 LGX (Blue)	FM001441
12 PDL (dup) adapters (4 Three Packs) 118 LGX (Beige)	FM001442
24 ASC adapters (4 Six Packs) 118 LGX (Green)	FM001439
24 USC adapters (4 Six Packs) 118 LGX (Blue)	FM001438

Configuration	AFL No.
CNS024P—2U Patch and Splice Panels—24 Fibers—LGX118	
EMPTY	FM001414
24 PSC adapters (4 Six Packs) 118 LGX, Splice tray	FM001411
24 UST adapters (4 Six Packs) 118 LGX, Splice tray	FM001412
24 PST adapters (4 Six Packs) 118 LGX, Splice tray	FM001413
12 UDL (dup) adapters (4 three Packs) 118 LGX, Splice tray	FM001419
12 PDL (dup) adapters (4 three Packs) 118 LGX, Splice tray	FM001420
24 ASC adapters (4 Six Packs) 118 LGX, Splice tray	FM001418
24 USC adapters (4 Six Packs) 118 LGX, Splice tray	FM001417

Notes:

- 1) All MM cable is 62.5 µm unless otherwise specified.
- 2) When ordering Empty Termination Patch/Splice Panel, accessories are available for field configuration.

Qualifications

Governing Body	Standard Code
ASTM	ASTMB209
Telcordia	GR-63NEBS

Accessories

Description	AFL No.
Splice Tray Kit: Single Fusion, 12 fiber, 2RU, WME02, WME04 (1 splice tray)	FM002827-1
Splice Tray Kit: Single Fusion, 12 fiber, 2RU, WME02, WME04 (2 splice trays)	FM002827-2
Splice Tray Kit: Single Fusion, 12 fiber, 2RU, WME02, WME04 (3 splice trays)	FM002827-3
Splice Tray Kit: Single Fusion, 12 fiber, 2RU, WME02, WME04 (4 splice trays)	FM002827-4
Splice Tray Kit: Single Fusion, 12 fiber, 2RU, WME02, WME04, Ribbon (1 splice tray)	FM002827-1R
Splice Tray Kit: Single Fusion, 12 fiber, 2RU, WME02, WME04, Ribbon (2 splice trays)	FM002827-2R
Splice Tray Kit: Single Fusion, 12 fiber, 2RU, WME02, WME04, Ribbon (3 splice trays)	FM002827-3R
Splice Tray Kit: Single Fusion, 12 fiber, 2RU, WME02, WME04, Ribbon (4 splice trays)	FM002827-4R
Kit, Lock, for CON / CNS Panels	FM001318

Connector/Adapter Key

Type	Description
ASC	SC—Angle Polish, Simplex, SM
ASF	SC—Angle Polish, Duplex, SM
PSC	SC—Physical Polish, Simplex, MM
PSF	SC—Physical Polish, Duplex, MM
USC	SC—Ultra Polish, Simplex, SM
USF	SC—Ultra Polish, Duplex, SM
PST	ST—Physical Polish, Simplex, MM
UST	ST—Ultra Polish, Simplex, SM
ADL	LC—Angle Polish, Duplex, SM
PLC	LC—Physical Polish, Simplex, MM
PDL	LC—Physical Polish, Duplex, MM
ULC	LC—Ultra Polish, Simplex, SM
UDL	LC—Ultra Polish, Duplex, SM