

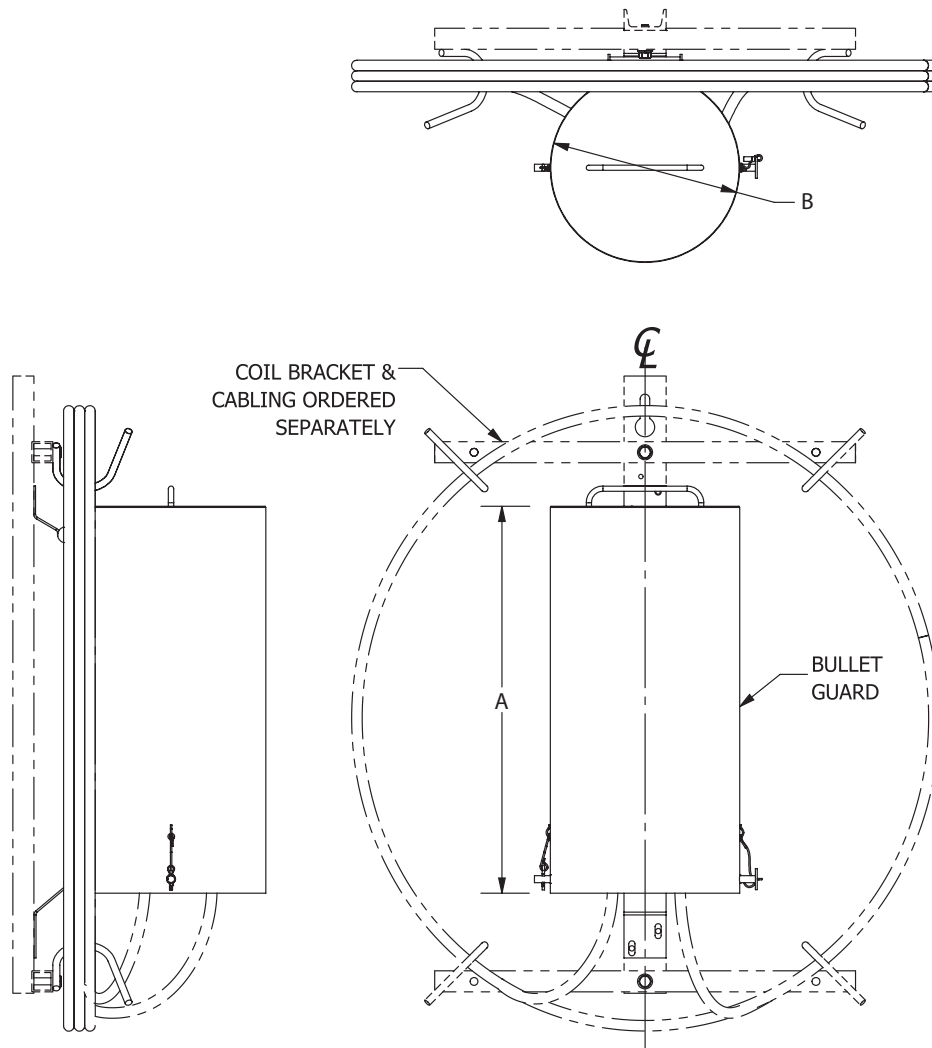
## Bullet Guard for Apex® Splice Closures

AFL's Bullet Guard for Apex Splice Closures is engineered to resist small firearms, even at close range, this guard ensures unparalleled security. Its drop-in hinge design simplifies attachment to the coil bracket, while stainless steel construction with a bead-blasted finish ensures durability. Equipped with an attached lifting hook and hardware retention cables, installation and maintenance are made effortless. The Bullet Guard promises enhanced security and performance for enclosure systems, offering peace of mind to our valued customers.

BPC-AX-BG3 is compatible with AFL's Apex X-3 Sealed Splice Closures.

Previously released BPC-AX-BG2 is compatible with AFL's Apex X-2 and X-2S Sealed Splice Closures.

### Installation Diagram



Bullet Guard



Bullet Guard Exploded View  
(Apex not included)

### Ordering Information

Model	AFL No.	A	B
BPC-AX-BG2 Bullet Guard Canister	BPC-AX-BG2	27.58	13.50
BPC-AX-BG3 Bullet Guard Canister	BPC-AX-BG3	35.33	16.50