

# Xpress Fiber Management® (XFM®) 4RU Patch Panel

The Xpress Fiber Management (XFM) 4RU patch panel is a rack mountable interconnect point specifically designed to manage dense fiber applications. Based on the LGX® intermateability platform, the panel is fully compatible with AFL's XFM Optical Cassette, Poli-MOD® and WDM solutions, offering enhanced management of densities up to 288F using MTP/MPO, single fiber, or patch and splice methodologies. Routing rings on the top and bottom of the front panel provide enhanced cable routing allowing cable assemblies to exit comfortably. This panel can be provisioned with a key lock at the time of order for secure environments.

## Features

- Aluminum construction
- Textured black powder coat finish
- Universal WECO/TIA 19"/23" rack compatibility
- (12) LGX 118 adapter plate/module mounting positions
- Mounting depth adjustable from flush to 8" in 1" increments

## Applications

- Data Centers
- Enterprise Networks
- Telecommunications Closets
- Central Offices/Headends

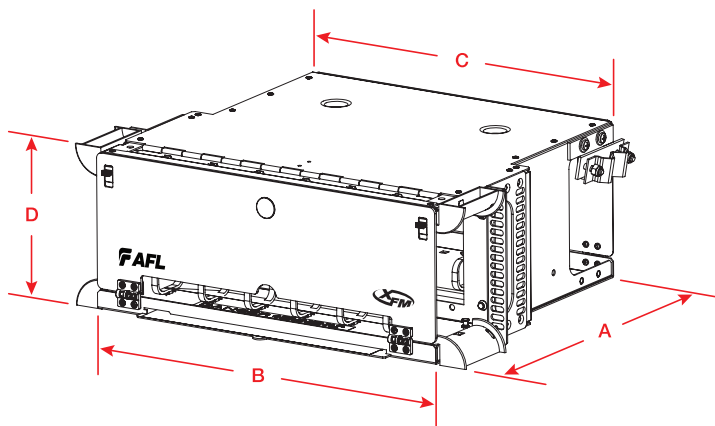


## Specifications

Depth (A) in inches	Front Width (B) in inches	Rear Width (C) in inches	Height (D) in inches	Rack Units	Capacity	Unloaded Weight
15.5	17	15	7	4	(12) LGX 118	9 lbs.

## Ordering Information

Description	Model No.	AFL No.
Xpress Fiber Management 4U Patch Panel, Black, Empty	XFM-4U-B-0	FM001090-B
Xpress Fiber Management 4U Patch Panel, Black, Empty, Key Lock	XFM-4U-B-K	FM001218-B



LGX is a registered trademark of Furukawa Electric North America, Inc.