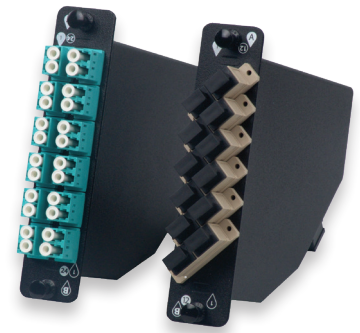


# Xpress Fiber Management® (XFM) MPO Optical Cassettes

AFL's Xpress Fiber Management Optical Cassette product line is a family of preterminated fanout modules that streamline the deployment of optical network infrastructure. The primary function of these products is to break out multi-fiber ribbon connectors to simplex or duplex style connectors for connection to adjacent network elements.

The Xpress Fiber Management Optical Cassette solution features low-loss MPO style trunk cable assemblies. These cassettes are available in the industry standard LGX® footprint as well as a selection of Corning Cable Systems™ footprints to support embedded base installations. All modules feature a durable powder coat finish, and are compatible with all 1U-4U LANSytem platforms. All modules are clearly labeled with a silk-screened "A" and "B" positioning reference to ensure proper polarity is maintained in the network, referenced to the polarity convention being deployed. Method "F" is also available.



## Applications

- Data centers
- LAN, WAN and SAN
- Interoffice cross-connects
- Campus environments

## Features

- 12- and 24-port configurations
- Single-slot LGX packages
- Compatible with LANSytem and WME hardware
- Available in black with rear MPO connection(s)
- SMF, 62.5  $\mu\text{m}$  MMF and 50  $\mu\text{m}$  MMF supported
- SC- and LC-MPO standard configurations
- ST- and FC-MPO configurations available on special order

## Optical Performance Data

Parameter	Single-mode Fiber (OS1)					Multimode Fiber (OM1, OM2 and 50 $\mu\text{m}$ Laser Optimized)		
	LC - MPO	LCAPC - MPO	SC - MPO	SCAPC - MPO	ST - MPO	LC - MPO	SC - MPO	ST - MPO
Max IL (dB)	1.15	1.15	1.3	1.3	1.3	1.15	1.3	1.3
Typical IL (dB)	0.6	0.6	0.6	0.6	0.6	0.6	0.6	0.6
Reflectance (dB)	-55	-65	-55	-65	-55	-30	-30	-30

### Notes:

1. Single-mode IL test wavelengths 1310 nm and 1550 nm
2. Multimode IL test wavelengths 850 nm and 1300 nm
3. Single-mode RL test wavelengths 1310 nm and 1550 nm
4. Multimode RL test wavelengths 850 nm and 1300 nm

## Ordering Information (Method A/B)

Fiber Count, Connector Option	Single-mode		Multimode	
	UPC - MPO (Male, APC)	APC - MPO (Male, APC)	62.5 $\mu\text{m}$ OM1 PC - MPO (Male, PC)	50 $\mu\text{m}$ LOMMF OM4 PC - MPO (Male, PC)
12F, LC	FM000090-B	FM001477-B	FM000092-B	FM000273-B
24F, LC	FM000691-B	FM001653-B	FM000663-B	FM000692-B
12F, SC	FM000087-B	FM001465-B	FM000089-B	FM000272-B
12F, ST	FM000093-B	N/A	FM000095-B	FM000274-B

## Ordering Information (Method F)

Fiber Count, Connector Option	Single-mode		Multimode
	UPC - MPO (Male, APC)	APC - MPO (Male, APC)	50 $\mu\text{m}$ LOMMF OM4 PC - MPO (Male, PC)
12F, LC	FM004756-B	FM004757-B	FM004832-B
24F, LC	FM004653-B	FM004831-B	FM004613-B

LGX is a registered trademark of Furukawa Electric North America, Inc.

Telcordia is a registered trademark of Telcordia Technologies, Inc.

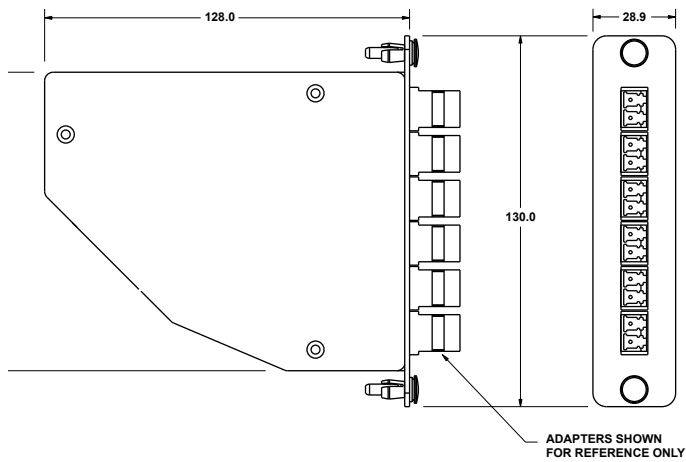
# Xpress Fiber Management® (XFM) MPO Optical Cassettes

## Ordering Information – Accessories

Description	AFL No.
145 mm Adapter Bracket	FM001636

**NOTE:** Allows standard LGX modules, such as AFL's Poli-Mod Interconnect Module and the XFM Optical Cassette, to be mounted into existing Corning Cable Systems™ CCH series and PCH series racks and wall mount products.

## Dimensions



## Qualifications

Governing Body	Standard Code
ANSI/TIA/EIA	ANSI/TIA/EIA-568-B.3
Telcordia	GR-326
Telcordia	GR-1435