

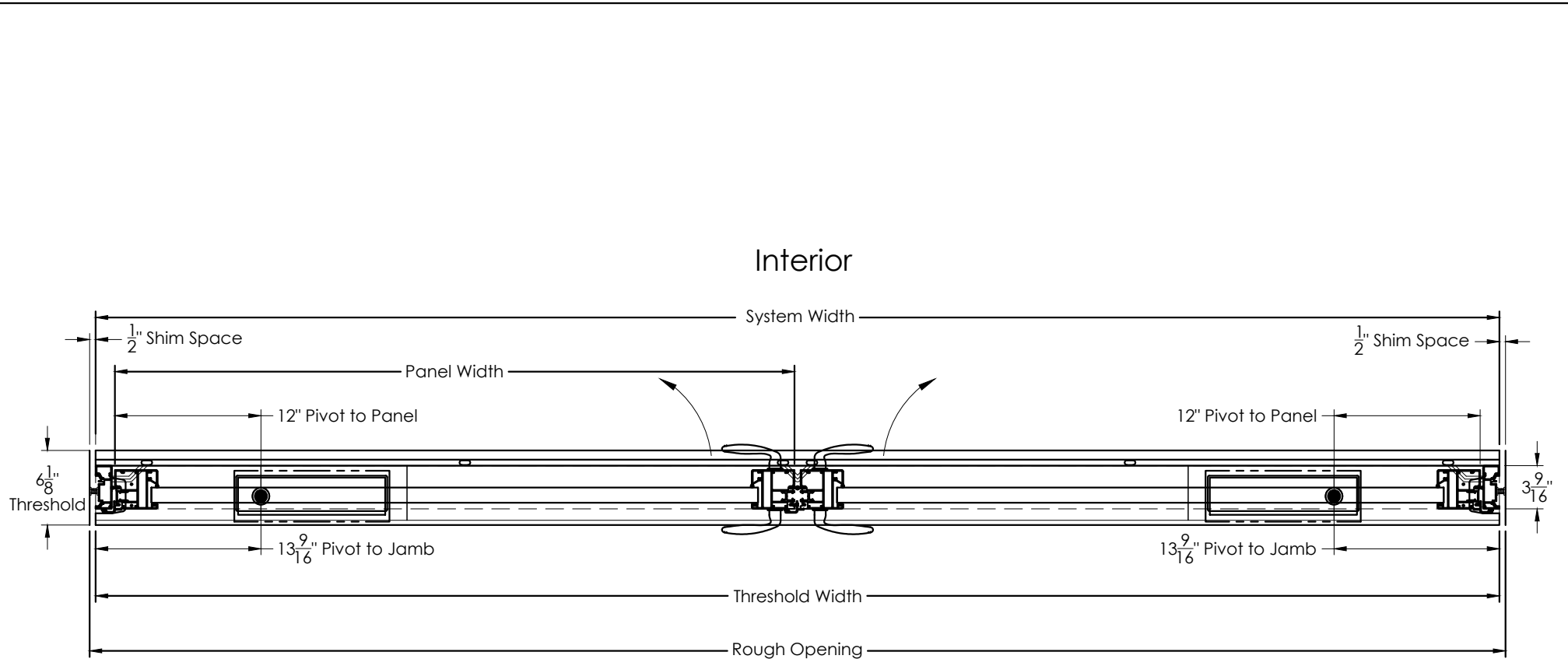
REV	REVISION NOTES	BY	DATE
A	Initial Release	---	xx/xx/xx

JOB NAME				REV			
JN				A			
SYSTEM TYPE - CONFIGURATION							
APD - Double Left Pivot Inswing - Elevation View							
UNIT				QTY	SIZE	SCALE	DRAWN BY
Unit 1				1	A	NTS	DB
HANDLE COLOR			HANDLE TYPE		CYLINDER COLOR	CYLINDER TYPE	SHEET
HNC			HNT		CYNC	Full	




andersenwindows.com
Ph 760-722-8828

Attention: Please take these drawings very seriously and make sure they are reviewed by all appropriate parties. By initialing the Drawing Package Approval Page you are stating that you understand and accept the dimensions on this drawing. These dimensions are the dimensions we will build to, no matter what is documented elsewhere. It is up to the customer to let us know what to build and this drawing is the final word in that process. This drawing and the information contained herein is proprietary to Weiland Sliding Doors and Windows, Inc., and shall not be reproduced, copied or disclosed in part or whole, without written permission by Weiland Sliding Doors and Windows, Inc.

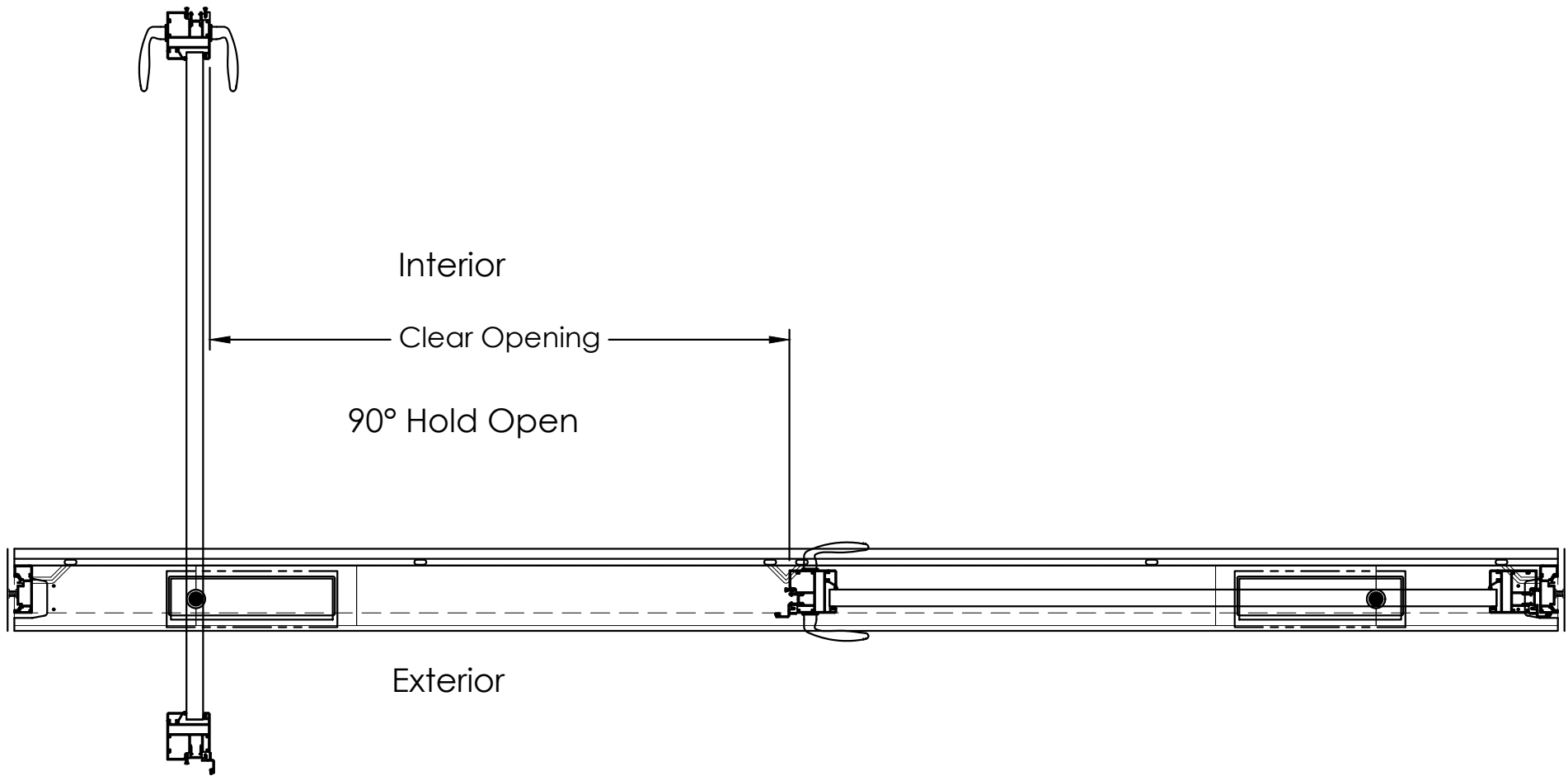



Interior

Exterior

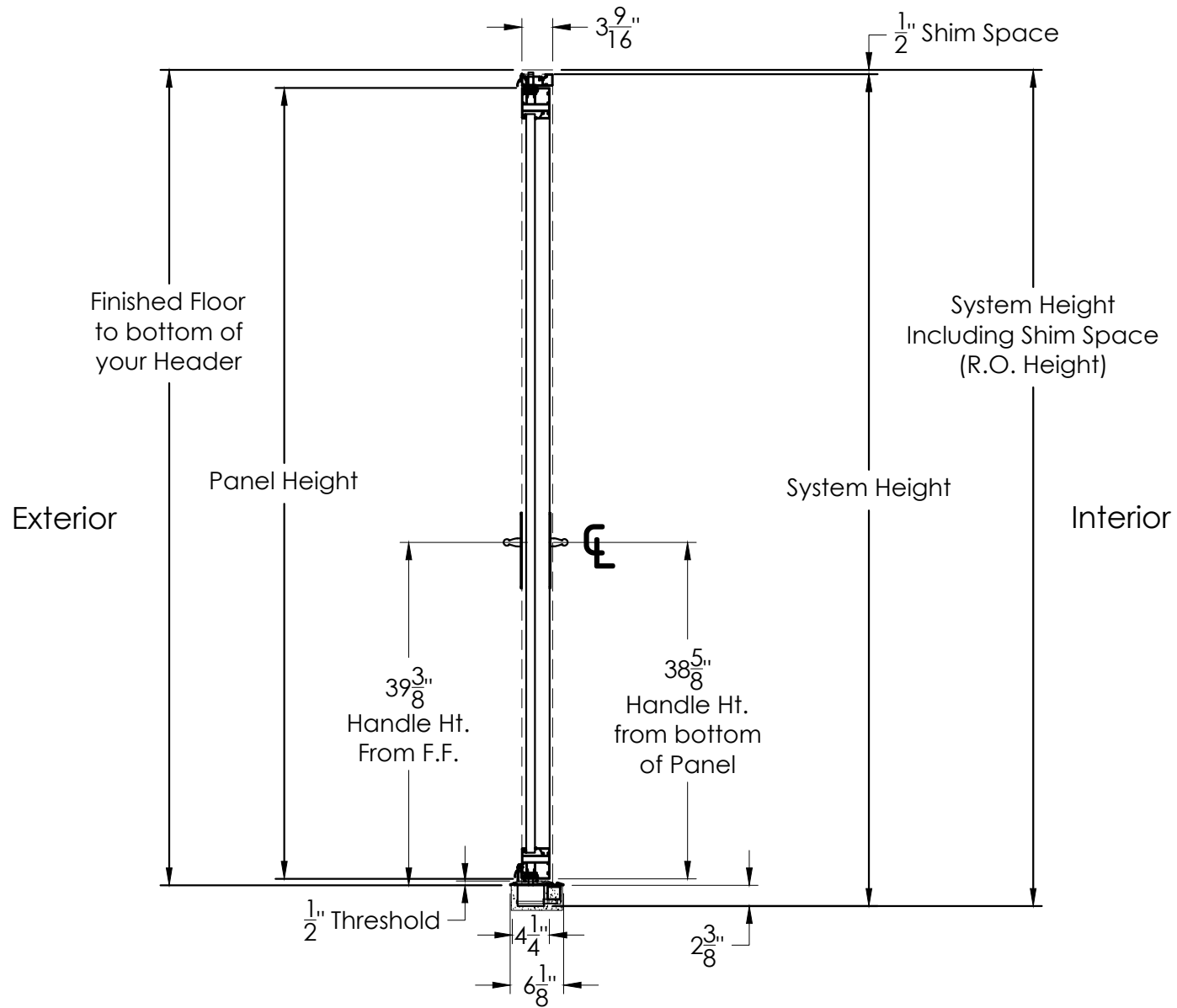
REV	REVISION NOTES	BY	DATE	JOB NAME				REV	 andersenwindows.com Ph 760-722-8828
A	Initial Release	---	xx/xx/xx	JN				A	
				SYSTEM TYPE - CONFIGURATION					
				APD - Double Left Pivot Inswing - Plan View					
				UNIT	QTY	SIZE	SCALE	DRAWN BY	
				Unit 1	1	A	NTS	DB	
				HANDLE COLOR	HANDLE TYPE	CYLINDER COLOR	CYLINDER TYPE	SHEET	
				HNC	HNT	CYNC	Full		


Attention: Please take these drawings very seriously and make sure they are reviewed by all appropriate parties. By initialing the Drawing Package Approval Page you are stating that you understand and accept the dimensions on this drawing. These dimensions are the dimensions we will build to, no matter what is documented elsewhere. It is up to the customer to let us know what to build and this drawing is the final word in that process. This drawing and the information contained herein is proprietary to Weiland Sliding Doors and Windows, Inc., and shall not be reproduced, copied or disclosed in part or whole, without written permission by Weiland Sliding Doors and Windows, Inc.



REV	REVISION NOTES	BY	DATE	JOB NAME				REV	 andersenwindows.com Ph 760-722-8828
A	Initial Release	---	xx/xx/xx	JN				A	
				SYSTEM TYPE - CONFIGURATION					
				APD - Double Left Pivot Inswing - Plan View, Open Condition					
				UNIT	QTY	SIZE	SCALE	DRAWN BY	
				Unit 1	1	A	NTS	DB	
				HANDLE COLOR	HANDLE TYPE	CYLINDER COLOR	CYLINDER TYPE	SHEET	
				HNC	HNT	CYNC	Full		

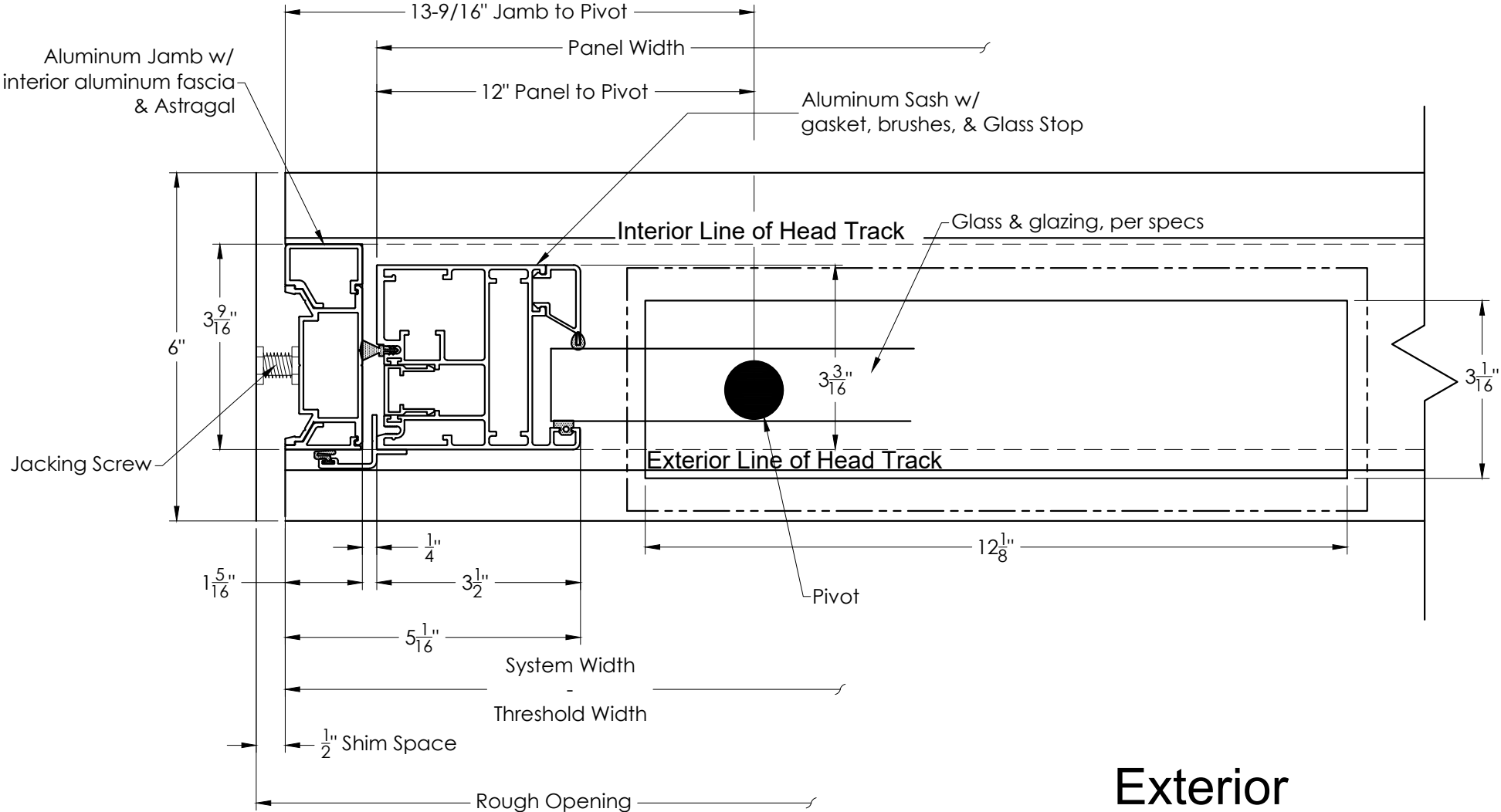
Attention: Please take these drawings very seriously and make sure they are reviewed by all appropriate parties. By initialing the Drawing Package Approval Page you are stating that you understand and accept the dimensions on this drawing. These dimensions are the dimensions we will build to, no matter what is documented elsewhere. It is up to the customer to let us know what to build and this drawing is the final word in that process. This drawing and the information contained herein is proprietary to Weiland Sliding Doors and Windows, Inc., and shall not be reproduced, copied or disclosed in part or whole, without written permission by Weiland Sliding Doors and Windows, Inc.




REV	REVISION NOTES	BY	DATE	JOB NAME				REV	 andersenwindows.com Ph 760-722-8828
A	Initial Release	---	xx/xx/xx	JN				A	
				SYSTEM TYPE - CONFIGURATION					
				APD - Double Left Pivot Inswing - Vertical Section					
				UNIT	QTY	SIZE	SCALE	DRAWN BY	
				Unit 1	1	A	NTS	DB	
				HANDLE COLOR	HANDLE TYPE	CYLINDER COLOR	CYLINDER TYPE	SHEET	
				HNC	HNT	CYNC	Full		

Attention: Please take these drawings very seriously and make sure they are reviewed by all appropriate parties. By initialing the Drawing Package Approval Page you are stating that you understand and accept the dimensions on this drawing. These dimensions are the dimensions we will build to, no matter what is documented elsewhere. It is up to the customer to let us know what to build and this drawing is the final word in that process. This drawing and the information contained herein is proprietary to Weiland Sliding Doors and Windows, Inc., and shall not be reproduced, copied or disclosed in part or whole, without written permission by Weiland Sliding Doors and Windows, Inc.

Interior

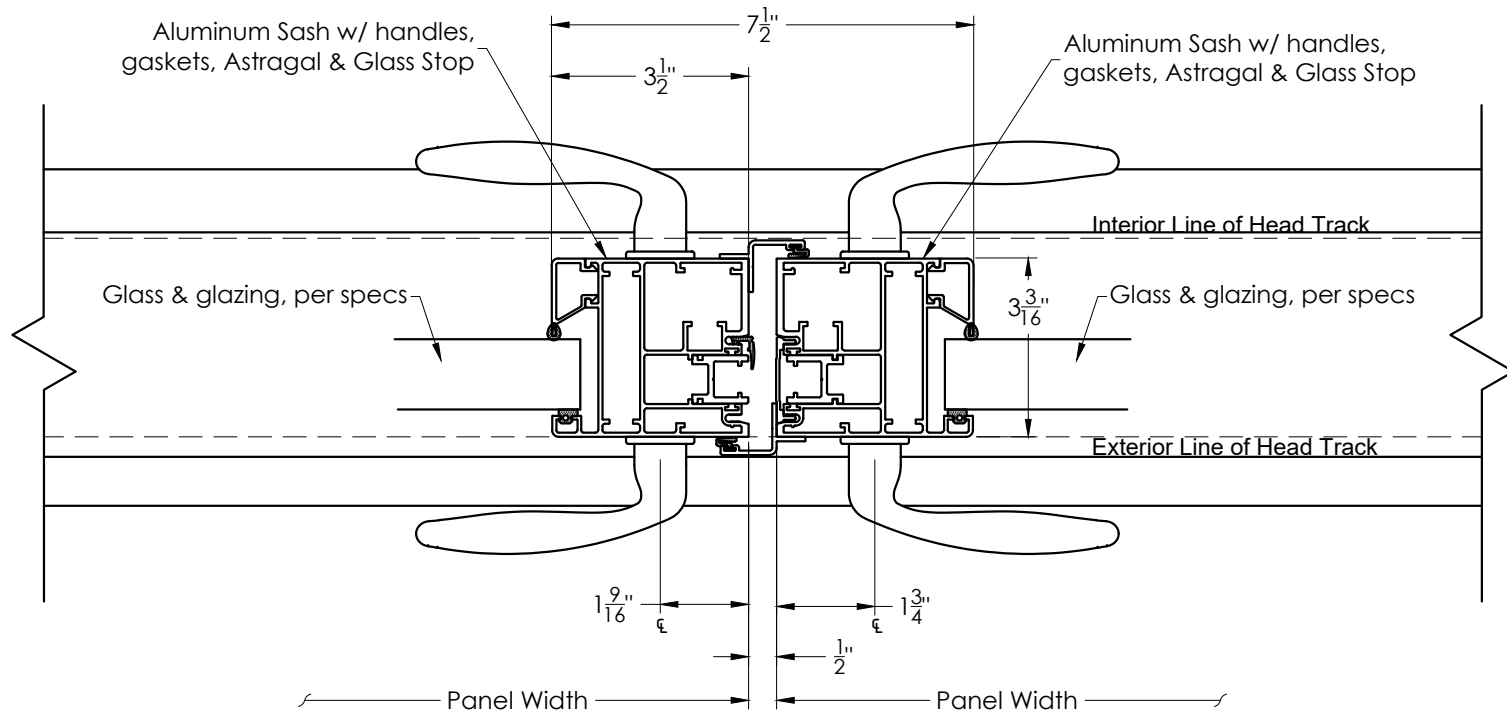


Exterior

REV	REVISION NOTES	BY	DATE	JOB NAME				REV	 andersenwindows.com Ph 760-722-8828
A	Initial Release	---	xx/xx/xx	JN				A	
				SYSTEM TYPE - CONFIGURATION					
				APD - Double Left Pivot Inswing - Detail - Left Jamb, Pivot Side					
				UNIT	QTY	SIZE	SCALE	DRAWN BY	
				Unit 1	1	A	NTS	DB	
				HANDLE COLOR	HANDLE TYPE	CYLINDER COLOR	CYLINDER TYPE	SHEET	
				HNC	HNT	CYNC	Full		


Attention: Please take these drawings very seriously and make sure they are reviewed by all appropriate parties. By initialing the Drawing Package Approval Page you are stating that you understand and accept the dimensions on this drawing. These dimensions are the dimensions we will build to, no matter what is documented elsewhere. It is up to the customer to let us know what to build and this drawing is the final word in that process. This drawing and the information contained herein is proprietary to Weiland Sliding Doors and Windows, Inc., and shall not be reproduced, copied or disclosed in part or whole, without written permission by Weiland Sliding Doors and Windows, Inc.

Interior



Exterior

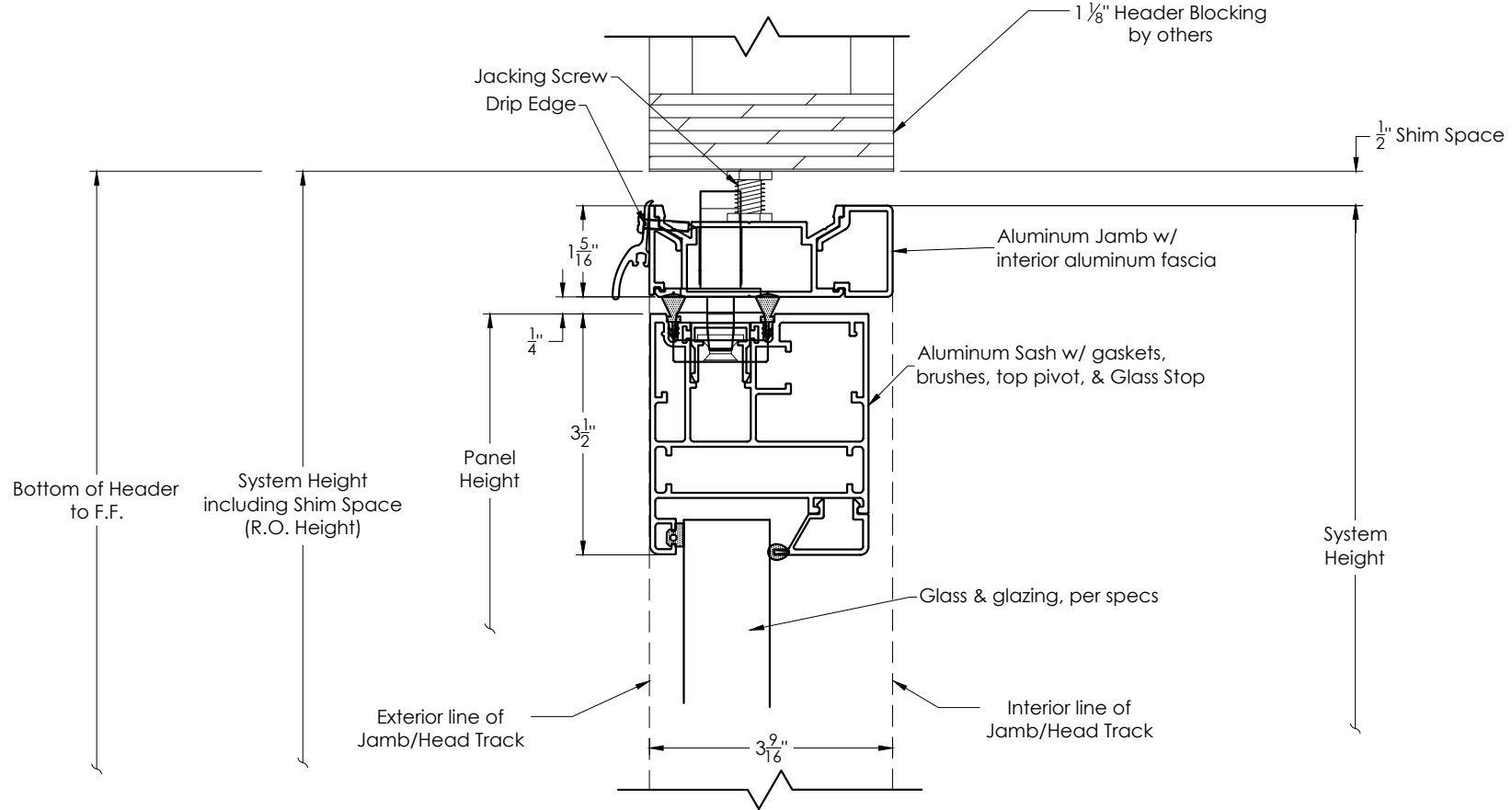



REV	REVISION NOTES	BY	DATE	JOB NAME				REV	 andersenwindows.com Ph 760-722-8828
A	Initial Release	---	xx/xx/xx	JN				A	
				SYSTEM TYPE - CONFIGURATION					
				APD - Double Left Pivot Inswing - Meeting Condition					
				UNIT	QTY	SIZE	SCALE	DRAWN BY	
				Unit 1	1	A	NTS	DB	
				HANDLE COLOR	HANDLE TYPE	CYLINDER COLOR	CYLINDER TYPE	SHEET	
				HNC	HNT	CYNC	Full		

Attention: Please take these drawings very seriously and make sure they are reviewed by all appropriate parties. By initialing the Drawing Package Approval Page you are stating that you understand and accept the dimensions on this drawing. These dimensions are the dimensions we will build to, no matter what is documented elsewhere. It is up to the customer to let us know what to build and this drawing is the final word in that process. This drawing and the information contained herein is proprietary to Weiland Sliding Doors and Windows, Inc., and shall not be reproduced, copied or disclosed in part or whole, without written permission by Weiland Sliding Doors and Windows, Inc.

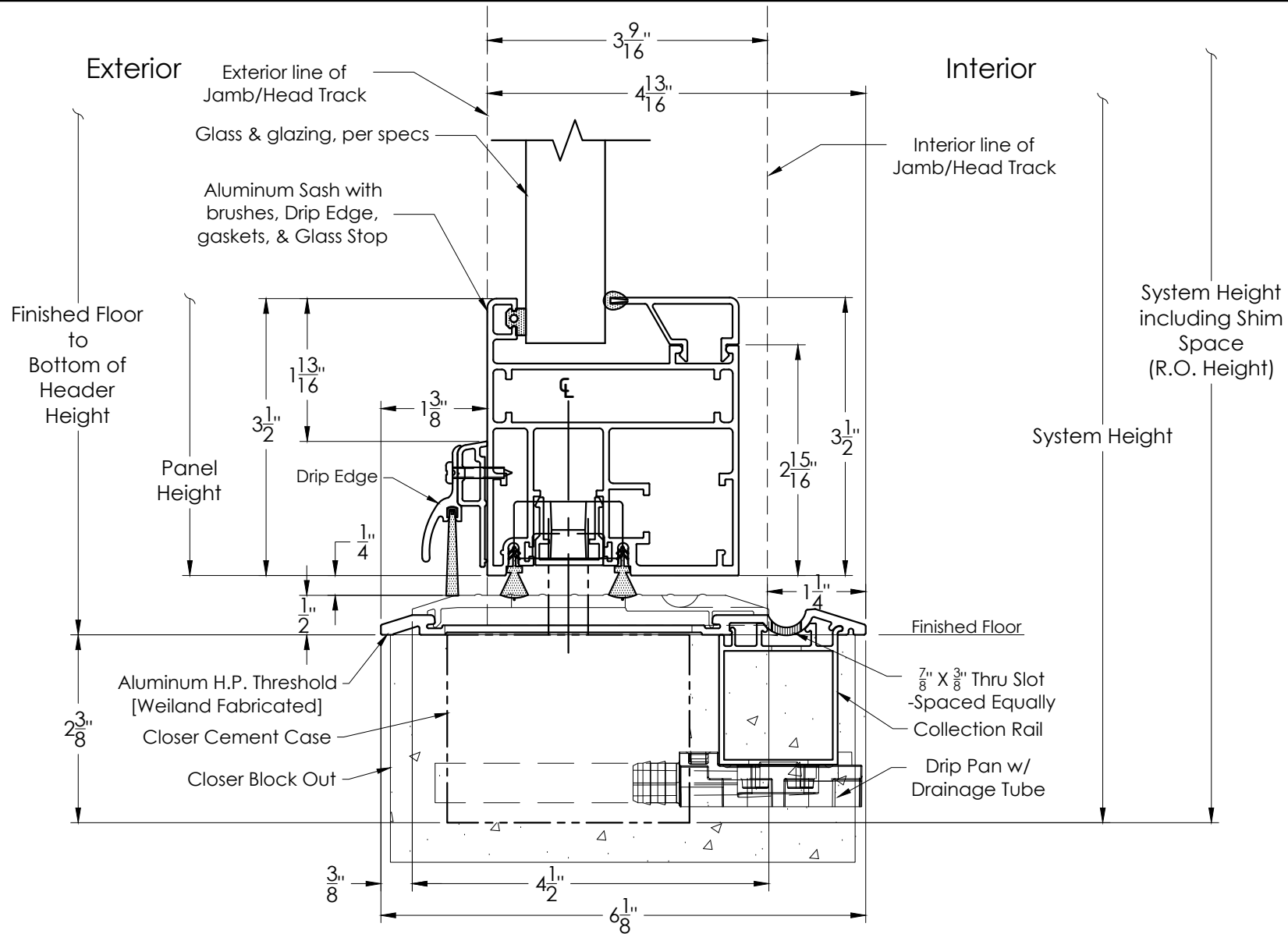
Exterior

Interior



REV	REVISION NOTES	BY	DATE	JOB NAME				REV	 andersenwindows.com Ph 760-722-8828
A	Initial Release	---	xx/xx/xx	JN				A	
				SYSTEM TYPE - CONFIGURATION					
				APD - Double Left Pivot Inswing - Detail - Top Jamb					
				UNIT	QTY	SIZE	SCALE	DRAWN BY	
				Unit 1	1	A	NTS	DB	
				HANDLE COLOR	HANDLE TYPE	CYLINDER COLOR	CYLINDER TYPE	SHEET	
				HNC	HNT	CYNC	Full		

Attention: Please take these drawings very seriously and make sure they are reviewed by all appropriate parties. By initialing the Drawing Package Approval Page you are stating that you understand and accept the dimensions on this drawing. These dimensions are the dimensions we will build to, no matter what is documented elsewhere. It is up to the customer to let us know what to build and this drawing is the final word in that process. This drawing and the information contained herein is proprietary to Weiland Sliding Doors and Windows, Inc., and shall not be reproduced, copied or disclosed in part or whole, without written permission by Weiland Sliding Doors and Windows, Inc.



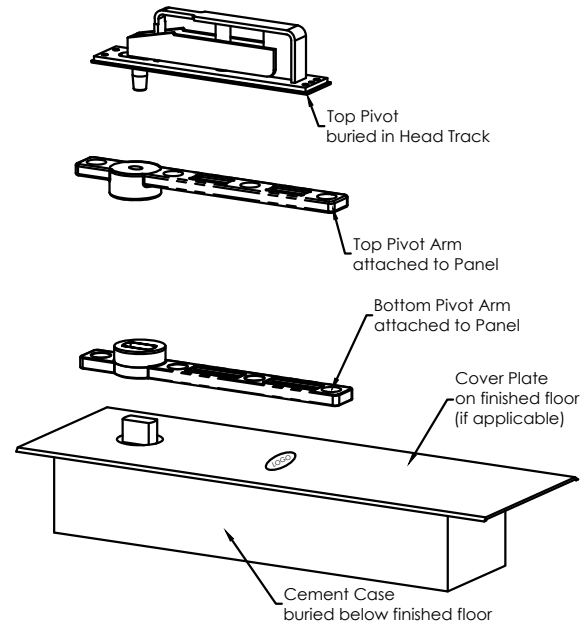
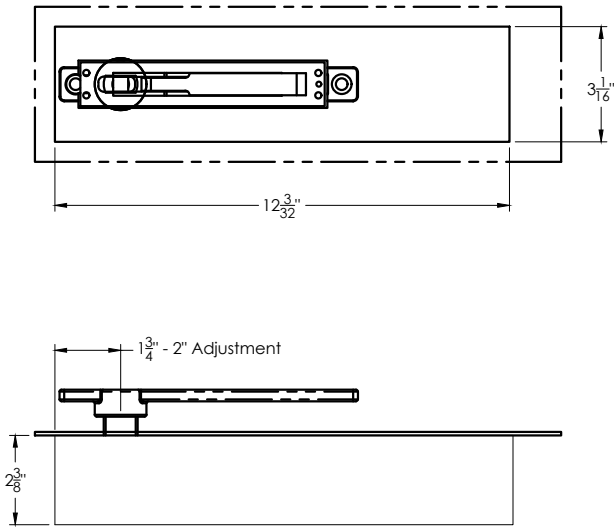
REV	REVISION NOTES	BY	DATE
A	Initial Release	---	xx/xx/xx

JOB NAME				REV
JN				A
SYSTEM TYPE - CONFIGURATION				
APD - Double Left Pivot Inswing - Detail - High Performance Threshold w/Drainage				
UNIT	QTY	SIZE	SCALE	DRAWN BY
Unit 1	1	A	NTS	DB
HANDLE COLOR	HANDLE TYPE	CYLINDER COLOR	CYLINDER TYPE	SHEET
HNC	HNT	CYNC	Full	



andersenwindows.com
Ph 760-722-8828

Attention: Please take these drawings very seriously and make sure they are reviewed by all appropriate parties. By initialing the Drawing Package Approval Page you are stating that you understand and accept the dimensions on this drawing. These dimensions are the dimensions we will build to, no matter what is documented elsewhere. It is up to the customer to let us know what to build and this drawing is the final word in that process. This drawing and the information contained herein is proprietary to Weiland Sliding Doors and Windows, Inc., and shall not be reproduced, copied or disclosed in part or whole, without written permission by Weiland Sliding Doors and Windows, Inc.



Type	Weight Capacity	A	B	C	D
CRL 990	661-1102lbs	2-3/8"	1-7/8"	12-3/32"	3-1/16"

REV	REVISION NOTES	BY	DATE	JOB NAME	REV
A	Initial Release	---	xx/xx/xx	JN	A
				SYSTEM TYPE - CONFIGURATION	
				Generic Detail - Pivot Hardware	
				UNIT	QTY
				Unit 1	1
				SIZE	SCALE
				A	NTS
				DRAWN BY	
				DB	
				HANDLE COLOR	HANDLE TYPE
				HNC	HNT
				CYLINDER COLOR	CYLINDER TYPE
				CYNC	Full
				SHEET	



andersenwindows.com
Ph 760-722-8828

Attention: Please take these drawings very seriously and make sure they are reviewed by all appropriate parties. By initialing the Drawing Package Approval Page you are stating that you understand and accept the dimensions on this drawing. These dimensions are the dimensions we will build to, no matter what is documented elsewhere. It is up to the customer to let us know what to build and this drawing is the final word in that process. This drawing and the information contained herein is proprietary to Weiland Sliding Doors and Windows, Inc., and shall not be reproduced, copied or disclosed in part or whole, without written permission by Weiland Sliding Doors and Windows, Inc.