
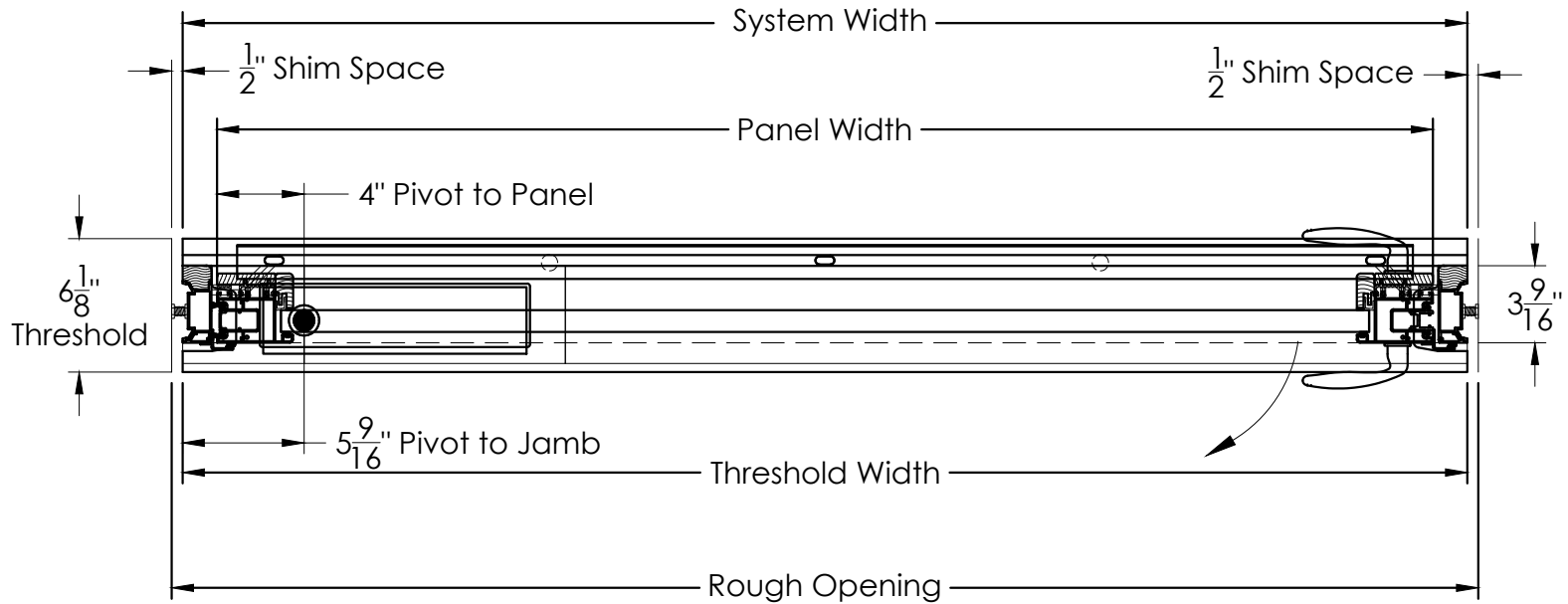



REV	REVISION NOTES	BY	DATE	JOB NAME				REV	 andersenwindows.com Ph 760-722-8828
A	Initial Release	---	xx/xx/xx	JN				A	
				SYSTEM TYPE - CONFIGURATION					
				AWPD - Single Left Pivot Outswing - Elevation View					
				UNIT	QTY	SIZE	SCALE	DRAWN BY	
				Unit 1	1	A	NTS	DB	
				HANDLE COLOR	HANDLE TYPE	CYLINDER COLOR	CYLINDER TYPE	SHEET	
				HNC	HNT	CYNC	Full		

Attention: Please take these drawings very seriously and make sure they are reviewed by all appropriate parties. By initialing the Drawing Package Approval Page you are stating that you understand and accept the dimensions on this drawing. These dimensions are the dimensions we will build to, no matter what is documented elsewhere. It is up to the customer to let us know what to build and this drawing is the final word in that process. This drawing and the information contained herein is proprietary to Weiland Sliding Doors and Windows, Inc., and shall not be reproduced, copied or disclosed in part or whole, without written permission by Weiland Sliding Doors and Windows, Inc.

Interior

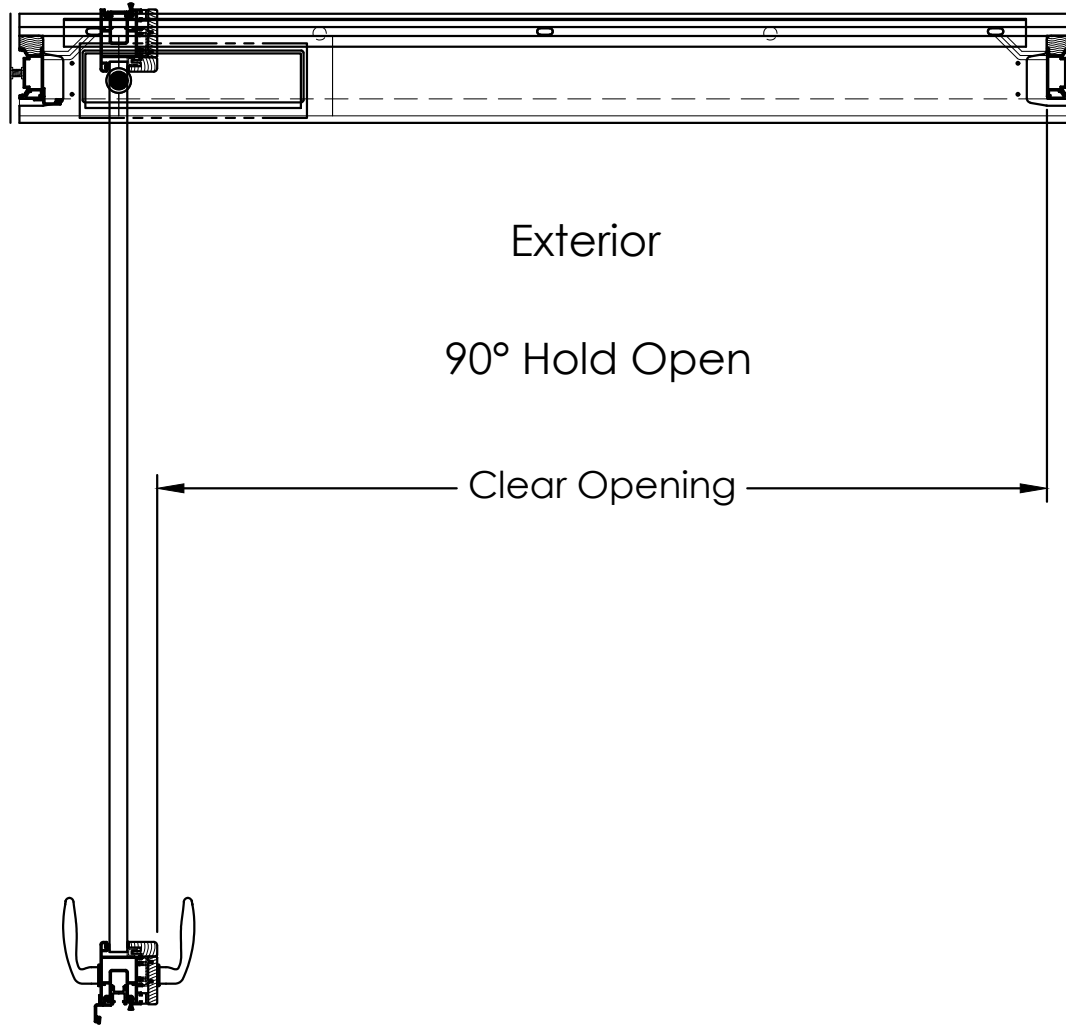



Exterior

REV	REVISION NOTES	BY	DATE	JOB NAME				REV	 andersenwindows.com Ph 760-722-8828
A	Initial Release	---	xx/xx/xx	JN				A	
				SYSTEM TYPE - CONFIGURATION					
				AWPD - Single Left Pivot Outswing - Plan View					
			UNIT	QTY	SIZE	SCALE	DRAWN BY		
			Unit 1	1	A	NTS	DB		
				HANDLE COLOR	HANDLE TYPE	CYLINDER COLOR	CYLINDER TYPE	SHEET	
				HNC	HNT	CYNC	Full		

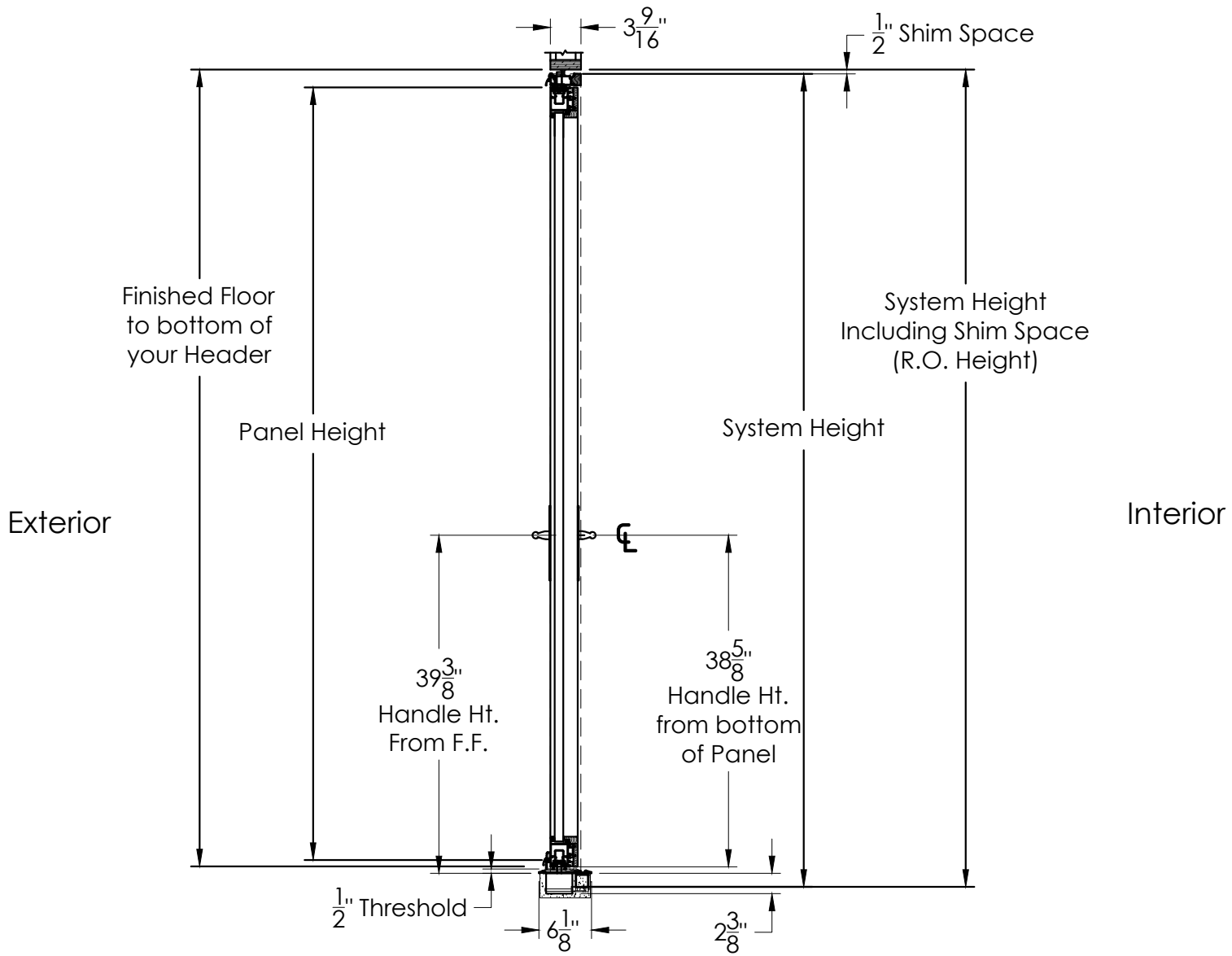
Attention: Please take these drawings very seriously and make sure they are reviewed by all appropriate parties. By initialing the Drawing Package Approval Page you are stating that you understand and accept the dimensions on this drawing. These dimensions are the dimensions we will build to, no matter what is documented elsewhere. It is up to the customer to let us know what to build and this drawing is the final word in that process. This drawing and the information contained herein is proprietary to Weiland Sliding Doors and Windows, Inc., and shall not be reproduced, copied or disclosed in part or whole, without written permission by Weiland Sliding Doors and Windows, Inc.


Interior



REV	REVISION NOTES	BY	DATE	JOB NAME				REV	 andersenwindows.com Ph 760-722-8828
A	Initial Release	---	xx/xx/xx	JN				A	
				SYSTEM TYPE - CONFIGURATION					
				AWPD - Single Left Pivot Outswing - Plan View, Open Condition					
				UNIT	QTY	SIZE	SCALE	DRAWN BY	
				Unit 1	1	A	NTS	DB	
				HANDLE COLOR	HANDLE TYPE	CYLINDER COLOR	CYLINDER TYPE	SHEET	
				HNC	HNT	CYNC	Full		

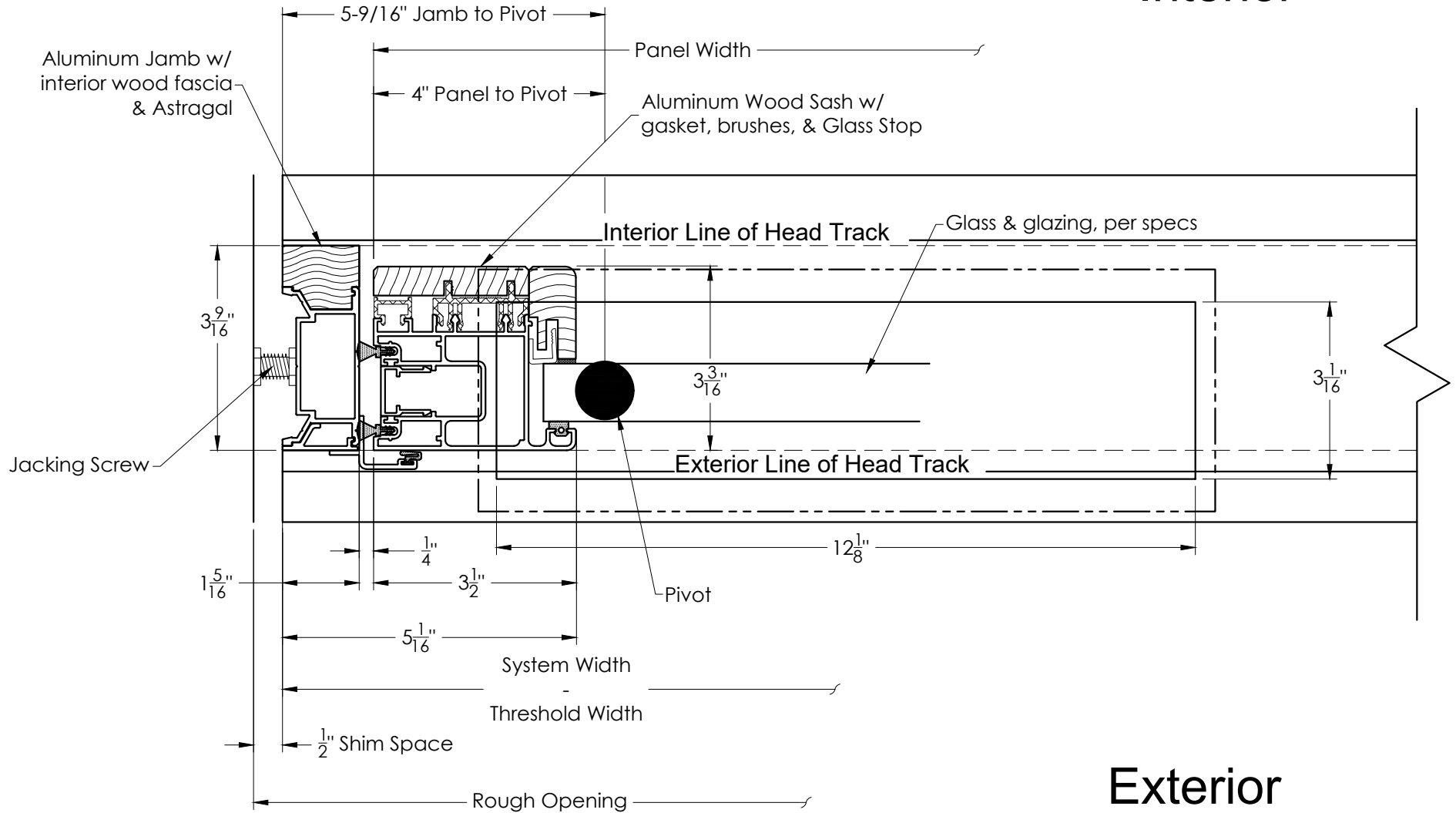
Attention: Please take these drawings very seriously and make sure they are reviewed by all appropriate parties. By initialing the Drawing Package Approval Page you are stating that you understand and accept the dimensions on this drawing. These dimensions are the dimensions we will build to, no matter what is documented elsewhere. It is up to the customer to let us know what to build and this drawing is the final word in that process. This drawing and the information contained herein is proprietary to Weiland Sliding Doors and Windows, Inc., and shall not be reproduced, copied or disclosed in part or whole, without written permission by Weiland Sliding Doors and Windows, Inc.




REV	REVISION NOTES	BY	DATE	JOB NAME				REV	 andersenwindows.com Ph 760-722-8828
A	Initial Release	---	xx/xx/xx	JN				A	
				SYSTEM TYPE - CONFIGURATION					
				AWPD - Single Left Pivot Outswing - Vertical Section					
				UNIT	QTY	SIZE	SCALE	DRAWN BY	
				Unit 1	1	A	NTS	DB	
				HANDLE COLOR	HANDLE TYPE	CYLINDER COLOR	CYLINDER TYPE	SHEET	
				HNC	HNT	CYNC	Full		

Attention: Please take these drawings very seriously and make sure they are reviewed by all appropriate parties. By initialing the Drawing Package Approval Page you are stating that you understand and accept the dimensions on this drawing. These dimensions are the dimensions we will build to, no matter what is documented elsewhere. It is up to the customer to let us know what to build and this drawing is the final word in that process. This drawing and the information contained herein is proprietary to Weiland Sliding Doors and Windows, Inc., and shall not be reproduced, copied or disclosed in part or whole, without written permission by Weiland Sliding Doors and Windows, Inc.

Interior

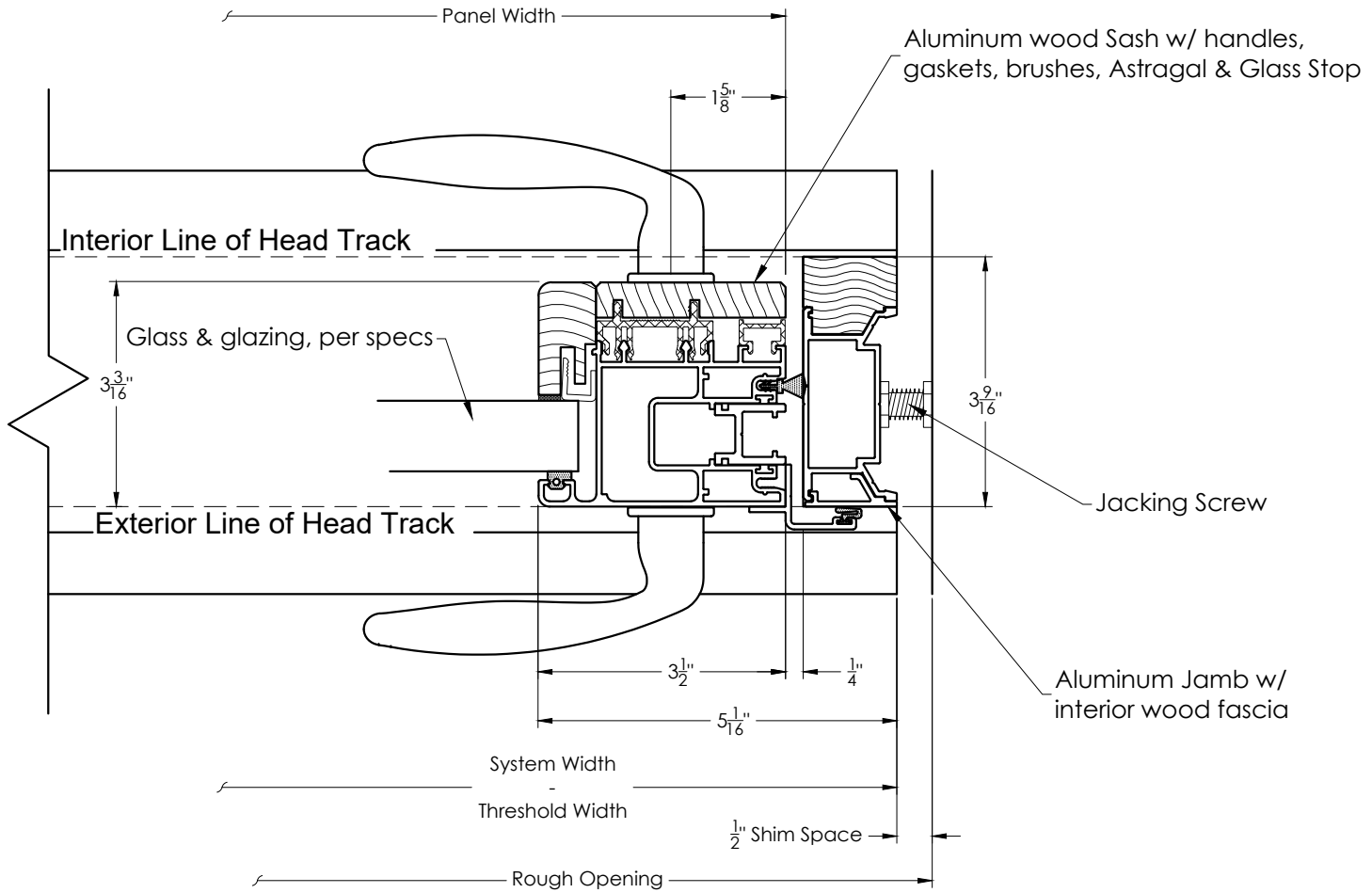


Exterior


REV	REVISION NOTES	BY	DATE	JOB NAME				REV	 andersenwindows.com Ph 760-722-8828
A	Initial Release	---	xx/xx/xx	JN				A	
				SYSTEM TYPE - CONFIGURATION					
				AWPD - Single Left Pivot Outswing - Detail - Left Jamb, Pivot Side					
				UNIT	QTY	SIZE	SCALE	DRAWN BY	
				Unit 1	1	A	NTS	DB	
				HANDLE COLOR	HANDLE TYPE	CYLINDER COLOR	CYLINDER TYPE	SHEET	
				HNC	HNT	CYNC	Full		

Attention: Please take these drawings very seriously and make sure they are reviewed by all appropriate parties. By initialing the Drawing Package Approval Page you are stating that you understand and accept the dimensions on this drawing. These dimensions are the dimensions we will build to, no matter what is documented elsewhere. It is up to the customer to let us know what to build and this drawing is the final word in that process. This drawing and the information contained herein is proprietary to Weiland Sliding Doors and Windows, Inc., and shall not be reproduced, copied or disclosed in part or whole, without written permission by Weiland Sliding Doors and Windows, Inc.

Interior



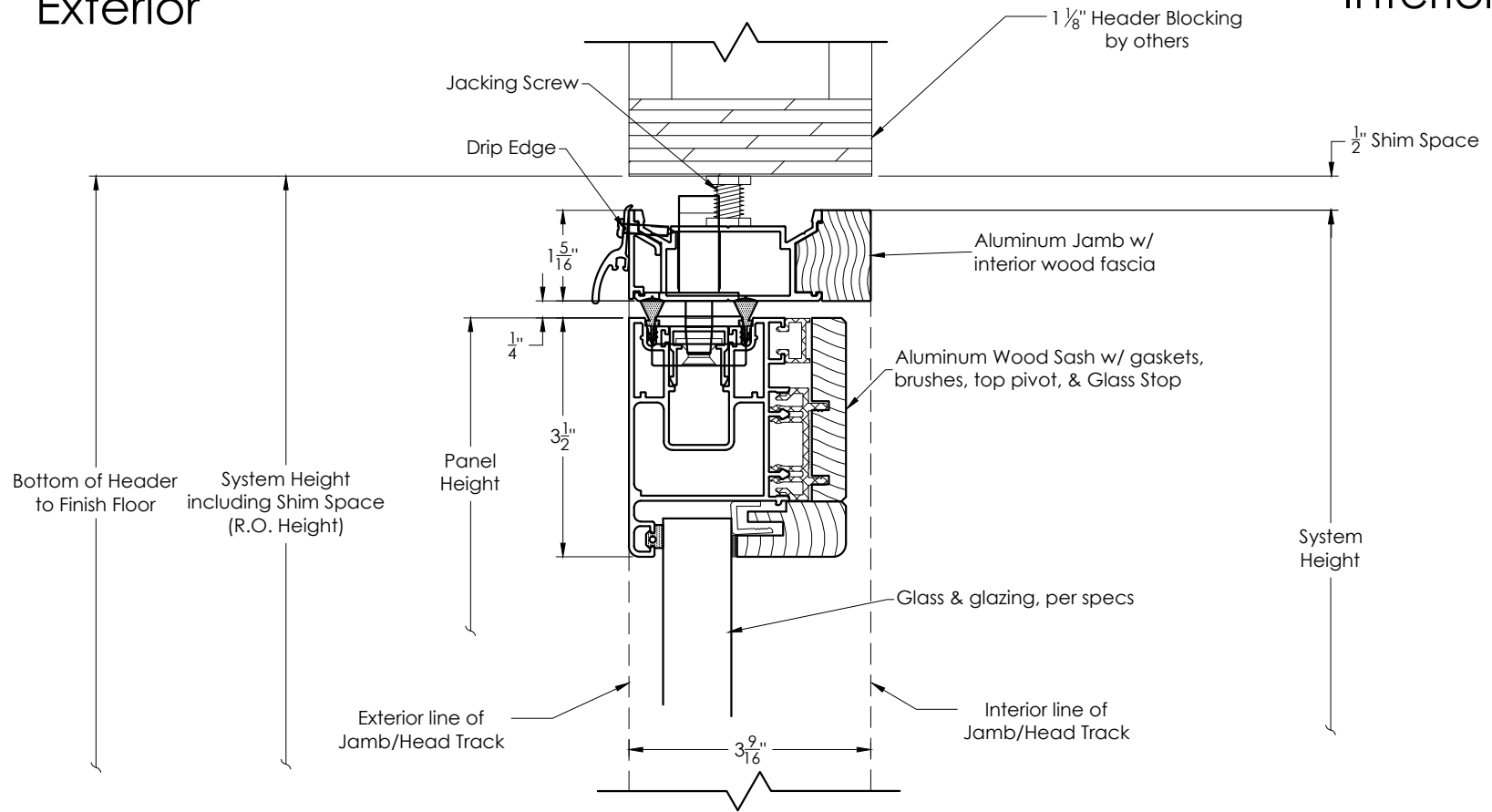
Exterior


REV	REVISION NOTES	BY	DATE	JOB NAME				REV	 andersenwindows.com Ph 760-722-8828
A	Initial Release	---	xx/xx/xx	JN				A	
				SYSTEM TYPE - CONFIGURATION					
				AWPD - Single Left Pivot Outswing - Detail - Right Jamb, Handled Side					
				UNIT	QTY	SIZE	SCALE	DRAWN BY	
				Unit 1	1	A	NTS	DB	
				HANDLE COLOR	HANDLE TYPE	CYLINDER COLOR	CYLINDER TYPE	SHEET	
				HNC	HNT	CYNC	Full		

Attention: Please take these drawings very seriously and make sure they are reviewed by all appropriate parties. By initialing the Drawing Package Approval Page you are stating that you understand and accept the dimensions on this drawing. These dimensions are the dimensions we will build to, no matter what is documented elsewhere. It is up to the customer to let us know what to build and this drawing is the final word in that process. This drawing and the information contained herein is proprietary to Weiland Sliding Doors and Windows, Inc., and shall not be reproduced, copied or disclosed in part or whole, without written permission by Weiland Sliding Doors and Windows, Inc.

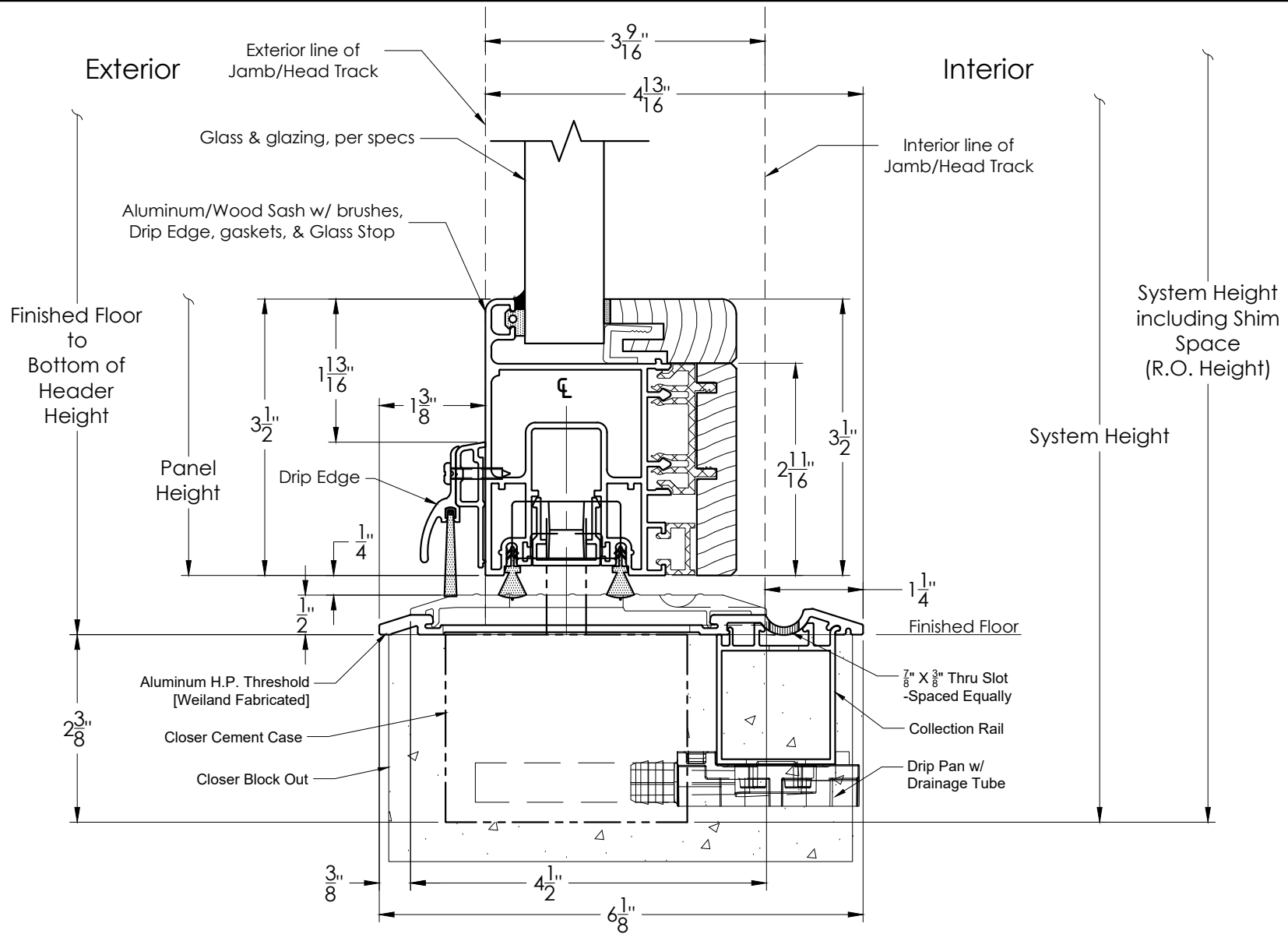
Exterior

Interior



REV	REVISION NOTES	BY	DATE	JOB NAME				REV	 andersenwindows.com Ph 760-722-8828
A	Initial Release	---	xx/xx/xx	JN				A	
				SYSTEM TYPE - CONFIGURATION					
				AWPD - Single Left Pivot Outswing - Detail - Top Jamb					
				UNIT	QTY	SIZE	SCALE	DRAWN BY	
				Unit 1	1	A	NTS	DB	
				HANDLE COLOR	HANDLE TYPE	CYLINDER COLOR	CYLINDER TYPE	SHEET	
				HNC	HNT	CYNC	Full		

Attention: Please take these drawings very seriously and make sure they are reviewed by all appropriate parties. By initialing the Drawing Package Approval Page you are stating that you understand and accept the dimensions on this drawing. These dimensions are the dimensions we will build to, no matter what is documented elsewhere. It is up to the customer to let us know what to build and this drawing is the final word in that process. This drawing and the information contained herein is proprietary to Weiland Sliding Doors and Windows, Inc., and shall not be reproduced, copied or disclosed in part or whole, without written permission by Weiland Sliding Doors and Windows, Inc.



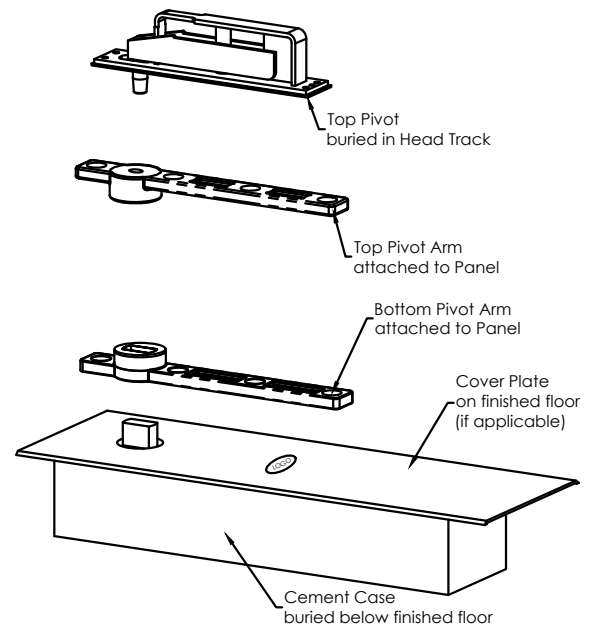
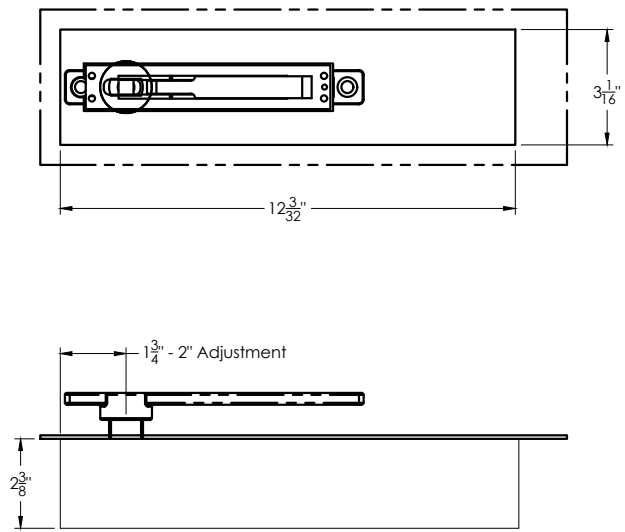
REV	REVISION NOTES	BY	DATE
A	Initial Release	---	xx/xx/xx

JOB NAME JN				REV A
SYSTEM TYPE - CONFIGURATION AWPD - Single Left Pivot Outswing - Detail - High Performance Threshold w/Drainage				
UNIT Unit 1	QTY 1	SIZE A	SCALE NTS	DRAWN BY DB
HANDLE COLOR HNC	HANDLE TYPE HNT	CYLINDER COLOR CYNC	CYLINDER TYPE Full	SHEET




andersenwindows.com
Ph 760-722-8828

Attention: Please take these drawings very seriously and make sure they are reviewed by all appropriate parties. By initialing the Drawing Package Approval Page you are stating that you understand and accept the dimensions on this drawing. These dimensions are the dimensions we will build to, no matter what is documented elsewhere. It is up to the customer to let us know what to build and this drawing is the final word in that process. This drawing and the information contained herein is proprietary to Weiland Sliding Doors and Windows, Inc., and shall not be reproduced, copied or disclosed in part or whole, without written permission by Weiland Sliding Doors and Windows, Inc.



Type	Weight Capacity	A	B	C	D
CRL 990	661-1102lbs	2-3/8"	1-7/8	12-3/32"	3-1/16"

REV	REVISION NOTES	BY	DATE	JOB NAME				REV	 andersenwindows.com Ph 760-722-8828
A	Initial Release	---	xx/xx/xx	JN				A	
				SYSTEM TYPE - CONFIGURATION					
				Generic Detail - Pivot Hardware					
				UNIT	QTY	SIZE	SCALE	DRAWN BY	
				Unit 1	1	A	NTS	DB	
				HANDLE COLOR	HANDLE TYPE	CYLINDER COLOR	CYLINDER TYPE	SHEET	
				HNC	HNT	CYNC	Full		

Attention: Please take these drawings very seriously and make sure they are reviewed by all appropriate parties. By initialing the Drawing Package Approval Page you are stating that you understand and accept the dimensions on this drawing. These dimensions are the dimensions we will build to, no matter what is documented elsewhere. It is up to the customer to let us know what to build and this drawing is the final word in that process. This drawing and the information contained herein is proprietary to Weiland Sliding Doors and Windows, Inc., and shall not be reproduced, copied or disclosed in part or whole, without written permission by Weiland Sliding Doors and Windows, Inc.