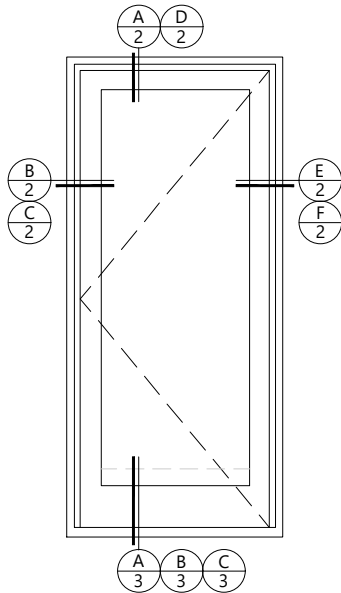
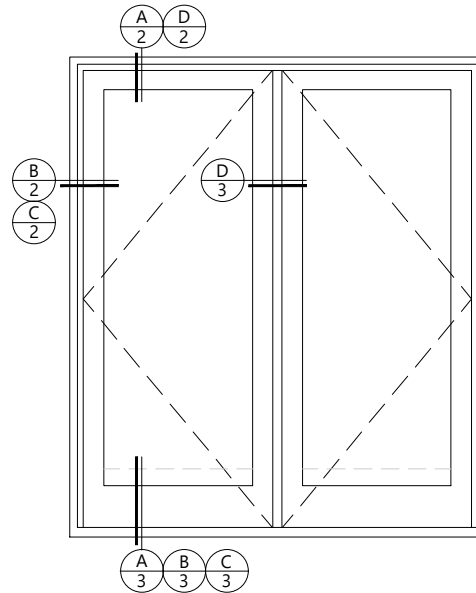


Aluminum

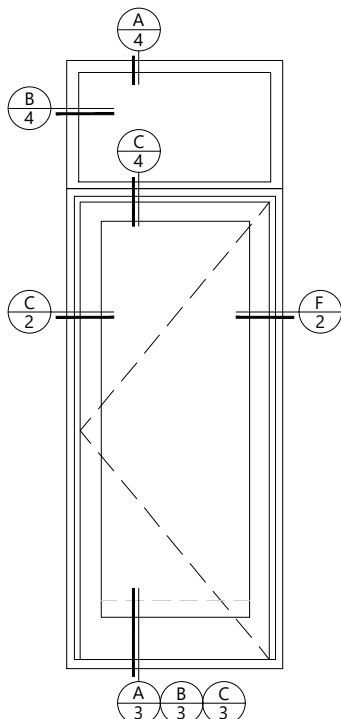
Inswing Door
Non-thermal



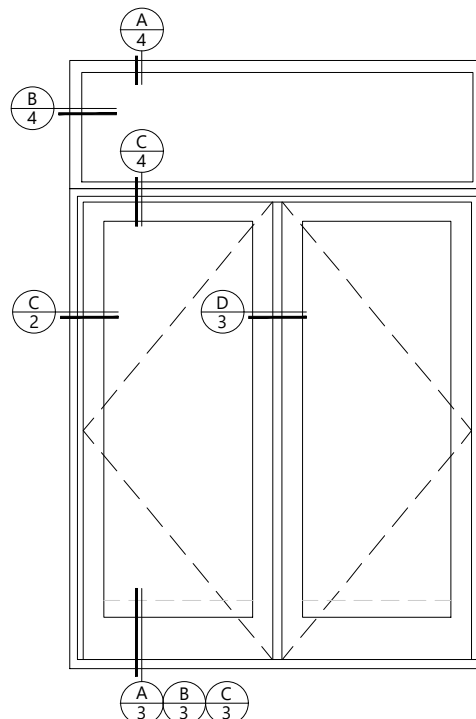
Inswing Single Door



Inswing Double Door



Inswing Single Door
With Transom



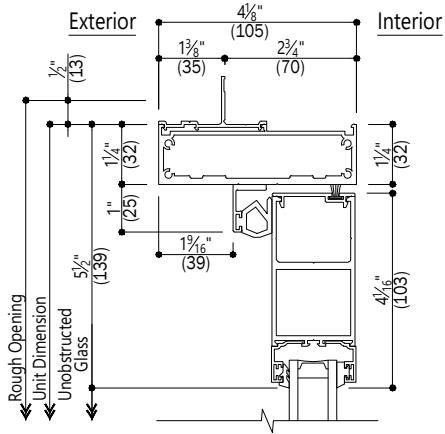
Inswing Double Door
With Transom

Scale: 3/8" (10) = 1' (305)

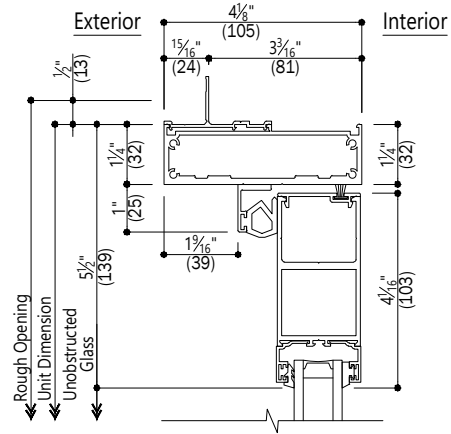
Notes:

Details have been optimized for use in architectural software and do not match manufacturing specifications.
Dimensions in parentheses are in millimeters.
Andersen Windows, Inc. reserves the right to change drawing specifications without notice.

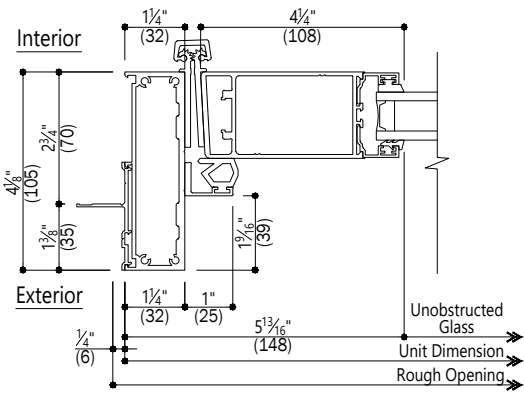
Date: 05/30/23



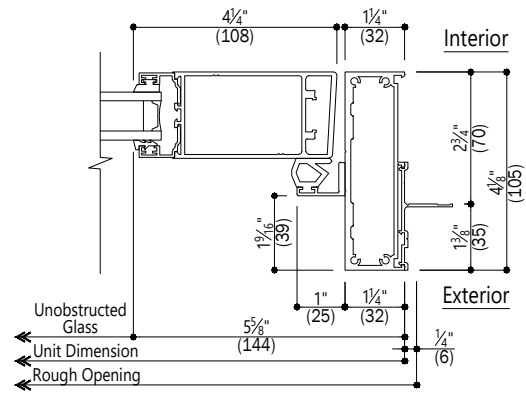
A Head
2 1 3/8" Projection



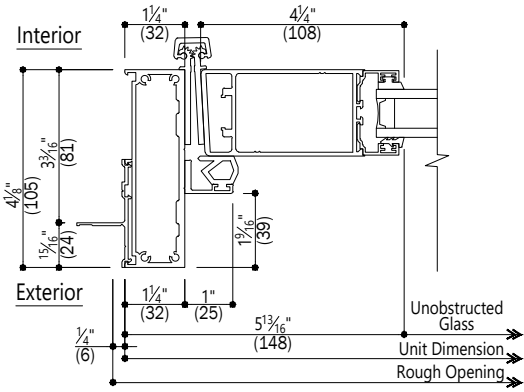
D Head
2 1 5/16" Projection



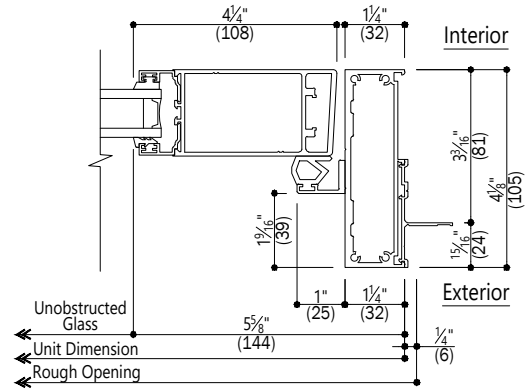
B Jamb
2 Hinge Side, 1 3/8" Projection



E Jamb
2 Lock Side, 1 3/8" Projection



C Jamb
2 Hinge Side, 1 5/16" Projection



F Jamb
2 Lock Side, 1 5/16" Projection

Scale: 3" (76) = 1' (305)

Notes:

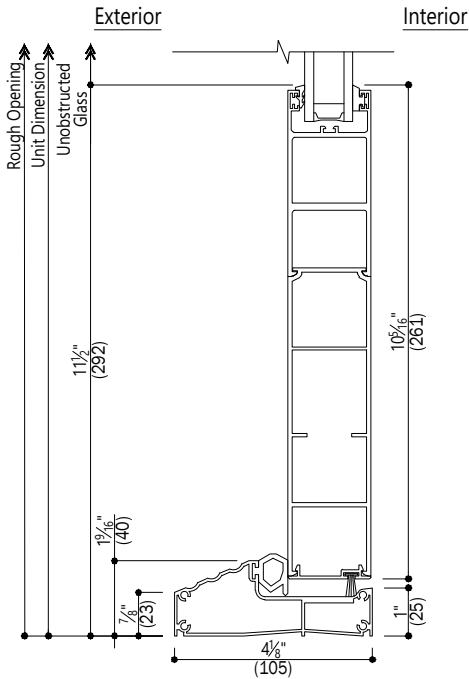
Details have been optimized for use in architectural software and do not match manufacturing specifications. Dimensions in parentheses are in millimeters. Andersen Windows, Inc. reserves the right to change drawing specifications without notice.

Date: 05/30/23

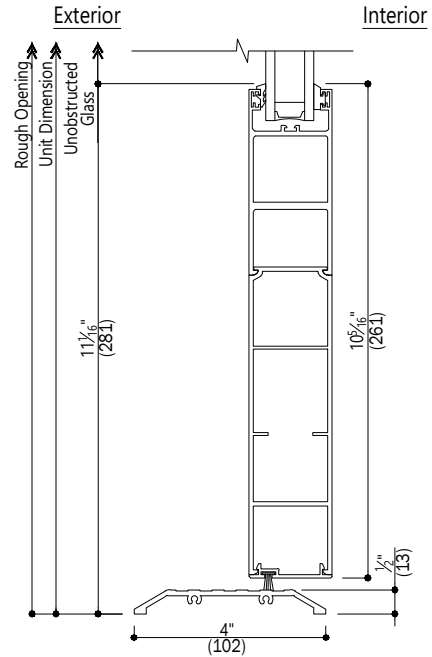
Aluminum

Inswing Door

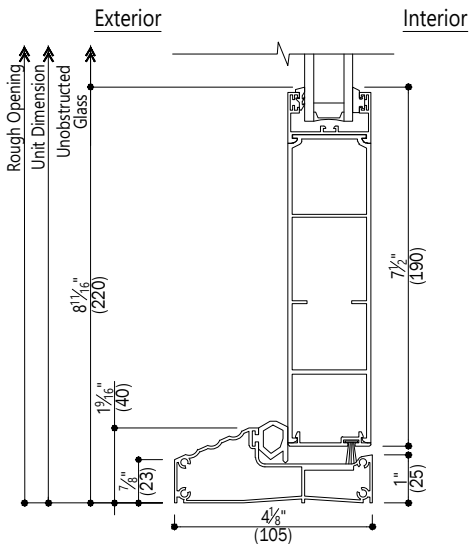
Non-thermal



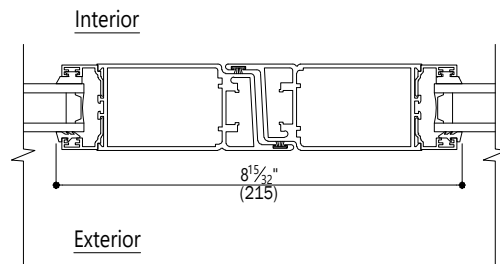
A On-Floor Drainage Sill
3 Optional Tall Bottom Rail



C Low Profile Sill
3 Tall Bottom Rail



B On-Floor Drainage Sill
3 Standard Bottom Rail



D Astragal
3

Scale: 3" (76) = 1' (305)

Notes:

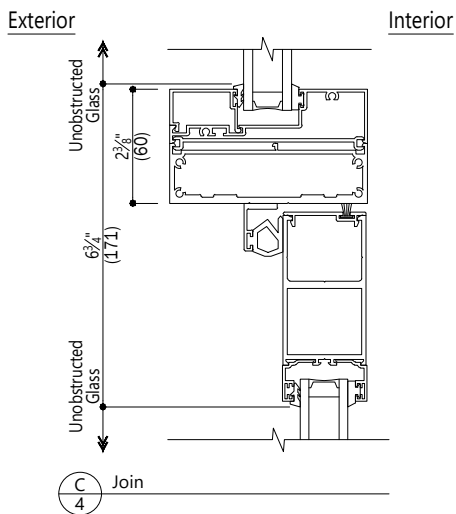
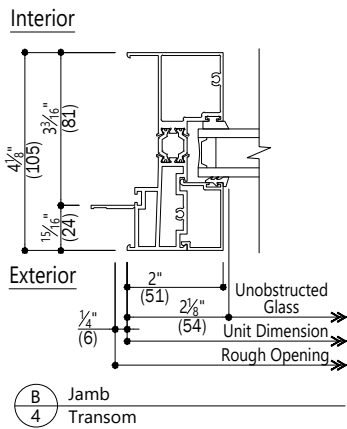
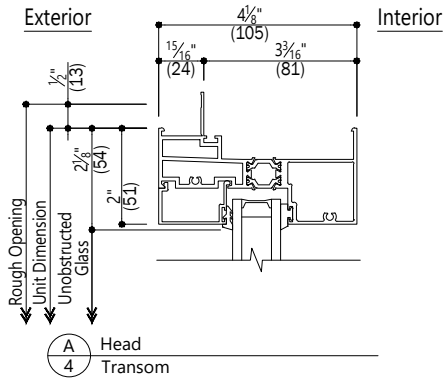
Details have been optimized for use in architectural software and do not match manufacturing specifications. Dimensions in parentheses are in millimeters. Andersen Windows, Inc. reserves the right to change drawing specifications without notice.

Date: 05/30/23

Aluminum

Inswing Door

Non-thermal



Scale: 3" (76) = 1' (305)

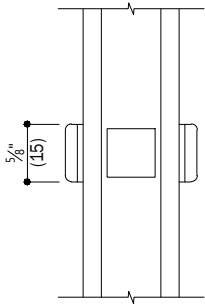
Notes:

Details have been optimized for use in architectural software and do not match manufacturing specifications. Dimensions in parentheses are in millimeters. Andersen Windows, Inc. reserves the right to change drawing specifications without notice.

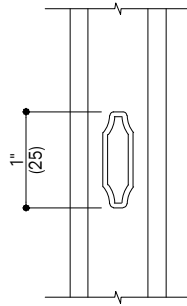
Date: 05/30/23

Aluminum

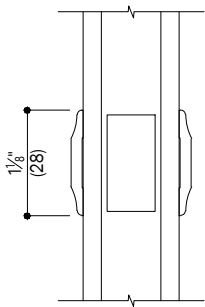
Inswing Door
Non-thermal



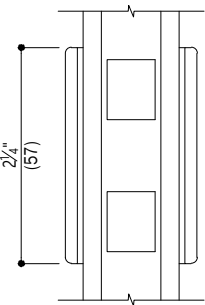
A
5 5/8" Full Divided Light (Flat)



D
5 1" Finelight (Contoured)



B
5 1 1/8" Full Divided Light (Contoured)



C
5 2 1/4" Full Divided Light (Flat Grille)

Scale: 6" (152) = 1' (305)

Notes:

Details have been optimized for use in architectural software and do not match manufacturing specifications.
Dimensions in parentheses are in millimeters.
Andersen Windows, Inc. reserves the right to change drawing specifications without notice.

Date: 05/30/23