

Pivot Location

Pivot Distance

*If pivot distance is not specified by the customer, it will be 20% of the overall frame width (O.A. Width) by default.

*If the remaining 80% of the O.A. Width exceeds 48.0", the hardware is not covered by warranty.

*If O.A. Width exceeds 60.0", you may use this formula to determine warranted pivot distance:
(Pivot Distance = O.A. Width - 48.0")

*Pivot Distance or percentage must be specified by the time of order entry

Scale: 3/8" (10) = 1' (305)

Notes:

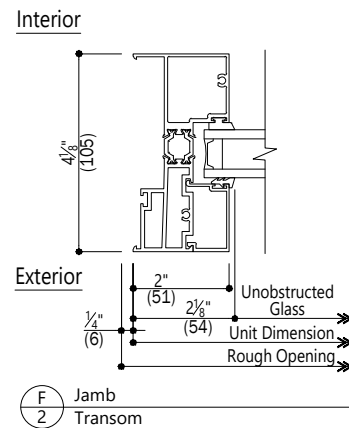
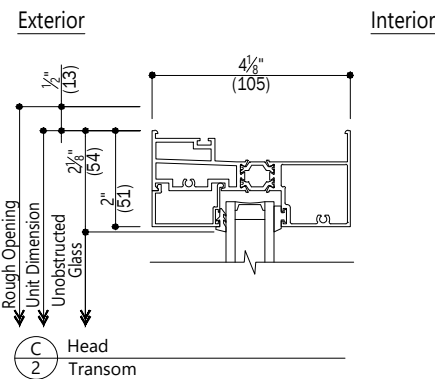
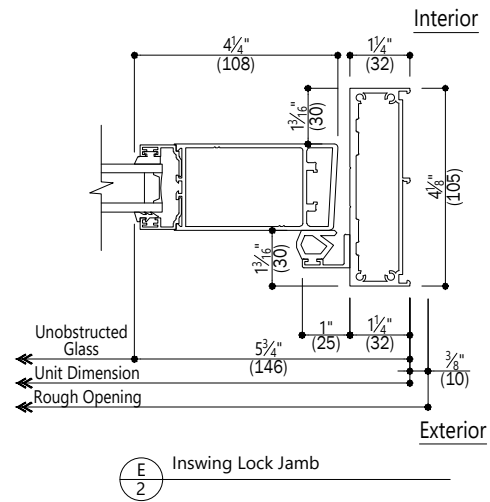
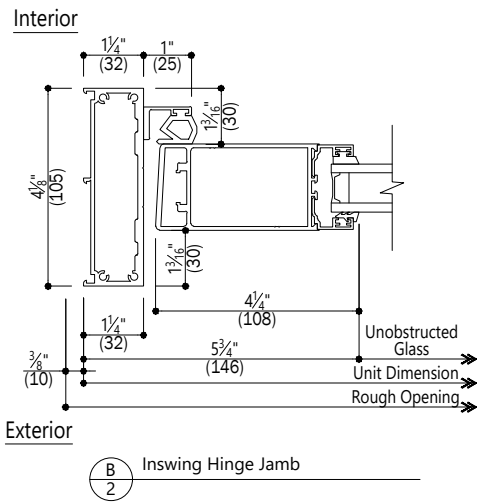
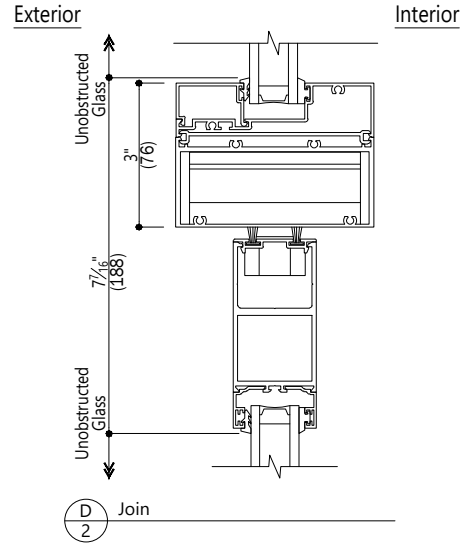
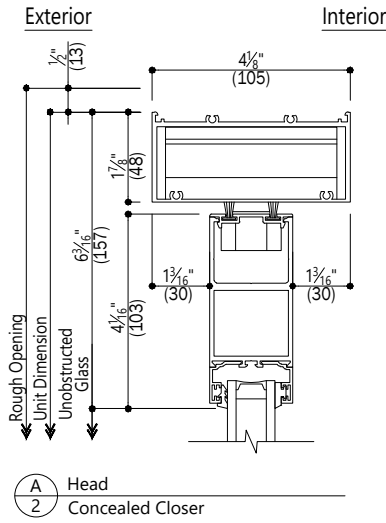
Details have been optimized for use in architectural software and do not match manufacturing specifications.
Dimensions in parentheses are in millimeters.
Andersen Windows, Inc. reserves the right to change drawing specifications without notice.

Date: 05/30/23

Aluminum

Inswing Pivot Door

Non-thermal



Scale: 3" (76) = 1' (305)

Notes:

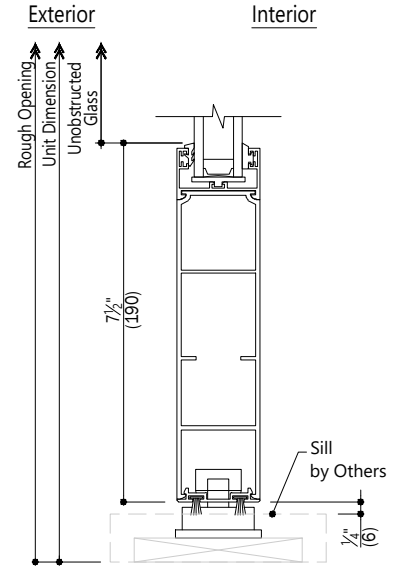
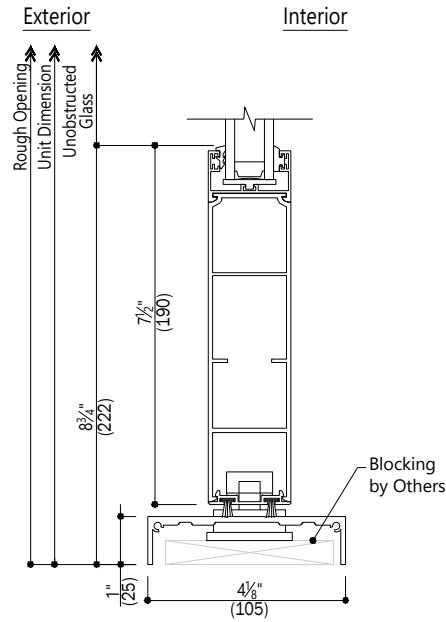
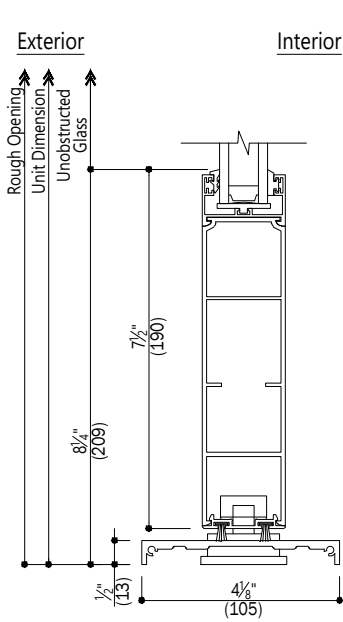
Details have been optimized for use in architectural software and do not match manufacturing specifications. Dimensions in parentheses are in millimeters. Andersen Windows, Inc. reserves the right to change drawing specifications without notice.

Date: 05/30/23

Aluminum

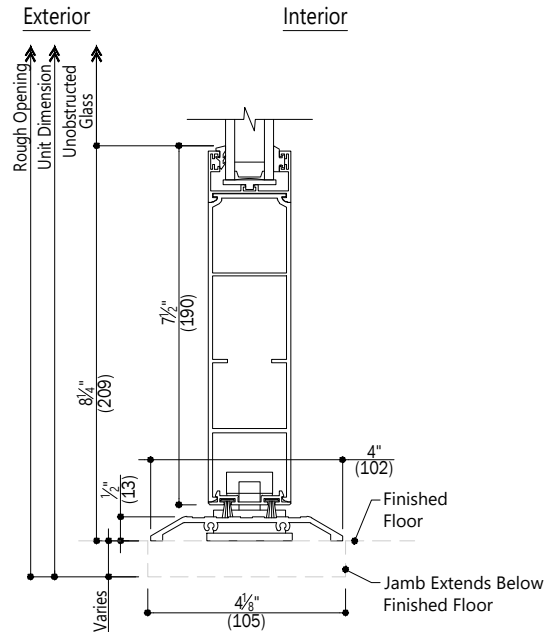
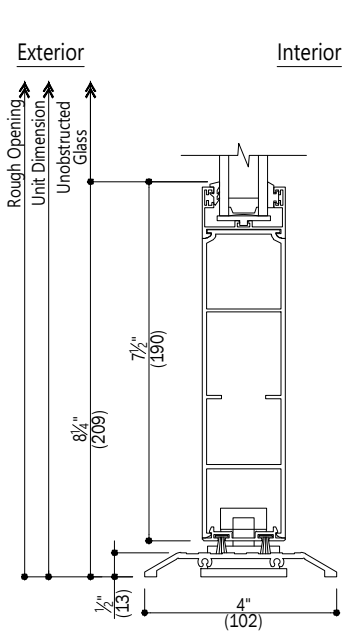
Inswing Pivot Door

Non-thermal



A Sill
3 Sill Height as Specified (between 1/2" and 1" tall)

C Sill by Others



B Low Profile Saddle Sill
3 Sill can be specified to sit on top of finished floors.

Scale: 3" (76) = 1' (305)

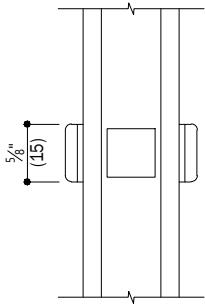
Notes:

Details have been optimized for use in architectural software and do not match manufacturing specifications. Dimensions in parentheses are in millimeters. Andersen Windows, Inc. reserves the right to change drawing specifications without notice.

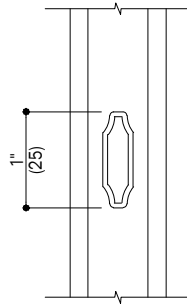
Date: 05/30/23

Aluminum

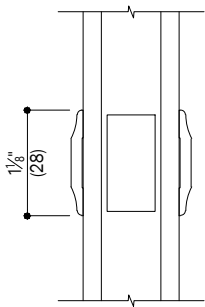
Inswing Pivot Door
Non-thermal



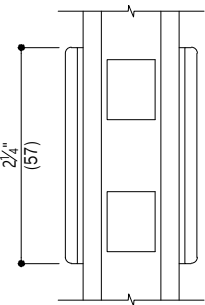
A
4 $\frac{5}{8}$ " Full Divided Light (Flat)



D
4 1" Finelight (Contoured)



B
4 $1\frac{1}{8}$ " Full Divided Light (Contoured)



C
4 $2\frac{1}{4}$ " Full Divided Light (Flat Grille)

Scale: 6" (152) = 1' (305)

Notes:

Details have been optimized for use in architectural software and do not match manufacturing specifications.
Dimensions in parentheses are in millimeters.
Andersen Windows, Inc. reserves the right to change drawing specifications without notice.

Date: 05/30/23