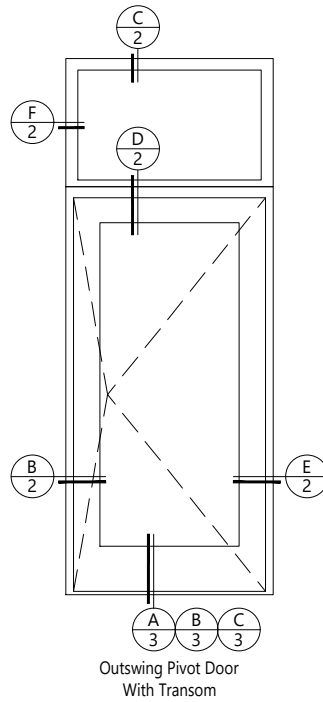
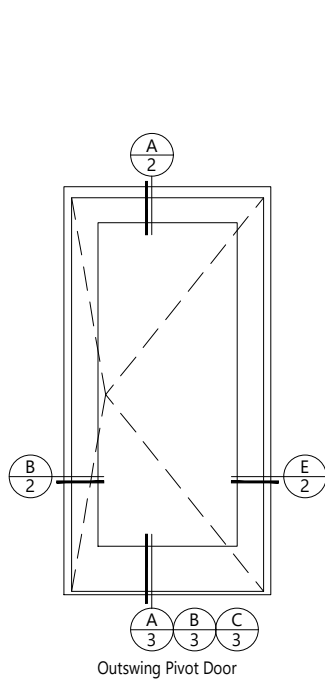


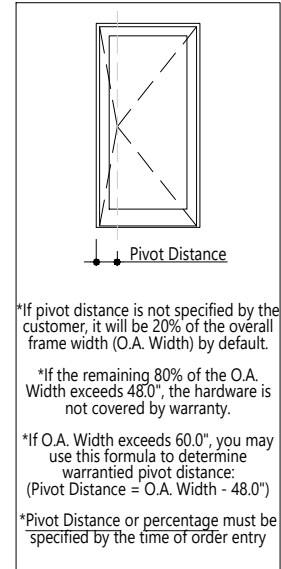
Aluminum

Outswing Pivot Door

Non-thermal



Pivot Location



Scale: 3/8" (10) = 1' (305)

Notes:

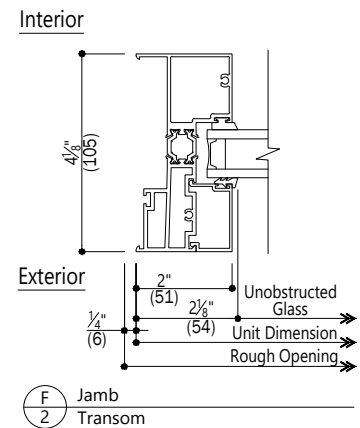
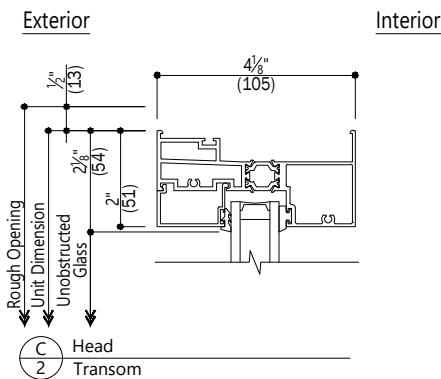
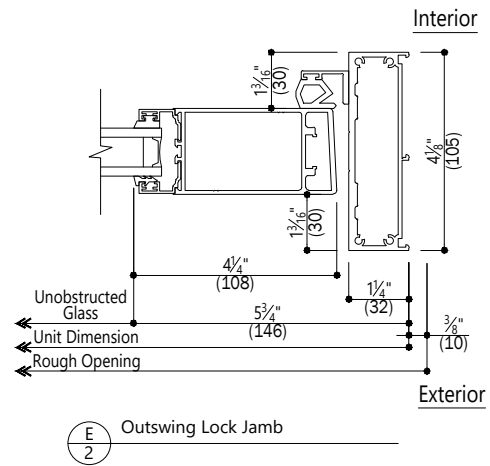
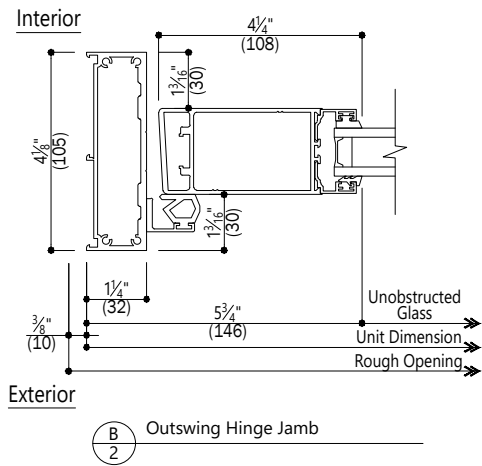
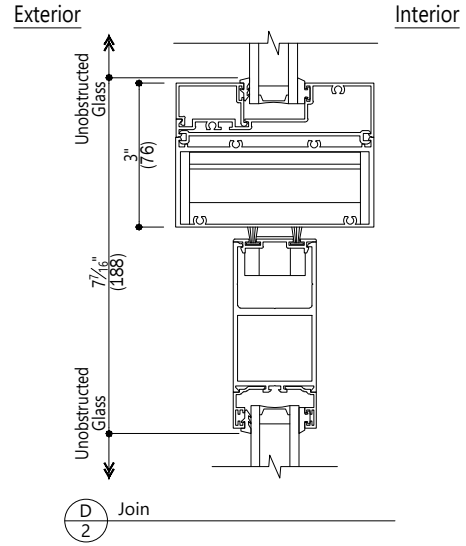
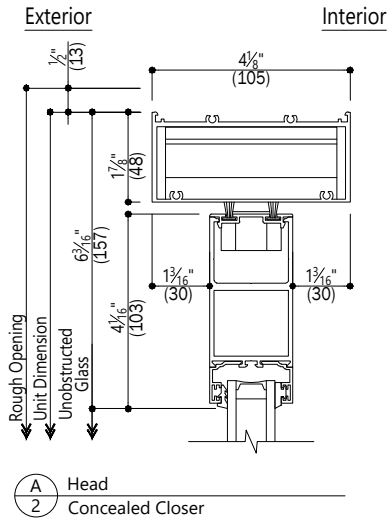
Details have been optimized for use in architectural software and do not match manufacturing specifications.
Dimensions in parentheses are in millimeters.
Andersen Windows, Inc. reserves the right to change drawing specifications without notice.

Date: 05/30/23

Aluminum

Outswing Pivot Door

Non-thermal



Scale: 3" (76) = 1' (305)

Notes:

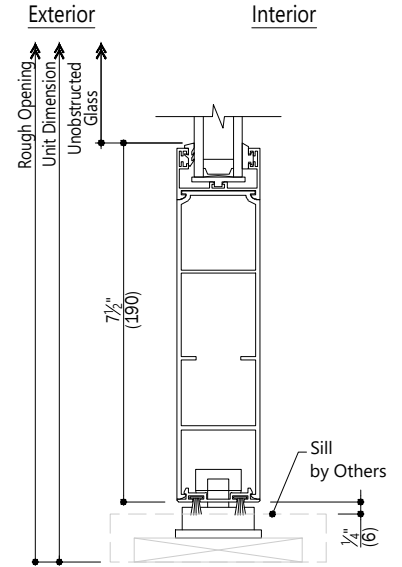
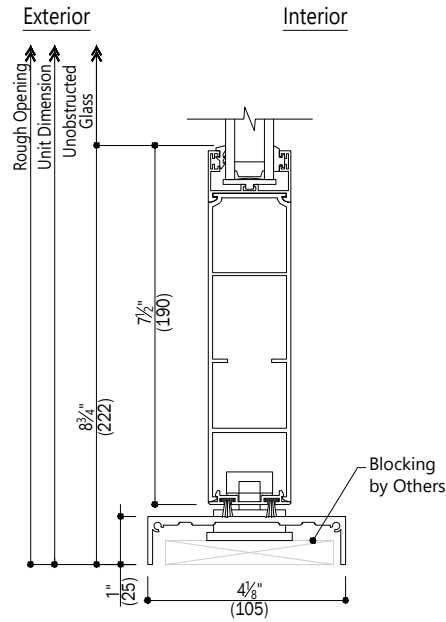
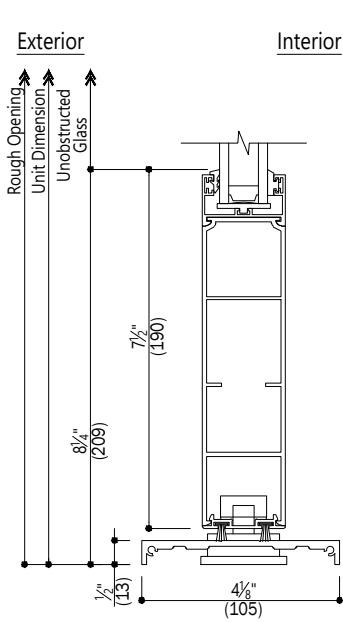
Details have been optimized for use in architectural software and do not match manufacturing specifications. Dimensions in parentheses are in millimeters. Andersen Windows, Inc. reserves the right to change drawing specifications without notice.

Date: 05/30/23

Aluminum

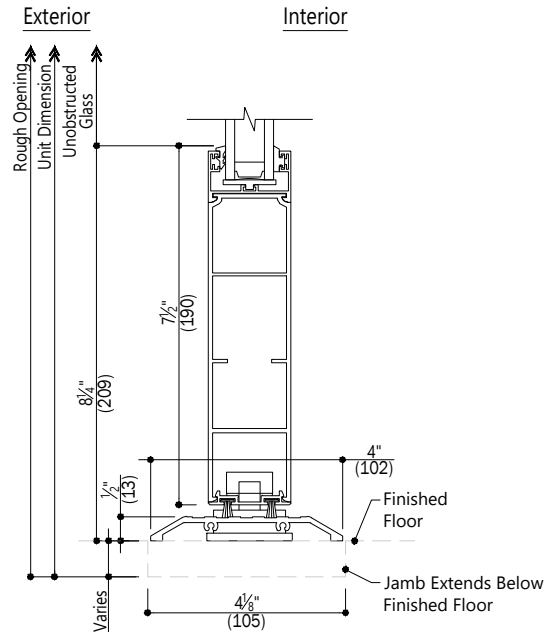
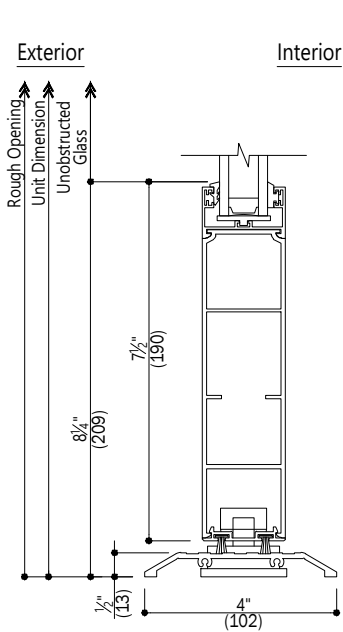
Outswing Pivot Door

Non-thermal



A Sill
3 Sill Height as Specified (between 1/2" and 1" tall)

C Sill by Others



B Low Profile Saddle Sill
3 Sill can be specified to sit on top of finished floors.

Scale: 3" (76) = 1' (305)

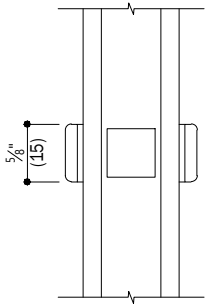
Notes:

Details have been optimized for use in architectural software and do not match manufacturing specifications. Dimensions in parentheses are in millimeters. Andersen Windows, Inc. reserves the right to change drawing specifications without notice.

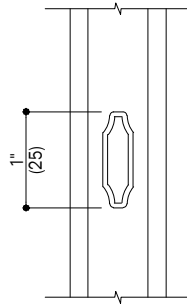
Date: 05/30/23

Aluminum

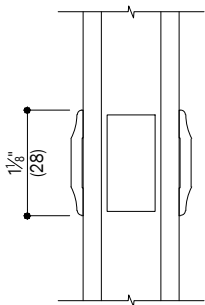
Outswing Pivot Door
Non-thermal



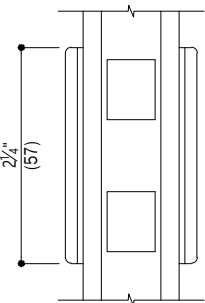
A
4 5/8" Full Divided Light (Flat)



D
4 1" Finelight (Contoured)



B
4 1 1/8" Full Divided Light (Contoured)



C
4 2 1/4" Full Divided Light (Flat Grille)

Scale: 6" (152) = 1' (305)

Notes:

Details have been optimized for use in architectural software and do not match manufacturing specifications.
Dimensions in parentheses are in millimeters.
Andersen Windows, Inc. reserves the right to change drawing specifications without notice.

Date: 05/30/23