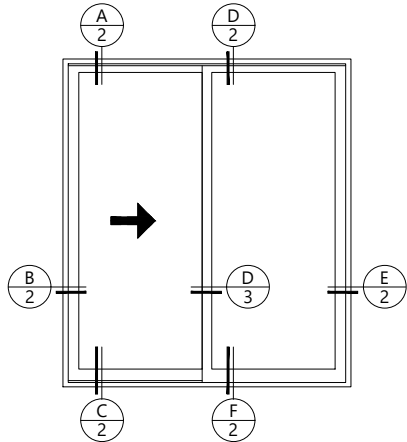
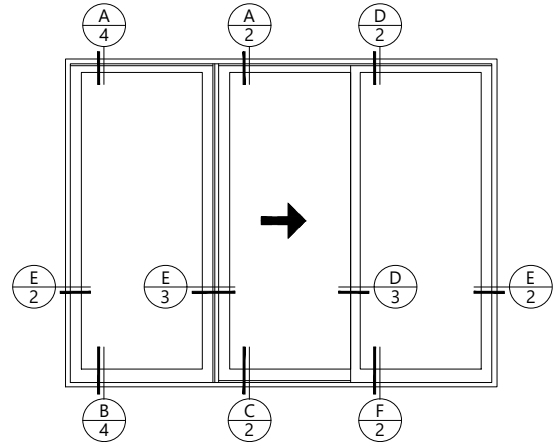


Aluminum

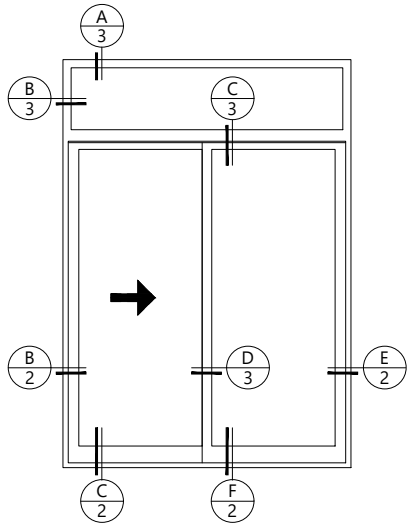
Sliding Glass Door
Thermally Improved



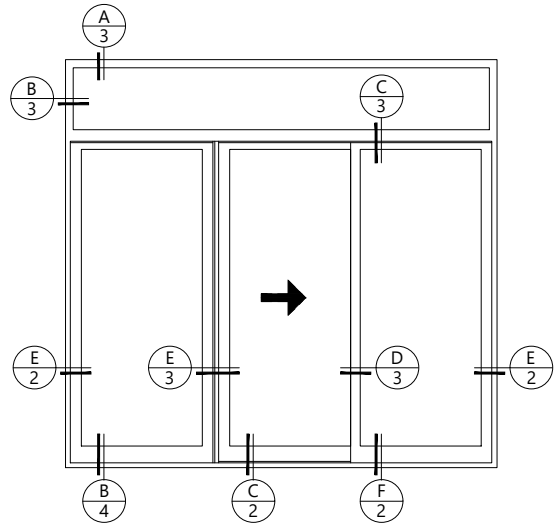
Two Panel Gliding Door
With Tall Bottom Rail



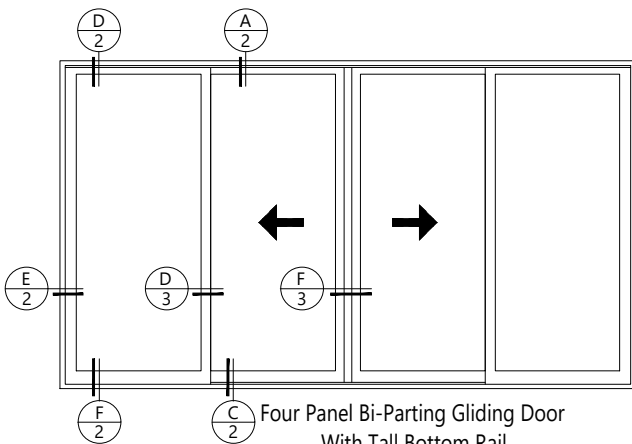
Three Panel Gliding Door
With Tall Bottom Rail



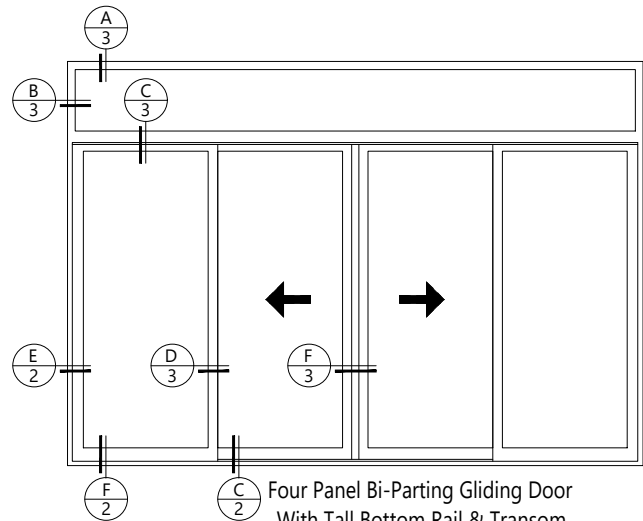
Two Panel Gliding Door
With Tall Bottom Rail & Transom



Three Panel Gliding Door
With Tall Bottom Rail & Transom



Four Panel Bi-Parting Gliding Door
With Tall Bottom Rail



Four Panel Bi-Parting Gliding Door
With Tall Bottom Rail & Transom

Scale: 1/4" (6) = 1' (305)

Notes:

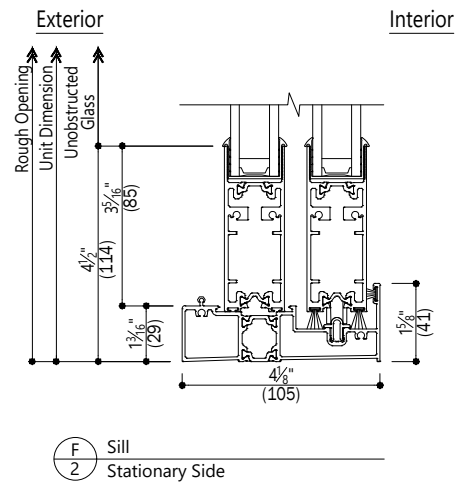
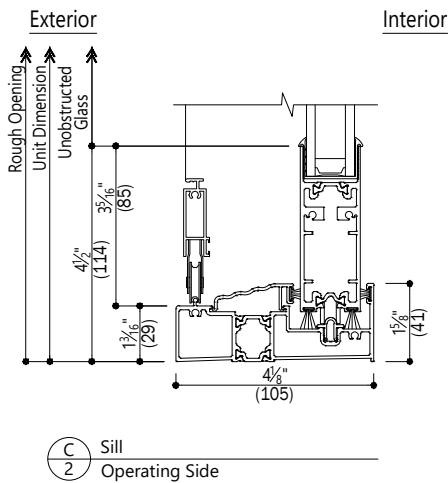
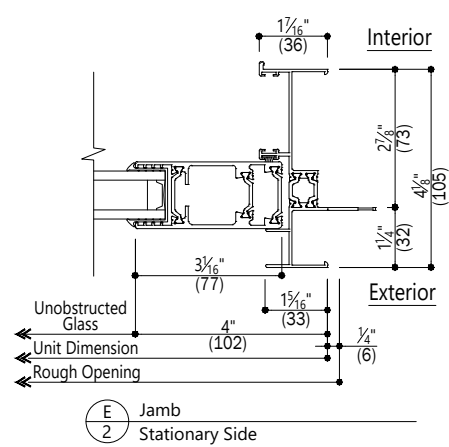
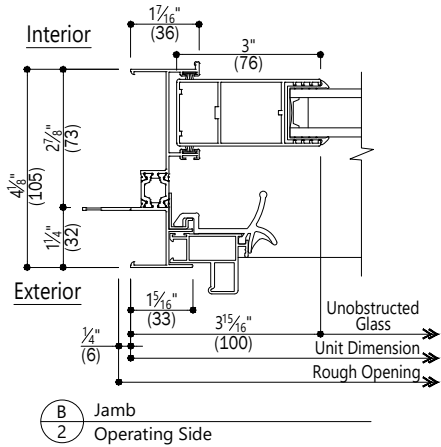
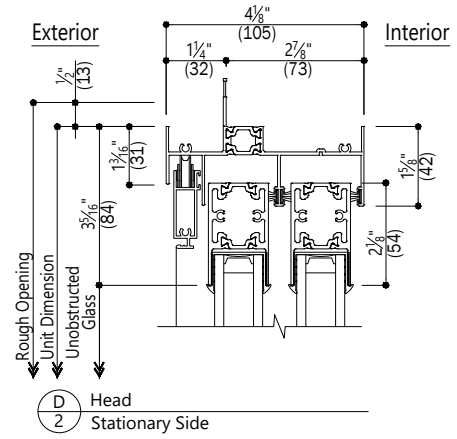
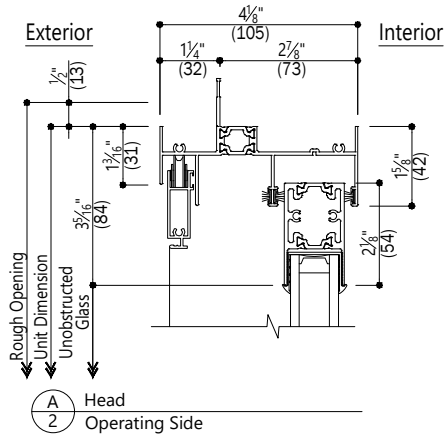
Details have been optimized for use in architectural software and do not match manufacturing specifications.
Dimensions in parentheses are in millimeters.
Andersen Windows, Inc. reserves the right to change drawing specifications without notice.

Date: 05/30/23

Aluminum

Sliding Glass Door

Thermally Improved



Scale: 3" (76) = 1' (305)

Notes:

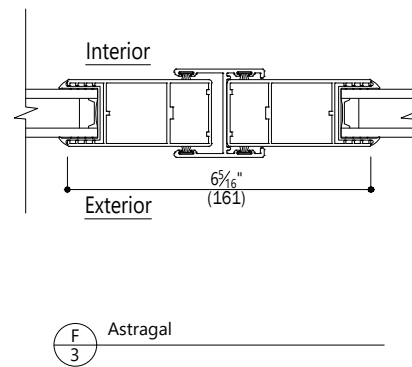
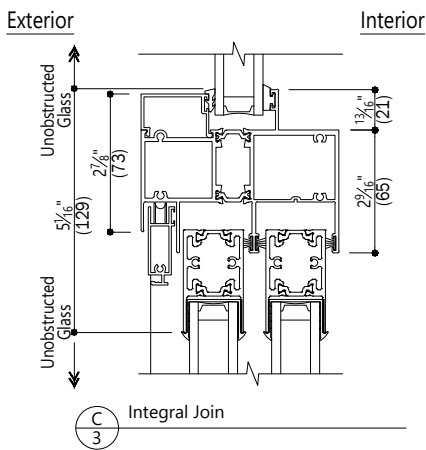
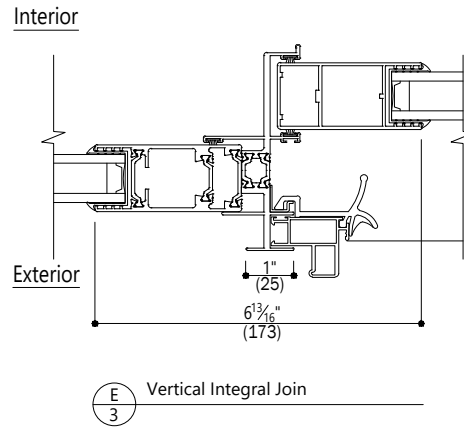
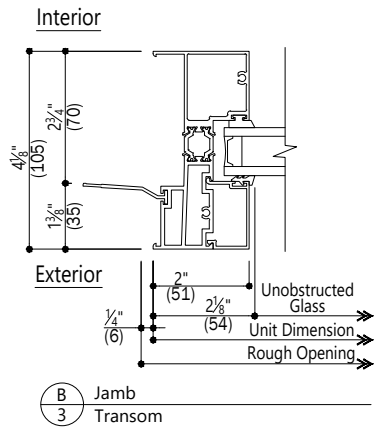
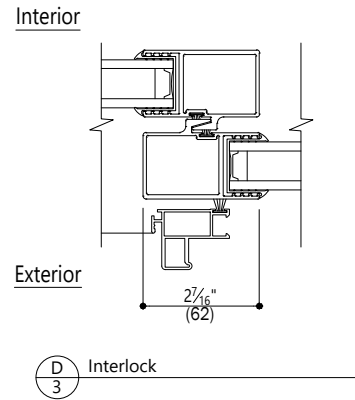
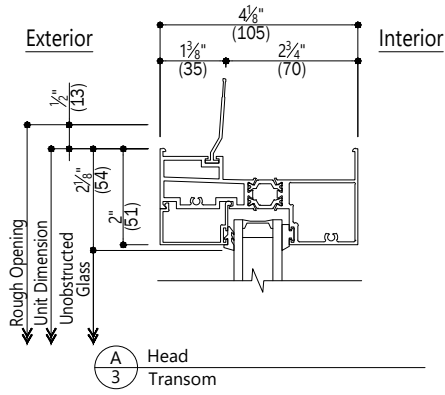
Details have been optimized for use in architectural software and do not match manufacturing specifications. Dimensions in parentheses are in millimeters. Andersen Windows, Inc. reserves the right to change drawing specifications without notice.

Date: 05/30/23

Aluminum

Sliding Glass Door

Thermally Improved



Scale: 3" (76) = 1' (305)

Notes:

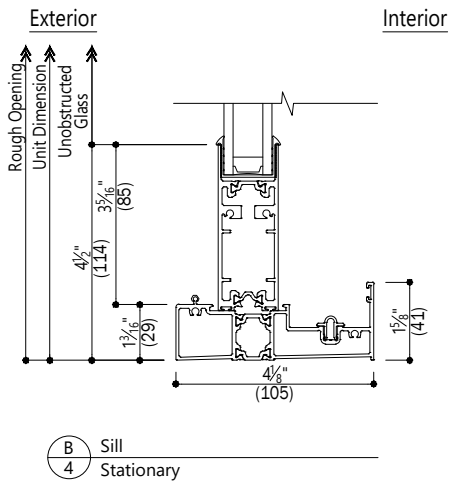
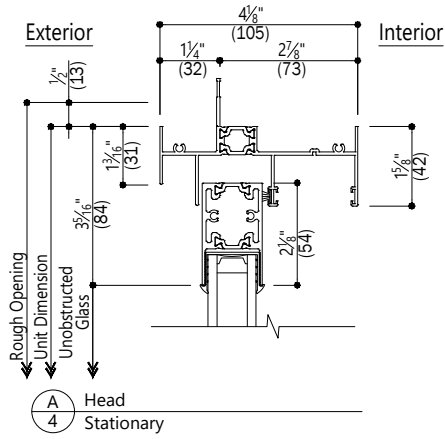
Details have been optimized for use in architectural software and do not match manufacturing specifications. Dimensions in parentheses are in millimeters. Andersen Windows, Inc. reserves the right to change drawing specifications without notice.

Date: 05/30/23

Aluminum

Sliding Glass Door

Thermally Improved



Scale: 3" (76) = 1' (305)

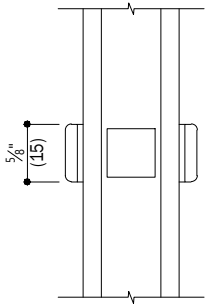
Notes:

Details have been optimized for use in architectural software and do not match manufacturing specifications.
 Dimensions in parentheses are in millimeters.
 Andersen Windows, Inc. reserves the right to change drawing specifications without notice.

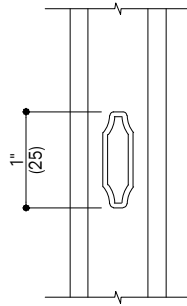
Date: 05/30/23

Aluminum

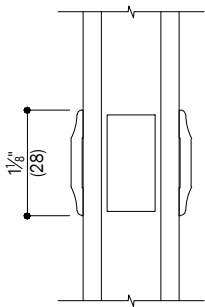
Sliding Glass Door
Thermally Improved



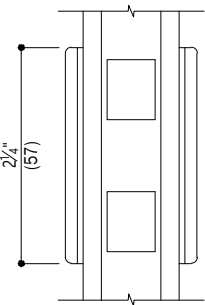
A
5 $\frac{5}{8}$ " Full Divided Light (Flat)



D
5 1" Finelight (Contoured)



B
5 $1\frac{1}{8}$ " Full Divided Light (Contoured)



C
5 $2\frac{1}{4}$ " Full Divided Light (Flat Grille)

Scale: 6" (152) = 1' (305)

Notes:

Details have been optimized for use in architectural software and do not match manufacturing specifications.
Dimensions in parentheses are in millimeters.
Andersen Windows, Inc. reserves the right to change drawing specifications without notice.

Date: 05/30/23