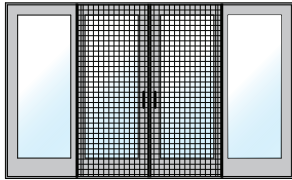


Double Retractable Insect Screen Installation Instructions for:



- **Product Series** - 200 Series, 400 Series, A-Series, E-Series
- **Product Type** - Gliding Patio Doors
- **Panel Operation** - 4-Panel



Stationary-Active-Active-Stationary

Read these instructions and the Product Safety Information before starting procedure.

IMPORTANT

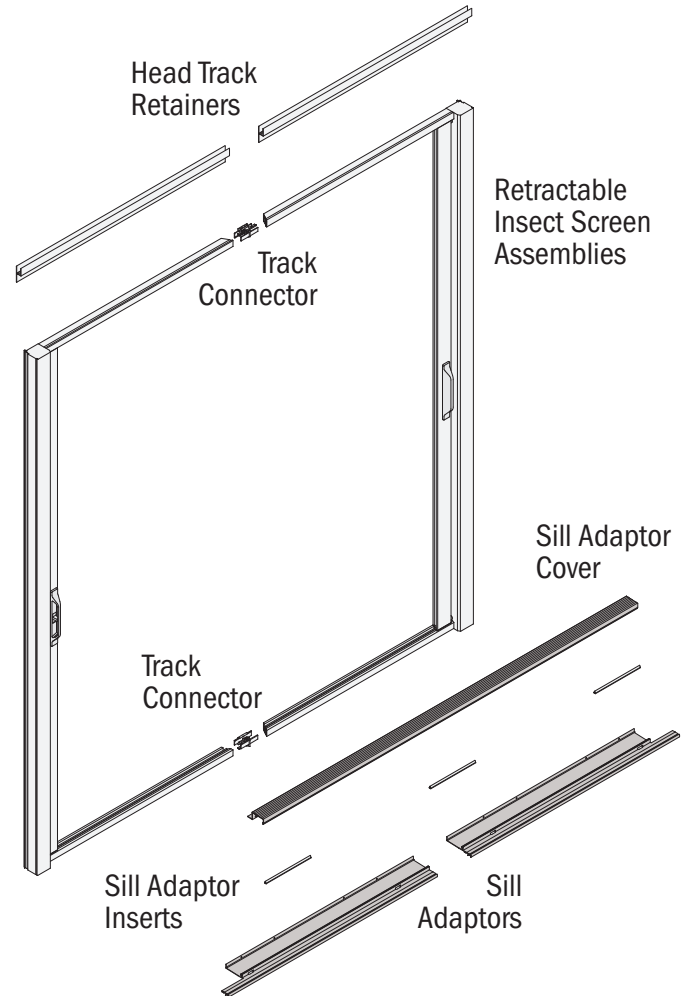
Please Do Not Return Product to Store!

- Call the Andersen Help Line at - **888-888-7020**

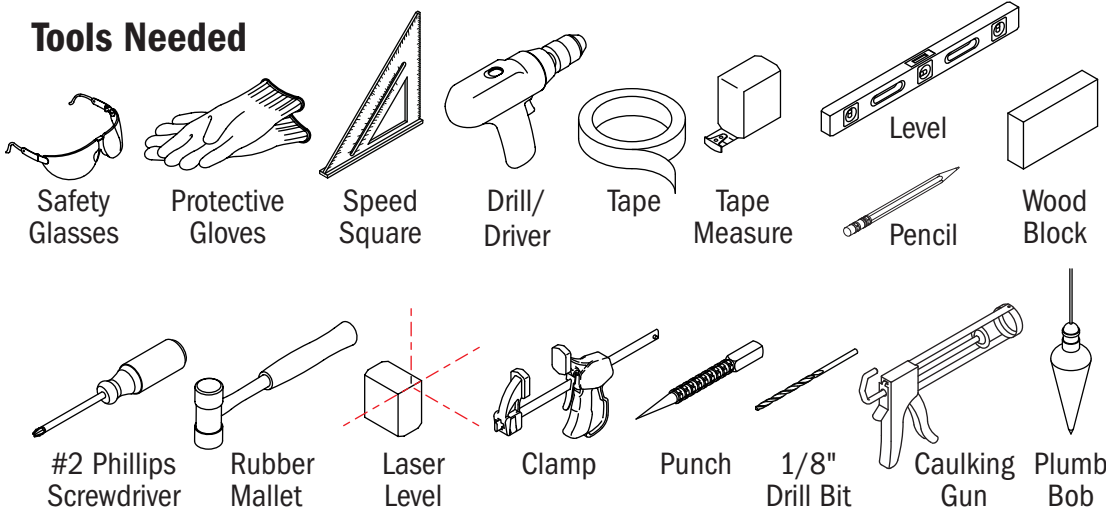
with any questions regarding installation, lost part replacement, or anything else related to your Retractable Insect Screen purchase.

Parts Included:

- Retractable Insect Screen Assembly (2)
- Head Track Retainer (2)
- Screw Pack (2)
- Sill Adaptor Insert (3)
- Sill Adaptor (2)
- Sill Adaptor Cover (200/400 Series, E-Series Only)
- Color Matched Doubles Pack
- Clear Sealant
- Installation Instructions and Safety Information
- Warranty



Tools Needed



NOTICE

- Follow the color coded sections in each step for your specific door series. Failure to do so could result in product or property damage.

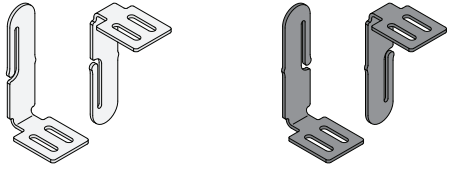
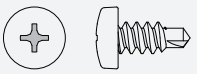
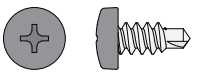

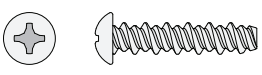
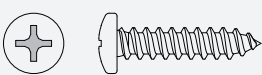
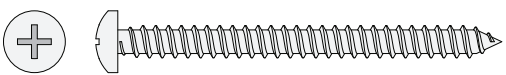
200/400 Series

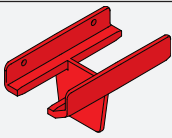
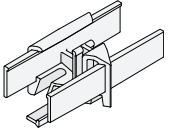

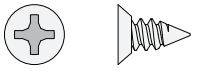
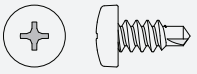
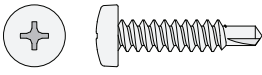
A-Series

E-Series

IMPORTANT

The retractable insect screen is intended for reasonable insect control and not the retention of objects, persons, or pets within the interior. The retractable insect screen will not stop a person from falling through the door.

SCREW PACK CONTENTS (Fasteners shown full size)					QUANTITY		
Description	Type	Material	Finish	200/400 Series	A-Series	E-Series	
 <p>Mounting Brackets</p>	Spring Tension	Stainless Steel	--	1 Pair	1 Pair	1 Pair	
	Spring Tension	Stainless Steel	Black	1 Pair	1 Pair	1 Pair	
 <p>#8 x 3/8" Phillips Pan Head Screw</p>	Self-Drilling	Stainless Steel	--	2	2	9	
 <p>#8 x 3/8" Phillips Pan Head Screw</p>	Self-Drilling	Stainless Steel	Black	2	2	2	
 <p>#8 x 3/8" Phillips Round Head Screw</p>	Thread-Forming	Stainless Steel	--	3	--	3	
 <p>#8 x 3/4" Phillips Round Head Screw</p>	Thread-Forming	Stainless Steel	--	--	3	--	
 <p>#8 x 3/4" Phillips Pan Head Screw</p>	Standard	Stainless Steel	--	4	--	--	
 <p>#8 x 2" Phillips Pan Head Screw</p>	Standard	Stainless Steel	--	3	--	--	



COLOR MATCHED PACK CONTENTS (Fasteners shown full size)					QUANTITY		
Description	Type	Material	Finish	200/400 Series	A-Series	E-Series	
 <p>Installation Aid</p>	--	Plastic	Red		1		
 <p>Track Connector</p>	--	Zinc Die Cast	Color Matched		2		
 <p>Adjustment Slot Plug</p>	--	Plastic	Color Matched		2		
 <p>#8 x 3/8" Phillips Flat Head Screw</p>	Standard	Steel	Zinc Plated		4		
 <p>#8 x 3/8" Phillips Pan Head Screw</p>	Self-Drilling	Stainless Steel	Color Matched		1		
 <p>#8 x 3/4" Phillips Pan Head Screw</p>	Self-Drilling	Stainless Steel	--		1		

Important Safety and Product Information for Andersen® Windows and Doors



This is the Safety Alert Symbol used to alert you to potential injury hazards. Obey all safety messages that follow this symbol to avoid possible injury or death.

Signal Word and Consequence

COULD Result in:	 WARNING Major Injury/Death	COULD Result in:	 CAUTION Minor Injury
COULD Result in:	NOTICE Product or Property Damage		IMPORTANT Procedure and Product Information

Read this Important Safety and Product Information completely before starting.

Safety and Product Information Index

- Tools
- Handling
- Installation
- Sealing
- Fastening
- Finishing
- Glass
- Protective Film
- Cleaning
- Use/Operation
- Joining
- Product Information

- Leave this installation instruction with the home/building owner.
- For additional support or help please go to: andersenwindows.com and visit our Help Center.
- To configure installation instructions go to: andersenwindows.com/installation

Tools

WARNING

- Follow manufacturers' instructions for hand and power tools. Always wear safety glasses. Failure to do so could result in injury, product or property damage.

Handling

WARNING

- Windows and doors can be heavy. Use safe lifting techniques and a reasonable number of people with enough strength to lift, carry, and install window and door products. Heavier windows and doors will require mechanical assistance. Failure to do so could result in injury, product or property damage.
- **DO NOT** lift or carry window or door by the exterior trim, extension jambs, hardware, or accessories. Doing so could result in injury, product or property damage.
- Windows, doors, and installation components can have sharp edges. Wear protective equipment when handling. Failure to do so could result in injury.
- **DO NOT** drag, rock, cartwheel, or walk windows, doors, sash, or panels across the floor. Doing so could result in product or property damage.

Installation

WARNING

- Use caution when working at elevated heights and around window and door openings. Follow the manufacturers' instructions for ladders and scaffolding. Failure to do so could result in injury or death.
- Support window or door in opening at all times until fully fastened. Failure to do so could result in window or door falling out causing injury, property or product damage.
- Windows and doors have small parts (e.g. hole plugs, operator spline caps, fasteners, etc.). Small parts if swallowed could pose a choking hazard to young children. Dispose of unused, loose, or easily removed small parts. Failure to do so could result in injury.
- Protect surfaces from tool contact. Failure to do so could result in injury, product damage, or surface marring.

Installation (Continued)

NOTICE

- Andersen head flashing and installation flanges **DO NOT** take the place of window and door flashing tape or liquid flashing. Window or door must be properly flashed and sealed with a material compatible sealant for protection against water and air infiltration. Failure to do so could result in product or property damage.
- **DO NOT** set window or door directly on installation flange. Doing so could affect product performance, and could result in product or property damage.
- **DO NOT** set window directly on sill plate. Elevate window with shims under the side jambs. Failure to do so could affect operation and product performance, and could result in product damage.
- Window or door must be properly shimmed. Failure to do so could affect operation and product performance, and could result in product damage.
- A continuous full perimeter interior seal between window or door frame and opening is required. Failure to do so will affect product performance, and could result in product or property damage.
- Protect window and door sills during installation and throughout construction. Failure to do so could result in product damage.
- **DO NOT** remove window or door packaging material until instructed to do so. Doing so could result in product damage.

Sealing

CAUTION

- Follow instructions of foam, sealant, and flashing manufacturers regarding safety, material application, compatibility, and periodic maintenance for continued weather resistance of their products. Failure to do so could result in injury, product or property damage.

NOTICE

- Clean and prepare surfaces receiving sealant following sealant manufacturer's instructions. Failure to do so could result in water infiltration causing product or property damage.
- **DO NOT** use abrasive cleaners or solvents when cleaning Fibrex® material. Doing so could result in product damage. Go to andersenwindows.com for a list of recommended cleaners.

Fastening

WARNING

- Metal fasteners and components could corrode when exposed to preservative-treated or fire-retardant treated lumber. Use approved fasteners and components to fasten window or door. Failure to do so could cause a failure resulting in injury, product or property damage.
- Fastener must attach to a structural framing member with a 1-1/2" minimum fastener embedment. Failure to do so could result in injury, product or property damage.
- **DO NOT** remove screws that attach installation clips or gusset plates to window or door frames. Doing so could result in injury, product or property damage.

NOTICE

- Use masonry screws when fastening directly into masonry or through a buck into masonry. Failure to do so could affect product performance, and could result in product or property damage.
- **DO NOT** over drive screws or nails. Doing so could result in product damage.
- Fasteners must be attached to a structural framing member. Failure to do so will reduce the structural performance to less than published values and could affect product performance, and could result in product or property damage.

Finishing

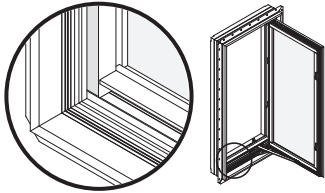
NOTICE

- **DO NOT** stain or paint weatherstrip, vinyl, glass, or hardware. Doing so could result in product damage.
- Read and follow finish manufacturer's instructions and safety information. Failure to do so could result in product damage.
- **DO NOT** over load brush with stain or paint when finishing. Doing so could allow finish to wick between glass stop or grille, and glass.

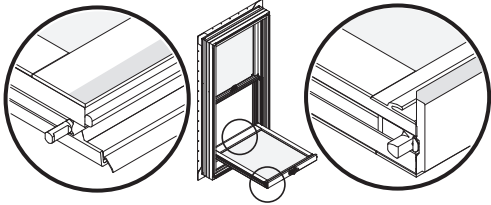
Finishing (Continued)

NOTICE

- Finish all wood surfaces immediately after installation. Unfinished wood will deteriorate, discolor, and could bow or split. Some surfaces are hidden from view.



- Some products are shipped unassembled, and it may be more convenient to finish wood surfaces for these products prior to assembly and installation.



Glass

WARNING

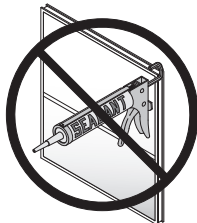
- Unless specifically ordered, Andersen windows are not equipped with safety glass, and if broken, could fragment causing injury. Many laws and building codes require safety glass in locations adjacent to or near doors. Andersen windows are available with safety glass that could reduce the likelihood of injury when broken. Information on safety glass is available from your local Andersen dealer.

- Tempered or laminated safety glass is not standard for windows and must be special ordered. Check local building codes for required locations. Failure to do so could result in injury, product or property damage.

NOTICE

- **DO NOT** apply any type of film to insulating glass. Doing so could cause thermal stress conditions and result in glass damage. Shading devices (e.g. insulated coverings, shutters, etc.) could also cause thermal stress and condensation causing deterioration of windows or doors.

- **DO NOT** use sealants on exterior or interior glass surface.



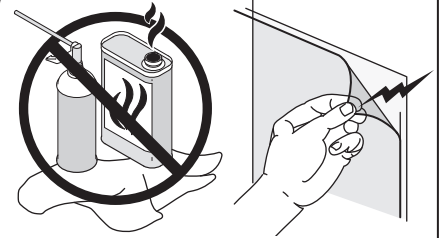
Protective Film

WARNING

- **DO NOT** place suction grips over film seams on glass. Suction grips will not hold if placed over film seam to lift or move window or door. Window or door will fall and could result in injury, product or property damage.



- **DO NOT** remove any protective film near flammable materials. Static charge created when removing film can ignite flammable materials or cause a shock. Doing so could result in injury, product or property damage. See warning label on glass.



- Dispose of protective film immediately after removing. Failure to do so could pose a suffocation hazard to children.

NOTICE

- **DO NOT** remove protective film from glass until after construction is completed. Doing so could allow glass to be damaged.

- Remove protective film from non-glass components immediately after installation. Failure to do so could result in product damage.

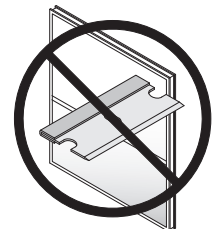
Cleaning

NOTICE

- Acid solutions used for cleaning masonry or concrete will damage all components of window or doors. Protect window or door and follow cleaning product manufacturer's instructions. If acid contacts window or door, wash all surfaces immediately with clean water.

- **DO NOT** use or apply solvents, abrasives, harsh chemicals or cleaners to window or door components. Doing so will result in product damage. For a list of recommended cleaners go to: andersenwindows.com

- **DO NOT** use metal razor blades to clean glass surface. Glass damage could result.



Use/Operation

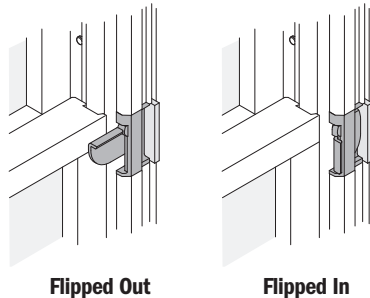
WARNING

- **DO NOT** stand in front of or near windows or doors during a storm. Doing so could result in injury. Accessories such as grilles, art glass, and insect screens could dislodge and become airborne if window or door is impacted by wind-borne debris from severe storms or hurricane strength winds. In the event of a storm, remove all accessories from windows or doors and move to a safe location.

- **DO NOT** install air conditioner in window. Doing so could result in injury, product or property damage.



- Wind load brackets must be flipped out when not tilting or cleaning. If wind load brackets are not flipped out, window could blow in resulting in potential injury and/or product damage.



CAUTION

- **DO NOT** attach objects or accessories to window or door except Andersen® products specifically designed for the window or door. Doing so could result in injury, product or property damage.

Joining

WARNING

- **DO NOT** join any window or door, horizontally or vertically, to any window or door not designed for joining. Doing so could result in injury, product or property damage.

- Joined windows or doors must be individually supported in the opening. Failure to do so could affect operation and product performance, and could result in product or property damage.

Product and General Information

IMPORTANT

- Buildings constructed prior to 1978 could contain lead paint which could be disturbed during window or door replacement. For more information on proper management of lead paint, go to: www.epa.gov/lead

- Instructions may not be right for all installations due to building design, construction materials, or methods used and/or building or site conditions. Consult a contractor or architect for recommendations.

- Installation flanges may need to be removed for some installations. (e.g. masonry, replacement), or where exterior finish is already applied (e.g. siding, brick veneer, stucco).

- Installation flange on the window or door alone will not properly flash and seal the window or door.

- **DO NOT** remove band, plastic ties, or packing clips from window or door until instructed.

- **DO NOT** remove performance (NFRC) label until after final inspection. Doing so could delay final inspection and sign-off by the code official.

- Check with your local building code official to identify and confirm compliance with local building code requirements.

- Contact local authorities or waste management company for proper recycling and disposal instructions for removed window or door.

- For cleaning instructions for window and door components go to: andersenwindows.com.

- During construction protect products from construction debris, harsh chemical such as brick wash, roof runoff, and cement/masonry which can cause damage to window and door products.

- Protective film is not present on all windows or doors. Protective film is not a substitute for masking.

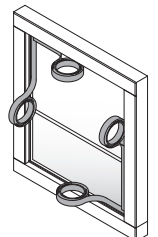
- Remove protective film from glass within six (6) months of installation and when temperature is above 32° F.

- Remove protective film by peeling from seam or corner. Use a plastic scraper to start if needed.

- Extension jambs can be factory applied on some windows or field applied prior to installation. **DO NOT** apply extension jambs prior to window or door installation that will be fastened with installation clips. Doing so could prevent access to installation clips for fastening.

- For extension jamb application refer to instructions included with part(s) or go to: andersenwindows.com

- Use painters masking tape for protecting products during construction. Avoid using duct or packaging tapes.



1

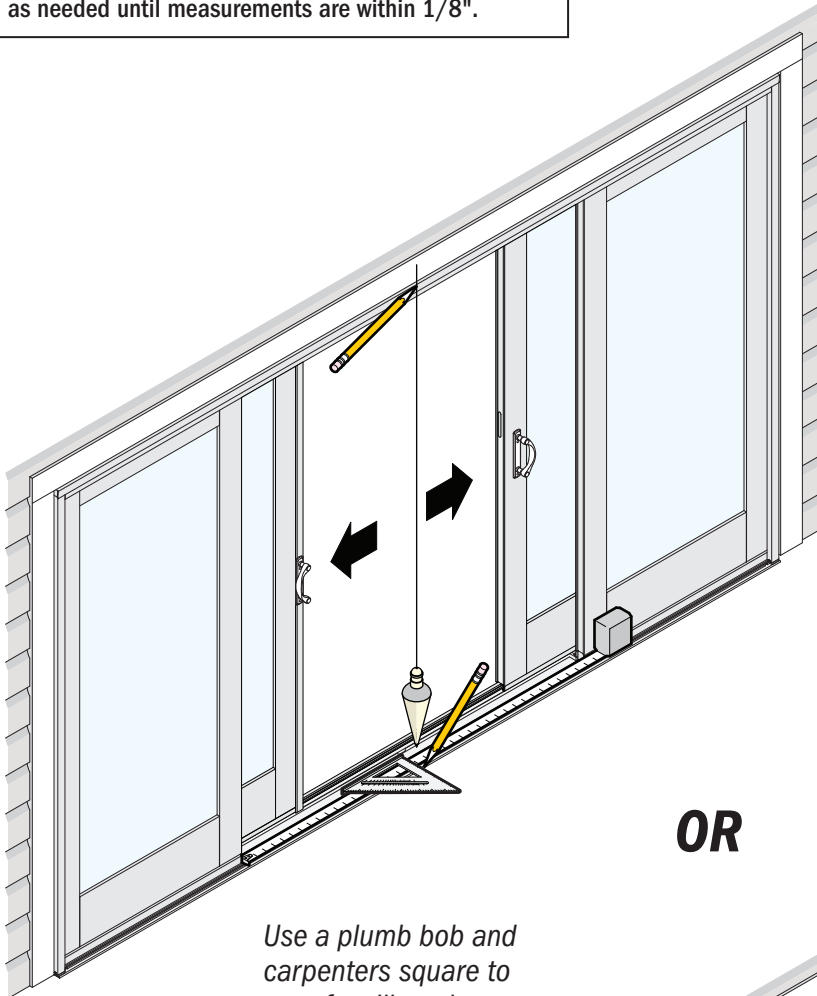
200/400 Series

A-Series

E-Series

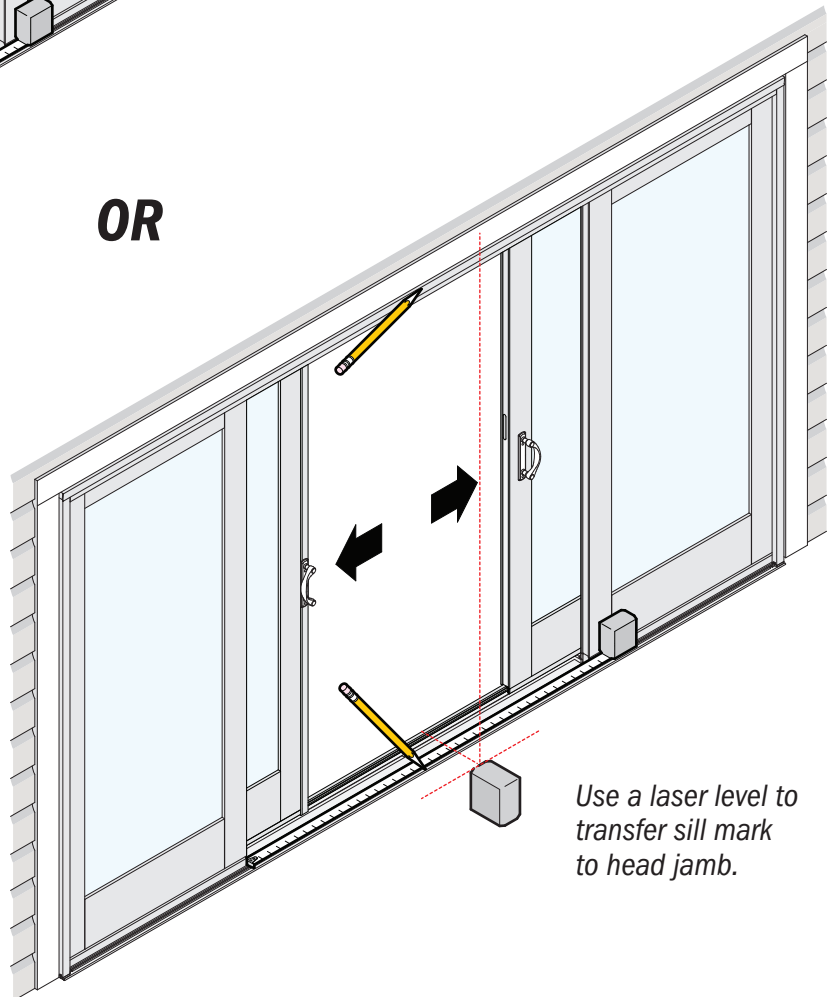
IMPORTANT

- Verify Patio Door is plumb, level, and square. Correct as needed until measurements are within 1/8".



OR

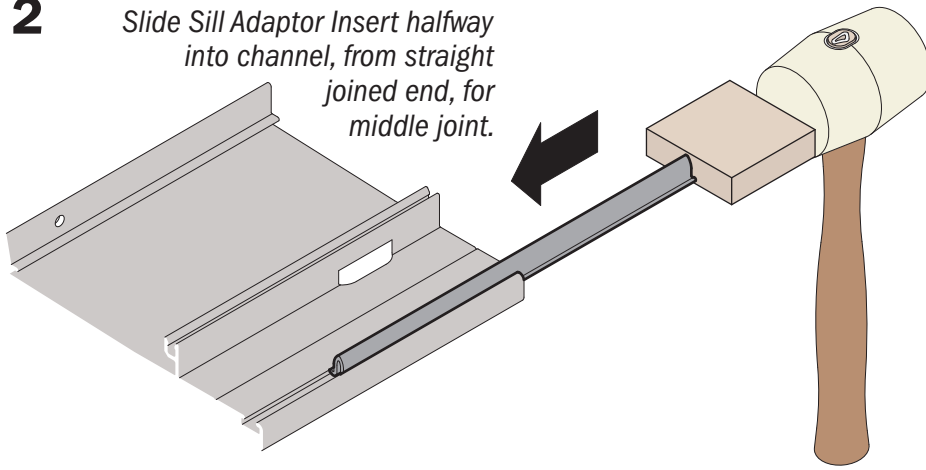
Use a plumb bob and carpenter's square to transfer sill mark to head jamb.



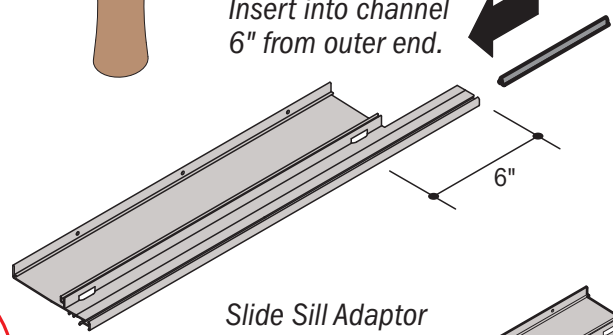
Use a laser level to transfer sill mark to head jamb.

Open both patio door panels. Measure and mark midpoint on sill lip between the stationary panels. Transfer sill mark to head jamb using a plumb bob or laser level.

2 Slide Sill Adaptor Insert halfway into channel, from straight joined end, for middle joint.



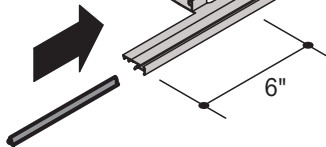
Slide Sill Adaptor Insert into channel 6" from outer end.



1st

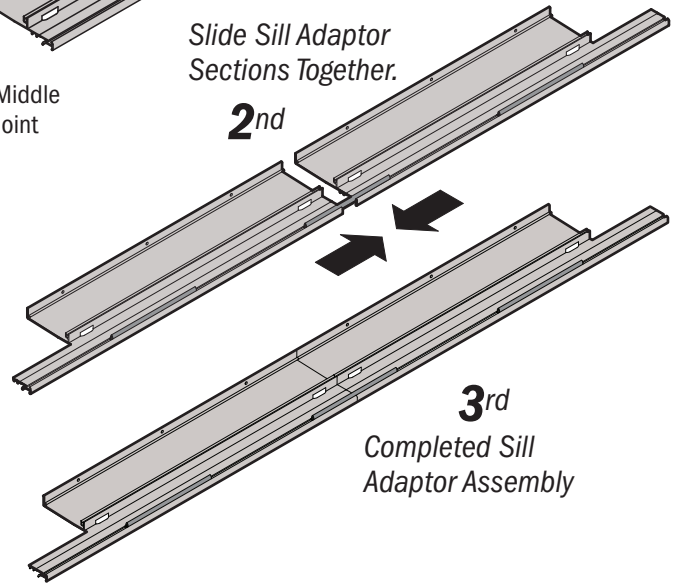
Middle Joint

Slide Sill Adaptor Insert into channel 6" from outer end.



Slide Sill Adaptor Sections Together.

2nd



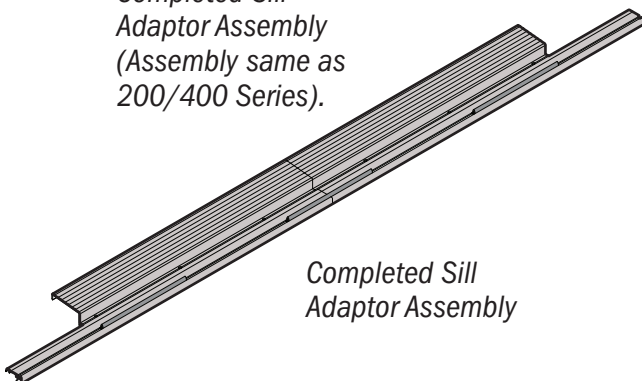
3rd

Completed Sill Adaptor Assembly

Slide Sill Adaptor Inserts into channel and position Sill Adaptor sections together as shown. Use a rubber mallet and block to tap Sill Adaptor insert into channel, if needed.

A-Series

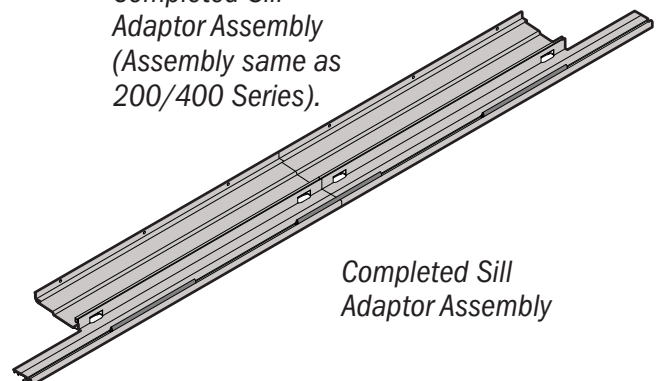
Completed Sill Adaptor Assembly (Assembly same as 200/400 Series).



Completed Sill Adaptor Assembly

E-Series

Completed Sill Adaptor Assembly (Assembly same as 200/400 Series).



Completed Sill Adaptor Assembly

Slide Sill Adaptor Inserts into channel and position Sill Adaptor sections together as shown. Use a rubber mallet and block to tap Sill Adaptor insert into channel, if needed.

3

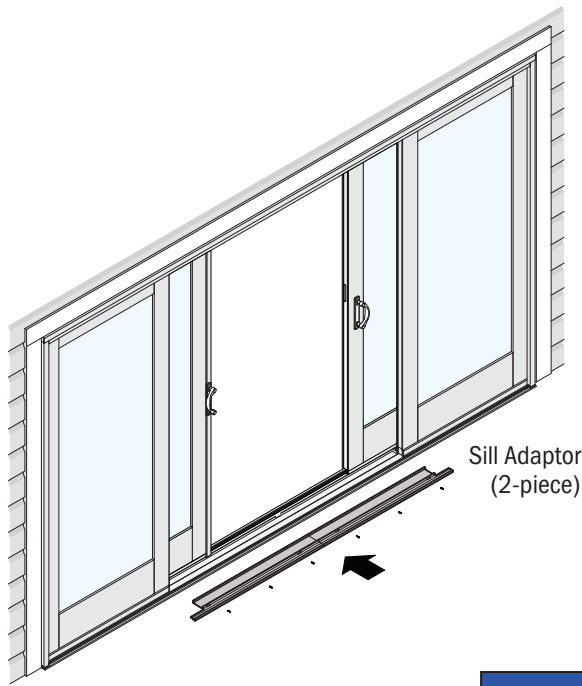
200/400 Series

#8 x 3/8"
Stainless
Steel Thread-Forming Screw



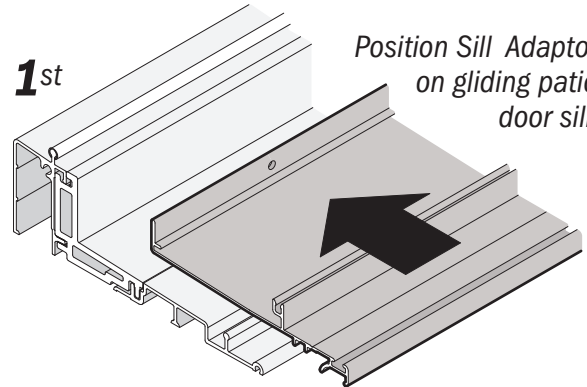
NOTICE

- Protect surfaces from tool contact. Failure to do so could result in surface marring or product damage.



1st

Position Sill Adaptor on gliding patio door sill.

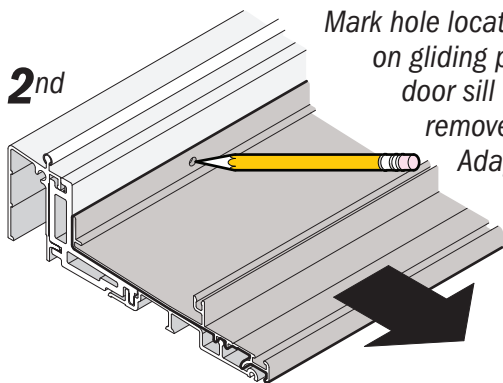


NOTICE

- Only drill through first wall of component part, typically about 1/8". Failure to do so could result in product or property damage.

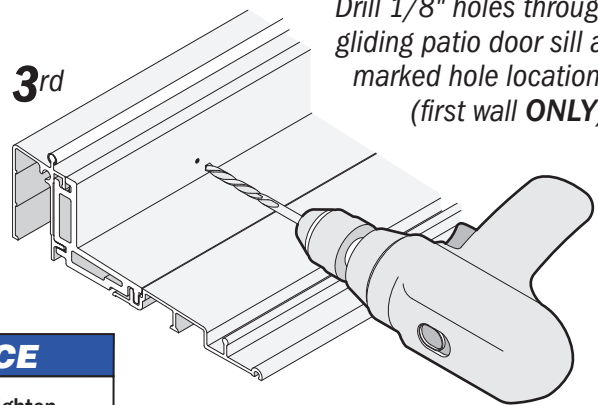
2nd

Mark hole locations on gliding patio door sill then remove Sill Adaptor.



3rd

Drill 1/8" holes through gliding patio door sill at marked hole locations (first wall **ONLY**).

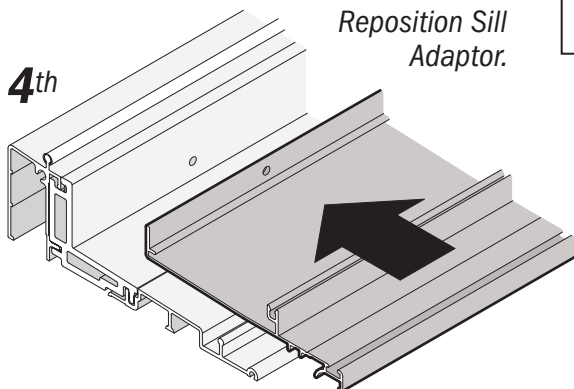


NOTICE

- **DO NOT** overtighten screws. Doing so could result in product damage.

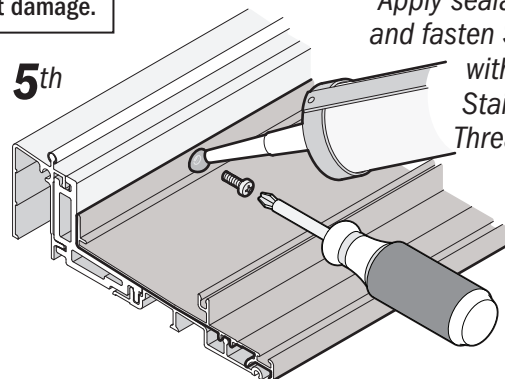
4th

Reposition Sill Adaptor.



5th

Apply sealant in holes and fasten Sill Adaptor with #8 x 3/8" Stainless Steel Thread-Forming Screws.



Center Sill Adaptor assembly on patio door sill, aligning with midpoint mark. Mark hole locations, drill 1/8" holes through the first sill wall **ONLY**, clear debris, reposition Sill Adaptor, apply sealant in holes, and fasten with #8 x 3/8" Stainless Steel Thread-Forming Screws. **DO NOT** overtighten screws.

3 (continued)

NOTICE

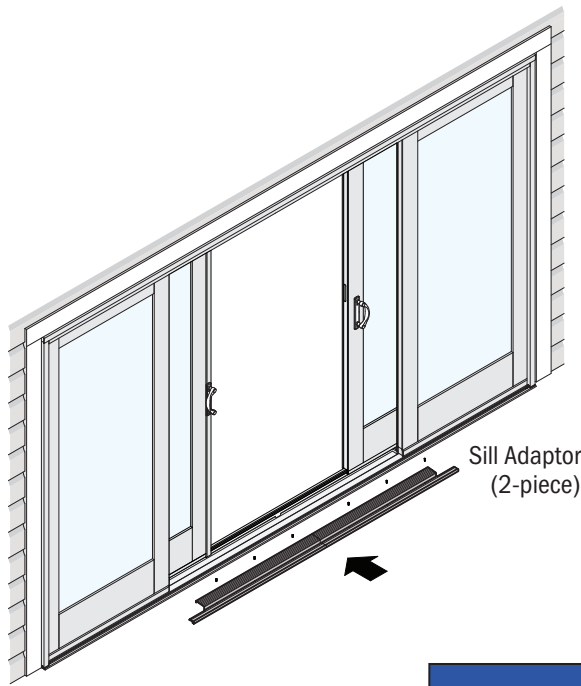
- Protect surfaces from tool contact. Failure to do so could result in surface marring or product damage.

A-Series

#8 x 3/4"
Stainless



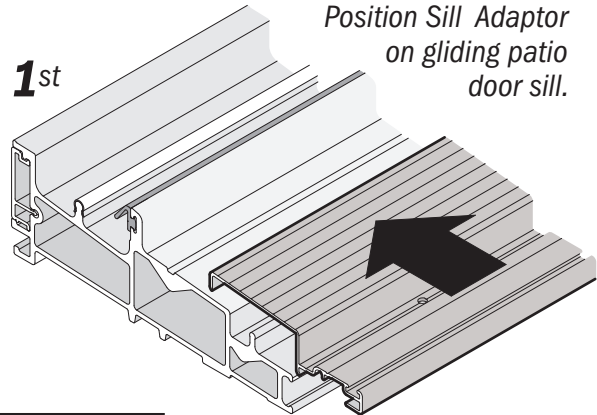
Steel Thread-Forming Screw



Sill Adaptor
(2-piece)

1st

Position Sill Adaptor
on gliding patio
door sill.

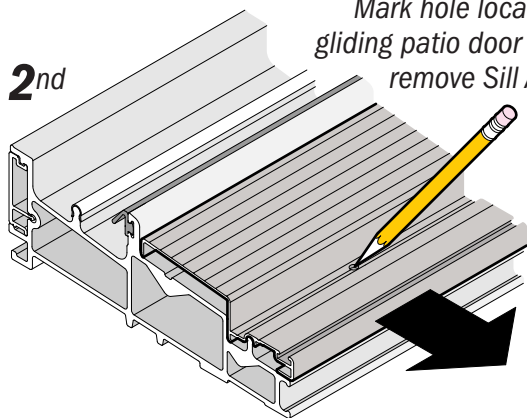


NOTICE

- Only drill through first wall of component part, typically about 1/8". Failure to do so could result in product or property damage.

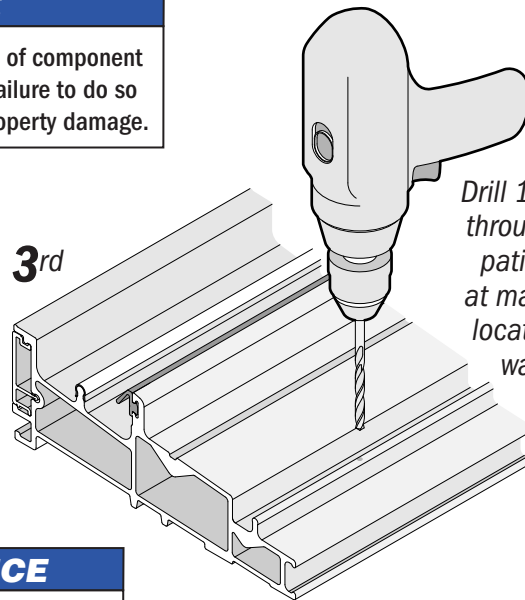
2nd

Mark hole locations on
gliding patio door sill then
remove Sill Adaptor.



3rd

Drill 1/8" holes
through gliding
patio door sill
at marked hole
locations (first
wall **ONLY**).

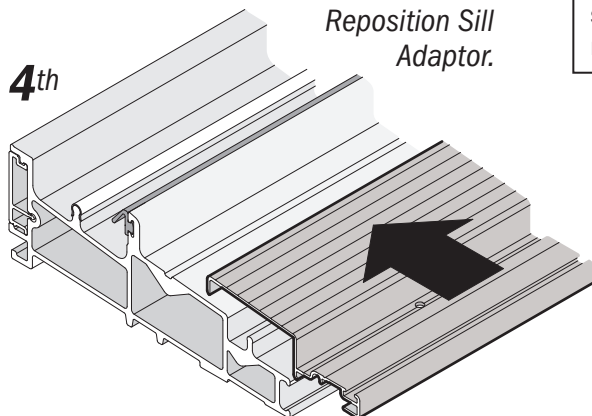


NOTICE

- **DO NOT** overtighten screws. Doing so could result in product damage.

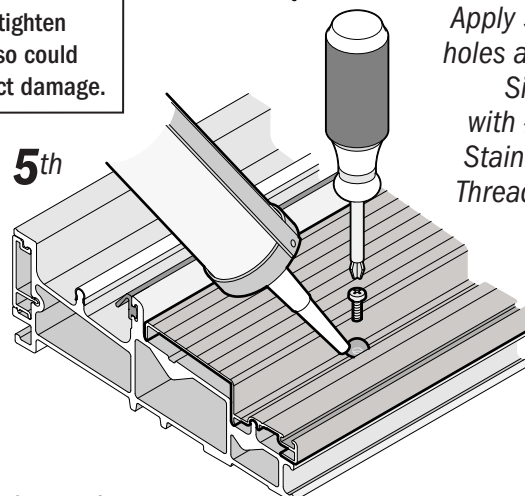
4th

Reposition Sill
Adaptor.



5th

Apply sealant in
holes and fasten
Sill Adaptor
with #8 x 3/4"
Stainless Steel
Thread-Forming
Screws.



Center Sill Adaptor assembly on patio door sill, aligning with midpoint mark. Mark hole locations, drill 1/8" holes through the first sill wall **ONLY**, clear debris, reposition Sill Adaptor, apply sealant in holes, and fasten with #8 x 3/4" Stainless Steel Thread-Forming Screws. **DO NOT** overtighten screws.

3 (continued)

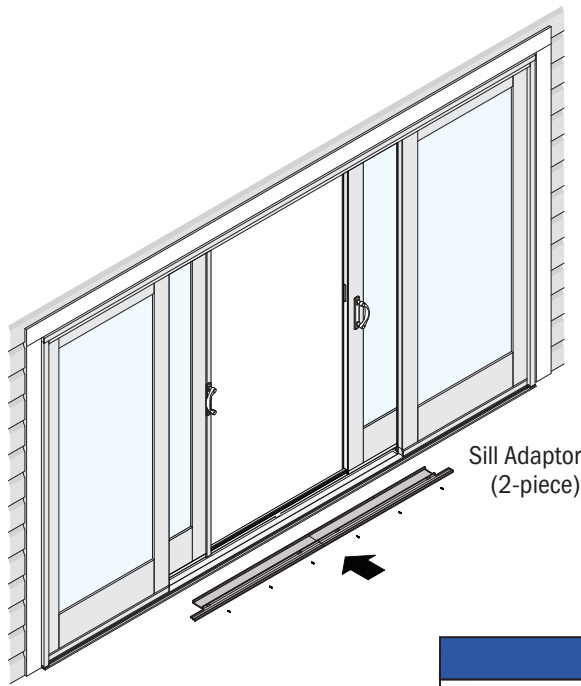
E-Series

#8 x 3/8"
Stainless
Steel Thread-Forming Screw



NOTICE

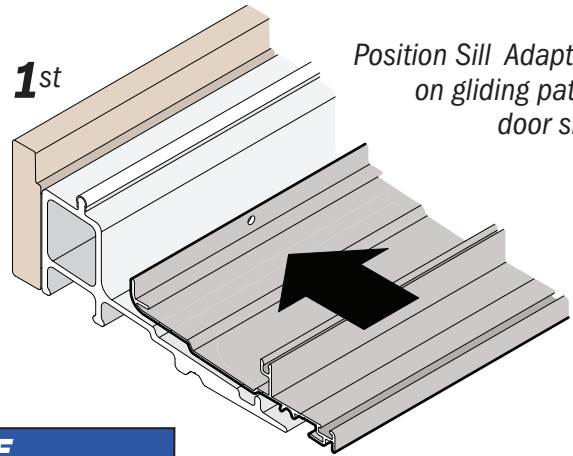
- Protect surfaces from tool contact. Failure to do so could result in surface marring or product damage.



Sill Adaptor
(2-piece)

1st

Position Sill Adaptor
on gliding patio
door sill.

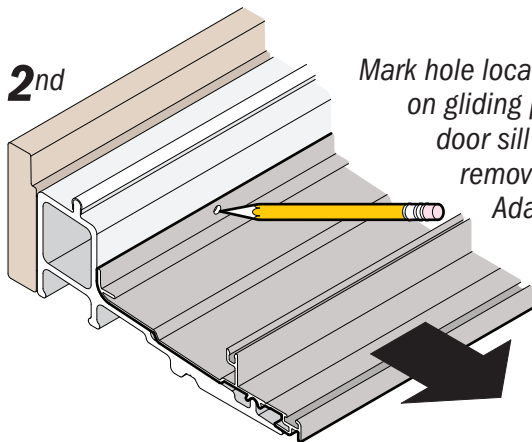


NOTICE

- Only drill through first wall of component part, typically about 1/8". Failure to do so could result in product or property damage.

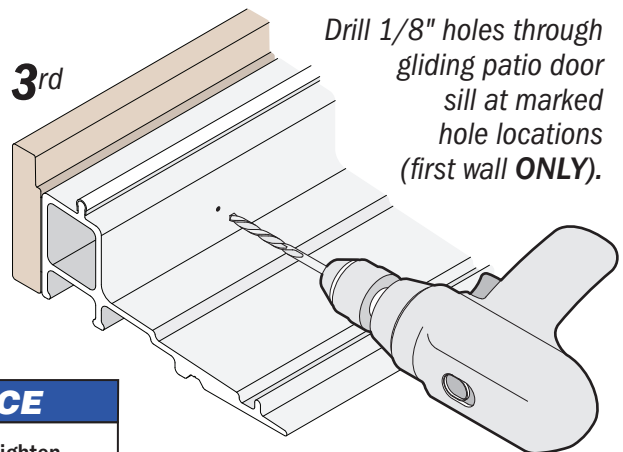
2nd

Mark hole locations
on gliding patio
door sill then
remove Sill
Adaptor.



3rd

Drill 1/8" holes through
gliding patio door
sill at marked
hole locations
(first wall **ONLY**).

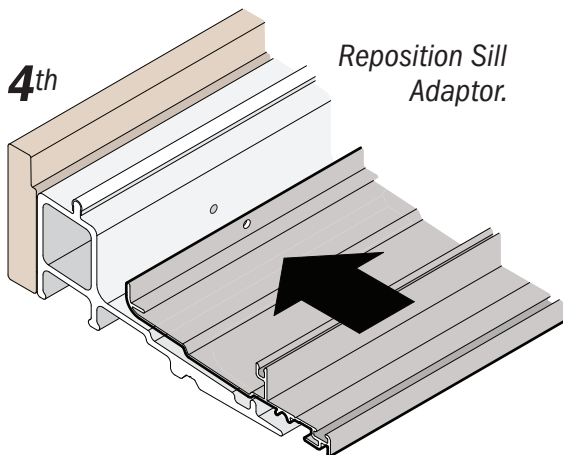


NOTICE

- **DO NOT** overtighten screws. Doing so could result in product damage.

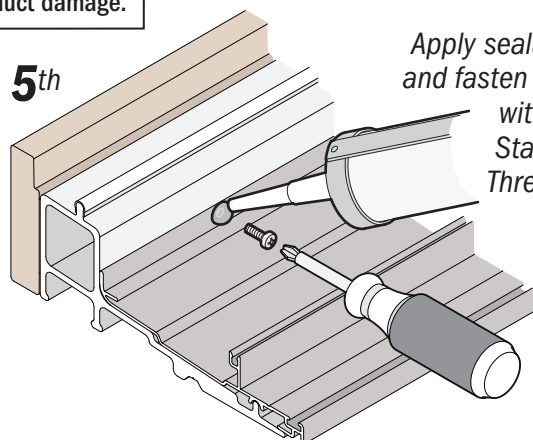
4th

Reposition Sill
Adaptor.



5th

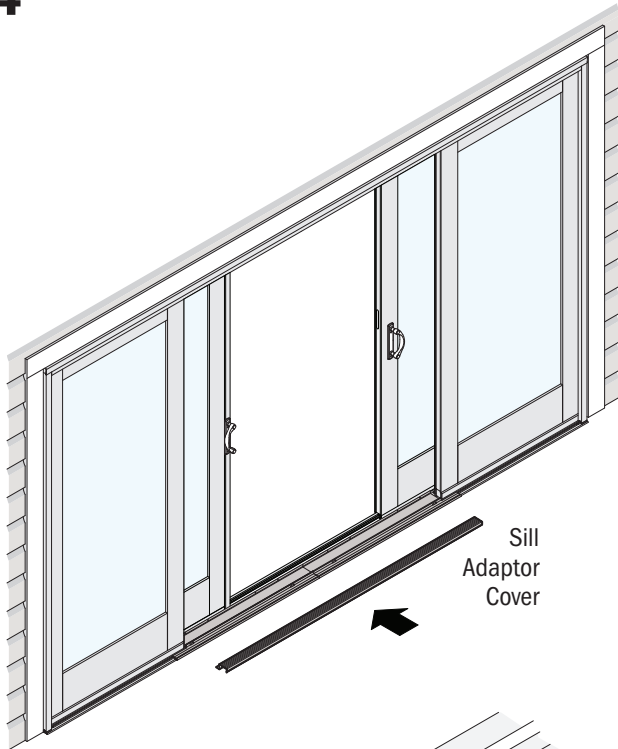
Apply sealant in holes
and fasten Sill Adaptor
with #8 x 3/8"
Stainless Steel
Thread-Forming
Screws.



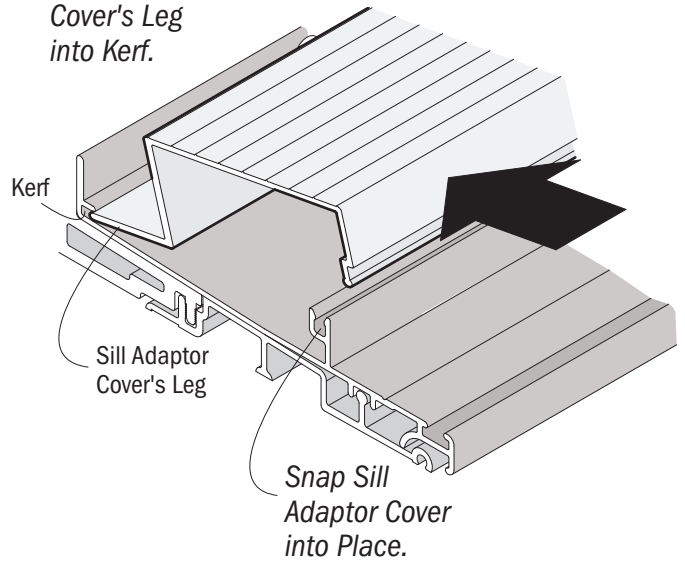
Center Sill Adaptor assembly on patio door sill, aligning with midpoint mark. Mark hole locations, drill 1/8" holes through the first sill wall **ONLY**, clear debris, reposition Sill Adaptor, apply sealant in holes, and fasten with #8 x 3/8" Stainless Steel Thread-Forming Screws. **DO NOT** overtighten screws.

4

200/400 Series

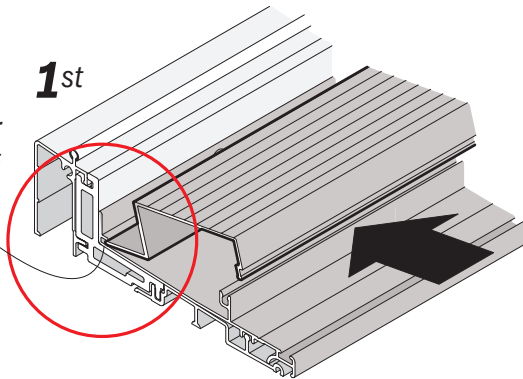


Insert Sill Adaptor Cover's Leg into Kerf.



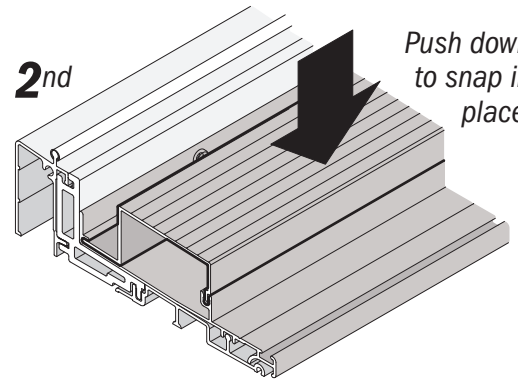
1st

Insert Sill Adaptor Cover's Leg into Kerf.



2nd

Push down to snap in place.



Center Sill Adaptor Covers on Sill Adaptor assembly and snap in place.

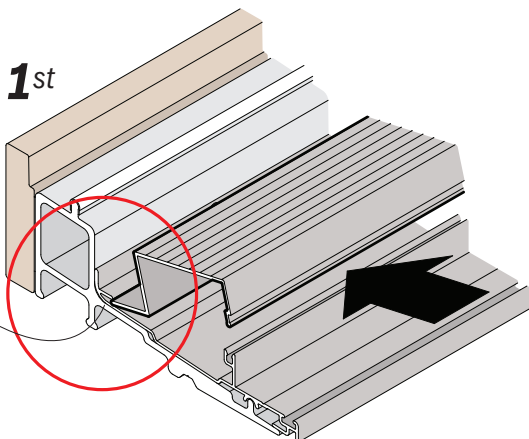
A-Series

(This Step Not Required)

E-Series

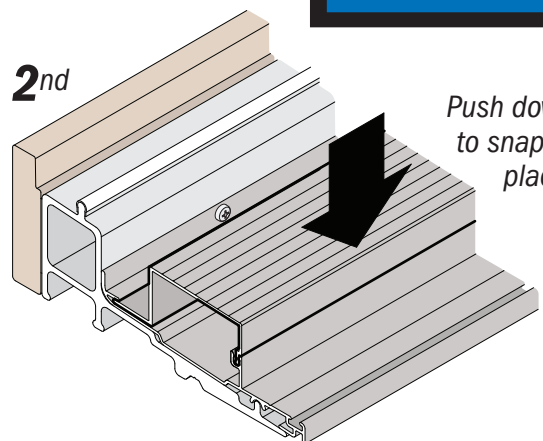
1st

Insert Sill Adaptor Cover's Leg into Kerf.



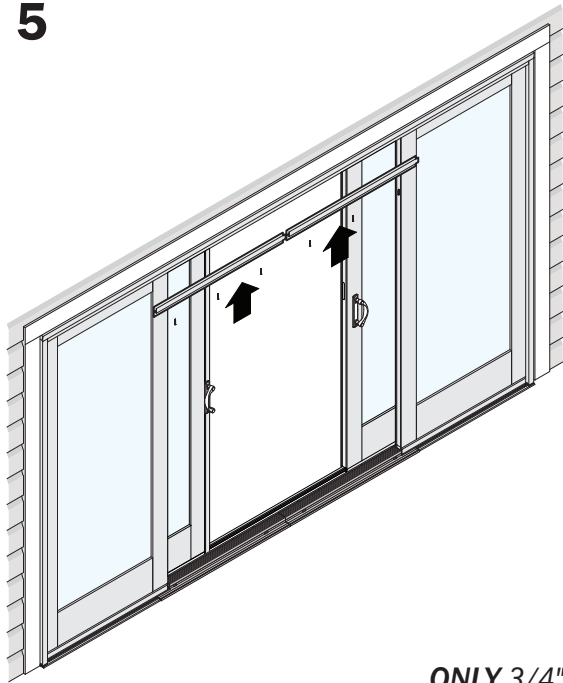
2nd

Push down to snap in place.



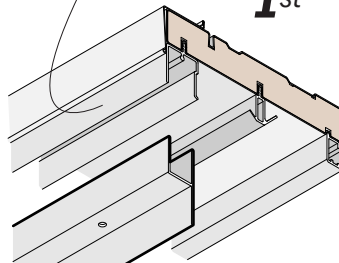
Center Sill Adaptor Covers on Sill Adaptor assembly and snap in place.

5



Existing Screen Track Retainer

1st



Position Head Track Retainer.

200/400 Series

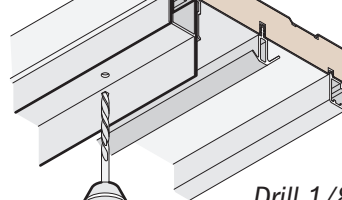


#8 x 2" Stainless Steel Screw

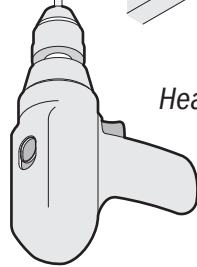
NOTICE

- Protect surfaces from tool contact. Failure to do so could result in surface marring or product damage.

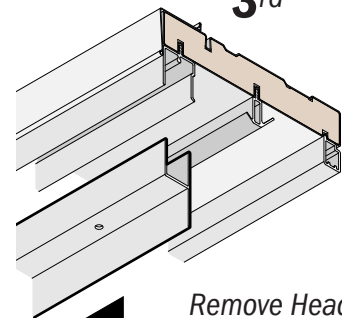
ONLY 3/4" deep. 2nd



Drill 1/8" holes, 3/4" deep using Head Track Retainer as a guide.



3rd

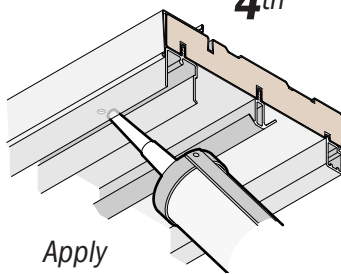


Remove Head Track Retainer.

NOTICE

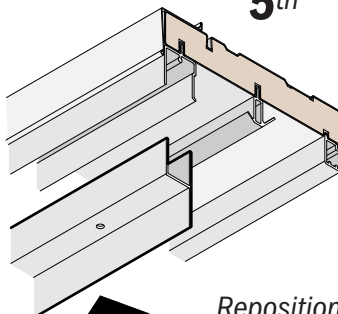
- DO NOT drill deeper than 3/4" into head jamb. Doing so will result in product damage.

4th



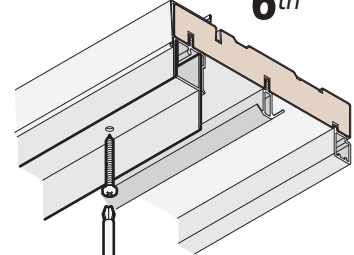
Apply Sealant in holes.

5th



Reposition Head Track Retainer.

6th



Fasten Head Track Retainers with #8 x 2" Stainless Steel Screws.

Position Head Track Retainer halves together, aligning each half with the midpoint mark in existing screen track. Drill 1/8" holes - 3/4" deep in head jamb. Remove Head Track Retainers, clear debris, apply sealant in holes, reposition Head Track Retainers, and fasten with #8 x 2" Stainless Steel Screws.

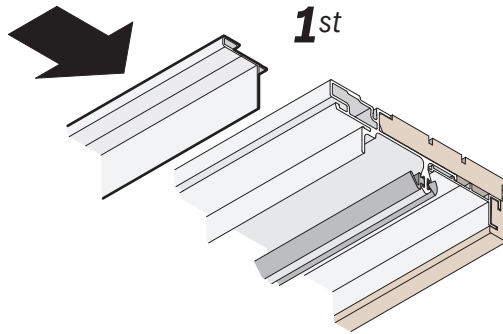
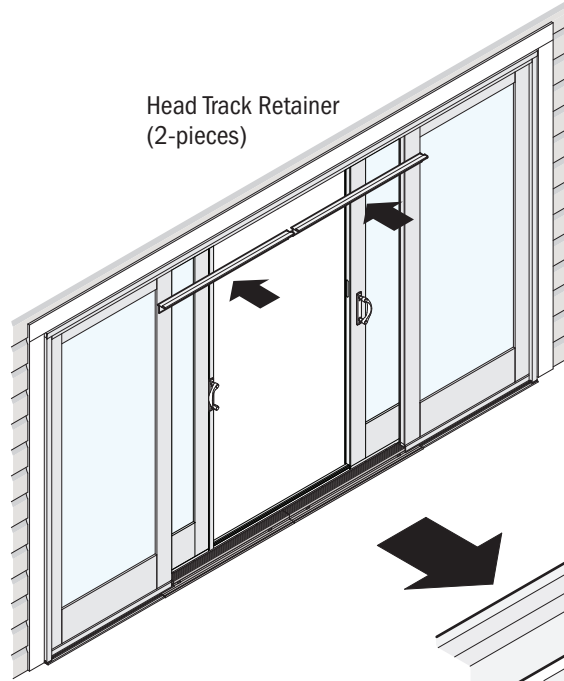
5 (continued)

A-Series

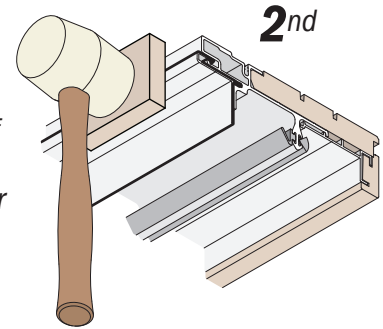
NOTICE

- Protect surfaces from tool contact. Failure to do so could result in surface marring or product damage.

No Fastener Required.



Snap into kerf and fully seat using a rubber mallet and wood block.



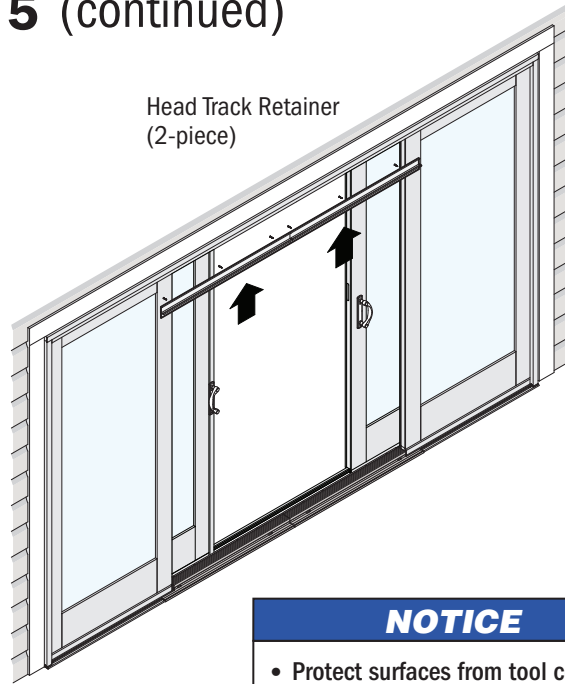
Position Head Track Retainer halves together, aligning each half with the midpoint mark and snap into kerf using a rubber mallet and wood block.

This area intentionally left blank.

5 (continued)

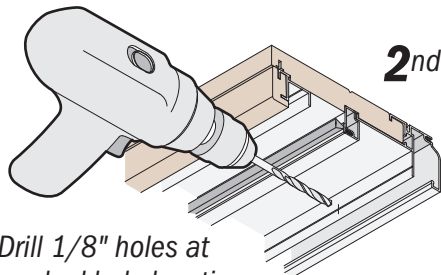
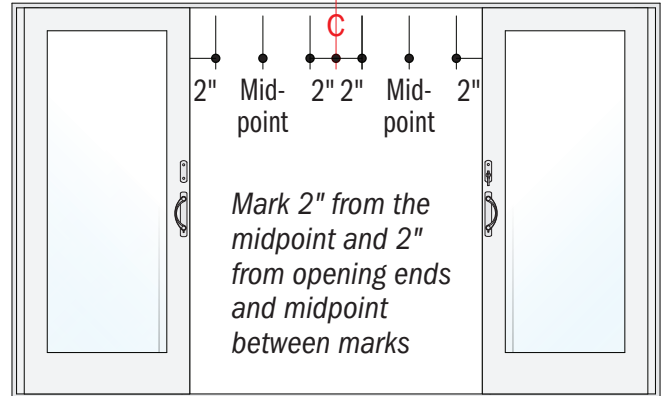
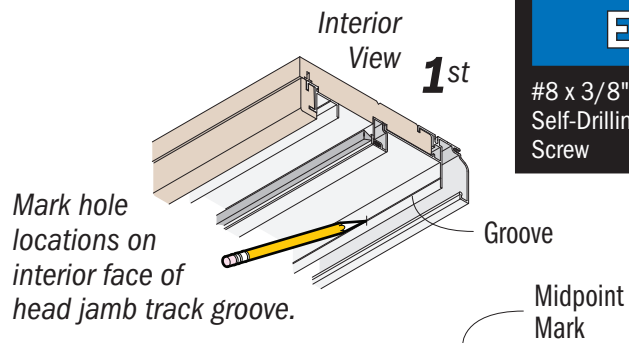
E-Series

#8 x 3/8"
Self-Drilling
Screw



NOTICE

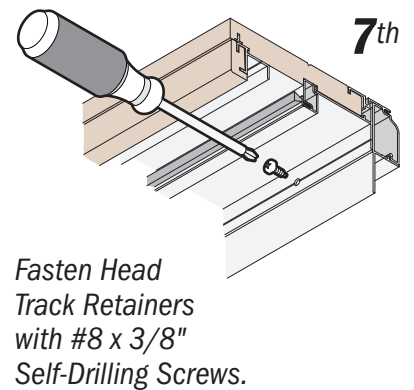
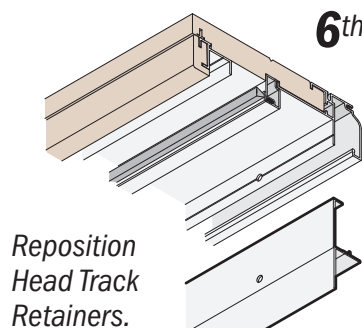
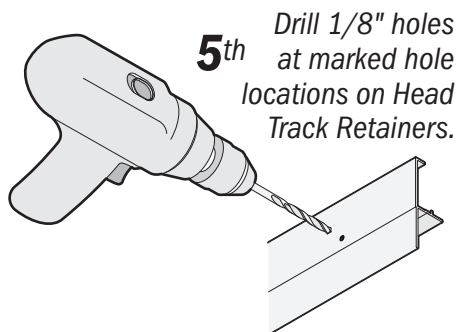
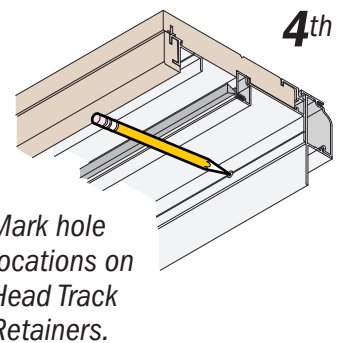
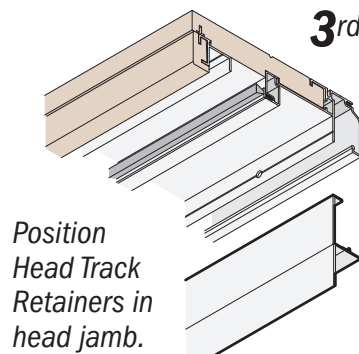
- Protect surfaces from tool contact. Failure to do so could result in surface marring or product damage.



Drill 1/8" holes at marked hole locations in head track groove.

NOTICE

- Only drill through first wall of component part, typically about 1/8". Failure to do so could result in product or property damage.



Fully open patio door panels. Measure and mark hole locations 2" from midpoint and from opening ends and the midpoint between marks. Drill 1/8" holes at marked hole locations. Position Head Track Retainer halves together, aligning sections with the midpoint mark, and mark hole locations using predrilled holes as a guide. Drill 1/8" holes at marked hole locations, clear debris, and fasten with #8 x 3/8" Self-Drilling Screws.

6

200/400 Series

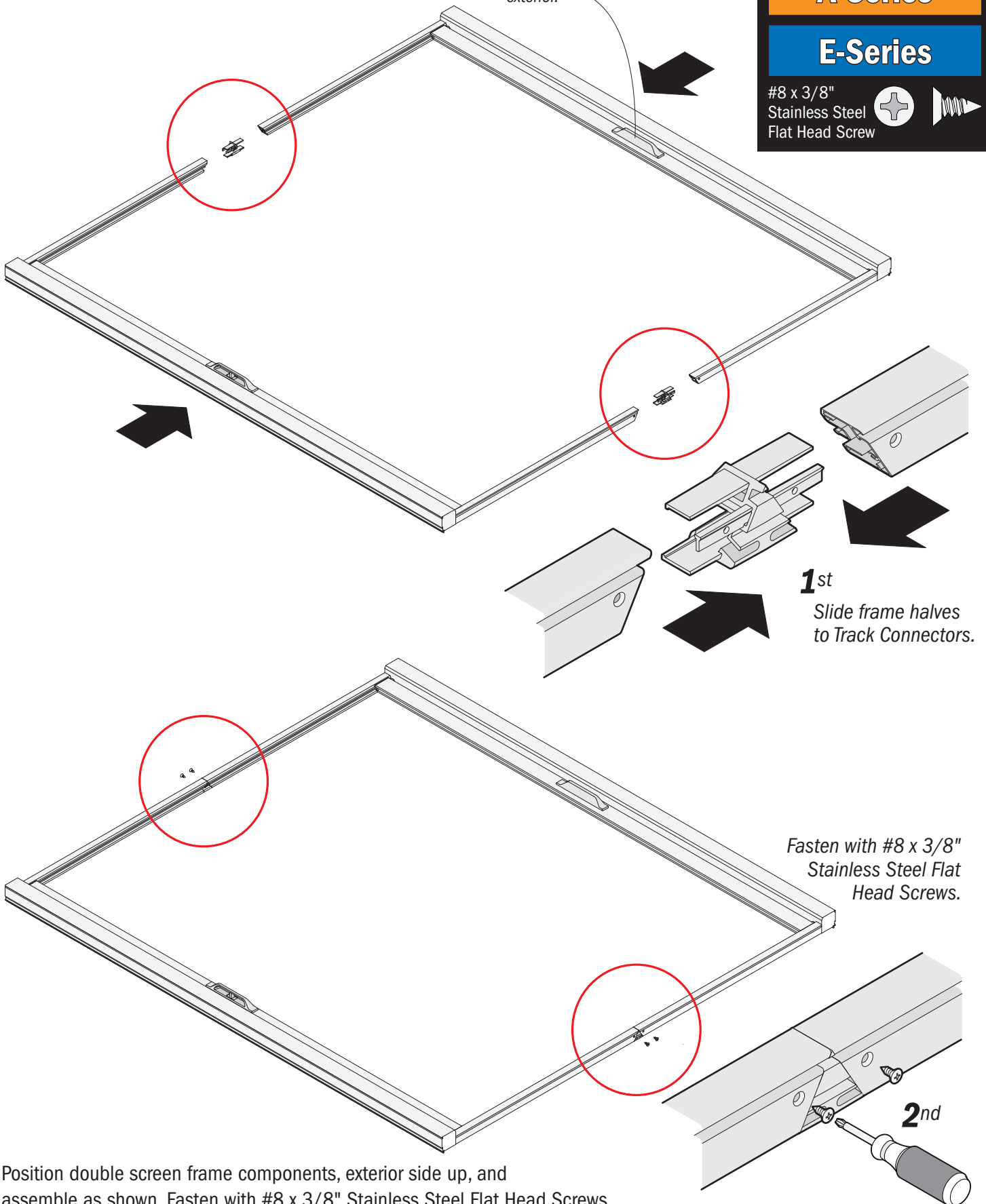
A-Series

E-Series

#8 x 3/8"
Stainless Steel
Flat Head Screw



Raised Handle
is on the
exterior.



1st
Slide frame halves
to Track Connectors.

Fasten with #8 x 3/8"
Stainless Steel Flat
Head Screws.

2nd

Position double screen frame components, exterior side up, and assemble as shown. Fasten with #8 x 3/8" Stainless Steel Flat Head Screws.

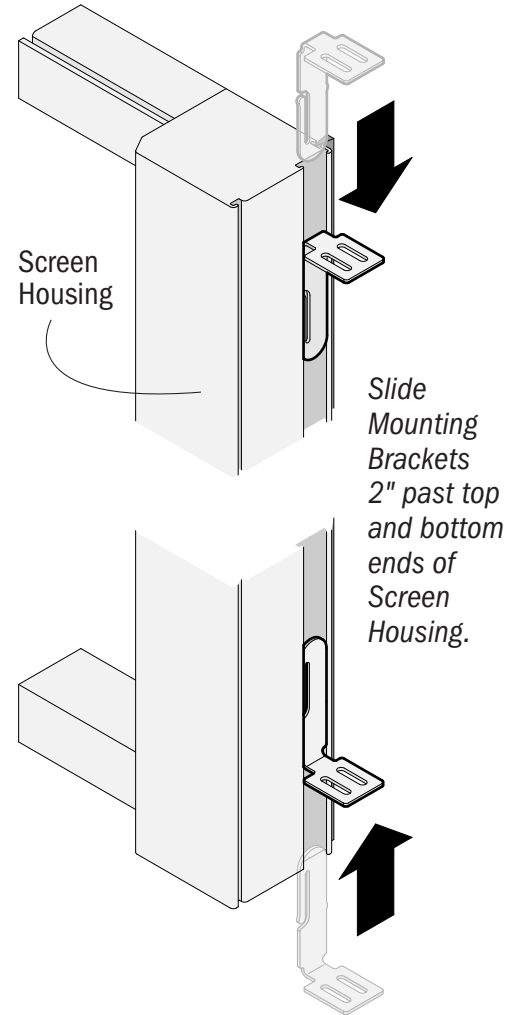
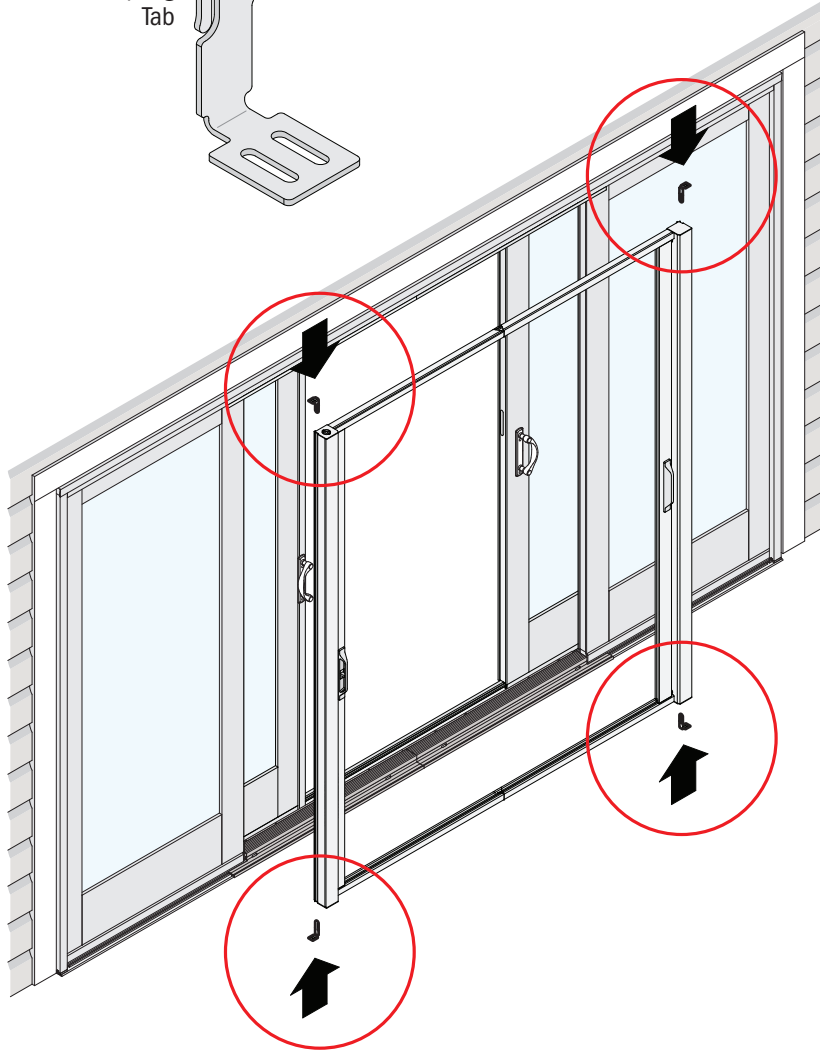
7

200/400 Series

A-Series

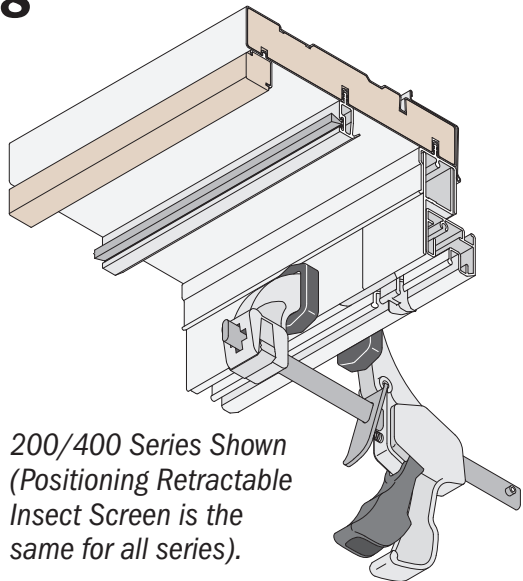
E-Series

Spring
Tab



Select Mounting Bracket color (black or stainless steel). Slide the Mounting Brackets into the top and bottom of the Screen Housing, with spring tab towards exterior.

8



200/400 Series Shown
(Positioning Retractable
Insect Screen is the
same for all series).

NOTICE

- Make sure Mounting Brackets are positioned past the top and bottom ends of the screen cannister before rotating assembly into frame. Failure to do so could cause product damage.

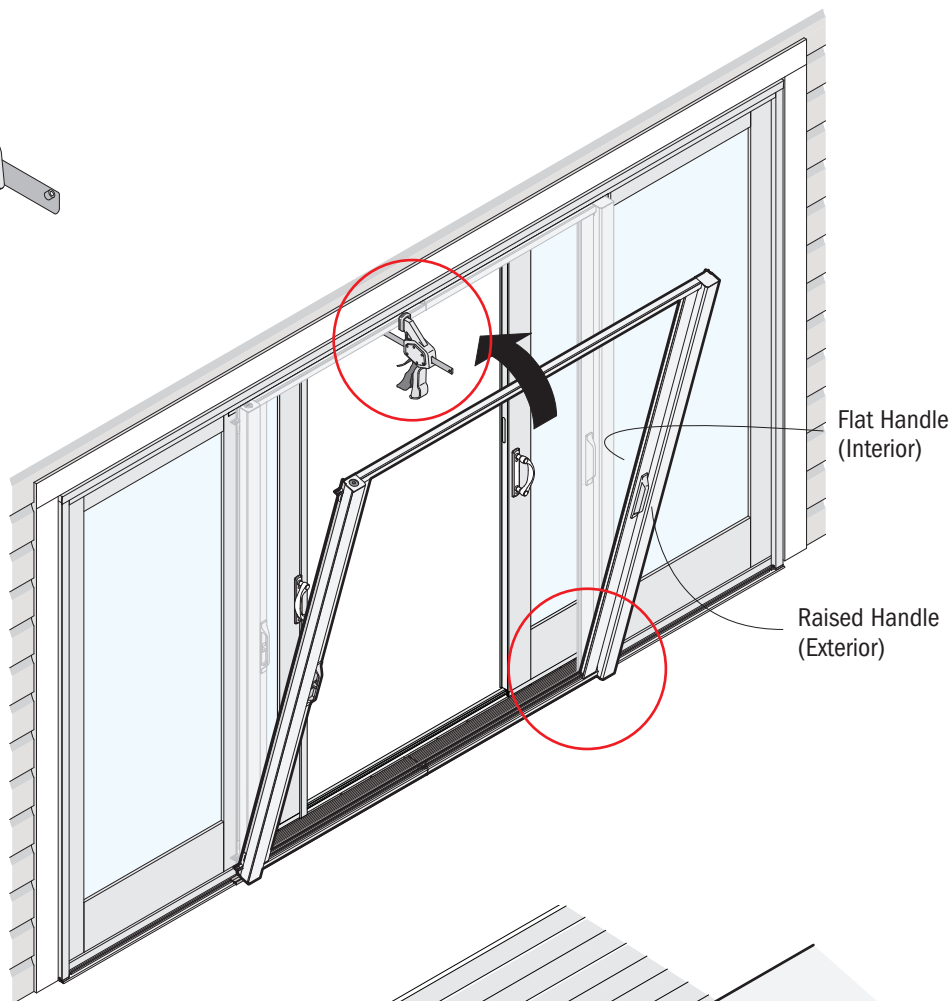
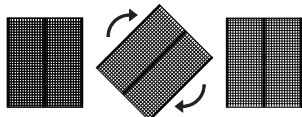
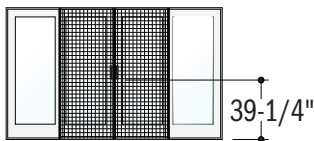
200/400 Series

A-Series

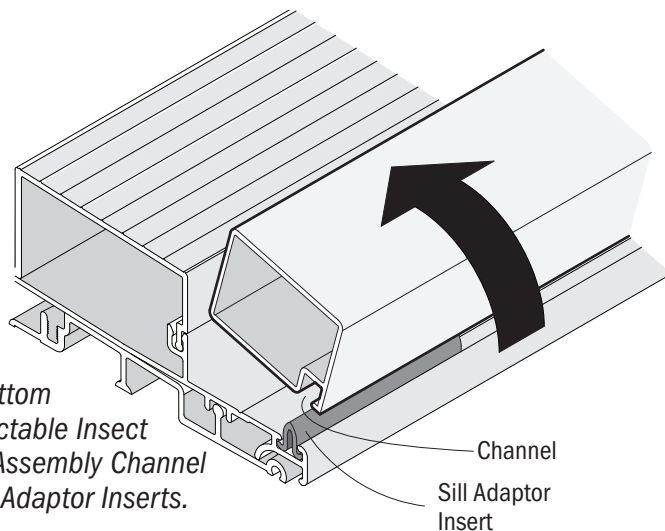
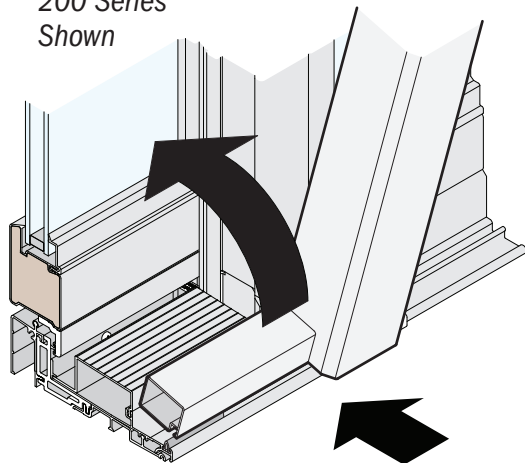
E-Series

IMPORTANT

- Distance from the Retractable Insect Screen's track bottom to the handle bottom is 39-1/4". Rotate screen 180° to correct orientation if needed.

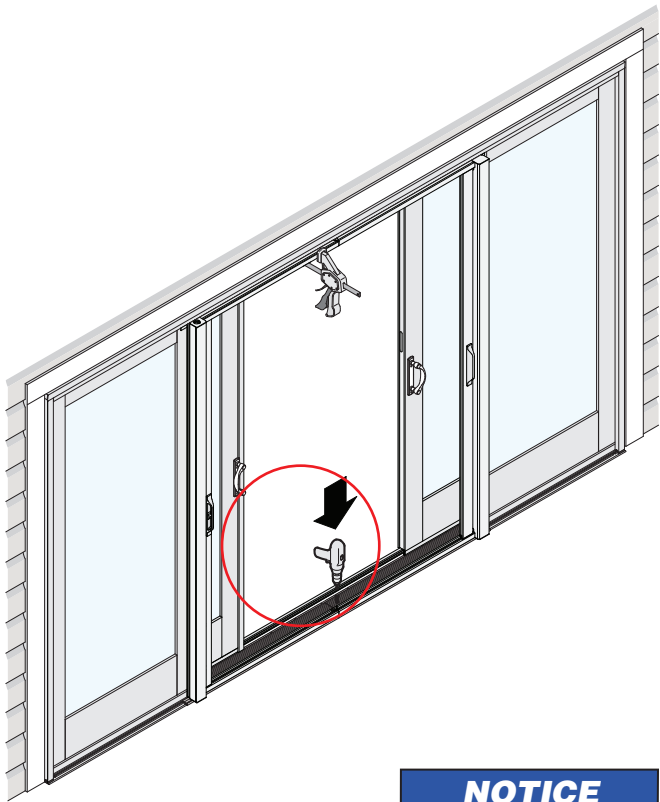


200 Series
Shown



Center the Retractable Insect Screen assembly on Sill Adaptor, aligning Sill Adaptor Inserts with Channel in bottom of Retractable Insect Screen assembly and rotate into position. Clamp at the top to hold in place until fastened.

9



200/400 Series

A-Series

E-Series



#8 x 3/4" Self-Drilling
Stainless Steel Screw

NOTICE

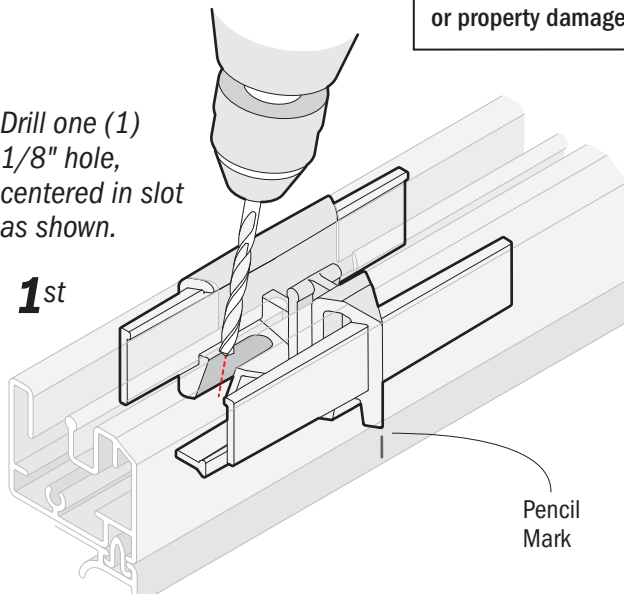
- Protect surfaces from tool contact. Failure to do so could result in surface marring or product damage.

NOTICE

- Only drill through first wall of component part, typically about 1/8". Failure to do so could result in product or property damage.

Drill one (1)
1/8" hole,
centered in slot
as shown.

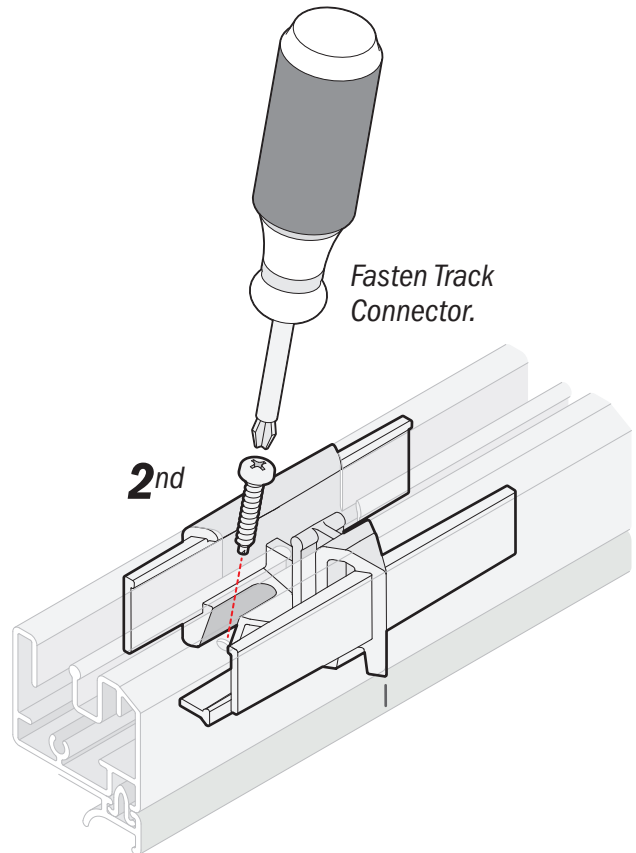
1st



Pencil
Mark

Fasten Track
Connector.

2nd



Verify Retractable Insect Screen Sill Track midpoint is aligned with the pencil mark. Drill one (1) 1/8" hole as shown and clear debris. Fasten Track Connector at sill (center of slot) with a #8 x 3/4" Self-Drilling Stainless Steel Screw.

NOTICE

- Protect surfaces from tool contact. Failure to do so could result in surface marring or product damage.

200/400 Series

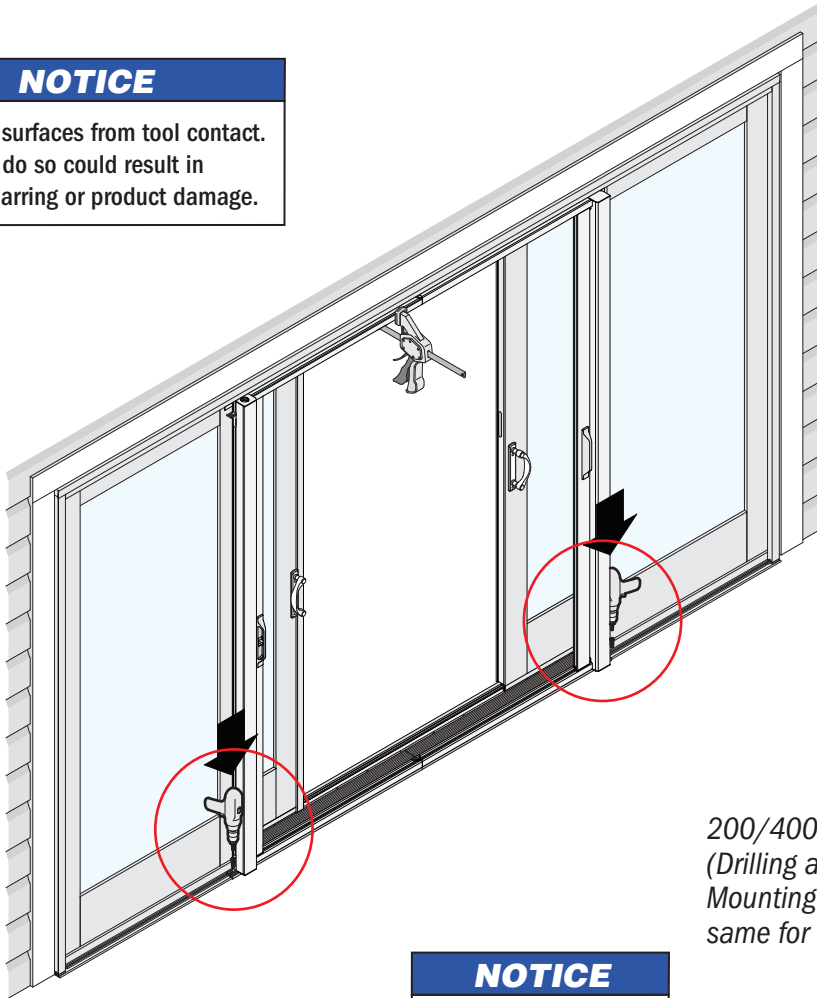
A-Series

E-Series

#8 x 3/8"

Self-Drilling

Black or Stainless Steel Screw

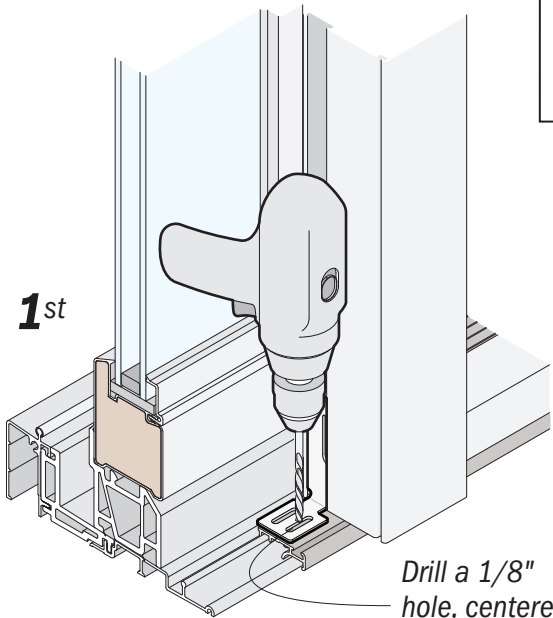


200/400 Series Shown
(Drilling and fastening
Mounting Bracket is the
same for all series).

NOTICE

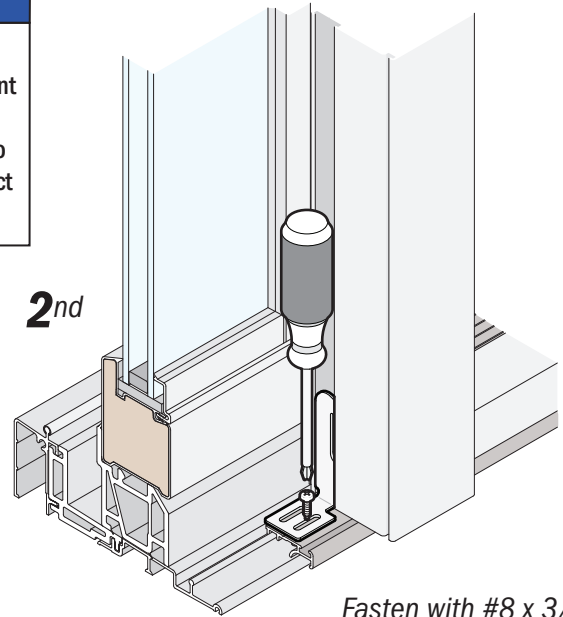
- Only drill through first wall of component part, typically about 1/8". Failure to do so could result in product or property damage.

1st



Drill a 1/8"
hole, centered
in exterior slot only.

2nd



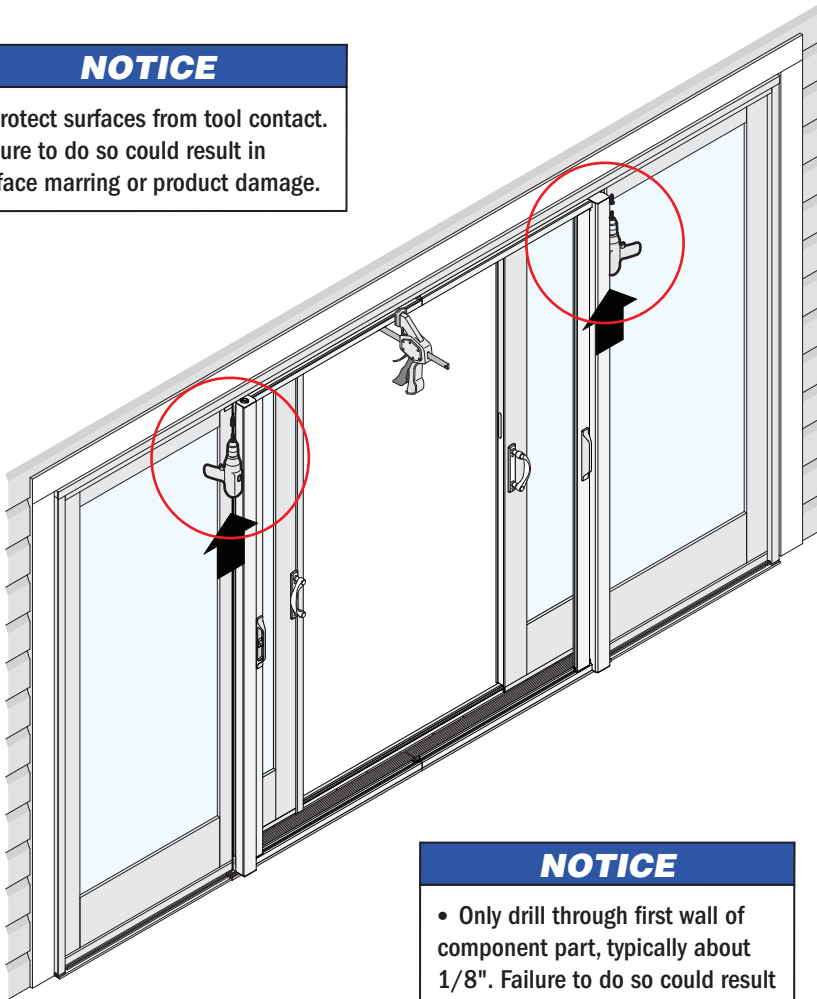
Fasten with #8 x 3/8"
Self-Drilling Black or Stainless
Steel Screw.

Slide Mounting Brackets down to the Sill Adaptor. Drill a 1/8" hole, clear debris, and fasten with #8 x 3/8" Self-Drilling Black or Stainless Steel Screw for each bottom Mounting Bracket.

11

NOTICE

- Protect surfaces from tool contact. Failure to do so could result in surface marring or product damage.



200/400 Series

A-Series

E-Series

#8 x 3/8"

Self-Drilling

Black or Stainless Steel Screw

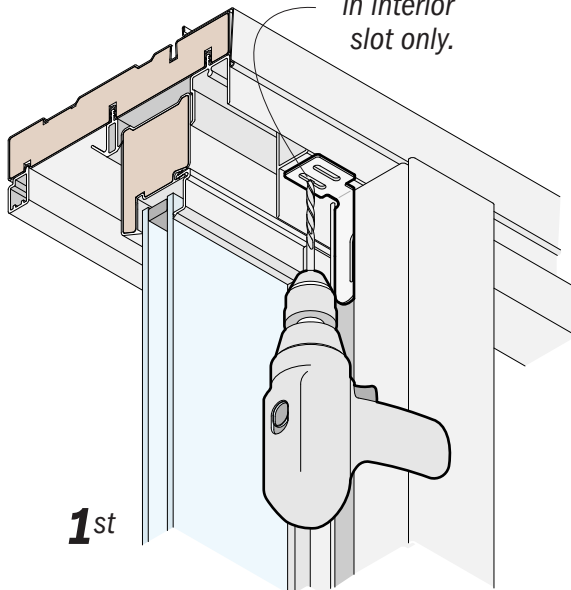


NOTICE

- Only drill through first wall of component part, typically about 1/8". Failure to do so could result in product or property damage.

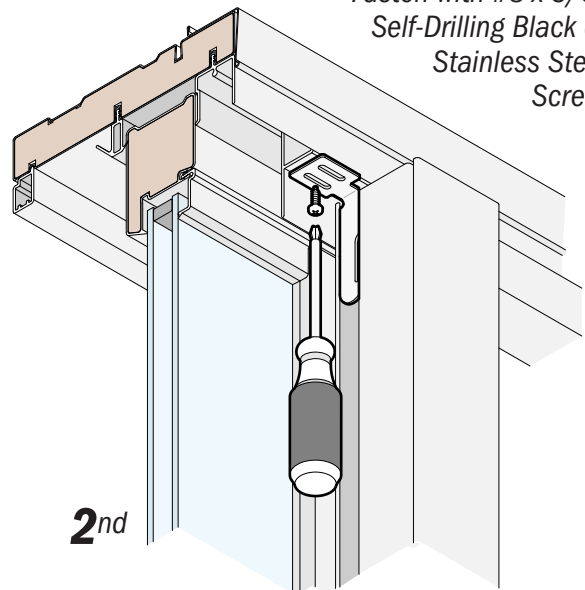
200/400 Series Shown
(Drilling and fastening
Mounting Bracket is the
same for all series).

Drill a 1/8"
hole, centered
in interior
slot only.



1st

Fasten with #8 x 3/8"
Self-Drilling Black or
Stainless Steel
Screw.



2nd

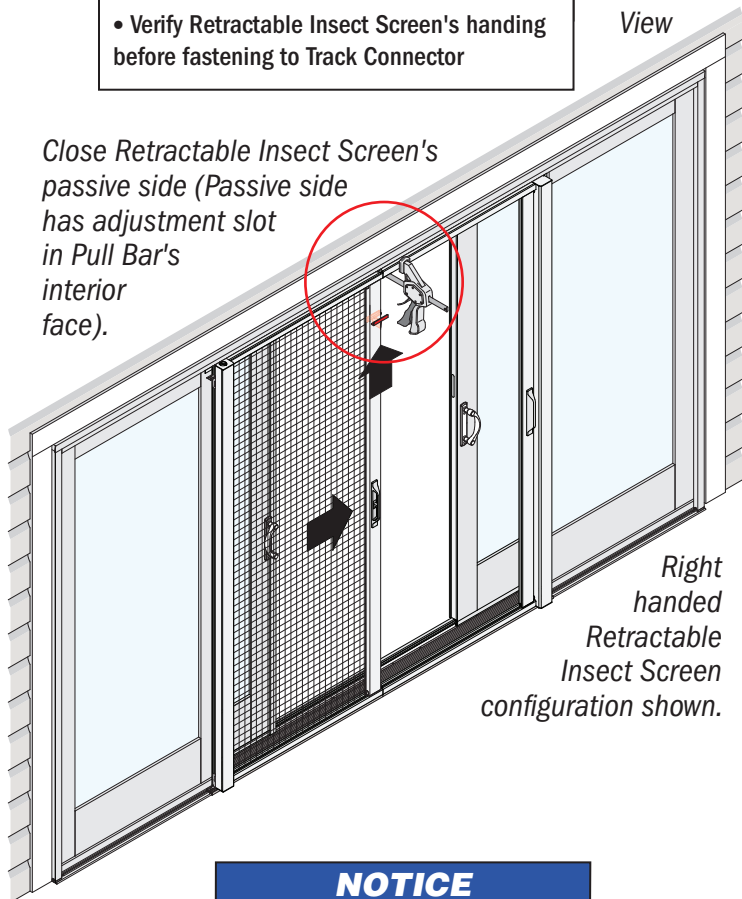
Verify Retractable Insect Screen head track midpoint is aligned with pencil mark, realign and reclamp if needed. Slide Mounting Brackets up to the Head Track Retainer. Drill a 1/8" hole, clear debris, and fasten with a #8 x 3/8" Self-Drilling Black or Stainless Steel Screw for each top Mounting Bracket.

IMPORTANT

- Verify Retractable Insect Screen's handing before fastening to Track Connector

Exterior View

Close Retractable Insect Screen's passive side (Passive side has adjustment slot in Pull Bar's interior face).



Right handed Retractable Insect Screen configuration shown.

NOTICE

- Protect surfaces from tool contact. Failure to do so could result in surface marring or product damage.

200/400 Series

A-Series

E-Series

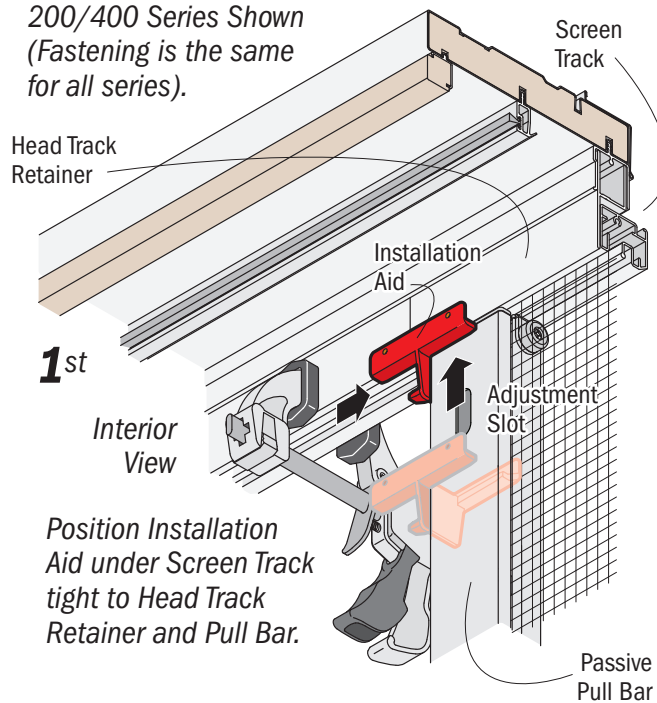
#8 x 3/8"

Self-Drilling

Color-Matched Screw



200/400 Series Shown (Fastening is the same for all series).

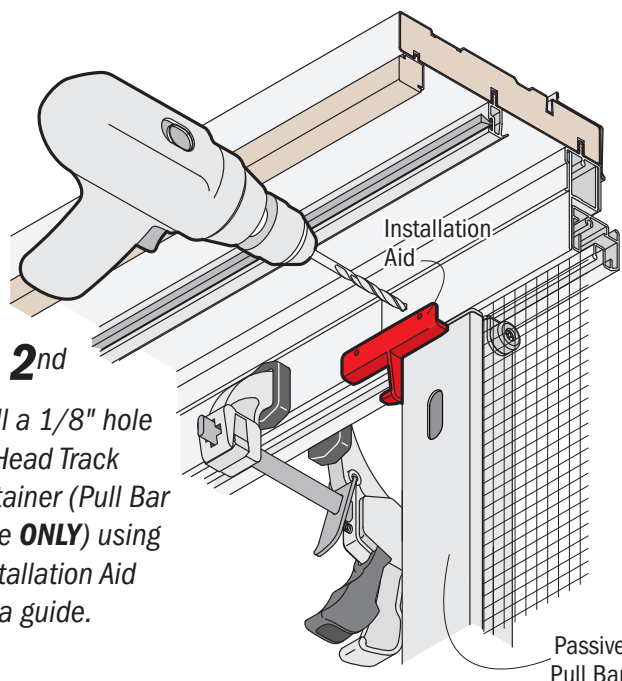


1st

Position Installation Aid under Screen Track tight to Head Track Retainer and Pull Bar.

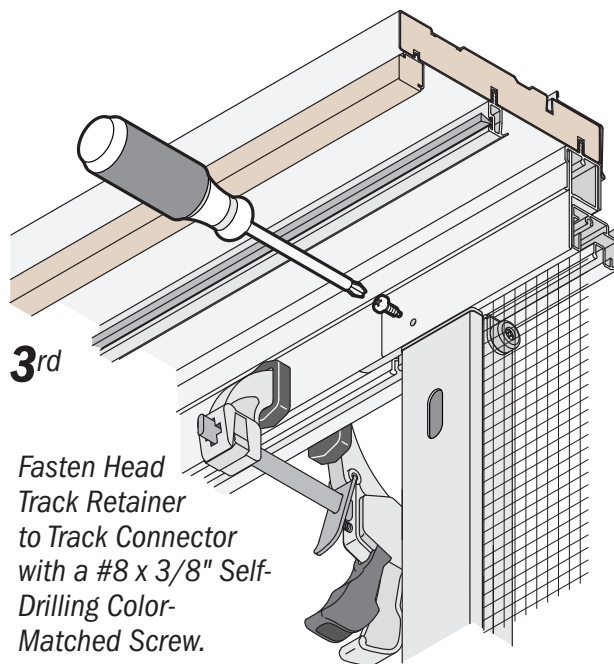
NOTICE

- Only drill through first wall of component part, typically about 1/8". Failure to do so could result in product or property damage.



2nd

Drill a 1/8" hole in Head Track Retainer (Pull Bar side **ONLY**) using Installation Aid as a guide.



3rd

Fasten Head Track Retainer to Track Connector with a #8 x 3/8" Self-Drilling Color-Matched Screw.

Close passive screen side until it self-latches at midpoint. Slide Installation Aid up under Screen Track tight to Head Track Retainer and passive side Pull Bar as shown. Verify alignment with top mark. Adjust as needed. Drill a 1/8" hole, clear debris, and fasten with a #8 x 3/8" Self-Drilling Color-Matched Screw.

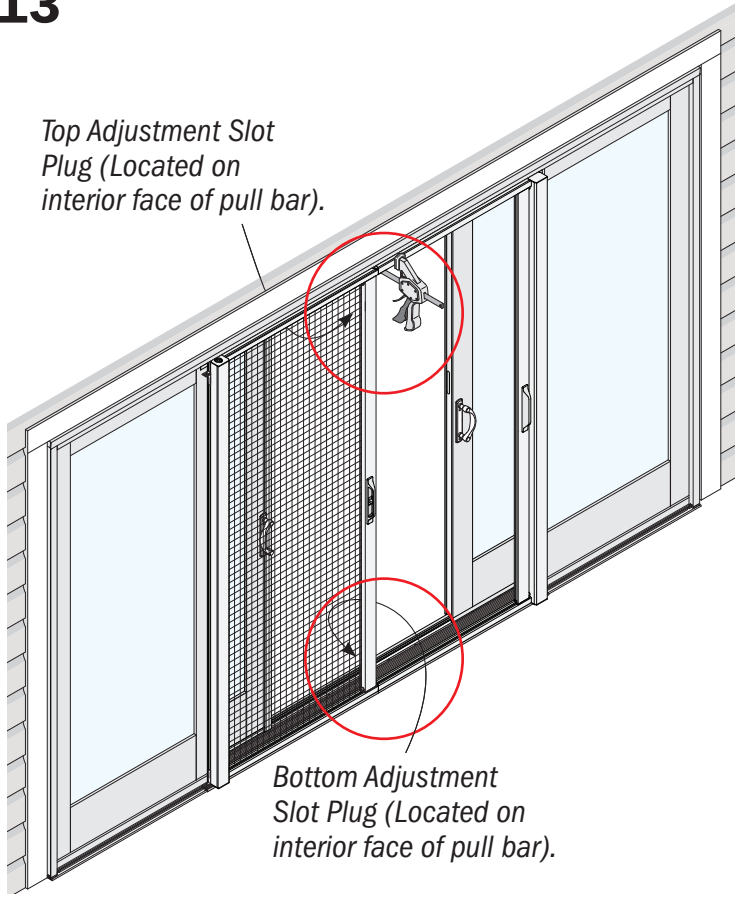
13

200/400 Series

A-Series

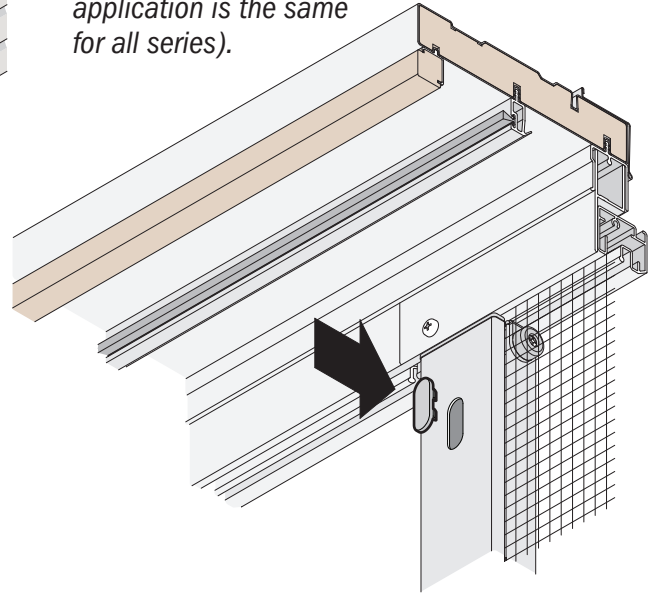
E-Series

Top Adjustment Slot Plug (Located on interior face of pull bar).



Bottom Adjustment Slot Plug (Located on interior face of pull bar).

200/400 Series Shown (Adjustment Slot Plug application is the same for all series).



Check Lock Pin operation and adjust as needed. (See below)
Apply Adjustment Slot Plug at top and bottom.

Installation is complete.

Lock Pin Adjustment

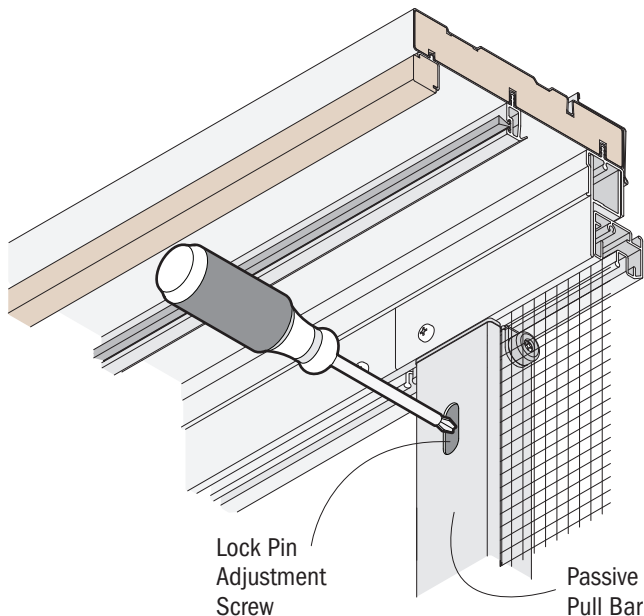
IMPORTANT

- **DO NOT** fully remove the screw. Doing so could result in screw dropping inside Passive Pull Bar.

200/400 Series

A-Series

E-Series



Loosen the screw inside the upper Adjustment Slot, until it can be moved, keeping the phillips screwdriver in contact with the screw (approximately two turns). **DO NOT** fully remove the screw. Use the phillips screwdriver to slide the upper Lock Pin up towards the Screen Track until it stops. Tighten screw. Repeat for lower Adjustment Slot if needed.

Frequently Asked Questions

1. How do I open and close the Retractable Insect Screen?

Use the Handle to extend Retractable Insect Screen. It will automatically latch when fully extended. Slide the Release Lever up or down to unlatch. The Retractable Insect Screen will automatically retract.

2. How do I clean the screen mesh?

Use a clean and soft brush to gently clean the screen mesh as needed.

3. What should I do to maintain my Retractable Insect Screen?

The screen tracks will need occasional vacuuming and rinsing out with water to remove dirt and debris. This will help keep the tracks clean and free of debris that may affect operation.

4. Can replacement parts be purchased if something gets damaged on my Retractable Insect Screen?

Parts can be purchased by visiting parts.andersenstormdoors.com or calling Customer Service at 888-888-7020. It is helpful to have your serial number when ordering parts. The serial number is located on the back side of your active screen housing.

5. What should I do with the unit in cold weather?

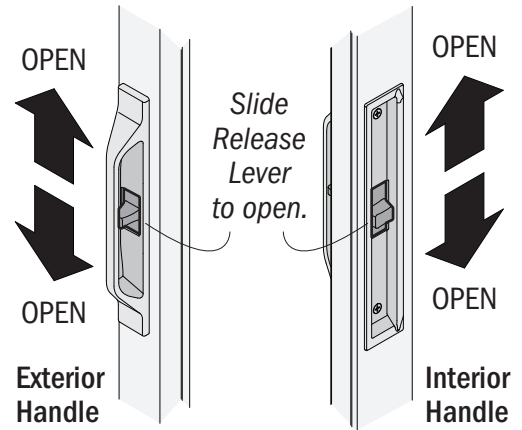
It is best for the unit to be stored in the retracted position during cold weather. We do not recommend operating when temperatures are near or below freezing.

6. Will installing the appropriate Retractable Insect Screen (200/400 Series, A-Series, or E-Series) on an Andersen gliding patio door void my patio door warranty?

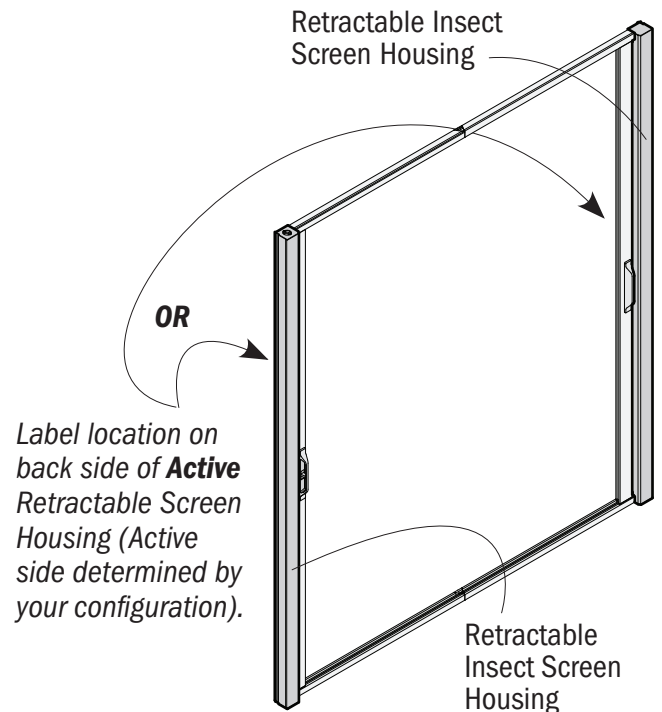
No

7. Is there a video available that will show me how to install and operate the Retractable Insect Screen?

You can find a support video to this installation instruction by scanning this QR code.



Retractable Insect Screen Label



Limited Warranty

**Retractable
Insect Screen**
for Andersen® Patio Doors
and Renewal by Andersen®
Ensemble™ Entry Doors
**OWNER2OWNER®
LIMITED WARRANTY**

LIMITED WARRANTY AND DISPUTE RESOLUTION PROCESS

IMPORTANT: Please carefully read the Dispute Resolution Process that appears in this document after the Limited Warranty. The Dispute Resolution Process includes class action and jury trial waivers that affect your legal rights. To opt out of these waivers, you must visit our website at www.andersenwindows.com/optout and complete the opt-out form within one year from the date of purchase of your Andersen® products from a dealer or retailer. The opt-out only applies to the terms of the Dispute Resolution Process.

Retractable Insect Screen Limited Warranty

Transferable Limited Warranty on Retractable Insect Screen Components

Components of Retractable Insect Screen for Andersen® patio doors and Renewal by Andersen® Ensemble™ entry doors (including head track retainer, latch housing retainer, sill adaptor, sill adaptor cover, screen housing, latch housing, screen tracks, pull bar, lock assembly, handle, and various subcomponents) are warranted to be free from defects in manufacturing, materials and workmanship for a period of ten (10) years from the date of purchase from the retailer/dealer. This Limited Warranty does not apply to the screen mesh assembly.

In the event a Retractable Insect Screen component fails as a result of a defect in manufacturing, materials or workmanship within the limited warranty period, Andersen, at its option, will: (1) provide replacement parts to the Andersen retailer/dealer you specify — labor is not included; or (2) provide a factory-authorized repair to the existing component at no cost to you; or (3) refund the original purchase price. Such replacement parts or repairs are warranted for the remainder of the original limited warranty period.

No Other Warranties or Representations

THIS LIMITED WARRANTY IS IN LIEU OF ALL OTHER WARRANTIES, EXPRESS OR IMPLIED, INCLUDING, BUT NOT LIMITED TO, ANY IMPLIED WARRANTIES OF MERCHANTABILITY OR FITNESS FOR A PARTICULAR PURPOSE. ALL WARRANTIES ARE LIMITED TO THE APPLICABLE STATUTE OF LIMITATIONS, BUT IN NO CASE WILL EXTEND BEYOND THE LIMITED WARRANTY PERIODS SPECIFIED ABOVE. ANDERSEN EXCLUDES AND WILL NOT BE LIABLE FOR ANY INCIDENTAL OR CONSEQUENTIAL DAMAGES, WHETHER ARISING OUT OF CONTRACT, TORT OR OTHERWISE. THE REMEDY OF REPAIR, REPLACEMENT OR REFUND OF THE ACTUAL PURCHASE PRICE OF THE PRODUCT PROVIDED BY THIS LIMITED WARRANTY IS THE EXCLUSIVE REMEDY WITH RESPECT TO ANY AND ALL LOSS OR DAMAGE.

Applicable Law

This Limited Warranty is only applicable in the U.S.A. (i.e., the fifty states and the District of Columbia). This Limited Warranty gives you specific legal rights, and you may also have other rights which may vary from state to state. Some states do not allow the exclusion or limitation of incidental or consequential damages or limitation of the duration of an implied warranty, so the above limitations or exclusions may not apply to you. If any specific term of this Limited Warranty is prohibited by any applicable law, it shall be null and void, but the remainder of this Limited Warranty shall remain in full force and effect.

What Is NOT Covered by this Limited Warranty: Specific Additional Exclusions

In addition to any other limitations or exclusions in this Limited Warranty, Andersen shall have no obligation for product failure, damage or costs due to or related to the following:

- Product modifications or glass shading devices (e.g., glass tinting, security systems, improper painting or staining, insulated coverings, etc.).
- Units improperly assembled.
- Failure due to the application of non Andersen hardware (e.g., locks, handles, closers, etc.).
- Failure to properly install Andersen hardware and/or exterior trim.
- Adjustments or corrections due to improper installation.
- Improper installation or use, including re-installing a Retractable Insect Screen after it has been removed from a building and re-sold and/or re-installed in a different building.
- Improper maintenance, such as use of brick wash, razor blades, sealants, sanding or improper washing.
- Chemicals or airborne pollutants, such as salt or acid rain.
- Delivery by others.
- Accidents.
- Acts of God.
- Normal wear and tear.
- Pets

Additional items excluded from this limited warranty:

- Labor to replace Retractable Insect Screen or other components.
- Labor and other costs related to the removal and disposal of defective product.
- Labor and materials to paint or stain any repaired or replaced product, component, trim or other carpentry work that may be required.
- Products not manufactured by Andersen.
- Insects passing through or around the Retractable Insect Screen.
- Tarnish or corrosion.
- Other product series, some products, and accessories have their own limited warranties and are not covered by this Limited Warranty. Visit www.andersenwindows.com/warranty for more information.
- Service trips to provide instruction on product use.

How to register your Owner-To-Owner® Limited Warranty

Andersen offers quick, easy warranty registration on our website. Just go to www.andersenwindows.com/warranty and submit your warranty information online. By registering, you will expedite any warranty service you may have in the future. In addition, you can receive product information updates, safety notices and special offers regarding new products, as well as information regarding enhancements for the windows and doors you've registered. All warranty information is treated confidentially and will not be sold or traded to any person or organization outside of Andersen and the Andersen Dealer Network.



**EASY Online
Registration**

Warranty Claim Procedure

To make a claim under this Limited Warranty, contact the Andersen retailer/dealer who sold you your Andersen® product. Or, you may contact us at:

Andersen Windows, Inc./Andersen Service Center
100 Fourth Avenue North
Bayport, MN 55003-1096

You may also contact us using the Parts & Service section of our website at www.andersenwindows.com or reach us by phone at 1-888-888-7020.

You can help us serve you faster by providing the following important information:

- Description of the product such as the exterior color, unit type and size.
- Description of product concerns.
- Documentation of the purchase date, if available.
- Your name, address (with zip code) where the product is installed and telephone numbers.

Non-Warranty Repair

You will be responsible for all costs related to any repair that is not covered by this Limited Warranty or which is outside of the Limited Warranty period. When warranty coverage is unclear, Andersen may charge an inspection fee for any on-site product inspection. If the inspector determines the Andersen® product has a defect covered by this Limited Warranty, the inspection fee will be waived.

For specific warranty information outside the United States, please contact your local distributor or write to:

Andersen Windows, Inc. / International Division
100 Fourth Avenue North
Bayport, MN 55003-1096

DISPUTE RESOLUTION PROCESS

General

If you are dissatisfied with the remedy provided to you under the Limited Warranty set forth above or have any other claim against Andersen related to your Andersen® products, you and Andersen agree to resolve the claim using the following process ("Dispute Resolution Process"). This Dispute Resolution Process will apply to claims of any nature relating to your Andersen product ("Dispute(s)"). Disputes include, but are not limited to, claims for breach of contract or breach of warranty, claims for violation of state or federal laws or regulations, claims based in tort, negligence or product liability, claims based in fraud or fraud in the inducement, marketing or advertising claims and claims related to the enforceability or effect of any term of the Limited

Warranty or the Dispute Resolution Process, including, but not limited to, the waivers of class action and jury trials.

Notice Required

To assert a Dispute, you must first provide Andersen with written notice. A Notice of Dispute form is available for your use on Andersen's website at www.andersenwindows.com/noticeofdispute.

Andersen Response

Andersen will have 60 days from receipt of your Notice of Dispute to respond to you in writing. In that response or at any later time, Andersen may make one or more written offers to you to resolve your Dispute.

No Class Action or Jury Trials

YOU AGREE THAT YOU MAY ASSERT DISPUTES AGAINST ANDERSEN ONLY ON AN INDIVIDUAL BASIS AND NOT AS A PLAINTIFF OR CLASS MEMBER IN ANY CLASS OR REPRESENTATIVE ACTION OR PROCEEDING. AS PART OF THIS DISPUTE RESOLUTION PROCESS, YOU AND ANDERSEN ALSO AGREE TO WAIVE ANY RIGHT TO A JURY AND AGREE TO HAVE ALL DISPUTES HEARD AND DECIDED SOLELY BY THE FEDERAL OR STATE COURT JUDGE.

Opt-Out Procedure

You may opt out of this Dispute Resolution Process by completing and submitting a written Opt-Out Notice. The Opt-Out Notice is located on Andersen's website at www.andersenwindows.com/optout. Whether or not you opt out of the Dispute Resolution Process, all terms of the Limited Warranty set forth above remain in force and effect.

Applicable Law and Severability

This Dispute Resolution Process, including, but not limited to, issues related to its enforceability and effect, will be governed by the laws of the State of Minnesota without regard to conflict of law principles. If any term of this Dispute Resolution Process is found to be invalid or unenforceable in any particular jurisdiction, that term will not apply to that issue in that jurisdiction. Instead, that term will be severed with the remaining terms continuing in full force and effect.

Questions

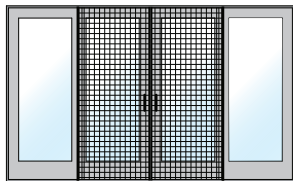
If you have questions about the Dispute Resolution Process or Opt-Out Procedure, contact us at 844-332-7972.

"Andersen" and all other marks where denoted are trademarks of Andersen Corporation.
©2023 Andersen Corporation. All rights reserved.

Mosquitero retráctil doble

Instrucciones de instalación para:

- **Serie de producto:** Serie 200, Serie 400, Serie A, Serie E
- **Tipo de producto:** puertas corredizas para patio
- **Funcionamiento de los paneles:** 4 paneles



Fijo-activo-activo-fijo

Lea estas instrucciones y la información de seguridad del producto antes de iniciar el procedimiento.

IMPORTANTE

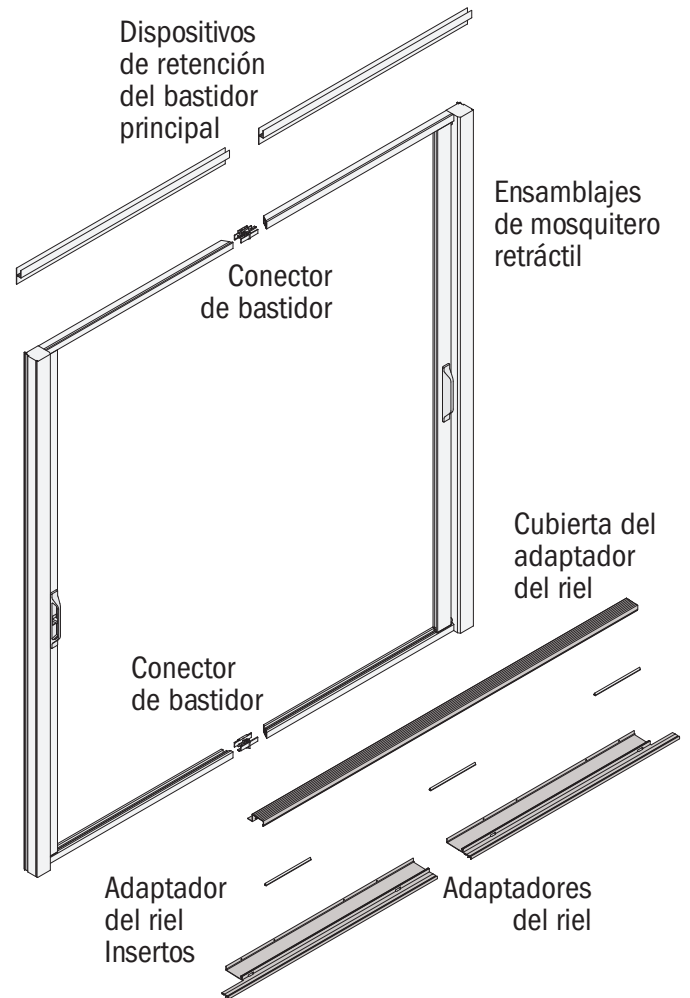
¡No devuelva el producto a la tienda!

- Llame a la línea de ayuda de Andersen al: **888-888-7020**

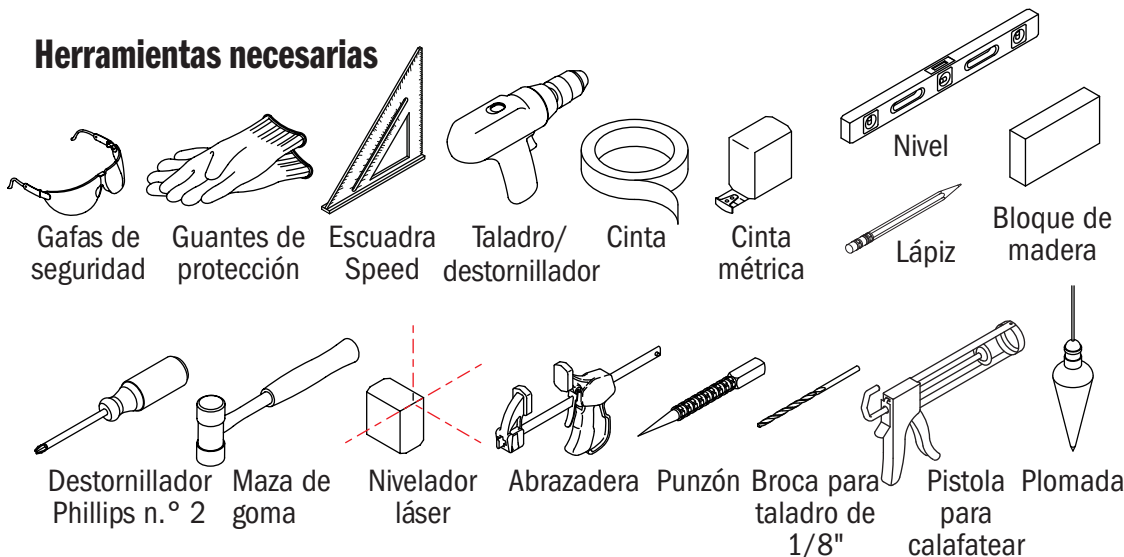
si tiene preguntas sobre la instalación, el reemplazo de piezas perdidas o cualquier otra cosa relacionada con la compra de su mosquitero retráctil.

Piezas incluidas:

- Ensamblaje de mosquitero retráctil(2)
- Dispositivo de retención del bastidor principal (2)
- Paquete de tornillos (2)
- Inserto del adaptador del riel (3)
- Adaptador del riel (2)
- Cubierta del adaptador del riel (Solo Series 200/400, Serie E)
- Paquete doble de colores combinados
- Sellador transparente
- Instrucciones de instalación
- Información importante sobre el producto y la seguridad
- Garantía



Herramientas necesarias



AVISO

• Siga las secciones codificadas por colores en cada paso para su serie de puertas específica. De no hacerlo así, podrían producirse daños al producto o a la propiedad.

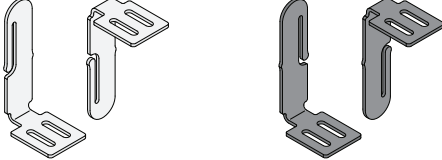

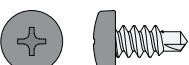


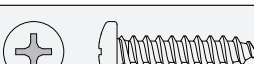

Serie 200/400

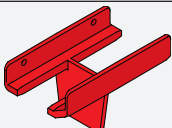
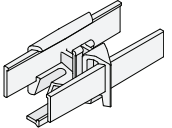



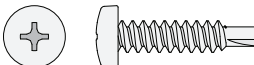
Serie A

Serie E

IMPORTANTE

La malla retráctil contra insectos está diseñada para control razonable de ellos y no para retener objetos, personas o mascotas en el interior. La malla retráctil contra insectos no impedirá la caída de una persona a través de la puerta.

CONTENIDO DEL PAQUETE DE TORNILLOS (Los sujetadores se muestran en tamaño completo)					CANTIDAD		
Descripción		Tipo	Material	Acabado	Serie 200/400	Serie A	Serie E
	Soportes de montaje	Tensión de resorte	Acero inoxidable	--	1 par	1 par	1 par
		Tensión de resorte	Acero inoxidable	Negro	1 par	1 par	1 par
	Tornillo de cabeza plana Phillips n.º 8 x 3/8"	Auto-roscante	Acero inoxidable	--	2	2	9
	Tornillo de cabeza plana Phillips n.º 8 x 3/8"	Auto-roscante	Acero inoxidable	Negro	2	2	2
	Tornillo de cabeza redonda Phillips n.º 8 x 3/8"	Auto-perforador	Acero inoxidable	--	3	--	3
	Tornillo de cabeza redonda Phillips n.º 8 x 3/4"	Auto-perforador	Acero inoxidable	--	--	3	--
	Tornillo de cabeza plana Phillips n.º 8 x 3/4"	Estándar	Acero inoxidable	--	4	--	--
	Tornillo de cabeza plana Phillips n.º 8 x 2"	Estándar	Acero inoxidable	--	3	--	--

CONTENIDO DEL PAQUETE DE COLOR A JUEGO (Los sujetadores se muestran en tamaño completo)					CANTIDAD		
Descripción		Tipo	Material	Acabado	Serie 200/400	Serie A	Serie E
	Ayuda de instalación	--	Plástico	Rojo		1	
	Conector del bastidor	--	Galvanizado a presión	Color a juego		2	
	Tapón de ranura de ajuste	--	Plástico	Color a juego		2	
	Tornillo de cabeza plana Phillips n.º 8 x 3/8"	Estándar	Acero	Galvanizado		4	
	Tornillo de cabeza plana Phillips n.º 8 x 3/8"	Auto-roscante	Acero inoxidable	Color a juego		1	
	Tornillo de cabeza plana Phillips n.º 8 x 3/4"	Auto-roscante	Acero inoxidable	--		1	

Información importante sobre el producto y la seguridad para puertas y ventanas de Andersen®



Este es el símbolo de alerta de seguridad que se utiliza para advertir peligros potenciales de lesión. Obedezca todos los mensajes de seguridad que contienen este símbolo para evitar posibles lesiones o incluso la muerte.

Aviso y consecuencias

PODRÍA resultar en:

ADVERTENCIA
Lesiones graves/
muerte

PODRÍA resultar en:

PRECAUCIÓN
Lesiones leves

PODRÍA resultar en:

AVISO
Daño al producto o
a la propiedad

IMPORTANTE
Procedimiento e
información del
producto

Lea completamente esta información importante sobre el producto y la seguridad antes de comenzar.

Índice de información sobre el producto y la seguridad

- Herramientas
- Vidrio
- Manejo
- Película protectora
- Instalación
- Limpieza
- Instalación
- Uso/Funcionamiento
- Ajuste
- Uniones
- Acabado
- Información del producto

- Deje estas instrucciones de instalación con el propietario de la casa/construcción.
- Para ayuda o soporte técnico adicional, visite: andersenwindows.com y visita nuestro centro de ayuda.
- Para las instrucciones de instalación, visite: andersenwindows.com/installation

Herramientas

ADVERTENCIA

- Siga las instrucciones del fabricante para el uso de herramientas manuales y eléctricas. Utilice siempre lentes de seguridad. De no hacerlo así, podrían producirse lesiones personales, daños al producto y/o a la propiedad.

Manejo

ADVERTENCIA

- Las puertas y las ventanas pueden ser pesadas. Utilice técnicas seguras de levantamiento de peso y un número razonable de personas con suficiente fuerza para levantar, cargar e instalar los productos de puertas y ventanas. Las puertas y ventanas más pesadas requerirán asistencia mecánica. De no hacerlo así, podrían producirse lesiones personales, daños al producto y/o a la propiedad.
- **NO** levante ni transporte la ventana desde el contramarco, las jambas de extensión, los herrajes ni los accesorios. De hacerlo así, podrían producirse lesiones personales, daños al producto y/o a la propiedad.
- Las puertas, las ventanas y los componentes de instalación pueden tener bordes afilados. Use equipo protector cuando las manipule. De no hacerlo así, podrían producirse lesiones personales.
- **NO** traslade por el piso ventanas, puertas, hojas o paneles arrastrándolos, tumbándolos, volteándolos o haciéndolos caminar. De hacerlo así, podría producir daños al producto o a la propiedad.

Instalación

ADVERTENCIA

- Sea cauteloso al trabajar en lugares elevados y cerca de las aberturas de puertas y ventanas. Siga las instrucciones del fabricante para el uso de escaleras y/o andamios. De no hacerlo así, podrían producirse lesiones o la muerte.
- Sostenga la ventana o la puerta en la abertura en todo momento hasta que esté totalmente sujeta. De no hacerlo así, la ventana o la puerta se podría caer y provocar lesiones, daños al producto o a la propiedad.
- Las ventanas y las puertas cuentan con piezas pequeñas (por ejemplo: tapones, tapas de la ranura del operador, sujetadores, etc.). Las piezas pequeñas, si llegaran a ser ingeridas, pueden representar un riesgo de asfixia para niños pequeños. Deseche las piezas sueltas y que no utilice o que hayan sido retiradas. De no hacerlo así, podrían producirse lesiones personales.
- Proteja las superficies del contacto con las herramientas. De no hacerlo, podrían producirse lesiones, daños al producto o deformaciones en su superficie.

Instalación (continuación)

AVISO

- Los flashings para cabecera y las bridas de instalación de Andersen **NO** reemplazan a la cinta flashing o al flashing líquido estándar de la ventana y puerta. La puerta o la ventana debe estar correctamente instalada con flashing y sellada con un sellador compatible con el material para protegerla contra la filtración de agua y aire. De no hacerlo así, podrían producirse daños al producto o a la propiedad.
- **NO** instale la ventana o la puerta directamente sobre la brida de instalación. De hacerlo así, podría afectar el rendimiento del producto, y podría producir daños al producto o a la propiedad.
- **NO** coloque la ventana directamente sobre la placa de riel inferior. Eleve la ventana con cuñas bajo las jambas laterales. De no hacerlo así, podría afectar el funcionamiento y el rendimiento del producto, y podría producir daños al producto.
- La ventana o la puerta deben calzarse de forma apropiada. De no hacerlo así, podría afectar el funcionamiento y el rendimiento del producto, y podría producir daños al producto.
- Se requiere el sellado interior continuo del perímetro completo entre el marco de la ventana o puerta y la abertura. De no hacerlo así, afectará el rendimiento del producto, y podría producir daños al producto o a la propiedad.
- Proteja los rieles de ventanas y puertas durante su instalación y durante todo el proceso de construcción. De no hacerlo así, el producto podría dañarse.
- **NO** retire el material de embalaje de ventanas o puertas hasta que se le instruya hacerlo. De hacerlo así, el producto se podría dañar.

Sellado

PRECAUCIÓN

- Siga las instrucciones del fabricante del flashing, del sellador y de la espuma con respecto a la seguridad, la aplicación del material, la compatibilidad y el mantenimiento periódico para la constante resistencia de su producto al clima. De no hacerlo así, podrían producirse lesiones personales, daños al producto o a la propiedad.

AVISO

- Limpie y prepare las superficies donde se colocará el sellador siguiendo las instrucciones del fabricante del sellador. De no hacerlo así, podría filtrarse agua y producirse daños al producto y/o a la propiedad.
- **NO USE** limpiadores abrasivos ni disolventes cuando limpie el material Fibrex®. De hacerlo así, podría producir daños al producto. Visite andersenwindows.com para ver la lista de limpiadores recomendados.

Ajuste

ADVERTENCIA

- Los componentes y los sujetadores de metal podrían corroerse cuando quedan expuestos a madera tratada con retardador de fuego y/o con preservante. Utilice los componentes y sujetadores apropiados para sujetar la ventana o la puerta. De no hacerlo así, podrían producirse fallas que resulten en lesiones personales, daños al producto y/o a la propiedad.
- El sujetador se debe ajustar a un armazón estructural con un empotramiento del sujetador mínimo de 1-1/2". De no hacerlo así, podrían producirse lesiones personales, daños al producto y/o a la propiedad.
- **NO** retire los tornillos que van ajustados a las abrazaderas de instalación o las placas de refuerzo a los marcos de las ventanas. De hacerlo así, podrían producirse lesiones personales, daños al producto y/o a la propiedad.

AVISO

- Utilice tornillos para mampostería cuando ajuste directamente en la mampostería o a través de un marco dentro de la mampostería. De no hacerlo así, podría afectar el rendimiento del producto, y podría producir daños al producto o a la propiedad.
- **NO** ajuste demasiado los tornillos o clavos. De lo contrario, el producto se podría dañar.
- Los sujetadores se deben unir a un miembro estructural del marco. De no hacerlo así, reducirá el desempeño estructural por debajo de los valores publicados, y puede afectar el rendimiento del producto, lo que podría causar daños en el producto o la propiedad.

Acabado

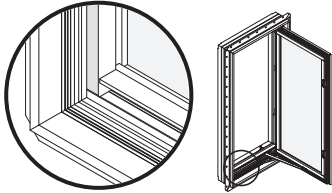
AVISO

- **NO** barnice ni pinte los burletes, el vinilo, el vidrio ni los herrajes. De hacerlo así, el producto se podría dañar.
- Lea y siga las instrucciones del fabricante para el acabado y la información de seguridad. De no hacerlo así, el producto podría dañarse.
- **NO** sobrecargue el cepillo con barniz o pintura cuando aplique el acabado. De hacerlo así, podría permitir que el acabado se filtre entre el junquillo perimetral y el vidrio.

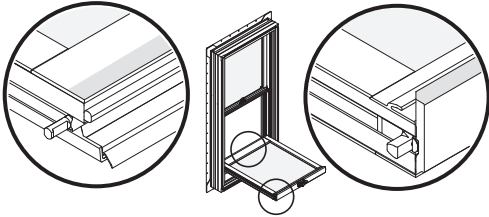
Acabado (continuación)

AVISO

• Aplique el acabado a todas las superficies de madera inmediatamente después de la instalación. La madera sin acabado se deteriorará, decolorará y/o podría torcerse o partirse. Algunas superficies no están a la vista.



• Algunos productos se envían sin ensamblar y puede ser más conveniente aplicar el acabado a las superficies de madera para estos productos antes de ensamblarlos e instalarlos.



Vidrio

⚠ ADVERTENCIA

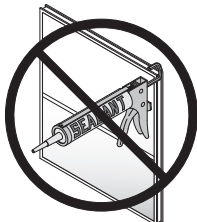
• A menos que se solicite específicamente, las ventanas Andersen no están equipadas con vidrios de seguridad, y si se rompen, se pueden fragmentar y causar lesiones. Muchas leyes y códigos de construcción exigen vidrios de seguridad en lugares adyacentes a puertas o cerca de éstas. Las ventanas Andersen se encuentran disponibles con vidrios de seguridad que pueden reducir la posibilidad de lesiones cuando se rompen. Para obtener información sobre el vidrio de seguridad, consulte a su distribuidor de Andersen local.

• Los vidrios de seguridad templados o laminados no son estándar para las ventanas y se requiere un pedido especial. Consulte los códigos locales de construcción para informarse sobre los lugares en los que se necesitan. De no hacerlo así, podrían producirse lesiones personales, daños al producto y/o a la propiedad.

AVISO

• **NO** aplique ningún tipo de películas a los vidrios aislantes. De hacerlo así, pueden producirse condiciones de tensión térmica que pueden ocasionar daños en el vidrio. Los protectores solares (p. ej., cortinas aislantes, persianas, etc.) pueden provocar tensión térmica y condensación, lo que puede producir deterioro de las ventanas o puertas.

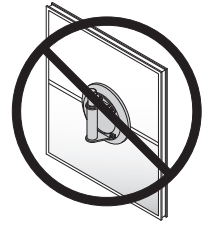
• **NO** utilice selladores en las superficies interiores o exteriores del vidrio.



Película protectora

⚠ ADVERTENCIA

• **NO** coloque ventosas sobre las costuras de la película protectora del vidrio. Las ventosas no funcionarán si se colocan sobre la costura de la película protectora para levantar o mover la ventana o la puerta. La ventana o la puerta se caerá y podrían producirse lesiones personales, daños al producto o a la propiedad.



• **NO** retire ninguna película protectora cerca de materiales inflamables. La carga estática que se crea al extraer la película protectora puede encender los materiales inflamables o provocar una sacudida. De hacerlo así, podrían producirse lesiones personales, daños al producto y/o a la propiedad. **Consulte las etiquetas de advertencia sobre el vidrio.**



• Deseche la película protectora inmediatamente después de retirarla. De no hacerlo así, podría crear un riesgo de asfixia para los niños.

AVISO

• **NO** retire la película protectora del vidrio hasta después de terminada la construcción. De hacerlo así, podría permitir que el vidrio se dañe.

• Retire la película protectora de los componentes que no sean de vidrio inmediatamente después de la instalación. De no hacerlo así, el producto podría dañarse.

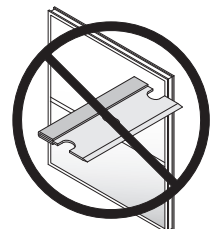
Limpieza

AVISO

• Las soluciones ácidas utilizadas para limpiar mampostería u hormigón dañarán los componentes de las ventanas o puertas. Para proteger la ventana o la puerta siga las instrucciones del fabricante del producto de limpieza. Si el ácido entra en contacto con la ventana o la puerta, lave inmediatamente todas las superficies con agua limpia.

• **NO** utilice ni aplique solventes, abrasivos, químicos agresivos o limpiadores a los componentes de la ventana o la puerta. De hacerlo así, dañará el producto. Visite andersenwindows.com para ver la lista de limpiadores recomendados.

• **NO** utilice hojas de afeitar de metal para limpiar las superficies de vidrio. Podría dañar el vidrio.



Uso/Funcionamiento

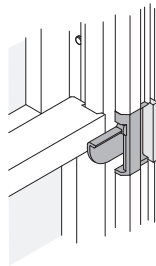
ADVERTENCIA

• **NO** se pare delante o cerca de puertas o ventanas durante una tormenta. De hacerlo así, podrían producirse lesiones personales. Los accesorios como las rejillas, los vidrios decorativos y los mosquiteros se pueden caer y volar por el aire si la ventana o puerta sufre el impacto de algún fragmento transportado por el viento fuerte de tormentas o huracanes. En caso de tormenta, retire todos los accesorios de puertas y ventanas y guárdelos en un lugar seguro.

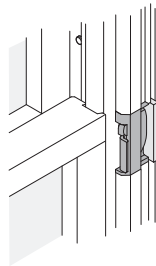
• **NO** instale el aire acondicionado en la ventana. De hacerlo así, podrían producirse lesiones personales, daños al producto y/o a la propiedad.



• Los soportes de carga de viento deben girarse hacia afuera cuando no esté inclinada o cuando no se esté limpiando la ventana. Si no se giran hacia afuera los soportes de carga de viento, la ventana puede caerse y causar lesiones o dañarse.



Girados hacia afuera



Girados hacia adentro

PRECAUCIÓN

• **NO** fije objetos o accesorios a la ventana o a la puerta con excepción de productos Andersen® diseñados especialmente para la ventana o la puerta. De hacerlo así, podrían producirse lesiones personales, daños al producto y/o a la propiedad.

Uniones

ADVERTENCIA

• **NO** haga uniones entre ninguna ventana o puerta, ni horizontal ni verticalmente, a ninguna otra ventana o puerta no diseñada para dicha unión. De hacerlo así, podrían producirse lesiones personales, daños al producto y/o a la propiedad.

• Las ventanas o las puertas unidas deben sostenerse individualmente en la abertura. De no hacerlo así, podría afectar el funcionamiento y el rendimiento del producto, y podría producir daños al producto o a la propiedad.

Información general y del producto

IMPORTANTE

• Los edificios construidos antes de 1978 pueden contener pintura con plomo que podría verse afectada durante la sustitución de ventanas o puertas. Para obtener más información sobre el manejo adecuado de la pintura con plomo, visite www.epa.gov/lead

• Es posible que las instrucciones no sean correctas para todas las instalaciones debido al diseño del edificio, los materiales de construcción o los métodos utilizados, y/o las condiciones de la obra o el edificio. Consulte a un constructor o arquitecto para obtener recomendaciones.

• Es posible que se necesite retirar las bridas de instalación en algunas instalaciones (por ejemplo, mampostería, reemplazo) o donde ya se haya aplicado el acabado exterior (por ejemplo, revestimiento, revestimiento del ladrillo, estuco).

• Las bridas de instalación de la ventana o la puerta no sellarán la ventana o la puerta apropiadamente por sí solas.

• **NO** retire la banda, las ataduras de plástico ni los sujetadores de embalaje de la ventana o la puerta hasta que se le indique.

• **NO** retire la etiqueta de rendimiento (NFRC) hasta que se realice la inspección final. De hacerlo así, podría demorar la inspección final y la aprobación del funcionario encargado del código de construcción.

• Consulte los códigos locales de construcción para identificar y confirmar que se cumplan los requisitos del código de construcción.

• Póngase en contacto con las autoridades locales o con la empresa de gestión de residuos para obtener instrucciones para el reciclaje y desecho adecuados de la ventana o puerta reemplazada.

• Para obtener instrucciones de limpieza para los componentes de puertas y ventanas, visite: andersenwindows.com.

• Durante la construcción, proteja los productos de escombros, sustancias químicas agresivas como el limpiador de ladrillos, la escorrentía del techo y el cemento/mampostería, los cuales pueden dañar las ventanas y puertas.

• No todas las ventanas o puertas tienen película protectora. La película protectora no es un sustituto del enmascarado.

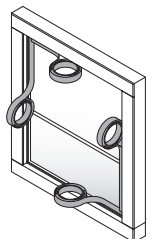
• Retire la película protectora del vidrio dentro de los seis (6) meses de la instalación y cuando la temperatura haya rebasado los 32° F.

• Retire la película protectora despegándola desde la costura o la esquina. Para empezar a despegarla, utilice una espátula de plástico si fuera necesario.

• Las jambas de extensión se pueden aplicar en la fábrica en algunas ventanas o se pueden aplicar en la obra antes de la instalación. **NO** aplique jambas de extensión antes de la instalación de una ventana o puerta que vaya a ser fijada con sujetadores de instalación. De hacerlo así, podría impedir el acceso a los sujetadores de instalación para la fijación.

• Para obtener información sobre la aplicación de jambas de extensión, consulte la guía de instrucciones incluida con la(s) parte(s) o visite andersenwindows.com

• Utilice cinta adhesiva de pintor para proteger los productos durante la construcción. Evite utilizar cintas de embalaje o de conductos.



1

Serie 200/400

Serie A

Serie E

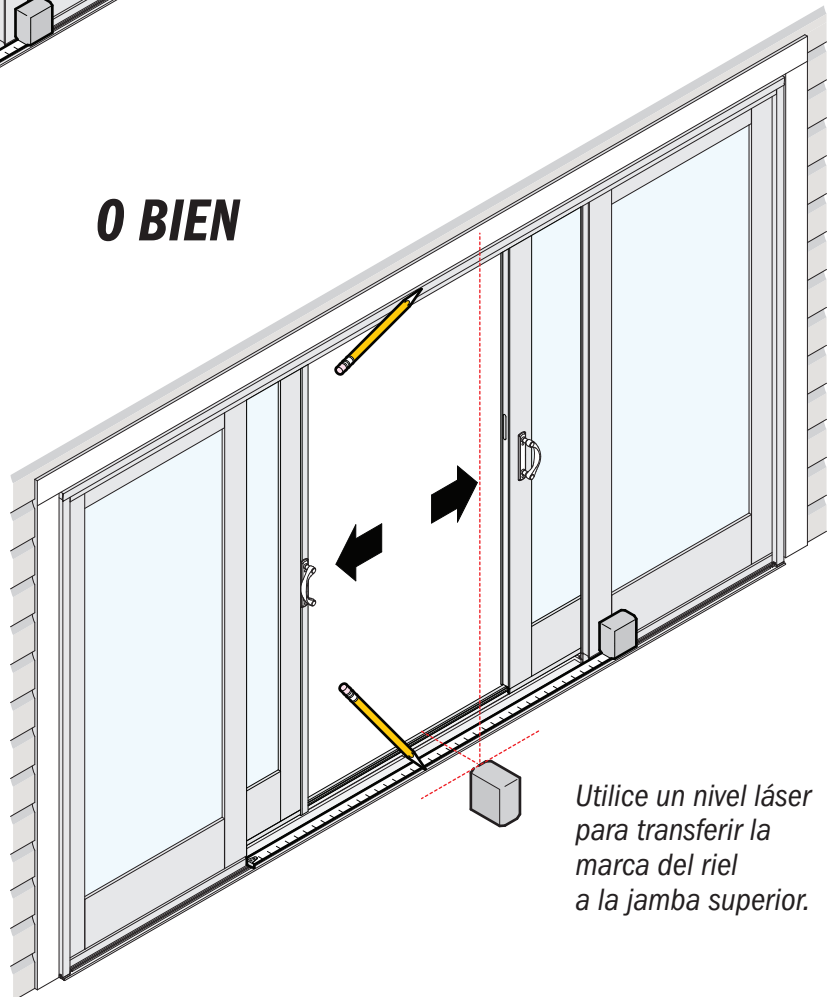
IMPORTANTE

- Verifique la plomada, el nivel y la cuadratura de la puerta del patio. Ajustelos según sea necesario hasta que las medidas queden dentro de 1/8".



Utilice una plomada y una escuadra de carpintero para transferir la marca del riel a la jamba superior.

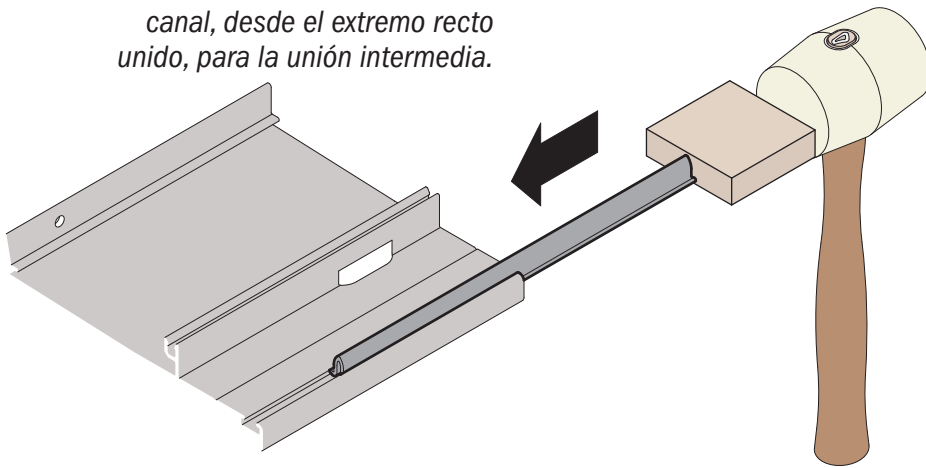
O BIEN



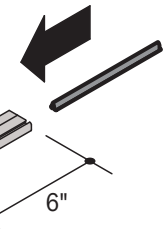
Utilice un nivel láser para transferir la marca del riel a la jamba superior.

Abra ambos paneles de la puerta del patio. Mida y marque el punto medio en el borde del riel entre los paneles fijos. Transfiera la marca del riel a la jamba superior usando una plomada o un nivel láser.

2 Deslice el inserto del adaptador del riel hasta la mitad en el canal, desde el extremo recto unido, para la unión intermedia.



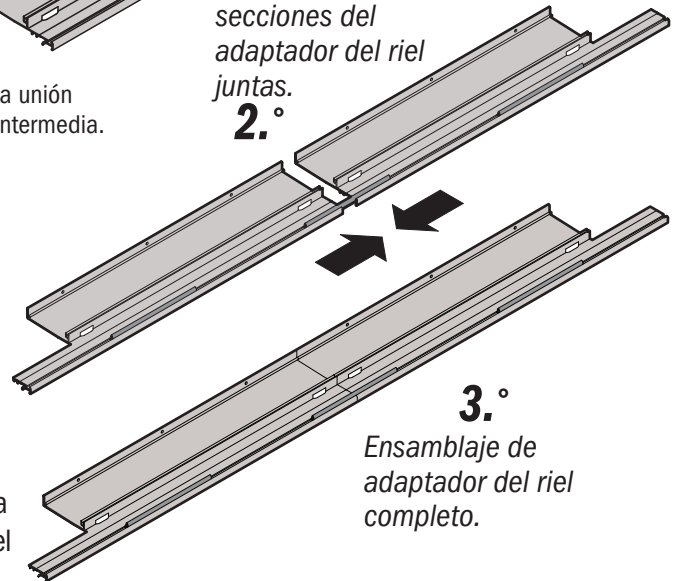
Deslice el inserto del adaptador del riel en el canal a 6" del extremo exterior.



1.º

Deslice las secciones del adaptador del riel juntas. **2.º**

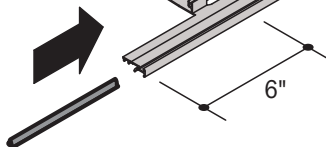
la unión intermedia.



3.º

Ensamblaje de adaptador del riel completo.

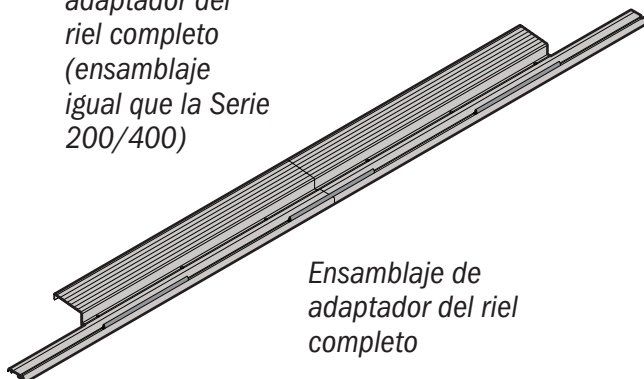
Deslice el inserto del adaptador del riel en el canal a 6" del extremo exterior.



Deslice los insertos del adaptador de riel en el canal y coloque las secciones del adaptador del riel juntas como se muestra. Utilice una maza de goma y un bloque para golpear el inserto del adaptador del riel en el canal, si es necesario.

Serie A

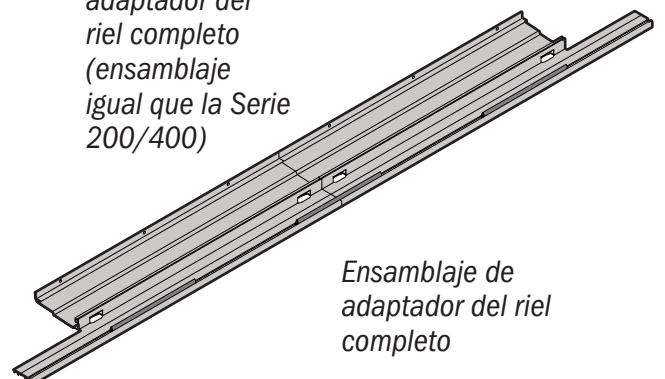
Ensamblaje de adaptador del riel completo (ensamblaje igual que la Serie 200/400)



Ensamblaje de adaptador del riel completo

Serie E

Ensamblaje de adaptador del riel completo (ensamblaje igual que la Serie 200/400)



Ensamblaje de adaptador del riel completo

Deslice los insertos del adaptador de riel en el canal y coloque las secciones del adaptador del riel juntas como se muestra. Utilice una maza de goma y un bloque para golpear el inserto del adaptador del riel en el canal, si es necesario.

3

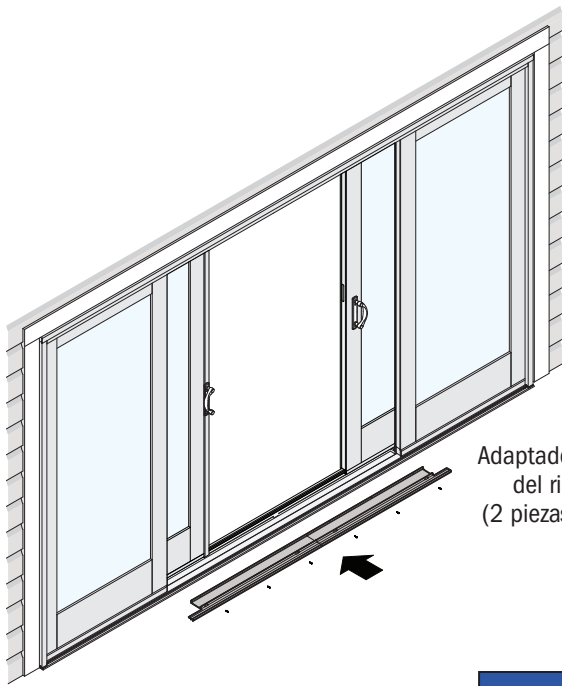
Serie 200/400

Tornillo
autoperforador
de acero inoxidable n.º 8 x 3/8"



AVISO

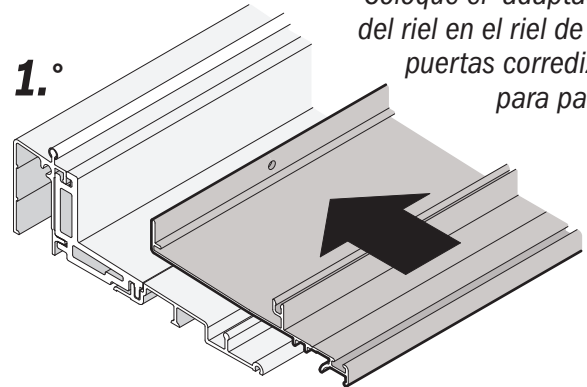
• Proteja las superficies del contacto con las herramientas. De lo contrario, se podrían dañar las superficies o el producto.



Adaptador del riel (2 piezas)

Coloque el adaptador del riel en el riel de las puertas corredizas para patio.

1.º

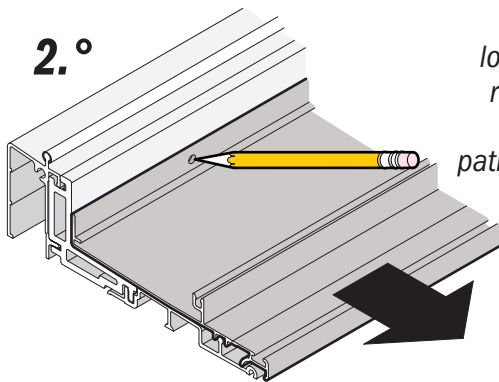


AVISO

• Solo taladre a través de la primera pared del componente, generalmente alrededor de 1/8". De no hacerlo así, podrían producirse daños al producto o a la propiedad.

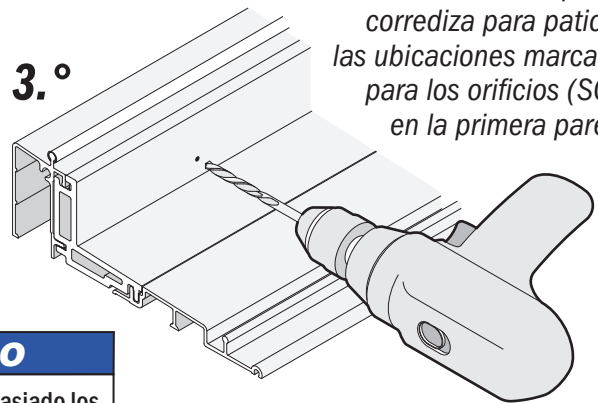
Perfore orificios de 1/8" a través del riel de la puerta corrediza para patio en las ubicaciones marcadas para los orificios (SOLO en la primera pared).

2.º



Marque las ubicaciones de los orificios en el riel de la puerta corrediza para patio y luego retire el adaptador del riel.

3.º

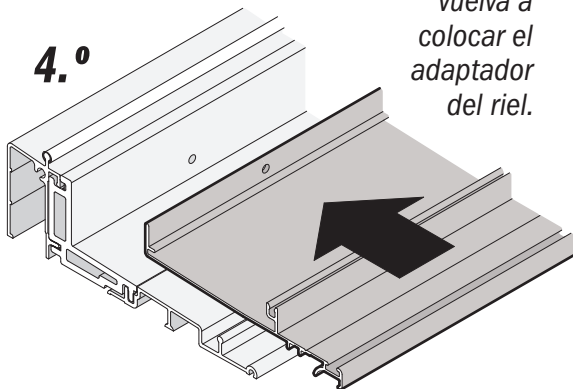


AVISO

• NO apriete demasiado los tornillos. De lo contrario, el producto se podría dañar.

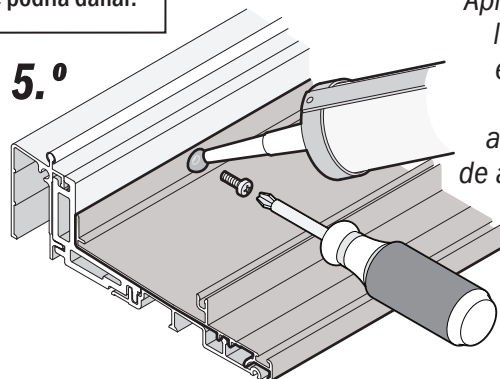
Aplique sellador en los orificios y fije el adaptador del riel con tornillos autoperforadores de acero inoxidable n.º 8 x 3/8".

4.º



Vuelva a colocar el adaptador del riel.

5.º



Centre el ensamblaje del adaptador del riel en el riel de la puerta del patio, alineándolo con la marca del punto medio. Marque las ubicaciones de los orificios, taladre orificios de 1/8" **SOLO** en la primera pared del riel, limpie los restos, vuelva a colocar el adaptador del riel, aplique sellador en los orificios y fíjelo con tornillos autoperforadores de acero inoxidable n.º 8 x 3/8". **NO** ajuste demasiado los tornillos.

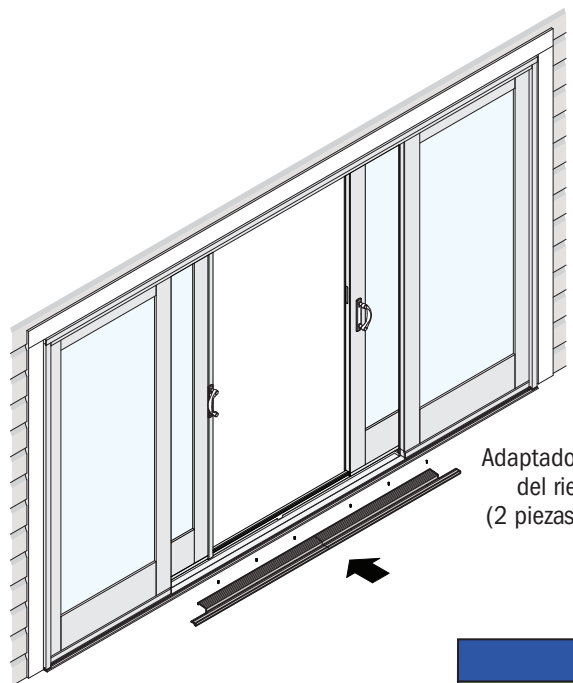
3 (continuación)

Serie A

Tornillo
autoperforador
de acero inoxidable n.º 8 x 3/4"

AVISO

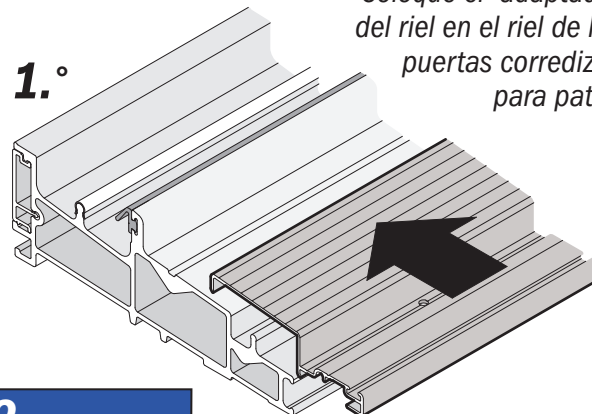
- Proteja las superficies del contacto con las herramientas. De lo contrario, se podrían dañar las superficies o el producto.



Adaptador del riel
(2 piezas)

Coloque el adaptador del riel en el riel de las puertas corredizas para patio.

1.º

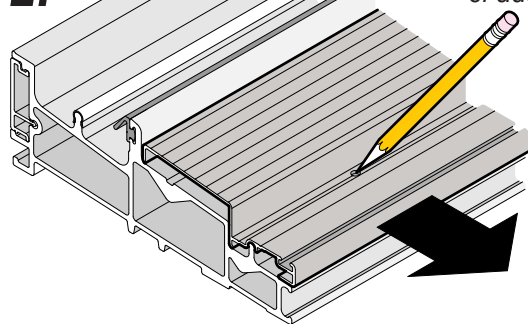


AVISO

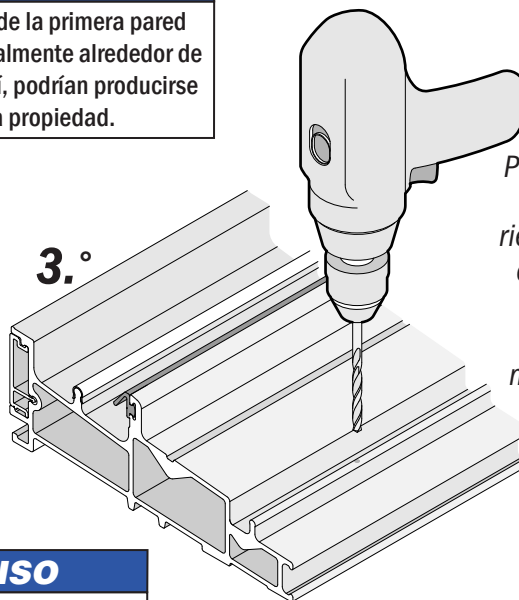
- Solo taladre a través de la primera pared del componente, generalmente alrededor de 1/8". De no hacerlo así, podrían producirse daños al producto o a la propiedad.

Marque las ubicaciones de los orificios en el riel de la puerta corrediza para patio y luego retire el adaptador del riel.

2.º



3.º

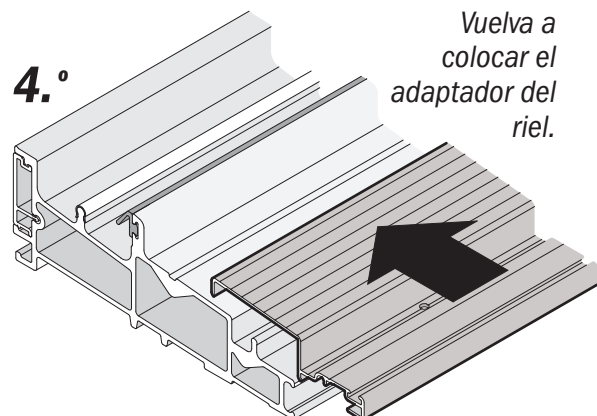


Perfore orificios de 1/8" en el riel de la puerta corrediza para patio en las ubicaciones marcadas para los orificios (SOLO en la primera pared).

AVISO

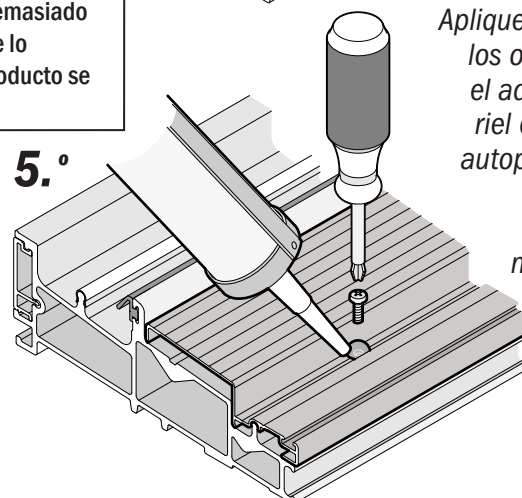
- NO apriete demasiado los tornillos. De lo contrario, el producto se podría dañar.

4.º



Vuelva a colocar el adaptador del riel.

5.º



Aplique sellador en los orificios y fije el adaptador del riel con tornillos autoperforadores de acero inoxidable n.º 8 x 3/4".

Centre el ensamblaje del adaptador del riel en el riel de la puerta del patio, alineándolo con la marca del punto medio. Marque las ubicaciones de los orificios, taladre orificios de 1/8" **SOLO** en la primera pared del riel, limpie los restos, vuelva a colocar el adaptador del riel, aplique sellador en los orificios y fíjelo con tornillos autoperforadores de acero inoxidable n.º 8 x 3/4". **NO** ajuste demasiado los tornillos.

3 (continuación)

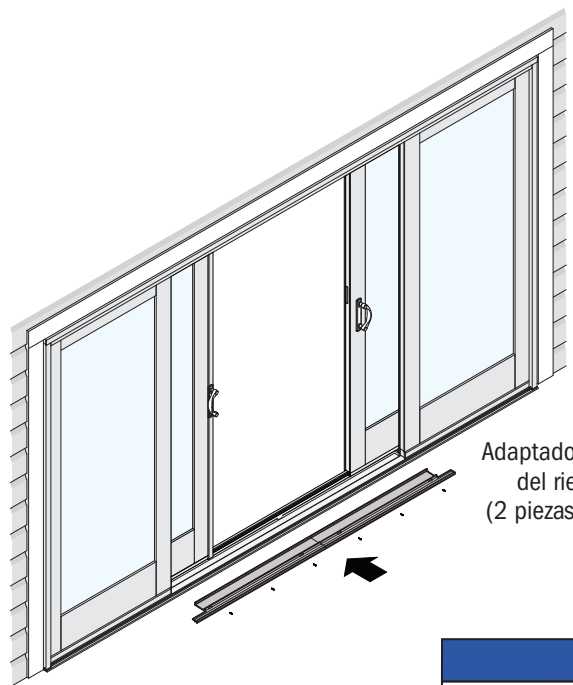
Serie E

Tornillo
autoperforador
de acero inoxidable n.º 8 x 3/8"



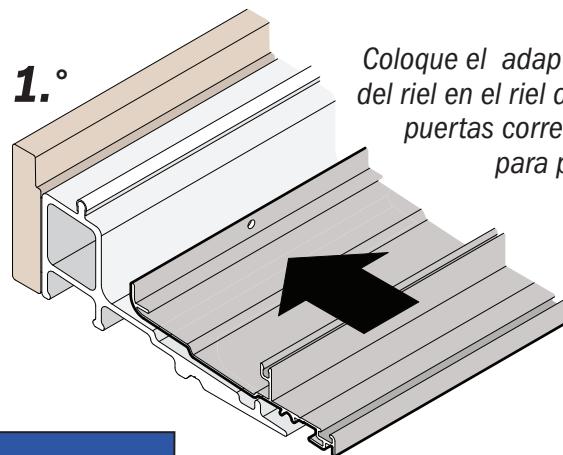
AVISO

• Proteja las superficies del contacto con las herramientas. De lo contrario, se podrían dañar las superficies o el producto.



Adaptador del riel (2 piezas)

1.º

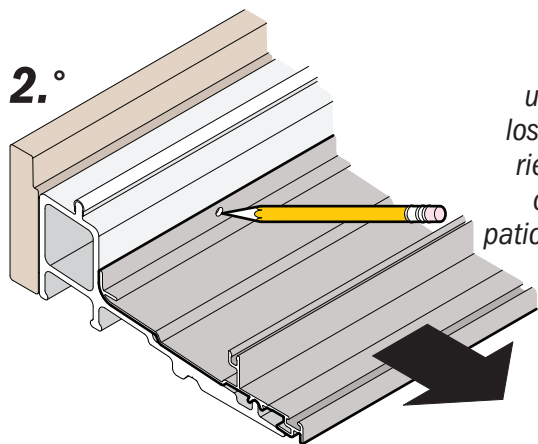


Coloque el adaptador del riel en el riel de las puertas corredizas para patio.

AVISO

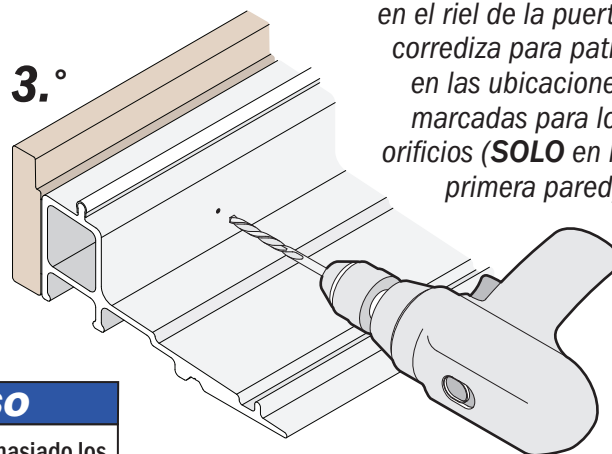
• Solo taladre a través de la primera pared del componente, generalmente alrededor de 1/8". De no hacerlo así, podrían producirse daños al producto o a la propiedad.

2.º



Marque las ubicaciones de los orificios en el riel de la puerta corrediza para patio y luego retire el adaptador del riel.

3.º

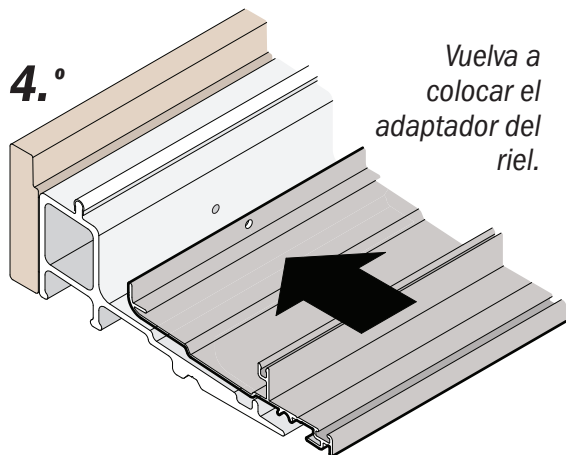


Perfore orificios de 1/8" en el riel de la puerta corrediza para patio en las ubicaciones marcadas para los orificios (SOLO en la primera pared).

AVISO

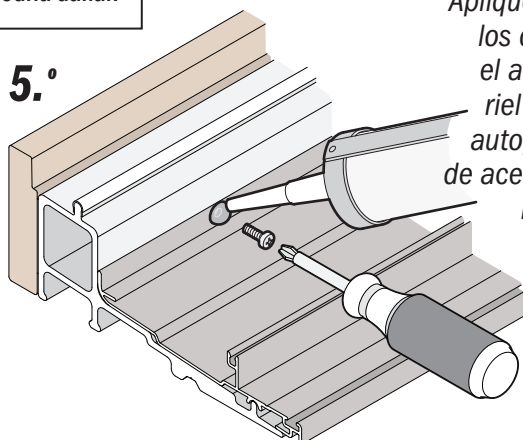
• NO apriete demasiado los tornillos. De lo contrario, el producto se podría dañar.

4.º



Vuelva a colocar el adaptador del riel.

5.º

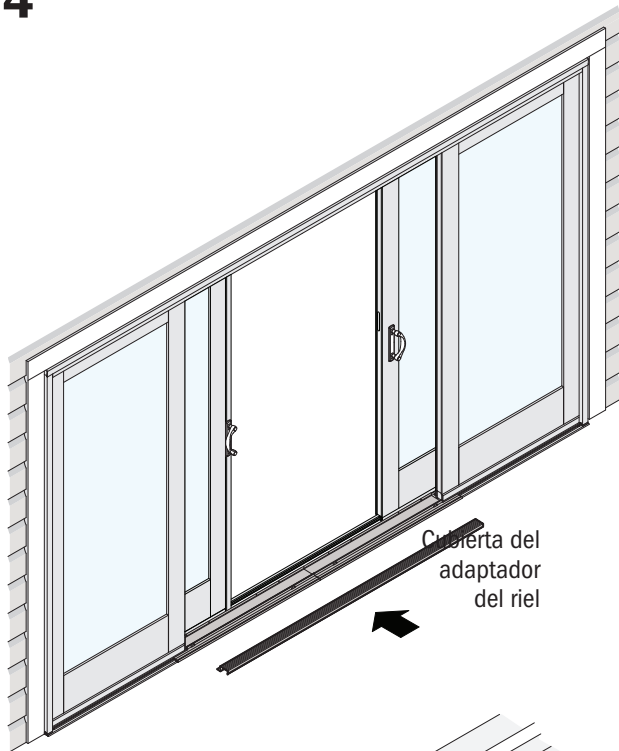


Aplique sellador en los orificios y fije el adaptador del riel con tornillos autoperforadores de acero inoxidable n.º 8 x 3/8".

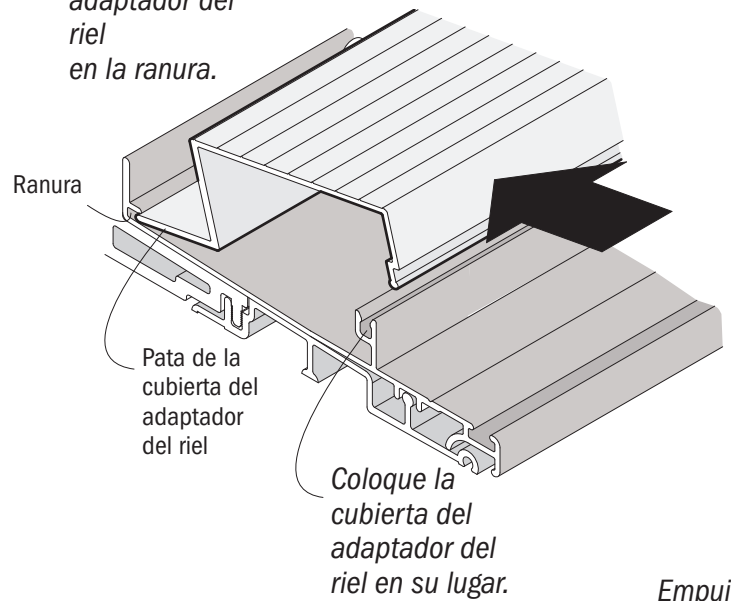
Centre el ensamblaje del adaptador del riel en el riel de la puerta del patio, alineándolo con la marca del punto medio. Marque las ubicaciones de los orificios, taladre orificios de 1/8" **SOLO** en la primera pared del riel, limpie los restos, vuelva a colocar el adaptador del riel, aplique sellador en los orificios y fíjelo con tornillos autoperforadores de acero inoxidable n.º 8 x 3/8". **NO** ajuste demasiado los tornillos.

4

Serie 200/400

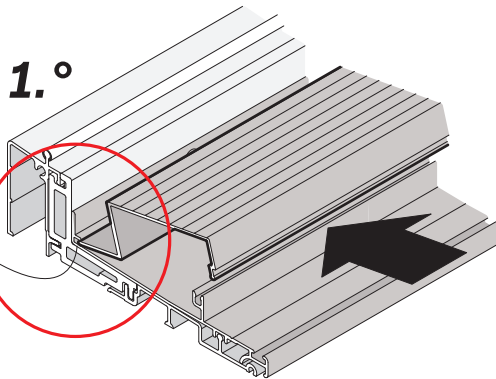


Inserte la pata de la cubierta del adaptador del riel en la ranura.

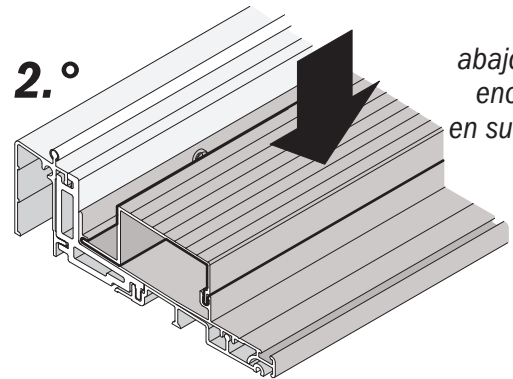


Empuje hacia abajo para encajarlo en su lugar.

1.º
Inserte la pata de la cubierta del adaptador del riel en la ranura.



2.º



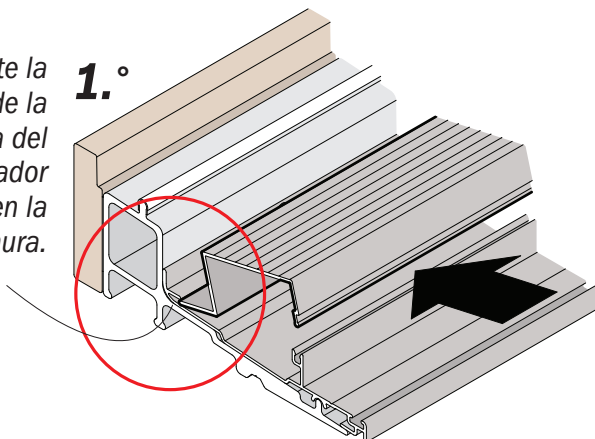
Centre las cubiertas del adaptador del riel en el ensamblaje del adaptador del riel y encájelo en su lugar.

Serie A

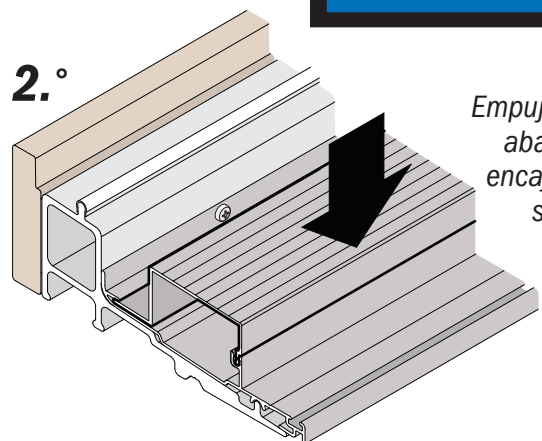
(No se requiere este paso)

Serie E

1.º
Inserte la pata de la cubierta del adaptador del riel en la ranura.



2.º



Empuje hacia abajo para encajarlo en su lugar.

Centre las cubiertas del adaptador del riel en el ensamblaje del adaptador del riel y encájelo en su lugar.

5

Serie 200/400

Dispositivo de retención del bastidor del mosquitero existente

1.º



Tornillo de acero inoxidable n.º 8 x 2"

AVISO

• Proteja las superficies del contacto con las herramientas. De lo contrario, se podrían dañar las superficies o el producto.

Coloque el dispositivo de retención del bastidor principal.

SOLO a 3/4" de profundidad.

2.º

Perfore orificios de 1/8", de 3/4" de profundidad usando el dispositivo de retención del bastidor principal como guía.

3.º

Retire el dispositivo de retención del bastidor principal.

AVISO

• NO taladre más de 3/4" en la jamba superior. De lo contrario, dañará el producto.

4.º

Aplique sellador en los orificios.

5.º

Vuelva a colocar el dispositivo de retención del bastidor principal.

6.º

Sujete los dispositivos de retención del bastidor principal con tornillos de acero inoxidable n.º 8 x 2".

Coloque las mitades del dispositivo de retención del bastidor principal juntas, alineando cada mitad con la marca del punto medio en el bastidor del mosquitero existente. Taladre orificios de 1/8", de 3/4" de profundidad en la jamba superior. Retire los dispositivos de retención del bastidor principal, limpie los restos, aplique sellador en los orificios, vuelva a colocar los dispositivos de retención del bastidor principal y fije con tornillos de acero inoxidable n.º 8 x 2".

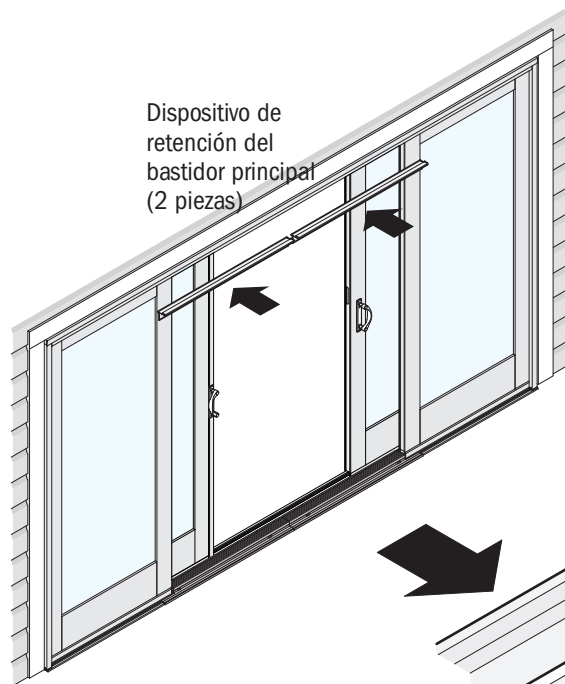
5 (continuación)

Serie A

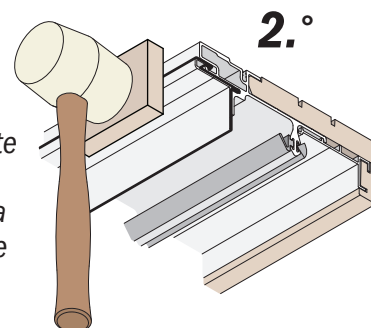
AVISO

- Proteja las superficies del contacto con las herramientas. De lo contrario, se podrían dañar las superficies o el producto.

No se requiere sujetador



Encájelo en la ranura y asíéntelo completamente usando una maza de goma y un bloque de madera.



Junte las mitades del dispositivo de retención del bastidor principal, alineando cada mitad con la marca del punto medio y encaje en el corte usando una maza de goma y un bloque de madera.

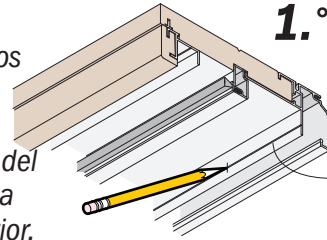
Esta zona se ha dejado en blanco intencionadamente.

5 (continuación)



Marque las ubicaciones de los orificios en la cara interior de la ranura del bastidor de la jamba superior.

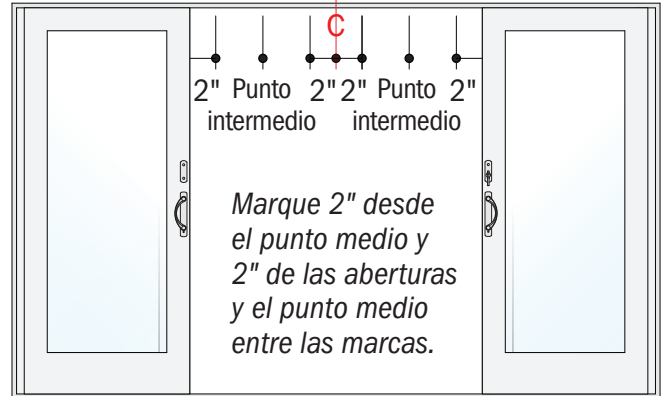
Vista interior 1.º



Serie E

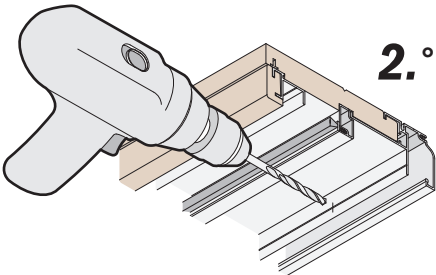
Tornillo autorroscante n.º 8 x 3/8"

Marca intermedia



AVISO

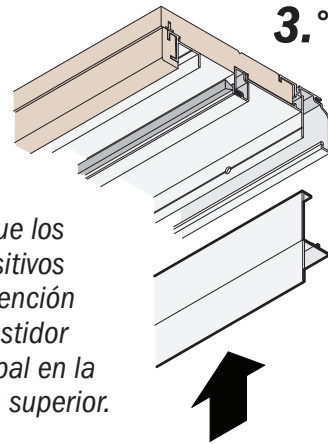
- Proteja las superficies del contacto con las herramientas. De lo contrario, se podrían dañar las superficies o el producto.



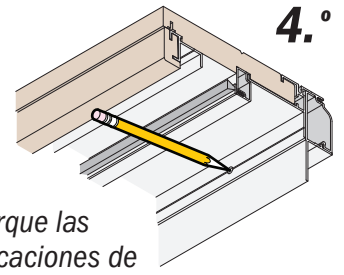
Taladre orificios de 1/8" en las ubicaciones marcadas en la ranura del bastidor principal.

AVISO

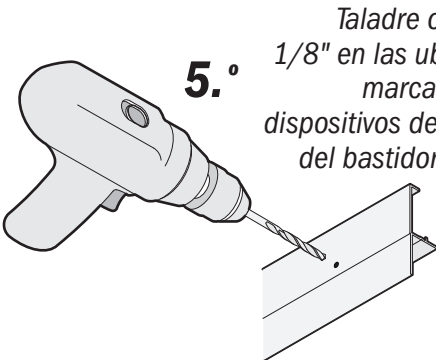
- Solo taladre a través de la primera pared del componente, generalmente alrededor de 1/8". De no hacerlo así, podrían producirse daños al producto o a la propiedad.



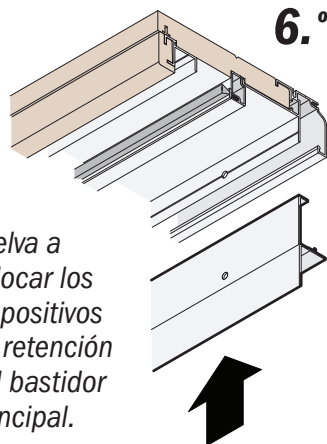
Coloque los dispositivos de retención del bastidor principal en la jamba superior.



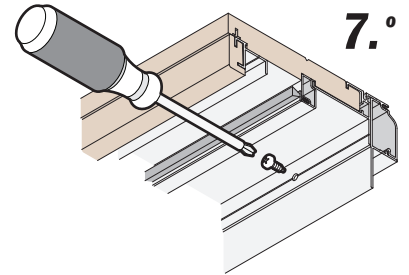
Marque las ubicaciones de los orificios en los dispositivos de retención del bastidor principal.



Taladre orificios de 1/8" en las ubicaciones marcadas en los dispositivos de retención del bastidor principal.



Vuelva a colocar los dispositivos de retención del bastidor principal.



Ajuste los dispositivos de retención del bastidor principal con tornillos autorroscantes n.º 8 x 3/8".

Abra por completo los paneles de la puerta para patio. Mida y marque las ubicaciones de los orificios a 2" desde el punto medio y desde los extremos de las aberturas y el punto medio entre las marcas. Perfore orificios de 1/8" en las ubicaciones marcadas. Coloque las mitades del dispositivo de retención del bastidor principal juntas, alineando las secciones con la marca del punto medio y marque las ubicaciones de los orificios utilizando los orificios previamente perforados como guía. Taladre orificios de 1/8" en las ubicaciones marcadas, limpie los restos y fije con tornillos autorroscantes n.º 8 x 3/8".

6

Serie 200/400

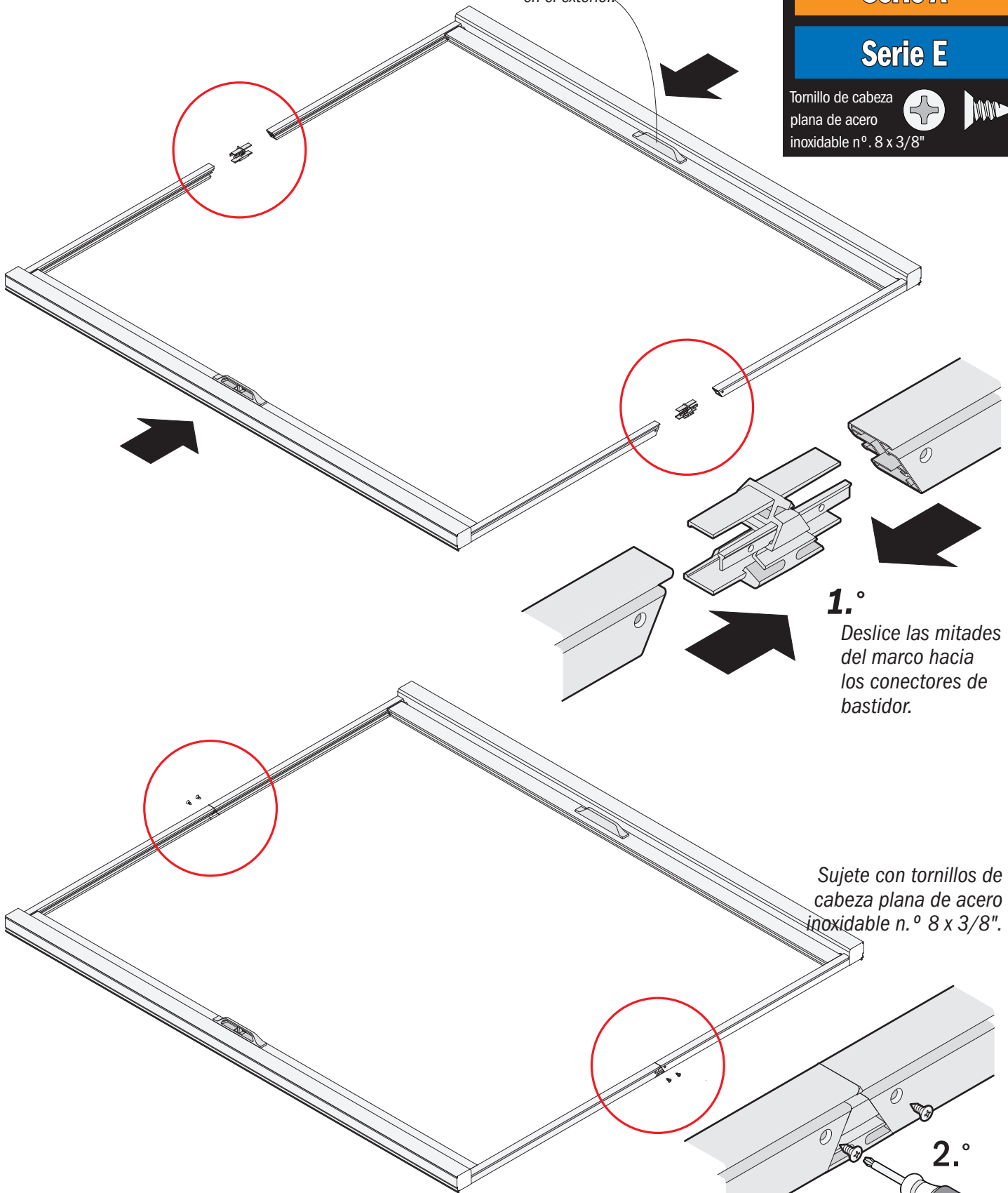
Serie A

Serie E

Tornillo de cabeza
plana de acero
inoxidable n.º 8 x 3/8"



La manija
elevada está
en el exterior.



1.º
Deslice las mitades
del marco hacia
los conectores de
bastidor.

Sujete con tornillos de
cabeza plana de acero
inoxidable n.º 8 x 3/8".

2.º

Coloque los componentes del marco del mosquitero doble, con el lado exterior hacia arriba, y ensamble como se muestra. Sujete con tornillos de cabeza plana de acero inoxidable n.º 8 x 3/8".

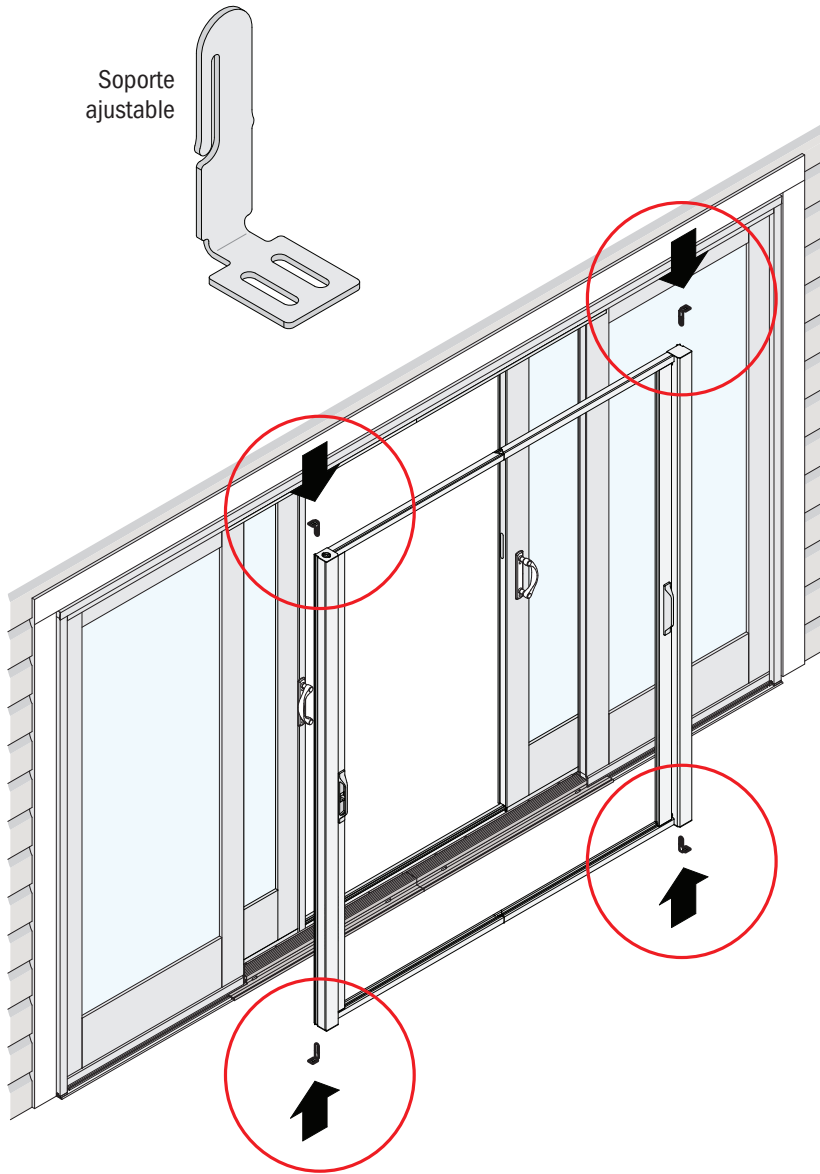
7

Serie 200/400

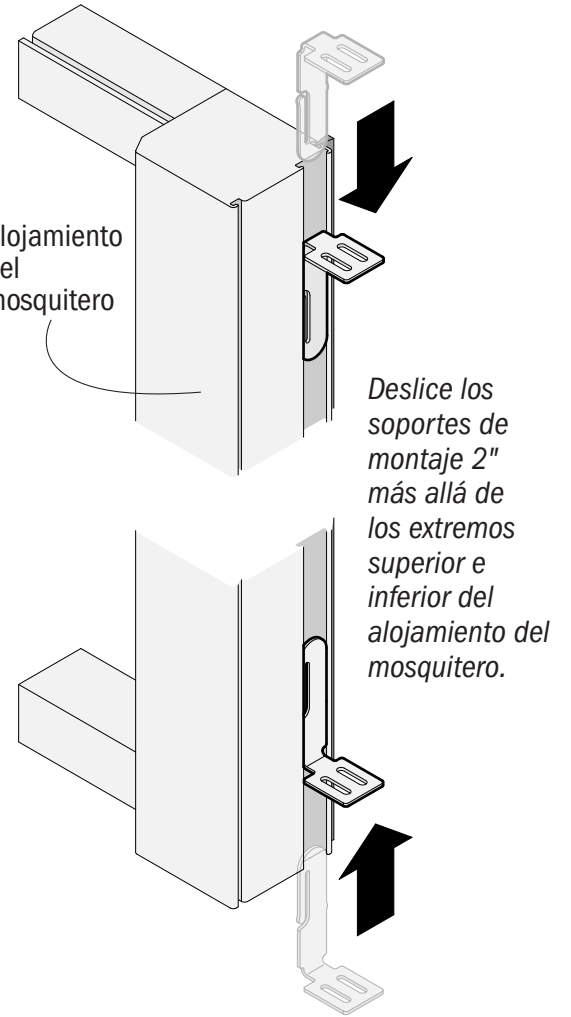
Serie A

Serie E

Soporte ajustable



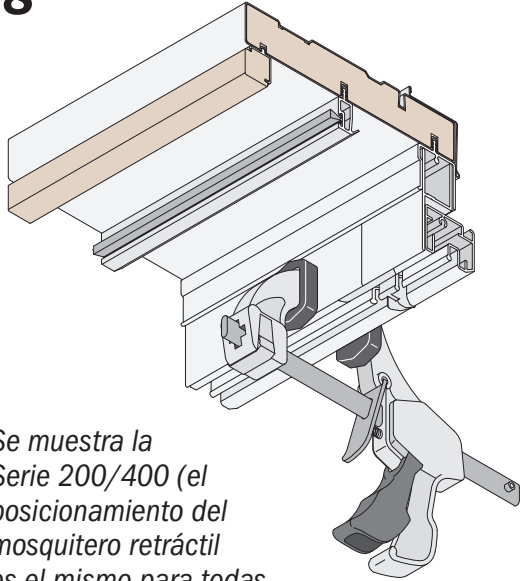
Alojamiento del mosquitero



Deslice los soportes de montaje 2" más allá de los extremos superior e inferior del alojamiento del mosquitero.

Seleccione el color del soporte de montaje (negro o acero inoxidable). Deslice los soportes de montaje en la parte superior e inferior del alojamiento del mosquitero, con los soportes ajustables hacia el exterior.

8



Se muestra la Serie 200/400 (el posicionamiento del mosquitero retráctil es el mismo para todas las series).

AVISO

· Asegúrese de que los soportes de montaje estén colocados más allá de los extremos superior e inferior del contenedor del mosquitero antes de girar el ensamblaje dentro del marco. No hacerlo podría causar daños al producto.

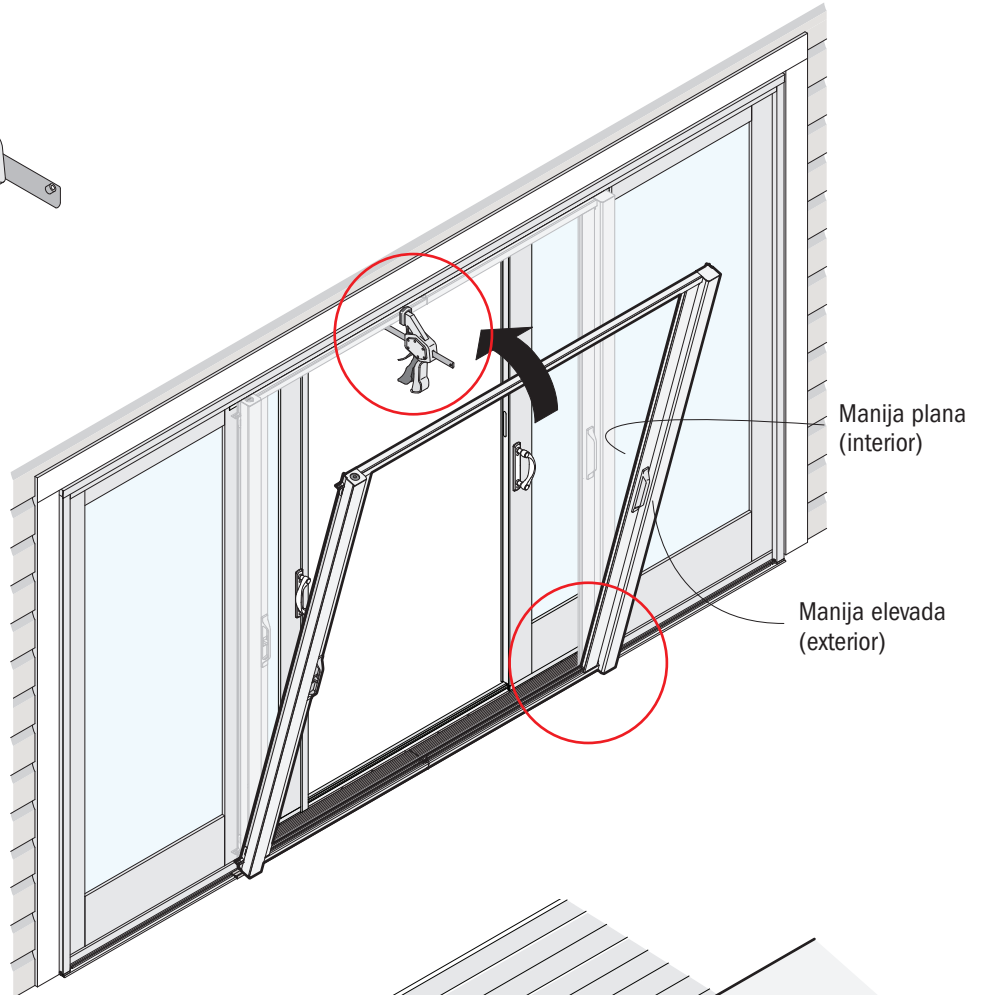
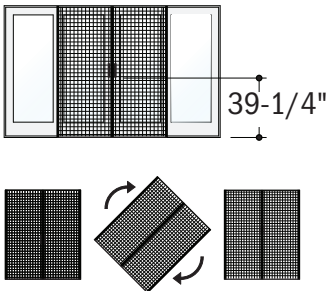
Serie 200/400

Serie A

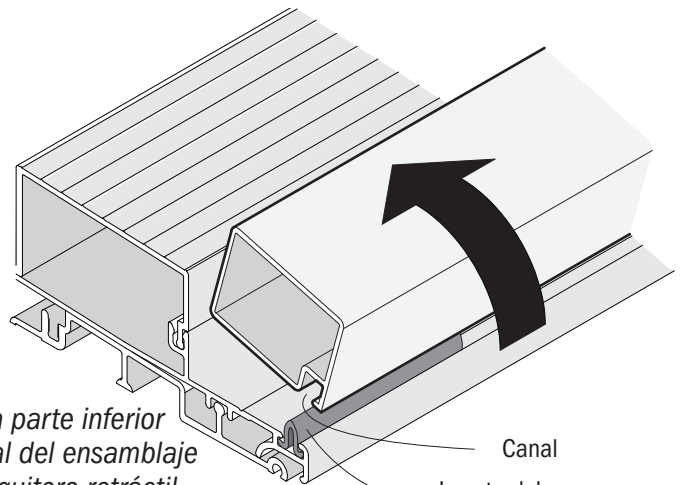
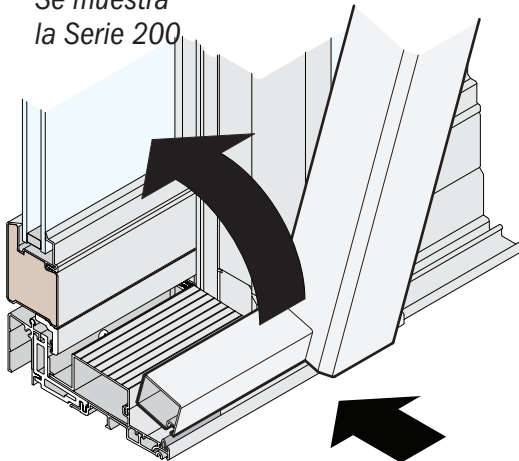
Serie E

IMPORTANTE

• La distancia desde la parte inferior del bastidor del mosquitero retráctil hasta la parte inferior de la manija es de 39-1/4". Gire el mosquitero 180° para corregir la orientación si es necesario.



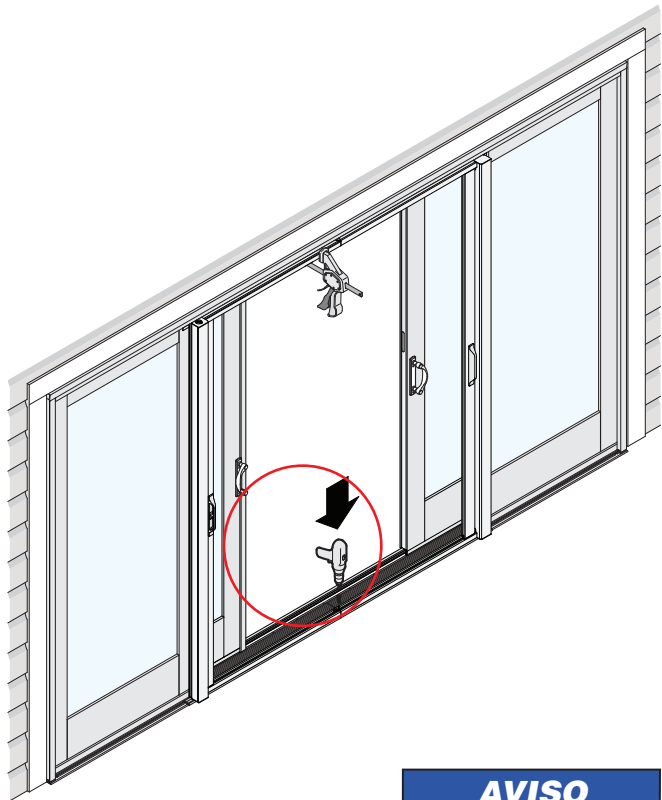
Se muestra la Serie 200



Alinee la parte inferior del canal del ensamblaje del mosquitero retráctil sobre los insertos del adaptador del riel.

Centre el ensamblaje del mosquitero retráctil en el adaptador del riel, alineando los insertos del adaptador del riel con el canal en la parte inferior del ensamblaje del mosquitero retráctil y gírelo hasta su posición. Sujete en la parte superior para mantener en su lugar hasta que esté sujeto.

9



Serie 200/400

Serie A

Serie E



Tornillo autorroscante de acero inoxidable n.º 8 x 3/4"

AVISO

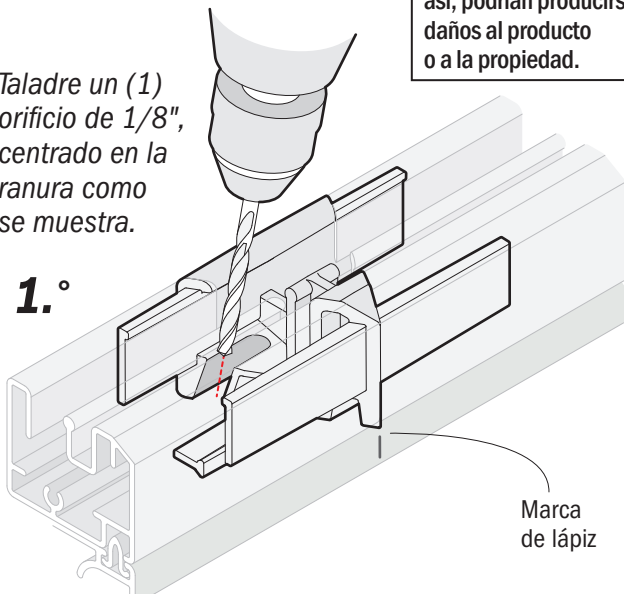
· Proteja las superficies del contacto con las herramientas o se podrían dañar las superficies o el producto.

AVISO

• Solo taladre a través de la primera pared del componente, generalmente alrededor de 1/8". De no hacerlo así, podrían producirse daños al producto o a la propiedad.

Taladre un (1) orificio de 1/8", centrado en la ranura como se muestra.

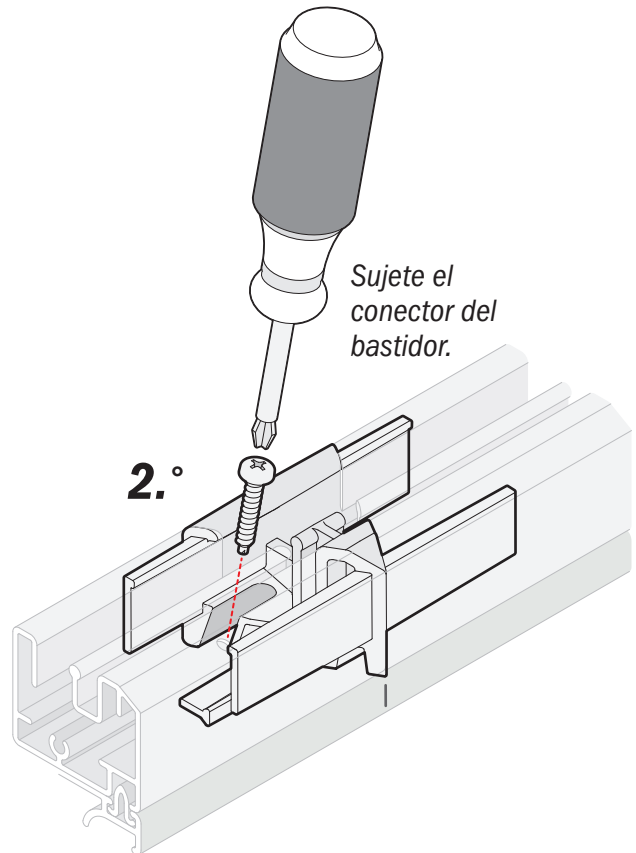
1.º



Marca de lápiz

Sujete el conector del bastidor.

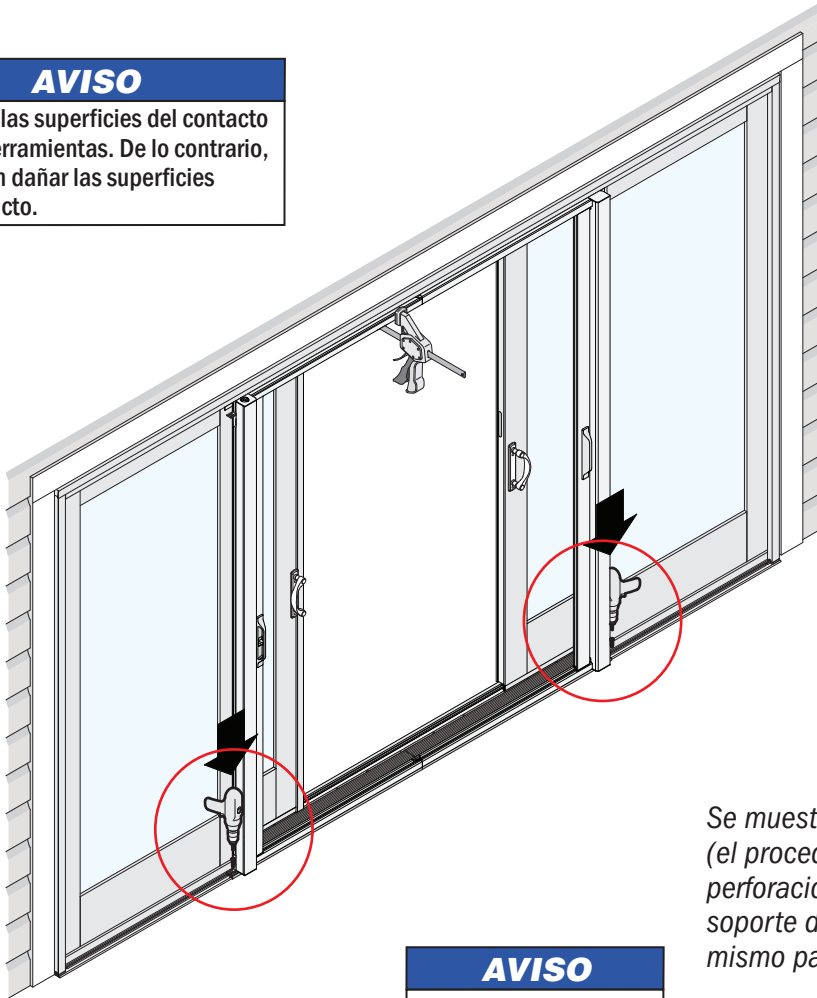
2.º



Verifique que el punto medio del bastidor del riel del mosquitero retráctil esté alineado con la marca del lápiz. Perfore un (1) orificio de 1/8" como se muestra y elimine los restos. Sujete el conector del bastidor al riel (centro de la ranura) con un tornillo de acero inoxidable autorroscante n.º 8 x 3/4".

AVISO

- Proteja las superficies del contacto con las herramientas. De lo contrario, se podrían dañar las superficies o el producto.



Serie 200/400

Serie A

Serie E

Tornillo autorroscante negro o de acero inoxidable n.º 8 x 3/8"

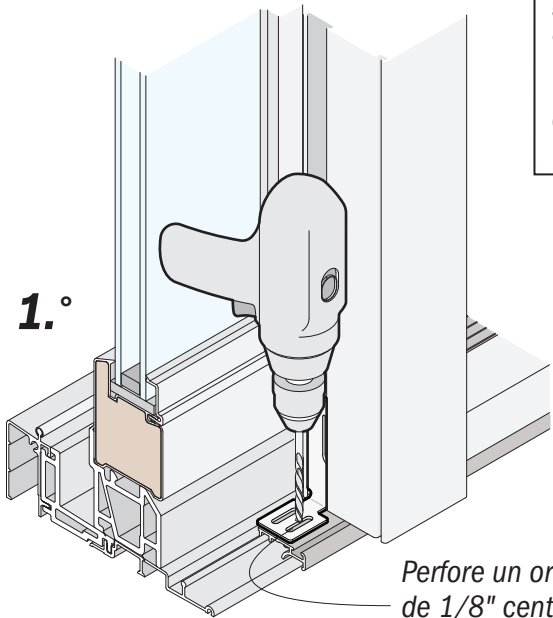


Se muestra la Serie 200/400 (el procedimiento para la perforación y la fijación del soporte de montaje es el mismo para todas las series).

AVISO

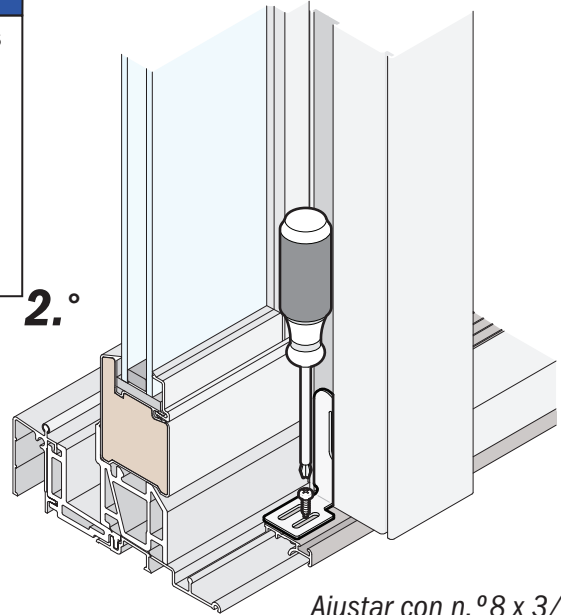
- Solo taladre a través de la primera pared del componente, generalmente alrededor de 1/8". De no hacerlo así, podrían producirse daños al producto o a la propiedad.

1.º



Perfore un orificio de 1/8" centrado únicamente en la ranura exterior.

2.º



Ajustar con n.º 8 x 3/8" tornillo auto perforante de acero inoxidable o negro

Deslice los soportes de montaje hacia abajo hasta el adaptador del riel. Perfore un orificio de 1/8", limpie los restos y fíjelo con un tornillo autorroscante negro o de acero inoxidable n.º 8 x 3/8" para cada soporte de montaje inferior.

AVISO

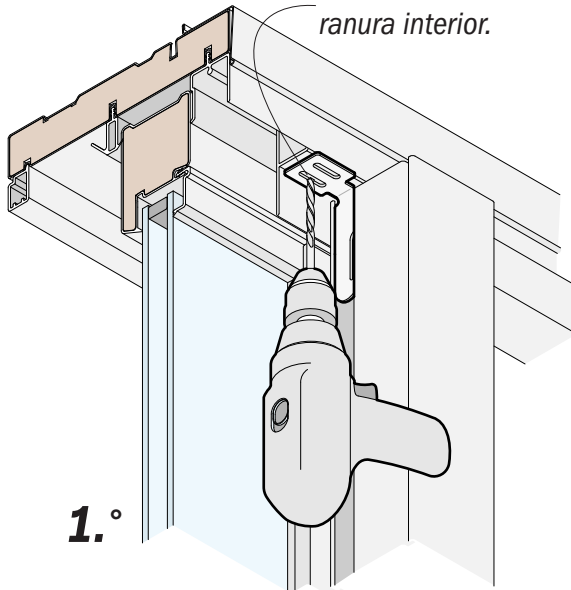
- Proteja las superficies del contacto con las herramientas. De lo contrario, se podrían dañar las superficies o el producto.



AVISO

- Solo taladre a través de la primera pared del componente, generalmente alrededor de 1/8". De lo contrario, se podrían dañar el producto o la propiedad.

Taladre un orificio de 1/8", centrado únicamente en la ranura interior.



1.º

Serie 200/400

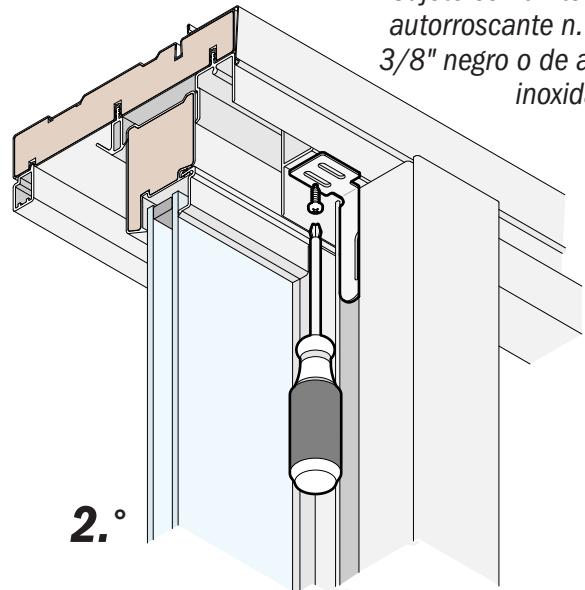
Serie A

Serie E

Tornillo autorroscante negro o de acero inoxidable n.º 8 x 3/8"

Se muestra la Serie 200/400 (el procedimiento para la perforación y la fijación del soporte de montaje es el mismo para todas las series).

Sujete con un tornillo autorroscante n.º 8 x 3/8" negro o de acero inoxidable.



2.º

Verifique que el punto medio del bastidor principal del mosquetero retráctil esté alineado con la marca del lápiz. En caso de ser necesario, vuelva a alinearlo y a sujetarlo. Deslice los soportes de montaje al dispositivo de retención del bastidor principal. Perfore un orificio de 1/8", limpie los restos y fíjelo con un tornillo autorroscante negro o de acero inoxidable n.º 8 x 3/8" para cada soporte de montaje superior.

12

IMPORTANTE

- Verifique la posición del mosquitero retráctil antes de fijarlo al conector de bastidor

Vista exterior

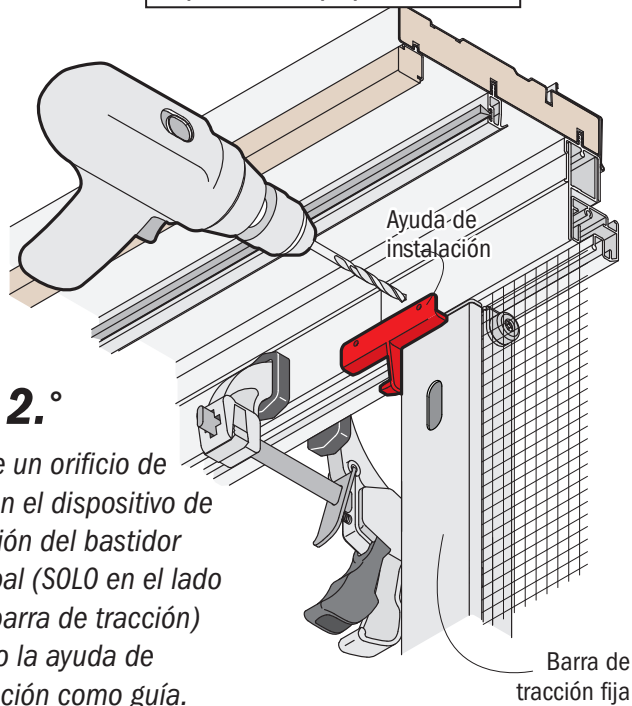
Cierre el lado fijo del mosquitero retráctil (el lado fijo tiene una ranura de ajuste en la cara interior de la barra de tracción).



Se muestra la configuración del mosquitero retráctil con puerta hacia la derecha.

AVISO

- Solo taladre a través de la primera pared del componente, generalmente alrededor de 1/8". De lo contrario, se podrían dañar el producto o la propiedad.



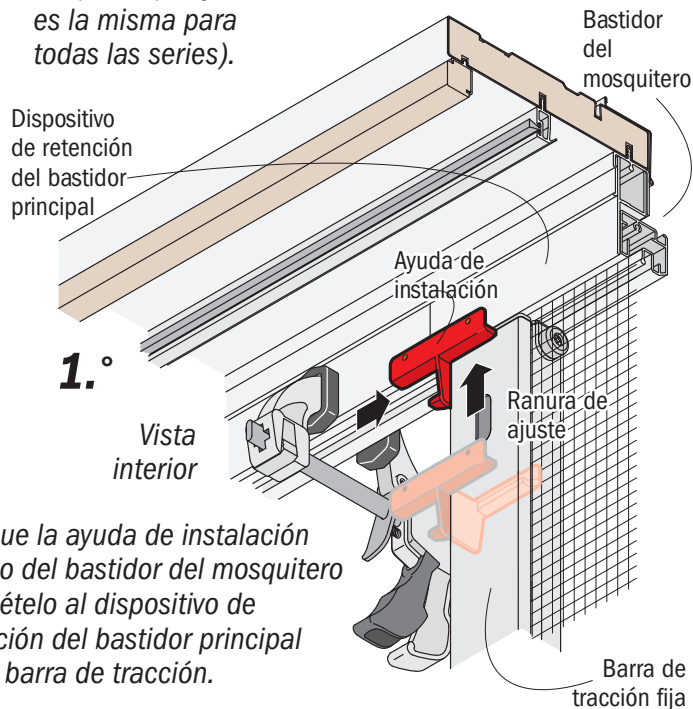
2.º

Perfore un orificio de 1/8" en el dispositivo de retención del bastidor principal (SOLO en el lado de la barra de tracción) usando la ayuda de instalación como guía.

AVISO

- Proteja las superficies del contacto con las herramientas. De lo contrario, se podrían dañar las superficies o el producto.

Se muestra la Serie 200/400 (la fijación es la misma para todas las series).



1.º

Vista interior

Coloque la ayuda de instalación debajo del bastidor del mosquitero y apriételo al dispositivo de retención del bastidor principal y a la barra de tracción.

3.º

Ajuste los dispositivos de retención del bastidor principal al conector de bastidor con un tornillo autorroscante n.º 8 x 3/8" del mismo color.

Serie 200/400

Serie A

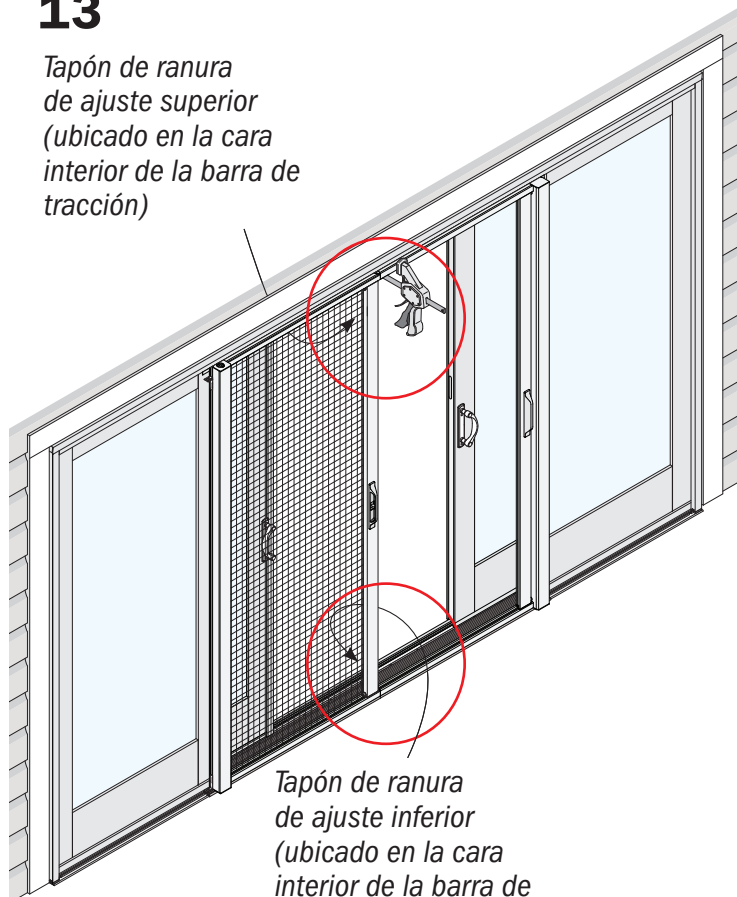
Serie E

Tornillo autorroscante de color a juego n.º 8 x 3/8"



13

Tapón de ranura de ajuste superior (ubicado en la cara interior de la barra de tracción)



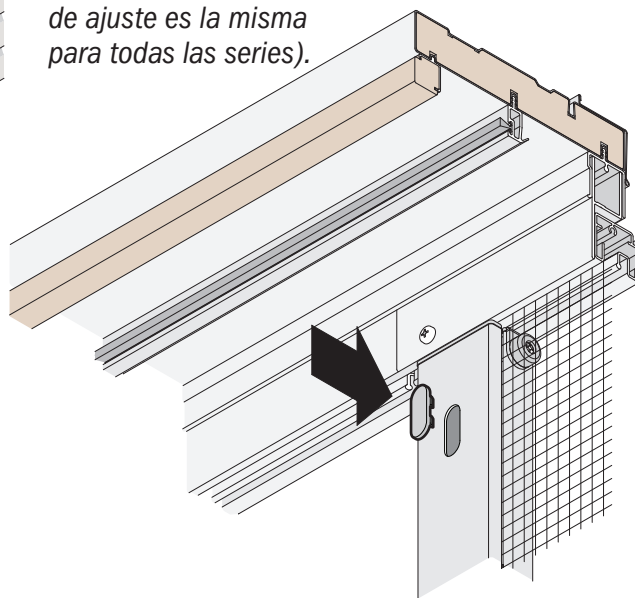
Tapón de ranura de ajuste inferior (ubicado en la cara interior de la barra de tracción)

Serie 200/400

Serie A

Serie E

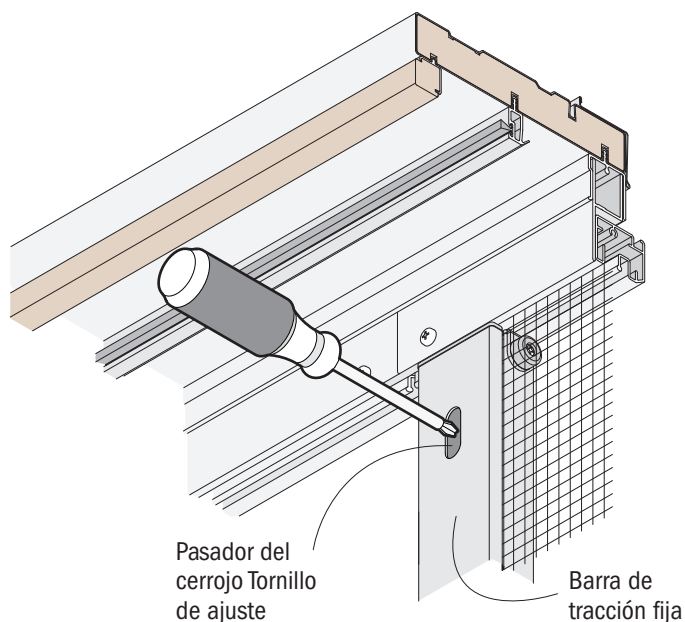
Se muestra la Serie 200/400 (la aplicación del tapón de la ranura de ajuste es la misma para todas las series).



Verifique el funcionamiento del pasador de bloqueo y ajústelo según sea necesario. (Véalo abajo). Aplique el tapón de la ranura de ajuste en la parte superior e inferior.

La instalación está completa.

Ajuste del pasador del cerrojo



IMPORTANTE

- **NO** quite completamente el tornillo. De lo contrario, podría provocar que el tornillo caiga dentro de la barra de tracción fija.

Afloje el tornillo dentro de la ranura de ajuste superior, hasta que se pueda mover, manteniendo el destornillador Phillips en contacto con el tornillo (aproximadamente dos vueltas). **NO** quite completamente el tornillo. Utilice el destornillador Phillips para deslizar el pasador de bloqueo superior hacia el bastidor del mosquitero hasta que se detenga. Ajuste el tornillo. Repita lo mismo para la ranura de ajuste inferior si es necesario.

Serie 200/400

Serie A

Serie E

Preguntas frecuentes

1. ¿Cómo abro y cierro el mosquitero retráctil?

Utilice la manija para extender el mosquitero retráctil. Se cerrará automáticamente cuando esté completamente extendido. Deslice la palanca de liberación hacia arriba o hacia abajo para desbloquearlo. El mosquitero retráctil se retraerá automáticamente.

2. ¿Cómo limpio la malla del mosquitero?

Utilice un cepillo limpio y suave para limpiar suavemente la malla del mosquitero según sea necesario.

3. ¿Qué debo hacer para mantener mi mosquitero retráctil?

Los bastidores del mosquitero necesitarán aspirarse y enjuagarse ocasionalmente con agua para eliminar la suciedad y los residuos. Esto ayudará a mantener los bastidores limpios y libres de residuos que puedan afectar el funcionamiento.

4. ¿Se pueden comprar piezas de repuesto si algo se daña en mi mosquitero retráctil?

Para comprar piezas, visite parts.andersenstormdoors.com o llame al Servicio al Cliente al 888-888-7020. Es útil tener su número de serie al realizar el pedido de piezas. El número de serie se encuentra en la parte posterior del alojamiento del mosquitero activo.

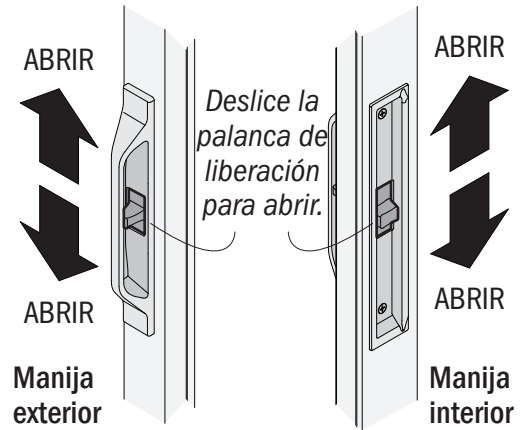
5. ¿Qué debo hacer con la unidad en tiempo frío?

Se recomienda guardar la unidad en la posición retraída durante el tiempo frío. No recomendamos usarla cuando las temperaturas están cerca o por debajo del punto de congelación.

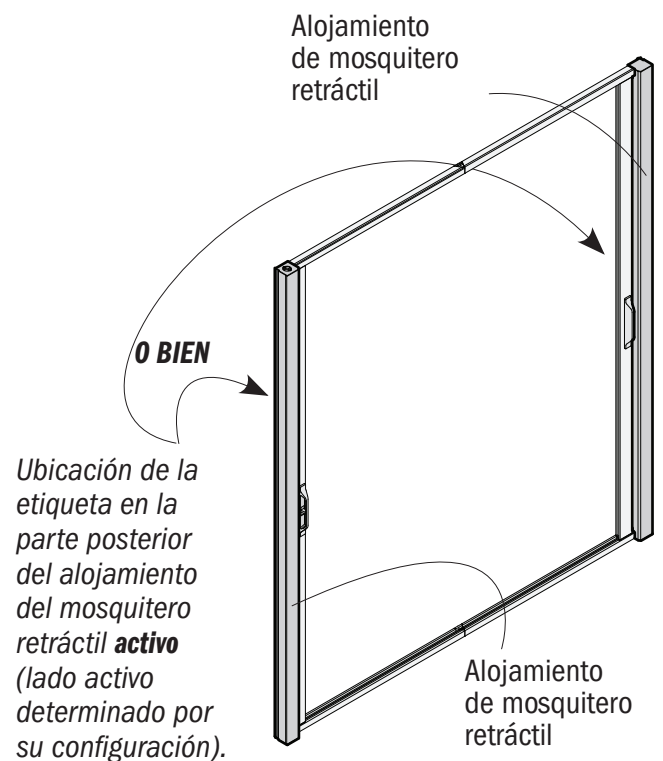
6. ¿La instalación del mosquitero retráctil adecuado (Serie 200/400, Serie A o Serie E) en una puerta corredera para patio Andersen anulará la garantía de mi puerta para patio? No

7. ¿Hay algún vídeo disponible que me muestre cómo instalar y operar el mosquitero retráctil?

Puede encontrar un video de ayuda para estas instrucciones de instalación escaneando este código QR.



Etiqueta de mosquitero retráctil



Garantía limitada

Mosquitero retráctil

para puertas de patio Andersen® y renovación de puertas de entrada Andersen® Ensemble™

OWNER2OWNER
LIMITED WARRANTY

GARANTÍA LIMITADA Y PROCESO DE RESOLUCIÓN DE CONTROVERSIAS

IMPORTANTE: Lea atentamente el Proceso de resolución de controversias que aparece en el presente documento a continuación de la Garantía limitada. El Proceso de resolución de controversias incluye renuncias a un juicio por jurado y demandas colectivas que pueden afectar sus derechos legales. Para solicitar la exclusión voluntaria de estas renuncias, debe visitar nuestro sitio web en www.andersenwindows.com/optout y completar el formulario de exclusión voluntaria dentro del año a partir de la fecha de la adquisición de los productos Andersen® de un distribuidor o vendedor. La exclusión voluntaria solo aplica a los términos del Proceso de resolución de controversias.

Garantía limitada de mosquitero retráctil

Garantía limitada transferible para componentes de mosquiteros retráctiles

Componentes del mosquitero retráctil para puertas de patio Andersen® y puertas de entrada Renewal by Andersen® Ensemble™ (incluido el retenedor del riel principal, el retenedor de la carcasa del pestillo, el adaptador del alféizar, la cubierta del adaptador del alféizar, la carcasa de la pantalla, la carcasa del pestillo, los rieles de la pantalla, la barra de tracción, el conjunto de cerradura, mango y varios subcomponentes) están garantizados contra defectos de fabricación, materiales y mano de obra por un período de diez (10) años a partir de la fecha de compra al minorista/distribuidor. Esta garantía limitada no se aplica al conjunto de malla de la pantalla.

En caso de que un componente del mosquitero retráctil falle como resultado de un defecto de fabricación, materiales o mano de obra dentro del período de garantía limitada, Andersen, a su criterio: (1) proporcionará las piezas de repuesto al minorista/distribuidor de Andersen que usted indique (no se incluye la mano de obra); o (2) suministrará la reparación autorizada por la fábrica del componente existente, sin costo para usted; o (3) reembolsará el precio de compra original. Dichas piezas de reemplazo o reparaciones tienen garantía por el resto del período de la garantía limitada original.

No ofrecemos ninguna otra garantía o representación

LA PRESENTE GARANTÍA LIMITADA REEMPLAZA A TODAS LAS DEMÁS GARANTÍAS, EXPRESAS O IMPLÍCITAS, INCLUIDAS, ENTRE OTRAS, CUALQUIER GARANTÍA IMPLÍCITA DE COMERCIABILIDAD O APTITUD PARA UN PROPÓSITO EN PARTICULAR. TODAS LAS GARANTÍAS ESTÁN LIMITADAS AL RÉGIMEN DE PRESCRIPCIÓN APLICABLE, PERO EN NINGÚN CASO SE EXTENDERÁ MÁS ALLÁ DE LOS PERÍODOS DE LA GARANTÍA LIMITADA QUE SE ESPECIFICARON MÁS ARRIBA. ANDERSEN EXCLUYE Y NO SERÁ RESPONSABLES DE NINGÚN DAÑO INDIRECTO O INCIDENTAL, YA SEA SE DESPRENDAN DEL CONTRATO, SEAN DE RESPONSABILIDAD EXTRA CONTRACTUAL O DE ALGÚN OTRO TIPO. LA SOLUCIÓN DE REPARACIÓN, REEMPLAZO O REEMBOLSO DEL PRECIO REAL DE COMPRA DEL PRODUCTO QUE OFRECE ESTA GARANTÍA LIMITADA ES LA ÚNICA SOLUCIÓN CON RESPECTO A TODOS Y CADA UNO DE LAS LESIONES, LOS DAÑOS O LAS PÉRDIDAS.

Ley aplicable

Esta Garantía limitada solo es válida para los Estados Unidos (para los cincuenta estados y el Distrito de Columbia). Esta Garantía limitada le confiere derechos legales específicos, y usted puede también disponer de otros derechos que varían según cada estado. Algunos estados no permiten la exclusión ni la limitación de los daños incidentales o indirectos, ni la limitación de la duración de una garantía implícita, de manera que las limitaciones o exclusiones anteriores pueden no aplicarse en su caso. Si cualquier término específico de esta Garantía limitada está prohibido por alguna ley aplicable, este será anulado, pero el resto de esta Garantía limitada seguirá vigente.

Lo que esta garantía limitada NO cubre:

Exclusiones adicionales específicas

Además de cualquier otra limitación o exclusión en la presente Garantía limitada, Andersen no tendrá una obligación en caso de falla del producto, daño o costos debidos a las siguientes situaciones o relacionados con ellas:

- Modificaciones del producto o dispositivos de tonalizado de vidrios (por ejemplo: tinte de vidrios, sistemas de seguridad, pintura o tintura incorrectas, cubiertas aislantes, etc.).
- Unidades ensambladas incorrectamente por terceros.
- Falla ocasionadas por la aplicación de hardware que no sea de Andersen (p. ej., cerraduras, manijas, cierrapuertas, etc.).
- Fallas en la instalación correcta de los herrajes de Andersen y/o contramarco exterior.
- Ajustes o correcciones ocasionadas por una instalación incorrecta.
- Instalación o uso inadecuado, incluida la reinstalación de un mosquitero retráctil después de haberla retirado de un edificio y haberla revendido o reinstalado en un edificio diferente.
- Mantenimiento inadecuado, como el uso de lavado de ladrillos, paletas de metal, selladores, lijado o lavado incorrecto.
- Químicos o contaminantes aéreos, como la sal o la lluvia ácida.
- Entrega a cargo de terceros.
- Accidentes.
- Casos de fuerza mayor.
- Uso y desgaste normal.
- Mascotas

Otros elementos que se excluyen de esta garantía limitada:

- Mano de obra para reemplazar el mosquitero retráctil u otros componentes.
- Mano de obra y otros costos relacionados con la extracción y eliminación de un producto defectuoso.
- Mano de obra y materiales para pintar o teñir cualquier producto, componente, contramarco u otro elemento de carpintería reparado o reemplazado que se pueda requerir.
- Productos no fabricados por Andersen.
- Insectos que pasan a través o alrededor del mosquitero retráctil.
- Decoloración o corrosión.
- Otras series de productos, algunos productos y accesorios tienen sus propias garantías limitadas y no están cubiertos por esta garantía limitada. Para obtener más información, visite www.andersenwindows.com/warranty.
- Viajes por mantenimiento para proporcionar instrucciones para el uso del producto.

Cómo debe registrar su garantía limitada Owner-To-Owner®

Andersen ofrece un registro rápido y sencillo de su garantía a través de nuestro sitio Web. Visite www.andersenwindows.com/warranty y envíe su información de garantía en línea. Al registrarse, acelerará cualquier servicio de garantía que pueda desear realizar en el futuro. Además, podrá recibir actualizaciones de información de productos, notificaciones de seguridad y ofertas especiales de nuevos productos, así como también de información acerca de las mejoras realizadas a las puertas y ventanas que usted ha registrado. Toda la información de garantía se tratará de manera confidencial y no se venderá ni comercializará a ninguna persona u organización ajena a Andersen y a la red de distribuidores de Andersen.

**EASY Online
Registration**

Procedimiento de reclamación de garantía

Para realizar una reclamación de acuerdo con esta Garantía limitada, póngase en contacto con el distribuidor o vendedor que le vendió sus productos Andersen®. O bien, puede escribirnos a:

Andersen Windows, Inc./Andersen Service Center
100 Fourth Avenue North
Bayport, MN 55003-1096

También puede comunicarse a través de la sección Piezas y Servicio de nuestra página web en www.andersenwindows.com o llamando al 1-888-888-7020.

Usted puede ayudarnos a asistirlo más rápidamente si brinda la siguiente información:

- Una descripción del producto, incluidos: el color exterior, el tipo y tamaño de la unidad y las medidas del vidrio interior visible.
- Descripción de los problemas del producto.
- Documentación de la fecha de compra, si la tiene.
- Su nombre y dirección (con código postal) donde está instalado el producto y números de teléfono.

Reparación fuera de la garantía

Será responsable de todos los costos relacionados con cualquier reparación que no esté cubierta por esta Garantía limitada o que esté fuera del período de la Garantía limitada. En caso de que la cobertura de la garantía no esté clara, Andersen podrá cobrar un gasto por inspección para cualquier inspección del producto en el lugar donde está instalado. Si el inspector determina que el producto Andersen® tiene un defecto que está cubierto por esta garantía limitada, no se cobrará el gasto por inspección.

Para obtener información específica sobre la garantía fuera de los Estados Unidos, comuníquese con su distribuidor local o escriba a:

Andersen Windows, Inc. / International Division
100 Fourth Avenue North
Bayport, MN 55003-1096

PROCESO DE RESOLUCIÓN DE CONTROVERSIAS

General

Si no está satisfecho con la solución provista en virtud de la Garantía limitada establecida más arriba o tiene otra reclamación contra Andersen relacionada con los productos de Andersen®, usted y Andersen acuerdan resolver la reclamación utilizando el siguiente proceso ("Proceso de resolución de controversias"). Este Proceso de resolución de controversias aplicará a las reclamaciones de cualquier naturaleza relacionadas con el producto Andersen ("Controversia(s)"). Las controversias incluyen, entre otras, reclamaciones por incumplimiento de contrato o incumplimiento de la garantía, reclamaciones por violación de leyes estatales o federales o reglamentaciones, reclamaciones basadas en responsabilidad extracontractual, negligencia o responsabilidad

civil de fabricantes, reclamaciones basadas en fraude o fraude por inducción, reclamaciones de marketing o publicidad y reclamaciones relacionadas con la exigibilidad o vigencia de cualquier término de la Garantía limitada o del Proceso de resolución de controversias, lo que incluye, entre otros, las renuncias de acción colectiva y juicios por jurado.

Notificación obligatoria

Para hacer valer una reclamación, primero debe enviar a Andersen una notificación por escrito. Se encuentra disponible un formulario para el Aviso de disputa en el sitio web de Andersen en www.andersenwindows.com/noticeofdispute.

Respuesta de Andersen

Andersen tendrá 60 días a partir de la recepción de su Notificación de controversia para contestarle por escrito. En esa respuesta o en cualquier momento posterior, Andersen puede proporcionarle una o más ofertas por escrito para resolver su Controversia.

Sin acción colectiva ni juicios por jurado

USTED ACEPTA QUE SOLO PUEDE HACER VALER CONTROVERSIAS CONTRA ANDERSEN DE FORMA INDIVIDUAL, Y NO COMO DEMANDANTE PRINCIPAL O COLECTIVO EN CUALQUIER PROCEDIMIENTO O ACCIÓN COLECTIVA O DE REPRESENTACIÓN. ASIMISMO, COMO PARTE DE ESTE PROCEDIMIENTO DE RESOLUCIÓN DE CONTROVERSIAS, USTED Y ANDERSEN ACUERDAN RENUNCIAR AL DERECHO DE UN JURADO Y QUE TODAS LAS CONTROVERSIAS SERÁN ANALIZADAS Y RESUELTAS SOLAMENTE POR UN JUEZ DE TRIBUNAL FEDERAL O ESTATAL.

Procedimiento de exclusión voluntaria

Puede optar por no participar de este Proceso de resolución de controversias completando y enviándonos una Notificación de exclusión voluntaria por escrito. La Notificación de exclusión voluntaria se encuentra en el sitio web de Andersen en www.andersenwindows.com/optout. Ya sea que opte o no por la exclusión voluntaria del Proceso de resolución de controversias, todos los términos de la Garantía limitada establecidos más arriba permanecerán en vigencia.

Ley aplicable y divisibilidad

Este Proceso de resolución de controversias, que incluye, entre otras, cuestiones relacionadas con su exigibilidad y vigencia, se regirá por las leyes del Estado de Minnesota independientemente de los conflictos de principios jurídicos. Si un término de este Proceso de resolución de disputas resultara inválido o no exigible en una jurisdicción determinada, dicho término no aplicará para ese reclamo dentro de esa jurisdicción. En cambio, ese término se separará, y el resto de los términos seguirán en plena vigencia.

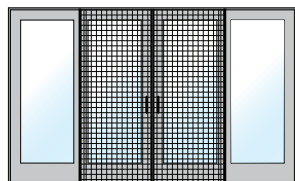
Preguntas

Si tiene preguntas sobre el Proceso de resolución de disputas o sobre el Procedimiento de exclusión voluntaria, contáctenos al 844-332-7972.

"Andersen" y las demás marcas que aparezcan son marcas registradas de Andersen Corporation. ©2023 Andersen Corporation. Todos los derechos reservados.

Instructions d'installation pour la moustiquaire rétractable double :

- **Séries de produits** - Série 200, Série 400, Série A, Série E
- **Type de produit** -Portes-fenêtres coulissantes
- **Fonctionnement à panneaux** - 4 panneaux



Lire ces instructions et l'information sur la sécurité du produit avant de commencer la procédure.

Fixe-Mobile-Mobile-Fixe

IMPORTANT

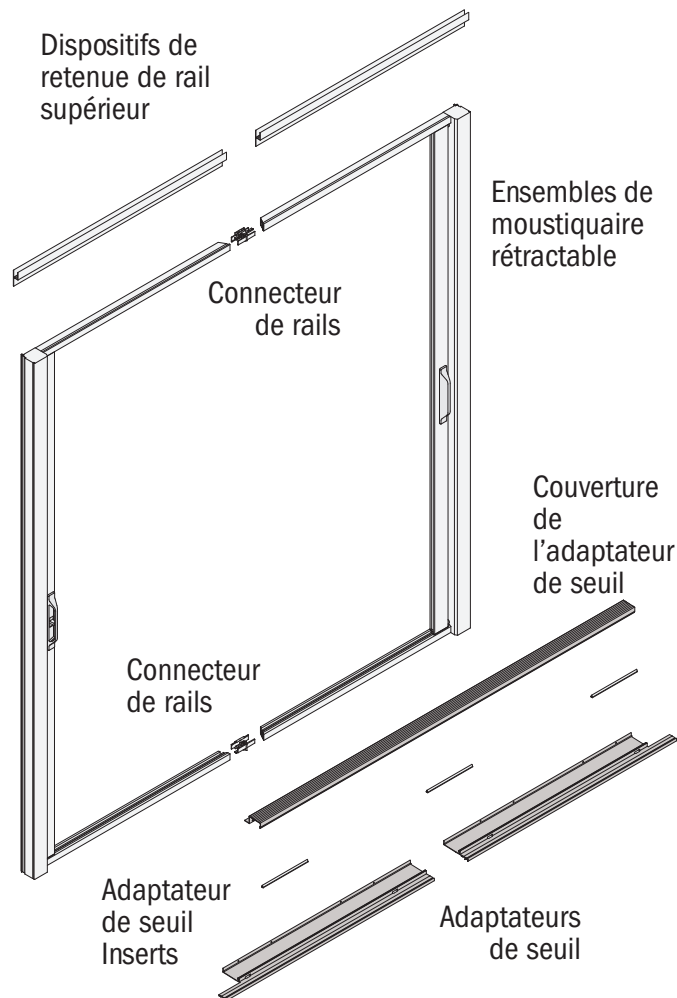
Ne pas retourner pas le produit au magasin!

- Appeler la ligne d'assistance d'Andersen au - **888-888-7020**

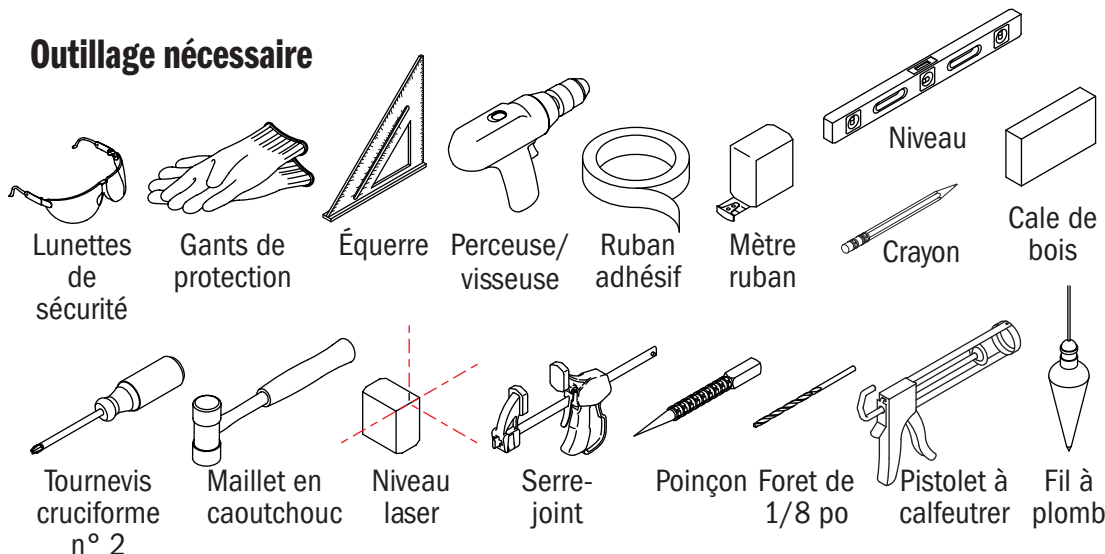
pour toute question concernant l'installation, le remplacement d'une pièce perdue ou toute autre question relative à l'achat de la moustiquaire rétractable.

Pièces fournies :

- Ensemble de moustiquaire rétractable(2)
- Dispositif de retenue du rail supérieur (2)
- Paquet de vis (2)
- Insert d'adaptateur de seuil (3)
- Adaptateur de seuil (2)
- Couverture de l'adaptateur de seuil (séries 200/400, série E uniquement)
- Paquet de doubles de couleurs assorties
- Mastic d'étanchéité transparent
- Instructions d'installation
- Information importante sur le produit et la sécurité
- Garantie



Outillage nécessaire



AVIS

- Suivre les sections codées par couleur de chaque étape correspondant à la série de portes spécifique. Le non-respect de cette instruction peut entraîner des dommages au produit ou à la propriété.

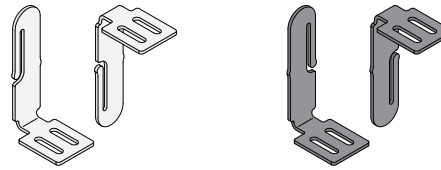

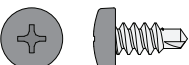



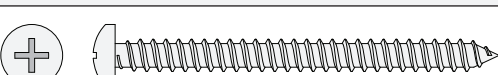
Séries 200/400

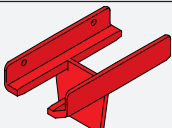
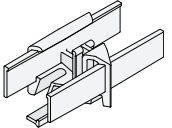



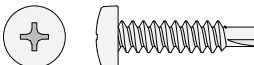
Série A

Série E

IMPORTANT

La moustiquaire rétractable est conçue pour un contrôle raisonnable des insectes et non pour retenir des objets, des personnes ou des animaux de compagnie à l'intérieur. La moustiquaire rétractable n'empêchera pas une personne de tomber à travers la porte.

CONTENU DU PAQUET DE VIS (Quincaillerie présentée en taille réelle)					QUANTITÉ		
Description		Type	Matériau	Finis	Séries 200/400	Série A	Série E
	Supports de montage	Ressort de tension	Acier inoxydable	--	1 paire	1 paire	1 paire
		Ressort de tension	Acier inoxydable	Noir	1 paire	1 paire	1 paire
	Vis à tête cylindrique cruciforme n° 8 x 3/8 po	Auto-perceuse	Acier inoxydable	--	2	2	9
	Vis à tête cylindrique cruciforme n° 8 x 3/8 po	Auto-perceuse	Acier inoxydable	Noir	2	2	2
	Vis à tête cylindrique cruciforme n° 8 x 3/8 po	Auto-taraudeuse	Acier inoxydable	--	3	--	3
	Vis à tête cylindrique cruciforme n° 8 x 3/4 po	Auto-taraudeuse	Acier inoxydable	--	--	3	--
	Vis à tête cylindrique cruciforme n° 8 x 3/4 po	Standard	Acier inoxydable	--	4	--	--
	Vis à tête cylindrique cruciforme n° 8 x 2 po	Standard	Acier inoxydable	--	3	--	--

CONTENU DU PAQUET DE COULEURS ASSORTIES (Quincaillerie présentée en taille réelle)					QUANTITÉ		
Description		Type	Matériau	Finis	Séries 200/400	Série A	Série E
	Aide à l'installation	--	Plastique	Rouge		1	
	Connecteur de rails	--	Zinc moulé	Couleurs assorties		2	
	Bouchon de fente d'ajustement	--	Plastique	Couleurs assorties		2	
	Vis à tête plate cruciforme n° 8 x 3/8 po	Standard	Acier	Zingué		4	
	Vis à tête cylindrique cruciforme n° 8 x 3/8 po	Auto-perceuse	Acier inoxydable	Couleurs assorties		1	
	Vis à tête cylindrique cruciforme n° 8 x 3/4 po	Auto-perceuse	Acier inoxydable	--		1	

Informations importantes sur le produit et la sécurité pour les portes et fenêtres Andersen®



Ce Symbole d'avertissement de sécurité est utilisé pour vous avertir des risques de blessures potentiels. Respectez tous les messages de sécurité suivant ce symbole pour éviter une blessure potentielle ou la mort.

Message d'avertissement et conséquence

Conséquence POTENTIELLE:



Lisez intégralement les Renseignements importants sur le produit et la sécurité des présentes avant de commencer.

Classement des renseignements sur le produit et la sécurité

- | | |
|----------------|--------------------------------|
| ■ Outils | ■ Vitre |
| ■ Manutention | ■ Film de protection |
| ■ Installation | ■ Nettoyage |
| ■ Fermeture | ■ Utilisation/Fonctionnement |
| ■ Fixation | ■ Assemblage |
| ■ Finition | ■ Renseignement sur le produit |

- Fournir la notice d'installation au propriétaire du domicile ou du bâtiment.
- Veuillez vous rendre à andersenwindows.com et visitez notre Centre d'aide pour une assistance ou une aide supplémentaire.
- Pour la configuration des instructions d'installation, consulter le site: andersenwindows.com/installation

Outils

AVERTISSEMENT

- Respectez les instructions du fabricant relatives aux outils manuels et électriques. Portez toujours des lunettes de protection. Le non-respect de cette instruction peut entraîner des blessures, des dommages matériels ou l'endommagement du produit.

Manutention

AVERTISSEMENT

- Les fenêtres et les portes peuvent être lourdes. Utilisez des techniques de levage sécurisées avec un nombre suffisant de personnes dotées de la force nécessaire pour soulever, transporter et installer les portes et les fenêtres. Les fenêtres et les portes de poids considérables nécessitent l'utilisation d'une machine. Le non-respect de cette instruction pourrait entraîner une blessure, des dommages matériels ou l'endommagement du produit.
- **NE soulevez PAS** ni ne portez la fenêtre ou la porte par la garniture extérieure, les montants d'extension, la quincaillerie ou les accessoires. Cela peut entraîner une blessure, des dommages matériels ou l'endommagement du produit.
- Les fenêtres, les portes et les composants d'installation peuvent avoir des arêtes vives. Portez des équipements de protection lors de leur manutention. Le non-respect de cet avertissement pourrait entraîner des blessures.
- **NE PAS** faire traîner, basculer, rouler ni ne pousser les fenêtres, les portes, les châssis ou les panneaux sur le sol pour ne pas endommager le produit ou la propriété.

Installation

AVERTISSEMENT

- Faites attention en cas de tâches en hauteur et à proximité des ouvertures de fenêtre et de porte. Respectez les instructions du fabricant relatives à l'utilisation des échelles et des échafaudages. Le non-respect de ces instructions pourrait entraîner des blessures ou la mort.
- Maintenez en permanence la porte et la fenêtre au niveau des ouvertures jusqu'à ce qu'elles soient fixées. Le non-respect de cette instruction peut entraîner le décrochage de la porte ou de la fenêtre et causer des blessures, des dommages matériels ou l'endommagement du produit.
- Les fenêtres et les portes contiennent des petites pièces (par ex. bouchons, bouchons à cannelure opérateur, pièces de fixation, etc.) Si elles sont avalées, ces petites pièces pourraient présenter un risque d'étouffement pour les jeunes enfants. Éliminer les petites pièces non utilisées, détachées ou pouvant être retirées facilement. Le non-respect de cet avertissement pourrait entraîner des blessures.
- Protégez les surfaces du contact avec les outils. Le non-respect de cette consigne peut entraîner des blessures, endommager le produit ou abîmer la surface.

Installation (suite)

AVIS

- Les bavettes et les brides d'installation d'Andersen **NE** remplacent PAS la bande de solin de la porte ou de la fenêtre ou le solin liquide. La porte et la fenêtre doivent être protégées correctement par un solin et bien isolées avec du mastic compatible aux matériaux pour fournir une protection contre l'infiltration d'eau et de l'air. Le non-respect de cette instruction peut entraîner des dommages matériels ou l'endommagement du produit.
- **NE** fixez PAS directement la fenêtre ou la porte directement sur la bride d'installation. Cela peut affecter la performance du produit et peut entraîner des dommages matériels ou l'endommagement du produit.
- **NE** fixez PAS directement la fenêtre sur la lisse basse. Surélevez la fenêtre avec des cales sous les montants latéraux. Le non-respect de cette instruction peut affecter le bon fonctionnement et la performance du produit et entraîner l'endommagement du produit.
- La porte ou la fenêtre doit être calée correctement. Le non-respect de cette instruction peut affecter le bon fonctionnement et la performance du produit et entraîner l'endommagement du produit.
- Le cadre de la fenêtre ou de la porte et l'ouverture doivent être séparés par un joint le long du contour interne. Le non-respect de cette instruction affectera le bon fonctionnement et la performance du produit et pourrait entraîner l'endommagement du produit.
- Protégez les rebords de la fenêtre ou de la porte pendant l'installation et tout au long de la construction. Le non-respect de cette instruction peut entraîner l'endommagement du produit.
- **NE** retirez PAS le matériel d'emballage de la fenêtre ou de la porte à moins d'en être avisé. Le non-respect de cette instruction pourrait endommager le produit.

Fermeture

ATTENTION

- Respectez les instructions des fabricants de la mousse, du mastic et de la bande de solin concernant la sécurité, l'application du matériel, la compatibilité et l'entretien périodique pour conserver une résistance continue de leurs produits face aux intempéries. Le non-respect de cette instruction peut entraîner des blessures, des dommages matériels ou l'endommagement du produit.

AVIS

- Nettoyez et préparez les surfaces d'application du mastic selon les instructions du fabricant. Le non-respect de cette instruction peut entraîner l'infiltration d'eau et causer des dommages matériels ou l'endommagement du produit.
- **NE** PAS utiliser de nettoyeurs abrasifs ou de solvants pour nettoyer le matériau Fibrex® afin de ne pas endommager le produit. Se rendre sur andersenwindows.com pour une liste des nettoyeurs recommandés.

Fixation

AVERTISSEMENT

- Les fixations et composants métalliques peuvent rouiller par le contact avec du bois traité contre aux agents de préservation ou avec un agent ignifuge. Utilisez des fixations et composants approuvés pour fixer la fenêtre ou la porte. Le non-respect de cette instruction peut entraîner des dysfonctionnements et causer des blessures, des dommages matériels ou l'endommagement du produit.
- Les fixations doivent être attachées à un élément d'ossature avec une profondeur d'encastrement minimale de 3,8 cm (1,5 po). Le non-respect de cette instruction peut entraîner des blessures, des dommages matériels ou l'endommagement du produit.
- **NE** retirez PAS les vis de fixation des attaches d'installation ou des plaques-goussets sur les cadres de fenêtre ou de la porte. Cela peut entraîner des blessures, des dommages matériels ou l'endommagement du produit.

AVIS

- Utilisez des vis de maçonnerie en cas de fixation directe sur une pièce de maçonnerie ou par un prédormant dans la maçonnerie. Le non-respect de cette instruction peut affecter la performance du produit et peut entraîner des dommages matériels ou l'endommagement du produit.
- **N'**enfoncez PAS profondément les vis ou les clous. Le non-respect de cette instruction pourrait endommager le produit.
- Les fixations doivent être attachées à une pièce d'ossature. Le non-respect de cette instruction réduira la performance structurelle par rapport aux valeurs publiées et pourrait affecter la performance du produit et entraîner des dommages matériels ou l'endommagement du produit.

Finition

AVIS

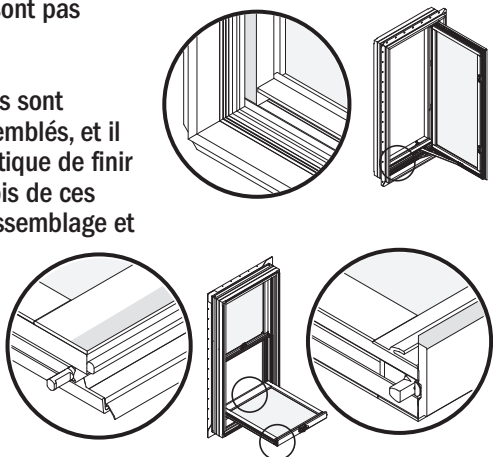
- **NE** teintez ou **NE** peignez PAS le bourrelet, le vinyle, la vitre ou le matériel. Le non-respect de cette instruction pourrait endommager le produit.
- Lisez et respectez les instructions du fabricant et les informations sur la sécurité. Le non-respect de cette instruction peut entraîner l'endommagement du produit.
- **NE** surchargez PAS le pinceau de teinture ou de peinture lors de la finition. Cela peut entraîner l'absorption de la finition entre la parclose ou la grille et la vitre.

Finition (suite)

AVIS

• Réaliser la finition des surfaces de bois immédiatement après leur installation. Le bois non fini peut rapidement se détériorer, se décolorer, se déformer et se fendre. Certaines surfaces ne sont pas visibles.

• Certains produits sont expédiés non assemblés, et il peut être plus pratique de finir les surfaces en bois de ces produits avant l'assemblage et l'installation.



Vitre

⚠ AVERTISSEMENT

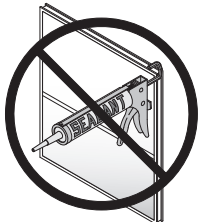
• À moins d'une commande spéciale, les fenêtres Andersen ne sont pas équipées de vitre de sécurité et peuvent se casser en cas de fissure, ce qui peut entraîner des blessures. De nombreuses lois et codes du bâtiment exigent la présence de vitres de sécurité dans les emplacements attenants ou à proximité des portes. Les fenêtres Andersen sont disponibles avec des vitres de sécurité pouvant réduire les risques de blessure en cas de rupture. Les informations relatives aux vitres de sécurité sont disponibles auprès de votre revendeur local Andersen.

• Les vitres de sécurité trempées ou laminées ne sont pas des vitres standards pour les fenêtres et doivent être commandées spécialement. Consultez les codes de bâtiment locaux pour obtenir les emplacements obligatoires. Le non-respect de cette instruction peut entraîner des blessures, des dommages matériels ou l'endommagement du produit.

AVIS

• N'appliquez en AUCUN CAS un film pour isoler la vitre. Cela peut entraîner des conditions de contrainte thermique et causer l'endommagement de la vitre. Les dispositifs d'ombrage (par exemple, les revêtements isolants, les volets, etc.) peuvent également entraîner une contrainte thermique et une condensation, ce qui provoque la détérioration des fenêtres ou des portes.

• N'utilisez PAS de mastic sur la surface interne ou externe de la vitre.



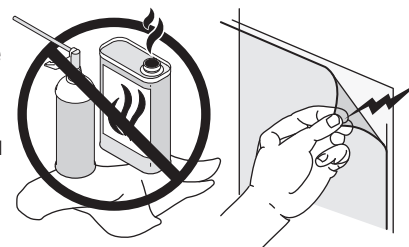
Film de protection

⚠ AVERTISSEMENT

• **NE PAS** placer de ventouses sur les joints du film sur le verre. Les ventouses ne tiendront pas si elles sont placées sur le joint du film pour soulever ou déplacer une fenêtre ou une porte. La fenêtre ou la porte tombera et pourrait entraîner des blessures, des dommages aux produits ou à la propriété.



• **NE retirer AUCUN** film protecteur à proximité de matériaux inflammables. La charge statique générée lors du retrait du film peut enflammer les matériaux inflammables ou entraîner un choc.



Cela peut entraîner des blessures, des dommages matériels ou l'endommagement du produit. **Consultez l'étiquette d'avertissement de la vitre.**

• Jetez le film de protection immédiatement après son retrait. Le non-respect de cette instruction peut présenter un risque d'étouffement pour les enfants.

AVIS

• **NE PAS** retirer le film protecteur des vitres tant que la construction n'est pas terminée. Cela pourrait endommager les vitres.

• Retirer le film de protection des composants qui ne sont pas en verre immédiatement après l'installation. Le non-respect de cette consigne peut entraîner des dommages au produit.

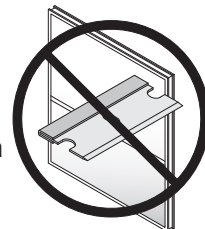
Nettoyage

AVIS

• Les solutions acides utilisées pour nettoyer la maçonnerie ou le béton endommageront tous les composants des fenêtres ou des portes. Protéger la fenêtre ou la porte et suivre les instructions du fabricant du produit de nettoyage. Si de l'acide entre en contact avec la fenêtre ou la porte, laver immédiatement toutes les surfaces avec de l'eau propre.

• **NE PAS** utiliser et ne pas appliquer de solvants, d'abrasifs, de produits chimiques agressifs ou de nettoyeurs sur les éléments des fenêtres ou des portes pour ne pas endommager le produit. Se rendre sur andersenwindows.com pour une liste des nettoyeurs recommandés

• N'utilisez PAS de lames de rasoir métalliques pour nettoyer la surface de la vitre. Cela peut provoquer l'endommagement de la vitre.



Utilisation/Fonctionnement

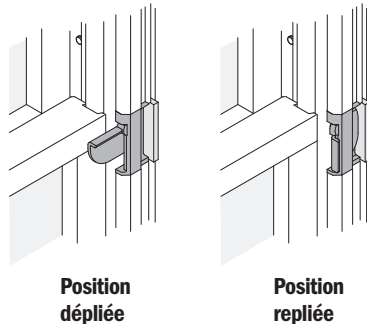
AVERTISSEMENT

- **NE** restez **PAS** devant ou à proximité des fenêtres ou des portes pendant une tempête. Cela peut entraîner des blessures. Les accessoires comme les grilles, la verrerie d'art et les moustiquaires peuvent se détacher et être emportés par le vent si la fenêtre ou la porte est touchée par des débris emportés par le vent lors de fortes tempêtes ou de rafales puissantes de vent. En cas de tempête, retirez tous les accessoires des fenêtres ou des portes et abritez-vous dans un endroit sécurisé.

- N'installez **PAS** de climatiseur sur la fenêtre. Cela peut entraîner des blessures, des dommages matériels ou l'endommagement du produit.



- Il est indispensable de déplier les supports de charge due au vent si la fenêtre n'est pas inclinée ni nettoyée. Autrement, la fenêtre pourrait s'envoler et entraîner des blessures ou endommager le produit.



ATTENTION

- N'attachez **PAS** d'objets ou d'accessoires sur la fenêtre ou la porte, à l'exception des produits Andersen® spécialement conçus pour la fenêtre ou la porte. Cela peut entraîner des blessures, des dommages matériels ou l'endommagement du produit.

Assemblage

AVERTISSEMENT

- N'assemblez **PAS** une fenêtre ou porte, horizontalement ou verticalement, à une fenêtre ou porte non conçue pour un assemblage. Cela peut entraîner des blessures, des dommages matériels ou l'endommagement du produit.

- Les fenêtres ou portes assemblées doivent être respectivement maintenues au niveau de l'ouverture. Le non-respect de cette instruction peut affecter le bon fonctionnement et la performance du produit et entraîner des dommages matériels ou l'endommagement du produit.

Informations générales et informations sur le produit

IMPORTANT

- Les bâtiments construits avant 1978 peuvent contenir des peintures au plomb qui risquent d'être affectées pendant le remplacement des portes ou des fenêtres. Pour en savoir plus sur le traitement adéquat des peintures au plomb, consultez le site: www.epa.gov/lead

- Les instructions peuvent ne pas être adaptées à toutes les installations à cause de la conception du bâtiment, des matériaux de construction, des méthodes utilisées ou des conditions du bâtiment ou du chantier. Contactez un entrepreneur ou un architecte pour obtenir des recommandations.

- Il se peut que les brides d'installation doivent être retirées pour certaines installations (par exemple, maçonnerie, remplacement) ou si une finition extérieure est déjà appliquée (par exemple, revêtement, placage en brique, stuc).

- Les brides d'installation des portes ou des fenêtres ne suffisent pas à étanchéifier et à isoler les fenêtres ou les portes.

- **NE** retirez **PAS** la bande, les attaches en plastique ou d'emballage des fenêtres ou des portes avant d'y être invité.

- **NE** retirez pas l'étiquette de performances (NFRC) avant la réalisation de l'inspection finale. Cela peut entraîner le report de l'inspection finale et de la validation du représentant de l'agence de normalisation.

- Consultez votre représentant local de l'agence de normalisation de bâtiment pour identifier et confirmer la conformité aux exigences des codes de bâtiment locales.

- Contactez les autorités locales ou une entreprise de traitement des déchets pour obtenir des instructions adaptées relatives au recyclage et à la mise au rebut des fenêtres et portes retirées.

- Pour les instructions de nettoyage des composants des fenêtres et des portes, se rendre sur: andersenwindows.com.

- Pendant la construction, protéger les produits contre les débris de chantier, les produits chimiques agressifs comme ceux de lavage des briques, le ruissellement du toit et le ciment ou la maçonnerie qui peuvent endommager les portes et fenêtres.

- Les fenêtres et portes ne sont toutes pas munies d'un film de protection. Le film de protection ne remplace pas le masquage.

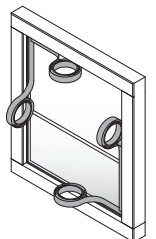
- Retirer le film de protection des vitres dans les six (6) mois suivant l'installation et quand la température est supérieure à 0 °C.

- Retirer le film de protection en le décollant à partir de la jointure ou du coin. Utiliser un grattoir en plastique pour démarrer si nécessaire.

- Des montants d'extension peuvent être appliqués en usine sur certaines fenêtres ou installés sur le chantier avant l'installation. **NE PAS** appliquer de montants d'extension avant l'installation d'une fenêtre ou d'une porte qui sera fixée à l'aide de clips de pose. Cela pourrait empêcher l'accès aux clips de pose pour la fixation.

- Lire les instructions fournies avec la ou les pièces pour l'application des montants d'extension ou se rendre sur: andersenwindows.com

- Utiliser du ruban-cache de peintre pour protéger les produits pendant la construction. Éviter d'utiliser du ruban adhésif en toile ou d'emballage.



1

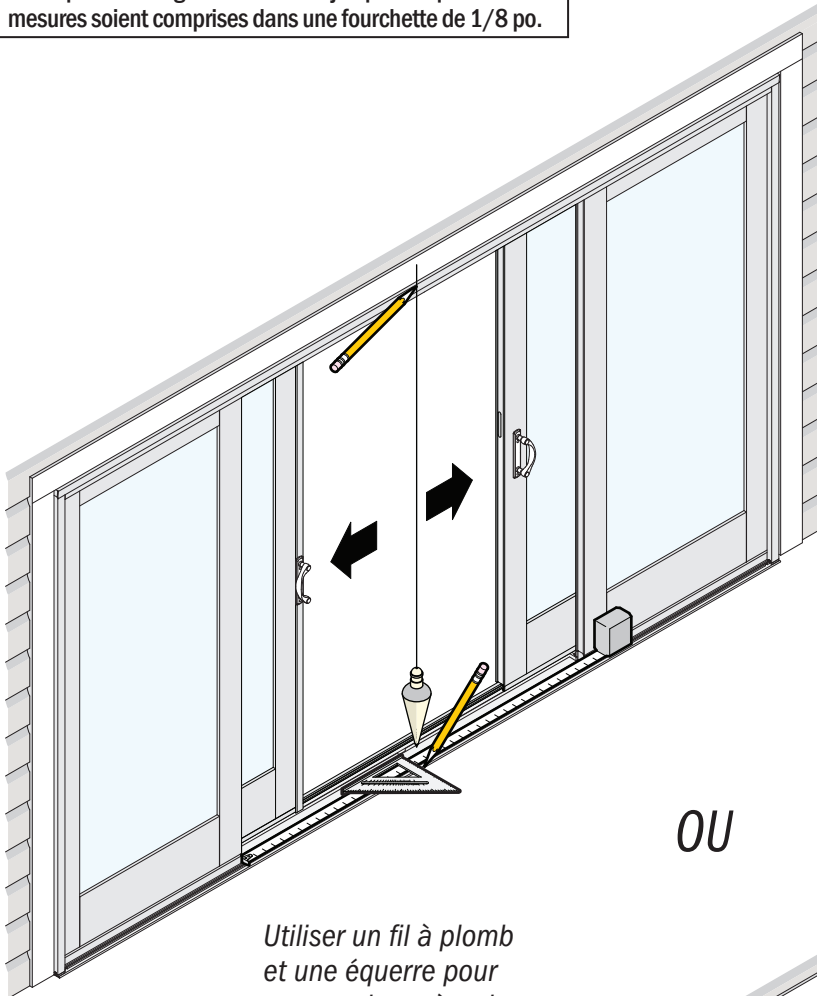
IMPORTANT

· Vérifier que la porte-fenêtre est d'aplomb, de niveau et d'équerre. Corriger si nécessaire jusqu'à ce que les mesures soient comprises dans une fourchette de 1/8 po.

Séries 200/400

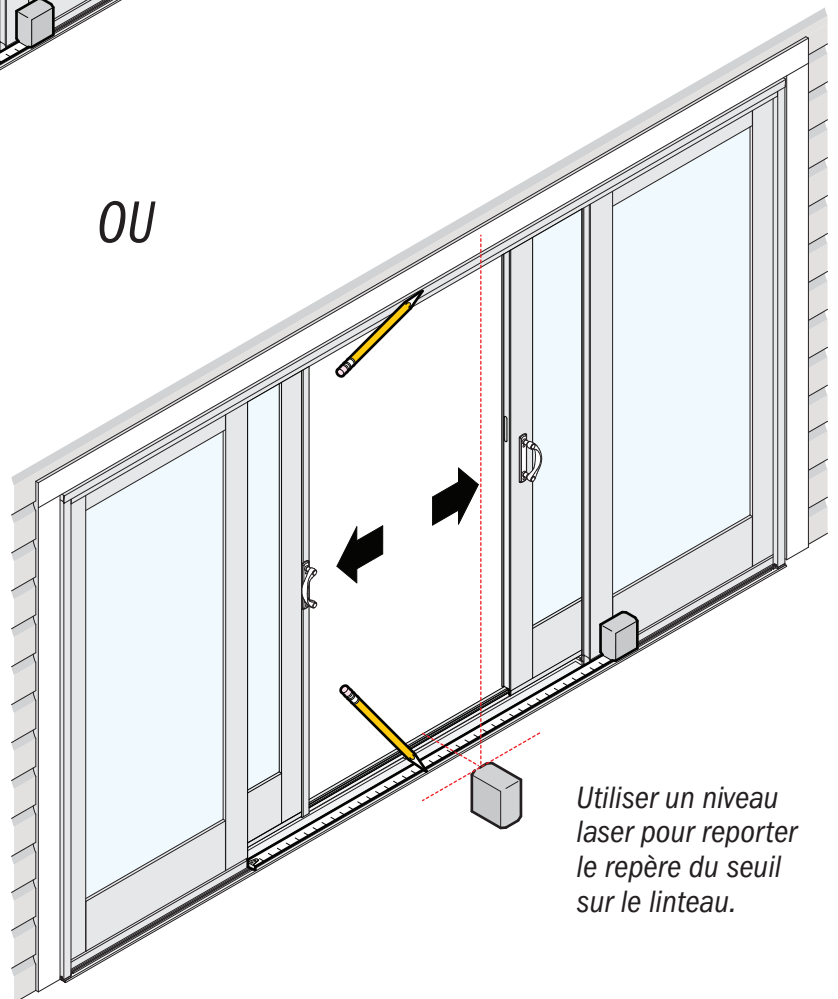
Série A

Série E



OU

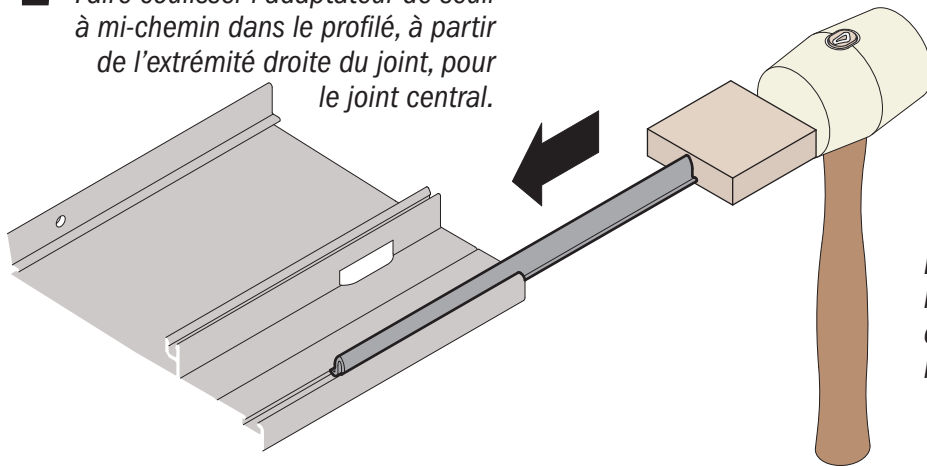
Utiliser un fil à plomb et une équerre pour reporter le repère du seuil sur le linteau.



Utiliser un niveau laser pour reporter le repère du seuil sur le linteau.

Ouvrir les deux battants de la porte-fenêtre. Mesurer et marquer le point médian sur le rebord du seuil entre les panneaux fixes. Reporter le repère du seuil sur le linteau à l'aide d'un fil à plomb ou d'un niveau laser.

2 Faire coulisser l'adaptateur de seuil à mi-chemin dans le profilé, à partir de l'extrémité droite du joint, pour le joint central.

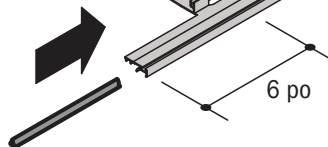


Faire coulisser l'adaptateur de seuil dans le profilé à 6 po de l'extrémité extérieure.



1^{re}

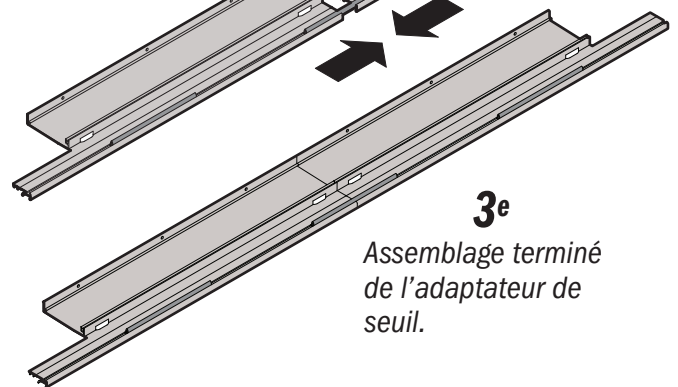
Faire coulisser l'adaptateur de seuil dans le profilé à 6 po de l'extrémité extérieure.



Faire coulisser les sections de l'adaptateur de seuil ensemble.

Joint intermédiaire

2^e



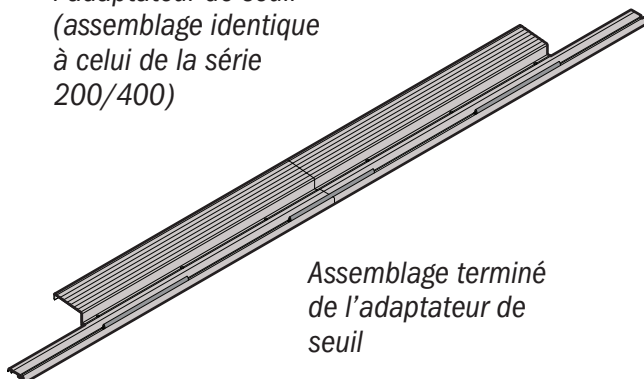
3^e

Assemblage terminé de l'adaptateur de seuil.

Faire coulisser les inserts de l'adaptateur de seuil dans le profilé et positionner les sections de l'adaptateur de seuil ensemble, comme illustré. À l'aide d'un maillet en caoutchouc et d'une cale, frapper l'insert de l'adaptateur de seuil dans le profilé, si nécessaire.

Série A

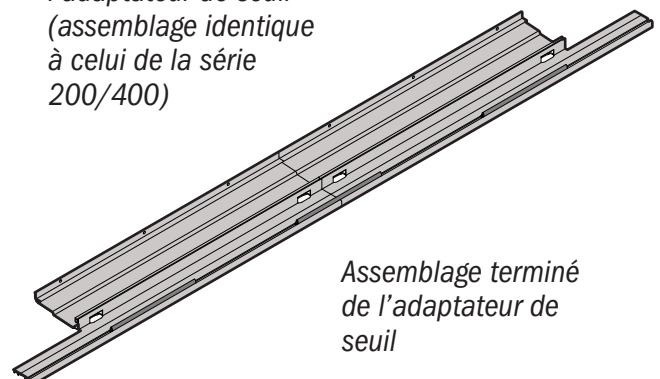
Assemblage terminé de l'adaptateur de seuil (assemblage identique à celui de la série 200/400)



Assemblage terminé de l'adaptateur de seuil

Série E

Assemblage terminé de l'adaptateur de seuil (assemblage identique à celui de la série 200/400)





Assemblage terminé de l'adaptateur de seuil

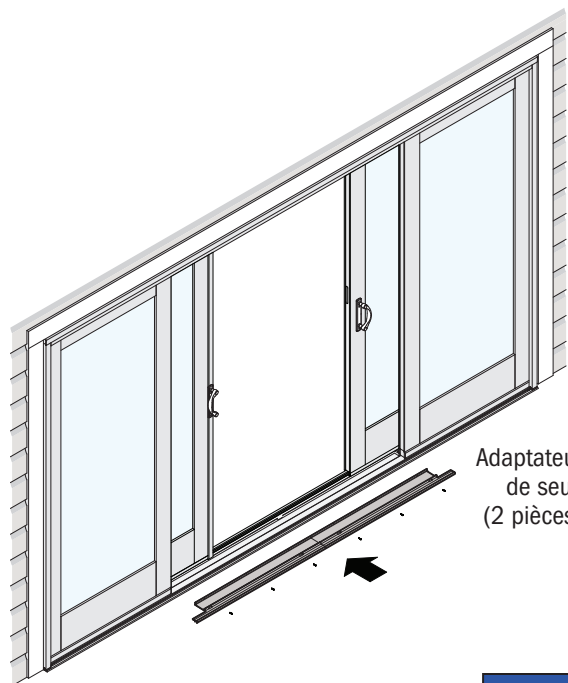
Faire coulisser les inserts de l'adaptateur de seuil dans le profilé et positionner les sections de l'adaptateur de seuil ensemble, comme illustré. À l'aide d'un maillet en caoutchouc et d'une cale, frapper l'insert de l'adaptateur de seuil dans le profilé, si nécessaire.

3

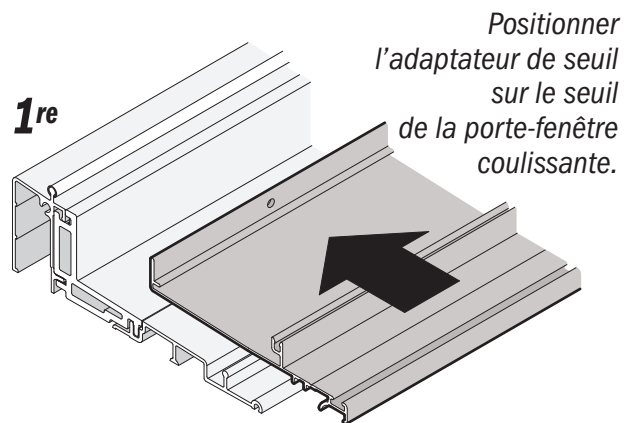
Séries 200/400

Vis auto-taraudeuse  
en acier inoxydable n° 8 x 3/8 po

AVIS
• Protéger les surfaces du contact avec les outils. Le non-respect de cette consigne risque d'endommager la surface ou le produit.



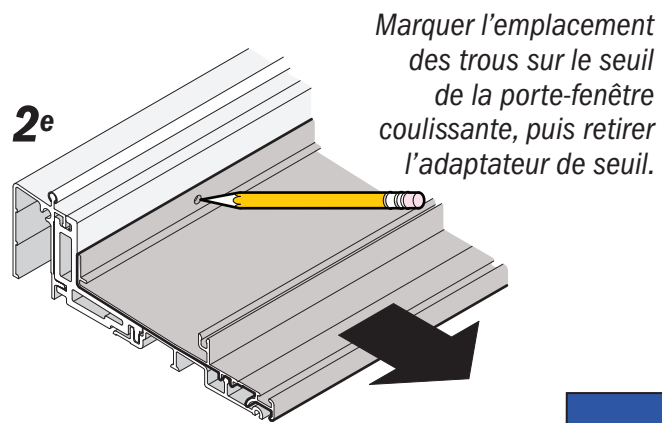
Adaptateur de seuil (2 pièces)



1^{re}

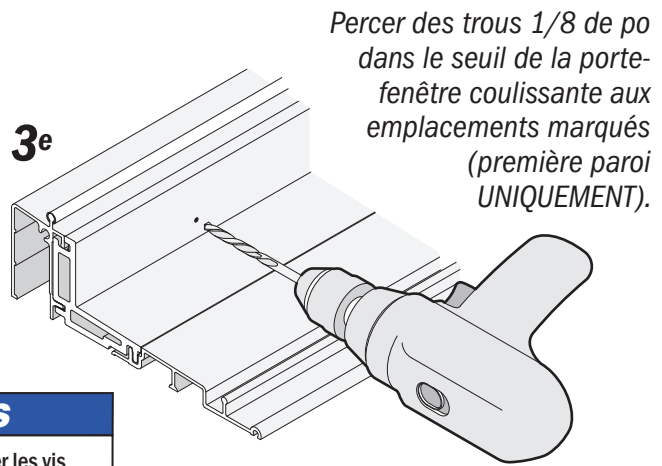
Positionner l'adaptateur de seuil sur le seuil de la porte-fenêtre coulissante.

AVIS
• Ne percer que la première paroi du composant, généralement d'environ 1/8 po. Le non-respect de cette instruction peut entraîner des dommages au produit ou à la propriété.



2^e

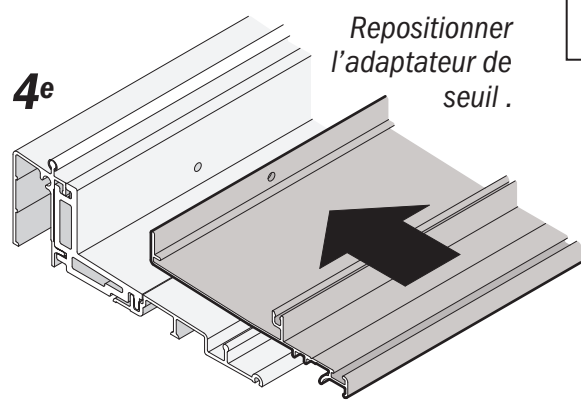
Marquer l'emplacement des trous sur le seuil de la porte-fenêtre coulissante, puis retirer l'adaptateur de seuil.



3^e

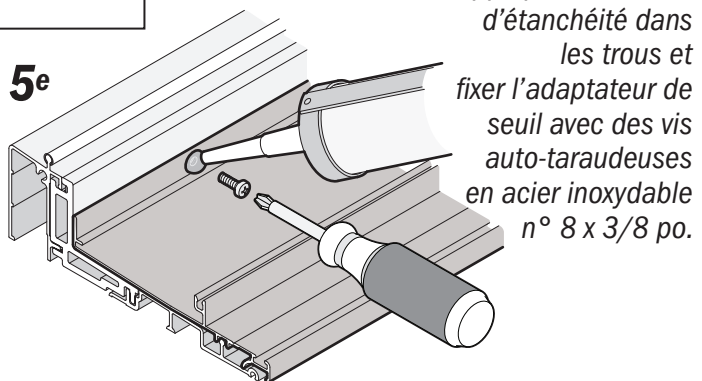
Percer des trous 1/8 de po dans le seuil de la porte-fenêtre coulissante aux emplacements marqués (première paroi **UNIQUEMENT**).

AVIS
• **NE PAS** trop serrer les vis. afin de ne pas endommager le produit.



4^e

Repositionner l'adaptateur de seuil.



5^e

Appliquer du mastic d'étanchéité dans les trous et fixer l'adaptateur de seuil avec des vis auto-taraudeuses en acier inoxydable n° 8 x 3/8 po.

Centrer l'adaptateur de seuil sur le seuil de la porte-fenêtre, en l'alignant sur le repère du milieu. Marquer l'emplacement des trous, percer des trous de 1/8 po dans la première paroi du seuil **UNIQUEMENT**, éliminer les débris, repositionner l'adaptateur de seuil, appliquer du mastic d'étanchéité dans les trous et fixer avec des vis auto-taraudeuses en acier inoxydable n° 8 x 3/8 po. **NE PAS** trop serrer les vis.

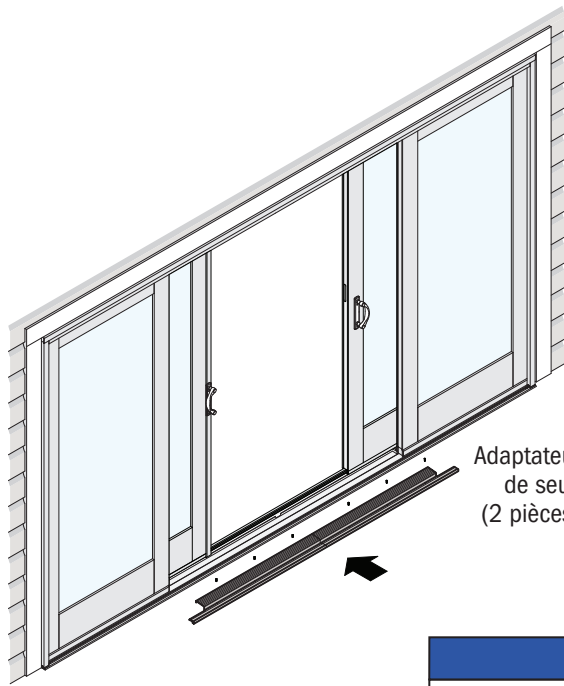
3 (suite)

Série A

Vis auto-taraudeuse en acier inoxydable n° 8 x 3/4

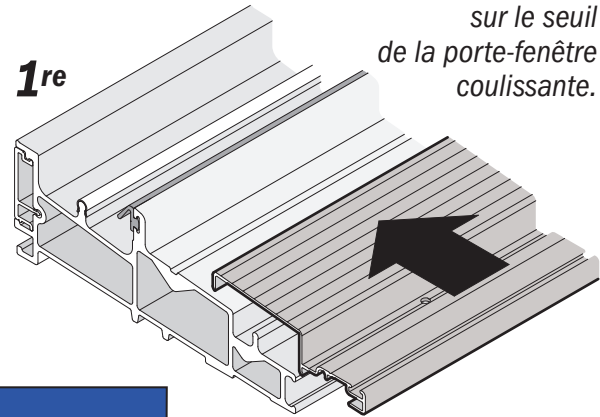
AVIS

• Protéger les surfaces du contact avec les outils. Le non-respect de cette consigne risque d'endommager la surface ou le produit.



Positionner l'adaptateur de seuil sur le seuil de la porte-fenêtre coulissante.

1^{re}

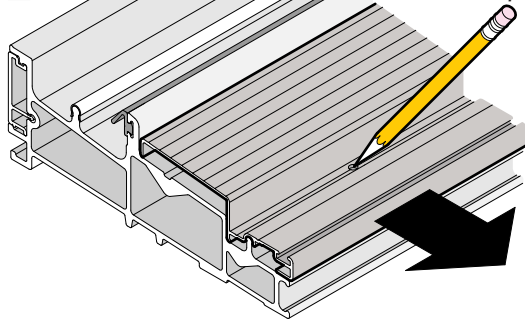


AVIS

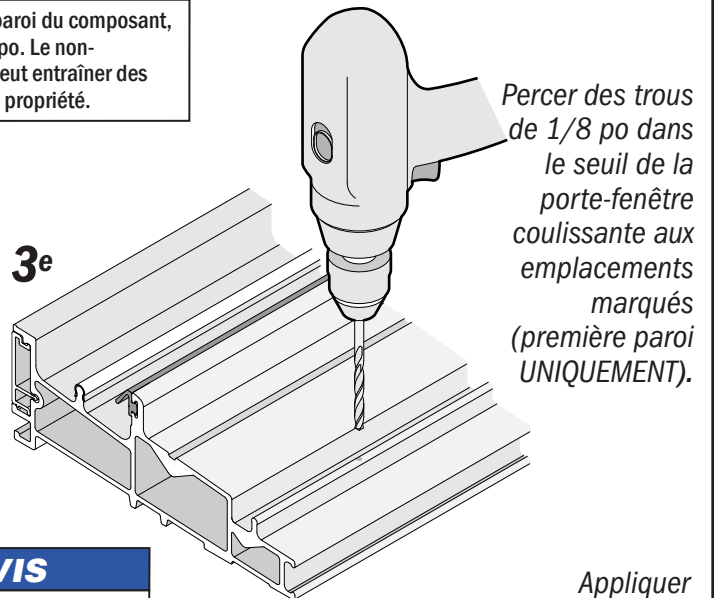
• Ne percer que la première paroi du composant, généralement d'environ 1/8 po. Le non-respect de cette instruction peut entraîner des dommages au produit ou à la propriété.

Marquer l'emplacement des trous sur le seuil de la porte-fenêtre coulissante, puis retirer l'adaptateur de seuil.

2^e



3^e

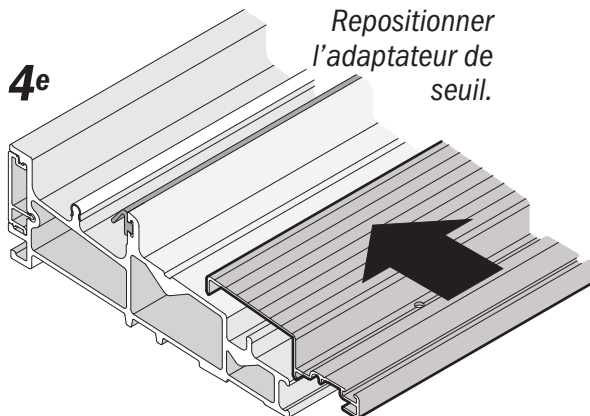


AVIS

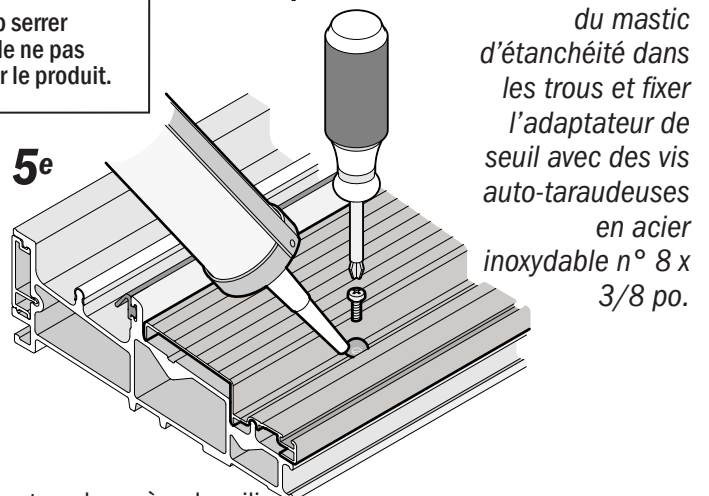
• **NE PAS** trop serrer les vis, afin de ne pas endommager le produit.

Repositionner l'adaptateur de seuil.

4^e



5^e



Centrer l'adaptateur de seuil sur le seuil de la porte-fenêtre, en l'alignant sur le repère du milieu. Marquer l'emplacement des trous, percer des trous de 1/8 po dans la première paroi du seuil **UNIQUEMENT**, éliminer les débris, repositionner l'adaptateur de seuil, appliquer du mastic d'étanchéité dans les trous et fixer avec des vis auto-taraudeuses en acier inoxydable n° 8 x 3/4 po. **NE PAS** trop serrer les vis.

3 (suite)

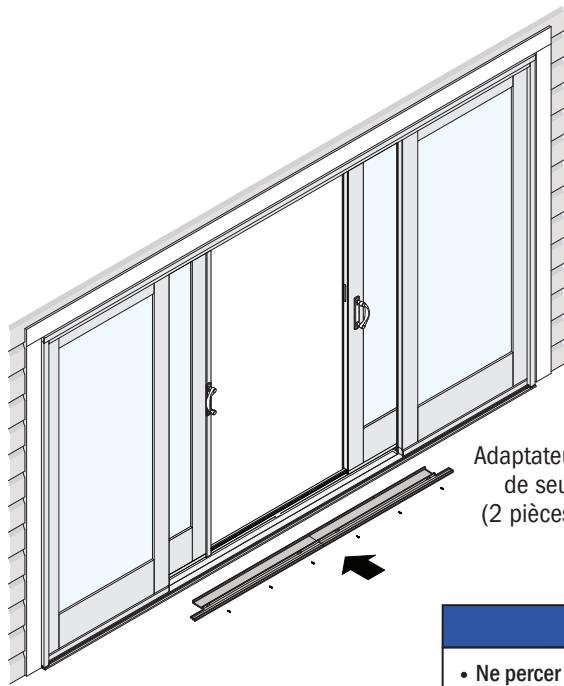
Série E

Vis auto-taraudeuse en acier inoxydable n° 8 x 3/8 po



AVIS

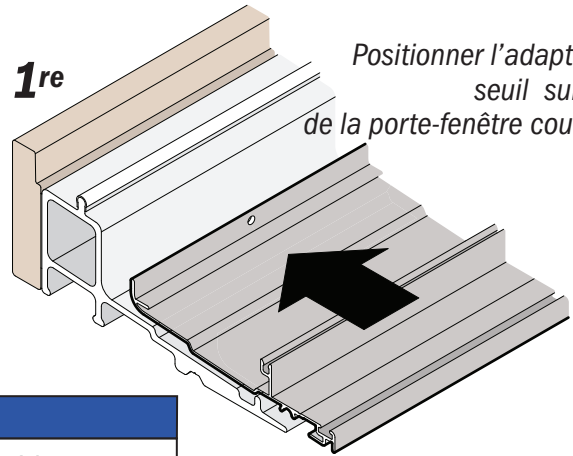
• Protéger les surfaces de contact avec les outils. Le non-respect de cette consigne risque d'endommager la surface ou le produit.



Adaptateur de seuil (2 pièces)

1^{re}

Positionner l'adaptateur de seuil sur le seuil de la porte-fenêtre coulissante.

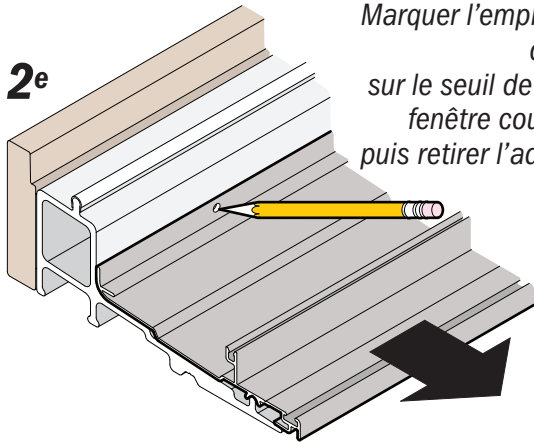


AVIS

• Ne percer que la première paroi du composant, généralement d'environ 1/8 po. Le non-respect de cette instruction peut entraîner des dommages au produit ou à la propriété.

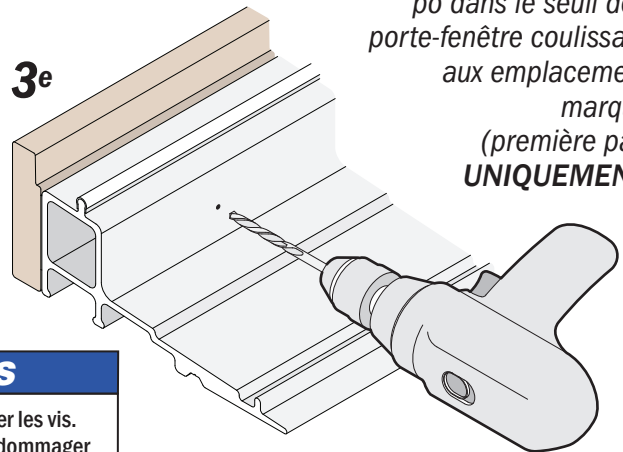
2^e

Marquer l'emplacement des trous sur le seuil de la porte-fenêtre coulissante, puis retirer l'adaptateur de seuil.



3^e

Percer des trous 1/8 de po dans le seuil de la porte-fenêtre coulissante aux emplacements marqués (première paroi **UNIQUEMENT**).

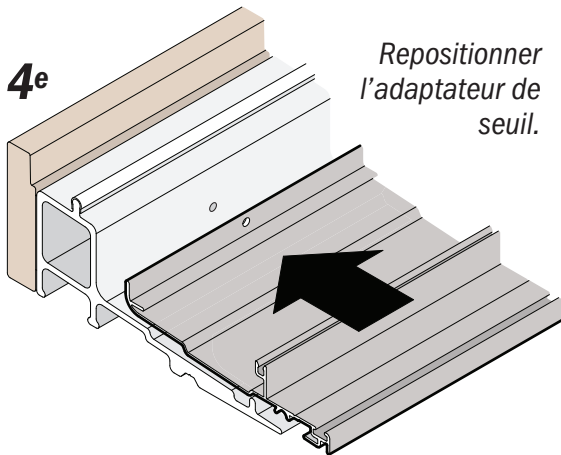


AVIS

• **NE PAS** trop serrer les vis, afin de ne pas endommager le produit.

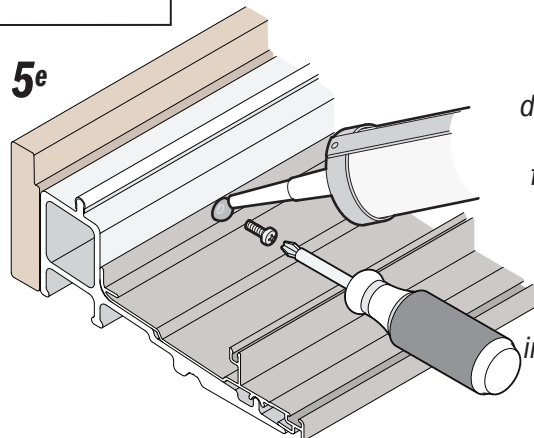
4^e

Repositionner l'adaptateur de seuil.



5^e

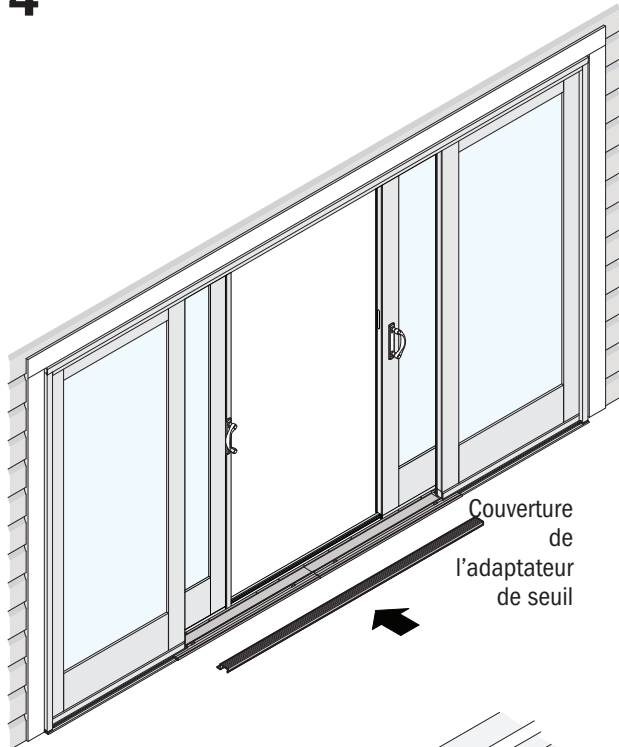
Appliquer du mastic d'étanchéité dans les trous et fixer l'adaptateur de seuil avec des vis auto-taraudeuses en acier inoxydable n° 8 x 3/8 po.



Centrer l'adaptateur de seuil sur le seuil de la porte-fenêtre, en l'alignant sur le repère du milieu. Marquer l'emplacement des trous, percer des trous de 1/8 po dans la première paroi du seuil **UNIQUEMENT**, éliminer les débris, repositionner l'adaptateur de seuil, appliquer du mastic d'étanchéité dans les trous et fixer avec des vis auto-taraudeuses en acier inoxydable n° 8 x 3/8 po. **NE PAS** trop serrer les vis.

4

Séries 200/400



Introduire la patte de la couverture de l'adaptateur de seuil dans la zone d'emboîtement.

Zone d'emboîtement

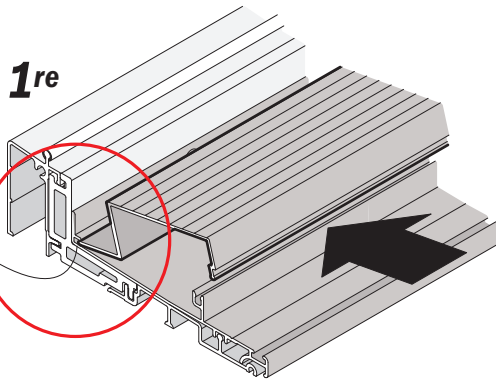
Patte de la couverture de l'adaptateur de seuil

Emboîter la couverture de l'adaptateur de seuil en place.

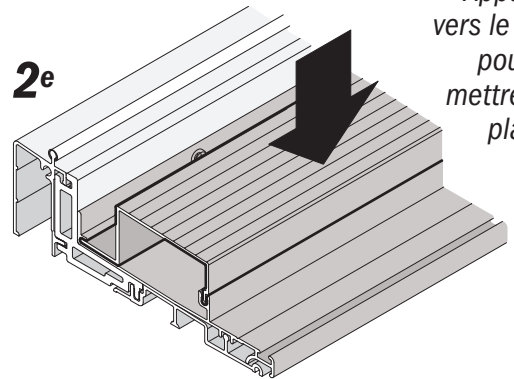
Appuyer vers le bas pour la mettre en place.

Introduire la patte de la couverture de l'adaptateur de seuil dans la zone d'emboîtement.

1^{re}



2^e



Centrer les couvertures de l'adaptateur de seuil sur l'ensemble d'adaptateur de seuil et les emboîter en place.

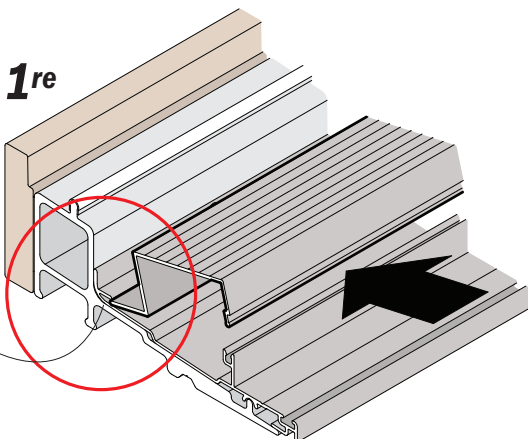
Série A

(Cette étape n'est pas nécessaire)

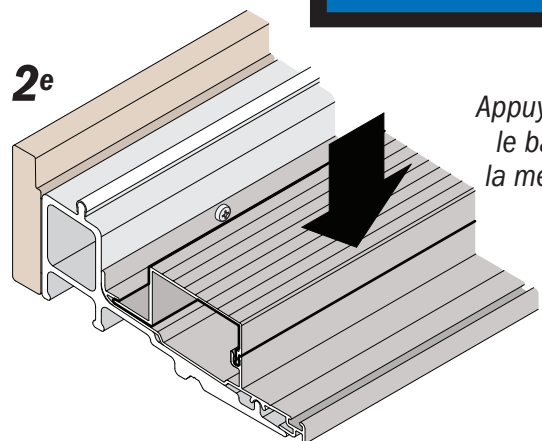
Série E

Introduire la patte de la couverture de l'adaptateur de seuil dans la zone d'emboîtement.

1^{re}



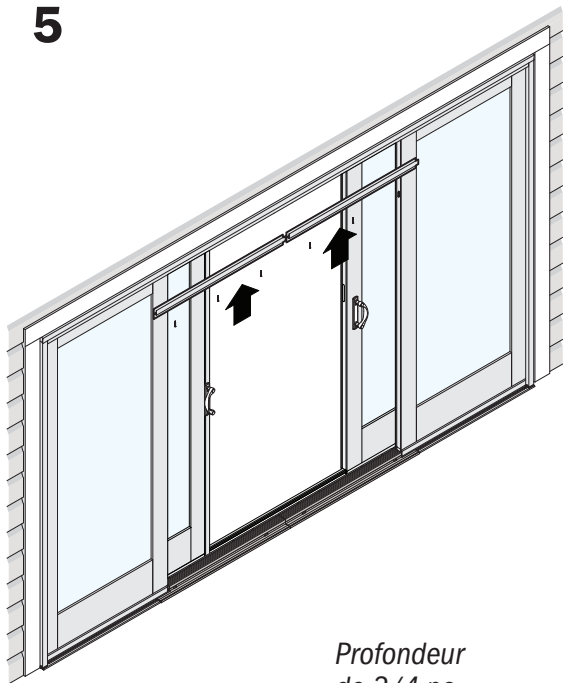
2^e



Appuyer vers le bas pour la mettre en place.

Centrer les couvertures de l'adaptateur de seuil sur l'ensemble d'adaptateur de seuil et les emboîter en place.

5



Dispositif de retenue du rail de moustiquaire existant
1^{re}

Séries 200/400



Vis en acier inoxydable n° 8 x 2 po

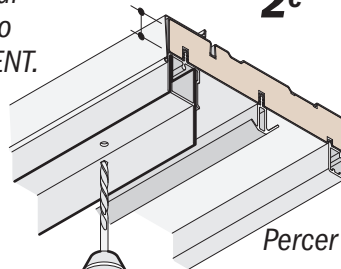
AVIS

- Protéger les surfaces du contact avec les outils. Le non-respect de cette consigne risque d'endommager la surface ou le produit.

Positionner le dispositif de retenue du rail supérieur.

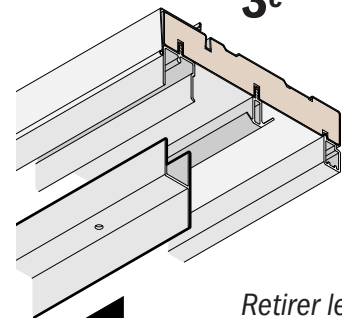
Profondeur de 3/4 po SEULEMENT.

2^e



Percer des trous de 1/8 po, profonds de 3/4 po, en utilisant le dispositif de retenue du rail supérieur comme guide.

3^e

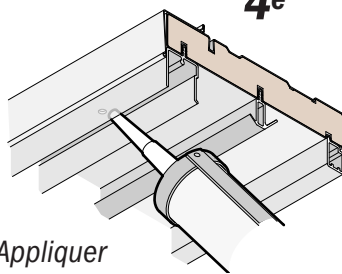


Retirer le dispositif de retenue du rail supérieur.

AVIS

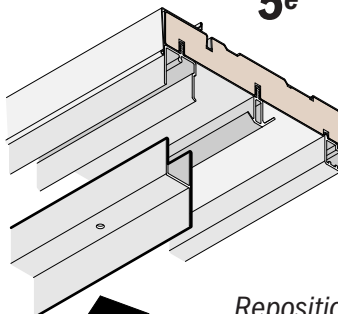
- NE PAS percer à une profondeur supérieure à 3/4 po dans le linteau. Cela endommagerait le produit.

4^e



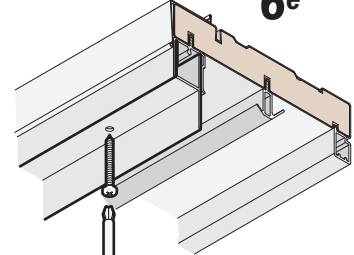
Appliquer du mastic d'étanchéité dans les trous.

5^e



Repositionner le dispositif de retenue du rail supérieur.

6^e



Fixer les dispositifs de retenue du rail supérieur avec des vis en acier inoxydable n° 8 x 2 po.

Positionner les deux moitiés du dispositif de retenue du rail supérieur ensemble, en alignant chaque moitié sur le repère du milieu du rail de moustiquaire existant. Percer des trous de 1/8 po, profonds de 3/4 po, dans le linteau. Retirer les dispositifs de retenue du rail supérieur, enlever les débris, appliquer du mastic d'étanchéité dans les trous, repositionner les dispositifs de retenue du rail supérieur et les fixer à l'aide de vis en acier inoxydable n° 8 x 2 po.

5 (suite)

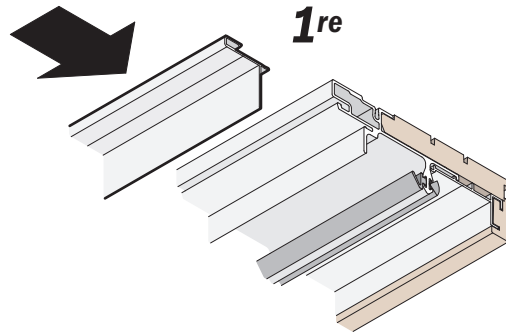
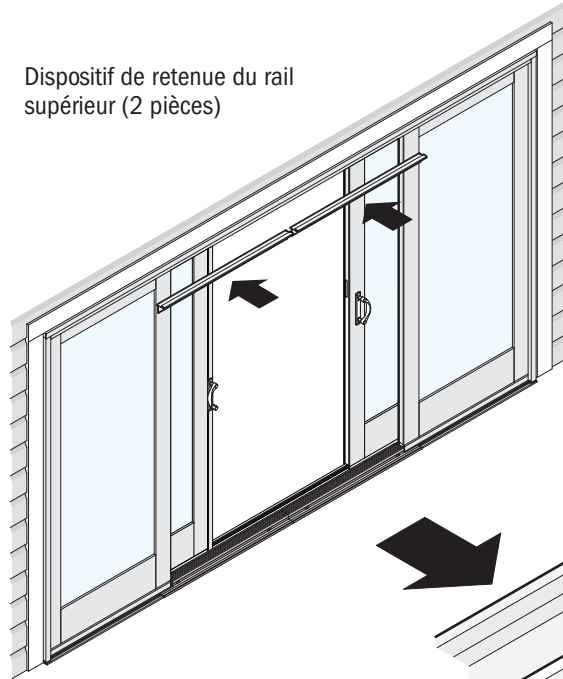
Série A

Aucune fixation n'est nécessaire.

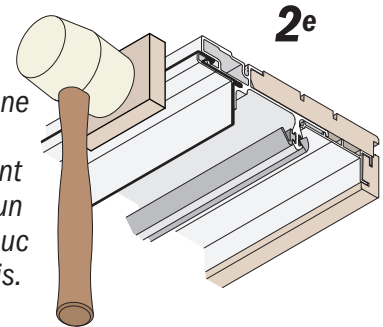
AVIS

- Protéger les surfaces du contact avec les outils. Le non-respect de cette consigne risque d'endommager la surface ou le produit.

Dispositif de retenue du rail supérieur (2 pièces)



Emboîter dans la zone d'emboîtement et mettre complètement en place à l'aide d'un maillet en caoutchouc et d'une cale en bois.



Positionner les moitiés du dispositif de retenue du rail supérieur ensemble, en alignant chaque moitié sur le repère du milieu et en l'emboîtant dans la gorge à l'aide d'un maillet en caoutchouc et d'une cale en bois.

Cet espace a été intentionnellement laissé vierge.

5 (suite)

Dispositif de retenue du rail supérieur (2 pièces)



Vue de l'intérieur

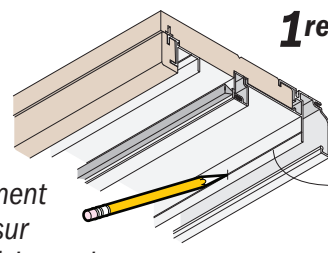
1^{re}

Série E

n° 8 x 3/8 po
Vis auto-perceuse

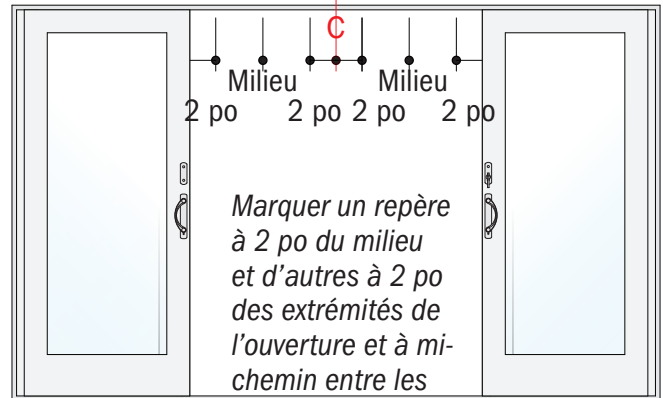


Marquer l'emplacement des trous sur la face intérieure de la rainure du rail du linteau.



Rainure

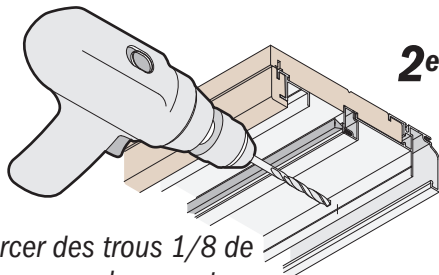
Repère du milieu



Marquer un repère à 2 po du milieu et d'autres à 2 po des extrémités de l'ouverture et à mi-chemin entre les deux repères.

AVIS

- Protéger les surfaces de contact avec les outils. Le non-respect de cette consigne risque d'endommager la surface ou le produit.

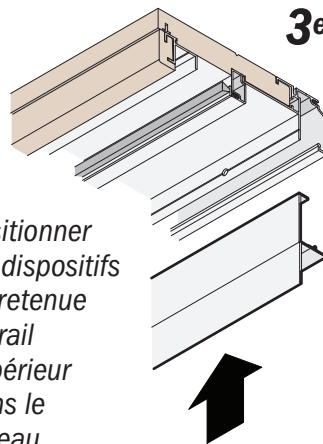


2^e

Percer des trous 1/8 de po aux emplacements marqués dans la rainure du rail supérieur.

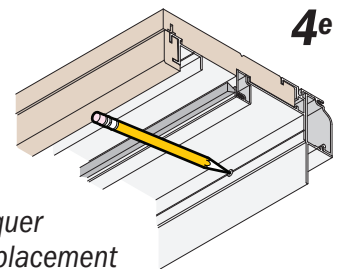
AVIS

- Ne percer que la première paroi du composant, généralement d'environ 1/8 po. Le non-respect de cette instruction peut entraîner des dommages au produit ou à la propriété.



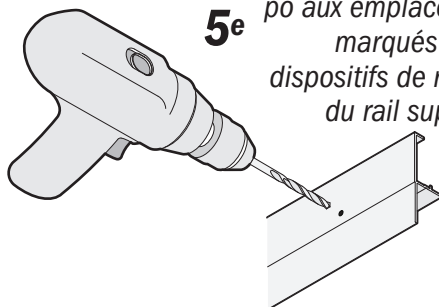
3^e

Positionner les dispositifs de retenue du rail supérieur dans le linteau.



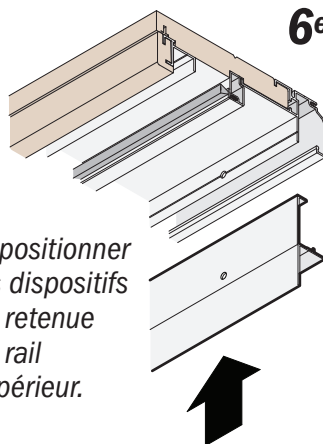
4^e

Marquer l'emplacement des trous des dispositifs de retenue de rail supérieur.



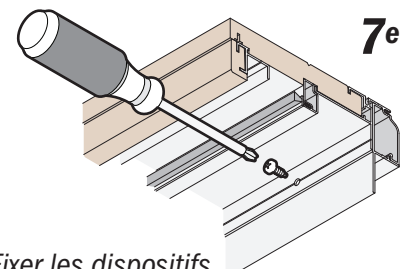
5^e

Percer des trous 1/8 de po aux emplacements marqués sur les dispositifs de retenue du rail supérieur.



6^e

Repositionner les dispositifs de retenue de rail supérieur.



7^e

Fixer les dispositifs de retenue du rail supérieur avec des vis auto-perceuses n° 8 x 3/8 po.

Ouvrir complètement les battants de la porte-fenêtre. Mesurer et marquer l'emplacement des trous à 2 po du milieu et des extrémités de l'ouverture dans le linteau et à mi-chemin entre les repères. Percer des trous de 1/8 po aux emplacements marqués. Placer les deux moitiés du dispositif de retenue du rail supérieur ensemble, en alignant les sections sur le repère du milieu, et marquer l'emplacement des trous en se servant des trous prépercés comme guide. Percer des trous de 1/8 po aux emplacements marqués, nettoyer les débris et fixer avec des vis auto-perceuses n° 8 x 3/8 po.

6

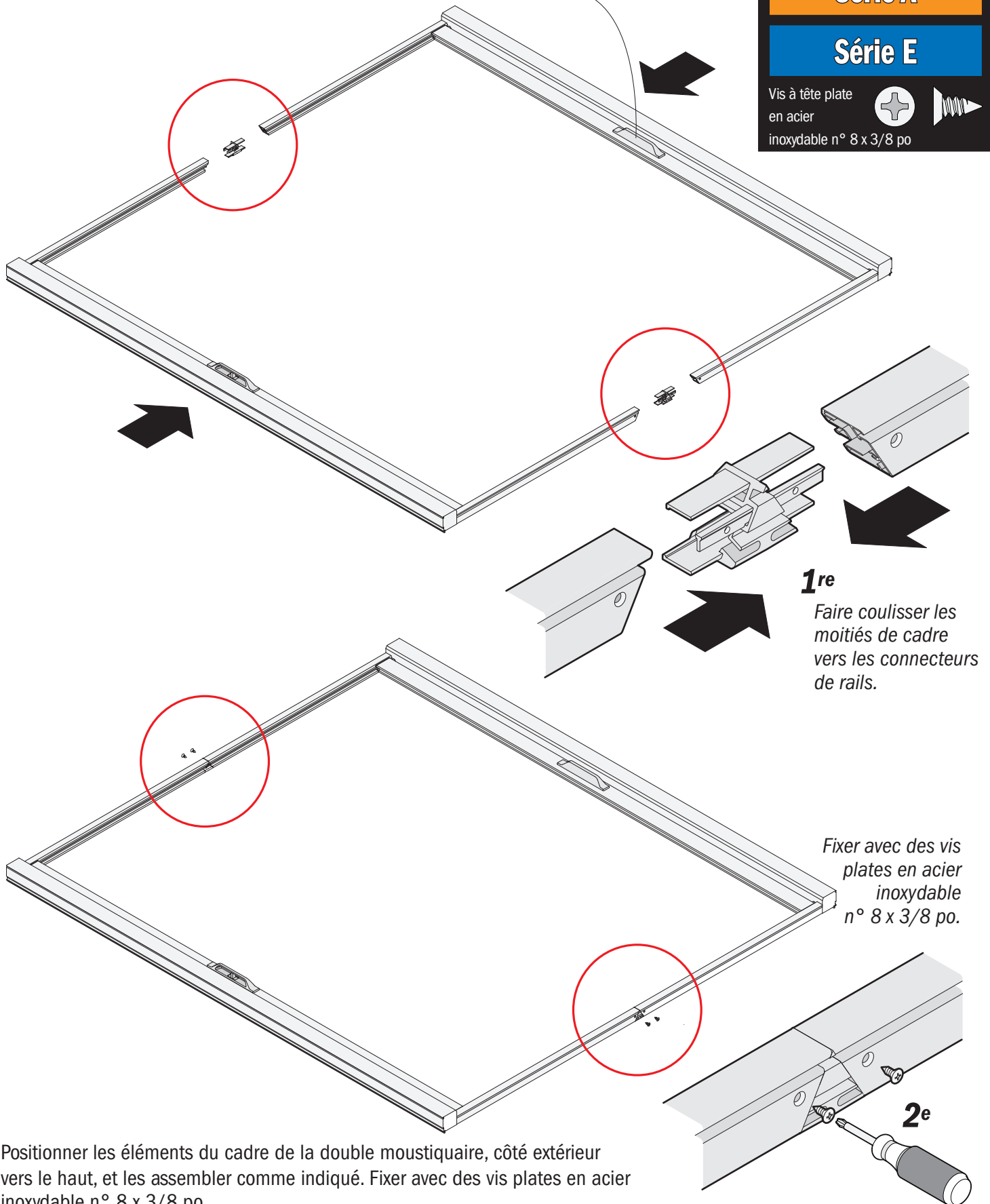
La poignée surélevée se trouve à l'extérieur.

Séries 200/400

Série A

Série E

Vis à tête plate en acier inoxydable n° 8 x 3/8 po



1^{re}
Faire coulisser les moitiés de cadre vers les connecteurs de rails.

Fixer avec des vis plates en acier inoxydable n° 8 x 3/8 po.

2^e

Positionner les éléments du cadre de la double moustiquaire, côté extérieur vers le haut, et les assembler comme indiqué. Fixer avec des vis plates en acier inoxydable n° 8 x 3/8 po.

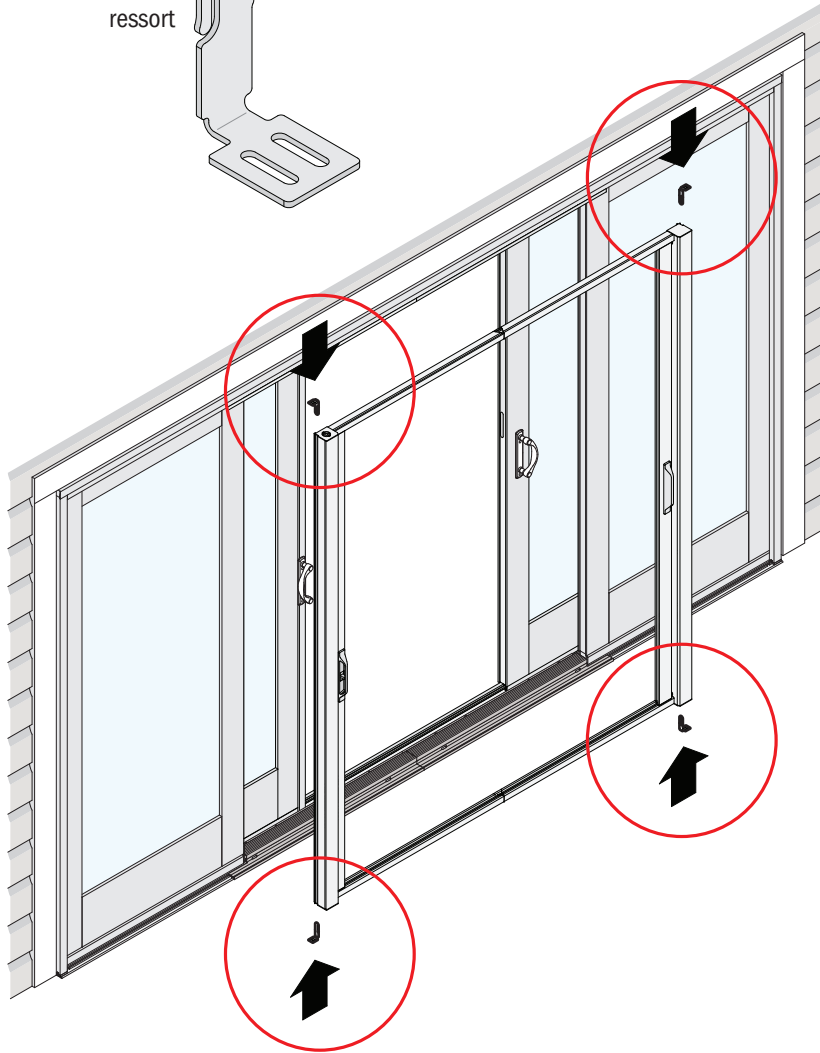
7

Séries 200/400

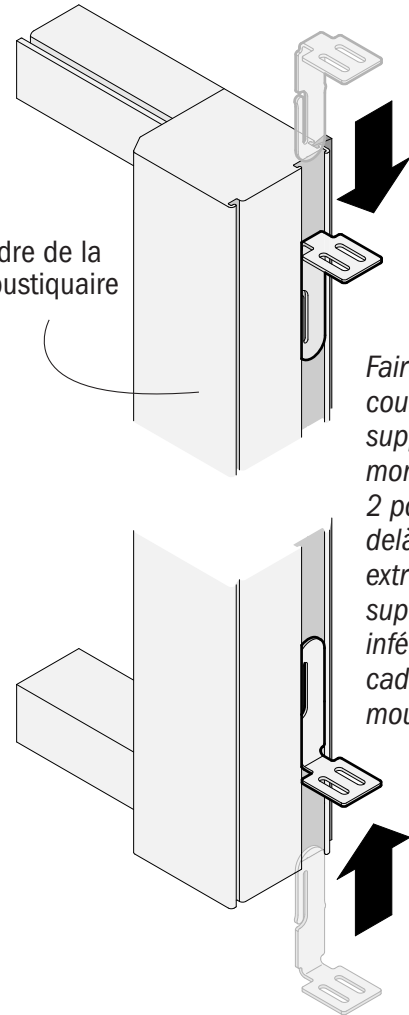
Série A

Série E

Patte à ressort



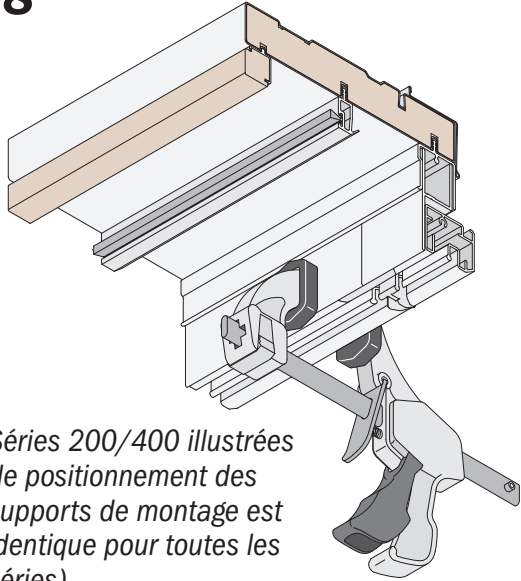
Cadre de la moustiquaire



Faire coulisser les supports de montage à 2 po au-delà des extrémités supérieure et inférieure du cadre de la moustiquaire.

Sélectionner la couleur du support de montage (noir ou acier inoxydable). Faire glisser les supports de montage dans le haut et le bas du cadre de la moustiquaire, avec la patte à ressort vers l'extérieur.

8



Séries 200/400 illustrées
(le positionnement des supports de montage est identique pour toutes les séries).

AVIS

- S'assurer que les supports de montage sont positionnés au-delà des extrémités supérieures et inférieures de la cartouche de la moustiquaire avant de faire pivoter l'ensemble dans le cadre. Le non-respect de cette consigne pourrait endommager le produit.

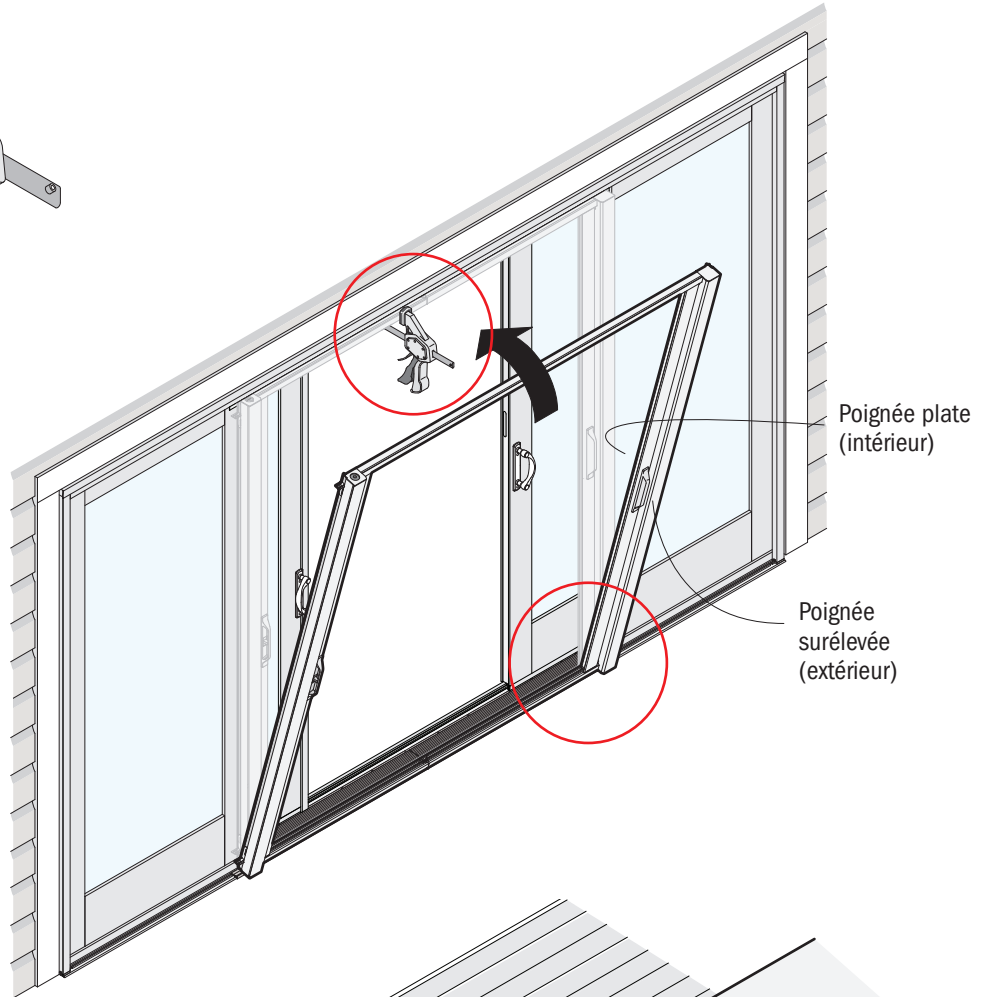
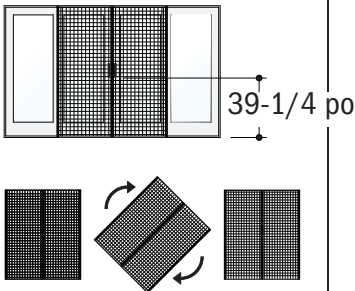
Séries 200/400

Série A

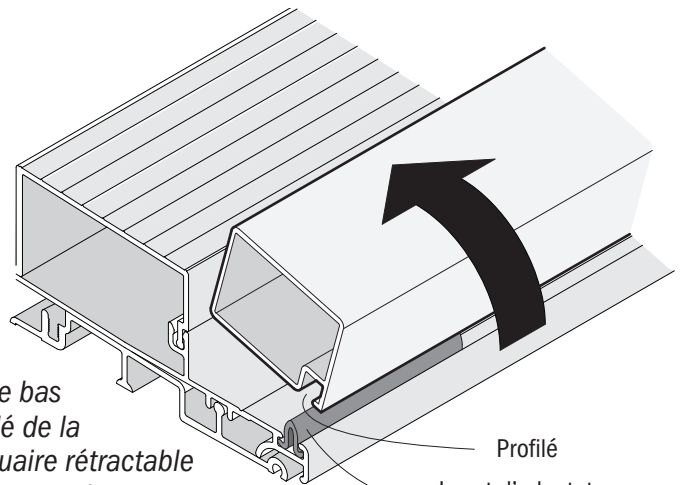
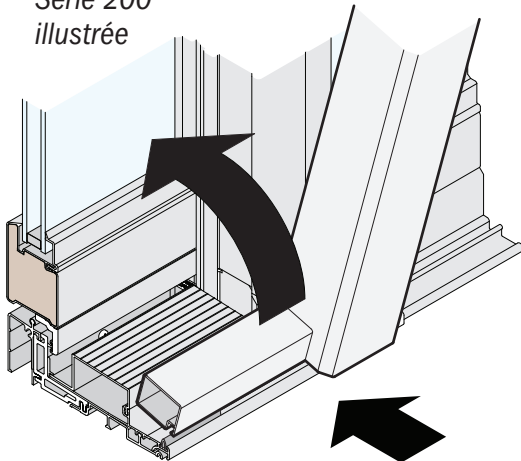
Série E

IMPORTANT

- La distance entre le bas du rail de la moustiquaire rétractable et le bas de la poignée est de 39-1/4 po. Faire tourner la moustiquaire de 180° pour corriger l'orientation si nécessaire.



Série 200
illustrée

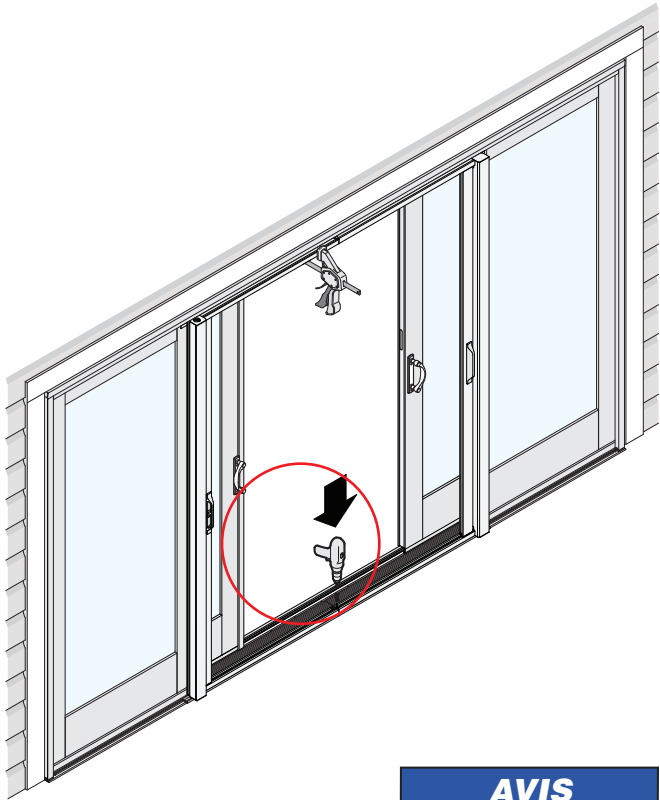


Aligner le bas du profilé de la moustiquaire rétractable sur les inserts de l'adaptateur de seuil.

Profilé
Insert d'adaptateur de seuil

Centrer la moustiquaire rétractable sur l'adaptateur de seuil, en alignant les inserts de ce dernier sur le profilé de la partie inférieure de la moustiquaire rétractable, puis la faire pivoter en position. Serrer la partie supérieure pour la maintenir en place jusqu'à ce qu'elle soit fixée.

9



Séries 200/400

Série A

Série E



Vis auto-perceuse n° 8 x 3/4 po en acier inoxydable

AVIS

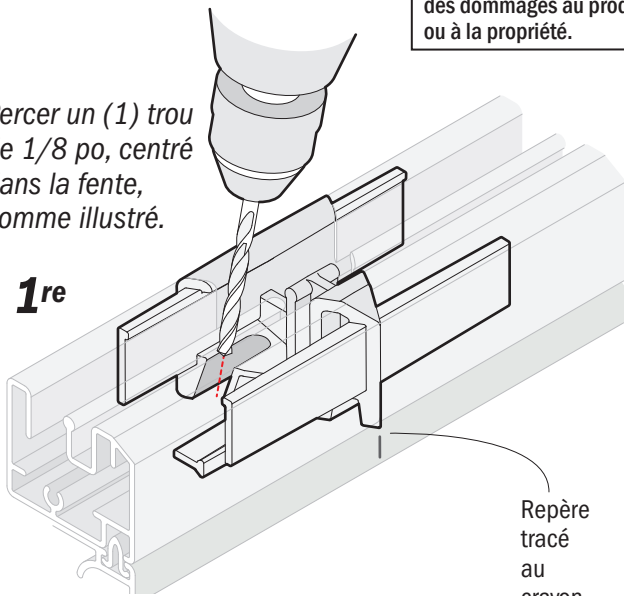
- Protéger les surfaces de contact avec les outils. Le non-respect de cette consigne risque d'endommager la surface ou le produit.

AVIS

- Ne percer que la première paroi du composant, généralement d'environ 1/8 po. Le non-respect de cette instruction peut entraîner des dommages au produit ou à la propriété.

Percer un (1) trou de 1/8 po, centré dans la fente, comme illustré.

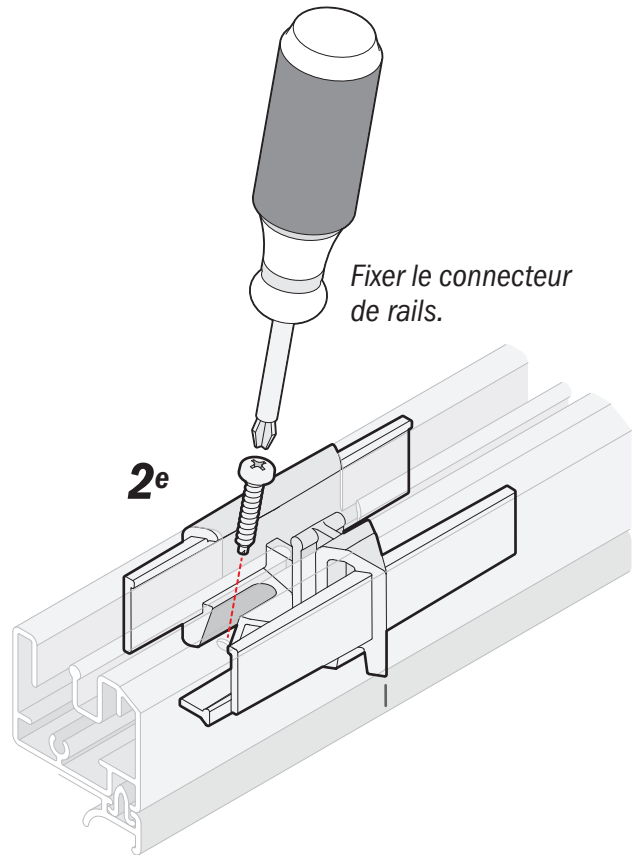
1^{re}



Repère tracé au crayon

Fixer le connecteur de rails.

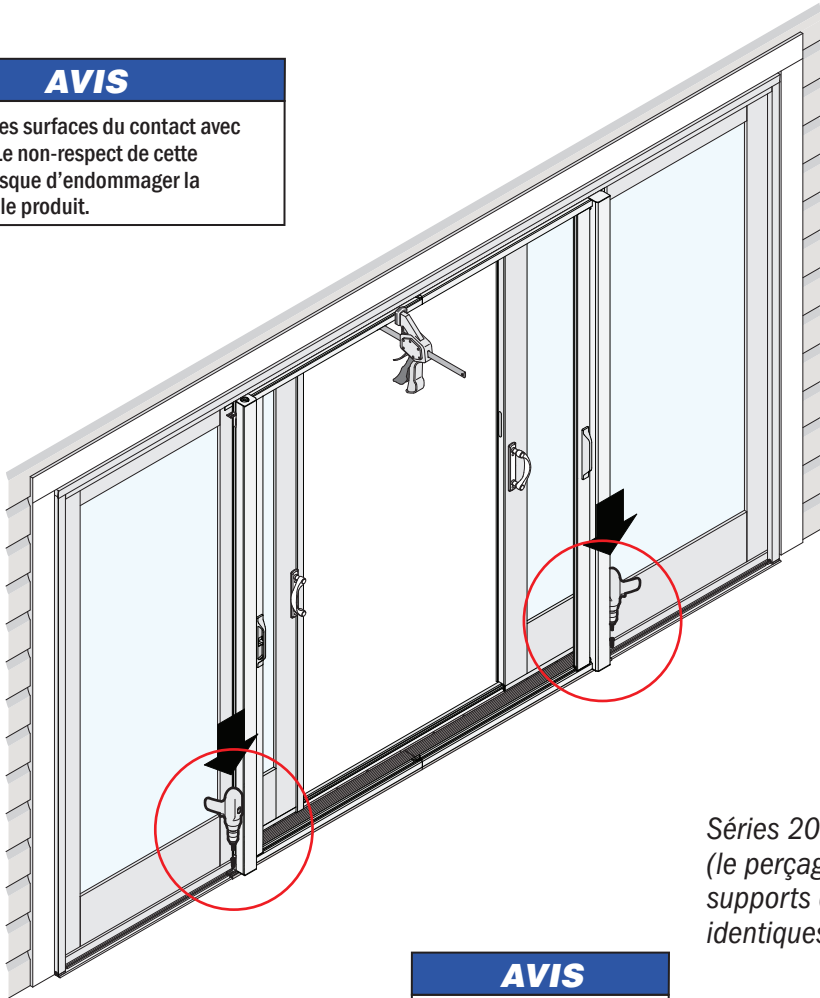
2^e



Vérifier que le point médian du rail du seuil de la moustiquaire rétractable est aligné avec le repère tracé au crayon. Percer un (1) trou de 1/8 po, centré dans la rainure, comme illustré et enlever les débris. Fixer le connecteur de rails au seuil (centre de la fente) avec une vis auto-perceuse en acier inoxydable n° 8 x 3/4 po.

AVIS

- Protéger les surfaces du contact avec les outils. Le non-respect de cette consigne risque d'endommager la surface ou le produit.



Séries 200/400

Série A

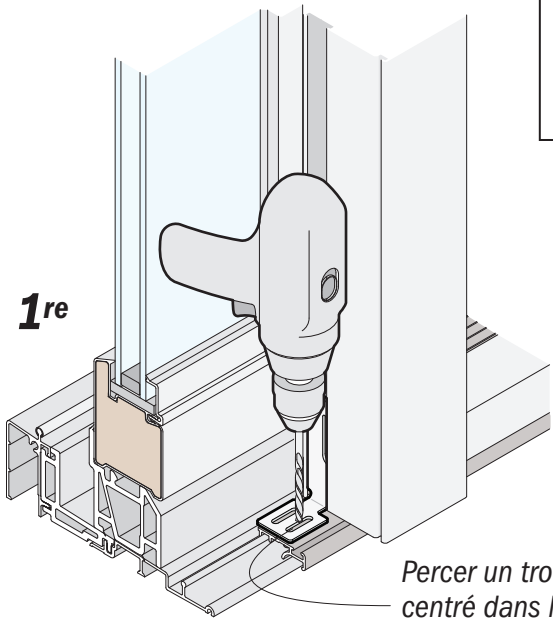
Série E

Vis auto-perceuse
noire ou acier inoxydable n° 8 x 3/8 po

Séries 200/400 illustrées
(le perçage et la fixation des supports de montage sont identiques pour toutes les séries).

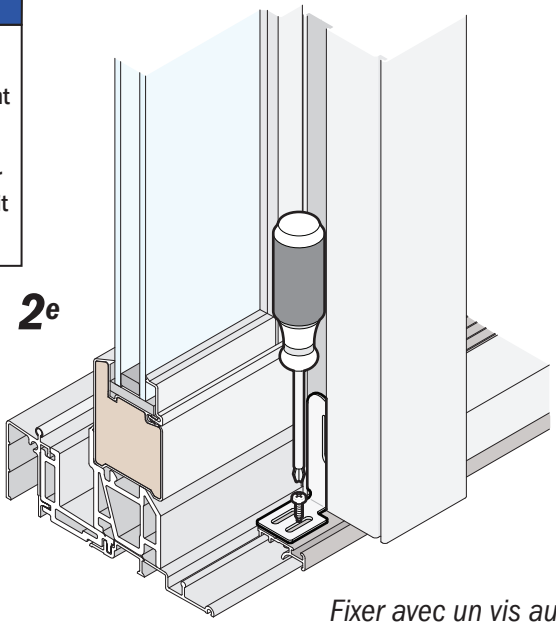
AVIS

- Ne percer que la première paroi du composant, généralement d'environ 1/8 po. Le non-respect de cette instruction peut entraîner des dommages au produit ou à la propriété.



1^{re}

Percer un trou de 1/8 po, centré dans la fente extérieure uniquement.



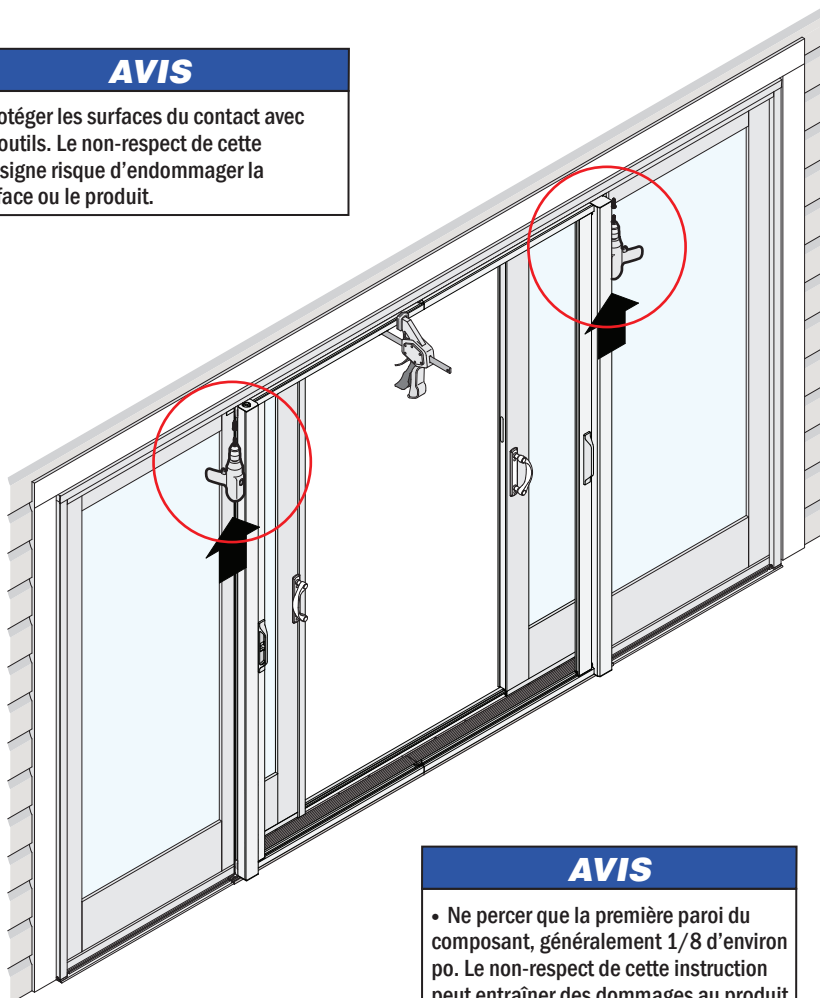
2^e

Fixer avec un vis auto-perceuse n° 8 x 3/8 po noire ou acier inoxydable.

Faire glisser les supports de montage vers le bas jusqu'à l'adaptateur de seuil. Percer un trou de 1/8 po, nettoyer les débris et fixer avec une vis auto-perceuse n° 8 x 3/8 po noire ou acier inoxydable pour chaque support de montage inférieur.

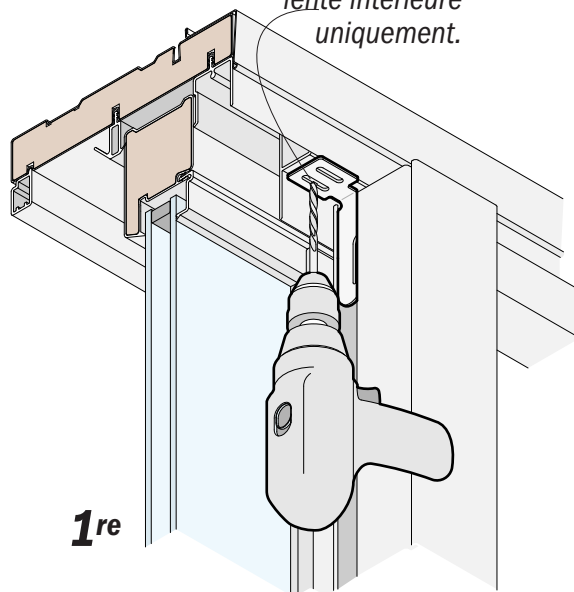
AVIS

· Protéger les surfaces du contact avec les outils. Le non-respect de cette consigne risque d'endommager la surface ou le produit.

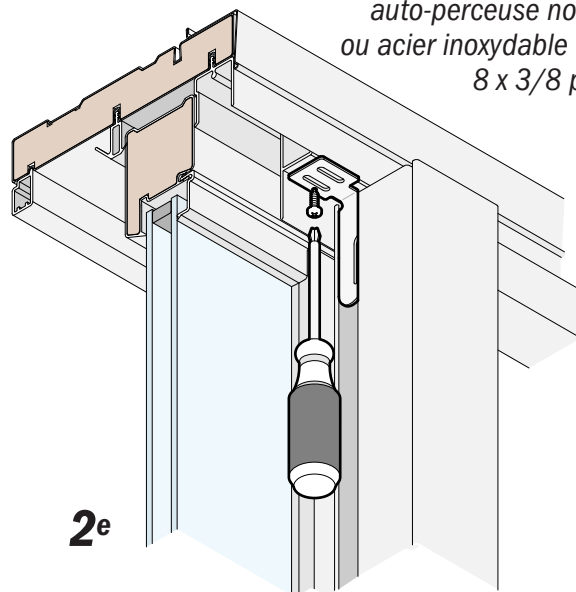
**AVIS**

• Ne percer que la première paroi du composant, généralement 1/8 d'environ po. Le non-respect de cette instruction peut entraîner des dommages au produit ou à la propriété.

Percer un trou de 1/8 po, centré dans la fente intérieure uniquement.



1re



2e

Séries 200/400

Série A

Série E

Vis auto-perceuse
noire ou acier inoxydable n° 8 x 3/8 po



Séries 200/400
illustrées (le perçage et la fixation des supports de montage sont identiques pour toutes les séries).

Fixer avec une vis auto-perceuse noire ou acier inoxydable n° 8 x 3/8 po.

Vérifier que le point médian du rail supérieur de la moustiquaire rétractable est aligné avec le repère tracé au crayon, le réaligner et le resserrer si nécessaire. Faire glisser les supports de montage vers le haut jusqu'au dispositif de retenue du rail supérieur. Percer un trou de 1/8 po, nettoyer les débris et fixer avec une vis auto-perceuse n° 8 x 3/8 po noire ou acier inoxydable pour chaque support de montage.

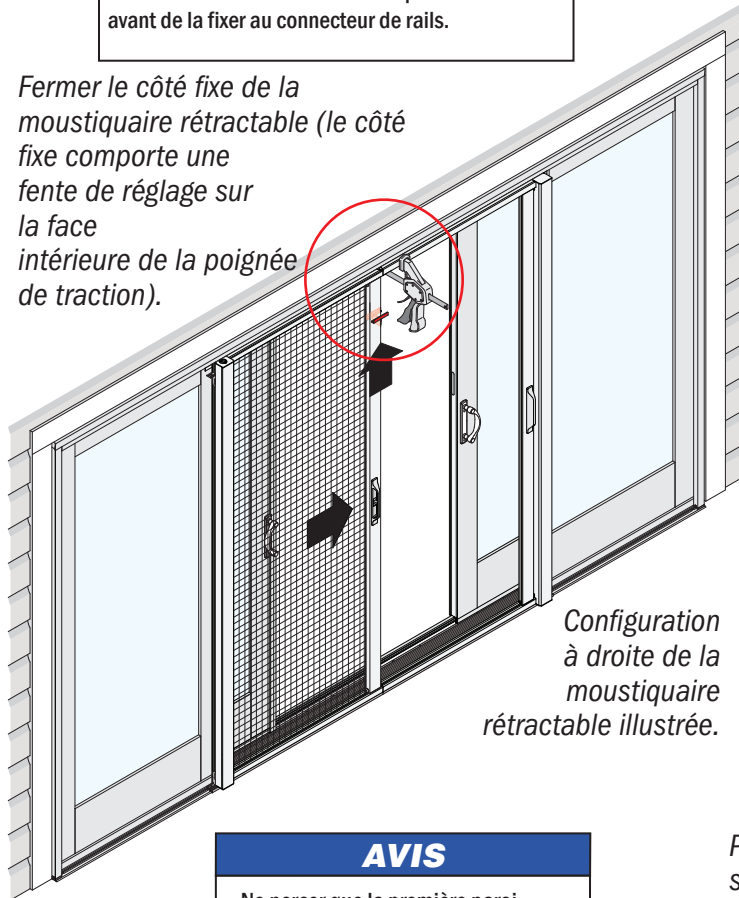
12

IMPORTANT

Vérifier l'orientation de la moustiquaire rétractable avant de la fixer au connecteur de rails.

Vue de l'extérieur

Fermer le côté fixe de la moustiquaire rétractable (le côté fixe comporte une fente de réglage sur la face intérieure de la poignée de traction).



Configuration à droite de la moustiquaire rétractable illustrée.

AVIS

· Ne percer que la première paroi du composant, généralement d'environ 1/8 po. Le non-respect de cette instruction peut entraîner des dommages au produit ou à la propriété.

AVIS

· Protéger les surfaces du contact avec les outils. Le non-respect de cette consigne risque d'endommager la surface ou le produit.

Séries 200/400

Série A

Série E

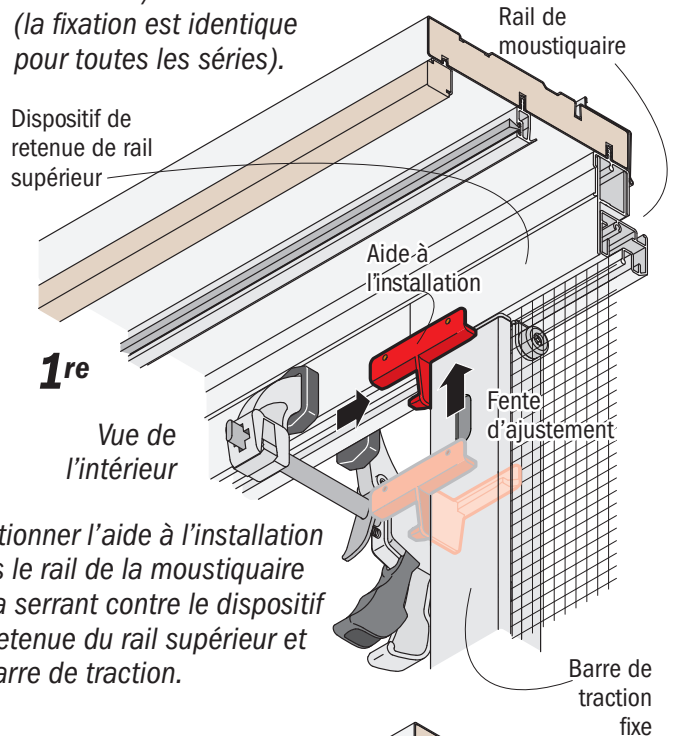
n° 8 x 3/8 po

Vis

auto-perceuse de couleur assortie



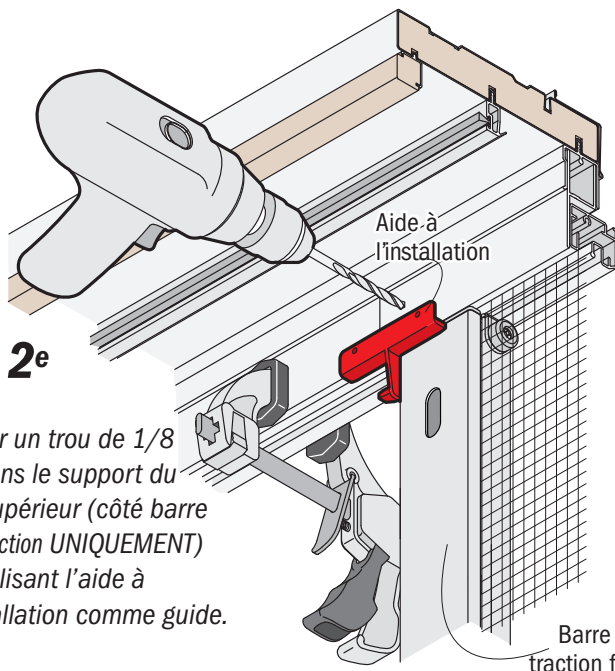
Séries 200/400 illustrées (la fixation est identique pour toutes les séries).



1^{re}

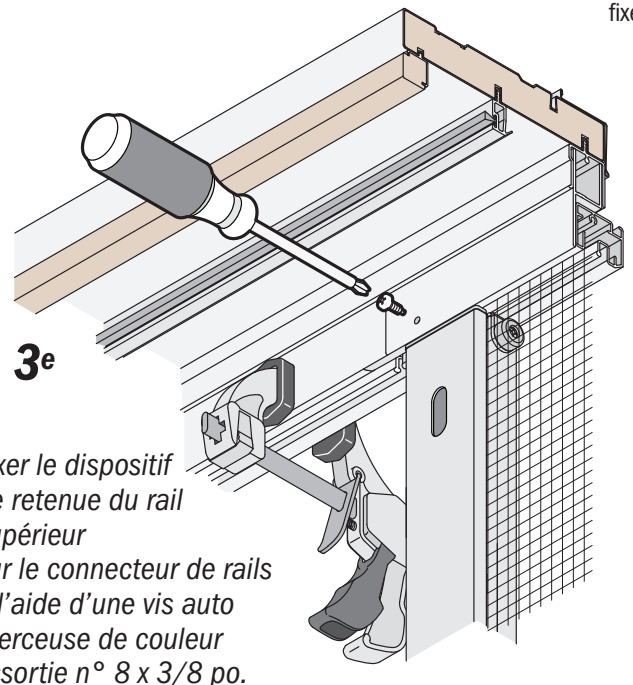
Vue de l'intérieur

Positionner l'aide à l'installation sous le rail de la moustiquaire en la serrant contre le dispositif de retenue du rail supérieur et la barre de traction.



2^e

Percer un trou de 1/8 po dans le support du rail supérieur (côté barre de traction UNIQUEMENT) en utilisant l'aide à l'installation comme guide.



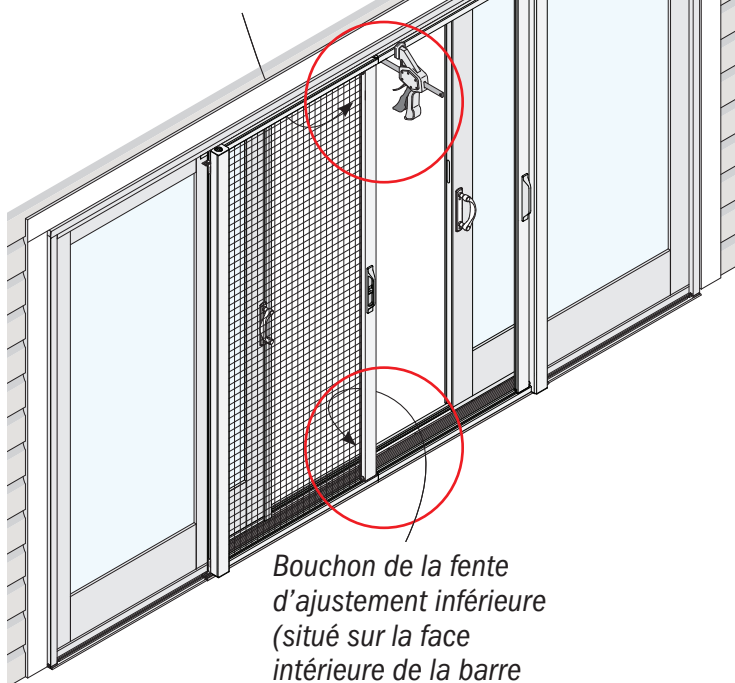
3^e

Fixer le dispositif de retenue du rail supérieur sur le connecteur de rails à l'aide d'une vis auto-perceuse de couleur assortie n° 8 x 3/8 po.

Fermer le côté fixe de la moustiquaire jusqu'à ce qu'elle se bloque d'elle-même à mi-parcours. Faire glisser l'aide à l'installation vers le haut sous le rail de la moustiquaire en l'accrochant à la fixation du rail supérieur et à la barre de traction du côté fixe, comme illustré. Vérifier l'alignement avec le repère supérieur. Ajuster selon les besoins. Percer un trou de 1/8 po, éliminer les débris et fixer à l'aide d'une vis auto-perceuse de couleur assortie n° 8 x 3/8 po dans le dispositif de retenue du rail supérieur et dans le connecteur de rail en haut.

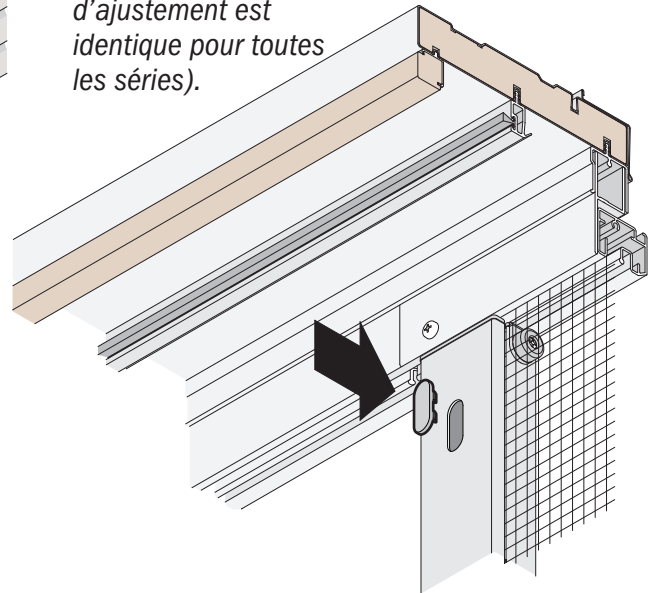
13

Bouchon de la fente d'ajustement supérieure (situé sur la face intérieure de la barre de traction)



Bouchon de la fente d'ajustement inférieure (situé sur la face intérieure de la barre de traction)

Séries 200/400 illustrées (l'application de bouchons de fente d'ajustement est identique pour toutes les séries).



Vérifier le fonctionnement de la goupille de verrouillage et l'ajuster si nécessaire. (Voir ci-dessous)
Poser un bouchon de fente d'ajustement en haut et en bas.

L'installation est terminée.

Séries 200/400

Série A

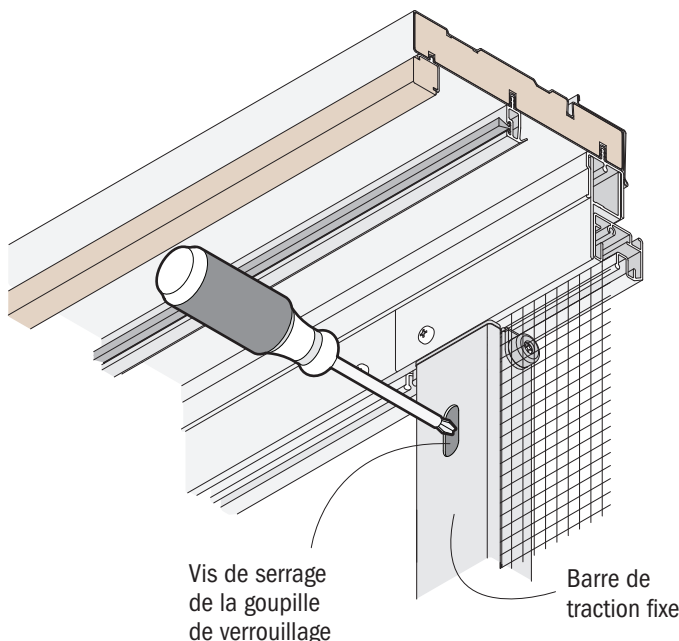
Série E

Réglage de la goupille de verrouillage

IMPORTANT

- **NE PAS** retirer complètement la vis.
Cela pourrait entraîner la chute de la vis à l'intérieur de la barre de traction fixe.

Desserrer la vis à l'intérieur de la fente d'ajustement supérieure, jusqu'à ce qu'elle puisse être déplacée, en maintenant le tournevis cruciforme en contact avec la vis (environ deux tours). **NE PAS** retirer complètement la vis. À l'aide d'un tournevis cruciforme, faire glisser la goupille de verrouillage supérieure vers le rail de la moustiquaire jusqu'à ce qu'elle s'arrête. Serrer la vis. Répéter l'opération pour la fente d'ajustement inférieure si nécessaire.



Séries 200/400

Série A

Série E

Foire aux questions

1. Comment s'ouvre et se ferme la moustiquaire rétractable?

Déployez la moustiquaire rétractable à l'aide de la poignée. Elle se verrouille automatiquement quand elle est complètement déployée. Faites glisser le levier de déverrouillage vers le haut ou vers le bas pour la déverrouiller. La moustiquaire se rétracte automatiquement.

2. Comment nettoie-t-on les mailles de la moustiquaire?

Utilisez une brosse propre et douce pour nettoyer les mailles de la moustiquaire en douceur, le cas échéant.

3. Que dois-je faire pour assurer l'entretien de ma moustiquaire rétractable?

Il est nécessaire de passer l'aspirateur et de rincer à l'eau de temps en temps les rails de la moustiquaire afin d'éliminer les saletés et les débris. Cela permet de maintenir les rails propres et exempts de débris susceptibles d'en affecter le fonctionnement.

4. Est-il possible d'acheter des pièces de rechange si un élément de ma moustiquaire rétractable s'abîme?

Il est possible d'acheter des pièces de rechange en se rendant sur parts.andersenstormdoors.com ou en appelant le service clientèle au 888-888-7020. Il est utile de disposer de votre numéro de série lors de la commande de pièces détachées. Le numéro de série se trouve au dos du châssis de la moustiquaire mobile.

5. Que dois-je faire avec le dispositif par temps froid?

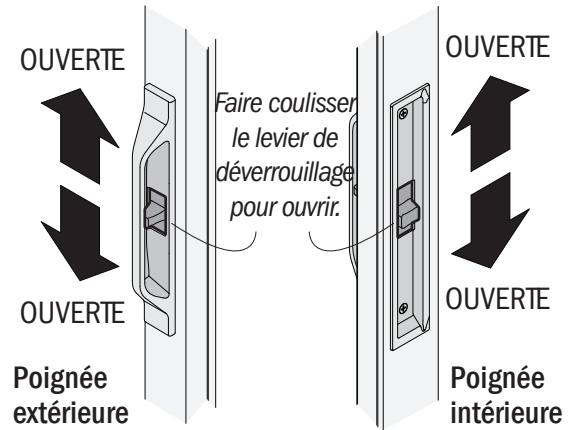
Il est préférable que le dispositif soit mis en position rentrée par temps froid. Il est déconseillé d'utiliser le dispositif quand les températures sont proches du point de gel ou plus basses.

6. L'installation de la moustiquaire rétractable appropriée (série 200/400, série A ou série E) sur une porte-fenêtre coulissante Andersen annulera-t-elle la garantie de ma porte-fenêtre?

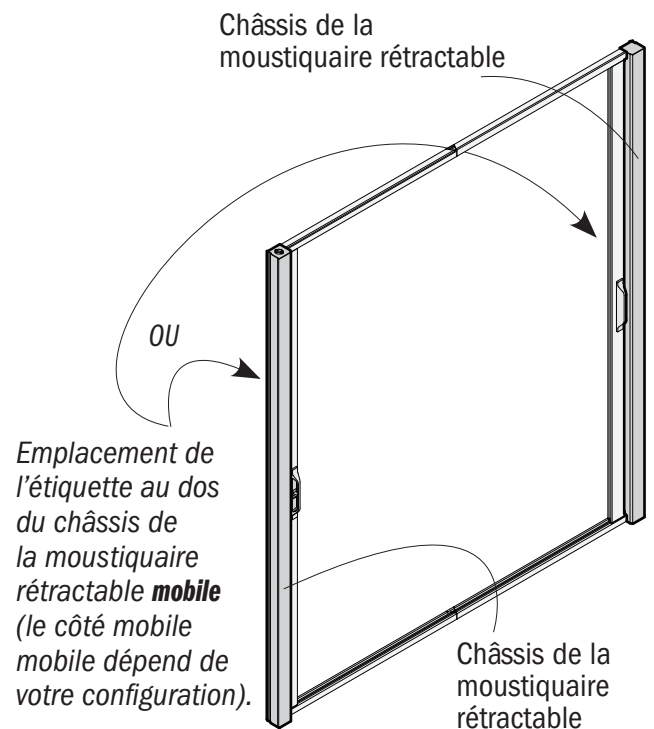
Non

7. Existe-t-il un vidéo montrant comment installer et utiliser la moustiquaire rétractable?

Vous pouvez trouver un vidéo accompagnant ces instructions d'installation en scannant ce code QR.



Étiquette de la moustiquaire rétractable



Garantie limitée

Moustiquaire rétractable

pour les portes-fenêtres Andersen® et les portes d'entrée Renewal by Andersen® Ensemble™

OWNER2OWNER
LIMITED WARRANTY

GARANTIE LIMITÉE ET PROCÉDURE DE RÈGLEMENT DES DIFFÉRENDS

IMPORTANT: Veuillez lire attentivement la procédure de règlement des différends qui figure dans ce document à la suite de la garantie limitée. La procédure de règlement des différends comprend des renoncements aux recours collectifs et aux procès avec jury qui affectent vos droits légaux. Pour refuser ces renoncements, vous devez vous rendre sur notre site Internet à l'adresse www.andersenwindows.com/optout et remplir le formulaire de refus dans un délai d'un an à compter de la date d'achat de vos produits Andersen® auprès d'un revendeur ou d'un détaillant. La possibilité de refus ne s'applique qu'aux conditions de la procédure de règlement des différends.

Garantie limitée de la moustiquaire rétractable

Garantie limitée transférable sur les composants de la moustiquaire rétractable

Les composants de la moustiquaire rétractable pour les portes-fenêtres Andersen® et les portes d'entrée Renewal by Andersen® Ensemble™ (notamment le dispositif de retenue du rail supérieur, le dispositif de retenue du logement de verrouillage, l'adaptateur de seuil, la couverture de l'adaptateur de seuil, le cadre de la moustiquaire, le boîtier du loquet, les rails de la moustiquaire, la barre de traction, l'assemblage de la serrure, la poignée et divers sous-composants) sont garantis contre les défauts de fabrication, de matériaux et de main-d'œuvre pendant une période de dix (10) ans à compter de la date d'achat auprès du détaillant/revendeur. Cette garantie limitée ne s'applique pas aux mailles de la moustiquaire.

En cas de défaillance d'un composant de la moustiquaire rétractable résultant d'un défaut de fabrication, de matériaux ou de main-d'œuvre au cours de la période de garantie limitée, Andersen prendra, à sa discrétion, les mesures suivantes : (1) fourniture de pièces de rechange au détaillant Andersen que vous aurez spécifié, la main-d'œuvre n'est pas incluse; ou (2) réparation autorisée par l'usine du composant existant, sans frais pour vous; ou (3) remboursement du prix d'achat d'origine. Ces pièces de rechange ou réparations sont garanties pour le reste de la période de garantie limitée d'origine.

Absence d'autres garanties ou déclarations

CETTE GARANTIE LIMITÉE REMPLACE TOUTE AUTRE GARANTIE, EXPRESSE OU IMPLICITE, Y COMPRIS NOTAMMENT TOUTE GARANTIE IMPLICITE DE QUALITÉ MARCHANDE OU D'ADÉQUATION À UN USAGE PARTICULIER. TOUTES LES GARANTIES SONT LIMITÉES AU DÉLAI DE PRESCRIPTION APPLICABLE, MAIS NE S'ÉTENDENT EN AUCUN CAS AU-DELÀ DES PÉRIODES DE GARANTIE LIMITÉE SPÉCIFIÉES CI-DESSUS. ANDERSEN EXCLUT TOUTE RESPONSABILITÉ ET NE SERA EN AUCUN CAS RESPONSABLE DES DOMMAGES ACCESSOIRES OU INDIRECTS, QUE CE SOIT DANS LE CADRE D'UN CONTRAT, D'UN ACTE DÉLICTEUX OU AUTRE. LE RECOURS À LA RÉPARATION, AU REMPLACEMENT OU AU REMBOURSEMENT DU PRIX D'ACHAT RÉEL DU PRODUIT PRÉVU PAR CETTE GARANTIE LIMITÉE CONSTITUE L'UNIQUE RECOURS POUR TOUTE PERTE OU TOUT DOMMAGE.

Loi applicable

Cette garantie limitée n'est applicable qu'aux États-Unis (c'est-à-dire les cinquante États et le district de Columbia). Cette garantie limitée vous donne des droits légaux spécifiques; il se peut que vous ayez d'autres droits qui peuvent varier d'une juridiction à l'autre. Certains États n'autorisent pas l'exclusion ou la limitation des dommages accessoires ou indirects ou la limitation de la durée d'une garantie implicite, par conséquent les limitations ou exclusions ci-dessus peuvent ne pas s'appliquer à votre cas. Si une condition spécifique de cette garantie limitée est interdite par une loi applicable, elle sera nulle et non avenue mais le reste de cette garantie limitée restera en vigueur et de plein effet.

Ce qui n'est PAS couvert par cette garantie limitée : Specific Additional Exclusions

Outre toute autre limitation ou exclusion dans cette garantie limitée, Andersen n'a aucune obligation en cas de défaillance du produit, de dommages ou de coûts dus ou liés à ce qui suit :

- Modifications du produit ou de dispositifs d'ombrage des vitres (par exemple, teinture des vitres, systèmes de sécurité, peinture ou teinture inadéquate, couvertures isolées etc.)
- Assemblage inadéquat des unités.
- Défaillance due à l'application d'une quincaillerie autre que celle d'Andersen (par exemple, serrures, poignées, fermetures etc.).
- Défaut d'installation de la quincaillerie et/ou des garnitures extérieures Andersen.
- Ajustements ou corrections dus à une mauvaise installation.
- Installation ou utilisation incorrecte, notamment la réinstallation d'une moustiquaire rétractable après qu'elle ait été retirée d'une construction et revendue et/ou réinstallée dans une autre construction.
- Entretien inadéquat, tel que l'utilisation de nettoyeurs pour briques, de lames de rasoir, de produits d'étanchéité, de ponçage ou d'un lavage inadéquat.
- Produits chimiques ou polluants atmosphériques, comme le sel ou les pluies acides.
- Livraison par des tiers.
- Accidents.
- Catastrophes naturelles
- Usure normale
- Animaux de compagnie

Articles supplémentaires exclus de cette garantie limitée :

- Frais de main-d'œuvre pour le remplacement de la moustiquaire rétractable ou d'autres composants.
- Frais de main-d'œuvre et autres coûts liés à la dépose et à l'élimination du produit défectueux.
- Frais de main-d'œuvre et de matériaux pour peindre ou teindre tout produit, composant, garniture ou autre ouvrage de menuiserie réparé ou remplacé, le cas échéant.
- Produits non fabriqués par Andersen.
- Insectes passant à travers la moustiquaire rétractable ou la contournant.
- Ternissement ou corrosion.
- D'autres séries de produits, certains produits et accessoires ont leurs propres garanties limitées et ne sont pas couverts par cette garantie limitée. Rendez-vous sur le site www.andersenwindows.com/warranty pour de plus amples renseignements.
- Déplacements de service pour fournir des instructions sur l'utilisation du produit.

Comment enregistrer votre garantie limitée Owner-To-Owner® (Propriétaire à Propriétaire)?

Andersen propose un enregistrement rapide et facile de la garantie sur son site Internet. Il suffit de se rendre sur www.andersenwindows.com/warranty et de fournir en ligne les renseignements relatifs à la garantie.

Cet enregistrement vous permettra de bénéficier plus rapidement d'un service de garantie à l'avenir. De plus, vous pouvez recevoir des bulletins d'information sur les produits, des avis de sécurité et des offres spéciales sur les nouveaux produits, ainsi que des renseignements sur les améliorations apportées aux fenêtres et aux portes que vous avez enregistrées. Toutes les données relatives à la garantie sont traitées de manière confidentielle et ne seront ni vendues ni échangées avec une personne ou un organisme extérieur à Andersen et au réseau de revendeurs Andersen.



Procédure de réclamation au titre de la garantie

Pour déposer une réclamation au titre de cette garantie limitée, contactez le détaillant/revendeur Andersen qui vous a vendu votre produit Andersen®. Vous pouvez également nous contacter à :

Andersen Windows, Inc./Andersen Service Center
100 Fourth Avenue North
Bayport, MN 55003-1096

Vous pouvez également nous contacter en vous rendant dans la section Pièces et services de notre site Internet à www.andersenwindows.com ou nous appeler au 1-888-888-7020.

Pour nous permettre de vous répondre plus rapidement, vous pouvez nous fournir les renseignements importants suivants :

- Description du produit, notamment la couleur extérieure, le type et la taille de l'unité.
- Description des problèmes concernant le produit.
- Documentation de la date d'achat, si elle est disponible.
- Votre nom, l'adresse (avec le code postal) où le produit est installé et vos numéros de téléphone.

Réparations non couvertes par la garantie

Tous les coûts liés à une réparation qui n'est pas couverte par cette garantie limitée ou qui se situe en dehors de la période de garantie limitée seront à votre charge. En cas de doute sur la couverture de la garantie, Andersen peut facturer des frais d'inspection pour toute inspection du produit sur place. Si l'inspection détermine que le produit Andersen® présente un défaut couvert par cette garantie limitée, les frais d'inspection seront annulés.

Andersen Windows, Inc. / International Division
100 Fourth Avenue North
Bayport, MN 55003-1096

PROCÉDURE DE RÈGLEMENT DES DIFFÉRENDS

Généralités

Si vous n'êtes pas satisfait du recours qui vous est proposé dans le cadre de la garantie limitée susmentionnée ou si vous avez une autre réclamation à l'encontre d'Andersen concernant vos produits Andersen®, vous et Andersen acceptez de résoudre la réclamation en suivant la procédure suivante (« Procédure de résolution des différends »). Cette procédure de résolution des différends s'appliquera aux réclamations de toute nature concernant votre produit Andersen (« Différend(s) »). Les différends comprennent, entre autres, les réclamations pour rupture de contrat ou de garantie, les réclamations pour violation des lois ou réglementations fédérales, d'États ou provinciales, les

réclamations fondées sur la responsabilité délictuelle, la négligence ou la responsabilité du fait du produit, les réclamations fondées sur la fraude ou la fraude par incitation, les réclamations relatives à la commercialisation ou à la publicité et les réclamations liées au caractère exécutoire ou à l'effet de toute condition de la garantie limitée ou de la procédure de règlement des différends, notamment les renoncements aux recours collectifs et aux procès devant jury.

Obligation d'avis

Pour faire valoir un différend, vous devez d'abord fournir à Andersen un avis écrit.

Un formulaire d'avis de différend est disponible sur le site Internet d'Andersen à www.andersenwindows.com/noticeofdispute.

Réponse d'Andersen

Andersen disposera de 60 jours à compter de la réception de votre avis de différend pour vous répondre par écrit. En réponse ou à tout moment ultérieur, Andersen peut vous présenter une ou plusieurs offres écrites en vue de résoudre votre différend.

Absence de recours collectif ou de procès avec jury

VOUS ACCEPTEZ DE NE FAIRE VALOIR DES DIFFÉRENDS À L'ENCONTRE D'ANDERSEN QUE SUR UNE BASE INDIVIDUELLE ET NON EN TANT QUE PLAIGNANT OU MEMBRE D'UN GROUPE DANS LE CADRE D'UN RECOURS OU D'UNE PROCÉDURE COLLECTIVE OU REPRÉSENTATIVE. DANS LE CADRE DE CETTE PROCÉDURE DE RÉSOLUTION DES DIFFÉRENDS, VOUS ET ANDERSEN ACCEPTEZ ÉGALEMENT DE RENONCER À TOUT DROIT À UN JURY ET ACCEPTEZ QUE TOUS LES DIFFÉRENDS SOIENT ENTENDUS ET TRANCHÉS UNIQUEMENT PAR LE JUGE D'UN TRIBUNAL FÉDÉRAL OU PROVINCIAL/D'ÉTAT.

Procédure de refus

Vous pouvez refuser de participer à cette procédure de résolution des différends en remplissant et en envoyant un avis de refus écrit. L'avis de refus se trouve sur le site Internet d'Andersen à www.andersenwindows.com/optout. Toutes les conditions de la garantie limitée énoncées ci-dessus resteront en vigueur, indépendamment de votre refus de la procédure de résolution des différends.

Loi applicable et divisibilité

Cette procédure de résolution des différends, y compris notamment les questions relatives à son applicabilité et à ses effets, sera régie par les lois de l'État du Minnesota, sans tenir compte des principes de conflit de lois. Dans le cas où une condition de cette procédure de résolution des différends serait jugée non valide ou inapplicable dans une juridiction particulière, cette condition ne s'appliquera pas à la question traitée dans cette juridiction. Cette condition sera alors supprimée et les autres conditions resteront pleinement en vigueur.

Questions

Si vous avez des questions concernant la procédure de règlement des différends ou la procédure de refus, communiquez avec nous au 844-332-7972.

« Andersen » et toutes les autres marques mentionnées dans les présentes sont des marques commerciales d'Andersen Corporation. ©2023 Andersen Corporation. Tous droits réservés.