

Curved Interior Casing Installation Guide

for Andersen® Architectural Doors and Windows

IMPORTANT

Read all instructions carefully before attempting this procedure. If you have any questions about your ability to complete this procedure, call Andersen at 1-888-888-7020 for further direction. Andersen WindowCare® service center hours are Monday through Friday, 7 a.m. to 7 p.m. Central Time and Saturday 8 a.m. to 4 p.m. Central Time. Thank you for choosing Andersen® products.

Important Safety, Assembly, and Installation Information

Every assembly and installation is different (windloads, structural support, etc.). Andersen strongly recommends consultation with an Andersen supplier or an experienced contractor, architect, or structural engineer prior to the assembly and installation of any Andersen product. Andersen has no responsibility in regard to the post-manufactured assembly and installation of Andersen products.

⚠ WARNING

Using ladders and/or scaffolding and working at elevated levels may be hazardous. Follow equipment manufacturer's instructions for safe operation. Use extreme caution when working around window and door openings. Falling from opening may result in injury or death.

⚠ WARNING

Improper use of hand/power tools could result in injury and/or product damage. Follow manufacturer's instructions for safe operation of equipment. Always wear safety glasses.

⚠ WARNING

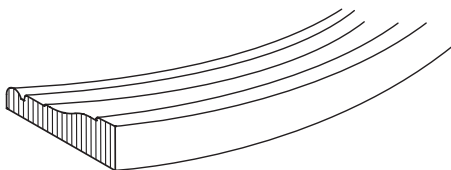
Windows and doors can be heavy. Use safe lifting techniques and a reasonable number of people with enough strength to lift, carry and install window and door products to avoid injury and/or product damage.

Parts Included

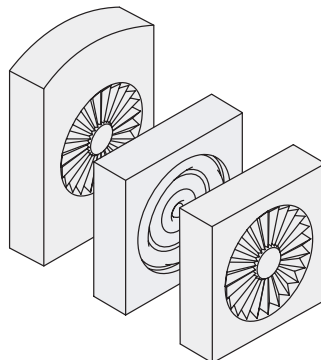
Instruction Guide
Curved Interior Casing
Plinth Block (if ordered)
Key Block (if ordered)

Tools and Supplies

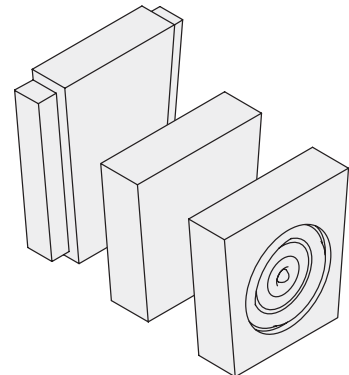
- Safety Glasses
- Pencil
- Mitre Saw
- Power Drill
- Drill Bit (size determined by finish nail size)
- Finish Nails
- Hammer



Curved Interior Casing



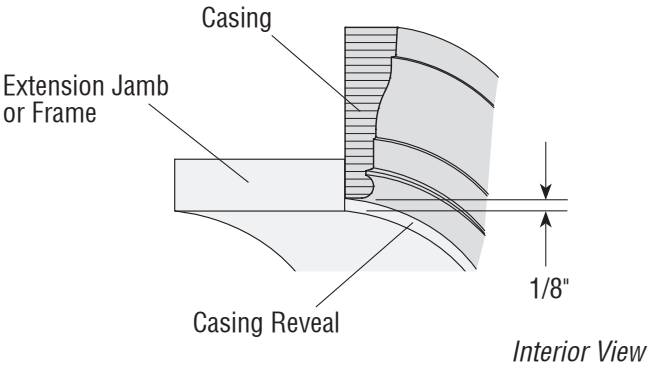
Plinth Block



Key Block

Casing Reveal

- The *Casing Reveal* is designed to be 1/8" from inside edge of extension jamb or frame to inside edge of *Casing*.

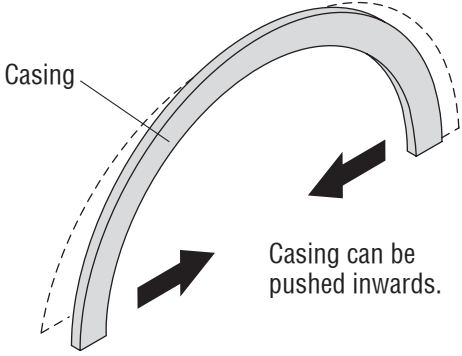
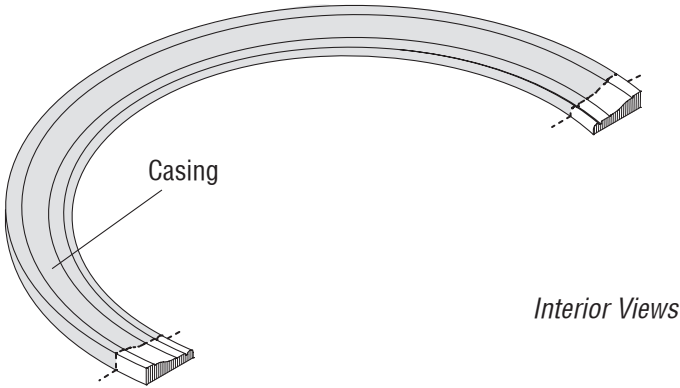


1. Cut Casing to Size

CAUTION
 Curved Casing can be pushed inwards. **Do Not** push Casing outwards or over compress Casing inwards. Forcing Casing too far will cause product damage.

NOTICE
 Casing is sent long and must be cut to fit on site.

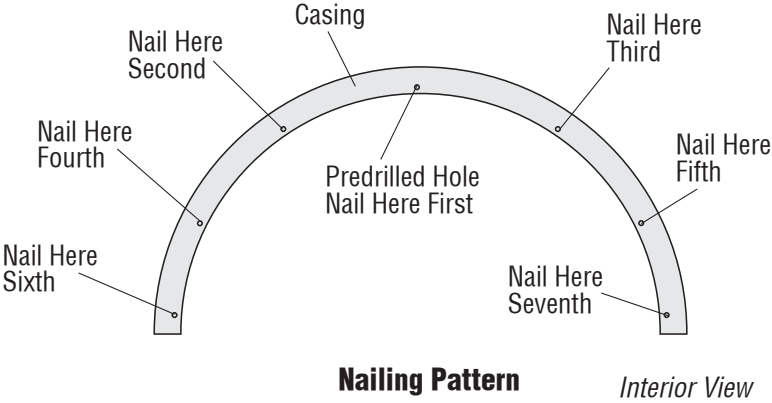
- Place *Casing* in position on window or door unit. Allow for 1/8" *Casing Reveal*. Curved *Casing* can be pushed inward slightly to better fit window or door frame. **Do Not** force *Casing* outwards.
- Mark and cut *Casing* to size with mitre saw.



2. Install Casing

- Install *Casing* using finish nails.
- Pre-drill *Casing* for finish nails.
- Start nailing *Casing* at top center. Continue nailing alternating from left to right working down the *Casing*. Maintain 1/8" *Casing Reveal*.

NOTICE
 Casing may require touch up and sanding at the joints after installation.

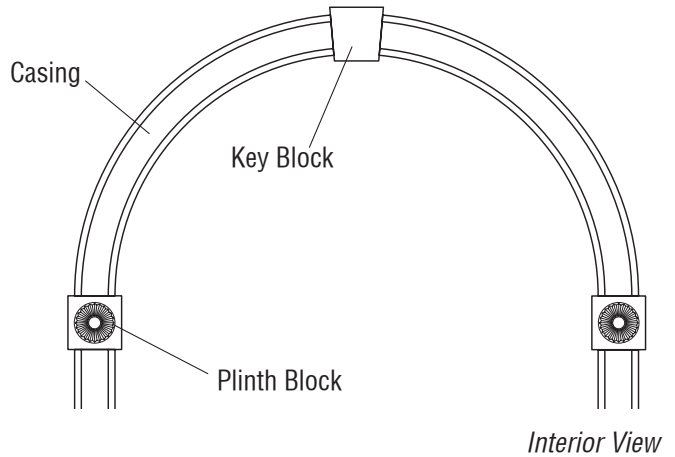


Key and Plinth Blocks

NOTICE

Key and Plinth Blocks can be used to make installation easier and enhance the units overall appearance.

- Nail *Key Blocks* and *Plinth Blocks* in location with finish nail.
- Fit, cut and install *Casing* between *Key Blocks* and *Plinth Blocks*. Maintain 1/8" *Casing Reveal*.

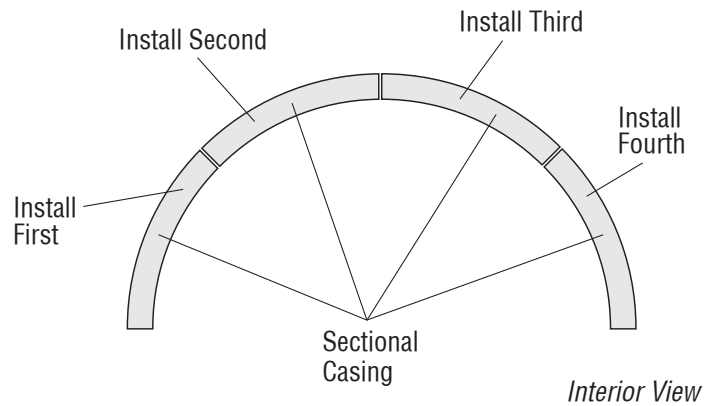


Sectional Casing

NOTICE

All Casing with a radius greater than 96" will be sent in sectional pieces. Sectional pieces must be cut on proper angle and to length on site.

- Fit and cut sectional *Casing* to match frame or extension jambs. Maintain 1/8" *Casing Reveal*.
- Install sectional *Casing* starting from one side, working around unit.



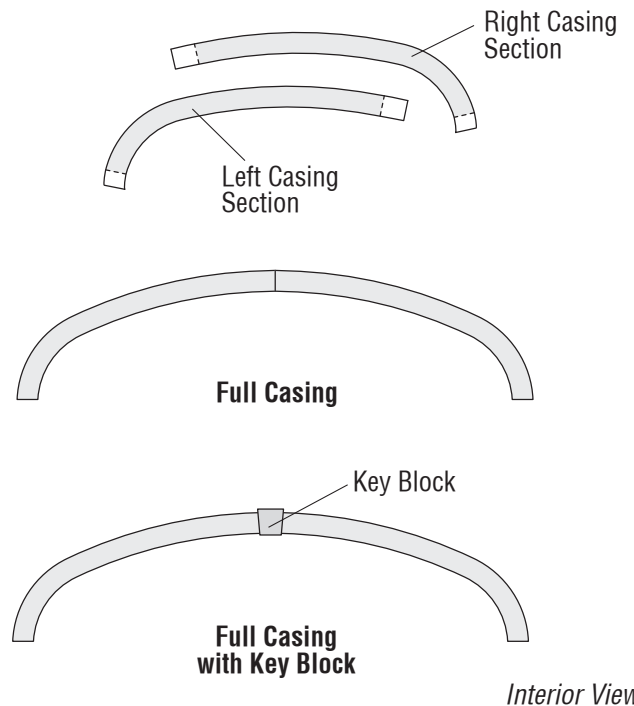
Elliptical Casing

2 Piece Casing

NOTICE

A Key Block is sent with each set of elliptical Casings.

- Fit and cut *Casing* to match frame or extension jambs. Maintain 1/8" *Casing Reveal*.
- Install *Casing*. *Key Block* can be installed to ease installation and enhance appearance. Nail *Key Block* in location with finish nail.



Elliptical Casing (continued)

3 Piece Casing

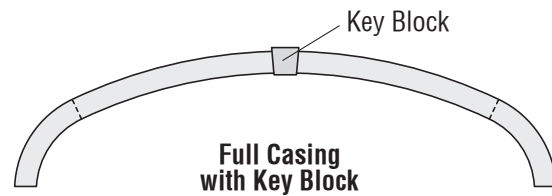
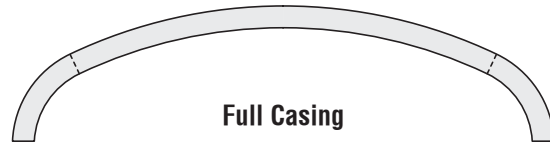
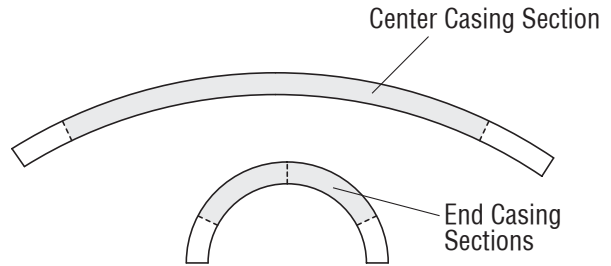
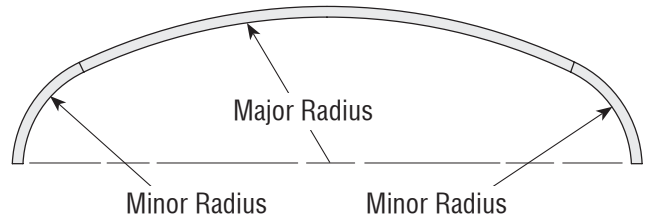
NOTICE

Elliptical components are created by using a 3 piece construction consisting of 1 major and 2 minor radius parts.

NOTICE

A Key Block is sent with each set of elliptical Casings.

- Fit and cut *Casing* to match frame or extension jambs. Maintain 1/8" *Casing Reveal*.
- Install *Casing*. *Key Block* can be installed to ease installation and enhance appearance. Nail *Key Block* in location with finish nail.



Interior Views

Finishing and Maintenance

CAUTION

DO NOT expose unfinished wood to high moisture conditions, excessive heat or humidity. Finish wood surfaces immediately after installation. Unfinished wood surfaces will discolor, deteriorate, and/or may bow and split.

SURFACE PREPARATION

Set all nails 1/16" below wood surface. Fill all nail holes. Lightly sand all surfaces with 220 grit sandpaper. Remove all dust with a tack cloth or damp clean rag.

FINISHING

Read and follow finishing manufacturer's instructions and warnings on each container of finishing material for priming, painting, staining, and varnishing.

MAINTENANCE

Immediately sand and refinish any wood that becomes stained or mildewed to prevent further discoloration and/or damage. For further information, contact your local Andersen Dealer. Dealers can be found in the Yellow Pages under Windows.