

Installation Guide

for Andersen® 400 Series Circle Top™, Quarter Round, Elliptical, Circle, and Oval Windows & 200 Series Casement Circle Top™ and Quarter Round & Narroline® Circle Top™ Windows



INSTALLER: Please leave this guide with the building owner to file for future reference.

Congratulations! You have just purchased one of the many fine Andersen® products. Proper assembly, installation and maintenance are essential if the benefits of your Andersen product are to be fully attained. Therefore, please read and follow this instruction guide completely. If your abilities do not match this procedure's requirements, contact an experienced contractor. You may direct any questions about this or other products to your local Andersen dealer, found in the Yellow Pages under "Windows" or call Andersen WindowCare® service center at 1-888-888-7020 Monday through Friday, 7 a.m. to 7 p.m. Central Time and Saturday, 8 a.m. to 4 p.m. Central Time. Thank you for choosing Andersen.

Important Safety, Assembly, and Installation Information

Every assembly and installation is different (windloads, structural support, etc.). Andersen strongly recommends consultation with an Andersen supplier or an experienced contractor, architect, or structural engineer prior to the assembly and installation of any Andersen product. For installation methods not covered in this guide, (i.e. through jamb) please visit the Architect Detail File on the web (www.andersenwindows.com). Andersen has no responsibility in regard to the post-manufactured assembly and installation of Andersen products.

⚠ WARNING

Using ladders and/or scaffolding and working at elevated levels may be hazardous. Follow equipment manufacturer's instructions for safe operation. Use extreme caution when working around window and door openings. Falling from opening may result in personal injury or death.

⚠ WARNING

Improper use of hand/power tools could result in personal injury and/or product damage. Follow manufacturer's instructions for safe operation of equipment. Always wear safety glasses.

⚠ WARNING

Weight of window/door unit(s) and accessories will vary. Use a reasonable number of people with sufficient strength to lift, carry, and install window and door unit(s) and accessories. Always use appropriate lifting techniques.

⚠ WARNING

Unless specifically ordered, Andersen windows and doors are not equipped with safety glass, and if broken, could fragment causing injury. Many laws and building codes require safety glass in locations adjacent to or near doors. Andersen windows are available with safety glass that may reduce the likelihood of injury when broken. Information on safety glass is available from your local Andersen dealer.

⚠ CAUTION

- Andersen® Head Flashing and Installation Flanges **DO NOT** take the place of standard window and door flashing. Unit must be properly flashed and sealed with silicone for protection against water and air infiltration. Use non-reflective flashings. Highly reflective flashing tapes can raise the surface temperature of the vinyl to the point where vinyl deformation and product damage may occur.
- Do not apply any type of film to glass. Thermal stress conditions resulting in glass damage could occur.
- Use of movable insulating materials such as window coverings, shutters, and other shading devices may damage glass and/or vinyl. In addition, excessive condensation may result causing deterioration of windows and doors.

NOTICE

Extension Jambes are factory applied on some units or may be applied prior to installation, except when Jamb Clips are used.

⚠ WARNING

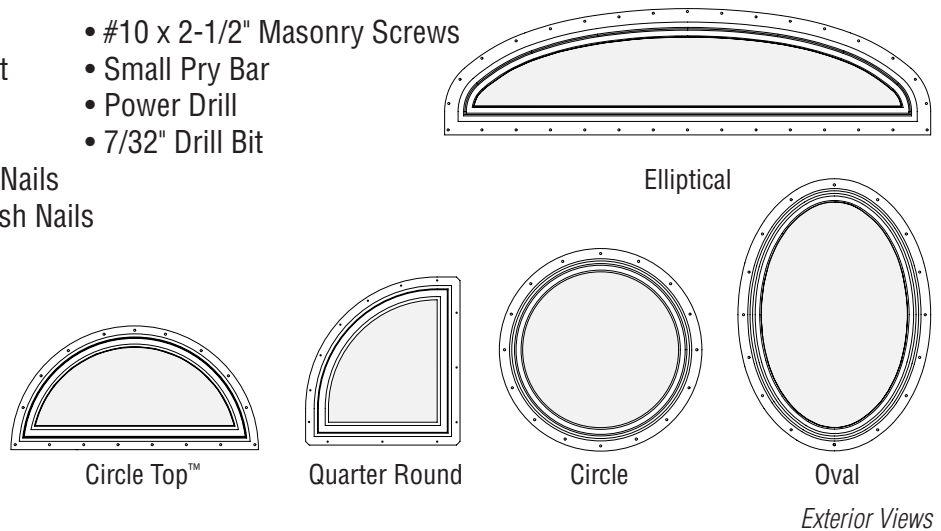
Steel will corrode when used with ACQ Pressure Treated Lumber. Obtain and use the appropriate size stainless steel fastener as called out by the installation guide to fasten unit to any rough opening made from ACQ Pressure Treated Lumber. Failure to use stainless steel fasteners for the installation could cause a failure resulting in injury, property, or product damage.

Tools and Supplies

- Safety Glasses
- Tape Measure
- Hammer
- Level
- Carpenter's Square
- Wood Shims
- Utility Knife
- Silicone Sealant
- Caulk Gun
- Flashing Tape
- 1-3/4" Roofing Nails
- 1-1/2" (4d) Finish Nails
- #10 x 2-1/2" Masonry Screws
- Small Pry Bar
- Power Drill
- 7/32" Drill Bit

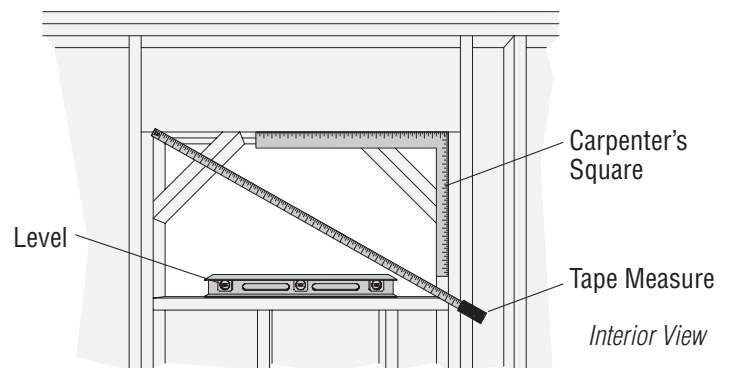
Options and Accessories

- Extension Jambes
- Grilles (Interior & Exterior)
- Auxiliary Casings
- Jamb Clips
- Joining Kits
- Andersen® Art Glass Panels

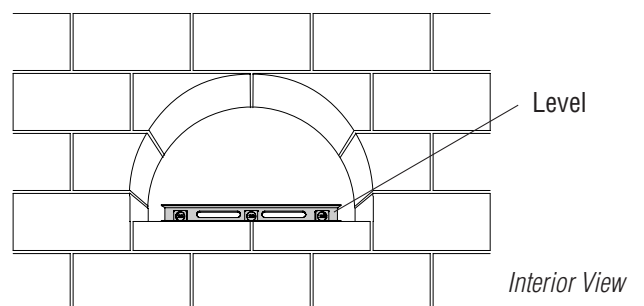


1. Prepare Rough Opening

- Prepare rough opening for unit according to dimensions found in the *Andersen® Product Guide*.
- Check sill plate for level. Sill **must** be level, shim sill plate if necessary.
- Check rough opening for plumb and level. If rough opening is **not** plumb or level, correct as necessary.
- Check opening for square by measuring diagonally, upper left to lower right and upper right to lower left corner. If measurements are the same, opening is square. If rough opening is **not** square, correct as necessary.



Wood Frame/ Buck Construction



Masonry Construction

NOTICE

For masonry installations using wood bucks, follow procedure for wood frame construction.

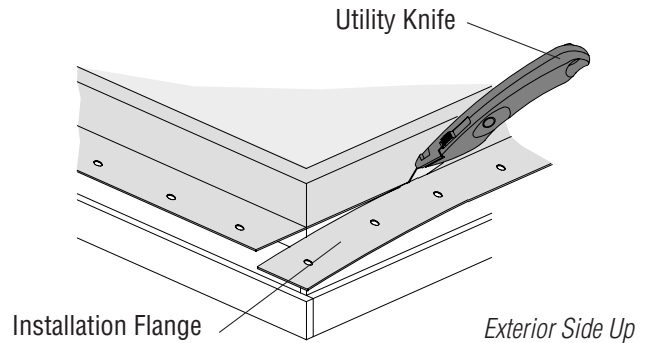
2. Prepare Unit for Installation

Wood Frame/Buck Construction

- Carefully remove unit from carton. Place unit exterior side up on a clean, flat work surface.
- Proceed to **STEP 3**.

Masonry/Replacement Installations (Where Removal of Installation Flange May Be Required)

- Carefully remove unit from carton. Place unit exterior side up on a clean, flat work surface.
- Cut and remove *Installation Flange* from perimeter of window unit, if required, using a sharp utility knife.

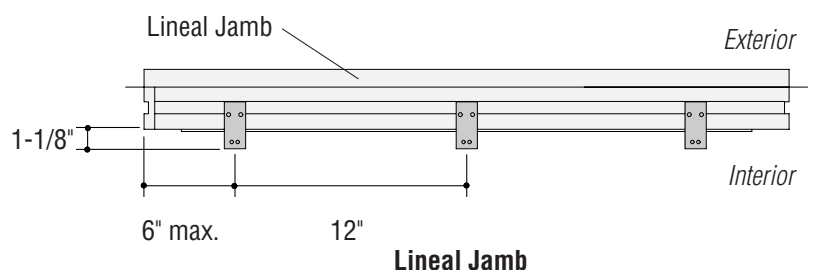
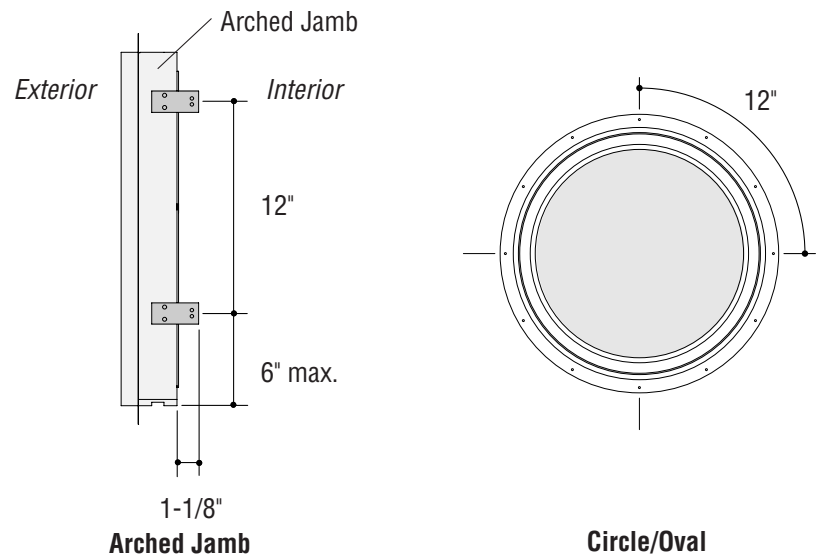
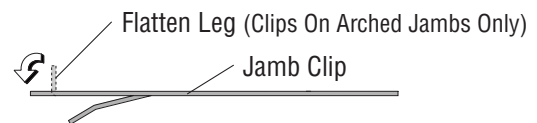


Optional Jamb Clips by Andersen

⚠ WARNING

Steel will corrode when used with ACQ Pressure Treated Lumber. Obtain and use the appropriate size stainless steel fastener as called out by the installation guide to fasten unit to any rough opening made from ACQ Pressure Treated Lumber. Failure to use stainless steel fasteners for the installation could cause a failure resulting in injury, property, or product damage.

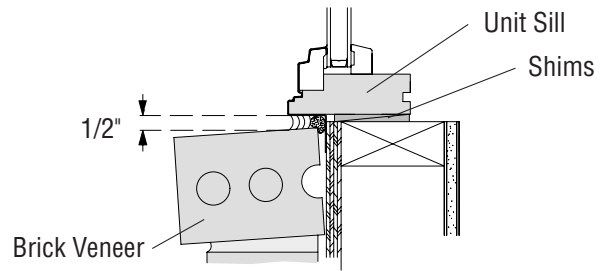
- Flatten leg on *Jamb Clips* being located on arched jambs.
- Attach *Jamb Clips* on back of jamb, spacing 12" apart on center and starting 6" from corners, using 5/8" fasteners. For Circle and Oval Units, use a minimum of four clips spaced 12" apart. Use number of *Jamb Clips* as required. Maximum Design Load is 200 lbs. per *Jamb Clip*.



3. Install Unit

CAUTION

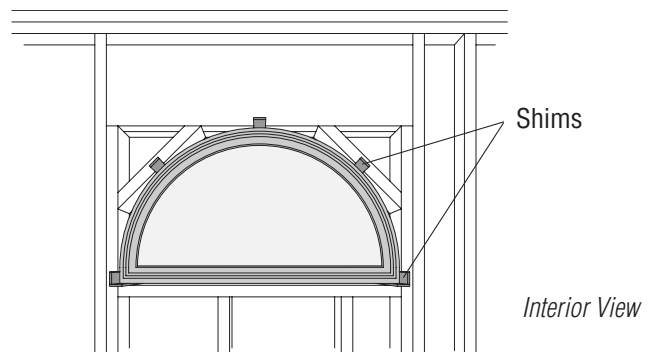
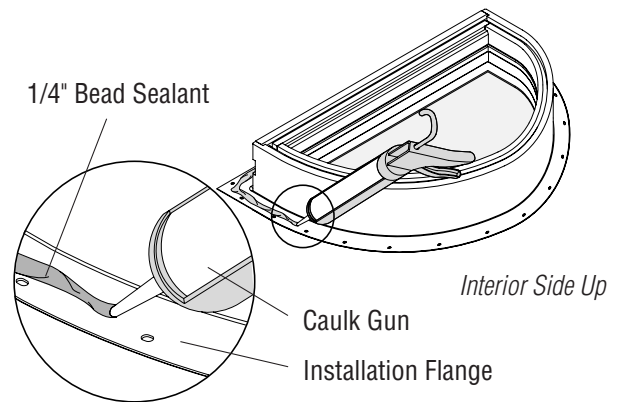
- To prevent bending and cracking of Installation Flanges, **DO NOT** set nails when using low density insulating sheathing.
- Provide a minimum clearance of 1/2" from top of brick or masonry to the bottom of any portion of sill. Failure to do so could result in product damage.



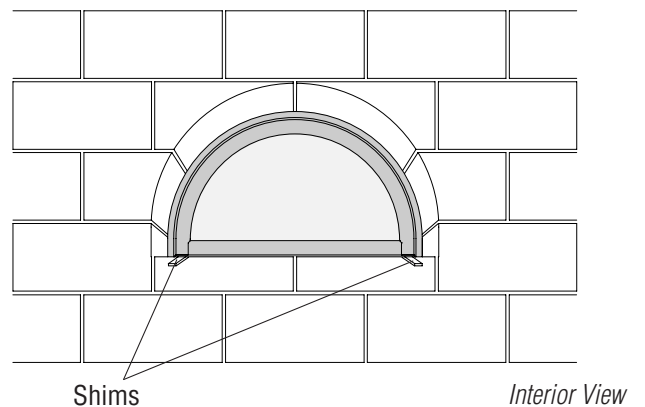
⚠ WARNING

Steel will corrode when used with ACQ Pressure Treated Lumber. Obtain and use the appropriate size stainless steel fastener as called out by the installation guide to fasten unit to any rough opening made from ACQ Pressure Treated Lumber. Failure to use stainless steel fasteners for the installation could cause a failure resulting in injury, property, or product damage.

- Apply 1/4" bead of sealant, full perimeter, to back side of *Installation Flange* or around perimeter of rough opening 1/2" from edge.
- Lift unit into rough opening from exterior. From interior, shim at corners of sill under side jambs to level and center unit. Insert shims between frame and rough opening in middle of side jamb.
- Center, square, and level unit in opening.



Wood Construction



Masonry Construction

3. Install Unit (Continued)

Wood Frame/Buck Construction

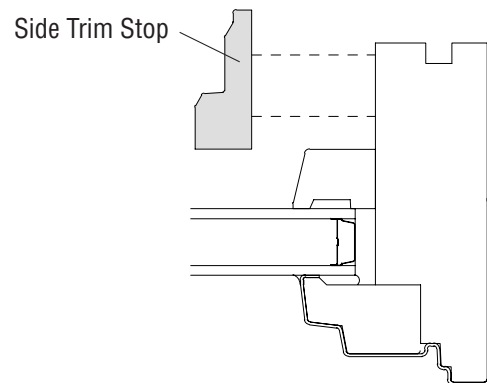
- From the exterior, nail upper *Installation Flange* using 1-3/4" roofing nails. Recheck level.
- If unit is not square, adjust with shims as required and fasten remaining corners.
- Secure unit to wood frame rough opening using 1-3/4" roofing nails. Nails should be spaced every other hole.

Masonry/Replacement Installation (Installation Using Jamb Clips)

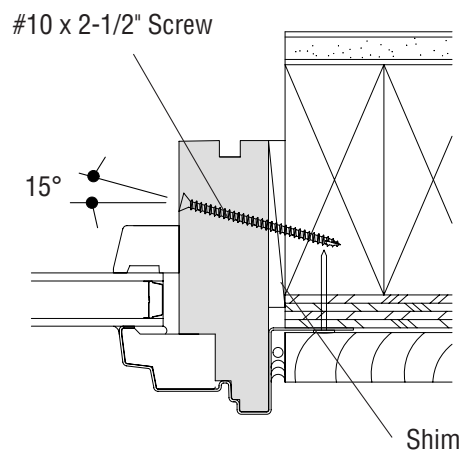
- Secure unit to masonry rough opening using masonry screws through *Jamb Clips*.

Masonry/Replacement Installation (Through-the-Jamb Installation)

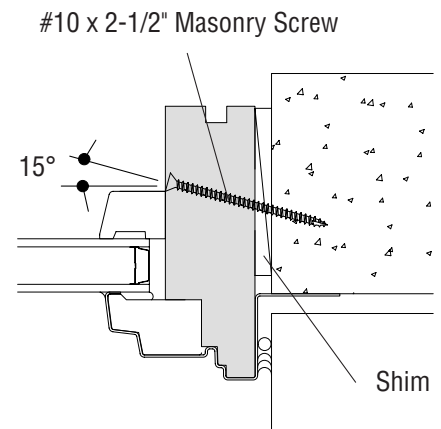
- Remove side *Trim Stops* from unit using small pry bar.
- Mark location for screws on side jamb 6" from top and bottom and every 16" in between. For Circle and Oval Units, mark location for screws at top of jamb and every 12" around the unit jamb.
- Insert *Shims* near hole locations.
- Drill and countersink 7/32" holes at a 15° angle toward exterior on marks.
- Fasten using #10 x 2-1/2" screws.
- Replace side *Trim Stops*.



Cross Section Detail
Side Jamb



Cross Section Detail
Wood Frame Construction



Cross Section Detail
Masonry Construction

4. Apply Flashing Tape

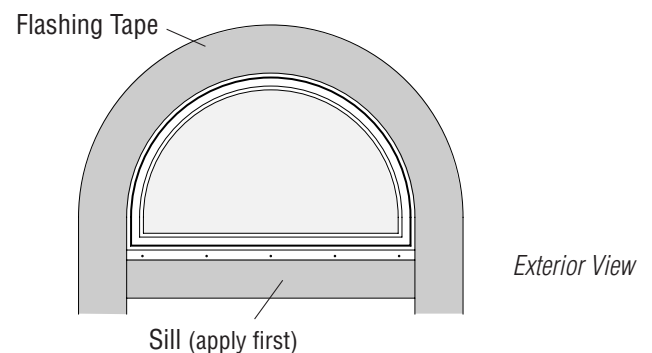
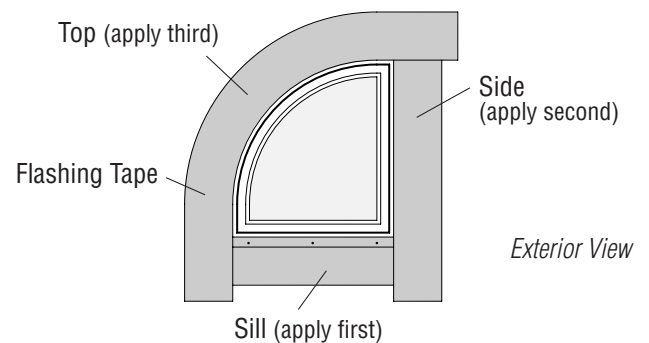
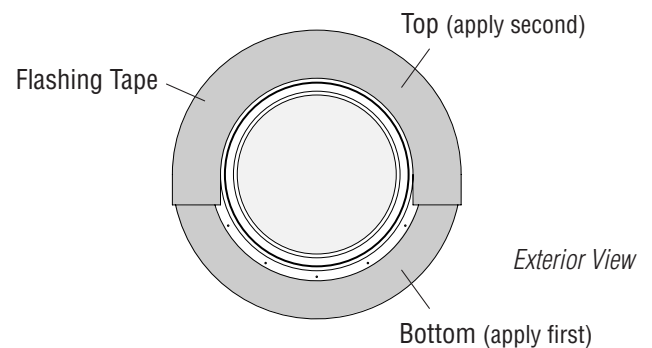
⚠ CAUTION

Unit must be properly flashed and sealed for protection against water and air infiltration. Use non-reflective flashings. Highly reflective flashing tapes can raise the surface temperature of the vinyl to the point where vinyl deformation and product damage may occur.

NOTICE

- This instruction step depicts one of many options for proper flashing.
- Moisture infiltration problems in any type of building can be reduced by properly flashing and/or sealing around all building openings, including windows and doors. Proper flashing under and around window and door openings can reduce moisture problems, but the performance of any building system depends upon the design and construction of the building system in its entirety, which should address local environment, climate, building codes and product and material limitations. The design and installation of flashing and sealing systems are the responsibility of the architect, contractor, installer, and/or the manufacturer of the building exterior specified for the project.

- Apply flashing tape over *Installation Flange* at sill on Circle Top™, Quarter Round, and Elliptical Windows or on lower half of Circle and Oval Windows.
- Apply flashing tape over *Installation Flange* on the upper arch, overlapping flashing tape at sill, side or lower arch a minimum of 2".

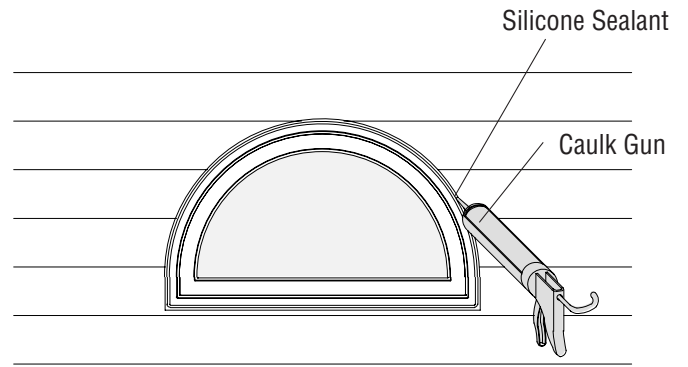


5. Insulate and Seal Unit

⚠ CAUTION

- When insulating between unit frame and rough opening, **DO NOT** over pack batt insulation or overfill with expandable foam. Bowed jambs may result, causing product performance problems and/or incorrect operation of unit.
- A minimum space of 1/4" is required around exterior perimeter of unit between the frame and exterior finish material to allow for material expansion.
- Masonry/Brick Veneer installations require a minimum 1/2" space along the sill and 1/4" space around remaining perimeter to allow for settling and expansion.

- Insulate between frame and rough opening on all sides. **DO NOT** over pack or overfill with insulation. Bowed jambs may result.
- Clean and prime around outside of unit where silicone sealant will be applied. Apply silicone sealant around exterior perimeter of window after siding (or other finish) is applied.



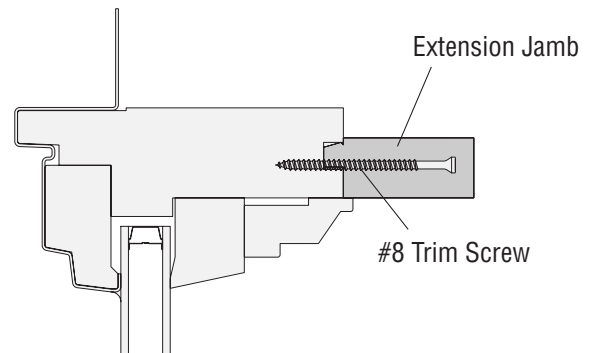
Exterior View

6. Apply Extension Jambs if Required

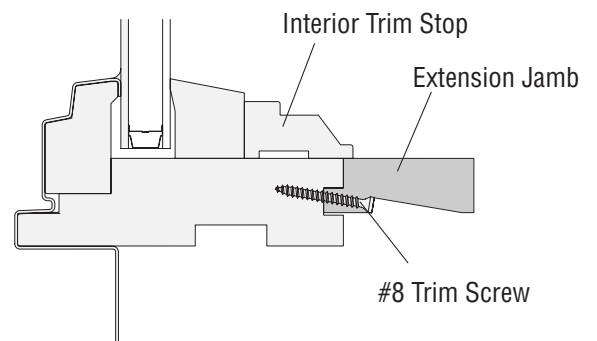
- Position *Extension Jamb* tongue into groove on frame. Hold *Extension Jamb* firmly in place and predrill using a 3/32" drill bit. Fasten *Extension Jamb* using appropriate length nail or screw.
- Ripping of *Extension Jambs* may be required to fit nonstandard wall depths. Contact your Andersen® supplier for further information.

Suggested Fastener Sizes

Wall Dimension	Fastener Size
4-9/16"	10d (3") Finish Nail or 3" Trim Screw
5-1/4"	10d (3") Finish Nail or 3" Trim Screw
6-9/16" & 7-1/8"	16d (3-1/2") Casing or Galvanized Nail or 3-1/2" Trim Screw



Cross Section Detail
Side/Arched Jamb



Cross Section Detail
Sill

Finishing, Cleaning, and Maintenance Instructions

CAUTION

- **DO NOT** expose unfinished wood to high moisture conditions, excessive heat or humidity. Finish interior wood surfaces immediately after installation. Unfinished wood surfaces will discolor, deteriorate, and/or may bow and split.
- **DO NOT** stain or paint weatherstrip, silicone beads, vinyl, glass, or hardware. Damage to product may occur and unit operation may be impaired.
- Acid solutions used to wash masonry/concrete will damage glass, fasteners, hardware, and metal flashing. If these solutions are used, follow the acid solution manufacturer's instructions carefully. Protect and/or cover Andersen products during the cleaning process to prevent acid contact. If acid does come in contact with unit, immediately wash all surfaces with clean water.

INTERIOR FINISHING

Read and follow finishing manufacturer's instructions and warnings on each container of finish material for priming, painting, staining, and varnishing.

CLEANING

Clean exterior frame, sash members, and insect screens using a mild detergent-and-water solution and a soft cloth or brush. **DO NOT** use abrasive cleaners or solutions containing corrosive solvents. For persistent dirt or grime, use a nonabrasive cleanser or a mixture of water and alcohol or ammonia.

MAINTENANCE

Immediately sand and refinish any interior wood that becomes stained or mildewed to prevent further discoloration and/or damage. For further information, contact your local Andersen dealer. Dealers can be found in the Yellow Pages under Windows.