

What's in This Section

2 Panel, 3 Panel, and Stationary	Page 5
Parts Illustration	5
Parts Illustration - Interior View	5
Parts Illustration - Exterior View	6
Parts Illustration - 2-Panel (ASR)	7
Parts Illustration - 2-Panel (AP)	8
Parts Illustration - 3-Panel (SASR)	9
Unit Sizes	10
Standard and Custom Door Sizes	10
400 Series Product Label	10
Unit Size Chart - Single Panel and 2-Panel Doors	11
Unit Size Chart - 3-Panel Doors	12
Panel Replacement Reference	13
Product History	14
Milestones	14
Panels - Active	15
Active Panel Graphic	15
Active Panel Size Table	16
Active Panels	17
Active Panel - High-Performance-Low-E4® Tempered Blinds Between Glass	17
Active Panel - High-Performance-Low-E4® Tempered	18
Active Panel - High-Performance-Low-E4® Smart Sun Tempered	21
Active Panel - High-Performance-Low-E4® Sun Tempered	22
Active Panel - High-Performance™ Sun II Tempered	25
Active Panel - High-Performance-Low-E4® Tempered Finelight™ Colonial	26
Panel Parts - Active	27
Panels - Passive	30
Passive Panel Graphic	30
Passive Panel Size Table	31
Passive Panels - Handle Activated (1993 to Present)	32
Passive Panel - High-Performance-Low-E4® Tempered Blinds Between Glass	32
Passive Panel - Handle Activated / High-Performance-Low-E4® Tempered	33
Passive Panel - Handle Activated / High-Performance-Low-E4® Smart Sun Temp ..	36
Passive Panel - Handle Activated / High-Performance-Low-E4® Sun Tempered ..	39
Passive Panel - Handle Activated / High-Performance™ Sun II Tempered	42
Passive Panel - Handle Activated / HP-Low-E4® Temp Finelight™ Colonial	43
Panel Astragal - Handle Activated (2004 to Present)	46
Panel Astragal - Handle Activated (1993 to 2003)	47

Astragal Parts	49
Panel Parts - Passive	50
Panels - Stationary/Sidelight	51
Stationary Panel Graphic	51
Stationary Panel Size Table	52
Stationary/Sidelight Panels	53
Stat/Side Panel - High-Performance-Low-E4 [®] Tempered Blinds Between Glass	53
Stationary/Sidelight Panel - High-Performance-Low-E4 [®] Tempered	54
Stationary/Sidelight Panel - High-Performance-Low-E4 [®] Smart Sun Tempered	57
Stationary/Sidelight Panel - High-Performance-Low-E4 [®] Sun Tempered	60
Stationary/Sidelight Panel - High-Performance™ Sun II Tempered	63
Stationary/Sidelight Panel - HP-Low-E4 [®] Tempered Finelight™ Colonial	64
Panel Stops - Stationary	67
Panel Astragal - Stationary	68
Panel Parts - Stationary/Sidelight	69
Shared Panel Parts	70
Cartons	70
Glass Stops	71
Gasket Weatherstrip	72
Watershed	73
Watershed Weatherstrip	73
Insect Screens	74
Insect Screen Graphic - Gliding	74
Insect Screens - Gliding (Universal)	75
Insect Screen Parts and Hardware - Gliding	76
Insect Screen Graphic - Hinged	79
Insect Screen - Hinged	80
Insect Screen Bug Strips - Hinged	82
Insect Screen Parts and Hardware - Hinged	83
Insect Screen Astragal - Hinged / Double	85
Double Insect Screen Track Kits	87
Double Insect Screen Tracks	90
Double Insect Screen Track Covers (Head)	91
Double Insect Screen Track Covers (Side)	92
Universal Insect Rescreening Kits	93
Grilles	94
Interior Grilles - Custom	94
Interior Grilles - Colonial / 7/8" Wood / Natural Interior	94
Interior Grilles - Colonial / 7/8" Wood / Prefinished Interior	96
Interior Grilles - Prairie A / 7/8" Wood / Natural Interior	97
Interior Grilles - Prairie A / 7/8" Wood / Prefinished Interior	99
Interior Grille Parts	100
Hardware	101

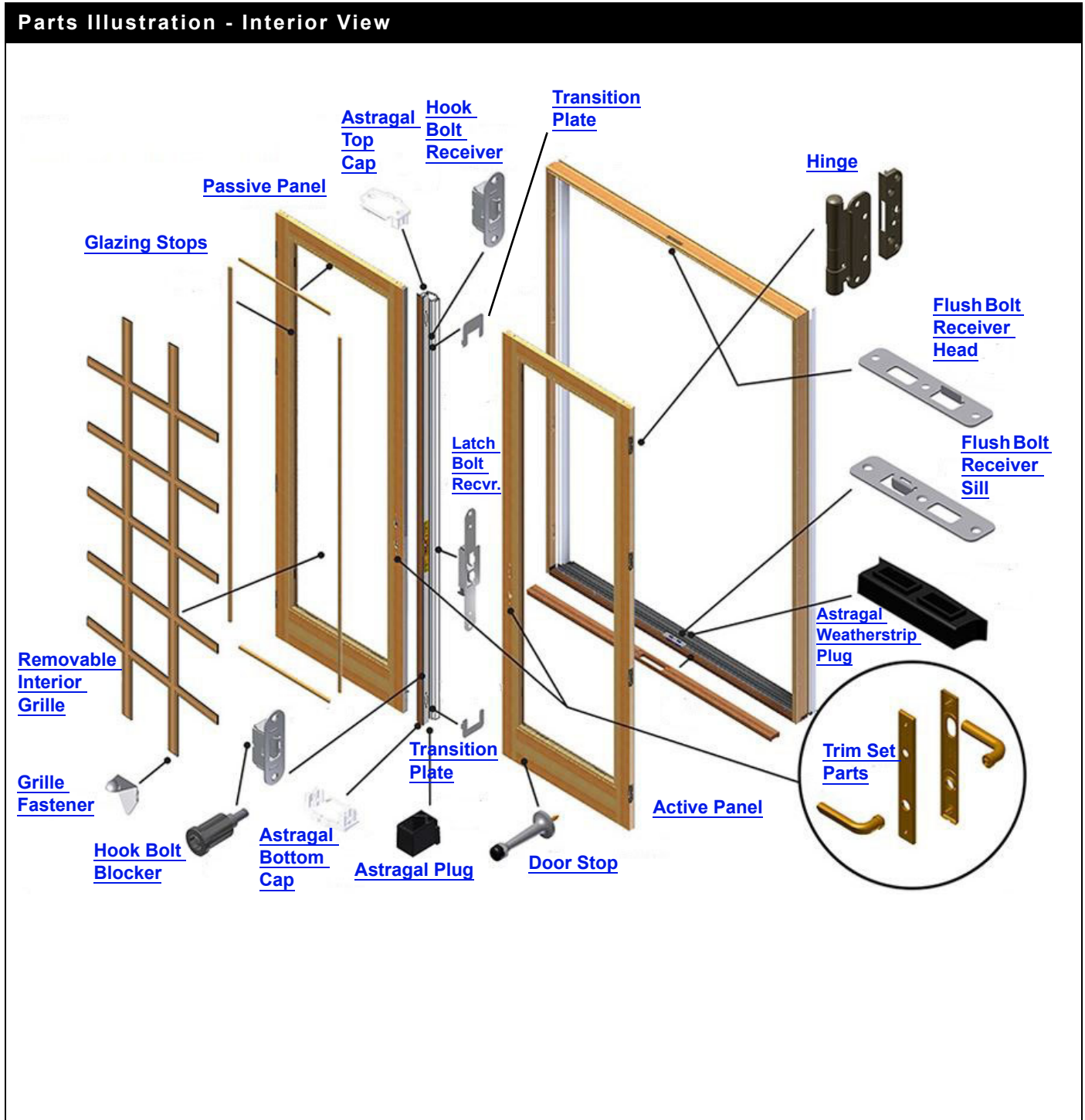
Half Trim Set Kits - Interior	101
Half Trim Set Kits - Exterior	102
Construction Trim Set	103
Hardware - Tribeca®	104
Hardware - Anvers®	108
Hardware - Albany	111
Hardware - Newbury®	114
Hardware - Covington™	118
Hardware - Whitmore®	121
Hardware - Encino®	125
Hardware - Yuma®	128
Hardware - FSB	131
Shared Trim Set Parts	135
Vintage Trim Set Hardware	140
Lock Mechanisms	141
Service Lock Mechanisms	143
Vintage Lock Mechanisms	144
Hook Bolt Parts	144
Vintage Hook Bolt Parts	145
Flush Bolt Parts	146
Vintage Flush Bolt Parts	147
Latch Bolt Parts	148
Vintage Latch Bolt Parts	149
Key Lock Parts	150
Hinge Parts	152
Vintage Hinge Parts	154
Installation Kits	157
Miscellaneous Hardware Parts	158
Vintage Miscellaneous Hardware Parts	159
Fasteners	160
Frames	162
Frame - Single Panel	162
Frames	163
Sill Components	164
Installation Flanges	166
Installation Kits	166
Astragal	167
Insect Screen Head Guide	168
Fastener Covers	169
Extension Jambs - Interior	171
Extension Jamb Kits - Exterior	176
Extension Jamb Covers	179
Sill Ramp Parts	180
Frame Parts	182

Joining Components	183
Fiberglass Joining Exploded View	183
Fiberglass Joining Kits	184
Fiberglass Joining Hardware Kits	185
Fiberglass Joining Kit Components	186
Narrow Mull Joining Kits	190
Support Mull Joining Kits	191
Aluminum Reinforced Joining Kit Components	192
Vintage LVL Joining Kit Components	193
Universal Drip Cap - Continuous	195
Art Glass Components	196
Art Glass Stops	196
Art Glass Hardware	196
Stormwatch® Protection (Coastal Product)	Page 197
Panels - Active	197
Panel - Active / Single (Impact Resistant)	197
Panel - Active / Double / AP (Impact Resistant)	197
Panel - Active / Double / PA (Impact Resistant)	198
Panels - Passive	199
Panel - Passive	199
Panel Astragal - Stainless Steel (Impact Resistant)	200
Panels - Stationary	201
Panel - Stationary (Impact Resistant)	201
Hardware	202
Lock Mechanism (Impact Resistant)	202
Frames	203
Complete Sill Assembly (Impact Resistant)	203
Head Jamb Assembly (Impact Resistant)	203
Side Jamb Assembly (Impact Resistant)	203
Sill Components (Impact Resistant)	203
Service Replacement	Page 205
Service Replacement Only Parts	205
Service Replacement Only Parts	205
Exterior Grilles	206
Exterior Grilles - Low Definition (LDN)	207
Exterior Grilles - High Definition (HDN)	207
Interior Grilles - High Definition (HDN)	208
Shims	210
Sill Drainage Channel	210
Service Guides	210

400 Series Frenchwood® Hinged Doors (1988 to Present)

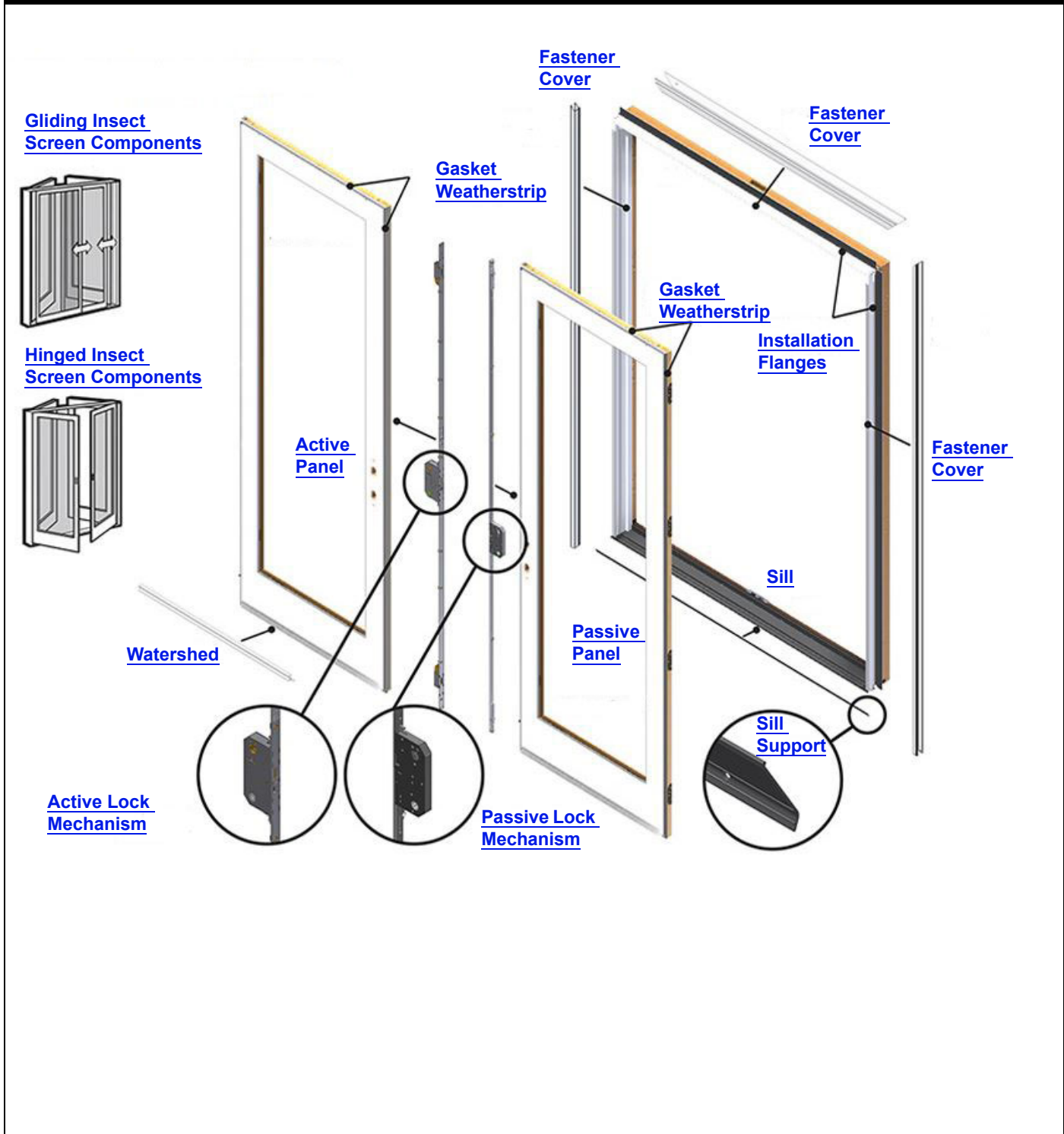
2 Panel, 3 Panel, and Stationary

Parts Illustration



Parts Illustration

Parts Illustration - Exterior View

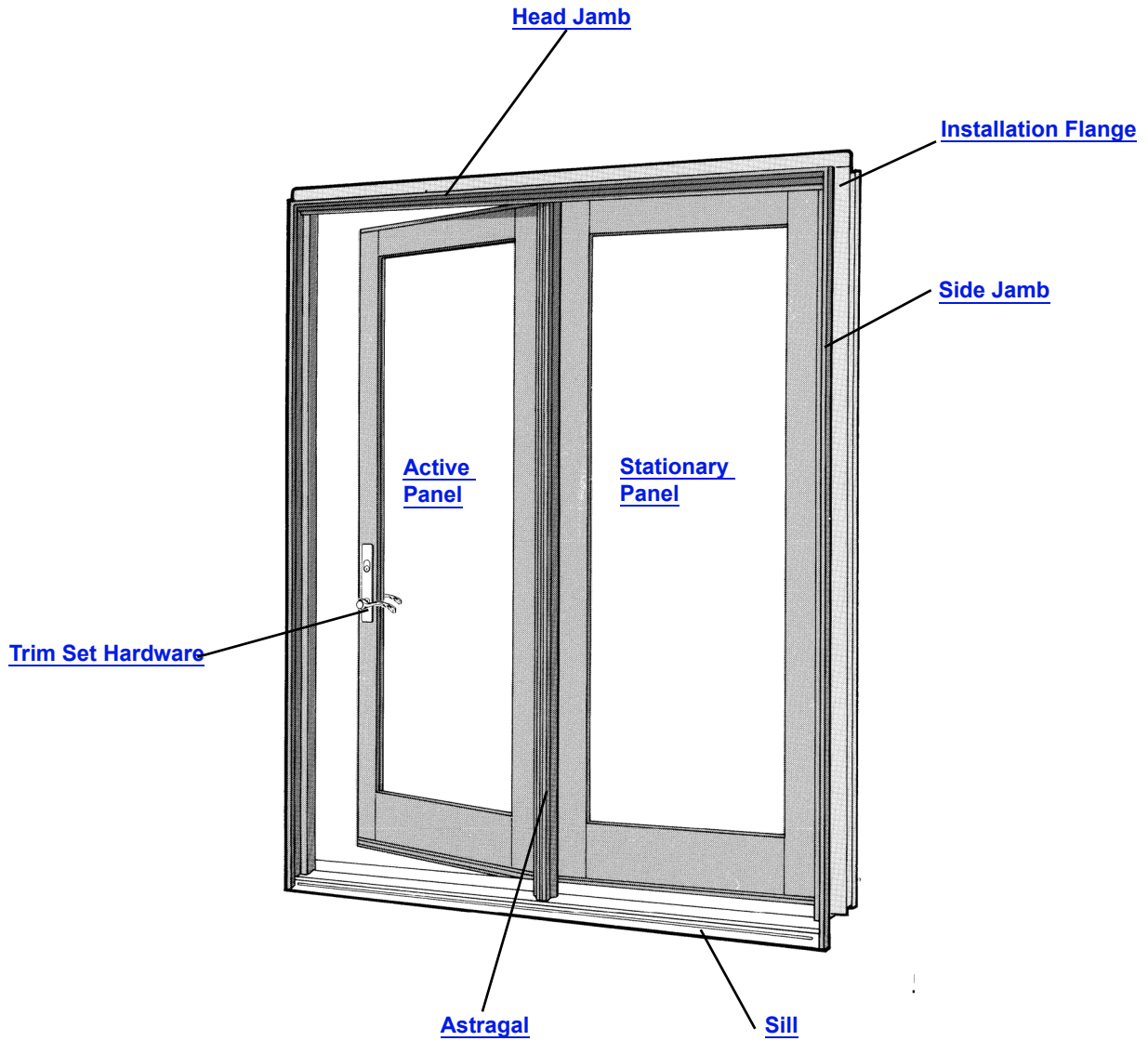


400 Series Frenchwood® Hinged Doors (1988 to Present)

2 Panel, 3 Panel, and Stationary

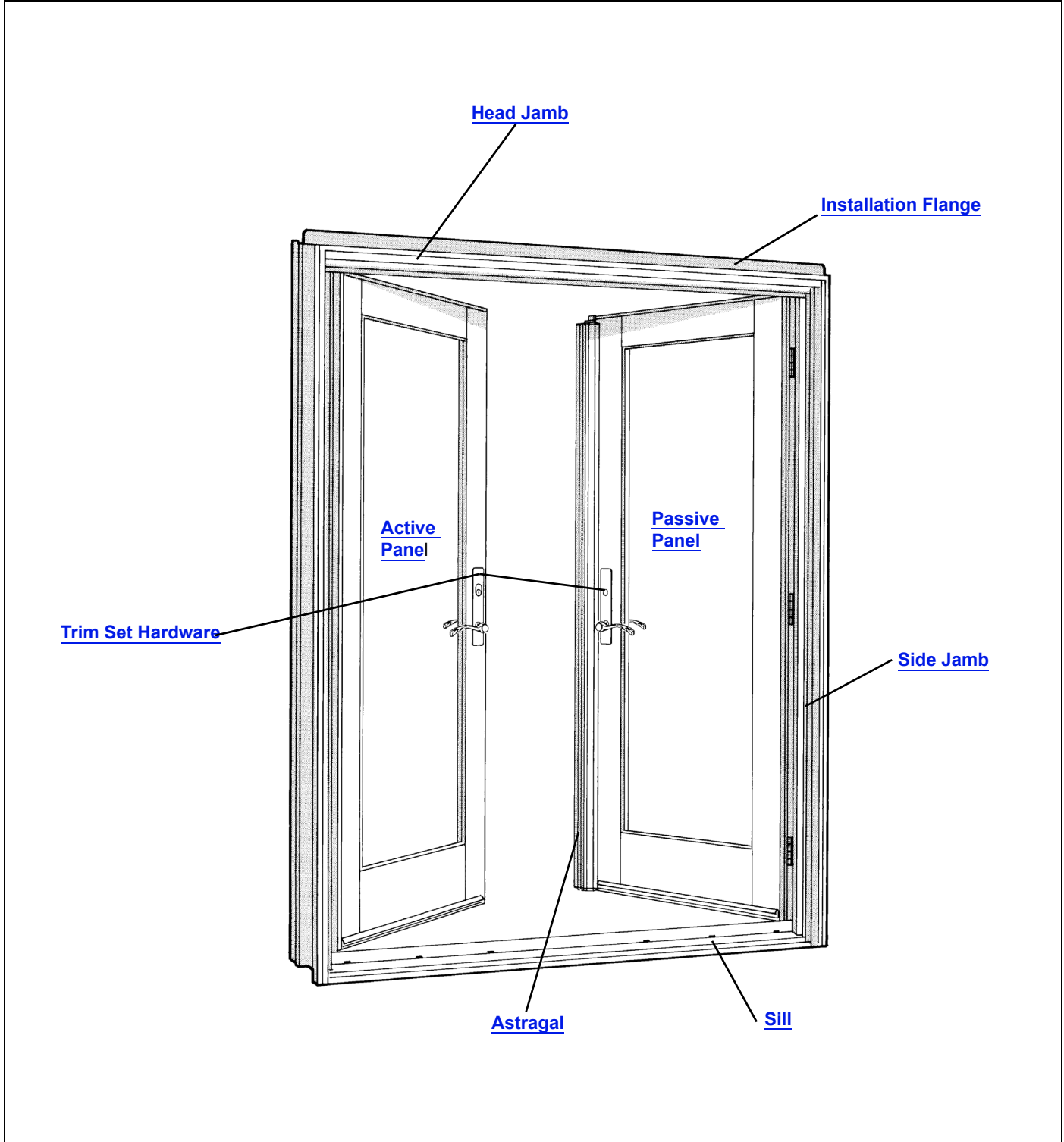
Parts Illustration

Parts Illustration - 2-Panel (ASR)



Parts Illustration

Parts Illustration - 2-Panel (AP)

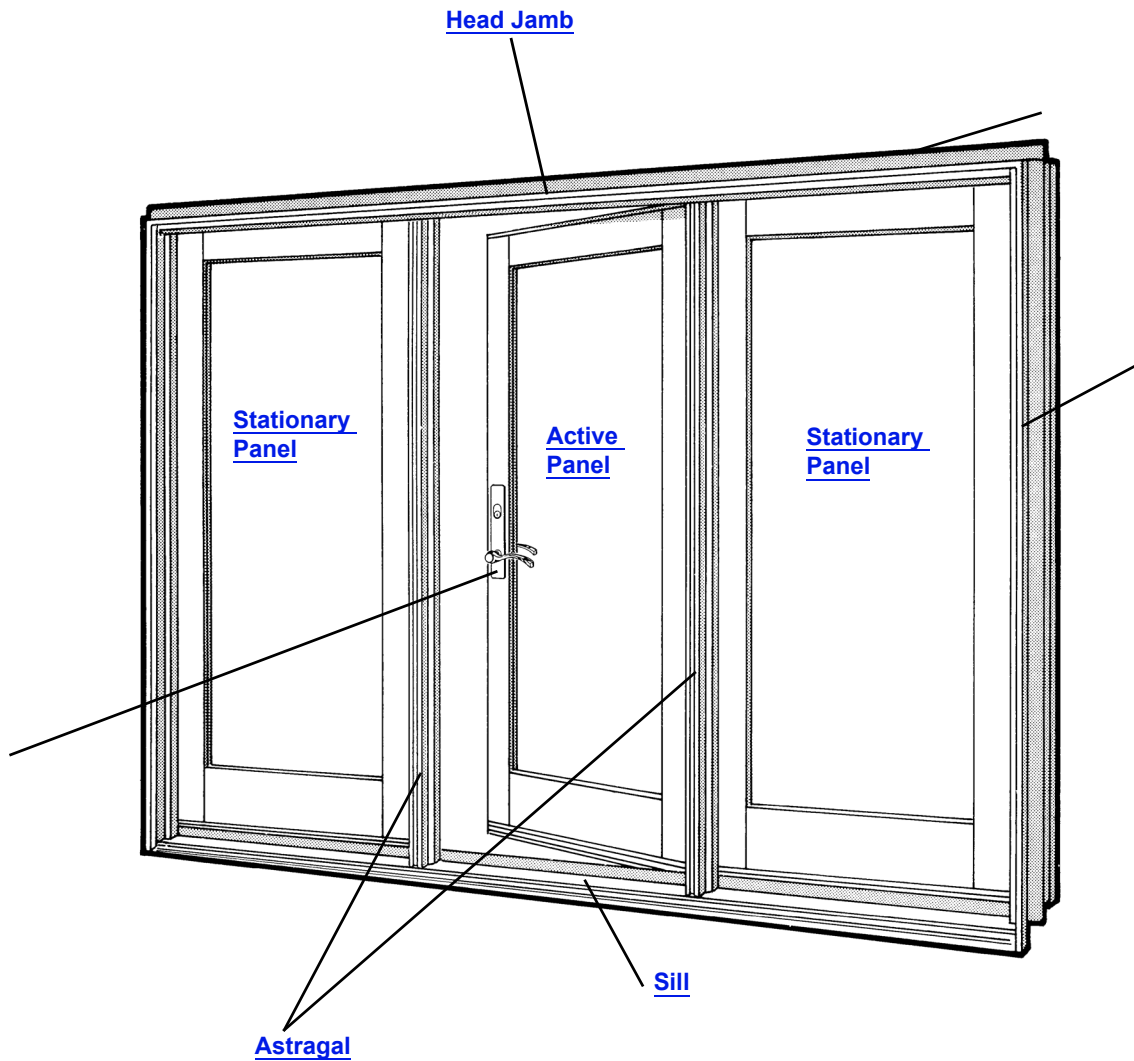


400 Series Frenchwood® Hinged Doors (1988 to Present)

2 Panel, 3 Panel, and Stationary

Parts Illustration

Parts Illustration - 3-Panel (SASR)



Unit Sizes

Standard and Custom Door Sizes

Note:

Frenchwood Hinged Doors are available in standard sizes (see standard size charts, [page 11](#)). Replacement parts for some standard doors can be ordered using the numbers listed in this catalog. Many replacement parts for standard doors are made to order. These items are ordered using the Product ID found on the identification label and a description of the part needed. See [Service Guide 9051877](#).

Frenchwood Hinged Doors are also available in custom sizes in 1/8" increments between the smallest and the largest standard sizes. Most replacement parts for custom-sized doors are made to order and can be ordered with the Product ID found on the identification label and a description of the part needed. See [Service Guide 9051877](#).

400 Series Product Label

Note:

Every Frenchwood Hinged Door will have an identification label **or** glass etching containing a unique Product ID. The Product ID on Frenchwood Hinged Door will be located at the top of the door frame or etched into the glass. See [Service Guide 9051877](#). The Product ID may be up to 14 digits long (excluding hyphens), depending on the age of the unit. Replacement parts will also get their own unique Product ID. When ordering replacement parts, providing the Product ID ensures that replacement parts match the specifications.

400 Series Frenchwood® Hinged Doors (1988 to Present)

2 Panel, 3 Panel, and Stationary

Unit Sizes

Unit Size Chart - Single Panel and 2-Panel Doors

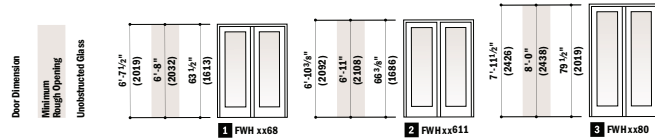
Note:

Unit Dimension refers to overall outside-to-outside frame.

Unobstructed Glass refers to visible glass dimensions. Numbers in parentheses are metric measurements.

See unit [Product Details](#). See [Measuring Visible Glass Video](#).

Three Patio Door Heights



Door Dimension	2'-0 1/2"	4'-0"	4'-0"
Minimum Rough Opening	2'-1"	4'-1"	4'-1"
Unobstructed Glass (single panel only)	13 1/4"	13 1/4"	13 1/4"
3 heights	1 2 3	1 2 3	1 2 3
Product Codes	FWH2168S FWH21611S FWH2180S	FWH4168APLR FWH41611APLR FWH4180APLR	FWH4168PALR FWH41611PALR FWH4180PALR

Custom-size doors are available in 1/8" (3) increments between the smallest and largest standard door sizes. **Measurement guide** can be found at andersenwindows.com/measure. Some restrictions apply. Contact your Andersen supplier for availability.

Door Dimension	2'-6 1/8"	2'-6 1/8"	2'-6 1/8"	4'-11 1/8"	4'-11 1/8"	4'-11 1/8"	4'-11 1/8"	4'-11 1/8"
Minimum Rough Opening	2'-7"	2'-7"	2'-7"	5'-0"	5'-0"	5'-0"	5'-0"	5'-0"
Unobstructed Glass (single panel only)	18 7/8"	18 7/8"	18 7/8"	18 7/8"	18 7/8"	18 7/8"	18 7/8"	18 7/8"
3 heights	1 2 3	1 2 3	1 2 3	1 2 3	1 2 3	1 2 3	1 2 3	1 2 3
Product Codes	FWH2768S FWH27611S FWH2780S	FWH2768AR FWH27611AR FWH2780AR	FWH2768AL FWH27611AL FWH2780AL	FWH5068SS FWH50611SS FWH5080SS	FWH5068ASR FWH50611ASR FWH5080ASR	FWH5068SAL FWH50611SAL FWH5080SAL	FWH5068APLR FWH50611APLR FWH5080APLR	FWH5068PALR FWH50611PALR FWH5080PALR

Stationary (S) doors can be used as an individual unit or as a sidelight.

Door Dimension	2'-8 1/8"	2'-8 1/8"	2'-8 1/8"	5'-3 1/4"	5'-3 1/4"	5'-3 1/4"	5'-3 1/4"	5'-3 1/4"
Minimum Rough Opening	2'-9"	2'-9"	2'-9"	5'-4"	5'-4"	5'-4"	5'-4"	5'-4"
Unobstructed Glass (single panel only)	20 7/8"	20 7/8"	20 7/8"	20 7/8"	20 7/8"	20 7/8"	20 7/8"	20 7/8"
3 heights	1 2 3	1 2 3	1 2 3	1 2 3	1 2 3	1 2 3	1 2 3	1 2 3
Product Codes	FWH2968S FWH29611S FWH2980S	FWH2968AR FWH29611AR FWH2980AR	FWH2968AL FWH29611AL FWH2980AL	FWH5468SS FWH54611SS FWH5480SS	FWH5468ASR FWH54611ASR FWH5480ASR	FWH5468SAL FWH54611SAL FWH5480SAL	FWH5468APLR FWH54611APLR FWH5480APLR	FWH5468PALR FWH54611PALR FWH5480PALR

Door Dimension	3'-0 1/8"	3'-0 1/8"	3'-0 1/8"	5'-11 1/8"	5'-11 1/8"	5'-11 1/8"	5'-11 1/8"	5'-11 1/8"
Minimum Rough Opening	3'-1"	3'-1"	3'-1"	6'-0"	6'-0"	6'-0"	6'-0"	6'-0"
Unobstructed Glass (single panel only)	24 7/8"	24 7/8"	24 7/8"	24 7/8"	24 7/8"	24 7/8"	24 7/8"	24 7/8"
3 heights	1 2 3	1 2 3	1 2 3	1 2 3	1 2 3	1 2 3	1 2 3	1 2 3
Product Codes	FWH3168S FWH31611S FWH3180S	FWH3168AR FWH31611AR FWH3180AR	FWH3168AL FWH31611AL FWH3180AL	FWH6068SS FWH60611SS FWH6080SS	FWH6068ASR FWH60611ASR FWH6080ASR	FWH6068SAL FWH60611SAL FWH6080SAL	FWH6068APLR FWH60611APLR FWH6080APLR	FWH6068PALR FWH60611PALR FWH6080PALR

* "Door Dimension" always refers to outside frame to frame dimension.
 * "Minimum Rough Opening" dimensions may need to be increased to allow for use of building wraps, flashing, sill panning, brackets, fasteners or other items.
 * Dimensions in parentheses are in millimeters.

Unit viewed from exterior.

Unit Sizes

Unit Size Chart - 3-Panel Doors

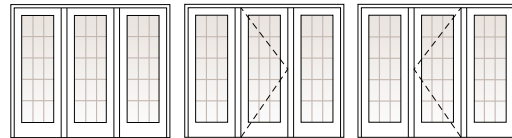
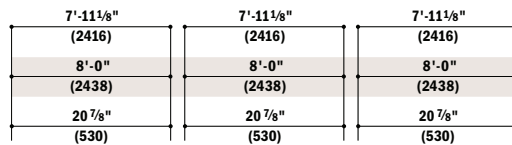
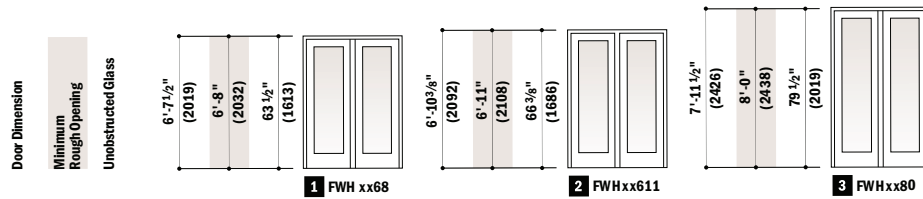
Note:

Unit Dimension refers to overall outside-to-outside frame.

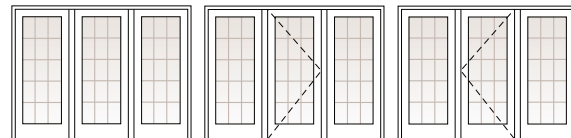
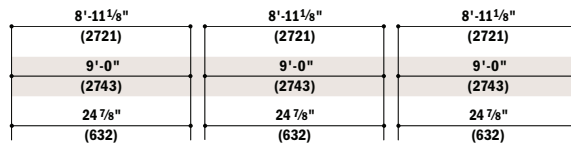
Unobstructed Glass refers to visible glass dimensions. Numbers in parentheses are metric measurements.

See [Measuring Visible Glass Video](#).

Three Patio Door Heights



FWH8068SSS FWH8068SASR FWH8068SASL
 FWH80611SSS FWH80611SASR FWH80611SASL
 FWH8080SSS FWH8080SASR FWH8080SASL



FWH9068SSS FWH9068SASR FWH9068SASL
 FWH90611SSS FWH90611SASR FWH90611SASL
 FWH9080SSS FWH9080SASR FWH9080SASL

- "Door Dimension" always refers to outside frame to frame dimension.
- "Minimum Rough Opening" dimensions may need to be increased to allow for use of building wraps, flashing, sill panning, brackets, fasteners or other items.
- Dimensions in parentheses are in millimeters.

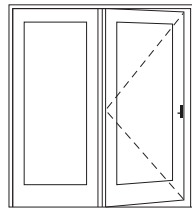
Unit viewed from exterior.

400 Series Frenchwood® Hinged Doors (1988 to Present)

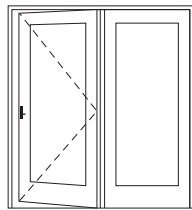
2 Panel, 3 Panel, and Stationary

Unit Sizes

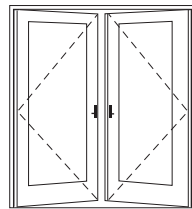
Panel Replacement Reference



FWH | **6068** | **S** | **A** | **L**
 Frenchwood® Hinged Inswing Patio Door | Door Rough Opening | Stationary Panel | Active Panel | Left Hinged



FWH | **6068** | **A** | **S** | **R**
 Frenchwood® Hinged Inswing Patio Door | Door Rough Opening | Active Panel | Stationary Panel | Right Hinged



FWH | **6068** | **A** | **P** | **L** | **R**
 Frenchwood® Hinged Inswing Patio Door | Door Rough Opening | Active Panel | Passive Panel | Left Hinged | Right Hinged

Unit viewed from exterior.

Product History

Milestones

- 2022** Interior White finish changed to painted finish. See [Bulletin 14.22](#)
- 2012** Decommission of Andersen® 400 Series Frenchwood® Patio Doors with Stormwatch® Protection.
- 2009** Albany Hardware in finishes of White, Stone, Gold Dust and Black introduced.
- 2007** Custom sizes introduced in Product Guide for Professionals. See [Standard and Custom Door Sizes](#).
- 2007** Factory assembled doors introduced.
- 2004** Hardware finishes of Distressed Bronze and Distressed Nickel introduced.
- 2004** Hardware collections with seven hardware styles introduced.
- 2003** Stormwatch® Protection (Coastal Product) with design pressure upgrades, glass options and structural enhancements introduced.
- 2001** Forest Green introduced.
- 2000** PI option (pre-finished inside) for panels and grilles introduced.
- 1999** Maple and Oak interiors introduced.
- 1998** Estate Style hardware (now called Newbury®) introduced.
- 1994** Hinged insect screens (double AP/PA) introduced.
- 1992** Exterior extension jambs introduced.
- 1991** Sandtone color introduced.
- 1991** Neutral color (gray) sill introduced.
- 1990** Hinged insect screens (single) introduced.
- 1990** Mull kits (narrow and support) introduced.
- 1990** Exterior sill extender introduced.
- 1990** Double jamb (AP/PA) doors introduced.
- 1988** Frenchwood® Hinged Doors introduced.

400 Series Frenchwood® Hinged Doors (1988 to Present)

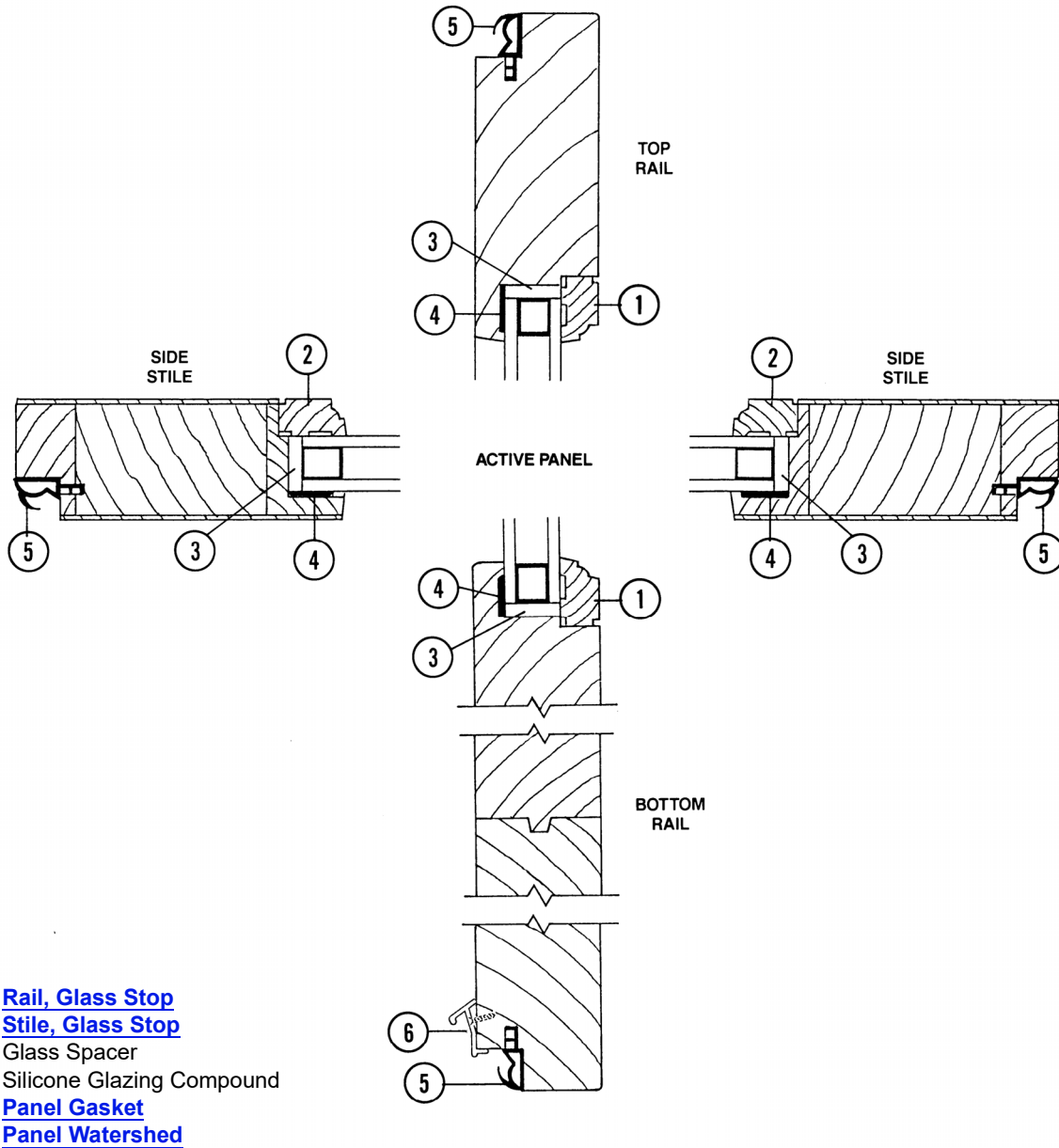
2 Panel, 3 Panel, and Stationary

Panels - Active

Active Panel Graphic

Note:

See panel [Product Details](#).



Frenchwood® Hinged Door Active Panel

Panels - Active

Active Panel Size Table

Note:

This product is not intended to be reglazed. Panels with defective glass should be replaced.

1" finelight profile is standard, with color matching exterior color of panel.

Maple and Oak finishes introduced in 1999.

White painted finish in 2000.

White PVC veneer wrap in 2001.

Overall Active Panel is measured outside edge to outside edge of frame.

Unobstructed Glass is dimension from outside edge to outside edge of visible glass only.

Actual Glass is dimension of outside edge to outside edge of glass, including glass that is not visible.

Guide to door types:

A: active panel; **P:** passive panel; **S:** stationary panel

Unit No.	Type	Overall Active Panel (w x h)	Unobstructed Glass (w x h)	Actual Glass (w x h)
FWH2168	A	22 1/8 x 76 15/32	13 1/4 x 63 1/2	14 3/8 x 64 9/16
FWH21611	A	22 1/8 x 79 11/32	13 1/4 x 66 3/8	14 3/8 x 67 9/16
FWH2176	A	22 1/8 x 86 15/32	13 1/4 x 73 1/2	14 3/8 x 74 9/16
FWH2180	A	22 1/8 x 92 15/32	13 1/4 x 79 1/2	14 3/8 x 80 9/16
FWH2768	A	27 3/4 x 76 15/32	18 7/8 x 63 1/2	20 x 64 9/16
FWH27611	A	27 3/4 x 79 11/32	18 7/8 x 66 3/8	20 x 67 9/16
FWH2776	A	27 3/4 x 86 15/32	18 7/8 x 73 1/2	20 x 74 9/16
FWH2780	A	27 3/4 x 92 15/32	18 7/8 x 79 1/2	20 x 80 9/16
FWH2968	A	29 3/4 x 76 15/32	20 7/8 x 63 1/2	22 x 64 9/16
FWH29611	A	29 3/4 x 79 11/32	20 7/8 x 66 3/8	22 x 67 9/16
FWH2976	A	29 3/4 x 86 15/32	20 7/8 x 73 1/2	22 x 74 9/16
FWH2980	A	29 3/4 x 92 15/32	20 7/8 x 79 1/2	22 x 80 9/16
FWH3168	A	33 3/4 x 76 15/32	24 7/8 x 63 1/2	26 x 64 9/16
FWH31611	A	33 3/4 x 79 11/32	24 7/8 x 66 3/8	26 x 67 9/16
FWH3176	A	33 3/4 x 86 15/32	24 7/8 x 73 1/2	26 x 74 9/16
FWH3180	A	33 3/4 x 92 15/32	24 7/8 x 79 1/2	26 x 80 9/16

400 Series Frenchwood® Hinged Doors (1988 to Present)

2 Panel, 3 Panel, and Stationary

Panels - Active

Active Panels

Note:

Active panels for custom sized doors are made to order. Product ID label is located on head jamb frame cover. Maple and oak finish introduced in 1999, prefinished white in 2000. Panel includes watershed and gasket. See iQ+ for additional glazing types available by description/configured. See [Service Guide 0005106](#).

To order, state:

1. Description of part (Active Panel)
2. Handing (RH or LH)
3. Quantity
4. Product ID (from product label, see [Service Guide 9051877](#).)
5. Options Desired (if different than original product)

Active Panel - High-Performance-Low-E4® Tempered Blinds Between Glass

Note:

Select sizes available in Pine.

Active Panel / High-Performance-Low-E4® Tempered BBG / Pine Interior (2019 to Present)

Unit No.		Exterior							
		White		Terratone®		Sandtone		Forest Green	
		Interior							
		PINE							
		Left	Right	Left	Right	Left	Right	Left	Right
27	FWH2768	By description	By description	By description	By description	By description	By description	By description	By description
	FWH27611	By description	By description	By description	By description	By description	By description	By description	By description
31	FWH3168	By description	By description	By description	By description	By description	By description	By description	By description
	FWH31611	By description	By description	By description	By description	By description	By description	By description	By description

Panels - Active

Active Panel - High-Performance-Low-E4® Tempered

Note:
Available in Pine, [Maple](#), [Oak](#) and [White](#).

Active Panel / High-Performance-Low-E4® Tempered / Pine Interior

Unit No.		Exterior							
		White		Terratone®		Sandtone		Forest Green	
		Interior							
		PINE							
		Left	Right	Left	Right	Left	Right	Left	Right
21	FWH2168	By description	By description	By description	By description	By description	By description	By description	By description
	FWH21611	By description	By description	By description	By description	By description	By description	By description	By description
	FWH2176	By description	By description	By description	By description	By description	By description	By description	By description
	FWH2180	By description	By description	By description	By description	By description	By description	By description	By description
27	FWH2768	2576404	2576402	2666404	2666402	0922004	0922002	By description	By description
	FWH27611	2576405	2576403	2666405	By description	0922005	0922003	By description	By description
	FWH2776	By description	By description	By description	By description	0923947	0923946	By description	By description
	FWH2780	2576604	2576602	2666604	2666602	0922204	0922202	By description	By description
29	FWH2968	2576410	2576408	2666410	2666408	0922010	0922008	By description	By description
	FWH29611	2576411	2576409	2666411	2666409	0922011	0922009	By description	By description
	FWH2976	By description	By description	By description	By description	By description	By description	By description	By description
	FWH2980	2576610	2576608	2666610	By description	0922210	0922208	By description	By description
31	FWH3168	2576416	2576414	2666416	2666414	0922016	0922014	1267019	1267020
	FWH31611	2576417	2576415	2666417	2666415	0922017	0922015	By description	By description
	FWH3176	By description	By description	By description	By description	By description	By description	By description	By description
	FWH3180	2576616	2576614	2666616	2666614	0922216	0922214	By description	By description


400 Series Frenchwood® Hinged Doors (1988 to Present)

2 Panel, 3 Panel, and Stationary

Panels - Active

Active Panel / High-Performance-Low-E4® Tempered / Maple Interior									
Unit No.		Exterior							
		White	Terratone®	Sandtone		Forest Green			
		Interior							
		MAPLE							
		Left	Right	Left	Right	Left	Right	Left	Right
21	FWH2168	By description	By description	By description	By description	By description	By description	By description	By description
	FWH21611	By description	By description	By description	By description	By description	By description	By description	By description
	FWH2176	By description	By description	By description	By description	By description	By description	By description	By description
	FWH2180	By description	By description	By description	By description	By description	By description	By description	By description
27	FWH2768	By description	By description	By description	By description	By description	By description	By description	By description
	FWH27611	By description	By description	By description	By description	By description	By description	By description	By description
	FWH2776	By description	By description	By description	By description	By description	By description	By description	By description
	FWH2780	By description	By description	By description	By description	By description	By description	By description	By description
29	FWH2968	By description	By description	By description	By description	By description	By description	By description	By description
	FWH29611	By description	By description	By description	By description	By description	By description	By description	By description
	FWH2976	By description	By description	By description	By description	By description	By description	By description	By description
	FWH2980	By description	By description	By description	By description	By description	By description	By description	By description
31	FWH3168	2576788	By description	By description	By description	By description	0922190	By description	By description
	FWH31611	By description	By description	By description	By description	By description	By description	By description	By description
	FWH3176	By description	By description	By description	By description	By description	0922191	By description	By description
	FWH3180	By description	By description	By description	By description	By description	By description	By description	By description

Panels - Active

Active Panel / High-Performance-Low-E4® Tempered / Oak Interior									
Unit No.		Exterior							
		White		Terratone®		Sandtone		Forest Green	
		Interior							
									
		Left	Right	Left	Right	Left	Right	Left	Right
21	FWH2168	By description	By description	By description	By description	By description	By description	By description	By description
	FWH21611	By description	By description	By description	By description	By description	By description	By description	By description
	FWH2176	By description	By description	By description	By description	By description	By description	By description	By description
	FWH2180	By description	By description	By description	By description	By description	By description	By description	By description
27	FWH2768	2576715	By description	By description	By description	By description	By description	By description	By description
	FWH27611	By description	By description	By description	By description	By description	By description	By description	By description
	FWH2776	By description	By description	By description	By description	By description	By description	By description	By description
	FWH2780	By description	By description	By description	By description	By description	By description	By description	By description
29	FWH2968	By description	By description	By description	By description	By description	By description	By description	By description
	FWH29611	By description	By description	By description	By description	By description	By description	By description	By description
	FWH2976	By description	By description	By description	By description	By description	By description	By description	By description
	FWH2980	By description	By description	By description	By description	By description	By description	By description	By description
31	FWH3168	2576727	2576725	2666532	2666530	0922132	0922130	By description	By description
	FWH31611	By description	By description	By description	By description	By description	By description	By description	By description
	FWH3176	By description	By description	By description	By description	By description	By description	By description	By description
	FWH3180	By description	By description	By description	By description	By description	By description	By description	By description

Active Panel / High-Performance-Low-E4® Tempered / Interior White										
Unit No.		Exterior				Exterior				
		White				White				
		Interior				Interior				
		White				White				
		Left	Right			Unit No.	Left	Right		
21	FWH2168	By description	By description	29	FWH2968	2578654	2578655			
	FWH21611	By description	By description		FWH29611	2578656	2578657			
	FWH2176	By description	By description		FWH2976	By description	By description			
	FWH2180	By description	By description		FWH2980	By description	2578659			
27	FWH2768	2578648	2578649	31	FWH3168	2578660	2578661			
	FWH27611	2578650	2578651		FWH31611	2578662	2578663			
	FWH2776	By description	By description		FWH3176	By description	By description			
	FWH2780	2578652	2578653		FWH3180	2578664	2578665			

400 Series Frenchwood® Hinged Doors (1988 to Present)

2 Panel, 3 Panel, and Stationary

Panels - Active

Active Panel - High-Performance-Low-E4® Smart Sun Tempered

Active Panel / High-Performance-Low-E4® Smart Sun Tempered

Note:

High-Performance™ Smart Sun Tempered Active Panels in Pine, Maple, Oak and Interior White are available by description.

Panels - Active

Active Panel - High-Performance-Low-E4® Sun Tempered

Note:
Available in Pine, [Maple](#), [Oak](#) and [White](#).

Active Panel / High-Performance-Low-E4® Sun Tempered / Pine Interior

Unit No.		Exterior							
		White		Terratone®		Sandtone		Forest Green	
		Interior							
		PINE							
		Left	Right	Left	Right	Left	Right	Left	Right
21	FWH2168	By description	By description	By description	By description	By description	By description	By description	By description
	FWH21611	By description	By description	By description	By description	By description	By description	By description	By description
	FWH2176	By description	By description	By description	By description	By description	By description	By description	By description
	FWH2180	By description	By description	By description	By description	By description	By description	By description	By description
27	FWH2768	2576834	2576832	2666834	2666832	0922404	0922402	By description	By description
	FWH27611	By description	By description	By description	By description	By description	By description	By description	By description
	FWH2776	By description	By description	By description	By description	By description	By description	By description	By description
	FWH2780	By description	By description	By description	By description	By description	0922602	By description	By description
29	FWH2968	2576840	2576838	2666840	2666838	0922410	0922408	By description	By description
	FWH29611	2576841	By description	2666841	By description	By description	By description	By description	By description
	FWH2976	By description	By description	By description	By description	By description	By description	By description	By description
	FWH2980	2577040	By description	By description	By description	By description	By description	By description	By description
31	FWH3168	2576846	2576844	2666846	2666844	0922416	0922414	By description	By description
	FWH31611	2576847	2576845	2666847	By description	0922417	0922415	By description	By description
	FWH3176	By description	By description	By description	By description	By description	By description	By description	By description
	FWH3180	2577046	2577044	2667046	2667044	0922616	0922614	By description	By description


400 Series Frenchwood® Hinged Doors (1988 to Present)

2 Panel, 3 Panel, and Stationary

Panels - Active

Active Panel / High-Performance-Low-E4® Sun Tempered / Maple Interior									
Unit No.		Exterior							
		White	Terratone®	Sandtone		Forest Green			
		Interior							
		MAPLE							
		Left	Right	Left	Right	Left	Right	Left	Right
21	FWH2168	By description	By description	By description	By description	By description	By description	By description	By description
	FWH21611	By description	By description	By description	By description	By description	By description	By description	By description
	FWH2176	By description	By description	By description	By description	By description	By description	By description	By description
	FWH2180	By description	By description	By description	By description	By description	By description	By description	By description
27	FWH2768	By description	By description	By description	By description	By description	By description	By description	By description
	FWH27611	By description	By description	By description	By description	By description	By description	By description	By description
	FWH2776	By description	By description	By description	By description	By description	By description	By description	By description
	FWH2780	By description	By description	By description	By description	By description	By description	By description	By description
29	FWH2968	By description	By description	By description	By description	By description	By description	By description	By description
	FWH29611	By description	By description	By description	By description	By description	By description	By description	By description
	FWH2976	By description	By description	By description	By description	By description	By description	By description	By description
	FWH2980	By description	By description	By description	By description	By description	By description	By description	By description
31	FWH3168	By description	By description	By description	By description	By description	By description	By description	By description
	FWH31611	By description	By description	By description	By description	By description	By description	By description	By description
	FWH3176	By description	By description	By description	By description	By description	By description	By description	By description
	FWH3180	By description	By description	By description	By description	By description	By description	By description	By description

Panels - Active

Active Panel / High-Performance-Low-E4® Sun Tempered / Oak Interior									
Unit No.		Exterior							
		White		Terratone®		Sandtone		Forest Green	
		Interior							
									
		Left	Right	Left	Right	Left	Right	Left	Right
21	FWH2168	By description	By description	By description	By description	By description	By description	By description	By description
	FWH21611	By description	By description	By description	By description	By description	By description	By description	By description
	FWH2176	By description	By description	By description	By description	By description	By description	By description	By description
	FWH2180	By description	By description	By description	By description	By description	By description	By description	By description
27	FWH2768	By description	By description	By description	By description	By description	By description	By description	By description
	FWH27611	By description	By description	By description	By description	By description	By description	By description	By description
	FWH2776	By description	By description	By description	By description	By description	By description	By description	By description
	FWH2780	By description	By description	By description	By description	By description	By description	By description	By description
29	FWH2968	By description	By description	By description	By description	By description	By description	By description	By description
	FWH29611	By description	By description	By description	By description	By description	By description	By description	By description
	FWH2976	By description	By description	By description	By description	By description	By description	By description	By description
	FWH2980	By description	By description	By description	By description	By description	By description	By description	By description
31	FWH3168	By description	By description	By description	By description	By description	By description	By description	By description
	FWH31611	By description	By description	By description	By description	By description	By description	By description	By description
	FWH3176	By description	By description	By description	By description	By description	By description	By description	By description
	FWH3180	By description	By description	By description	By description	By description	By description	By description	By description

Active Panel / High-Performance-Low-E4® Sun Tempered / Interior White									
Unit No.		Exterior				Exterior			
		White				White			
		Interior				Interior			
		White				White			
		Left	Right			Left	Right		
21	FWH2168	By description	By description	29	FWH2968	By description	By description		
	FWH21611	By description	By description		FWH29611	By description	By description		
	FWH2176	By description	By description		FWH2976	By description	By description		
	FWH2180	By description	By description		FWH2980	By description	By description		
27	FWH2768	By description	By description	31	FWH3168	2578349	2578350		
	FWH27611	By description	By description		FWH31611	2578351	By description		
	FWH2776	By description	By description		FWH3176	By description	By description		
	FWH2780	By description	By description		FWH3180	2578353	2578354		

400 Series Frenchwood® Hinged Doors (1988 to Present)

2 Panel, 3 Panel, and Stationary

Panels - Active

Active Panel - High-Performance™ Sun II Tempered

Panels - Active / High-Performance™ Sun II Tempered

Note:

High-Performance™ Sun II Tempered Active Panels in Pine, Maple, Oak, and Interior White are available by description.

Panels - Active

Active Panel - High-Performance-Low-E4® Tempered Finelight™ Colonial

Note:
Available in Pine, [Maple](#), [Oak](#) and [White](#).

Panel - Active / High-Performance-Low-E4® Tempered Finelight™ Colonial / Pine Interior

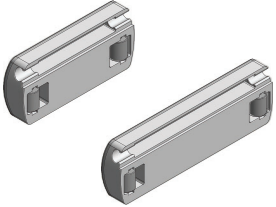
Unit No.		Exterior							
		White		Terratone®		Sandtone		Forest Green	
		Interior							
		PINE							
		Left	Right	Left	Right	Left	Right	Left	Right
21	FWH2168	By description	By description	By description	By description	By description	By description	By description	By description
	FWH21611	By description	By description	By description	By description	By description	By description	By description	By description
	FWH2176	By description	By description	By description	By description	By description	By description	By description	By description
	FWH2180	By description	By description	By description	By description	By description	By description	By description	By description
27	FWH2768	By description	By description	By description	By description	By description	By description	By description	By description
	FWH27611	By description	By description	By description	By description	By description	By description	By description	By description
	FWH2776	By description	By description	By description	By description	By description	By description	By description	By description
	FWH2780	By description	By description	By description	By description	By description	By description	By description	By description
29	FWH2968	By description	2576426	By description	By description	By description	0922026	By description	By description
	FWH29611	By description	By description	By description	By description	By description	By description	By description	By description
	FWH2976	By description	By description	By description	By description	By description	By description	By description	By description
	FWH2980	By description	By description	By description	By description	By description	By description	By description	By description
31	FWH3168	2576430	2576431	2666430	2666431	0922030	0922031	By description	By description
	FWH31611	2576445	2576446	By description	By description	0922045	0922046	By description	By description
	FWH3176	By description	By description	By description	By description	By description	By description	By description	By description
	FWH3180	By description	By description	By description	By description	By description	By description	By description	By description

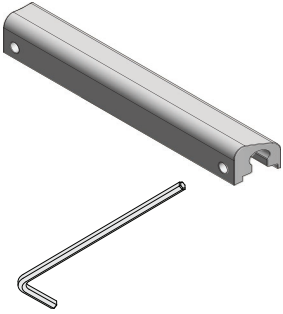
400 Series Frenchwood® Hinged Doors (1988 to Present)

2 Panel, 3 Panel, and Stationary

Panels - Active

Panel Parts - Active

Operator Kit W/End Cap - Blinds Between the Glass					
Tilt/Height Adjustment		Unit No.	Color	Type	Order No.
		All	White	Tilt/Height	9179702

Intermediate Stop Kit - Blinds Between the Glass					
Note: See Accessory Guide 9184899 . Kit includes intermediate stop, hex key and set screws.					
		Unit No.	Color	Type	Order No.
		FWD	White	Strike	9184901

Panels - Active

Panel - Active / High-Performance-Low-E4® Tempered Finelight™ Colonial / Maple Interior									
Unit No.		Exterior							
		White		Terratone®		Sandtone		Forest Green	
		Interior							
		MAPLE							
		Left	Right	Left	Right	Left	Right	Left	Right
21	FWH2168	By description	By description	By description	By description	By description	By description	By description	By description
	FWH21611	By description	By description	By description	By description	By description	By description	By description	By description
	FWH2176	By description	By description	By description	By description	By description	By description	By description	By description
	FWH2180	By description	By description	By description	By description	By description	By description	By description	By description
27	FWH2768	By description	By description	By description	By description	By description	By description	By description	By description
	FWH27611	By description	By description	By description	By description	By description	By description	By description	By description
	FWH2776	By description	By description	By description	By description	By description	By description	By description	By description
	FWH2780	By description	By description	By description	By description	By description	By description	By description	By description
29	FWH2968	By description	By description	By description	By description	By description	By description	By description	By description
	FWH29611	By description	By description	By description	By description	By description	By description	By description	By description
	FWH2976	By description	By description	By description	By description	By description	By description	By description	By description
	FWH2980	By description	By description	By description	By description	By description	By description	By description	By description
31	FWH3168	By description	By description	By description	By description	By description	By description	By description	By description
	FWH31611	By description	By description	By description	By description	By description	By description	By description	By description
	FWH3176	By description	By description	By description	By description	By description	By description	By description	By description
	FWH3180	By description	By description	By description	By description	By description	By description	By description	By description

400 Series Frenchwood® Hinged Doors (1988 to Present)

2 Panel, 3 Panel, and Stationary

Panels - Active

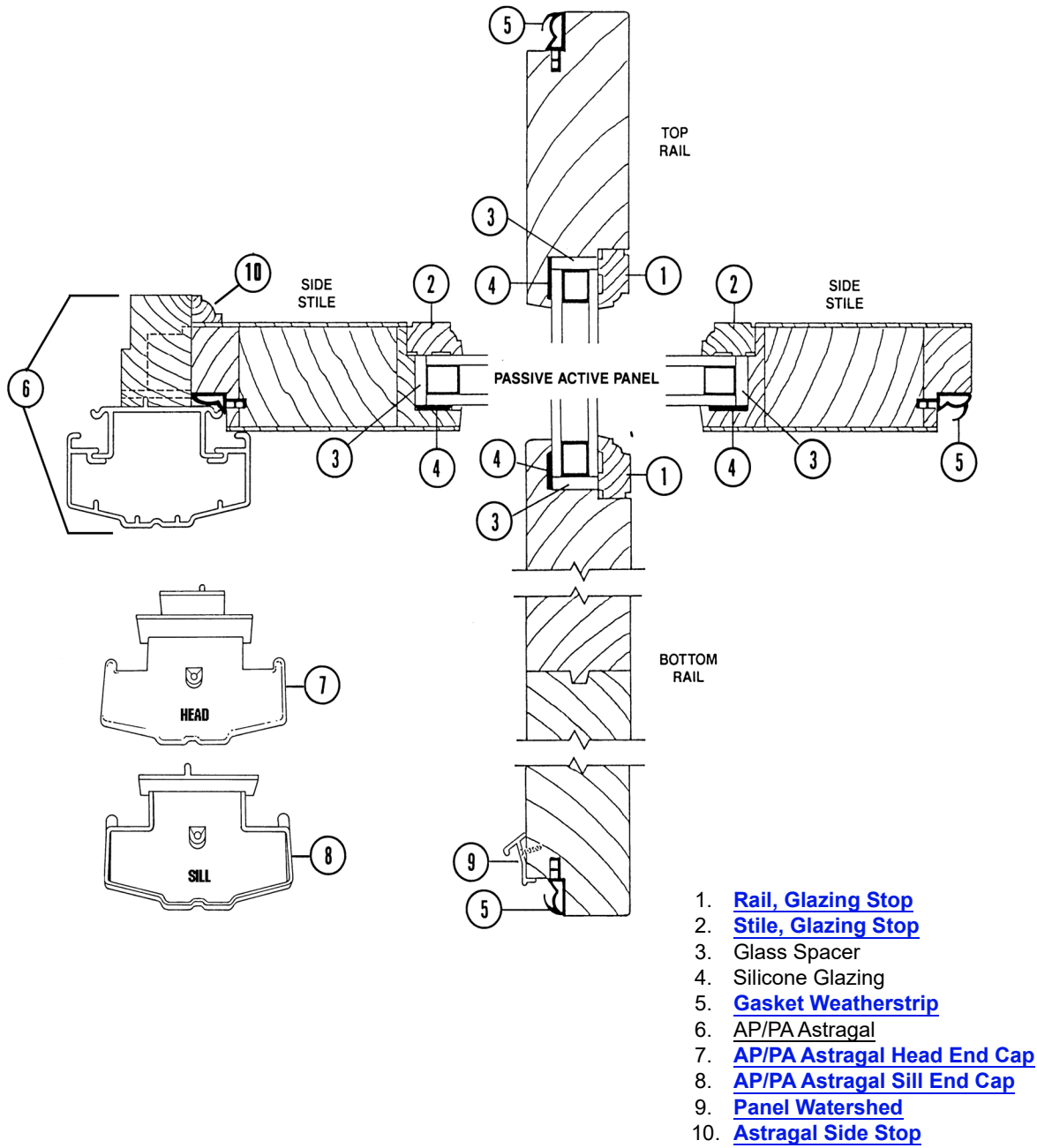
Panel - Active / High-Performance-Low-E4® Tempered Finelight™ Colonial / Oak Interior									
Unit No.		Exterior							
		White		Terratone®		Sandtone		Forest Green	
		Interior							
		<div style="background-color: #d2b48c; padding: 5px; display: inline-block; border: 1px solid black;"> OAK </div>							
		Left	Right	Left	Right	Left	Right	Left	Right
21	FWH2168	By description	By description	By description	By description	By description	By description	By description	By description
	FWH21611	By description	By description	By description	By description	By description	By description	By description	By description
	FWH2176	By description	By description	By description	By description	By description	By description	By description	By description
	FWH2180	By description	By description	By description	By description	By description	By description	By description	By description
27	FWH2768	By description	By description	By description	By description	By description	By description	By description	By description
	FWH27611	By description	By description	By description	By description	By description	By description	By description	By description
	FWH2776	By description	By description	By description	By description	By description	By description	By description	By description
	FWH2780	By description	By description	By description	By description	By description	By description	By description	By description
29	FWH2968	By description	By description	By description	By description	By description	By description	By description	By description
	FWH29611	By description	By description	By description	By description	By description	By description	By description	By description
	FWH2976	By description	By description	By description	By description	By description	By description	By description	By description
	FWH2980	By description	By description	By description	By description	By description	By description	By description	By description
31	FWH3168	2576887	2576888	By description	By description	By description	By description	By description	By description
	FWH31611	By description	By description	By description	By description	By description	By description	By description	By description
	FWH3176	By description	By description	By description	By description	By description	By description	By description	By description
	FWH3180	By description	By description	By description	By description	By description	By description	By description	By description

Panel - Active / High-Performance-Low-E4® Tempered Finelight™ Colonial / Interior White							
Unit No.		Exterior		Unit No.		Exterior	
		White				White	
		Interior				Interior	
		White				White	
		Left	Right			Left	Right
21	FWH2168	By description	By description	29	FWH2968	By description	By description
	FWH21611	By description	By description		FWH29611	By description	By description
	FWH2176	By description	By description		FWH2976	By description	By description
	FWH2180	By description	By description		FWH2980	By description	By description
27	FWH2768	By description	By description	31	FWH3168	2578147	2578148
	FWH27611	By description	By description		FWH31611	2578149	2578150
	FWH2776	By description	By description		FWH3176	By description	By description
	FWH2780	By description	By description		FWH3180	2578151	By description

Panels - Passive

Passive Panel Graphic

Note:
See panel [Product Details](#).



Frenchwood® Hinged Door AP/PA Passive Panel

400 Series Frenchwood® Hinged Doors (1988 to Present)

2 Panel, 3 Panel, and Stationary

Panels - Passive

Passive Panel Size Table

Note:

This product is not intended to be reglazed. Panels with defective glass should be replaced.
 1" finelight profile is standard, with color matching exterior color of panel.
 Maple and Oak finishes introduced in 1999.
 White painted finish in 2000.
 White PVC veneer wrap in 2001.

Overall Passive Panel is measured outside edge to outside edge of frame.

Unobstructed Glass is dimension from outside edge to outside edge of visible glass only.

Actual Glass is dimension of outside edge to outside edge of glass, including glass that is not visible.

Guide to door types

A: active panel; **P:** passive panel; **S:** stationary panel

Unit No.	Type	Overall Passive Panel (w x h)	Unobstructed Glass (w x h)	Actual Glass (w x h)
FWH2168	P	22 1/8 x 76 15/32	13 1/4 x 63 1/2	14 3/8 x 64 9/16
FWH21611	P	22 1/8 x 79 11/32	13 1/4 x 66 3/8	14 3/8 x 67 9/16
FWH2176	P	22 1/8 x 86 15/32	13 1/4 x 73 1/2	14 3/8 x 74 9/16
FWH2180	P	22 1/8 x 92 15/32	13 1/4 x 79 1/2	14 3/8 x 80 9/16
FWH2768	P	27 3/4 x 76 15/32	18 7/8 x 63 1/2	20 x 64 9/16
FWH27611	P	27 3/4 x 79 11/32	18 7/8 x 66 3/8	20 x 67 9/16
FWH2776	P	27 3/4 x 86 15/32	18 7/8 x 73 1/2	20 x 74 9/16
FWH2780	P	27 3/4 x 92 15/32	18 7/8 x 79 1/2	20 x 80 9/16
FWH2968	P	29 3/4 x 76 15/32	20 7/8 x 63 1/2	22 x 64 9/16
FWH29611	P	29 3/4 x 79 11/32	20 7/8 x 66 3/8	22 x 67 9/16
FWH2976	P	29 3/4 x 86 15/32	20 7/8 x 73 1/2	22 x 74 9/16
FWH2980	P	29 3/4 x 92 15/32	20 7/8 x 79 1/2	22 x 80 9/16
FWH3168	P	33 3/4 x 76 15/32	24 7/8 x 63 1/2	26 x 64 9/16
FWH31611	P	33 3/4 x 79 11/32	24 7/8 x 66 3/8	26 x 67 9/16
FWH3176	P	33 3/4 x 86 15/32	24 7/8 x 73 1/2	26 x 74 9/16
FWH3180	P	33 3/4 x 92 15/32	24 7/8 x 79 1/2	26 x 80 9/16

Panels - Passive

Passive Panels - Handle Activated (1993 to Present)

Note:

Passive panels for custom sized doors are made to order. Product ID label is located on head jamb frame cover. Maple and oak finish introduced in 1999, prefinished white in 2000. Panel includes watershed and gasket. See iQ+ for additional glazing types available by description/configured.

To order, state:

1. Description of part (Passive Panel)
2. Handing (RH or LH)
3. Quantity
4. Product ID (from product label, see [Service Guide 9051877](#).)
5. Options Desired (if different than original product)

Passive Panel - High-Performance-Low-E4® Tempered Blinds Between Glass

Note:

Select sizes available in Pine.

Passive Panel / High-Performance-Low-E4® Tempered BBG / Pine Interior (2019 to Present)

Unit No.		Exterior							
		White		Terratone®		Sandtone		Forest Green	
		Interior							
		PINE							
		Left	Right	Left	Right	Left	Right	Left	Right
27	FWH2768	By description	By description	By description	By description	By description	By description	By description	By description
	FWH27611	By description	By description	By description	By description	By description	By description	By description	By description
31	FWH3168	By description	By description	By description	By description	By description	By description	By description	By description
	FWH31611	By description	By description	By description	By description	By description	By description	By description	By description

400 Series Frenchwood® Hinged Doors (1988 to Present)

2 Panel, 3 Panel, and Stationary

Panels - Passive

Passive Panel - Handle Activated / High-Performance-Low-E4® Tempered

Note:

Available in Pine, [Maple](#), [Oak](#) and [White](#).

Passive Panel / High-Performance™ Low-E4® Tempered with Handle Activated Head and Foot Bolts (1993 to Present) / Pine

Unit No.		Exterior							
		White		Terratone®		Sandtone		Forest Green	
		Interior							
		PINE							
Unit No.		Left	Right	Left	Right	Left	Right	Left	Right
21	FWH2168	By description	By description	By description	By description	By description	By description	By description	By description
	FWH21611	By description	By description	By description	By description	By description	By description	By description	By description
	FWH2176	By description	By description	By description	By description	By description	By description	By description	By description
	FWH2180	By description	By description	By description	By description	By description	By description	By description	By description
27	FWH2768	2576503	2576505	2666503	2666505	0922103	0922105	By description	By description
	FWH27611	2576506	2576508	By description	By description	0922110	By description	By description	By description
	FWH2776	By description	By description	By description	By description	By description	By description	By description	By description
	FWH2780	2576703	2576705	By description	2666705	By description	By description	By description	By description
29	FWH2968	By description	2576517	By description	2666517	0922116	0922117	By description	By description
	FWH29611	By description	2576513	By description	By description	By description	By description	By description	By description
	FWH2976	By description	By description	By description	By description	By description	By description	By description	By description
	FWH2980	By description	2576713	By description	2666708	By description	By description	By description	By description
31	FWH3168	2576507	2576509	2666507	2666509	0922107	0922109	By description	By description
	FWH31611	2576514	2576515	2666514	2666515	0922114	0922115	By description	By description
	FWH3176	By description	By description	By description	By description	By description	By description	By description	By description
	FWH3180	2576707	2576709	By description	2666709	0922307	0922309	By description	By description

Panels - Passive

Passive Panel / High-Performance™ Low-E4® Tempered with Handle Activated Head and Foot Bolts (1993 to Present) / Maple									
Unit No.		Exterior							
		White	Terratone®		Sandtone		Forest Green		
		Interior							
		MAPLE							
		Left	Right	Left	Right	Left	Right	Left	Right
21	FWH2168	By description	By description	By description	By description	By description	By description	By description	By description
	FWH21611	By description	By description	By description	By description	By description	By description	By description	By description
	FWH2176	By description	By description	By description	By description	By description	By description	By description	By description
	FWH2180	By description	By description	By description	By description	By description	By description	By description	By description
27	FWH2768	By description	By description	By description	By description	By description	By description	By description	By description
	FWH27611	By description	By description	By description	By description	By description	By description	By description	By description
	FWH2776	By description	By description	By description	By description	By description	By description	By description	By description
	FWH2780	By description	By description	By description	By description	By description	By description	By description	By description
29	FWH2968	By description	By description	By description	By description	By description	By description	By description	By description
	FWH29611	By description	By description	By description	By description	By description	By description	By description	By description
	FWH2976	By description	By description	By description	By description	By description	By description	By description	By description
	FWH2980	By description	By description	By description	By description	By description	By description	By description	By description
31	FWH3168	By description	By description	By description	By description	By description	By description	By description	By description
	FWH31611	By description	By description	By description	By description	By description	By description	By description	By description
	FWH3176	By description	By description	By description	By description	By description	By description	By description	By description
	FWH3180	By description	By description	By description	By description	By description	By description	By description	By description

400 Series Frenchwood® Hinged Doors (1988 to Present)

2 Panel, 3 Panel, and Stationary

Panels - Passive

Passive Panel / High-Performance™ Low-E4® Tempered with Handle Activated Head and Foot Bolts (1993 to Present) / Oak									
Unit No.		Exterior							
		White		Terratone®		Sandtone		Forest Green	
		Interior							
		<div style="background-color: #d2b48c; padding: 5px; display: inline-block; border: 1px solid black;"> OAK </div>							
		Left	Right	Left	Right	Left	Right	Left	Right
21	FWH2168	By description	By description	By description	By description	By description	By description	By description	By description
	FWH21611	By description	By description	By description	By description	By description	By description	By description	By description
	FWH2176	By description	By description	By description	By description	By description	By description	By description	By description
	FWH2180	By description	By description	By description	By description	By description	By description	By description	By description
27	FWH2768	By description	By description	By description	By description	By description	By description	By description	By description
	FWH27611	By description	By description	By description	By description	By description	By description	By description	By description
	FWH2776	By description	By description	By description	By description	By description	By description	By description	By description
	FWH2780	By description	By description	By description	By description	By description	By description	By description	By description
29	FWH2968	By description	By description	By description	By description	By description	By description	By description	By description
	FWH29611	By description	By description	By description	By description	By description	By description	By description	By description
	FWH2976	By description	By description	By description	By description	By description	By description	By description	By description
	FWH2980	By description	By description	By description	By description	By description	By description	By description	By description
31	FWH3168	By description	2576752	By description	By description	By description	By description	By description	By description
	FWH31611	By description	By description	By description	By description	By description	By description	By description	By description
	FWH3176	By description	By description	By description	By description	By description	By description	By description	By description
	FWH3180	By description	By description	By description	By description	By description	By description	By description	By description

Passive Panel / High-Performance™ Low-E4® Tempered with Handle Activated Head and Foot Bolts (1993 to Present) / Interior White							
Unit No.		Exterior		Unit No.		Exterior	
		White				White	
		Interior				Interior	
		White				White	
		Left	Right			Left	Right
21	FWH2168	By description	By description	29	FWH2968	By description	By description
	FWH21611	By description	By description		FWH29611	By description	By description
	FWH2176	By description	By description		FWH2976	By description	By description
	FWH2180	By description	By description		FWH2980	By description	By description
27	FWH2768	2578672	2578673	31	FWH3168	2578684	2578685
	FWH27611	By description	By description		FWH31611	2578686	2578687
	FWH2776	By description	By description		FWH3176	By description	By description
	FWH2780	2578676	By description		FWH3180	2578688	2578689

Panels - Passive

Passive Panel - Handle Activated / High-Performance-Low-E4® Smart Sun Temp

Note:
Available in Pine, [Maple](#), [Oak](#) and [White](#).

Passive Panel / High-Performance™ Low-E4® Smart Sun Tempered with Handle Activated Head and Foot Bolts (1993 to Present) / Pine

Unit No.		Exterior							
		White		Terratone®		Sandtone		Forest Green	
		Interior							
		PINE							
		Left	Right	Left	Right	Left	Right	Left	Right
21	FWH2168	By description	By description	By description	By description	By description	By description	By description	By description
	FWH21611	By description	By description	By description	By description	By description	By description	By description	By description
	FWH2176	By description	By description	By description	By description	By description	By description	By description	By description
	FWH2180	By description	By description	By description	By description	By description	By description	By description	By description
27	FWH2768	By description	By description	By description	By description	By description	By description	By description	By description
	FWH27611	By description	By description	By description	By description	By description	By description	By description	By description
	FWH2776	By description	By description	By description	By description	By description	By description	By description	By description
	FWH2780	By description	By description	By description	By description	By description	By description	By description	By description
29	FWH2968	By description	By description	By description	By description	By description	By description	By description	By description
	FWH29611	By description	By description	By description	By description	By description	By description	By description	By description
	FWH2976	By description	By description	By description	By description	By description	By description	By description	By description
	FWH2980	By description	By description	By description	By description	By description	By description	By description	By description
31	FWH3168	By description	By description	By description	By description	By description	By description	By description	By description
	FWH31611	By description	By description	By description	By description	By description	By description	By description	By description
	FWH3176	By description	By description	By description	By description	By description	By description	By description	By description
	FWH3180	By description	By description	By description	By description	By description	By description	By description	By description

400 Series Frenchwood® Hinged Doors (1988 to Present)

2 Panel, 3 Panel, and Stationary

Panels - Passive

Passive Panel / High-Performance™ Low-E4® Smart Sun Tempered with Handle Activated Head and Foot Bolts (1993 to Present) / Maple									
Unit No.		Exterior							
		White		Terratone®		Sandtone		Forest Green	
		Interior							
		MAPLE							
		Left	Right	Left	Right	Left	Right	Left	Right
21	FWH2168	By description	By description	By description	By description	By description	By description	By description	By description
	FWH21611	By description	By description	By description	By description	By description	By description	By description	By description
	FWH2176	By description	By description	By description	By description	By description	By description	By description	By description
	FWH2180	By description	By description	By description	By description	By description	By description	By description	By description
27	FWH2768	By description	By description	By description	By description	By description	By description	By description	By description
	FWH27611	By description	By description	By description	By description	By description	By description	By description	By description
	FWH2776	By description	By description	By description	By description	By description	By description	By description	By description
	FWH2780	By description	By description	By description	By description	By description	By description	By description	By description
29	FWH2968	By description	By description	By description	By description	By description	By description	By description	By description
	FWH29611	By description	By description	By description	By description	By description	By description	By description	By description
	FWH2976	By description	By description	By description	By description	By description	By description	By description	By description
	FWH2980	By description	By description	By description	By description	By description	By description	By description	By description
31	FWH3168	By description	By description	By description	By description	By description	By description	By description	By description
	FWH31611	By description	By description	By description	By description	By description	By description	By description	By description
	FWH3176	By description	By description	By description	By description	By description	By description	By description	By description
	FWH3180	By description	By description	By description	By description	By description	By description	By description	By description

Panels - Passive

Passive Panel / High-Performance™ Low-E4® Smart Sun Tempered with Handle Activated Head and Foot Bolts (1993 to Present) / Oak									
Unit No.		Exterior							
		White		Terratone®		Sandtone		Forest Green	
		Interior							
		OAK							
		Left	Right	Left	Right	Left	Right	Left	Right
21	FWH2168	By description	By description	By description	By description	By description	By description	By description	By description
	FWH21611	By description	By description	By description	By description	By description	By description	By description	By description
	FWH2176	By description	By description	By description	By description	By description	By description	By description	By description
	FWH2180	By description	By description	By description	By description	By description	By description	By description	By description
27	FWH2768	By description	By description	By description	By description	By description	By description	By description	By description
	FWH27611	By description	By description	By description	By description	By description	By description	By description	By description
	FWH2776	By description	By description	By description	By description	By description	By description	By description	By description
	FWH2780	By description	By description	By description	By description	By description	By description	By description	By description
29	FWH2968	By description	By description	By description	By description	By description	By description	By description	By description
	FWH29611	By description	By description	By description	By description	By description	By description	By description	By description
	FWH2976	By description	By description	By description	By description	By description	By description	By description	By description
	FWH2980	By description	By description	By description	By description	By description	By description	By description	By description
31	FWH3168	By description	By description	By description	By description	By description	By description	By description	By description
	FWH31611	By description	By description	By description	By description	By description	By description	By description	By description
	FWH3176	By description	By description	By description	By description	By description	By description	By description	By description
	FWH3180	By description	By description	By description	By description	By description	By description	By description	By description

Passive Panel / High-Performance™ Low-E4® Smart Sun Tempered with Handle Activated Head and Foot Bolts (1993 to Present) / Interior White									
Unit No.		Exterior				Exterior			
		White				White			
		Interior				Interior			
		White				White			
		Left	Right			Left	Right		
21	FWH2168	By description	By description	29	FWH2968	By description	By description		
	FWH21611	By description	By description		FWH29611	By description	By description		
	FWH2176	By description	By description		FWH2976	By description	By description		
	FWH2180	By description	By description		FWH2980	By description	By description		
27	FWH2768	By description	By description	31	FWH3168	By description	By description		
	FWH27611	By description	By description		FWH31611	By description	By description		
	FWH2776	By description	By description		FWH3176	By description	By description		
	FWH2780	By description	By description		FWH3180	By description	By description		

400 Series Frenchwood® Hinged Doors (1988 to Present)

2 Panel, 3 Panel, and Stationary

Panels - Passive

Passive Panel - Handle Activated / High-Performance-Low-E4® Sun Tempered

Note:

Available in Pine, [Maple](#), [Oak](#) and [White](#).

Passive Panel / High-Performance™ Low-E4® Sun Tempered with Handle Activated Head and Foot Bolts (1993 to Present) / Pine

Unit No.		Exterior							
		White		Terratone®		Sandtone		Forest Green	
		Interior							
		PINE							
		Left	Right	Left	Right	Left	Right	Left	Right
21	FWH2168	By description	By description	By description	By description	By description	By description	By description	By description
	FWH21611	By description	By description	By description	By description	By description	By description	By description	By description
	FWH2176	By description	By description	By description	By description	By description	By description	By description	By description
	FWH2180	By description	By description	By description	By description	By description	By description	By description	By description
27	FWH2768	By description	2576935	By description	By description	0922503	By description	By description	By description
	FWH27611	By description	By description	By description	By description	By description	By description	By description	By description
	FWH2776	By description	By description	By description	By description	By description	By description	By description	By description
	FWH2780	By description	By description	By description	By description	0922703	By description	By description	By description
29	FWH2968	By description	2576906	By description	By description	By description	By description	By description	By description
	FWH29611	By description	By description	By description	By description	By description	By description	By description	By description
	FWH2976	By description	By description	By description	By description	By description	By description	By description	By description
	FWH2980	By description	By description	By description	By description	By description	By description	By description	By description
31	FWH3168	2576937	2576939	2666937	2666939	0922507	0922509	By description	By description
	FWH31611	By description	2576945	By description	By description	By description	By description	By description	By description
	FWH3176	By description	By description	By description	By description	By description	By description	By description	By description
	FWH3180	2577137	2577139	2667137	2667139	By description	0922709	By description	By description

Panels - Passive

Passive Panel / High-Performance™ Low-E4® Sun Tempered with Handle Activated Head and Foot Bolts (1993 to Present) / Maple									
Unit No.		Exterior							
		White		Terratone®		Sandtone		Forest Green	
		Interior							
		MAPLE							
		Left	Right	Left	Right	Left	Right	Left	Right
21	FWH2168	By description	By description	By description	By description	By description	By description	By description	By description
	FWH21611	By description	By description	By description	By description	By description	By description	By description	By description
	FWH2176	By description	By description	By description	By description	By description	By description	By description	By description
	FWH2180	By description	By description	By description	By description	By description	By description	By description	By description
27	FWH2768	By description	By description	By description	By description	By description	By description	By description	By description
	FWH27611	By description	By description	By description	By description	By description	By description	By description	By description
	FWH2776	By description	By description	By description	By description	By description	By description	By description	By description
	FWH2780	By description	By description	By description	By description	By description	By description	By description	By description
29	FWH2968	By description	By description	By description	By description	By description	By description	By description	By description
	FWH29611	By description	By description	By description	By description	By description	By description	By description	By description
	FWH2976	By description	By description	By description	By description	By description	By description	By description	By description
	FWH2980	By description	By description	By description	By description	By description	By description	By description	By description
31	FWH3168	By description	By description	By description	By description	By description	By description	By description	By description
	FWH31611	By description	By description	By description	By description	By description	By description	By description	By description
	FWH3176	By description	By description	By description	By description	By description	By description	By description	By description
	FWH3180	By description	By description	By description	By description	By description	By description	By description	By description

400 Series Frenchwood® Hinged Doors (1988 to Present)

2 Panel, 3 Panel, and Stationary

Panels - Passive

Passive Panel / High-Performance™ Low-E4® Sun Tempered with Handle Activated Head and Foot Bolts (1993 to Present) / Oak									
Unit No.		Exterior							
		White		Terratone®		Sandtone		Forest Green	
		Interior							
		<div style="background-color: #d2b48c; padding: 5px; display: inline-block; border: 1px solid black;"> OAK </div>							
		Left	Right	Left	Right	Left	Right	Left	Right
21	FWH2168	By description	By description	By description	By description	By description	By description	By description	By description
	FWH21611	By description	By description	By description	By description	By description	By description	By description	By description
	FWH2176	By description	By description	By description	By description	By description	By description	By description	By description
	FWH2180	By description	By description	By description	By description	By description	By description	By description	By description
27	FWH2768	By description	By description	By description	By description	By description	By description	By description	By description
	FWH27611	By description	By description	By description	By description	By description	By description	By description	By description
	FWH2776	By description	By description	By description	By description	By description	By description	By description	By description
	FWH2780	By description	By description	By description	By description	By description	By description	By description	By description
29	FWH2968	By description	By description	By description	By description	By description	By description	By description	By description
	FWH29611	By description	By description	By description	By description	By description	By description	By description	By description
	FWH2976	By description	By description	By description	By description	By description	By description	By description	By description
	FWH2980	By description	By description	By description	By description	By description	By description	By description	By description
31	FWH3168	By description	By description	By description	By description	By description	By description	By description	By description
	FWH31611	By description	By description	By description	By description	By description	By description	By description	By description
	FWH3176	By description	By description	By description	By description	By description	By description	By description	By description
	FWH3180	By description	By description	By description	By description	By description	By description	By description	By description

Passive Panel / High-Performance™ Low-E4® Sun Tempered with Handle Activated Head and Foot Bolts (1993 to Present) / Interior White							
Unit No.		Exterior		Unit No.		Exterior	
		White				White	
		Interior				Interior	
		White				White	
		Left	Right			Left	Right
21	FWH2168	By description	By description	29	FWH2968	By description	By description
	FWH21611	By description	By description		FWH29611	By description	By description
	FWH2176	By description	By description		FWH2976	By description	By description
	FWH2180	By description	By description		FWH2980	By description	By description
27	FWH2768	By description	By description	31	FWH3168	2578373	2578374
	FWH27611	By description	By description		FWH31611	By description	By description
	FWH2776	By description	By description		FWH3176	By description	By description
	FWH2780	By description	By description		FWH3180	By description	By description

Panels - Passive

Passive Panel - Handle Activated / High-Performance™ Sun II Tempered

Passive Panel / Handle Activated / High-Performance™ Sun II Tempered

Note:

High-Performance™ Sun II Tempered Passive Panels in Pine, Maple, Oak and Interior White are available by description.

400 Series Frenchwood® Hinged Doors (1988 to Present)

2 Panel, 3 Panel, and Stationary

Panels - Passive

Passive Panel - Handle Activated / HP-Low-E4® Temp Finelight™ Colonial

Note:

Available in Pine, [Maple](#), [Oak](#) and [White](#).

Passive Panel / High-Performance-Low-E4® Tempered Finelight™ Colonial with Handle Activated Head and Foot Bolts (1993 to Present) / Pine

Unit No.		Exterior							
		White		Terratone®		Sandtone		Forest Green	
		Interior							
		PINE							
		Left	Right	Left	Right	Left	Right	Left	Right
21	FWH2168	By description	By description	By description	By description	By description	By description	By description	By description
	FWH21611	By description	By description	By description	By description	By description	By description	By description	By description
	FWH2176	By description	By description	By description	By description	By description	By description	By description	By description
	FWH2180	By description	By description	By description	By description	By description	By description	By description	By description
27	FWH2768	By description	By description	By description	By description	By description	By description	By description	By description
	FWH27611	By description	By description	By description	By description	By description	By description	By description	By description
	FWH2776	By description	By description	By description	By description	By description	By description	By description	By description
	FWH2780	By description	By description	By description	By description	By description	By description	By description	By description
29	FWH2968	By description	By description	By description	By description	By description	By description	By description	By description
	FWH29611	By description	By description	By description	By description	By description	By description	By description	By description
	FWH2976	By description	By description	By description	By description	By description	By description	By description	By description
	FWH2980	By description	By description	By description	By description	By description	By description	By description	By description
31	FWH3168	2576433	2576434	By description	By description	By description	By description	By description	By description
	FWH31611	By description	2576449	By description	By description	By description	By description	By description	By description
	FWH3176	By description	By description	By description	By description	By description	By description	By description	By description
	FWH3180	By description	By description	By description	By description	By description	By description	By description	By description

Panels - Passive

Passive Panel / High-Performance-Low-E4® Tempered Finelight™ Colonial with Handle Activated Head and Foot Bolts (1993 to Present) / Maple									
Unit No.		Exterior							
		White	Terratone®		Sandtone		Forest Green		
		Interior							
		MAPLE							
		Left	Right	Left	Right	Left	Right	Left	Right
21	FWH2168	By description	By description	By description	By description	By description	By description	By description	By description
	FWH21611	By description	By description	By description	By description	By description	By description	By description	By description
	FWH2176	By description	By description	By description	By description	By description	By description	By description	By description
	FWH2180	By description	By description	By description	By description	By description	By description	By description	By description
27	FWH2768	By description	By description	By description	By description	By description	By description	By description	By description
	FWH27611	By description	By description	By description	By description	By description	By description	By description	By description
	FWH2776	By description	By description	By description	By description	By description	By description	By description	By description
	FWH2780	By description	By description	By description	By description	By description	By description	By description	By description
29	FWH2968	By description	By description	By description	By description	By description	By description	By description	By description
	FWH29611	By description	By description	By description	By description	By description	By description	By description	By description
	FWH2976	By description	By description	By description	By description	By description	By description	By description	By description
	FWH2980	By description	By description	By description	By description	By description	By description	By description	By description
31	FWH3168	By description	By description	By description	By description	By description	By description	By description	By description
	FWH31611	By description	By description	By description	By description	By description	By description	By description	By description
	FWH3176	By description	By description	By description	By description	By description	By description	By description	By description
	FWH3180	By description	By description	By description	By description	By description	By description	By description	By description

400 Series Frenchwood® Hinged Doors (1988 to Present)

2 Panel, 3 Panel, and Stationary

Panels - Passive

Passive Panel / High-Performance-Low-E4® Tempered Finelight™ Colonial with Handle Activated Head and Foot Bolts (1993 to Present) / Oak									
Unit No.		Exterior							
		White		Terratone®		Sandtone		Forest Green	
		Interior							
		<div style="background-color: #d2b48c; padding: 5px; display: inline-block;"> OAK </div>							
		Left	Right	Left	Right	Left	Right	Left	Right
21	FWH2168	By description	By description	By description	By description	By description	By description	By description	By description
	FWH21611	By description	By description	By description	By description	By description	By description	By description	By description
	FWH2176	By description	By description	By description	By description	By description	By description	By description	By description
	FWH2180	By description	By description	By description	By description	By description	By description	By description	By description
27	FWH2768	By description	By description	By description	By description	By description	By description	By description	By description
	FWH27611	By description	By description	By description	By description	By description	By description	By description	By description
	FWH2776	By description	By description	By description	By description	By description	By description	By description	By description
	FWH2780	By description	By description	By description	By description	By description	By description	By description	By description
29	FWH2968	By description	By description	By description	By description	By description	By description	By description	By description
	FWH29611	By description	By description	By description	By description	By description	By description	By description	By description
	FWH2976	By description	By description	By description	By description	By description	By description	By description	By description
	FWH2980	By description	By description	By description	By description	By description	By description	By description	By description
31	FWH3168	By description	By description	By description	By description	By description	By description	By description	By description
	FWH31611	By description	By description	By description	By description	By description	By description	By description	By description
	FWH3176	By description	By description	By description	By description	By description	By description	By description	By description
	FWH3180	By description	By description	By description	By description	By description	By description	By description	By description

Passive Panel / High-Performance-Low-E4® Tempered Finelight™ Colonial with Handle Activated Head and Foot Bolts (1993 to Present) / White									
Unit No.		Exterior		Unit No.		Exterior			
		White				White			
		Interior				Interior			
		White				White			
		Left	Right			Left	Right		
21	FWH2168	By description	By description	29	FWH2968	By description	By description		
	FWH21611	By description	By description		FWH29611	By description	By description		
	FWH2176	By description	By description		FWH2976	By description	By description		
	FWH2180	By description	By description		FWH2980	By description	By description		
27	FWH2768	By description	By description	31	FWH3168	By description	By description		
	FWH27611	By description	By description		FWH31611	By description	By description		
	FWH2776	By description	By description		FWH3176	By description	By description		
	FWH2780	By description	By description		FWH3180	By description	By description		

Panels - Passive

Panel Astragal - Handle Activated (2004 to Present)

Note:

Astragal comes complete with transition plates and screws. For units manufactured 2004 to present. Also shown in Stormwatch® section. See [Service Guide 0005379](#).

Panel Astragal - Pine

Unit No.	Length	Exterior							
		White		Terratone®		Sandtone		Forest Green	
		Interior							
		PINE							
		AP	PA	AP	PA	AP	PA	AP	PA
FWH68	74 ²⁷ / ₆₄	2563080	2563081	2664282	2664283	0914182	0914183	1208682	1208683
FWH611	77 ¹⁹ / ₆₄	2563082	2563083	2664284	2664285	0914184	0914185	1208684	1208685
FWH80	90 ²⁷ / ₆₄	2563084	2563085	2664286	2664287	0914186	0914187	1208686	1208687

Panel Astragal - Maple

Unit No.	Length	Exterior							
		White		Terratone®		Sandtone		Forest Green	
		Interior							
		MAPLE							
		AP	PA	AP	PA	AP	PA	AP	PA
FWH68	74 ²⁷ / ₆₄	2563086	2563087	2664288	2664289	0914188	0914189	1208688	1208689
FWH611	77 ¹⁹ / ₆₄	2563088	2563089	2664290	2664291	0914190	0914191	1208690	1208691
FWH80	90 ²⁷ / ₆₄	2563090	2563091	2664292	2664293	0914192	0914193	1208692	1208693

Panel Astragal - Oak

Unit No.	Length	Exterior							
		White		Terratone®		Sandtone		Forest Green	
		Interior							
		OAK							
		AP	PA	AP	PA	AP	PA	AP	PA
FWH68	74 ²⁷ / ₆₄	2563092	2563093	2664294	2664295	0914194	0914195	1208694	1208695
FWH611	77 ¹⁹ / ₆₄	2563094	2563095	2664296	2664297	0914196	0914197	1208696	1208697
FWH80	90 ²⁷ / ₆₄	2563096	2563097	2664298	2664299	0914198	0914199	1208698	1208699

Panel Astragal - Interior White

Unit No.	Length	Exterior	
		White	
		Interior	
		White	
		AP	PA
FWH68	74 ²⁷ / ₆₄	2563098	2563099
FWH611	77 ¹⁹ / ₆₄	2563101	2563102
FWH80	90 ²⁷ / ₆₄	2563103	2563104

400 Series Frenchwood® Hinged Doors (1988 to Present)

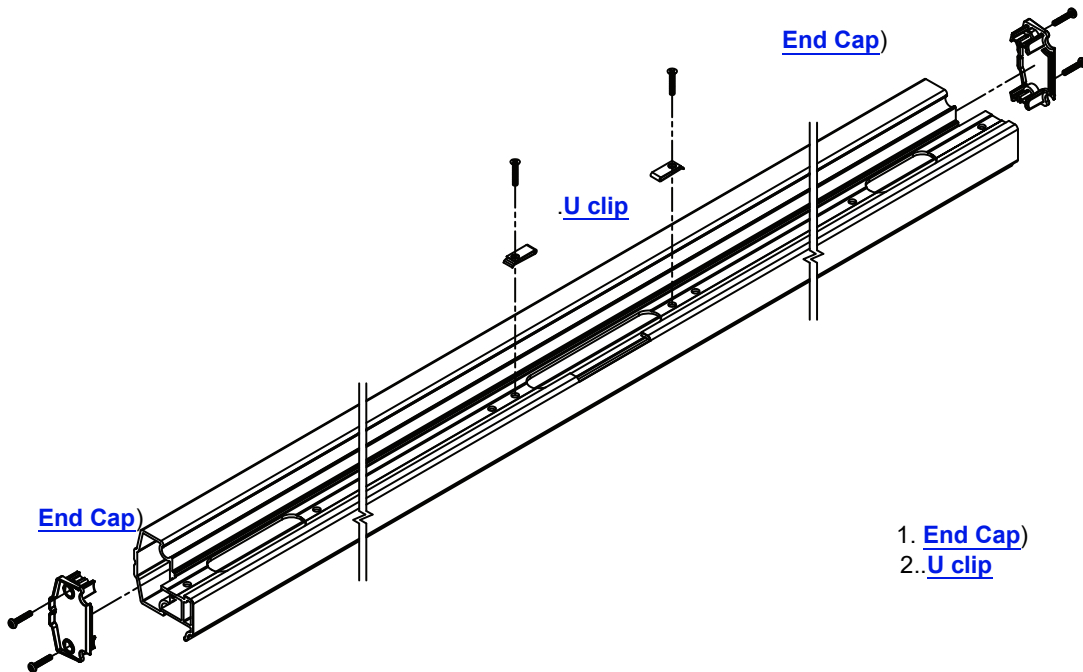
2 Panel, 3 Panel, and Stationary

Panels - Passive

Panel Astragal - Handle Activated (1993 to 2003)

Note:

Astragal comes complete with transition plates and screws. For units manufactured 2004 to present, use impact resistant astragal for replacement also shown in Stormwatch® section.



Panel Astragal - Pine

Unit No.	Length	Exterior							
		White		Terratone®		Sandtone		Forest Green	
		Interior							
PINE									
		AP	PA	AP	PA	AP	PA	AP	PA
FWH68	74 ²⁷ / ₆₄	2577671	2577672	2667931	2667932	0921028	0921029	1277845	1277846
FWH611	77 ¹⁹ / ₆₄	2577673	2577674	2667933	2667934	0921030	0921031	1277847	1277848
FWH80	90 ²⁷ / ₆₄	2577675	2577676	2667935	2667936	0921032	0921033	1277849	1277850

Panels - Passive

Panel Astragal - Handle Activated (1993 to 2003)

Panel Astragal - Maple

Unit No.	Length	Exterior							
		White		Terratone®		Sandtone		Forest Green	
		Interior							
MAPLE								AP	PA
FWH68	74 ²⁷ / ₆₄	2577677	2577678	2667937	2667938	0921034	0921035	1277851	1277852
FWH611	77 ¹⁹ / ₆₄	2577679	2577680	2667939	2667940	0921036	0921037	1277853	1277854
FWH80	90 ²⁷ / ₆₄	2577681	2577682	2667941	2667942	0921038	0921039	1277855	1277856


Panel Astragal - Oak

Unit No.	Length	Exterior							
		White		Terratone®		Sandtone		Forest Green	
		Interior							
OAK								AP	PA
FWH68	74 ²⁷ / ₆₄	2577683	2577684	2667943	2667944	0921040	0921041	1277857	1277858
FWH611	77 ¹⁹ / ₆₄	2577685	2577686	2667945	2667946	0921042	0921043	1277859	1277860
FWH80	90 ²⁷ / ₆₄	2577687	2577688	2667947	2667948	0921044	0921045	1277861	1277862

Panel Astragal - Interior White

			Exterior/Interior	
			White	
Unit No.	Length			
FWH68	74 ²⁷ / ₆₄		2577689	2577690
FWH611	77 ¹⁹ / ₆₄		2577691	2577692
FWH80	90 ²⁷ / ₆₄		2577693	2577694

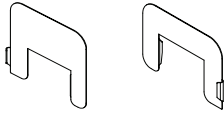
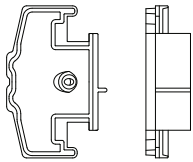

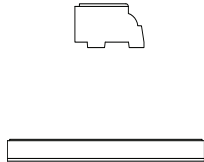
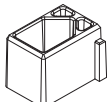
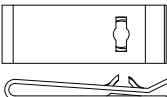
Screws

	Description	Order No.
	10 -12 x 3 1/2" panhead stainless steel screw typ A	2579414

400 Series Frenchwood® Hinged Doors (1988 to Present)

2 Panel, 3 Panel, and Stationary

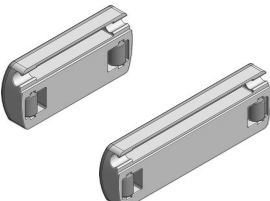
Panels - Passive

Astragal Parts							
Transition Plate							
 Head Sill					AP		
					Head	Sill	
					2579396	2579398	
					PA		
				Head	Sill		
				2579397	2579399		
Astragal Cap (1993 to 2003)							
					Color	Sill AP/PA	Head AP/PA
					White	N/A	N/A
					Terratone®	N/A	N/A
					Sandtone	N/A	N/A
				Forest Green	1267408	1267407	
End Cap - Universal / AP/PA (2003 to Present)							
					Color	Order No.	
					White	2579998	
					Terratone®	2668601	
					Sandtone	0924601	
				Forest Green	1267299		
Astragal Panel Stop - AP/PA / Side							
Note: Use these panel astragal side stops to replace vintage stops. When replacing white painted stops with vinyl wrapped PVC white stops, all four sides must be replaced.							
			Unit No.	Pine	Maple	Oak	Vinyl Wrapped PVC White
			FWH68	N/A	N/A	N/A	2578894
			FWH611	N/A	N/A	N/A	2578895
			FWH80	N/A	N/A	N/A	2578896
Astragal Plug							
						Order No.	
						9013253	
U Clip (March 2003 to Present)							
	Note: Use with stainless steel lock mechanism. Used on AP/PA latch bolt receiver.				Order No.		
					2579427		

Panels - Passive

Panel Parts - Passive

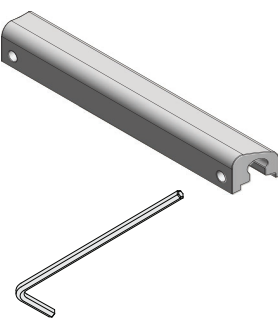
Operator Kit W/End Cap - Blinds Between the Glass

Tilt/Height Adjustment	Unit No.	Color	Type	Order No.
	All	White	Tilt/Height	9179702

Intermediate Stop Kit - Blinds Between the Glass

Note:

See [Accessory Guide 9184899](#). Kit includes intermediate stop, hex key and set screws.

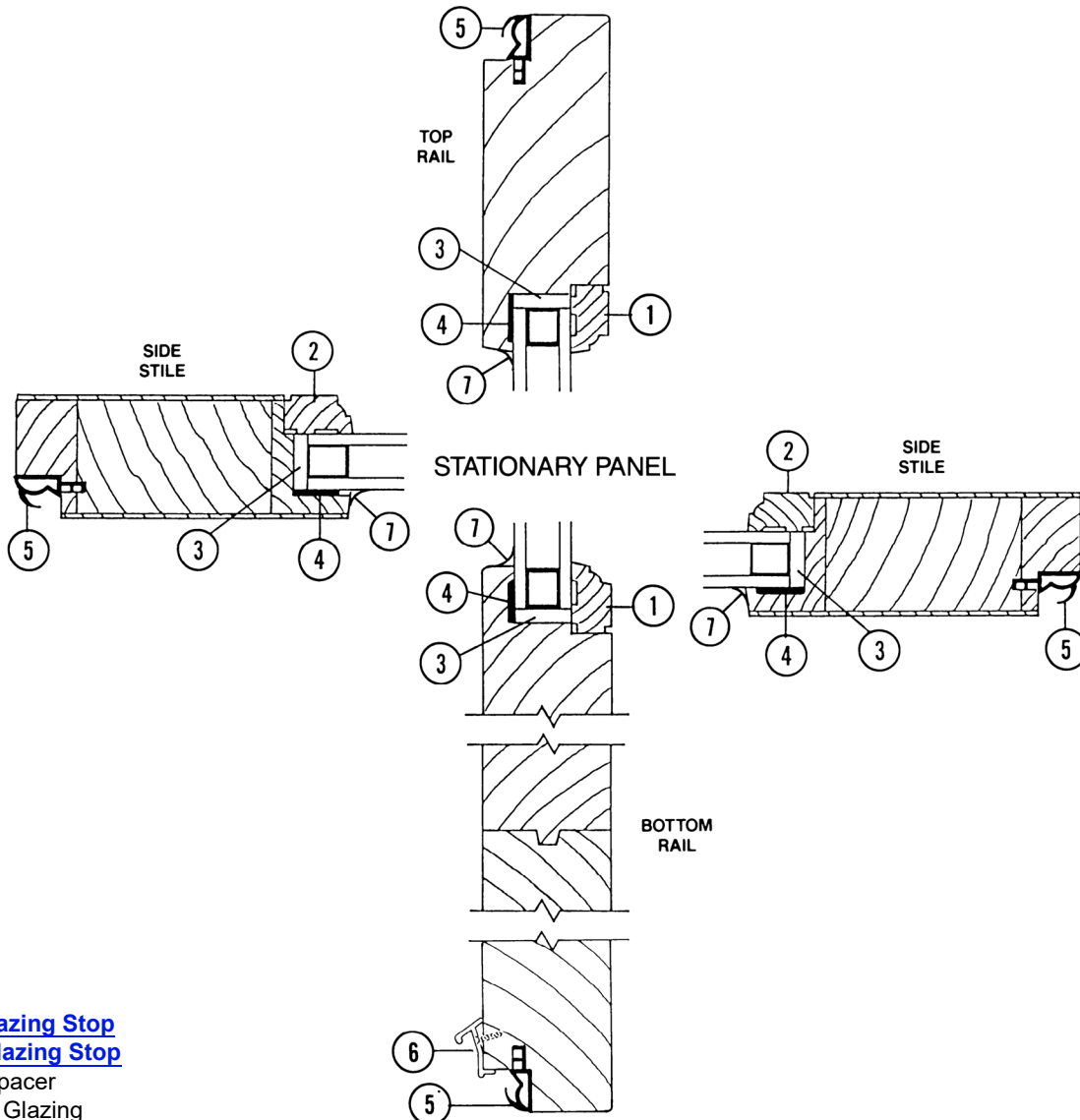
	Unit No.	Color	Type	Order No.
	FWD	White	Strike	9184901

400 Series Frenchwood® Hinged Doors (1988 to Present)

2 Panel, 3 Panel, and Stationary

Panels - Stationary/Sidelight

Stationary Panel Graphic



1. [Rail, Glazing Stop](#)
2. [Stile, Glazing Stop](#)
3. Glass Spacer
4. Silicone Glazing
5. [Gasket Weatherstrip](#)
6. [Panel Watershed](#)
7. Silicone Fillet Bead

Frenchwood® Hinged Door Stationary/Sidelight Panel

Panels - Stationary/Sidelight

Stationary Panel Size Table

Note:

This product is not intended to be reglazed. Panels with defective glass should be replaced.

1" finelight profile is standard, with color matching exterior color of panel.

Maple and Oak finishes introduced in 1999.

White painted finish in 2000.

White PVC veneer wrap in 2001.

Overall Stationary Panel is measured outside edge to outside edge of frame.

Unobstructed Glass is dimension from outside edge to outside edge of visible glass only.

Actual Glass is dimension of outside edge to outside edge of glass, including glass that is not visible.

Guide to door types:

A: active panel; **P:** passive panel; **S:** stationary panel

Unit No.	Type	Overall Stationary Panel (w x h)	Unobstructed Glass (w x h)	Actual Glass (w x h)
FWH2168	S	22 ¹ / ₈ × 76 ¹⁵ / ₃₂	13 ¹ / ₄ × 63 ¹ / ₂	14 ³ / ₈ × 64 ⁹ / ₁₆
FWH21611	S	22 ¹ / ₈ × 79 ¹¹ / ₃₂	13 ¹ / ₄ × 66 ³ / ₈	14 ³ / ₈ × 67 ⁹ / ₁₆
FWH2176	S	22 ¹ / ₈ × 86 ¹⁵ / ₃₂	13 ¹ / ₄ × 73 ¹ / ₂	14 ³ / ₈ × 74 ⁹ / ₁₆
FWH2180	S	22 ¹ / ₈ × 92 ¹⁵ / ₃₂	13 ¹ / ₄ × 79 ¹ / ₂	14 ³ / ₈ × 80 ⁹ / ₁₆
FWH2768	S	27 ³ / ₄ × 76 ¹⁵ / ₃₂	18 ⁷ / ₈ × 63 ¹ / ₂	20 × 64 ⁹ / ₁₆
FWH27611	S	27 ³ / ₄ × 79 ¹¹ / ₃₂	18 ⁷ / ₈ × 66 ³ / ₈	20 × 67 ⁹ / ₁₆
FWH2776	S	27 ³ / ₄ × 86 ¹⁵ / ₃₂	18 ⁷ / ₈ × 73 ¹ / ₂	20 × 74 ⁹ / ₁₆
FWH2780	S	27 ³ / ₄ × 92 ¹⁵ / ₃₂	18 ⁷ / ₈ × 79 ¹ / ₂	20 × 80 ⁹ / ₁₆
FWH2968	S	29 ³ / ₄ × 76 ¹⁵ / ₃₂	20 ⁷ / ₈ × 63 ¹ / ₂	22 × 64 ⁹ / ₁₆
FWH29611	S	29 ³ / ₄ × 79 ¹¹ / ₃₂	20 ⁷ / ₈ × 66 ³ / ₈	22 × 67 ⁹ / ₁₆
FWH2976	S	29 ³ / ₄ × 86 ¹⁵ / ₃₂	20 ⁷ / ₈ × 73 ¹ / ₂	22 × 74 ⁹ / ₁₆
FWH2980	S	29 ³ / ₄ × 92 ¹⁵ / ₃₂	20 ⁷ / ₈ × 79 ¹ / ₂	22 × 80 ⁹ / ₁₆
FWH3168	S	33 ³ / ₄ × 76 ¹⁵ / ₃₂	24 ⁷ / ₈ × 63 ¹ / ₂	26 × 64 ⁹ / ₁₆
FWH31611	S	33 ³ / ₄ × 79 ¹¹ / ₃₂	24 ⁷ / ₈ × 66 ³ / ₈	26 × 67 ⁹ / ₁₆
FWH3176	S	33 ³ / ₄ × 86 ¹⁵ / ₃₂	24 ⁷ / ₈ × 73 ¹ / ₂	20 × 74 ⁹ / ₁₆
FWH3180	S	33 ³ / ₄ × 92 ¹⁵ / ₃₂	24 ⁷ / ₈ × 79 ¹ / ₂	26 × 80 ⁹ / ₁₆

400 Series Frenchwood® Hinged Doors (1988 to Present)

2 Panel, 3 Panel, and Stationary

Panels - Stationary/Sidelight

Stationary/Sidelight Panels

Note:

Stationary panels for custom sized doors are made to order. Product ID label is located on head jamb frame cover. Panel ships with stops and hardware. Maple and oak finish introduced in 1999, prefinished white in 2000. Panel includes [panel stops](#), [brackets](#) and [spacers](#). See iQ+ for additional glazing types available by description/configured. See [Service Guide 0004297](#).

To order, state:

1. Description of part (Stationary Panel)
2. Quantity
3. Product ID (from product label, see [Service Guide 9051877](#))
4. Options Desired (if different than original product)

Stat/Side Panel - High-Performance-Low-E4® Tempered Blinds Between Glass

Note:

Select sizes available in Pine. Handing determined by location of blind controller as viewed from the interior.

Stationary Panel / High-Performance-Low-E4® Tempered BBG / Pine Interior (2019 to Present)

Unit No.		Exterior							
		White		Terratone®		Sandtone		Forest Green	
		Interior							
		PINE							
		Left	Right	Left	Right	Left	Right	Left	Right
27	FWH2768	By description	By description	By description	By description	By description	By description	By description	By description
	FWH27611	By description	By description	By description	By description	By description	By description	By description	By description
31	FWH3168	By description	By description	By description	By description	By description	By description	By description	By description
	FWH31611	By description	By description	By description	By description	By description	By description	By description	By description

Panels - Stationary/Sidelight

Stationary/Sidelight Panel - High-Performance-Low-E4® Tempered

Note:

Available in Pine, [Maple](#), [Oak](#) and [White](#).

Stationary/Sidelight Panel - High-Performance-Low-E4® Tempered / Pine

Unit No.		Exterior			
		White	Terratone®	Sandtone	Forest Green
		Interior			
		PINE			
21	FWH2168	By description	2666465	0922065	By description
	FWH21611	By description	2666466	By description	By description
	FWH2176	By description	By description	By description	By description
	FWH2180	By description	By description	0922067	By description
27	FWH2768	2576406	2666406	0922006	1267149
	FWH27611	2576407	By description	0922007	By description
	FWH2776	By description	By description	By description	By description
	FWH2780	2576606	By description	0922206	By description
29	FWH2968	2576412	2666412	0922012	By description
	FWH29611	2576413	2666413	0922013	By description
	FWH2976	By description	By description	By description	By description
	FWH2980	2576612	2666612	0922212	By description
31	FWH3168	2576418	2666418	0922018	1267155
	FWH31611	2576419	2666419	0922019	By description
	FWH3176	By description	By description	By description	By description
	FWH3180	2576618	2666618	0922218	By description

400 Series Frenchwood® Hinged Doors (1988 to Present)

2 Panel, 3 Panel, and Stationary

Panels - Stationary/Sidelight

Stationary/Sidelight Panel - High-Performance-Low-E4® Tempered / Maple					
Unit No.		Exterior			
		White	Terratone®	Sandtone	Forest Green
		Interior			
		MAPLE			
21	FWH2168	By description	By description	By description	By description
	FWH21611	By description	By description	By description	By description
	FWH2176	By description	By description	By description	By description
	FWH2180	By description	By description	By description	By description
27	FWH2768	By description	By description	By description	By description
	FWH27611	By description	By description	By description	By description
	FWH2776	By description	By description	By description	By description
	FWH2780	By description	By description	By description	By description
29	FWH2968	By description	By description	By description	By description
	FWH29611	By description	By description	By description	By description
	FWH2976	By description	By description	By description	By description
	FWH2980	By description	By description	By description	By description
31	FWH3168	By description	2666594	By description	By description
	FWH31611	By description	By description	By description	By description
	FWH3176	By description	By description	By description	By description
	FWH3180	By description	By description	By description	By description

Panels - Stationary/Sidelight

Stationary/Sidelight Panel - High-Performance-Low-E4® Tempered / Oak					
Unit No.		Exterior			
		White	Terratone®	Sandtone	Forest Green
		Interior			
		OAK			
21	FWH2168	By description	By description	By description	By description
	FWH21611	By description	By description	By description	By description
	FWH2176	By description	By description	By description	By description
	FWH2180	By description	By description	By description	By description
27	FWH2768	By description	By description	By description	By description
	FWH27611	By description	By description	By description	By description
	FWH2776	By description	By description	By description	By description
	FWH2780	By description	By description	By description	By description
29	FWH2968	By description	By description	By description	By description
	FWH29611	By description	By description	By description	By description
	FWH2976	By description	By description	By description	By description
	FWH2980	By description	By description	By description	By description
31	FWH3168	2576729	2666534	0922134	By description
	FWH31611	By description	By description	By description	By description
	FWH3176	By description	By description	By description	By description
	FWH3180	By description	By description	By description	By description

Stationary/Sidelight Panel - High-Performance-Low-E4® Tempered / White							
Unit No.		Exterior		Unit No.		Exterior	
		White				White	
		Interior				Interior	
		White				White	
		Left	Right			Left	Right
21	FWH2168	By description		29	FWH2968	2578325	
	FWH21611	By description			FWH29611	2578326	
	FWH2176	By description			FWH2976	By description	
	FWH2180	By description			FWH2980	By description	
27	FWH2768	2578322		31	FWH3168	2578328	
	FWH27611	2578323			FWH31611	2578329	
	FWH2776	By description			FWH3176	By description	
	FWH2780	By description			FWH3180	2578330	

400 Series Frenchwood® Hinged Doors (1988 to Present)

2 Panel, 3 Panel, and Stationary

Panels - Stationary/Sidelight

Stationary/Sidelight Panel - High-Performance-Low-E4® Smart Sun Tempered

Note:

Available in Pine, [Maple](#), [Oak](#) and [White](#).

Stationary/Sidelight Panel - High-Performance-Low-E4® Smart Sun Tempered / Pine

Unit No.		Exterior			
		White	Terratone®	Sandtone	Forest Green
		Interior			
		PINE			
21	FWH2168	By description	By description	By description	By description
	FWH21611	By description	By description	By description	By description
	FWH2176	By description	By description	By description	By description
	FWH2180	By description	By description	By description	By description
27	FWH2768	By description	By description	By description	By description
	FWH27611	By description	By description	By description	By description
	FWH2776	By description	By description	By description	By description
	FWH2780	By description	By description	By description	By description
29	FWH2968	By description	By description	By description	By description
	FWH29611	By description	By description	By description	By description
	FWH2976	By description	By description	By description	By description
	FWH2980	By description	By description	By description	By description
31	FWH3168	By description	By description	By description	By description
	FWH31611	By description	By description	By description	By description
	FWH3176	By description	By description	By description	By description
	FWH3180	By description	By description	By description	By description

Panels - Stationary/Sidelight

Stationary/Sidelight Panel - High-Performance-Low-E4® Smart Sun Tempered / Maple					
Unit No.		Exterior			
		White	Terratone®	Sandtone	Forest Green
		Interior			
		MAPLE			
21	FWH2168	By description	By description	By description	By description
	FWH21611	By description	By description	By description	By description
	FWH2176	By description	By description	By description	By description
	FWH2180	By description	By description	By description	By description
27	FWH2768	By description	By description	By description	By description
	FWH27611	By description	By description	By description	By description
	FWH2776	By description	By description	By description	By description
	FWH2780	By description	By description	By description	By description
29	FWH2968	By description	By description	By description	By description
	FWH29611	By description	By description	By description	By description
	FWH2976	By description	By description	By description	By description
	FWH2980	By description	By description	By description	By description
31	FWH3168	By description	By description	By description	By description
	FWH31611	By description	By description	By description	By description
	FWH3176	By description	By description	By description	By description
	FWH3180	By description	By description	By description	By description

400 Series Frenchwood® Hinged Doors (1988 to Present)

2 Panel, 3 Panel, and Stationary

Panels - Stationary/Sidelight

Stationary/Sidelight Panel - High-Performance-Low-E4® Smart Sun Tempered / Oak					
Unit No.		Exterior			
		White	Terratone®	Sandtone	Forest Green
		Interior			
		<div style="text-align: center; font-size: 2em; font-weight: bold; color: white; opacity: 0.5;">OAK</div>			
21	FWH2168	By description	By description	By description	By description
	FWH21611	By description	By description	By description	By description
	FWH2176	By description	By description	By description	By description
	FWH2180	By description	By description	By description	By description
27	FWH2768	By description	By description	By description	By description
	FWH27611	By description	By description	By description	By description
	FWH2776	By description	By description	By description	By description
	FWH2780	By description	By description	By description	By description
29	FWH2968	By description	By description	By description	By description
	FWH29611	By description	By description	By description	By description
	FWH2976	By description	By description	By description	By description
	FWH2980	By description	By description	By description	By description
31	FWH3168	By description	By description	By description	By description
	FWH31611	By description	By description	By description	By description
	FWH3176	By description	By description	By description	By description
	FWH3180	By description	By description	By description	By description

Stationary/Sidelight Panel - High-Performance-Low-E4® Smart Sun Tempered / White							
Unit No.		Exterior		Unit No.		Exterior	
		White				White	
		Interior				Interior	
		White				White	
		Left	Right			Left	Right
21	FWH2168	By description		29	FWH2968	By description	
	FWH21611	By description			FWH29611	By description	
	FWH2176	By description			FWH2976	By description	
	FWH2180	By description			FWH2980	By description	
27	FWH2768	By description		31	FWH3168	By description	
	FWH27611	By description			FWH31611	By description	
	FWH2776	By description			FWH3176	By description	
	FWH2780	By description			FWH3180	By description	

Panels - Stationary/Sidelight

Stationary/Sidelight Panel - High-Performance-Low-E4® Sun Tempered

Note:

Available in Pine, [Maple](#), [Oak](#) and [White](#).

Stationary/Sidelight Panel - High-Performance-Low-E4® Sun Tempered / Pine

Unit No.		Exterior			
		White	Terratone®	Sandtone	Forest Green
		Interior			
		PINE			
21	FWH2168	By description	By description	By description	By description
	FWH21611	By description	By description	By description	By description
	FWH2176	By description	By description	By description	By description
	FWH2180	By description	By description	By description	By description
27	FWH2768	2576836	2666836	0922406	By description
	FWH27611	By description	By description	By description	By description
	FWH2776	By description	By description	By description	By description
	FWH2780	By description	By description	0922606	By description
29	FWH2968	2576842	2666842	0922412	By description
	FWH29611	By description	By description	By description	By description
	FWH2976	By description	By description	By description	By description
	FWH2980	By description	2667042	By description	By description
31	FWH3168	2576848	2666848	0922418	By description
	FWH31611	2576849	2666849	0922419	By description
	FWH3176	By description	By description	By description	By description
	FWH3180	2577048	2667048	0922618	By description

400 Series Frenchwood® Hinged Doors (1988 to Present)

2 Panel, 3 Panel, and Stationary

Panels - Stationary/Sidelight

Stationary/Sidelight Panel - High-Performance-Low-E4® Sun Tempered / Maple					
Unit No.		Exterior			
		White	Terratone®	Sandtone	Forest Green
		Interior			
		MAPLE			
21	FWH2168	By description	By description	By description	By description
	FWH21611	By description	By description	By description	By description
	FWH2176	By description	By description	By description	By description
	FWH2180	By description	By description	By description	By description
27	FWH2768	By description	By description	By description	By description
	FWH27611	By description	By description	By description	By description
	FWH2776	By description	By description	By description	By description
	FWH2780	By description	By description	By description	By description
29	FWH2968	By description	By description	By description	By description
	FWH29611	By description	By description	By description	By description
	FWH2976	By description	By description	By description	By description
	FWH2980	By description	By description	By description	By description
31	FWH3168	By description	By description	By description	By description
	FWH31611	By description	By description	By description	By description
	FWH3176	By description	By description	By description	By description
	FWH3180	By description	By description	By description	By description

Panels - Stationary/Sidelight

Stationary/Sidelight Panel - High-Performance-Low-E4® Sun Tempered / Oak					
Unit No.		Exterior			
		White	Terratone®	Sandtone	Forest Green
		Interior			
		OAK			
21	FWH2168	By description	By description	By description	By description
	FWH21611	By description	By description	By description	By description
	FWH2176	By description	By description	By description	By description
	FWH2180	By description	By description	By description	By description
27	FWH2768	By description	By description	By description	By description
	FWH27611	By description	By description	By description	By description
	FWH2776	By description	By description	By description	By description
	FWH2780	By description	By description	By description	By description
29	FWH2968	By description	By description	By description	By description
	FWH29611	By description	By description	By description	By description
	FWH2976	By description	By description	By description	By description
	FWH2980	By description	By description	By description	By description
31	FWH3168	By description	By description	By description	By description
	FWH31611	By description	By description	By description	By description
	FWH3176	By description	By description	By description	By description
	FWH3180	By description	By description	By description	By description

Stationary/Sidelight Panel - High-Performance-Low-E4® Sun Tempered / White							
Unit No.		Exterior		Unit No.		Exterior	
		White				White	
		Interior				Interior	
		White				White	
		Left	Right			Left	Right
21	FWH2168	By description		29	FWH2968	2578385	
	FWH21611	By description			FWH29611	By description	
	FWH2176	By description			FWH2976	By description	
	FWH2180	By description			FWH2980	By description	
27	FWH2768	2578382		31	FWH3168	2578388	
	FWH27611	By description			FWH31611	By description	
	FWH2776	By description			FWH3176	By description	
	FWH2780	By description			FWH3180	By description	

400 Series Frenchwood® Hinged Doors (1988 to Present)

2 Panel, 3 Panel, and Stationary

Panels - Stationary/Sidelight

Stationary/Sidelight Panel - High-Performance™ Sun II Tempered

Stationary/Sidelight Panel - High-Performance™ Sun II Tempered / Pine

Note:

High-Performance™ Sun II Tempered Stationary/Sidelight Panels in Pine, Maple, Oak and Interior White are available by description.

Panels - Stationary/Sidelight

Stationary/Sidelight Panel - HP-Low-E4® Tempered Finelight™ Colonial

Note:

Available in Pine, [Maple](#), [Oak](#) and [White](#).

Stationary/Sidelight Panel - High-Performance-Low-E4® Tempered Finelight™ Colonial / Pine

Unit No.		Exterior			
		White	Terratone®	Sandtone	Forest Green
		Interior			
		PINE			
21	FWH2168	By description	By description	By description	By description
	FWH21611	By description	By description	By description	By description
	FWH2176	By description	By description	By description	By description
	FWH2180	By description	By description	By description	By description
27	FWH2768	By description	By description	By description	By description
	FWH27611	By description	By description	By description	By description
	FWH2776	By description	By description	By description	By description
	FWH2780	By description	By description	By description	By description
29	FWH2968	By description	By description	By description	By description
	FWH29611	By description	By description	By description	By description
	FWH2976	By description	By description	By description	By description
	FWH2980	By description	By description	By description	By description
31	FWH3168	2576432	2666432	0922032	By description
	FWH31611	By description	By description	By description	By description
	FWH3176	By description	By description	By description	By description
	FWH3180	By description	By description	By description	By description

400 Series Frenchwood® Hinged Doors (1988 to Present)

2 Panel, 3 Panel, and Stationary

Panels - Stationary/Sidelight

Stationary/Sidelight Panel - High-Performance-Low-E4® Tempered Finelight™ Colonial / Maple					
Unit No.		Exterior			
		White	Terratone®	Sandtone	Forest Green
		Interior			
		MAPLE			
21	FWH2168	By description	By description	By description	By description
	FWH21611	By description	By description	By description	By description
	FWH2176	By description	By description	By description	By description
	FWH2180	By description	By description	By description	By description
27	FWH2768	By description	By description	By description	By description
	FWH27611	By description	By description	By description	By description
	FWH2776	By description	By description	By description	By description
	FWH2780	By description	By description	By description	By description
29	FWH2968	By description	By description	By description	By description
	FWH29611	By description	By description	By description	By description
	FWH2976	By description	By description	By description	By description
	FWH2980	By description	By description	By description	By description
31	FWH3168	By description	By description	By description	By description
	FWH31611	By description	By description	By description	By description
	FWH3176	By description	By description	By description	By description
	FWH3180	By description	By description	By description	By description

Panels - Stationary/Sidelight

Stationary/Sidelight Panel - High-Performance-Low-E4® Tempered Finelight™ Colonial / Oak					
Unit No.		Exterior			
		White	Terratone®	Sandtone	Forest Green
		Interior			
		OAK			
21	FWH2168	By description	By description	By description	By description
	FWH21611	By description	By description	By description	By description
	FWH2176	By description	By description	By description	By description
	FWH2180	By description	By description	By description	By description
27	FWH2768	By description	By description	By description	By description
	FWH27611	By description	By description	By description	By description
	FWH2776	By description	By description	By description	By description
	FWH2780	By description	By description	By description	By description
29	FWH2968	By description	By description	By description	By description
	FWH29611	By description	By description	By description	By description
	FWH2976	By description	By description	By description	By description
	FWH2980	By description	By description	By description	By description
31	FWH3168	By description	By description	By description	By description
	FWH31611	By description	By description	By description	By description
	FWH3176	By description	By description	By description	By description
	FWH3180	By description	By description	By description	By description

Stationary/Sidelight Panel - High-Performance-Low-E4® Tempered Finelight™ Colonial / White							
Unit No.		Exterior		Unit No.		Exterior	
		White				White	
		Interior				Interior	
		White				White	
		Left	Right			Left	Right
21	FWH2168	By description		29	FWH2968	By description	
	FWH21611	By description			FWH29611	By description	
	FWH2176	By description			FWH2976	By description	
	FWH2180	By description			FWH2980	By description	
27	FWH2768	By description		31	FWH3168	2578186	
	FWH27611	By description			FWH31611	By description	
	FWH2776	By description			FWH3176	By description	
	FWH2780	By description			FWH3180	By description	

400 Series Frenchwood® Hinged Doors (1988 to Present)

2 Panel, 3 Panel, and Stationary

Panels - Stationary/Sidelight

Panel Stops - Stationary

Note:

When replacing white painted stops with vinyl wrapped PVC white stops, all four sides must be replaced.

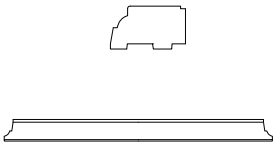
Note:

Stationary panel stops for custom sized doors are made to order. Product ID label is located on head jamb frame cover.

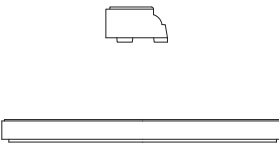
To order, state:

1. Description of part (Stationary Panel Stops)
2. Quantity
3. Product ID (from product label, see [Service Guide 9051877.](#))
4. Options Desired (if different than original product)

Panel Stop - Head / Sill

	Unit No.	Dimensions	Pine	Maple	Oak	Vinyl Wrapped PVC White
	FWH21	21 ³ / ₃₂	2578811	2578817	2578807	2578887
	FWH27	26 ²³ / ₃₂	2578812	2578831	2578809	2578888
	FWH29	28 ²³ / ₃₂	2578814	2578832	2578813	2578889
	FWH31	32 ²³ / ₃₂	2578816	2578833	2578815	2578890

Panel Stop - Side

	Unit No.	Dimensions	Pine	Maple	Oak	Vinyl Wrapped PVC White
	FWH68	76 ²⁵ / ₃₂	2578818	2578837	2578834	2578891
	FWH611	79 ⁴¹ / ₆₄	2578819	2578838	2578835	2578892
	FWH80	92 ²⁵ / ₃₂	2578810	2578839	2578836	2578893

Panels - Stationary/Sidelight

Panel Astragal - Stationary

Note:

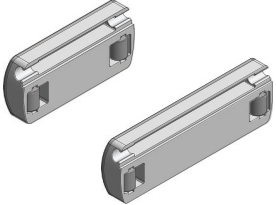
Panel astragals are not available as a replacement part and entire frame replacement required if part is needed. Product ID label is located on head jamb frame cover.

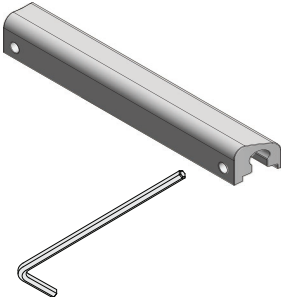
400 Series Frenchwood® Hinged Doors (1988 to Present)

2 Panel, 3 Panel, and Stationary

Panels - Stationary/Sidelight

Panel Parts - Stationary/Sidelight

Operator Kit W/End Cap - Blinds Between the Glass					
Tilt/Height Adjustment		Unit No.	Color	Type	Order No.
		All	White	Tilt/Height	9179702

Intermediate Stop Kit - Blinds Between the Glass					
Note: See Accessory Guide 9184899 . Kit includes intermediate stop, hex key and set screws.					
		Unit No.	Color	Type	Order No.
		FWD	White	Strike	9184901

Panel Accessory Package - Stationary			
	Package Includes:	Unit No.	Order No.
	(6) Stationary panel brackets	FWH68/611	2573867
	(6) Spacers	FWH80	2573868
	(30) Screws 6-20 x 3/4" Typ AB		
	Instructions		

Panel Accessory Kit - Stationary				
Kit Includes: (6) Stationary panel brackets (6) Spacers (30) Screws 6-20 x 3/4" Typ AB (2) Side stops See head/sill stops that are NOT included in kit.				
Unit No.	Pine	Oak	Maple	Interior White
FWH68	2573660	2573682	2573685	2573688
FWH611	2573669	2573683	2573686	2573689
FWH80	2573662	2573684	2573687	2573690

Shared Panel Parts

Cartons		
Cartons - Panel		
Note: To ship via van only.	Unit No.	Order No.
	FWH2168/611	4757601
	FWH2780	4757602
	FWH27/2980	4757603
	FWH3180	4757605
	FWH2180	4757606
	FWH2768/611	4757607
	FWH2968/611	4757608
	FWH3168/611	4757609
	FWH/FWG 5068/ 50611	4757498
	FWH/FWG 6068/ 60611	4757500
	FWH/FWG 8068/ 80611	4757503

400 Series Frenchwood® Hinged Doors (1988 to Present)

2 Panel, 3 Panel, and Stationary

Shared Panel Parts

Glass Stops

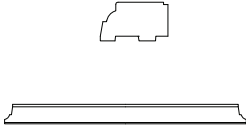
Note:

Active, passive, and stationary panels use the same glass stops. When replacing white painted stops with vinyl wrapped PVC white stops, all four sides must be replaced. Glass stops for custom sized doors are made to order. Product ID label is located on head jamb frame cover. Sizes not shown available by description.

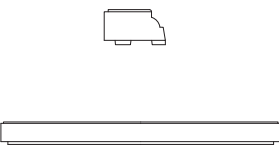
To order, state:

1. Description of part (Glass Stop, Rail or Stile)
2. Quantity
3. Product ID (from product label, see [Service Guide 9051877](#))
4. Options Desired (if different than original product)

Glass Stop - Rail Ref No. 1 [page 15](#) and [page 30](#)

	Unit No.	Dimensions	Pine	Maple	Oak	Vinyl Wrapped PVC White
	FWH21	13 ⁴¹ / ₆₄	2578801	2578847	2578840	2578880
	FWH27	19 ¹⁷ / ₆₄	2578802	2578848	2578841	2578881
	FWH29	21 ¹⁷ / ₆₄	2578804	2578849	2578842	2578882
	FWH31	25 ¹⁷ / ₆₄	2578806	2578850	2578843	2578883

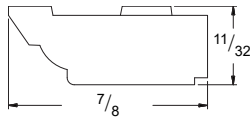
Glass Stop - Stile Ref No. 2 [page 15](#) and [page 30](#)

	Unit No.	Dimensions	Pine	Maple	Oak	Vinyl Wrapped PVC White
	FWH68	65 ¹¹ / ₆₄	2578808	2578851	2578844	2578884
	FWH611	68 ³ / ₆₄	2578821	2578852	2578845	2578885
	FWH80	81 ¹¹ / ₆₄	2578820	2578853	2578846	2578886

Glass Stop - Rail / 1" Ref No. 1 [page 15](#) and [page 30](#)

Note:

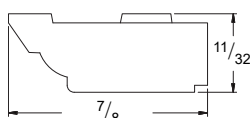
One inch glass stops used with triple pane glass and BBG.

	Unit No.	Dimensions	Pine	Maple	Oak	Vinyl Wrapped PVC White
	FWH27	19 ¹⁷ / ₆₄	9179501			9179500
	FWH31	25 ¹⁷ / ₆₄	9179503			9179502
	FWH33	27 ¹⁷ / ₆₄	By description	By description	By description	By description

Glass Stop - Stile / 1" Ref No. 2 [page 15](#) and [page 30](#)

Note:

One inch glass stops used with triple pane glass and BBG.

	Unit No.	Dimensions	Pine	Maple	Oak	Vinyl Wrapped PVC White
	FWH68	65 ¹¹ / ₆₄	9179505			9179504
	FWH611	68 ³ / ₆₄	9179507			9179506
	FWH80	81 ¹¹ / ₆₄	By description	By description	By description	By description

Shared Panel Parts

Gasket Weatherstrip

Gasket Weatherstrip Ref No. 5 [page 15](#) and [page 30](#)

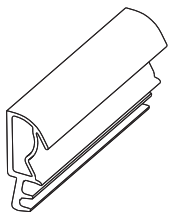
Note:

Active, passive, and stationary panels use the same gasket weatherstrip.

See [Weatherstrip Replacement Video](#).

Passive panel, the astragal must be removed to replace the gasket weatherstrip

See [Astragal Replacement Video](#).

	Unit No.	Type	Gray	Unit No.	Type	Gray
	FWH2168	A/P/S	2579046	FWH2968	A/P/S	2579004
	FWH21611	A/P/S	2579047	FWH29611	A/P/S	2579005
	FWH2180	A/P/S	2579048	FWH2980	A/P/S	2579010
	FWH2768	A/P/S	2579002	FWH3168	A/P/S	2579006
	FWH27611	A/P/S	2579003	FWH31611	A/P/S	2579007
	FWH2776	A/P/S	2578293	FWH3176	A/P/S	2578294
	FWH2780	A/P/S	2579008	FWH3180	A/P/S	2579012

400 Series Frenchwood® Hinged Doors (1988 to Present)

2 Panel, 3 Panel, and Stationary

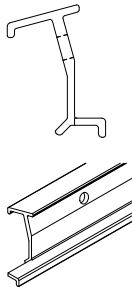
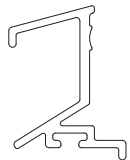
Shared Panel Parts

Watershed

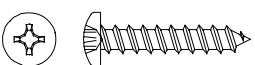
Watershed Ref No. 6 [page 15](#) and No. 9 [page 30](#)

Note:

Vintage used through 2011 no longer available. Replace with current A Series Hinged watershed shown below. Pre-drill and secure with (4) screws.

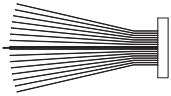
Unit No.	Size	1988-2011				2011-present			
		White	Terratone®	Sandtone	Forest Green	White Replacement	Terra-tone® Replacement	Sandtone Replacement	Forest Green Replacement
									
FWH21	20 ¹⁵ / ₁₆	N/A	N/A	N/A	N/A	9000629	9000631	9000630	9000632
FWH27	26 ⁹ / ₁₆	N/A	N/A	N/A	N/A	9000639	9000641	9000640	9000642
FWH29	28 ⁹ / ₁₆	N/A	N/A	N/A	N/A	9000649	9000651	9000650	9000652
FWH31	32 ⁹ / ₁₆	N/A	N/A	N/A	N/A	9000659	9000661	9000660	9000662

Watershed Screws

	Description	Order No.
	8-15 x 5/8 TR 302 Type 17 PASS	3622310

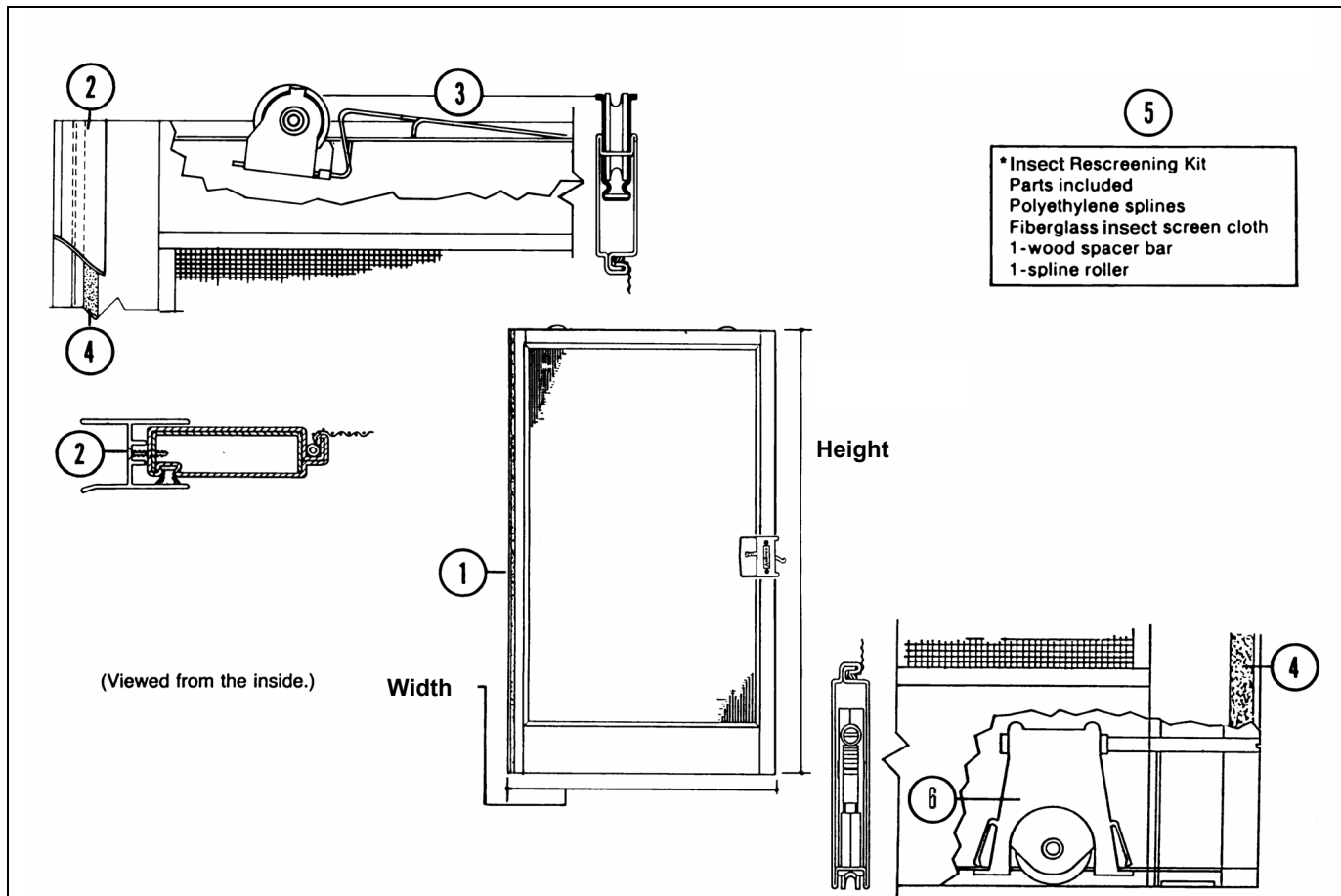
Watershed Weatherstrip

Weatherstrip - Fin Pile

	Size		Order No.
		50 FT	

Insect Screens

Insect Screen Graphic - Gliding



1. [Insect Screen](#)
2. [Astragal, Insect Screen W/Screws - 4 Panel Door](#)
3. [Wheel Assembly - Upper](#)
4. [Bug Seal Pile W/Screws](#)
5. [Insect Rescreening Kit](#)
6. [Wheel Assembly - Lower](#)

Manufactured 1991 to Present

Frenchwood® Hinged Door Gliding Insect Screen - Roller Top

400 Series Frenchwood® Hinged Doors (1988 to Present)

2 Panel, 3 Panel, and Stationary

Insect Screens

Insect Screens - Gliding (Universal)

Note:

Gliding insect screens for custom sized doors are made to order. Product ID label is located on head jamb frame cover. Replacement screens ship with top and bottom rollers and hardware. See [Accessory Guide 0001666](#). See [Installation Video](#).

To order, state:

1. Description of part (Gliding Insect Screen)
2. Quantity
3. Product ID (from product label, see [Service Guide 9051877](#).)
4. Options Desired (if different than original product)

Gliding Screen Usage Chart		
Screen	FWH Unit	
	Used on Double Units (One or two active panels)	Used on Triple Units (One active panel)
PD2668	FWH5068	N/A
PD26611	FWH50611	N/A
PD2680	FWH5080	N/A
PD2868	FWH5468	FWH8068
PD28611	FWH54611	FWH80611
PD2880	FWH5480	FWH8080
PD3068	FWH6068	FWH9068
PD30611	FWH60611	FWH90611
PD3080	FWH6080	FWH9080

Universal Gliding Insect Screens

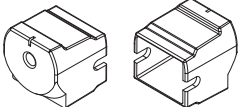
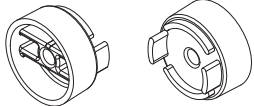
Unit No.	Dimensions (w x h)	White	Terratone®	Sandtone	Forest Green
PD2668	29 1/2 x 77 9/16	1974128	2601022	0900202	1262501
PD26611	29 1/2 x 80 7/16	2565309	2650309	0910105	1262505
PD2680	29 1/2 x 93 9/16	2576018	2666018	0910112	1262509
PD2868	31 1/2 x 77 9/16	2576008	2666008	0920902	1262502
PD28611	31 1/2 x 80 7/16	2565310	2650310	0910106	1262506
PD2880	31 1/2 x 93 9/16	2576020	2666020	0920906	1262510
PD3068	35 1/2 x 77 9/16	2565308	2650306	0910102	1262503
PD30611	35 1/2 x 80 7/16	2565311	2650311	0910107	1262507
PD3080	35 1/2 x 93 9/16	2576022	2666022	0910114	1262511

Insect Screens

Insect Screen Parts and Hardware - Gliding

Note:
Stone hardware used on sandtone and terratone units.

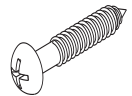
Insect Screen Latch Spacer

 <p>Active</p>  <p>Passive</p>		Color	Active AP/PA	Passive AP/PA
		Stone	0924606	0924608
		White	2579570	2579571

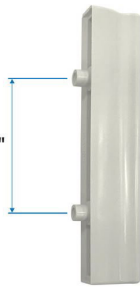
Insect Screen Door Latch with Screws

 <p>2-Panel</p>  <p>3-Panel</p>		Color	2 Panel AS/SA	3 Panel SAS
		Stone	0924602	2668602
		White	2579551	2579547
		Forest Green	1267822	9002072
		Canvas	9002026	9002066
		Dark Bronze	9021386	9131696

Insect Screen Door Latch Screws

	Description	Order No.
	Qty 8 -18 x 1 panhead stainless steel PASS typ AB	1973110


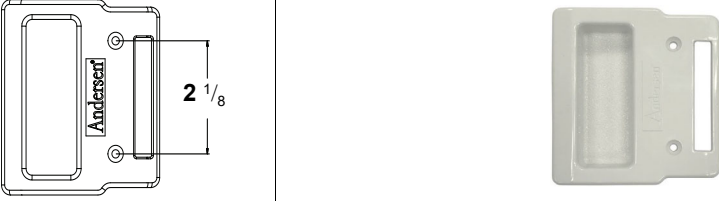
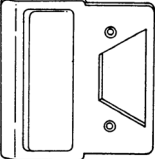

Universal Insect Screen Pull - 2 and 3 Panel / Exterior


 <p>2 1/8"</p>		Color	Order No.
		Stone	1997195
		White	1997307
		Forest Green	1267819
		Canvas	9002038

400 Series Frenchwood® Hinged Doors (1988 to Present)

2 Panel, 3 Panel, and Stationary

Insect Screens

Insect Screen Hardware Kit - 2 Panel			
	Package includes: (1) Logo plate (1) Interior pull (1) Exterior pull (2) 6 x 5/8" screws (2) 6 x 1" screws	Color	Order No.
		Stone	2650504
		White	1997230
		Forest Green	1262834
		Canvas	9002032
Universal Insect Screen Pull - 2 and 3 Panel / Interior (1991 to Present)			
		Color	Order No.
		Stone	1997194
		White	1997306
		Forest Green	1267818
		Canvas	9002044
Universal Insect Screen Pull - SAS / Interior			
		Color	Order No.
		Stone	2668604
		White	2579549
		Forest Green	9051276
		Canvas	9002060
Insect Screen Handle Keeper - SAS / 3 panel (1991 to Present)			
			Order No.
			2579550

Insect Screen Wheel Assembly (1991 to Present) Ref. No. 3 and 6 page 74			
	Note: No fasteners are needed for this wheel assembly. See Replacement Video .	Upper	Lower
		1997063	1997310

Insect Screens

Insect Screen Wheel Assembly - Lower (1987 to 1991)			
			Order No.
			1274104
Universal Top Rail Insect Screen Spring			
			Order No.
			1997196
Universal Insect Screen Logo Plate with Screws			
			Finish
			Stone
			White
			Forest Green
		Canvas	Order No.
		2641206	
		1997197	
		1262841	
		9002050	
Logo Plate Screw			
	5/8" x #6 F.H. steel		Finish
			Stone
			White
			Order No.
Bug Seal - Insect Screen/Gliding			
	Note: Order by the foot. Used to replace gliding screen weatherstrip.		Order No.
			2579073
Insect Screen Bumper with Screws - SAS			
			Order No.
			2579548
Insect Screen Bumper Screws			
		Description	Order No.
		Insect screen bumper screws, Qty 8 -18 x 1 panhead	3269030
		Insect screen bumper screws, Qty 8 -18 x 1 1/4 panhead	3621350

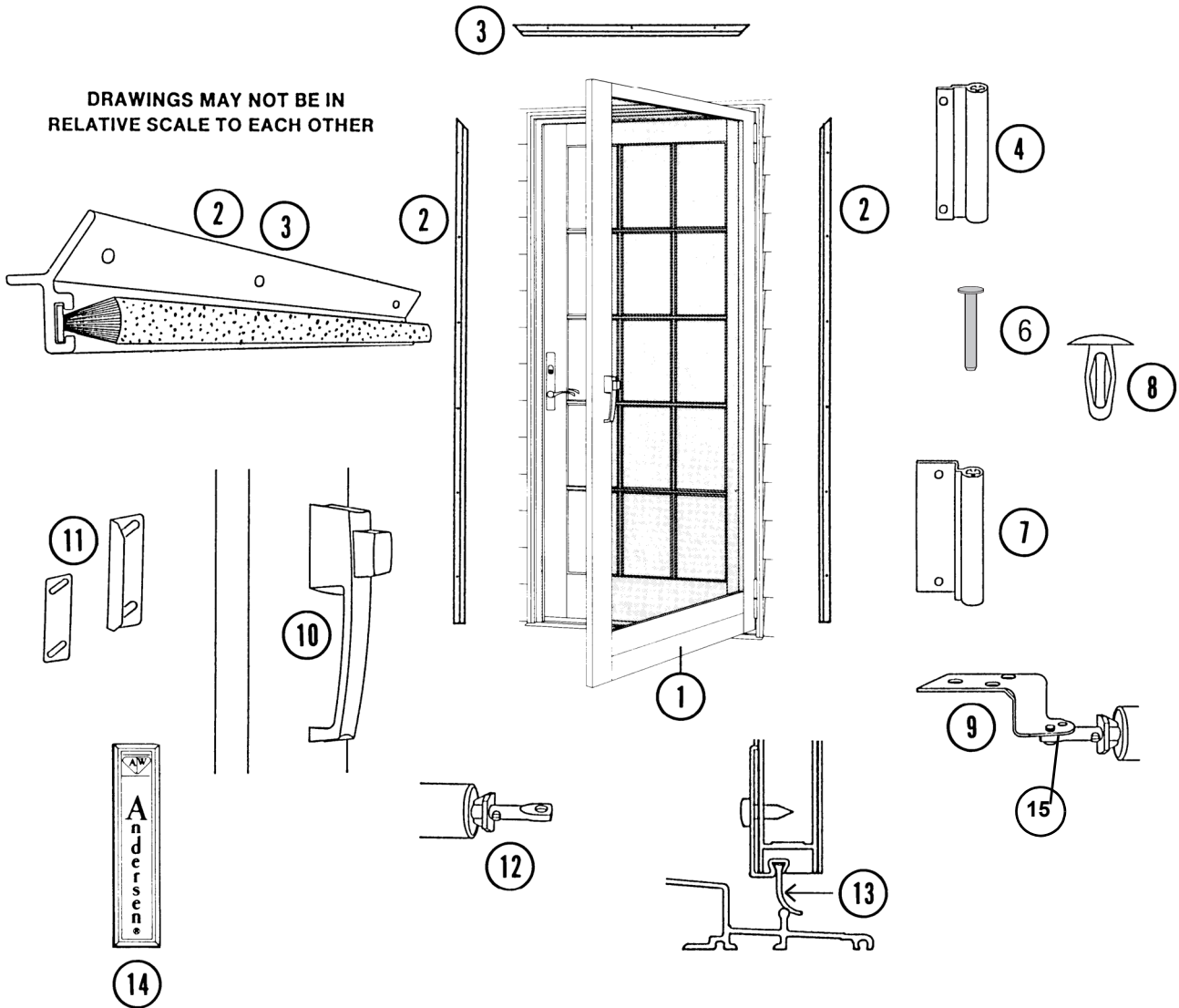
400 Series Frenchwood® Hinged Doors (1988 to Present)

2 Panel, 3 Panel, and Stationary

Insect Screens

Insect Screen Graphic - Hinged

DRAWINGS MAY NOT BE IN
RELATIVE SCALE TO EACH OTHER



- | | |
|--|--|
| 1. Hinged Insect Screen | 9. Door Closer Bracket |
| 2. Bug Seal Strip, Sides | 10. Outside Handle |
| 3. Bug Seal Strip, Top | 11. Latch Strike Plate |
| 4. Upper Hinge Leaf | 12. Closer Assembly |
| 6. Hinge Pin | 13. Insect Screen Sweep, Only |
| 7. Lower Hinge Leaf | 14. Logo Plate |
| 8. Hole Plugs | 15. Insect Screen Bushing |

Frenchwood® Hinged Door Hinged Insect Screen

Insect Screens

Insect Screen - Hinged

Note:

Hinged insect screens for custom sized doors are made to order. Product ID label is located on head jamb frame cover.

To order, state:

1. Description of part (Hinged Insect Screen)
2. Quantity
3. Product ID (from product label, see [Service Guide 9051877.](#))
4. Options Desired (if different than original product)

Hinged Insect Screen Kits - Single

Note:

Parts included are listed in [Accessory Guide 0005328](#). See [Installation Video](#).

Unit No.	Type	Dimensions (w x h)	White	Terratone®	Sandtone	Forest Green
FWH2768	—	27 3/4 x 77 1/2	2576002	2666002	0920910	1267617
FWH27611	—	27 3/4 x 80 3/8	2576003	2666003	0920911	1267618
FWH2776	—	27 3/4 x 87 1/2	2576032	By description	0921956	By description
FWH2780	—	27 3/4 x 93 1/2	2576010	2666010	0920916	1267619
FWH2968	—	29 3/4 x 77 1/2	2576004	2666004	0920912	1267620
FWH29611	—	29 3/4 x 80 3/8	2576005	2666005	0920913	1267621
FWH2980	—	29 3/4 x 93 1/2	2576012	2666012	0920918	1267622
FWH3168	—	33 3/4 x 77 1/2	2576006	2666006	0920914	1267623
FWH31611	—	33 3/4 x 80 3/8	2576007	2666007	0920915	1267624
FWH3176	—	33 3/4 x 87 1/2	2576033	By description	0921957	By description
FWH3180	—	33 3/4 x 93 1/2	2576014	2666014	0920920	1267625

400 Series Frenchwood® Hinged Doors (1988 to Present)

2 Panel, 3 Panel, and Stationary

Insect Screens

Insect Screen Kits - Hinged / Double						
Note:						
Parts included are listed in Accessory Guide 0005328 .						
Unit No.	Type	Dimensions (w x h)	White	Terratone®	Sandtone	Forest Green
FWH4168	AP/PA	22 1/8 x 77 1/2	2576035	2666036	0920936	1265980
FWH41611	AP	22 1/8 x 80 3/8	2576036	2666037	0920937	1265981
FWH41611	PA	22 1/8 x 80 3/8	2576037	2666038	0920938	1265982
FWH4180	AP	22 1/8 x 93 1/2	2576038	2666039	0920939	1265983
FWH4180	PA	22 1/8 x 93 1/2	2576039	2666040	0920940	1265984
FWH5068	AP/PA	27 3/4 x 77 1/2	2576023	2666023	0920923	1265985
FWH50611	AP	27 3/4 x 80 3/8	2576013	2666029	0920929	1265986
FWH50611	PA	27 3/4 x 80 3/8	2576015	2666030	0920930	1265987
FWH5076	AP	27 3/4 x 87 1/2	2576097	By description	0921938	By description
FWH5076	PA	27 3/4 x 87 1/2	2576098	By description	0921939	By description
FWH5080	AP	27 3/4 x 93 1/2	2576025	2666025	0920925	1265988
FWH5080	PA	27 3/4 x 93 1/2	2576026	2666026	0920926	1265989
FWH5468	AP/PA	29 3/4 x 77 1/2	2576029	2666033	0920933	1265990
FWH54611	AP	29 3/4 x 80 3/8	2576009	2666015	0920921	1265991
FWH54611	PA	29 3/4 x 80 3/8	2576011	2666016	0920922	1265992
FWH5480	AP	29 3/4 x 93 1/2	2576030	2666034	0920934	1265993
FWH5480	PA	29 3/4 x 93 1/2	2576031	2666035	0920935	1265994
FWH6068	AP/PA	33 3/4 x 77 1/2	2576024	2666024	0920924	1265995
FWH60611	AP	33 3/4 x 80 3/8	2576016	2666031	0920931	1265996
FWH60611	PA	33 3/4 x 80 3/8	2576017	2666032	0920932	1265997
FWH6076	AP	33 3/4 x 87 1/2	2576099	By description	0921940	By description
FWH6076	PA	33 3/4 x 87 1/2	2576101	By description	0921941	By description
FWH6080	AP	33 3/4 x 93 1/2	2576027	2666027	0920927	1265998
FWH6080	PA	33 3/4 x 93 1/2	2576028	2666028	0920928	1265999

Insect Screens

Insect Screen Bug Strips - Hinged

Insect Screen Bug Strips with Rivets - Head Ref. No. 3 [page 79](#)

Note:

Bug seals up to unit size FWH31 include 3 - 1/8" x 7/32" rivets. Unit sizes FWH41 and larger include 4 - 1/8 x 7/32 rivets.

Unit No.	Dimensions	White	Terratone®	Sandtone	Forest Green
FWH27	27 ⁶³ / ₆₄	2579470	2668618	0924479	1267396
FWH29	29 ⁶³ / ₆₄	2579471	2668619	0924480	1267397
FWH31	33 ⁶³ / ₆₄	2579472	2668620	0924481	1267398
FWH41	45 ⁷ / ₃₂	2579460	2668631	0924497	1267403
FWH50	56 ¹⁵ / ₃₂	2579473	2668621	0924482	1267401
FWH54	60 ¹⁵ / ₃₂	2579062	2668644	0924717	1210009
FWH60	68 ¹⁵ / ₃₂	2579474	2668622	0924483	1267402

Insect Screen Bug Strip with Rivets - Side Ref. No. 2 [page 79](#)

Note:

Includes 10 - 1/8" x 7/32" rivets.

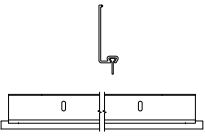
Unit No.	Dimensions	White	Terratone®	Sandtone	Forest Green
FWH68	77 ¹⁷ / ₃₂	2579468	2668616	0924477	1267405
FWH611	80 ¹³ / ₃₂	2579467	2668613	0924488	1267404
FWH80	93 ¹⁷ / ₃₂	2579469	2668617	0924478	1267406

Insect Screen Sweep Covers

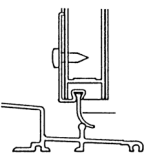
Note:

Assembly includes cover and sweep fin.

Insect Screen Sweep Cover with Screws - Active

	Unit No.	Length	White	Terratone®	Sandtone	Forest Green
	FWH 21/41	21 ⁴⁵ / ₆₄	2579054	2668636	0924709	1210001
	FWH 27/50	27 ¹⁹ / ₆₄	2579055	2668637	0924710	1210002
	FWH 29/54	29 ¹⁹ / ₆₄	2579056	2668638	0924711	1210003
	FWH 31/60	33 ¹⁹ / ₆₄	2579057	2668639	0924712	1210004

Insect Screen Sweep Cover with Screws - Passive

	Unit No.	Length	White	Terratone®	Sandtone	Forest Green
	FWH 21/41	20 ⁶¹ / ₆₄	2579058	2668640	0924713	1210005
	FWH 27/50	26 ³⁷ / ₆₄	2579059	2668641	0924714	1210006
	FWH 29/54	28 ³⁷ / ₆₄	2579060	2668642	0924715	1210007
	FWH 31/60	32 ³⁷ / ₆₄	2579061	2668643	0924716	1210008

400 Series Frenchwood® Hinged Doors (1988 to Present)

2 Panel, 3 Panel, and Stationary

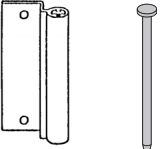
Insect Screens

Insect Screen Parts and Hardware - Hinged

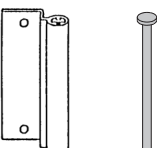
Note:

See [Accessory Guide 0005328](#). See Hinged Screen [Hinge Replacement Video](#).


Installation Hardware Package - Single Ref. No. 4, 6, 7, 14 [page 79](#)

	<p>Package Includes: Upper hinge leaves, lower hinge leaves, hinge pins, rivets, screws, cover plates, template. Use with single active screens/doors.</p>	Color	68/611	80
		White	2579063	2579064
		Terratone®	2668645	2668646
		Sandtone	0924718	0924719
		Forest Green	1210010	1210011

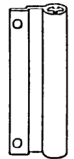
Installation Hardware Package - Double Ref. No. 4, 6, 7, 14 [page 79](#)

	<p>Package Includes: Upper hinge leaves, lower hinge leaves, hinge pins, rivets, screws, cover plates, template, sill seal, head clip. Use with double active screens/doors.</p>	Color	68/611	80
		White	2579066	2579067
		Terratone®	2668647	2668648
		Sandtone	0924721	0924722
		Forest Green	1210013	1210014

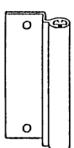
Latch and Closure Kit Ref. No. 10, 11, 12 [page 79](#)

	<p>Kit Includes: Outside handle, outside handle release button, Inside latch and operator, unkeyed steel spindle spindle spring, handle bolts (2), and screw (1) Closure assembly, hold open washer, head jamb bracket, head jamb bracket screws (3), head jamb bracket bushing, head jamb bracket connection to closure screw, door bracket door bracket screws (2), and door bracket connecting pin.</p>	Color	Order No.
		White	2579065
		Terratone®/ Sandtone	0924720
		Forest Green	1210012

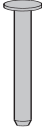
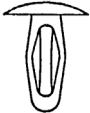



Leaf Hinge - Upper Ref. No. 4 [page 79](#)

	<p>Note: Upper hinge leaf is mounted on insect screen. 68 and 611 units require 2; 80 units require 3.</p>	Color	Order No.
		White	2579476
		Terratone®	2668624
		Sandtone	0924484
		Forest Green	1269106

Hinge Leaf with 2 Large Rivets - Lower Ref. No. 7 [page 79](#)

	<p>Note: Lower hinge leaf is mounted on the jamb. 68 and 611 units require 2; 80 units require 3.</p>	Color	Order No.
		White	2579475
		Terratone®	2668625
		Sandtone	0924485
		Forest Green	1269105

Insect Screens

Hinge Pin Ref. No. 6 page 79			
	Note: 68 and 611 units require 2 pins; 80 units require 3 pins	Color	Order No.
		White	2579477
		Terratone®	2668629
		Sandtone	0924486
		Forest Green	1269107
Insect Screen Rivet - Lower Hinge Leaf			
	Description	Order No.	
	3/16 x 9/32	2668623	
Insect Screen Rivet - Bug Seal Strips			
	Description	Order No.	
	1/8 x 7/32	2579482	
Plastic Hole Plug Ref. No. 8 page 79			
	Note: 68 units require 4 plugs; 611 and 80 units require 6 plugs	Order No. 2579478	
Latch Hole Cover Plate - Single Ref. No. 14 page 79			
		Color	Order No.
		White	2579479
		Stone	2668626
		Forest Green	1262835
Screw Cover for Insect Screen Astragal			
		Color	Order No.
		White	2579481
		Terratone®	0924487
		Sandtone	0924487
		Forest Green	1267479
Handle Bolt			
	Description	Color	Order No.
	3/4 x 6 -32	White	2579480
		Terratone®	2668627
		Sandtone	
Insect Screen Hook - SAS			
		Order No. 2579546	

400 Series Frenchwood® Hinged Doors (1988 to Present)

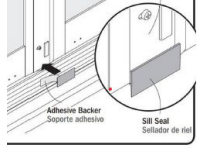
2 Panel, 3 Panel, and Stationary

Insect Screens

Insect Screen Clip with 2 Small Rivets - Head

	Color	Order No.
	White	2579090
	Terratone®	2668649
	Sandtone	0924729
	Forest Green	1210023

Sill Seal

		Order No.
 <p style="font-size: small;">Adhesive Backer Soporte adhesivo Sill Seal Sellador de riel</p>		2579484

Hinge Screen Template

	Description	Order No.
	5 5/16"	2579074

Screw - Hinge Screen

		Finish	Order No.
	Note: #8 X 1/2" screw. Used to secure interior sweep and upper hinge leaf.	White	2579076
		Sandtone/Terratone®	0924723
		Forest Green	1210015

Insect Screen Astragal - Hinged / Double


Insect Screen Astragal Kit with Screws - Hinged / Double

Unit No.	Type	Length	White	Terratone®	Sandtone	Forest Green
FWH68	AP/PA	77 1/2	2579487	2668521	0924620	1267304
FWH611	AP	80 25/64	2579490	2668518	0924617	1267301
FWH611	PA	80 25/64	2579491	2668519	0924618	1267302
FWH80	AP	93 1/2	2579488	2668522	0924621	1267305
FWH80	PA	93 1/2	2579486	2668520	0924619	1267303

Astragal Hardware Kit

		Color	Order No.
	Kit Includes: Strike and latch	White	2579489
		Terratone®	2668523
		Sandtone	0924622
		Forest Green	1267765

Insect Screens

Astragal Weatherstrip				
	Note: Cut to size if necessary.	Color	Length	Order No.
		White	93 1/2	2579463
		Terratone®		2668635
		Sandtone		0924501
		Forest Green		1210022

400 Series Frenchwood® Hinged Doors (1988 to Present)

2 Panel, 3 Panel, and Stationary

Insect Screens

Double Insect Screen Track Kits

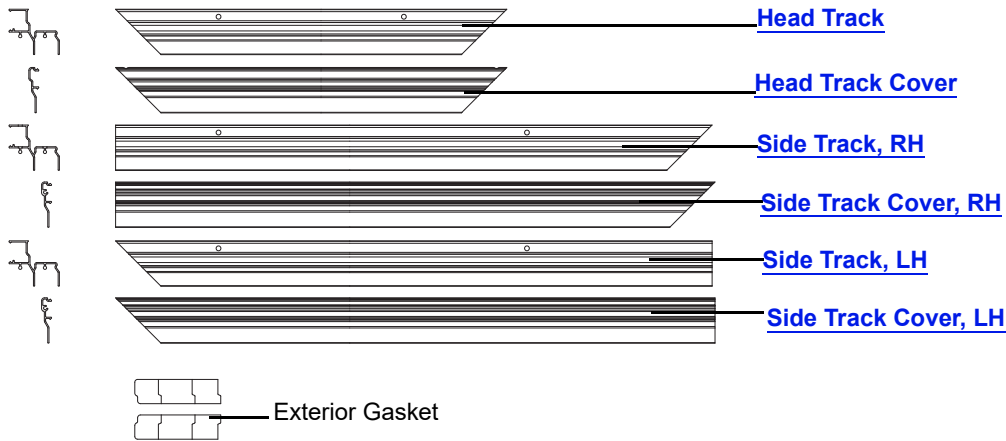
Note:

Double insect screen track kits for custom sized doors are made to order. Product ID label is located on head jamb frame cover. See [Accessory Guide 0005207](#).

To order, state:

1. Description of part (Double Insect Screen Track Kit)
2. Quantity
3. Product ID (from product label, see [Service Guide 9051877](#).)
4. Options Desired (if different than original product)

Double Insect Screen Track Kit with Screws - 5 1/4" Wall



Kit Includes:

Head track, head track cover, side tracks, side track covers, screw packs and exterior gasket.

Unit No.	Type	White	Terratone®	Sandtone	Forest Green
FWH5068	AP/PA	2577702	2667902	0921302	1267770
FWH50611	AP/PA	2577706	2667909	0921307	1267776
FWH5080	AP/PA	2577710	2667906	0921306	1267774
FWH5468	AP/PA	2577703	2667903	0921303	1267771
FWH54611	AP/PA	2577707	2667910	0921309	1267777
FWH5480	AP/PA	2577705	2667905	0921305	1267773
FWH6068	AP/PA	2577704	2667904	0921304	1267772
FWH60611	AP/PA	2577708	2667911	0921310	1267778
FWH6080	AP/PA	2577712	2667908	0921308	1267775

Screw Pack - Double Screen Track Kit / 5 1/4" Wall

Note:

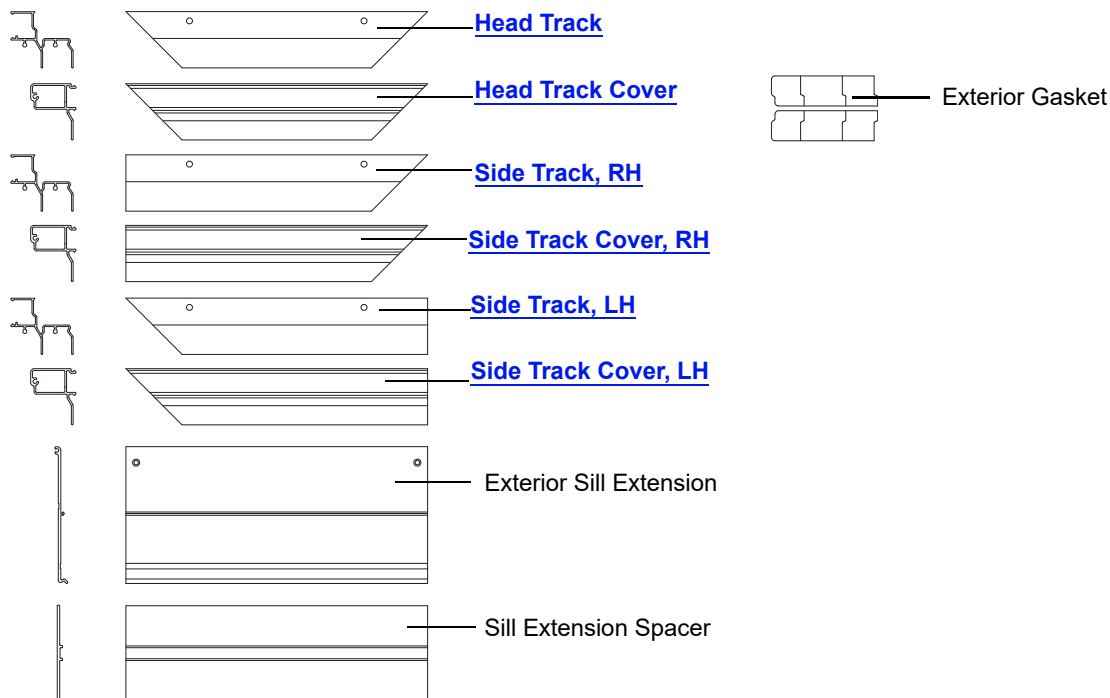
Screw packs are available for 5 1/4", 6 9/16" and 7 9/16" double screen track kits. Order by description.

Pack Includes:

Screws, spacers, latches, gaskets and rivets.

Insect Screens

Double Insect Screen Track Kit with Screws - 6 9/16" Wall



Kit Includes:

Head track, head track cover, side tracks, side track covers, exterior sill extension, sill extension spacer, screw packs and exterior gasket.

Unit No.	Type	White	Terratone®	Sandtone	Forest Green
FWH5068	AP/PA	2577713	2667913	0921313	1267779
FWH50611	AP/PA	2577725	2667925	0921311	1267785
FWH5080	AP/PA	2577716	2667916	0921316	1267782
FWH5468	AP/PA	2577714	2667914	0921314	1267780
FWH54611	AP/PA	2577726	2667926	0921312	1267786
FWH5480	AP/PA	2577717	2667917	0921317	1267783
FWH6068	AP/PA	2577715	2667915	0921315	1267781
FWH60611	AP/PA	2577727	2667927	0921325	1267787
FWH6080	AP/PA	2577718	2667918	0921318	1267784

Screw Pack - Double Screen Track Kit / 6 9/16" Wall

Note:

Screw packs are available for 5 1/4", 6 9/16" and 7 9/16" double screen track kits. Order by description.

Pack Includes:

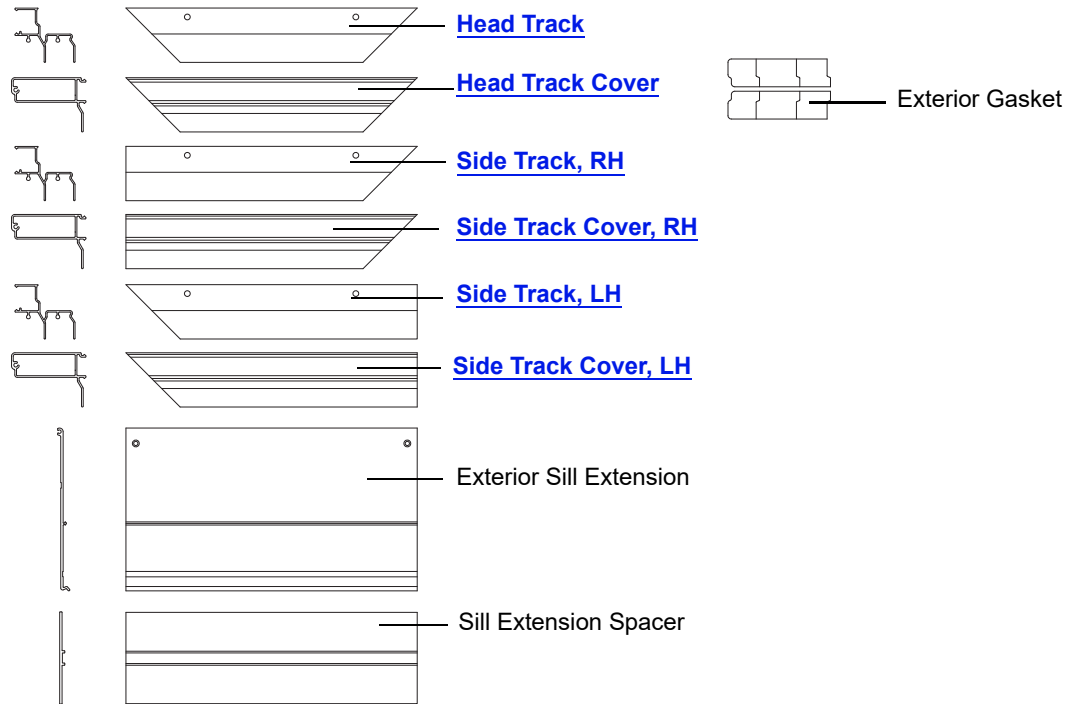
Screws, spacers, latches, gaskets and rivets.

400 Series Frenchwood® Hinged Doors (1988 to Present)

2 Panel, 3 Panel, and Stationary

Insect Screens

Double Insect Screen Track Kit with Screws - 7 9/16" Wall



Kit Includes:

Head track, head track cover, side tracks, side track covers, exterior sill extension, sill extension spacer, screw packs and exterior gasket.

Unit No.	Type	White	Terratone®	Sandtone	Forest Green
FWH5068	AP/PA	2577719	2667919	0921319	1267788
FWH50611	AP/PA	2577728	2667928	0921326	1267794
FWH5080	AP/PA	2577722	2667922	0921322	1267791
FWH5468	AP/PA	2577720	2667920	0921320	1267789
FWH54611	AP/PA	2577729	2667929	0921327	1267795
FWH5480	AP/PA	2577723	2667923	0921323	1267792
FWH6068	AP/PA	2577721	2667921	0921321	1267790
FWH60611	AP/PA	2577730	2667930	0921328	1267796
FWH6080	AP/PA	2577724	2667924	0921324	1267793

Screw Pack - Double Screen Track Kit / 7 9/16" Wall

Note:

Screw packs are available for 5 1/4", 6 9/16" and 7 9/16" double screen track kits. Order by description.

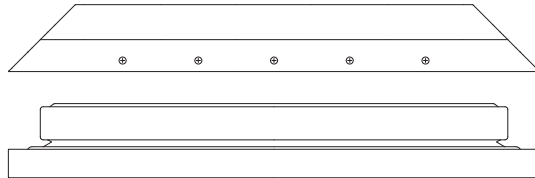
Pack Includes:

Screws, spacers, latches, gaskets and rivets.

Insect Screens

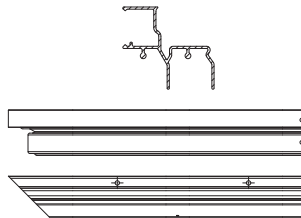
Double Insect Screen Tracks

Double Insect Screen Track - Head



Unit No.	Type	Length	White	Terratone®	Sandtone	Forest Green
FWH50	AP/PA	59 1/4	2578720	2668420	0924410	1267767
FWH54	AP/PA	63 1/4	2578721	2668421	0924411	1267768
FWH60	AP/PA	71 1/4	2578722	2668422	0924412	1267769

Double Insect Screen Track - Side



Unit No.	Type	Length	White		Terratone®		Sandtone		Forest Green	
			Left	Right	Left	Right	Left	Right	Left	Right
FWH68	AP/PA	79 13/64	2578724	2578726	2668424	2668426	0924414	0924416	1267797	1267798
FWH611	AP/PA	82 5/64	2578723	2578725	2668425	2668427	0924415	0924417	1267799	1267801
FWH80	AP/PA	95 13/64	2578728	2578730	2668428	2668430	0924418	0924420	1267802	1267803

400 Series Frenchwood® Hinged Doors (1988 to Present)

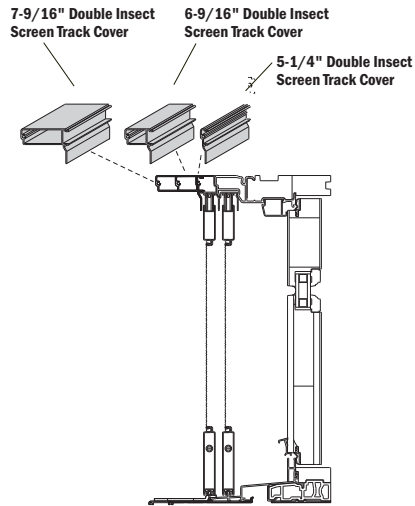
2 Panel, 3 Panel, and Stationary

Insect Screens

Double Insect Screen Track Covers (Head)

Note:

See [Accessory Guide 0005207](#).



Head Track Cover - 5 1/4" Wall

Unit No.	White	Terratone®	Sandtone	Forest Green
FWH50	2578732	2668432	0924422	1267410
FWH54	2578733	2668433	0924423	1267411
FWH60	2578734	2668434	0924424	1267412

Head Track Cover - 6 9/16" Wall

Unit No.	White	Terratone®	Sandtone	Forest Green
FWH50	2578743	2668443	0924433	1267413
FWH54	2578744	2668444	0924434	1267414
FWH60	2578745	2668445	0924435	1267415

Head Track Cover - 7 9/16" Wall

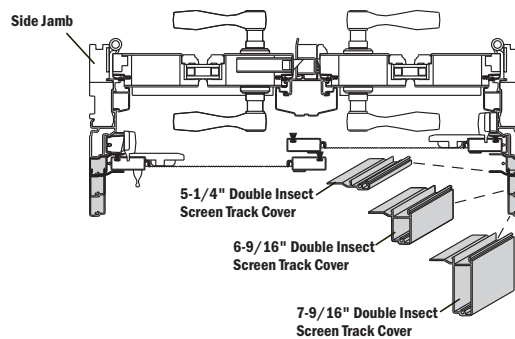
Unit No.	White	Terratone®	Sandtone	Forest Green
FWH50	2578746	2668446	0924436	1267416
FWH54	2578747	2668447	0924437	1267417
FWH60	2578748	2668448	0924438	1267418

Insect Screens

Double Insect Screen Track Covers (Side)

Note:

See [Accessory Guide 0005207](#). Handing determined as viewed from exterior.



Side Track Cover - 5 1/4" Wall

Unit No.	White		Terratone®		Sandtone		Forest Green	
	Left	Right	Left	Right	Left	Right	Left	Right
FWH68	2578736	2578738	2668436	2668438	0924426	0924428	1267419	1267420
FWH611	2578727	2578729	2668437	2668439	0924419	0924421	1267421	1267422
FWH80	2578740	2578742	2668440	2668442	0924430	0924432	1267423	1267424

Side Track Cover - 6 9/16" Wall

Unit No.	White		Terratone®		Sandtone		Forest Green	
	Left	Right	Left	Right	Left	Right	Left	Right
FWH68	2578749	2578750	2668449	2668450	0924439	0924440	1267425	1267426
FWH611	2578731	2578735	2668487	2668488	0924425	0924427	1267427	1267428
FWH80	2578751	2578752	2668451	2668452	0924441	0924442	1267429	1267430

Side Track Cover - 7 9/16" Wall


Unit No.	White		Terratone®		Sandtone		Forest Green	
	Left	Right	Left	Right	Left	Right	Left	Right
FWH68	2578753	2578754	2668453	2668454	0924443	0924444	1267431	1267432
FWH611	2578737	2578739	2668489	2668490	0924429	0924431	1267433	1267434
FWH80	2578755	2578756	2668455	2668456	0924445	0924446	1267435	1267436

400 Series Frenchwood® Hinged Doors (1988 to Present)

2 Panel, 3 Panel, and Stationary

Insect Screens

Universal Insect Rescreening Kits

	Note: One size fits all doors. See Service Guide 0001667 . See Service Video .	Order No.
	Kit Includes: (2) Polyethylene splines (large and small) (1) Fiberglass insect screen cloth (1) Wood spacer bar (1) Spline roller	1274712

Grilles

Interior Grilles - Custom

Note:

See [Accessory Guide 0005285](#). See [Interior Grille Installation Video](#). Grilles include fasteners. Interior removable grilles for custom sizes/patterns are made to order. Product ID label is located on head jamb frame cover.

To order, state:

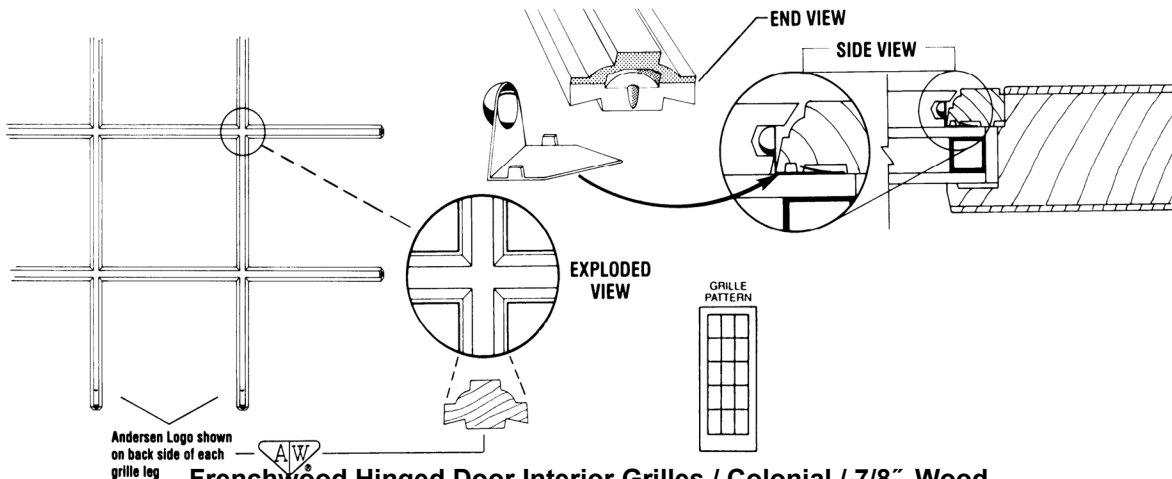
1. Description of part (Interior Grilles)
2. Quantity
3. Product ID (from product label, see [Service Guide 9051877](#).)

Interior Grilles - Colonial / 7/8" Wood / Natural Interior

Note:

See [Accessory Guide 0005285](#). See [Interior Grille Installation Video](#). Grilles include fasteners.

Interior Grilles - Colonial / 7/8" Wood / Maple



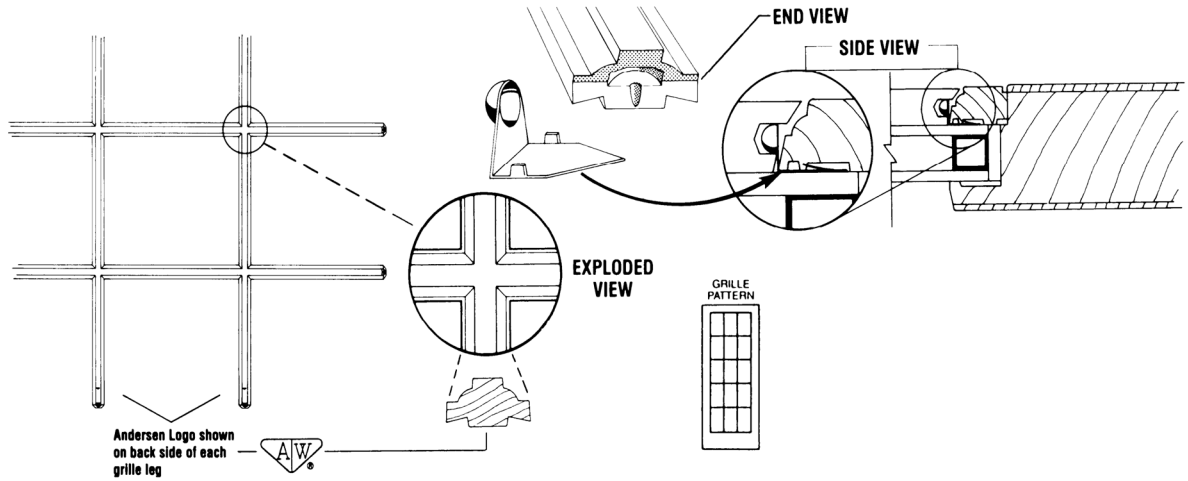
Unit No.	Dimensions (w x h)	Color/Species				
		Exterior				
		White	Terratone	Sandtone	Forest Green	
		Interior				
		MAPLE				
21	FWH2168	13 9/16 x 63 3/4	2576109	2666113	0921013	1265914
	FWH21611	13 9/16 x 66 5/8	2576111	2666114	0921014	1265915
	FWH2180	13 9/16 x 79 3/4	2576113	2666115	0921015	1265916
27	FWH2768	19 3/16 x 63 3/4	2576102	2666102	0921002	1265917
	FWH27611	19 3/16 x 66 5/8	2576103	2666103	0921003	1265918
	FWH2780	19 3/16 x 79 3/4	2576108	2666108	0921008	1265923
29	FWH2968	21 3/16 x 63 3/4	2576104	2666104	0921004	1265919
	FWH29611	21 3/16 x 66 5/8	2576105	2666105	0921005	1265920
	FWH2980	21 3/16 x 79 3/4	2576110	2666110	0921010	1265924
31	FWH3168	25 3/16 x 63 3/4	2576106	2666106	0921006	1265921
	FWH31611	25 3/16 x 66 5/8	2576107	2666107	0921007	1265922
	FWH3180	25 3/16 x 79 3/4	2576112	2666112	0921012	1265925

400 Series Frenchwood® Hinged Doors (1988 to Present)

2 Panel, 3 Panel, and Stationary

Grilles

Interior Grilles - Colonial / 7/8" Wood / Oak



Frenchwood Hinged Door Interior Grilles / Colonial / 7/8" Wood

Unit No.	Dimensions (w x h)	Color/Species				
		Exterior				
		White	Terratone	Sandtone	Forest Green	
		Interior				
		OAK				
21	FWH2168	13 9/16 x 63 3/4	2576114	2666116	0921016	1265926
	FWH21611	13 9/16 x 66 5/8	2576118	2666120	0921020	1265930
	FWH2180	13 9/16 x 79 3/4	2576122	2666124	0921024	1265934
27	FWH2768	19 3/16 x 63 3/4	2576115	2666117	0921017	1265927
	FWH27611	19 3/16 x 66 5/8	2576119	2666121	0921021	1265931
	FWH2780	19 3/16 x 79 3/4	2576123	2666125	0921025	1265935
29	FWH2968	21 3/16 x 63 3/4	2576116	2666118	0921018	1265928
	FWH29611	21 3/16 x 66 5/8	2576120	2666122	0921022	1265932
	FWH2980	21 3/16 x 79 3/4	2576124	2666126	0921026	1265936
31	FWH3168	25 3/16 x 63 3/4	2576117	2666119	0921019	1265929
	FWH31611	25 3/16 x 66 5/8	2576121	2666123	0921023	1265933
	FWH3180	25 3/16 x 79 3/4	2576125	2666127	0921027	1265937

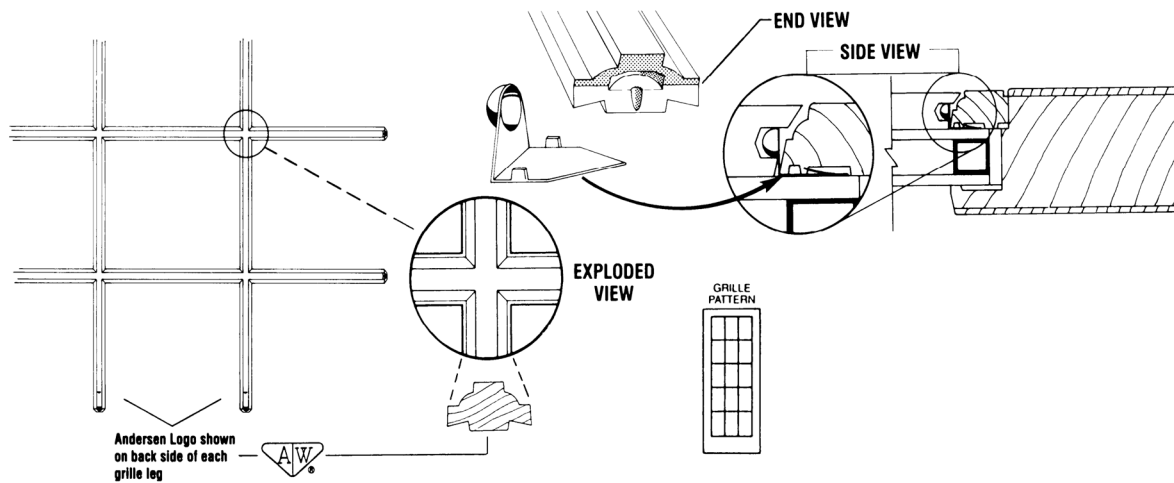
Grilles

Interior Grilles - Colonial / 7/8" Wood / Prefinished Interior

Note:

See [Accessory Guide 0005285](#). See [Interior Grille Installation Video](#). Grilles include fasteners.

Interior Grilles - Colonial / 7/8" Wood / Prefinished Interior



Frenchwood Hinged Door Interior Grilles / Colonial / 7/8" Wood

Unit No.		Dimensions (w x h)	Color/Finish			
			Exterior			
			White	Terratone	Sandtone	Forest Green
			Interior			
			White	Terratone	Sandtone	Forest Green
21	FWH2168	13 9/16 × 63 3/4	2576126	By description	By description	By description
	FWH21611	13 9/16 × 66 5/8	2576130	By description	By description	By description
	FWH2180	13 9/16 × 79 3/4	2576134	By description	By description	By description
27	FWH2768	19 3/16 × 63 3/4	2576127	By description	By description	By description
	FWH27611	19 3/16 × 66 5/8	2576131	By description	By description	By description
	FWH2780	19 3/16 × 79 3/4	2576135	By description	By description	By description
29	FWH2968	21 3/16 × 63 3/4	2576128	By description	By description	By description
	FWH29611	21 3/16 × 66 5/8	2576132	By description	By description	By description
	FWH2980	21 3/16 × 79 3/4	2576136	By description	By description	By description
31	FWH3168	25 3/16 × 63 3/4	2576129	By description	By description	By description
	FWH31611	25 3/16 × 66 5/8	2576133	By description	By description	By description
	FWH3180	25 3/16 × 79 3/4	2576137	By description	By description	By description

400 Series Frenchwood® Hinged Doors (1988 to Present)

2 Panel, 3 Panel, and Stationary

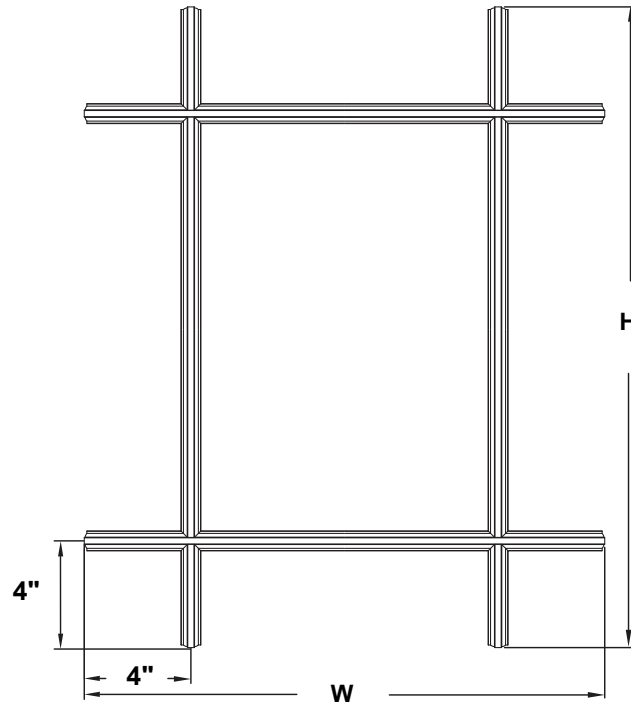
Grilles

Interior Grilles - Prairie A / 7/8" Wood / Natural Interior

Note:

See [Accessory Guide 0005285](#). See [Interior Grille Installation Video](#). Grilles include fasteners.

Interior Grilles - Prairie A / 7/8" Wood / Maple

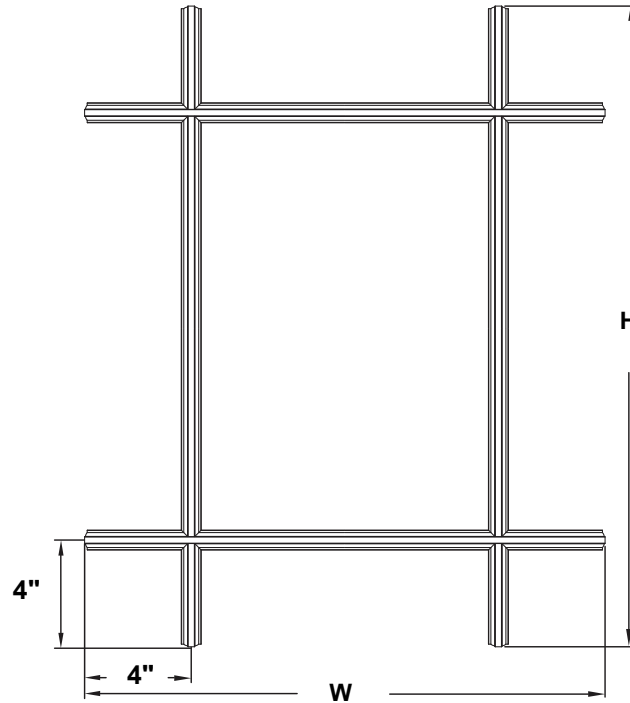


Frenchwood Hinged Door Interior Grilles / Prairie A / 7/8" Wood

Unit No.	Dimensions (w x h)	Color/Species				
		Exterior				
		White	Terratone	Sandtone	Forest Green	
		Interior				
		MAPLE				
21	FWH2168	13 ⁹ / ₁₆ × 63 ³ / ₄	2511294	2652708	0931027	1265956
	FWH21611	13 ⁹ / ₁₆ × 66 ⁵ / ₈	2511293	2652707	0931026	1265957
	FWH2180	13 ⁹ / ₁₆ × 79 ³ / ₄	2511295	2652709	0931028	1265958
27	FWH2768	19 ³ / ₁₆ × 63 ³ / ₄	2511297	2652711	0931030	1265959
	FWH27611	19 ³ / ₁₆ × 66 ⁵ / ₈	2511296	2652710	0931029	1265960
	FWH2780	19 ³ / ₁₆ × 79 ³ / ₄	2511298	2652712	0931031	1265961
29	FWH2968	21 ³ / ₁₆ × 63 ³ / ₄	2511301	2652714	0931033	1265962
	FWH29611	21 ³ / ₁₆ × 66 ⁵ / ₈	2511299	2652713	0931032	1265963
	FWH2980	21 ³ / ₁₆ × 79 ³ / ₄	2511302	2652715	0931034	1265964
31	FWH3168	25 ³ / ₁₆ × 63 ³ / ₄	2511304	2652717	0931036	1265965
	FWH31611	25 ³ / ₁₆ × 66 ⁵ / ₈	2511303	2652716	0931035	1265966
	FWH3180	25 ³ / ₁₆ × 79 ³ / ₄	2511305	2652718	0931037	1265967

Grilles

Interior Grilles - Prairie A / 7/8" Wood / Oak



Frenchwood Hinged Door Interior Grilles / Prairie A / 7/8" Wood

Unit No.	Dimensions (w x h)	Color/Species				
		Exterior				
		White	Terratone	Sandtone	Forest Green	
		Interior 				
21	FWH2168	13 ⁹ / ₁₆ × 63 ³ / ₄	2511338	2652751	0931070	1265968
	FWH21611	13 ⁹ / ₁₆ × 66 ⁵ / ₈	2511337	2652750	0931069	1265969
	FWH2180	13 ⁹ / ₁₆ × 79 ³ / ₄	2511339	2652752	0931071	1265970
27	FWH2768	19 ³ / ₁₆ × 63 ³ / ₄	2511341	2652754	0931073	1265971
	FWH27611	19 ³ / ₁₆ × 66 ⁵ / ₈	2511340	2652753	0931072	1265972
	FWH2780	19 ³ / ₁₆ × 79 ³ / ₄	2511342	2652755	0931074	1265973
29	FWH2968	21 ³ / ₁₆ × 63 ³ / ₄	2511344	2652757	0931076	1265974
	FWH29611	21 ³ / ₁₆ × 66 ⁵ / ₈	2511343	2652756	0931075	1265975
	FWH2980	21 ³ / ₁₆ × 79 ³ / ₄	2511345	2652758	0931077	1265976
31	FWH3168	25 ³ / ₁₆ × 63 ³ / ₄	2511347	2652760	0931079	1265977
	FWH31611	25 ³ / ₁₆ × 66 ⁵ / ₈	2511346	2652759	0931078	1265978
	FWH3180	25 ³ / ₁₆ × 79 ³ / ₄	2511348	2652761	0931080	1265979

400 Series Frenchwood® Hinged Doors (1988 to Present)

2 Panel, 3 Panel, and Stationary

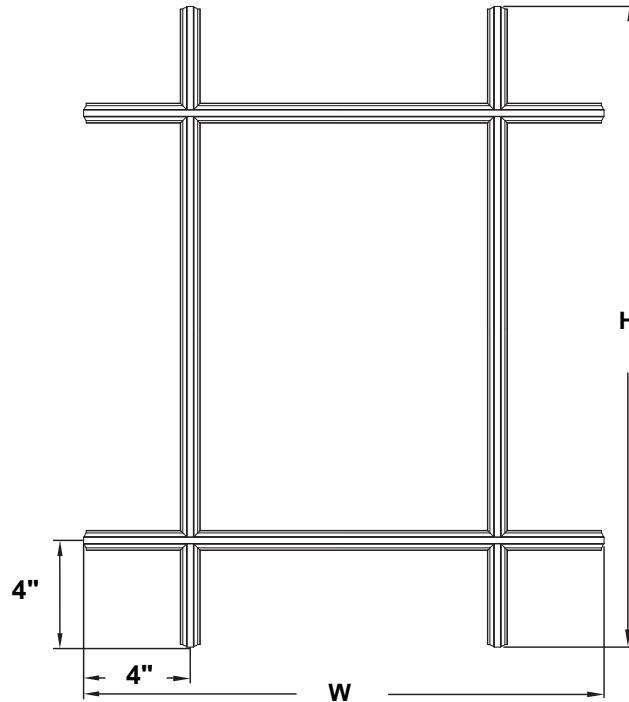
Grilles

Interior Grilles - Prairie A / 7/8" Wood / Prefinished Interior

Note:

See [Accessory Guide 0005285](#). See [Interior Grille Installation Video](#). Grilles include fasteners.



Interior Grilles - Prairie A / 7/8" Wood / Prefinished Interior



Frenchwood Hinged Door Interior Grilles / Prairie A / 7/8" Wood

		Color/Finish	Exterior			
			White	Terratone	Sandtone	Forest Green
Unit No.		Dimensions (w x h)	Interior			
			White	Terratone	Sandtone	Forest Green
21	FWH2168	13 ⁹ / ₁₆ × 63 ³ / ₄	2511251	By description	By description	By description
	FWH21611	13 ⁹ / ₁₆ × 66 ⁵ / ₈	2511250	By description	By description	By description
	FWH2180	13 ⁹ / ₁₆ × 79 ³ / ₄	2511252	By description	By description	By description
27	FWH2768	19 ³ / ₁₆ × 63 ³ / ₄	2511254	By description	By description	By description
	FWH27611	19 ³ / ₁₆ × 66 ⁵ / ₈	2511253	By description	By description	By description
	FWH2780	19 ³ / ₁₆ × 79 ³ / ₄	2511255	By description	By description	By description
29	FWH2968	21 ³ / ₁₆ × 63 ³ / ₄	2511257	By description	By description	By description
	FWH29611	21 ³ / ₁₆ × 66 ⁵ / ₈	2511256	By description	By description	By description
	FWH2980	21 ³ / ₁₆ × 79 ³ / ₄	2511258	By description	By description	By description
31	FWH3168	25 ³ / ₁₆ × 63 ³ / ₄	2511260	By description	By description	By description
	FWH31611	25 ³ / ₁₆ × 66 ⁵ / ₈	2511259	By description	By description	By description
	FWH3180	25 ³ / ₁₆ × 79 ³ / ₄	2511261	By description	By description	By description

Grilles

Interior Grille Parts		
Grille Fastener for Wood Stop		
		Order No.
		1974314
Grille Installation Tool		
		Order No.
		9019326

400 Series Frenchwood® Hinged Doors (1988 to Present)

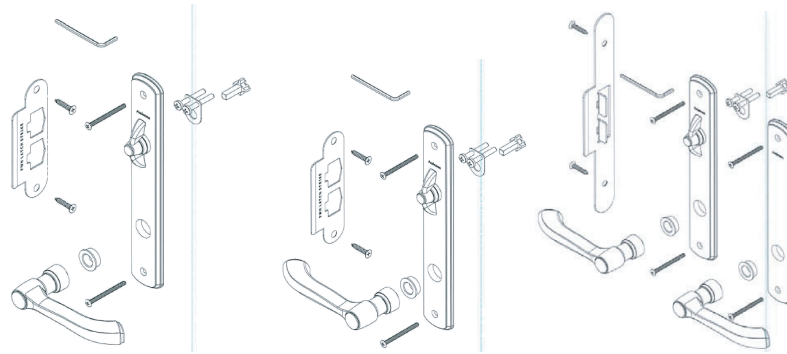
2 Panel, 3 Panel, and Stationary

Hardware

Half Trim Set Kits - Interior

Note:

Interior half trim sets are available for Newbury®, Covington™, Encino®, Yuma®, Anvers®, Whitmore®, Tribeca®, and Albany Hardware.



Albany Style Shown

Sets include:	AR	AL	AP/PA
Handle, RH Hinged*	NA	1	1
Handle, LH Hinged*	1	NA	1
Plate, Escutcheon, Inside Active Hinged	1	1	1
Turn Knob	1	1	1
Bushing Trim Adaptor	1	1	2
Screw, 1/4-20 UNC SS, KNURL CUP PT SET	1	1	2
Limiting Plate	1	1	1
Actuator, Lock	1	1	1
Screw, #10 Fill HD, PH, M5X.8-35MM, Zinc	2	2	2
Screw, #8-32UNC x 2, PH Oval HD, MACH	2	2	4
1/8 Allen Wrench	1	1	1
Plate, Escutcheon, Inside Passive Hinged	NA	NA	1
Strike, Plate Single	1	1	NA
Screw, #10 x 1.000 PH FH S/M/S	2	2	2
Strike, Plate Double	NA	NA	1

*Pack has a RH handle for an active left door and a LH handle for an active right door and both for AP/PA.

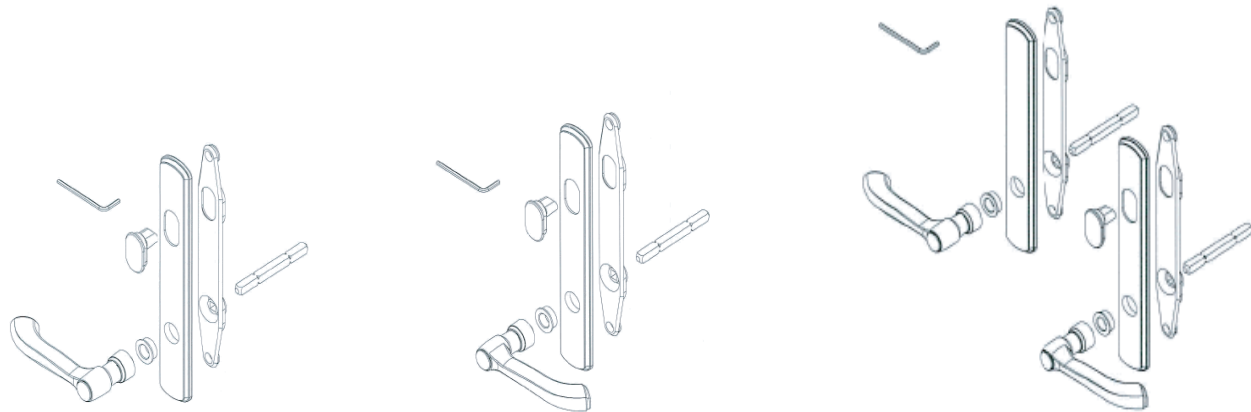
Hardware

Half Trim Set Kits - Exterior

Note:

Exterior half trim sets are available for Newbury®, Covington™, Encino®, Yuma®, Anvers®, Whitmore®, Tribeca®, and Albany Hardware.

Tribeca® includes threaded studs.



Albany Style Shown

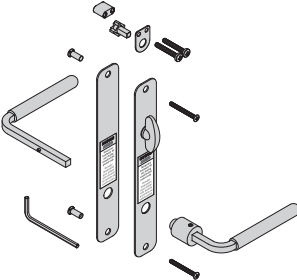
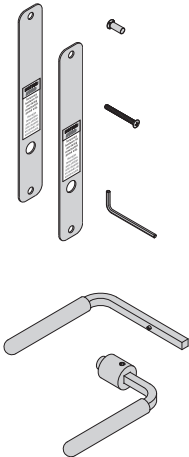
Sets include:	AR	AL	AP/PA
Handle, RH Hinged*	1	N/A	1
Handle, LH Hinged*	N/A	1	1
Plate, Outside Active	1	1	1
Gasket, Trimset	1	1	2
Straight Spindle	1	1	2
Screw, 1/4-20 UNC SS, KNURL CUP PT SET	1	1	2
Cylinder, Dummy	1	1	1
Plate, Outside Passive	N/A	N/A	1
Bushing Trim Adapter	1	1	2
1/8 Allen Wrench	1	1	1

*Pack has a LH handle for an active left door and a RH handle for an active right door and both for AP/PA.

400 Series Frenchwood® Hinged Doors (1988 to Present)

2 Panel, 3 Panel, and Stationary

Hardware

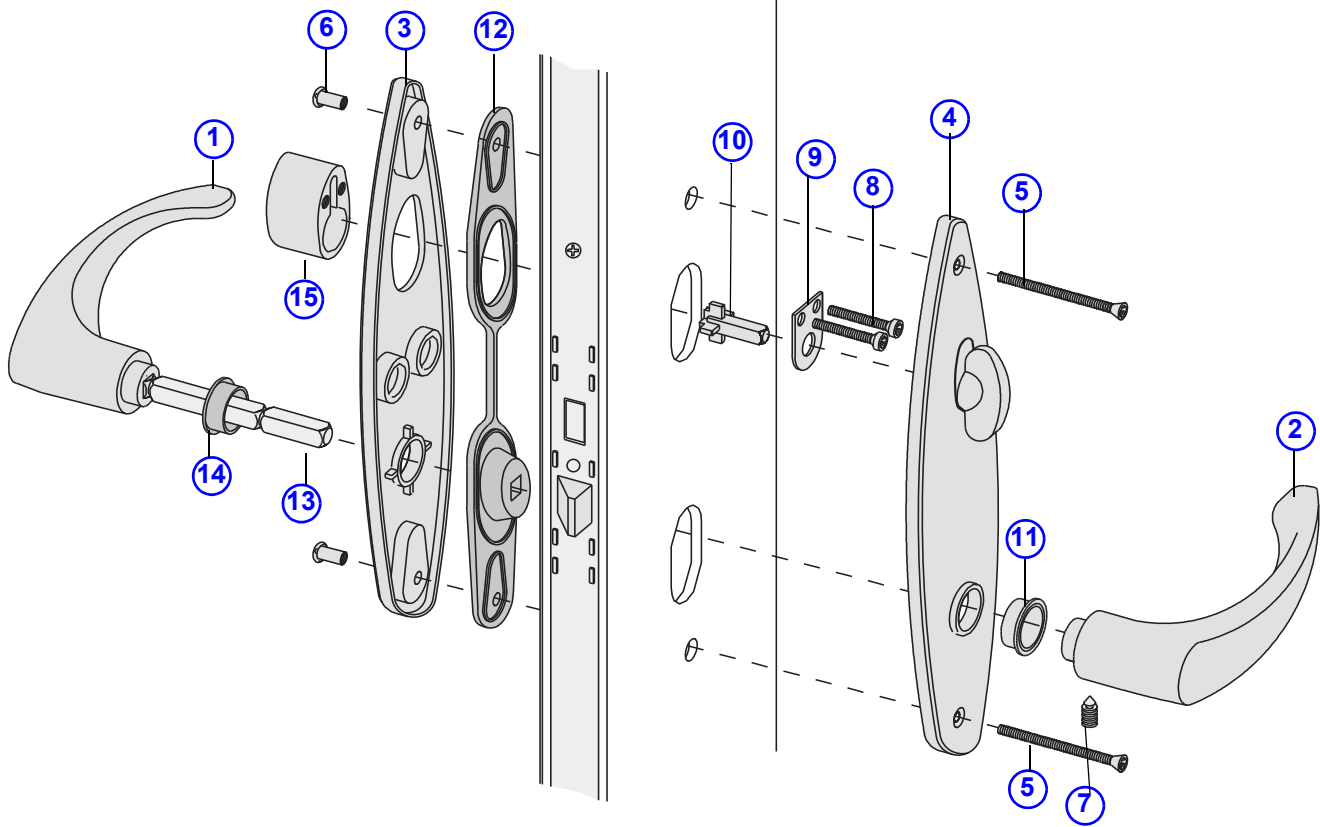
Construction Trim Set		
Construction Trim Set - Active		
	<p>Kit Includes:</p> <p>Kit Includes:</p> <ul style="list-style-type: none"> (1) Plate, passive outside (1) Plate, active inside (assembly) (1) Handle, exterior (assembly) (1) Handle, interior (assembly) (1) Actuator, lock (assembly) (1) Plate, limiting (2) Screws, M5 X .8-35MM PH w/#10 Fill Head Machine, Zinc (1) Retainer, bolt (2) Studs, tapped (2) Screws, #8-32 UNC X 1.625, PH W/#10 Oval Head, Machine (1) Wrench, Allen, 1/8 (1) Guide and instructions 	<p>Order No.</p> <p>9020356</p>
Construction Trim Set - Passive		
	<p>Kit Includes:</p> <ul style="list-style-type: none"> (1) Plate, passive outside (1) Handle, exterior (assembly) (1) Handle, interior (assembly) (2) Studs, tapped (2) Screws, #8-32 UNC X 1.625, PH W/#10 Oval Head, Machine (1) Wrench, Allen, 1/8 (1) Guide and instructions 	<p>Order No.</p> <p>9020357</p>

Hardware

Hardware - Tribeca®

Note:

See [Accessory Guide 0005156](#). Metro hardware on Frenchwood Hinged doors manufactured from 1999 to 2004 uses Tribeca® replacement hardware.



- | | | |
|---|--|-------------------------------------|
| 1. Exterior Handle (LH Shown) | 6. Escutcheon Plate Mounting Studs | 11. Nylon Bushing |
| 2. Interior Handle (RH Shown) | 7. Handle Set Screw (Package) | 12. Trim Set Gasket |
| 3. Active Exterior Escutcheon Plate | 8. Key Cylinder Mounting Bolts | 13. Spindle |
| 4. Active Interior Escutcheon Plate | 9. Lock Limiting Plate | 14. Nylon Bushing |
| 5. Escutcheon Plate Bolts | 10. Lock Actuator | 15. Dummy Cylinder |

Tribeca® Hinged Patio Door Hardware - Single Trim Set

400 Series Frenchwood® Hinged Doors (1988 to Present)

2 Panel, 3 Panel, and Stationary

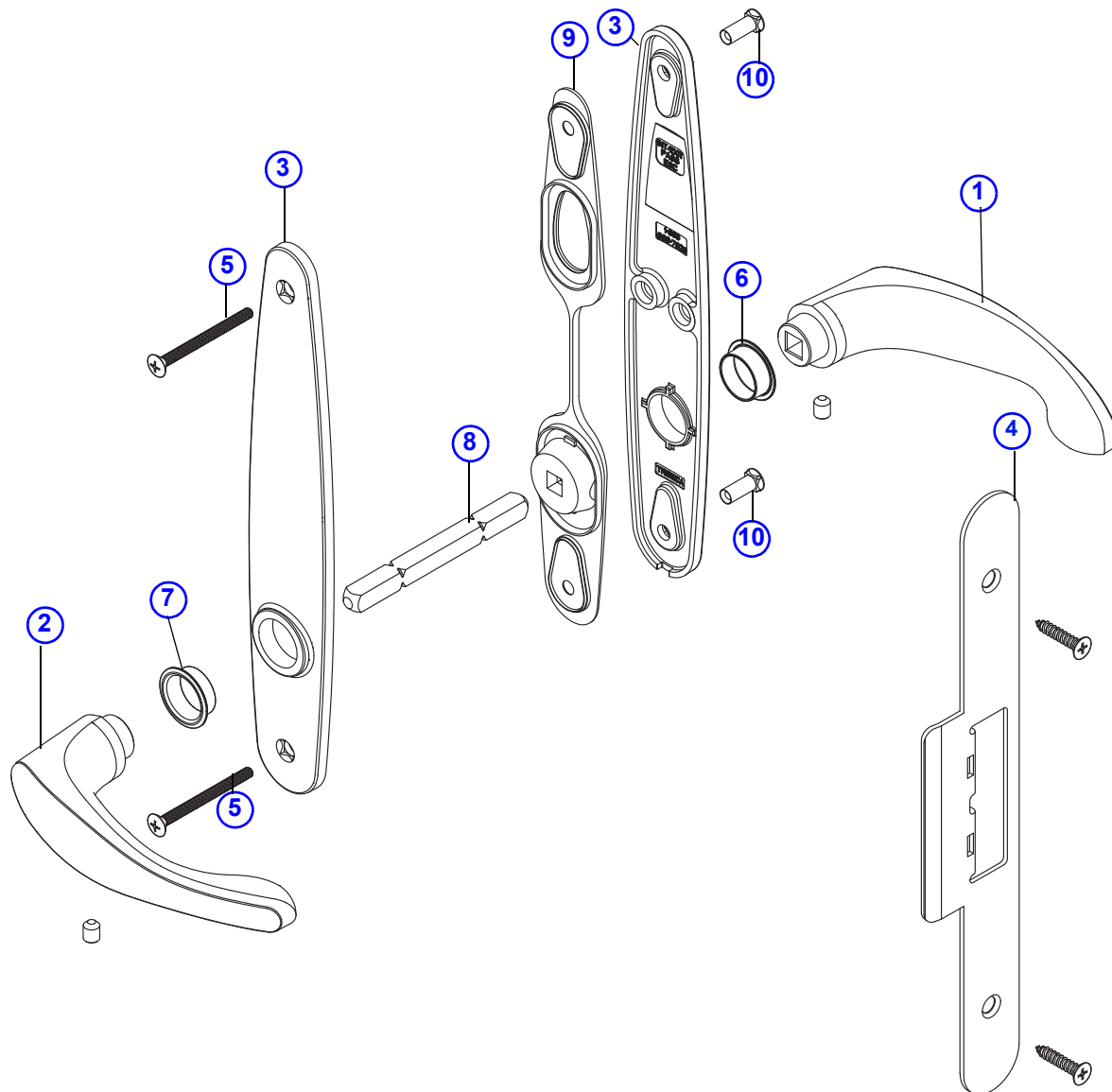
Hardware

Tribeca® Hardware - Passive Hardware Illustration

Note:

See [Accessory Guide 0004286](#).

Note: Additional parts with Double Hardware Set



1. [Exterior Handle \(LH Shown\)](#)
2. [Interior Handle \(RH Shown\)](#)
3. [Passive Exterior/Interior Escutcheon Plate](#)
4. [AP/PA Strike Plate](#)
5. [Escutcheon Plate Bolts](#)

6. [Nylon Bushing](#)
7. [Nylon Bushing](#)
8. [Spindle](#)
9. [Trim Set Gasket](#)
10. [Escutcheon Plate Mounting Studs](#)

Tribeca® Hinged Patio Door Hardware - Double Trim Set

Hardware

Complete Trim Set - Tribeca® / Interior and Exterior See Illustration page 104 and page 105				
Note: Metro hardware on Frenchwood Hinged doors manufactured from 1999 to 2004 uses Tribeca® replacement hardware.	Finish	Single		Double AP/PA
	Stone	2577557		2577558
	White	2577555		2577556
	Black	9184681		9184682
Trim Set - Tribeca® / Interior See Illustration page 101 See Handing Illustration page 5				
	Finish	Single		Double AP/PA
		Left	Right	Order No.
	Stone	2572662	2572772	2572663
	White	2572660	2572771	2572661
Black	9184670	9184673	9184671	
Trim Set - Tribeca® / Exterior See Illustration page 102 See Handing Illustration page 5				
	Finish	Single		Double AP/PA
		Left	Right	Order No.
	Stone	2572603	2572750	2572604
	White	2572601	2572749	2572602
Black	9184668	9184672	9184669	

Lever Handle with Screws - Tribeca® Ref. No. 1 and 2 page 104 and page 105 See Handing Illustration page 5				
<p>Left Hand</p> <p>Right Hand</p>	Finish	Left	Right	
	Stone	2579848	2579849	
	White	2579835	2579836	
	Black	9184685	9184686	

Escutcheon Plate - Tribeca® Ref. No. 3 and 4 page 104 and page 105					
<p>Active Interior</p> <p>Active Exterior</p> <p>Passive</p>	Finish	Active Interior	Active Exterior	Passive Interior/ Exterior	
	Stone	2579852	2579854	2579853	
	White	2579839	2579841	2579840	
	Black	9184687	9184689	9184688	

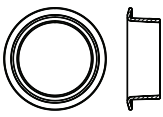
Gasket - Trim Set / Tribeca® Ref. No. 12 & 12 page 104 and page 105 (1999 to Present)		
	Note: Use for Tribeca® trim set. Tribeca® (Metro™) gaskets prior to 1999 are available in the service only section page 140	Order No.
		2962513

400 Series Frenchwood® Hinged Doors (1988 to Present)

2 Panel, 3 Panel, and Stationary

Hardware

Bushing - Tribeca® Ref. No. 11 & 14 [page 104](#) and 6 & 7 [page 105](#)

	<p>Note: Made of Nylon. Tribeca handles made prior to November 2020 use this bushing. If replacing this vintage of bushing you will need to order the current trim set screw pack (includes bushing), handle and escutcheon plate.</p> <p>Tribeca handles made November 2020 - present use bushing included in current trim set screw pack page 135</p> <p>Replace the old style gold bushing used prior to 1999 with this bushing.</p>	<p>Clear</p> <p>N/A</p>
---	--	--------------------------------

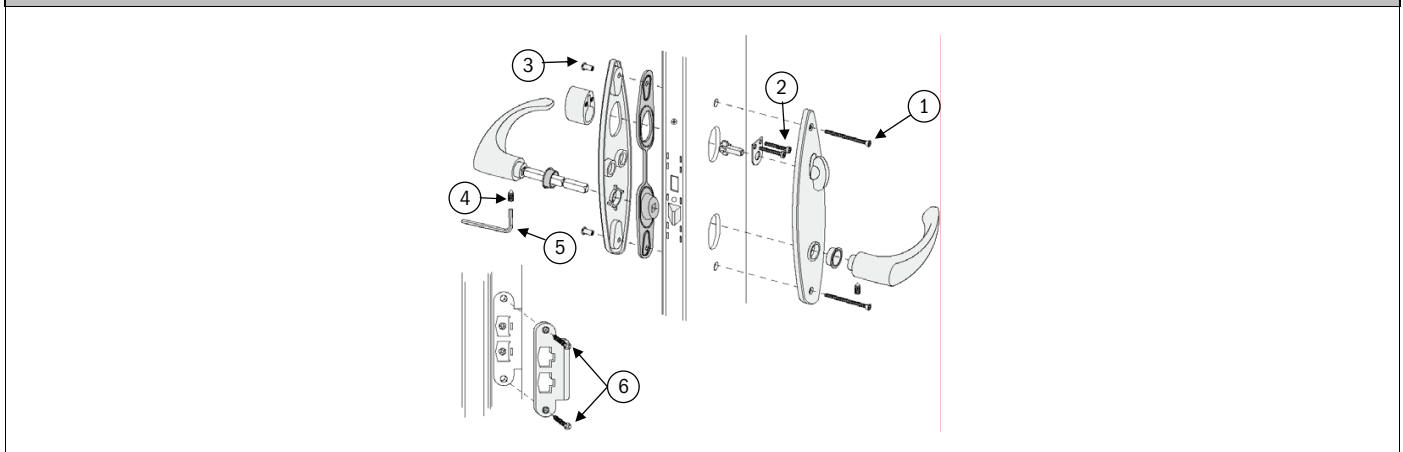
Dummy Cylinder - Lock Set / Tribeca® Ref. No. 15 [page 104](#)

	<p>Note: Use for Tribeca® trim sets.</p>	<p>Finish</p>	<p>Order No.</p>
		Stone	2579860
		White	2579847
		Black	9184691

Escutcheon Plate Bolt with Stud / Tribeca®

	<p>Description</p>	<p>Finish</p>	<p>Order No.</p>
	<p>2 - #8 - 32 x 2 PH OH MS YZP 2 - threaded studs</p>	Stone	2579855
		White	2579842
		Black	9184690

Screw Package - Trim Set / Tribeca®



Note:
Threaded stud shown as #3 not included with this kit. See escutcheon plate bolt with stud as shown above.

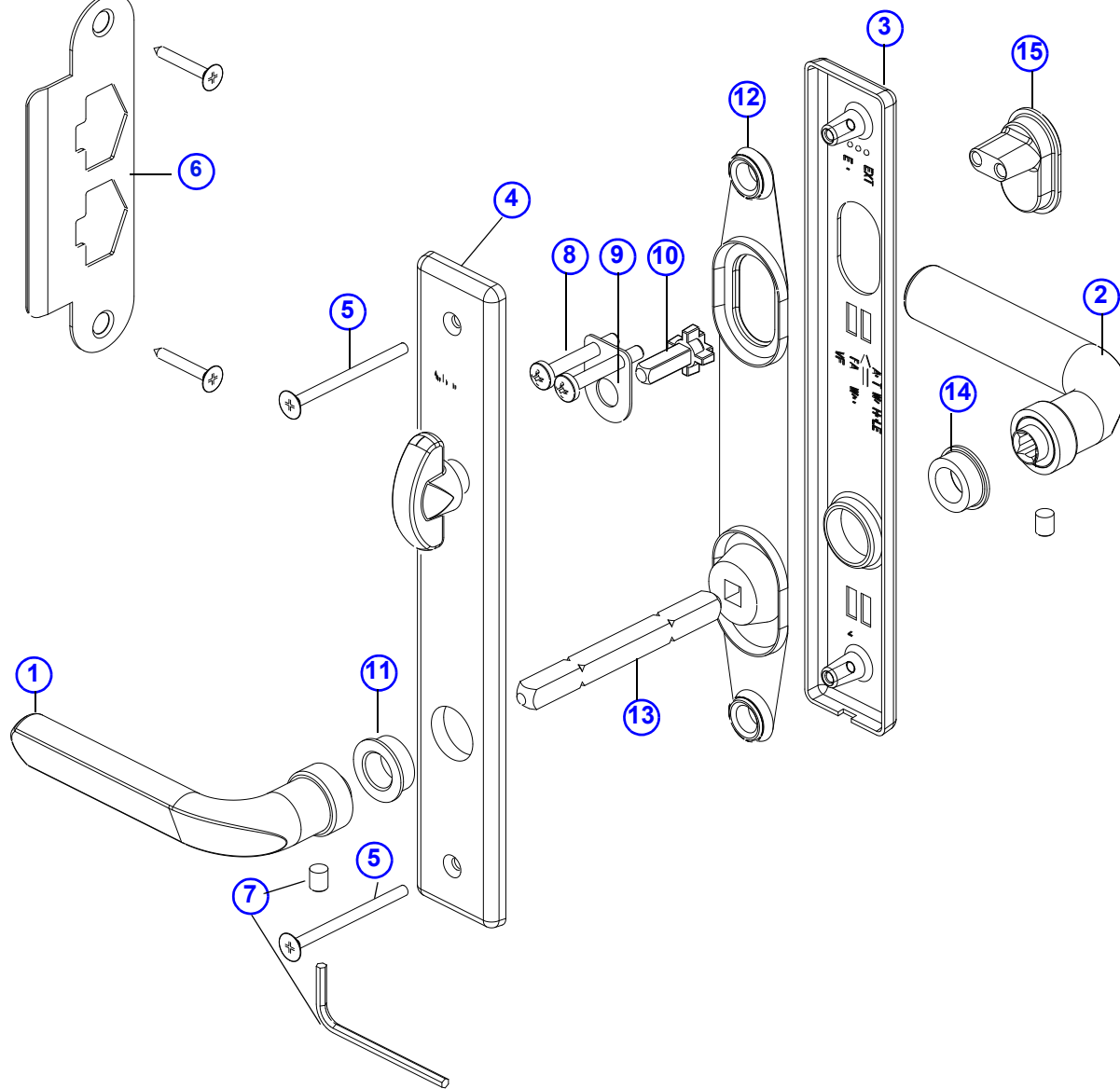
Ref. No.	Package Includes	Finish	Order No.
1	2 -screw, # 8 - 32 x 2 PH OH MS YZP	Stone	2579767
2	2 - screw, 5mm x 35 PH Pan MS YXP	White	2579766
6	2 - screw, #10 x 1" PH FH S/M/S	Black	9184684
4	2 - screw, 1/4 - 20 UNC SS knurled cup point set		
5	1 - 1/8 allen wrench		

Hardware

Hardware - Anvers®

Note:

See [Accessory Guide 0005156](#).



- | | | |
|---|--|--|
| 1. Interior Handle (LH Shown) | 6. Strike Plate | 11. Interior Nylon Bushing |
| 2. Exterior Handle (RH Shown) | 7. Handle Set Screw (Package) | 12. Trim Set Gasket |
| 3. Active Exterior Escutcheon Plate | 8. Key Cylinder Mounting Bolts | 13. Spindle |
| 4. Active Interior Escutcheon Plate | 9. Lock Limiting Plate | 14. Exterior Nylon Bushing |
| 5. Escutcheon Plate Bolts | 10. Lock Actuator | 15. Dummy Cylinder |

Anvers® Hinged Patio Door Hardware - Single Trim Set

400 Series Frenchwood® Hinged Doors (1988 to Present)

2 Panel, 3 Panel, and Stationary

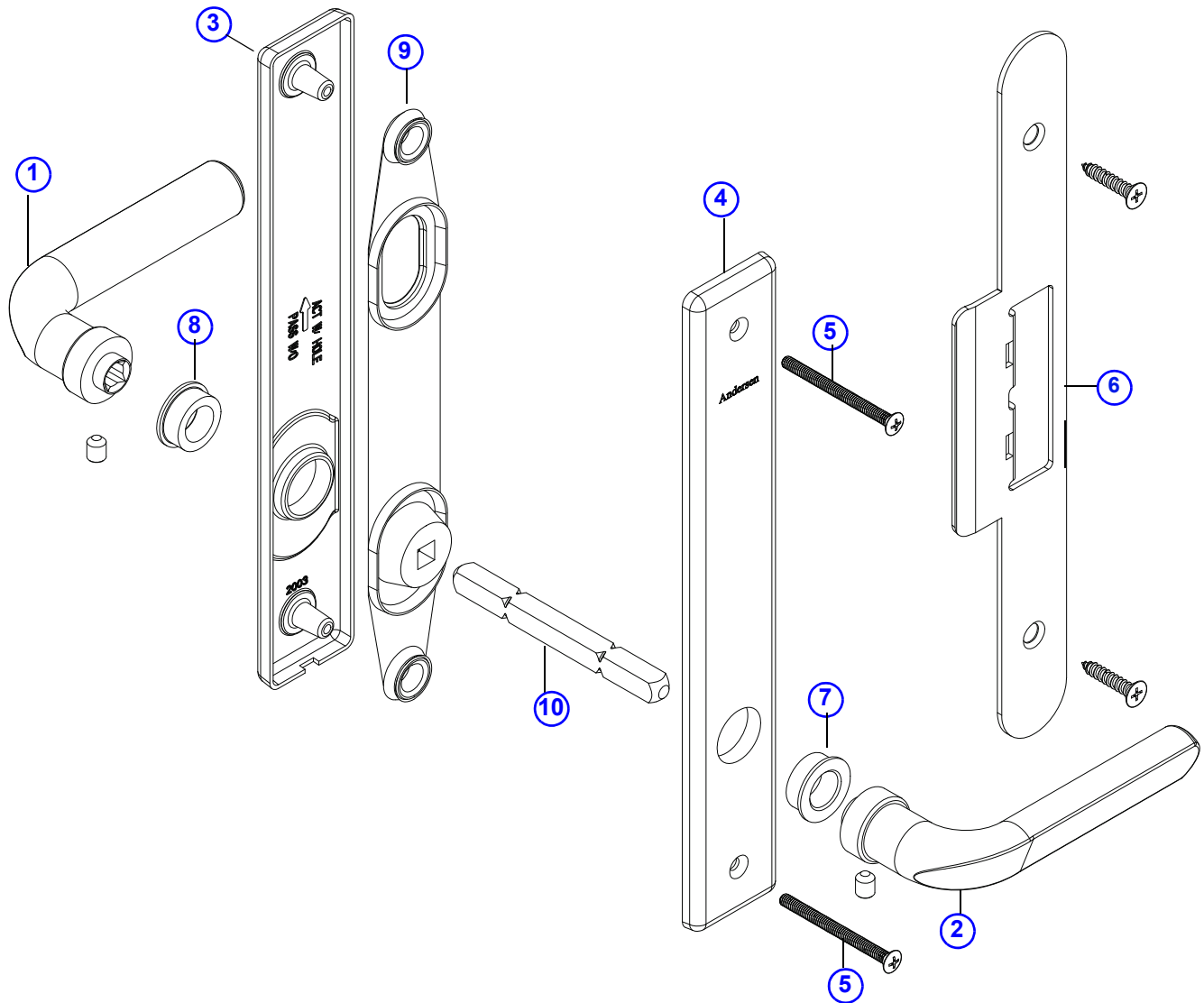
Hardware

Anvers® Hardware - Passive Hardware Illustration

Note:

See [Accessory Guide 0004286](#).

Note: Additional parts with Double Hardware Set



1. [Exterior Handle \(LH Shown\)](#)
2. [Interior Handle \(RH Shown\)](#)
3. [Passive Exterior Escutcheon Plate](#)
4. [Passive Interior Escutcheon Plate](#)
5. [Escutcheon Plate Bolts](#)
6. [AP/PA Strike Plate](#)
7. [Interior Nylon Bushing](#)
8. [Exterior Nylon Bushing](#)
9. [Trim Set Gasket](#)
10. [Spindle](#)

Anvers® Hinged Patio Door Hardware - Double Trim Set

Hardware

Complete Trim Set - Anvers / Interior and Exterior See Illustration page 108 and page 109			
	Finish	Single	Double AP/PA
	Bright Brass	2578913	2578914
	Oil Rubbed Bronze	2578917	2578918
	Satin Nickel	2578915	2578916

Trim Set - Anvers / Interior See Illustration page 101 See Handing Illustration page 5				
	Finish	Single		Double AP/PA
		Left	Right	Order No.
Bright Brass		2572676	2572779	2572677
Oil Rubbed Bronze		2572686	2572784	2572687
Satin Nickel		2572692	2572787	2572693

Trim Set - Anvers / Exterior See Illustration page 102 See Handing Illustration page 5				
	Finish	Single		Double AP/PA
		Left	Right	Order No.
Bright Brass		2572632	2572757	2572633
Oil Rubbed Bronze		2572642	2572762	2572643
Satin Nickel		2572648	2572765	2572649

Handle with Screws - Anvers Ref. No. 1 and 2 page 108 and page 109 See Handing Illustration page 5			
	Finish	Left	Right
	Bright Brass	2573719	2573720
	Oil Rubbed Bronze	2573721	2573722
	Satin Nickel	2573723	2573724

Escutcheon Plate - Anvers / Exterior Ref. No. 3 page 108 and page 109			
	Finish	Active	Passive
	Bright Brass	2573741	2573742
	Oil Rubbed Bronze	2573745	2573746
	Satin Nickel	2573749	2573750

Escutcheon Plate - Anvers / Interior Ref. No. 4 page 108 and page 109			
	Finish	Active	Passive
	Bright Brass	2573739	2573740
	Oil Rubbed Bronze	2573743	2573744
	Satin Nickel	2573747	2573748

400 Series Frenchwood® Hinged Doors (1988 to Present)

2 Panel, 3 Panel, and Stationary

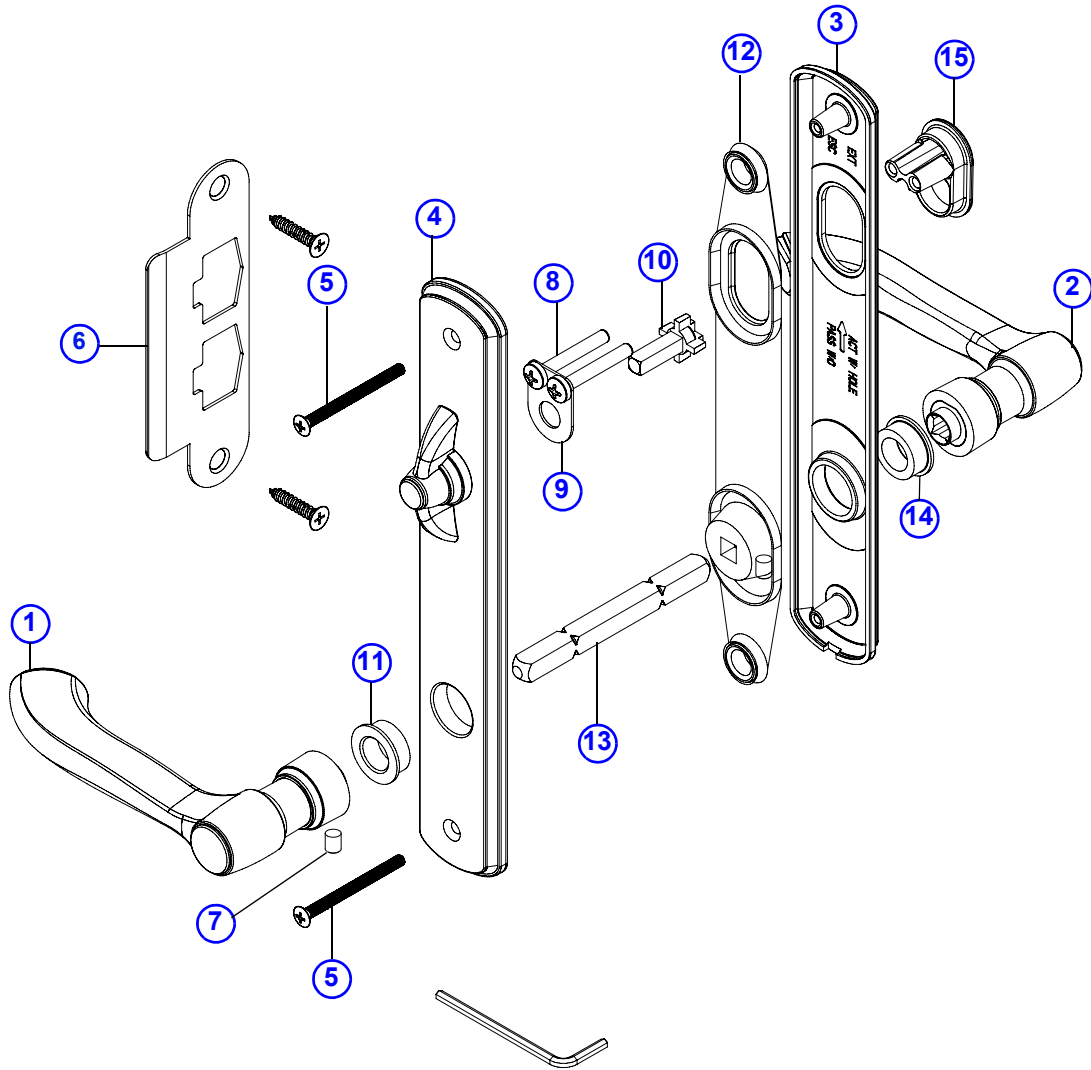
Hardware

Hardware - Albany

Note:

See [Accessory Guide 0005156](#).

Albany Hardware - Single Trim Set Illustration



- | | | |
|---|--|--|
| 1. Interior Handle (LH Shown) | 6. Strike Plate | 11. Interior Nylon Bushing |
| 2. Exterior Handle (RH Shown) | 7. Handle Set Screw (Package) | 12. Trim Set Gasket |
| 3. Active Exterior Escutcheon Plate | 8. Key Cylinder Mounting Bolts | 13. Spindle |
| 4. Active Interior Escutcheon Plate | 9. Lock Limiting Plate | 14. Exterior Nylon Bushing |
| 5. Escutcheon Plate Bolts | 10. Lock Actuator | 15. Dummy Cylinder |

Albany Hardware for Hinged Doors - Single Trim Set

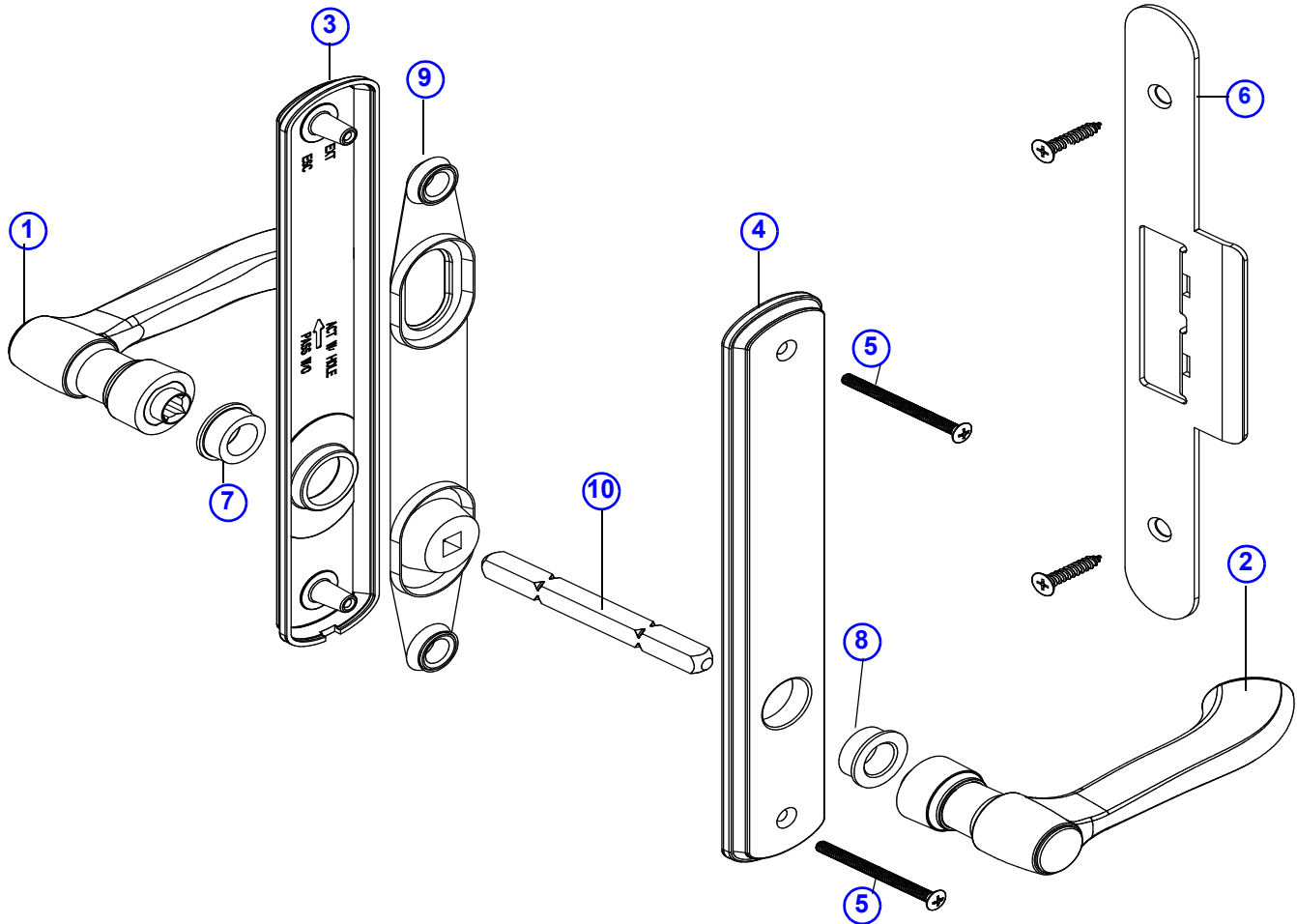
Hardware

Albany Hardware - Passive Hardware Illustration

Note:

See [Accessory Guide 0004286](#).

Note: Additional parts with Double Hardware Set



- | | |
|--|---|
| 1. Exterior Handle (LH Shown) | 6. AP/PA Strike Plate |
| 2. Interior Handle (RH Shown) | 7. Interior Nylon Bushing |
| 3. Passive Exterior Escutcheon Plate | 8. Exterior Nylon Bushing |
| 4. Passive Interior Escutcheon Plate | 9. Trim Set Gasket |
| 5. Escutcheon Plate Bolts | 10. Spindle |

Albany Hardware for Hinged Doors - Double Trim Set

400 Series Frenchwood® Hinged Doors (1988 to Present)

2 Panel, 3 Panel, and Stationary

Hardware

Complete Trim Set - Interior/Exterior Albany See Illustration page 111 and page 112			
	Finish	Single	Double AP/PA
	White	9007546	9007550
	Stone	9007547	9007551
	Gold Dust	N/A	N/A
	Black	9007549	9007553

Trim Set - Interior Albany See Illustration page 101 See Handing Illustration page 5				
	Finish	Single		Double AP/PA
		Left	Right	Order No.
	White	9007570	9007578	9007571
	Stone	9007572	9007579	9007573
	Gold Dust	N/A	N/A	N/A
	Black	9007576	9007581	9007577

Trim Set - Exterior Albany See Illustration page 102 See Handing Illustration page 5				
	Finish	Single		Double AP/PA
		Left	Right	Order No.
	White	9007582	9007590	9007583
	Stone	9007584	9007591	9007585
	Gold Dust	N/A	N/A	N/A
	Black	9007588	9007593	9007589

Lever Handle with Screws Albany Ref. No. 1 and 2 page 111 and page 112			
	Finish	Left	Right
	White	9018906	9018907
	Stone	9018908	9018909
	Gold Dust	N/A	N/A
	Black	9018912	9018913

Escutcheon Plate - Interior Albany Ref. No. 4 page 111 and page 112			
	Finish	Active	Passive AP/PA
	White	9018941	9018949
	Stone	9018942	9018950
	Gold Dust	9018943	N/A
	Black	9018944	9018952

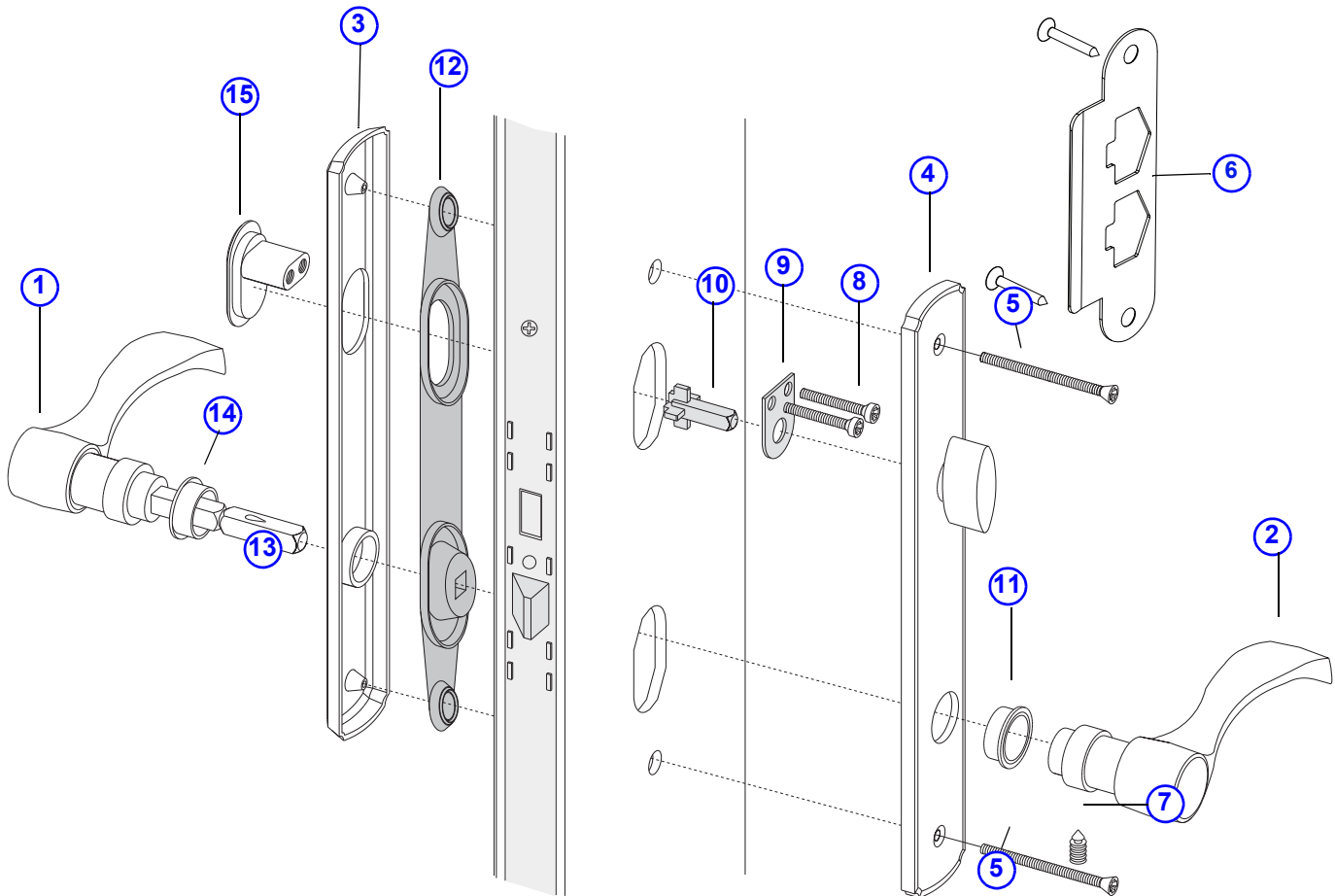
Escutcheon Plate - Exterior Albany Ref. No. 3 page 111 and page 112			
	Finish	Active	Passive AP/PA
	White	9018937	9018945
	Stone	9018938	9018946
	Gold Dust	9018939	N/A
	Black	9018940	9018948

Hardware

Hardware - Newbury®

Note:

See [Accessory Guide 0005156](#). Estate™ hardware on Frenchwood Hinged doors manufactured from 1999 to 2004 uses Newbury® replacement hardware.



- | | | |
|---|--|--|
| 1. Exterior Handle (LH Shown) | 6. Strike Plate | 11. Interior Nylon Bushing |
| 2. Interior Handle (RH Shown) | 7. Handle Set Screw (Package) | 12. Trim Set Gasket |
| 3. Active Exterior Escutcheon Plate | 8. Key Cylinder Mounting Bolts | 13. Spindle |
| 4. Active Interior Escutcheon Plate | 9. Lock Limiting Plate | 14. Exterior Nylon Bushing |
| 5. Escutcheon Plate Bolts | 10. Lock Actuator | 15. Dummy Cylinder |

Newbury® Hardware for Hinged Doors - Single Trim Set

400 Series Frenchwood® Hinged Doors (1988 to Present)

2 Panel, 3 Panel, and Stationary

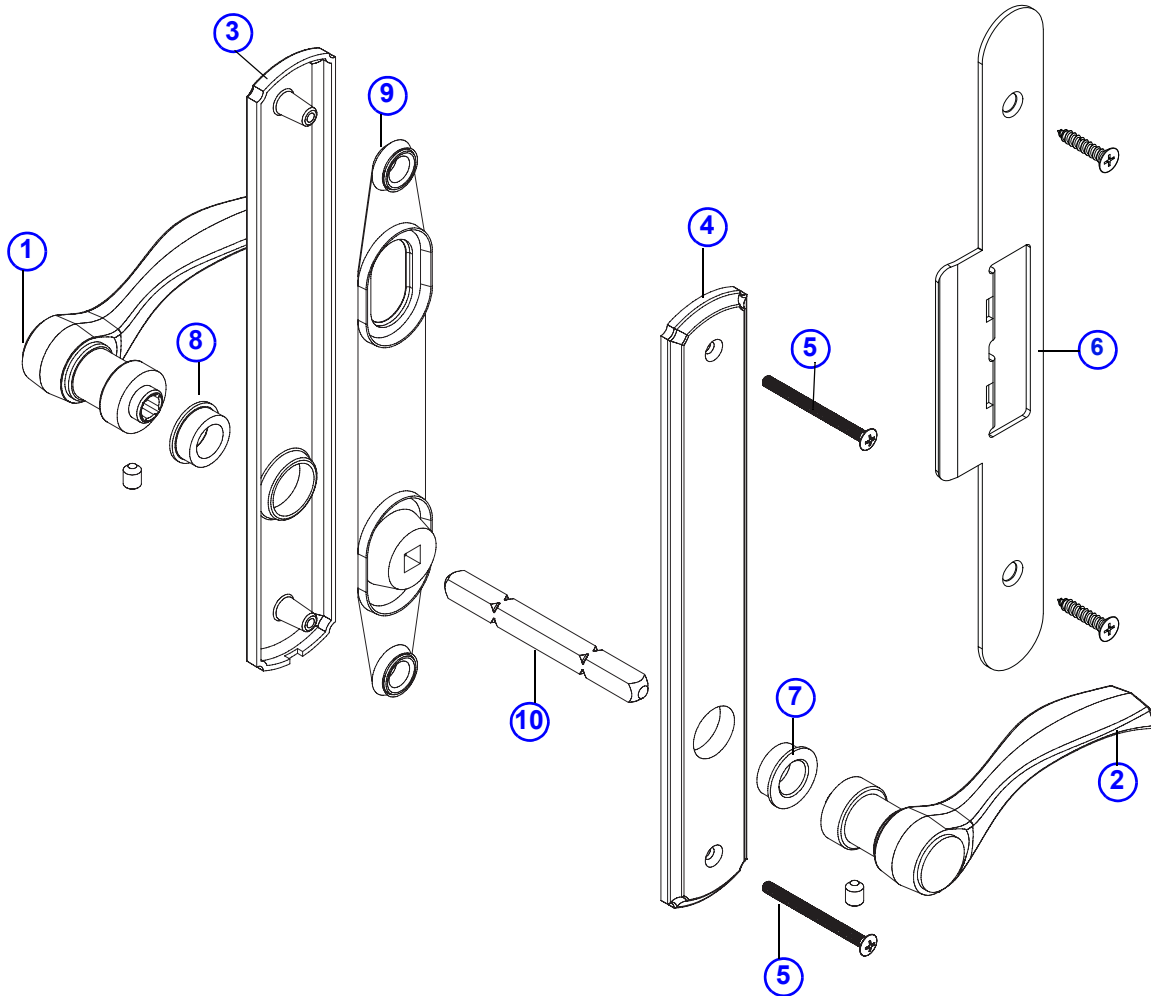
Hardware

Newbury® Hardware - Passive Hardware Illustration

Note:

See [Accessory Guide 0004286](#).

Note: Additional parts with Double Hardware Set



- | | |
|--|---|
| 1. Exterior Handle (LH Shown) | 6. AP/PA Strike Plate |
| 2. Interior Handle (RH Shown) | 7. Interior Nylon Bushing |
| 3. Passive Exterior Escutcheon Plate | 8. Exterior Nylon Bushing |
| 4. Passive Interior Escutcheon Plate | 9. Trim Set Gasket |
| 5. Escutcheon Plate Bolts | 10. Spindle |

Newbury® Hardware for Hinged Doors - Double Trim Set

Hardware

Complete Trim Set - Newbury® / Interior and Exterior See Illustration [page 114](#) and [page 115](#)

	Finish	Single	Double AP/PA
	Antique Brass	2577504	2577521
Brushed Chrome	2579746	2579747	
Chrome	2577501	2577533	
H.P. Brass	2577543	2577544	
Oil Rubbed Bronze	2579742	2579743	
Satin Nickel	2579443	2579455	



Trim Set - Newbury® / Interior See Illustration [page 101](#) See Handing Illustration [page 5](#)

	Finish	Single		Double AP/PA
		Left	Right	Order No.
Antique Brass	2572666	2572774	2572667	
Brushed Chrome	N/A	N/A	N/A	
Chrome	N/A	N/A	N/A	
H.P. Brass	2572664	2572773	2572665	
Oil Rubbed Bronze	2572672	2572777	2572673	
Satin Nickel	2572674	2572778	2572675	

Trim Set - Newbury® / Exterior See Illustration [page 102](#) See Handing Illustration [page 5](#)

	Finish	Single		Double AP/PA
		Left	Right	Order No.
Antique Brass	2572607	2572752	2572608	
Brushed Chrome	N/A	N/A	N/A	
Chrome	N/A	N/A	N/A	
H.P. Brass	2572605	2572751	2572606	
Oil Rubbed Bronze	2572628	2572755	2572629	
Satin Nickel	2572630	2572756	2572631	

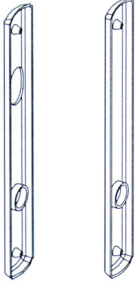
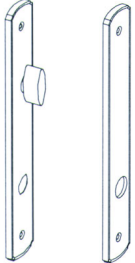
Handle with Screws - Newbury® Ref. No. 1 and 2 [page 114](#) and [page 115](#) See Handing Illustration [page 5](#) (1999 to Present)

 Right Hand	 Left Hand	Note: Handles prior to 1999 were offered in Bright Brass, Antique Brass, and Polished Chrome. Current Antique Brass finish may not match previous vintages of Antique Brass.	Finish	Left	Right
			Antique Brass	2579610	2579614
Brushed Chrome	N/A	N/A			
Chrome	2579597	2579598			
H.P. Brass	2579611	2579612			
Oil Rubbed Bronze	2579901	2579903			
Satin Nickel	2579441	2579442			

400 Series Frenchwood® Hinged Doors (1988 to Present)

2 Panel, 3 Panel, and Stationary

Hardware

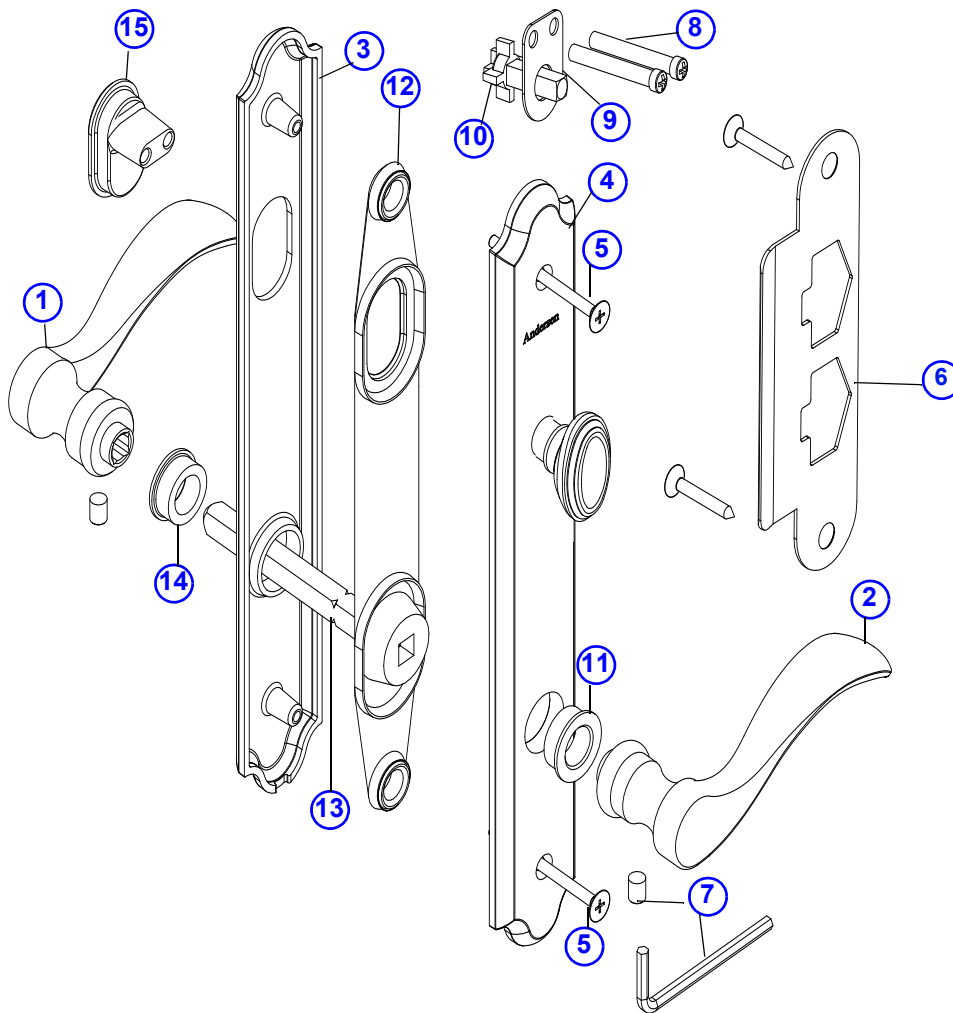
Escutcheon Plate - Newbury® / Exterior Ref. No. 3 page 114 and page 115 (1999 to Present)				
 <p>Active Passive</p>	<p>Note: Escutcheon plates prior to 1999 were offered in Bright Brass, Antique Brass, and Polished Chrome. Current Antique Brass finish may not match previous vintages of Antique Brass.</p>	Finish	Active	Passive
		Antique Brass	2579606	2579680
		Brushed Chrome	2579914	2579916
		Chrome	2579588	2579604
		H.P. Brass	2579605	2579601
		Oil Rubbed Bronze	2579913	2579915
		Satin Nickel	2579449	2579448
Escutcheon Plate - Newbury® / Interior Ref. No. 4 page 114 and page 115				
 <p>Active Passive</p>	<p>Note: Escutcheon plates prior to 1999 were offered in Bright Brass, Antique Brass, and Polished Chrome. Current Antique Brass finish may not match previous vintages of Antique Brass.</p>	Finish	Active	Passive
		Antique Brass	2579602	2579674
		Brushed Chrome	2579912	2579910
		Chrome	2579587	2579603
		H.P. Brass	2579609	2579589
		Oil Rubbed Bronze	2579911	2579909
		Satin Nickel	2579446	2579447

Hardware

Hardware - Covington™

Note:

See [Accessory Guide 0005156](#).



- | | | |
|---|--|--|
| 1. Exterior Handle (LH Shown) | 6. Strike Plate | 11. Interior Nylon Bushing |
| 2. Interior Handle (RH Shown) | 7. Handle Set Screw (Package) | 12. Trim Set Gasket |
| 3. Active Exterior Escutcheon Plate | 8. Key Cylinder Mounting Bolts | 13. Spindle |
| 4. Active Interior Escutcheon Plate | 9. Lock Limiting Plate | 14. Exterior Nylon Bushing |
| 5. Escutcheon Plate Bolts | 10. Lock Actuator | 15. Dummy Cylinder |

Covington™ Hardware for Hinged Doors - Single Trim Set

400 Series Frenchwood® Hinged Doors (1988 to Present)

2 Panel, 3 Panel, and Stationary

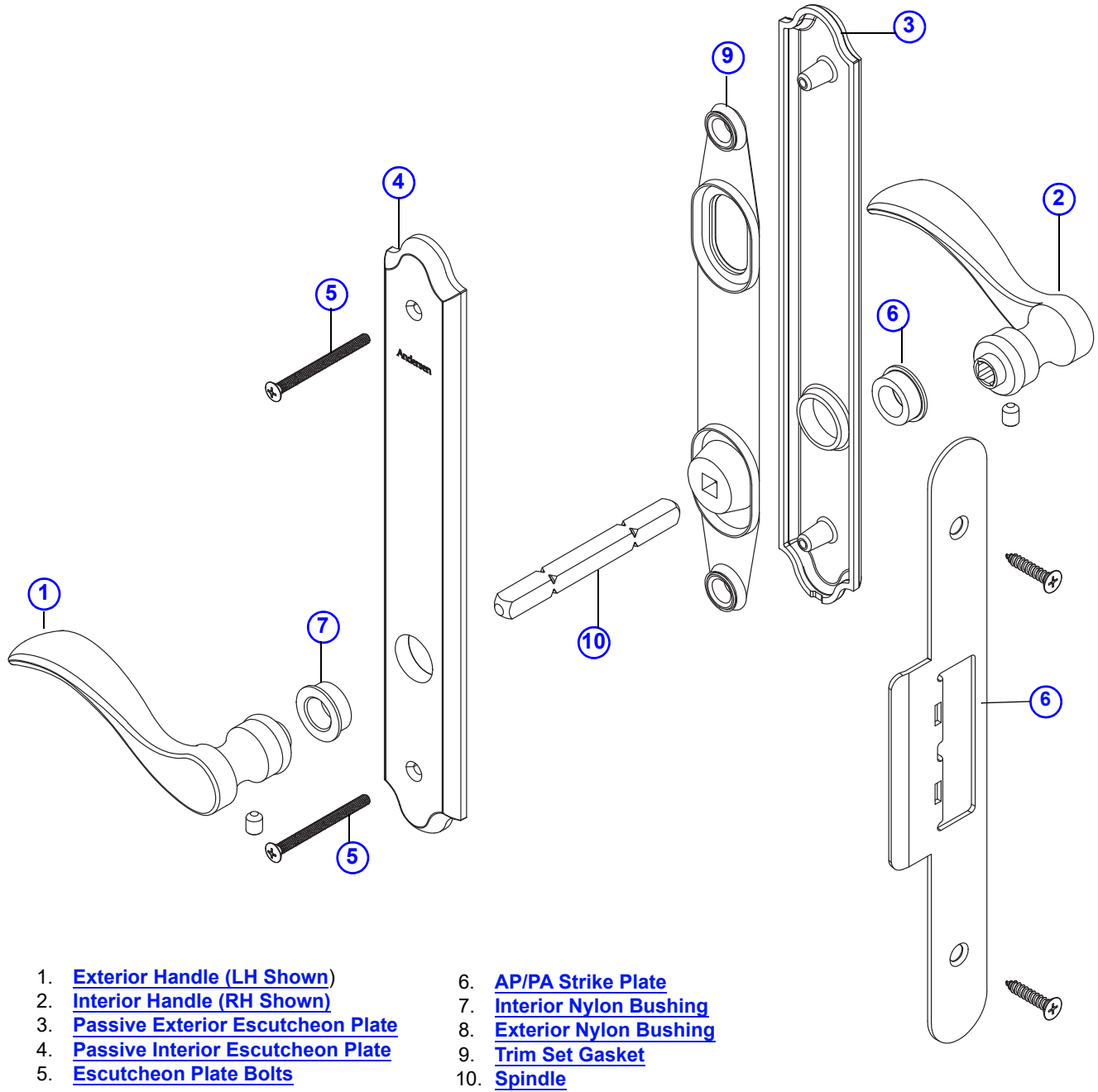
Hardware

Covington™ Hardware - Passive Hardware Illustration

Note:

See [Accessory Guide 0004286](#).

Note: Additional parts with Double Hardware Set



Covington™ Hardware for Hinged Doors - Double Trim Set

Hardware

Complete Trim Set - Covington™ / Interior and Exterior See Illustration page 118 and page 119			
	Finish	Single	Double AP/PA
	Antique Brass	2578937	2578938
	Bright Brass	2578935	2578936
	Oil Rubbed Bronze	2578941	2578942

Trim Set - Covington™ / Interior See Illustration page 101 See Handing Illustration page 5				
	Finish	Single		Double AP/PA
		Left	Right	Order No.
	Antique Brass	N/A	N/A	N/A
	Bright Brass	N/A	N/A	N/A
	Oil Rubbed Bronze	N/A	N/A	N/A

Trim Set - Covington™ / Exterior See Illustration page 102 See Handing Illustration page 5				
	Finish	Single		Double AP/PA
		Left	Right	Order No.
	Antique Brass	N/A	N/A	N/A
	Bright Brass	N/A	N/A	N/A
	Oil Rubbed Bronze	N/A	N/A	N/A

Handle with Screws - Covington™ Ref. No. 1 and 2 page 118 and page 119 See Handing Illustration page 5			
	Finish	Left	Right
	Antique Brass	2573733	N/A
	Bright Brass	2573735	2573736
	Oil Rubbed Bronze	N/A	N/A

Escutcheon Plate - Covington™ / Exterior Ref. No. 3 page 118 and page 119			
	Finish	Active	Passive
	Antique Brass	2573769	2573770
	Bright Brass	2573773	N/A
	Oil Rubbed Bronze	2573777	2573778

Escutcheon Plate - Covington™ / Interior Ref. No. 4 page 118 and page 119			
	Finish	Active	Passive
	Antique Brass	2573767	2573768
	Bright Brass	2573771	2573772
	Oil Rubbed Bronze	2573775	2573776

400 Series Frenchwood® Hinged Doors (1988 to Present)

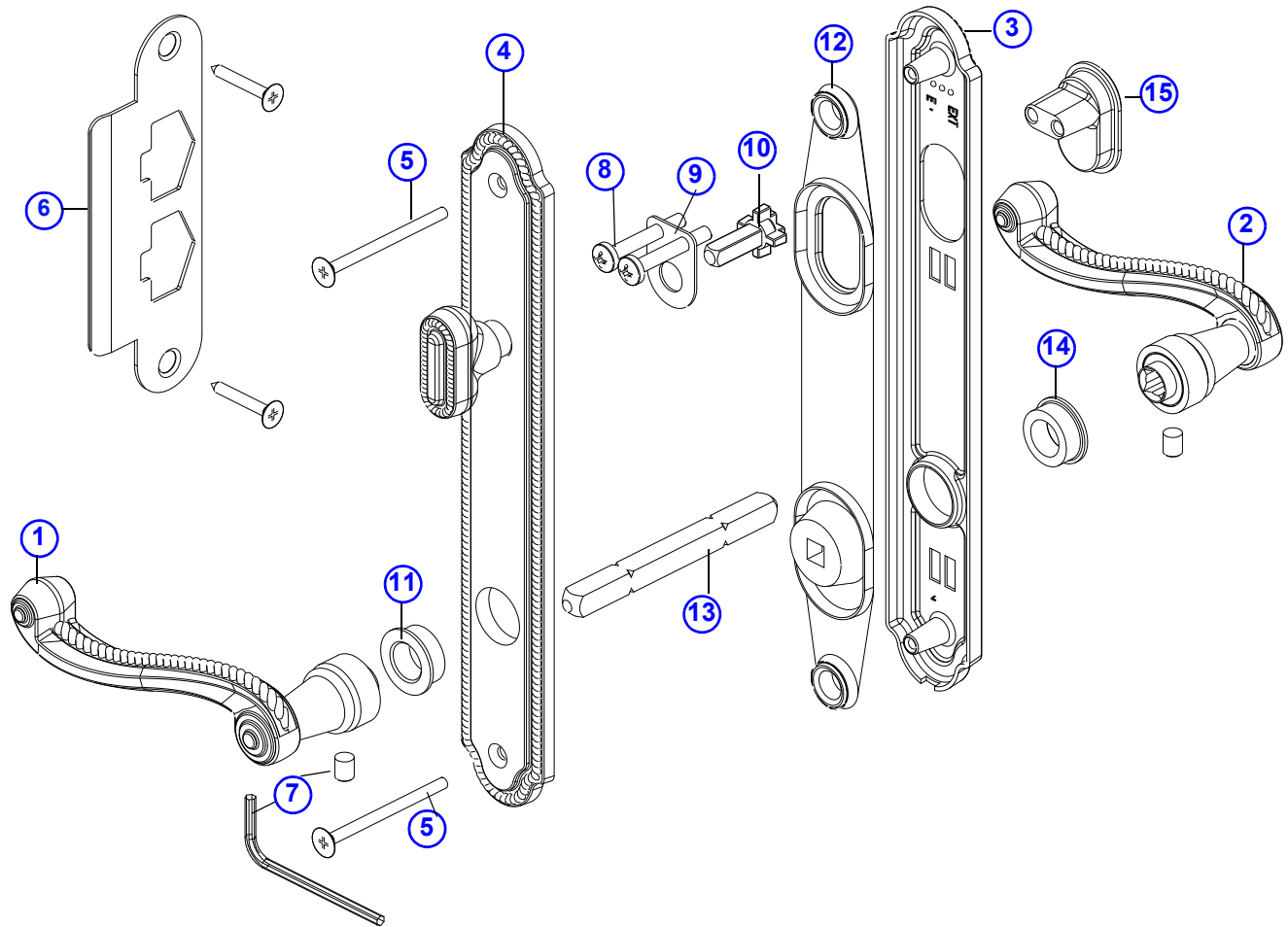
2 Panel, 3 Panel, and Stationary

Hardware

Hardware - Whitmore®

Note:

See [Accessory Guide 0005156](#).



- | | | |
|---|--|--|
| 1. Interior Handle (LH Shown) | 6. Strike Plate | 11. Interior Nylon Bushing |
| 2. Exterior Handle (RH Shown) | 7. Handle Set Screw (Package) | 12. Trim Set Gasket |
| 3. Active Exterior Escutcheon Plate | 8. Key Cylinder Mounting Bolts | 13. Spindle |
| 4. Active Interior Escutcheon Plate | 9. Lock Limiting Plate | 14. Exterior Nylon Bushing |
| 5. Escutcheon Plate Bolts | 10. Lock Actuator | 15. Dummy Cylinder |

Whitmore® Hinged Patio Door Hardware - Single Trim Set

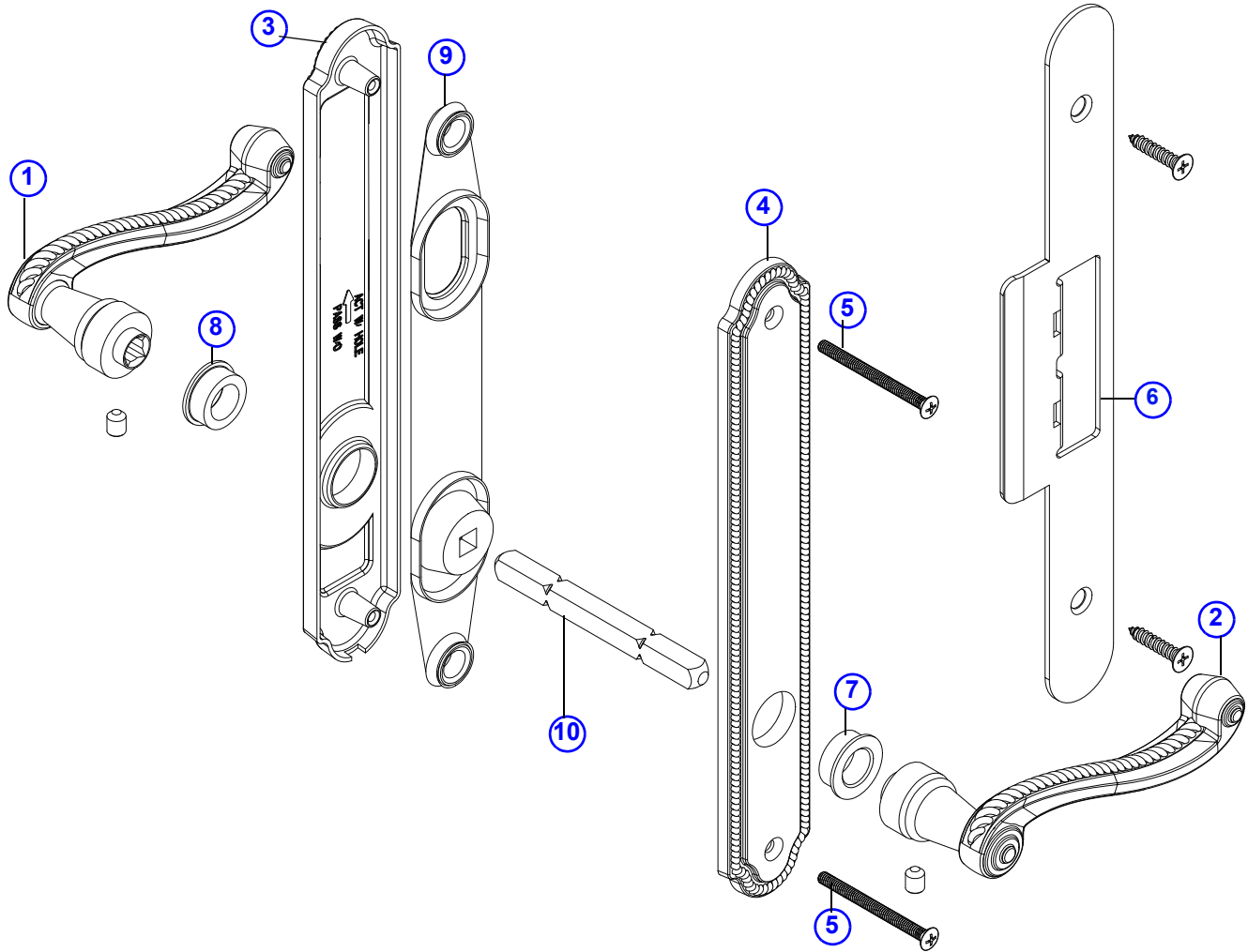
Hardware

Whitmore® Hardware - Passive Hardware Illustration

Note:

See [Accessory Guide 0004286](#).

Note: Additional parts with Double Hardware Set



- | | |
|--|---|
| 1. Exterior Handle (LH Shown) | 6. AP/PA Strike Plate |
| 2. Interior Handle (RH Shown) | 7. Interior Nylon Bushing |
| 3. Passive Exterior Escutcheon Plate | 8. Exterior Nylon Bushing |
| 4. Passive Interior Escutcheon Plate | 9. Trim Set Gasket |
| 5. Escutcheon Plate Bolts | 10. Spindle |

Whitmore® Hinged Patio Door Hardware - Double Trim Set

400 Series Frenchwood® Hinged Doors (1988 to Present)

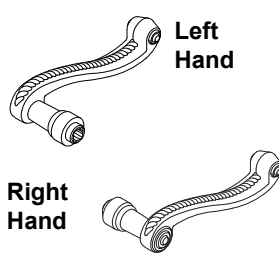
2 Panel, 3 Panel, and Stationary

Hardware

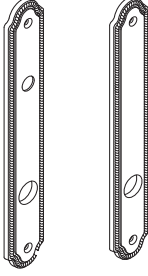
Complete Trim Set - Whitmore® / Interior and Exterior See Illustration page 121 and page 122			
	Finish	Single	Double AP/PA
	Antique Brass	2578923	2578924
	Bright Brass	2578919	2578920
	Oil Rubbed Bronze	2578925	2578926
	Satin Nickel	2578921	2578922

Trim Set - Whitmore® / Interior See Illustration page 101 See Handing Illustration page 5				
	Finish	Single		Double AP/PA
		Left	Right	Order No.
	Antique Brass	N/A	N/A	N/A
	Bright Brass	N/A	N/A	N/A
	Oil Rubbed Bronze	N/A	N/A	N/A
	Satin Nickel	N/A	N/A	N/A

Trim Set - Whitmore® / Exterior See Illustration page 102 See Handing Illustration page 5				
	Finish	Single		Double AP/PA
		Left	Right	Order No.
	Antique Brass	N/A	N/A	N/A
	Bright Brass	N/A	N/A	N/A
	Oil Rubbed Bronze	N/A	N/A	N/A
	Satin Nickel	N/A	N/A	N/A

Handle with Screws - Whitmore® Ref. No. 1 and 2 page 121 and page 122 See Handing Illustration page 5			
 <p>Left Hand</p> <p>Right Hand</p>	Finish	Left	Right
	Antique Brass	2573725	2573726
	Bright Brass	2573727	2573728
	Oil Rubbed Bronze	2573729	2573730
	Satin Nickel	2573731	2573732

Hardware

Escutcheon Plate - Whitmore® / Exterior Ref. No. 3 page 121 and page 122				
		Finish	Active	Passive
		Antique Brass	2573753	2573754
		Bright Brass	2573757	N/A
		Oil Rubbed Bronze	2573761	2573762
		Satin Nickel	2573765	N/A

Escutcheon Plate - Whitmore® / Interior Ref. No. 4 page 121 and page 122				
		Finish	Active	Passive
		Antique Brass	2573751	2573752
		Bright Brass	2573755	2573756
		Oil Rubbed Bronze	2573759	2573760
		Satin Nickel	2573763	2573764

400 Series Frenchwood® Hinged Doors (1988 to Present)

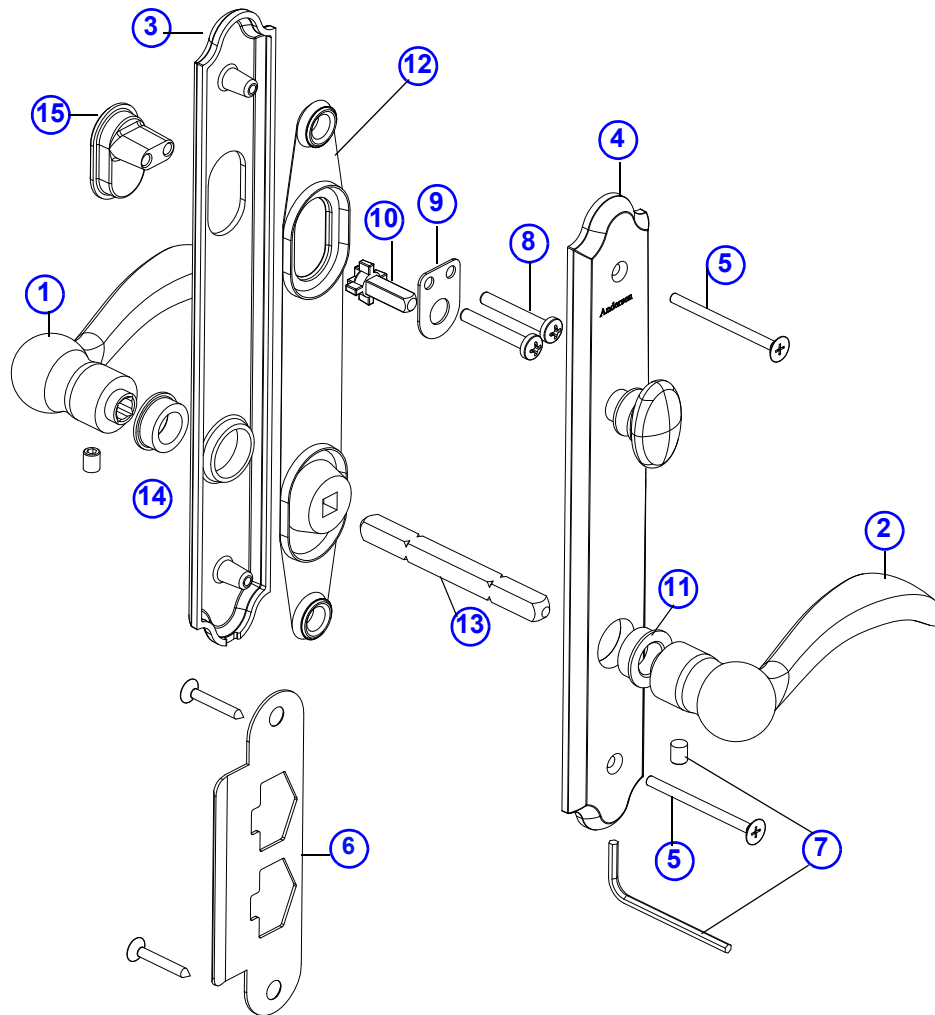
2 Panel, 3 Panel, and Stationary

Hardware

Hardware - Encino®

Note:

See [Accessory Guide 0005156](#).



- | | | |
|---|--|--|
| 1. Exterior Handle (LH Shown) | 6. Strike Plate | 11. Interior Nylon Bushing |
| 2. Interior Handle (RH Shown) | 7. Handle Set Screw (Package) | 12. Trim Set Gasket |
| 3. Active Exterior Escutcheon Plate | 8. Key Cylinder Mounting Bolts | 13. Spindle |
| 4. Active Interior Escutcheon Plate | 9. Lock Limiting Plate | 14. Exterior Nylon Bushing |
| 5. Escutcheon Plate Bolts | 10. Lock Actuator | 15. Dummy Cylinder |

Encino® Hinged Patio Door Hardware - Single Trim Set

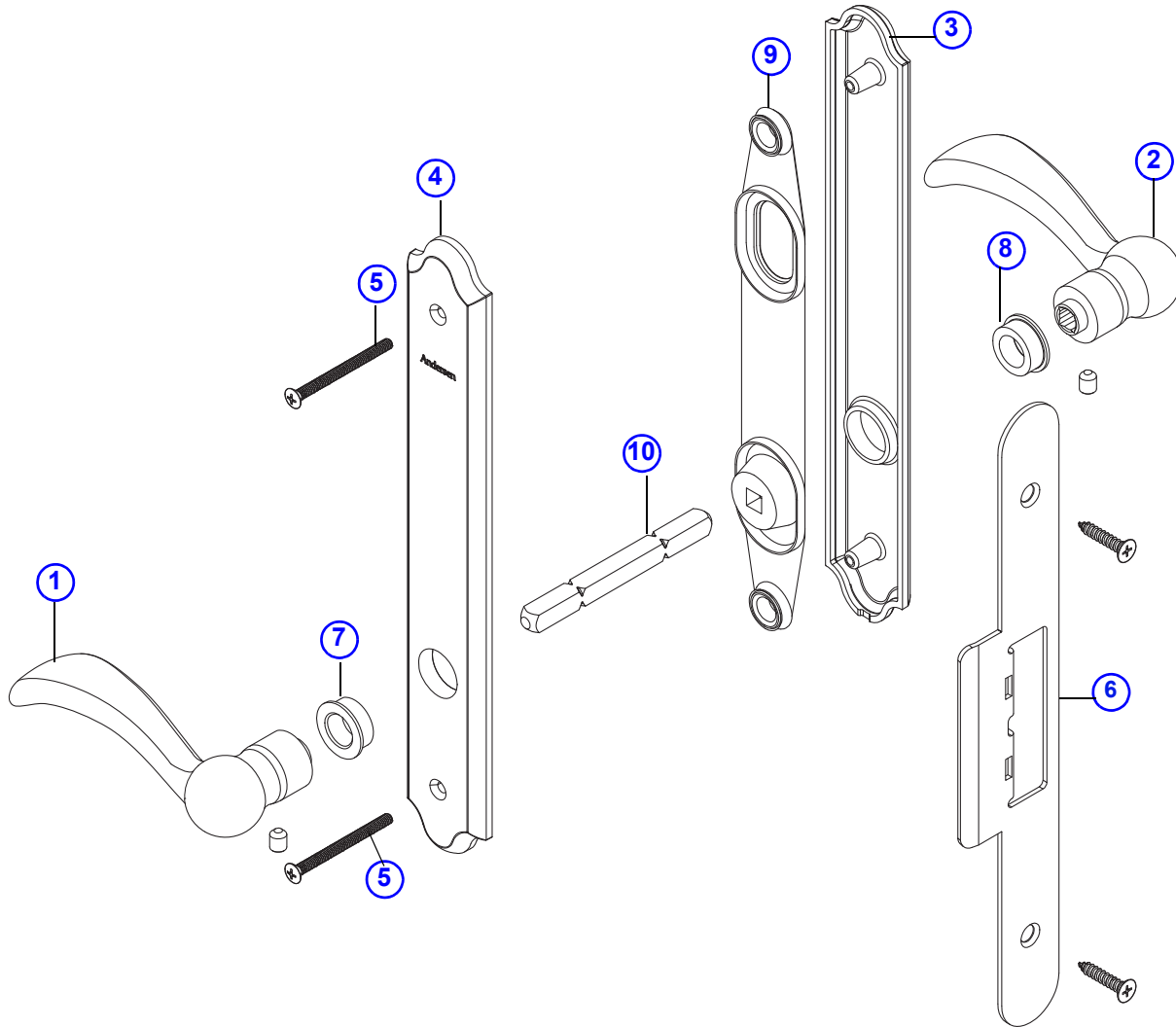
Hardware

Encino® Hardware - Passive Hardware Illustration

Note:

See [Accessory Guide 0004286](#).

Note: Additional parts with Double Hardware Set



- | | |
|--|---|
| 1. Exterior Handle (LH Shown) | 6. AP/PA Strike Plate |
| 2. Interior Handle (RH Shown) | 7. Interior Nylon Bushing |
| 3. Passive Exterior Escutcheon Plate | 8. Exterior Nylon Bushing |
| 4. Passive Interior Escutcheon Plate | 9. Trim Set Gasket |
| 5. Escutcheon Plate Bolts | 10. Spindle |

Encino® Hinged Patio Door Hardware - Double Trim Set

400 Series Frenchwood® Hinged Doors (1988 to Present)

2 Panel, 3 Panel, and Stationary

Hardware

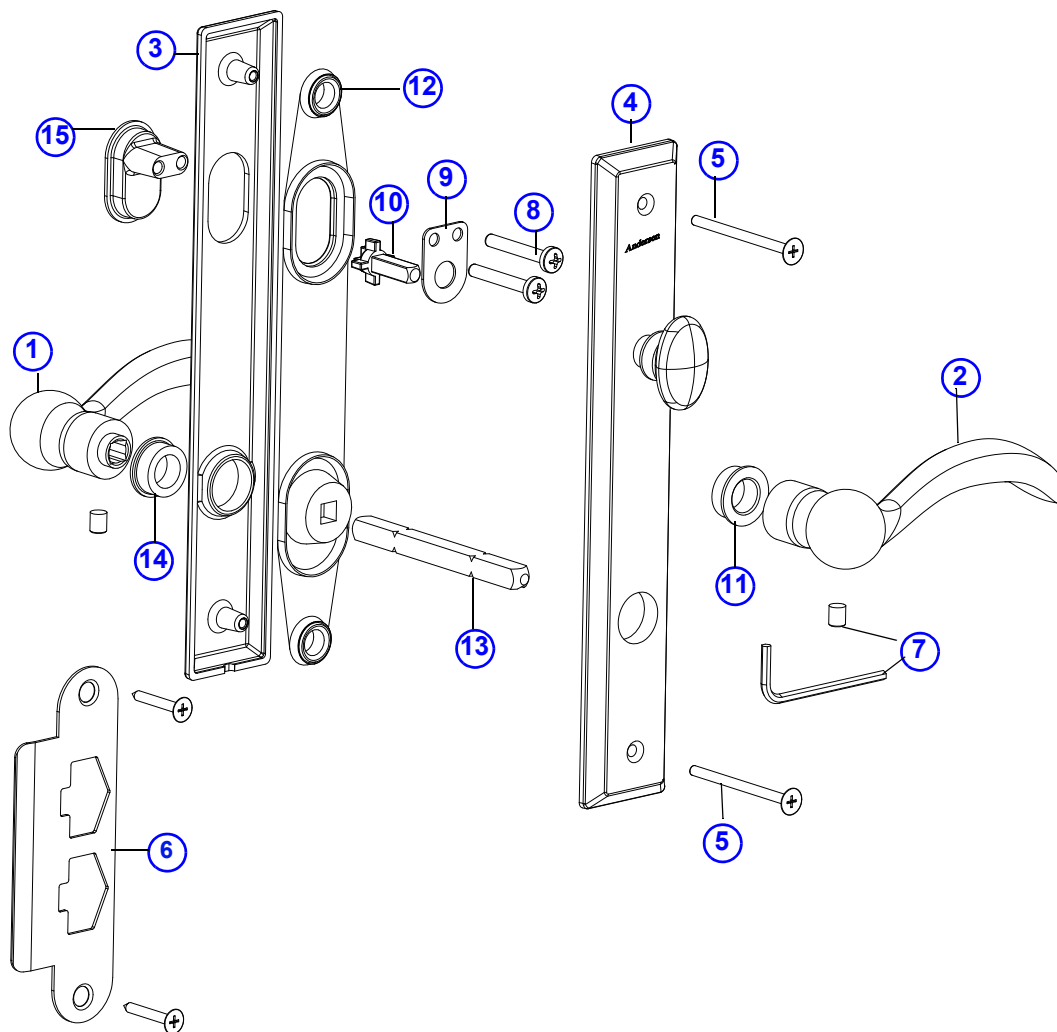
Complete Trim Set - Encino® / Interior and Exterior See Illustration page 125 and page 126				
	Finish	Single		Double AP/PA
	Distressed Bronze	2578927		2578928
	Distressed Nickel	2578929		2578930
Trim Set - Encino® / Interior See Illustration page 101 See Handing Illustration page 5				
	Finish	Single		Double AP/PA
		Left	Right	Order No.
	Distressed Bronze	2572696	2572789	2572697
Distressed Nickel	2572701	2572791	2572702	
Trim Set - Encino® / Exterior See Illustration page 102 See Handing Illustration page 5				
	Finish	Single		Double AP/PA
		Left	Right	Order No.
	Distressed Bronze	2572652	2572767	2572653
Distressed Nickel	2572656	2572769	2572657	
Handle with Screws - Encino® Ref. No. 1 and 2 page 125 and page 126 See Handing Illustration page 5				
	Finish	Left	Right	
	Distressed Bronze	2573789	2573790	
	Distressed Nickel	2573791	2573792	
Escutcheon Plate - Encino® / Exterior No. 3 page 125 and page 126				
	Finish	Active	Passive	
	Distressed Bronze	2573804	2573805	
	Distressed Nickel	2573808	2573809	
Escutcheon Plate - Encino® / Interior No. 4 page 125 and page 126				
	Finish	Active	Passive	
	Distressed Bronze	2573802	2573803	
	Distressed Nickel	2573806	2573807	

Hardware

Hardware - Yuma®

Note:

See [Accessory Guide 0005156](#).



- | | | |
|---|--|--|
| 1. Exterior Handle (LH Shown) | 6. Strike Plate | 11. Interior Nylon Bushing |
| 2. Interior Handle (RH Shown) | 7. Handle Set Screw (Package) | 12. Trim Set Gasket |
| 3. Active Exterior Escutcheon Plate | 8. Key Cylinder Mounting Bolts | 13. Spindle |
| 4. Active Interior Escutcheon Plate | 9. Lock Limiting Plate | 14. Exterior Nylon Bushing |
| 5. Escutcheon Plate Bolts | 10. Lock Actuator | 15. Dummy Cylinder |

Yuma® Hinged Patio Door Hardware - Single Trim Set

400 Series Frenchwood® Hinged Doors (1988 to Present)

2 Panel, 3 Panel, and Stationary

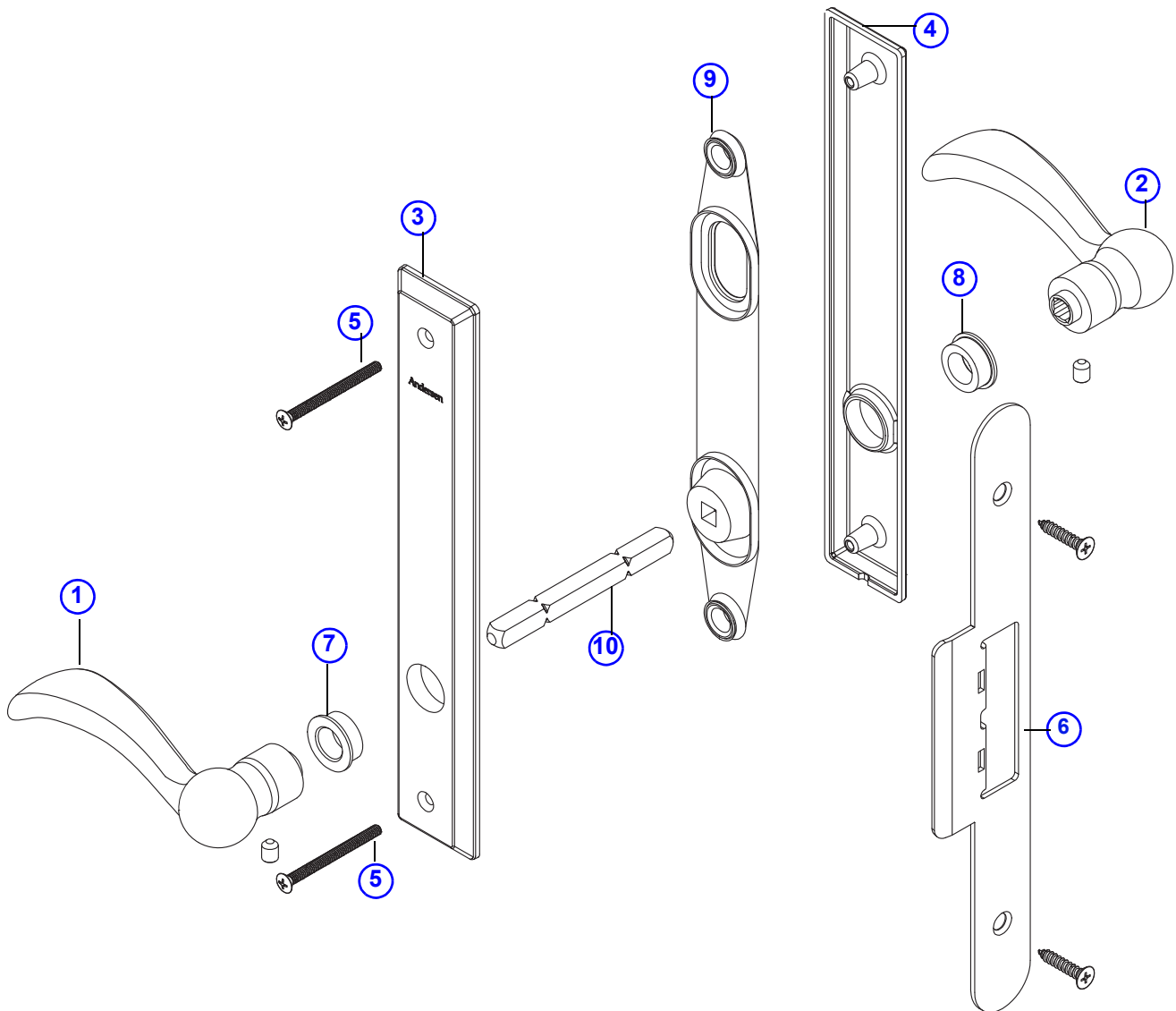
Hardware

Yuma® Hardware - Passive Hardware Illustration

Note:

See [Accessory Guide 0004286](#).

Note: Additional parts with Double Hardware Set



- | | |
|--|---|
| 1. Exterior Handle (LH Shown) | 6. AP/PA Strike Plate |
| 2. Interior Handle (RH Shown) | 7. Interior Nylon Bushing |
| 3. Passive Exterior Escutcheon Plate | 8. Exterior Nylon Bushing |
| 4. Passive Interior Escutcheon Plate | 9. Trim Set Gasket |
| 5. Escutcheon Plate Bolts | 10. Spindle |

Yuma® Hinged Patio Door Hardware - Double Trim Set

Hardware

Complete Trim Set - Yuma® / Interior and Exterior See Illustration page 128 and page 129				
	Finish	Single		Double AP/PA
	Distressed Bronze	2578931		2578932
	Distressed Nickel	2578933		2578934
Trim Set - Yuma® / Interior See Illustration page 101 See Handing Illustration page 5				
	Finish	Single		Double AP/PA
		Left	Right	Order No.
	Distressed Bronze	2572698	2572790	2572699
	Distressed Nickel	2572703	2572792	2572705
Trim Set - Yuma® / Exterior See Illustration page 102 See Handing Illustration page 5				
	Finish	Single		Double AP/PA
		Left	Right	Order No.
	Distressed Bronze	2572654	2572768	2572655
	Distressed Nickel	2572658	2572770	2572659
Handle with Screws - Yuma® Ref. No. 1 and 2 page 128 and page 129 See Handing Illustration page 5				
	Finish	Left	Right	
	Distressed Bronze	2573789	2573790	
	Distressed Nickel	2573791	2573792	
Escutcheon Plate - Yuma® / Exterior Ref. No. 3 page 128 and page 129				
	Finish	Active	Passive	
	Distressed Bronze	2573812	2573813	
	Distressed Nickel	2573816	2573817	
Escutcheon Plate - Yuma® / Interior Ref. No. 4 page 128 and page 129				
	Finish	Active	Passive	
	Distressed Bronze	2573810	2573811	
	Distressed Nickel	2573814	2573815	

400 Series Frenchwood® Hinged Doors (1988 to Present)

2 Panel, 3 Panel, and Stationary

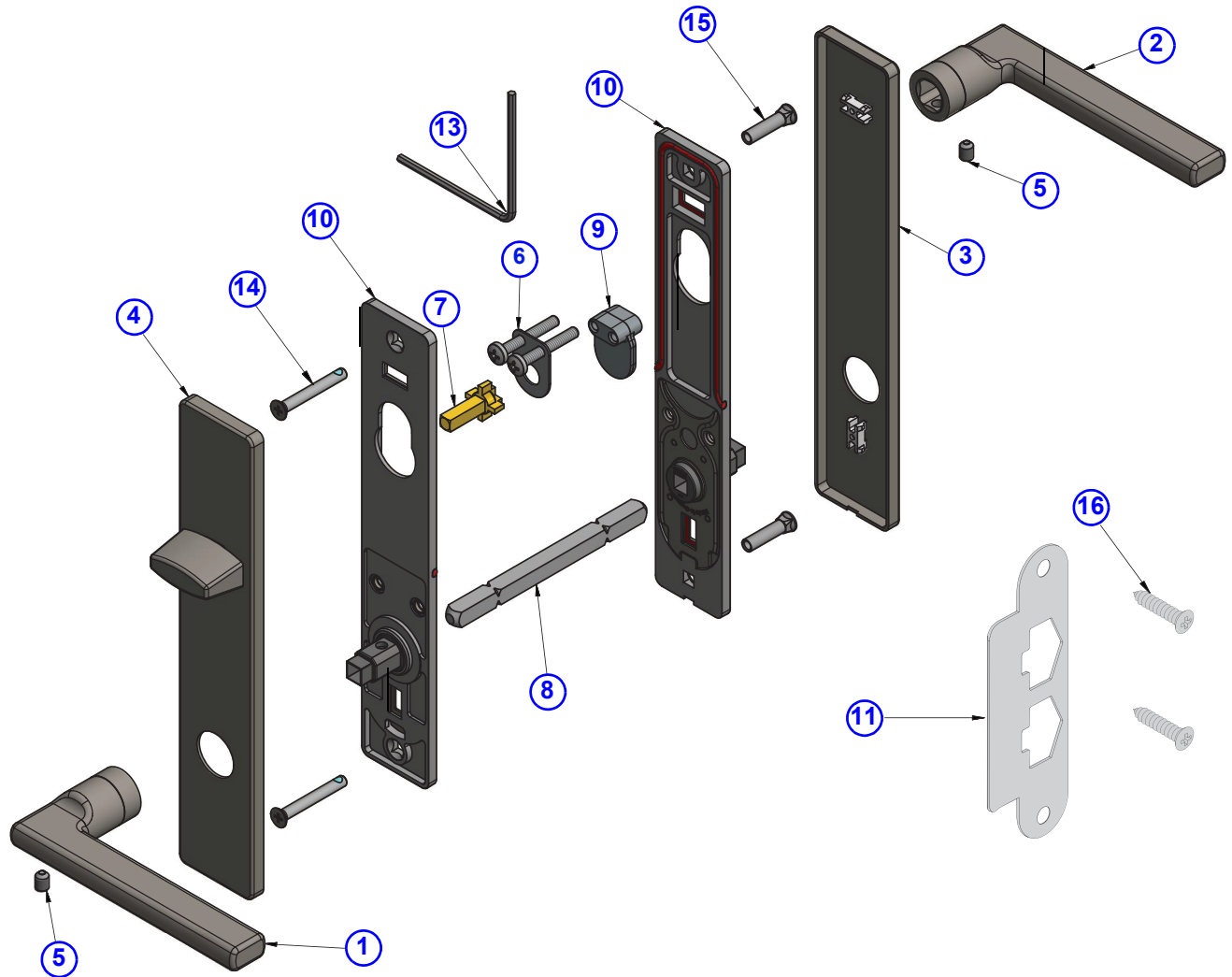
Hardware

Hardware - FSB

FSB Hardware - Active

Note:

See [Accessory Guide 9173980](#). FSB 1035 Style shown.



- | | | |
|---|---|--|
| 1. Interior Handle | 6. Lock Limiting Plate | 13. Hex Key (3MM) |
| 2. Exterior Handle | 7. Lock Actuator | 14. Escutcheon Base Plate Screw |
| 3. Active Exterior Escutcheon Plate | 8. Spindle | 15. Escutcheon Base Plate Sleeve Nut |
| 4. Active Interior Escutcheon Plate | 9. Screw Retainer | 16. Strike Plate Screw |
| 5. Handle Set Screw | 10. Escutcheon Base Plate | |
| | 11. Strike Plate (Single) | |

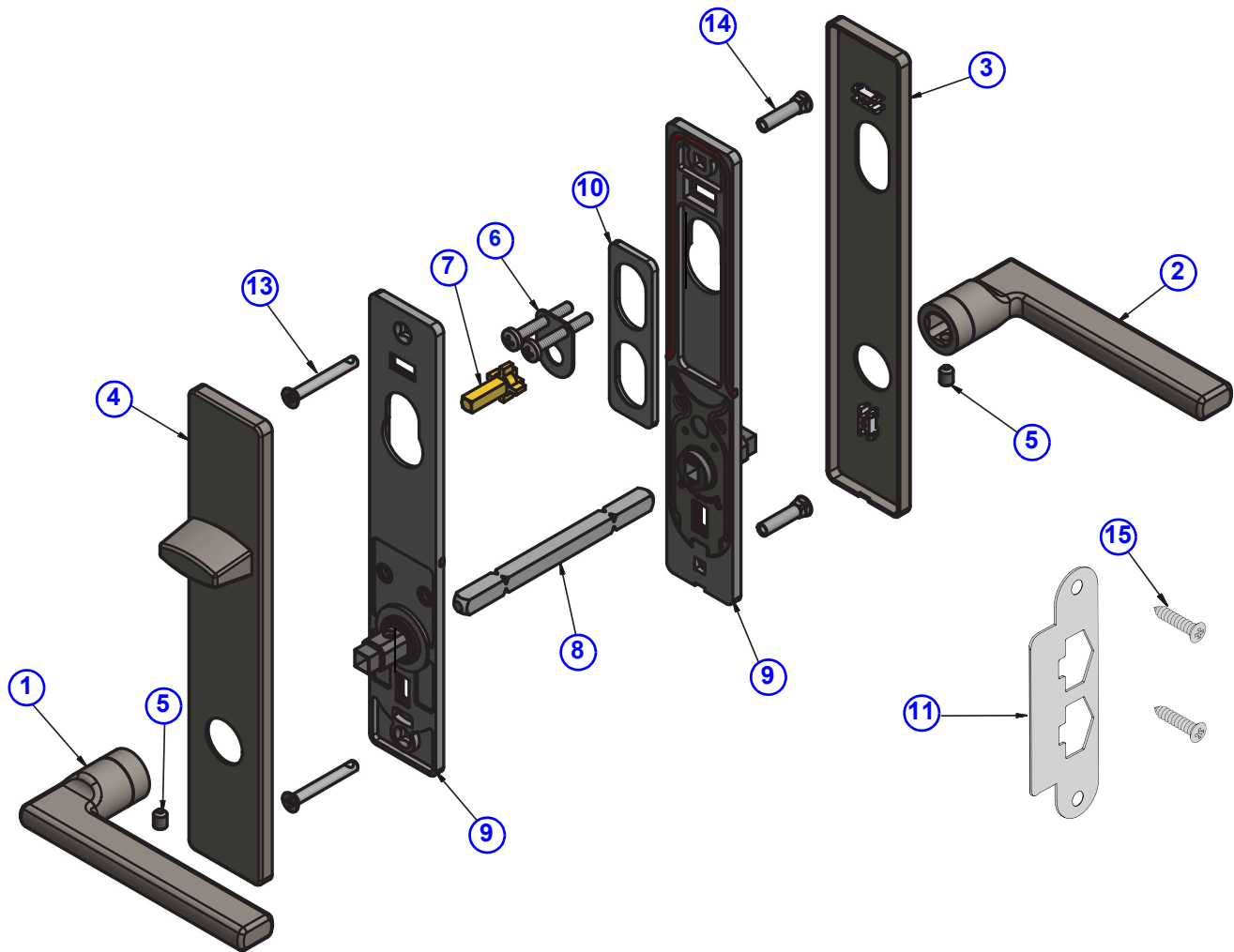
FSB Hinged Patio Door Hardware - Active Single Trim Set

Hardware

FSB Hardware - Active / Keyed Lock

Note:

See [Accessory Guide 9173980](#). FSB 1035 Style shown. Escutcheon plate routed for keyed lock but does not include keyed lock. [Keyed lock](#) sold separately.



- | | | |
|---|---|--|
| 1. Interior Handle | 7. Lock Actuator | 13. Escutcheon Base Plate Screw |
| 2. Exterior Handle | 8. Spindle | 14. Escutcheon Base Plate Sleeve Nut |
| 3. Active Exterior Escutcheon Plate | 9. Escutcheon Base Plate | 15. Strike Plate Screw |
| 4. Active Interior Escutcheon Plate | 10. Gasket | |
| 5. Handle Set Screw | 11. Strike Plate (Single) | |
| 6. Lock Limiting Plate | | |

FSB Hinged Patio Door Hardware - Single Trim Set

400 Series Frenchwood® Hinged Doors (1988 to Present)

2 Panel, 3 Panel, and Stationary

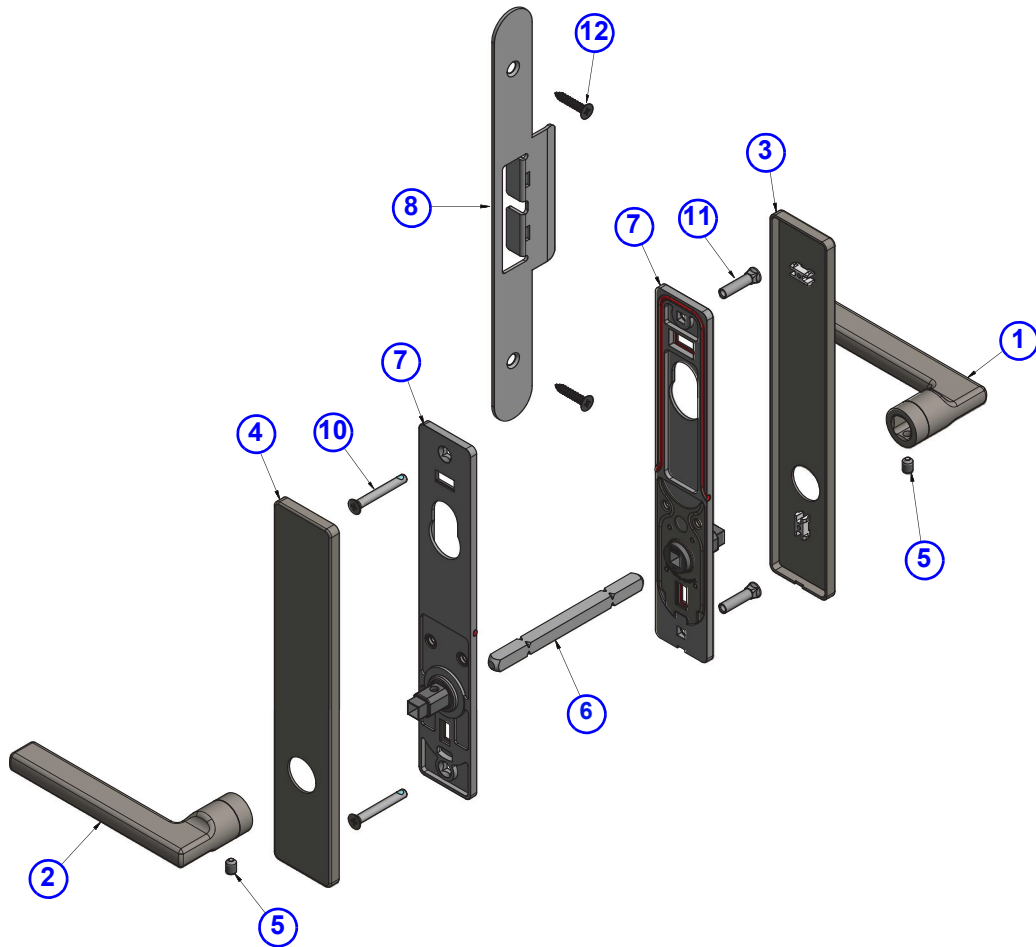
Hardware

FSB Hardware - Passive

Note:

See [Accessory Guide 9173980](#). FSB 1035 Style shown.

Note: Additional parts with Double Hardware Set



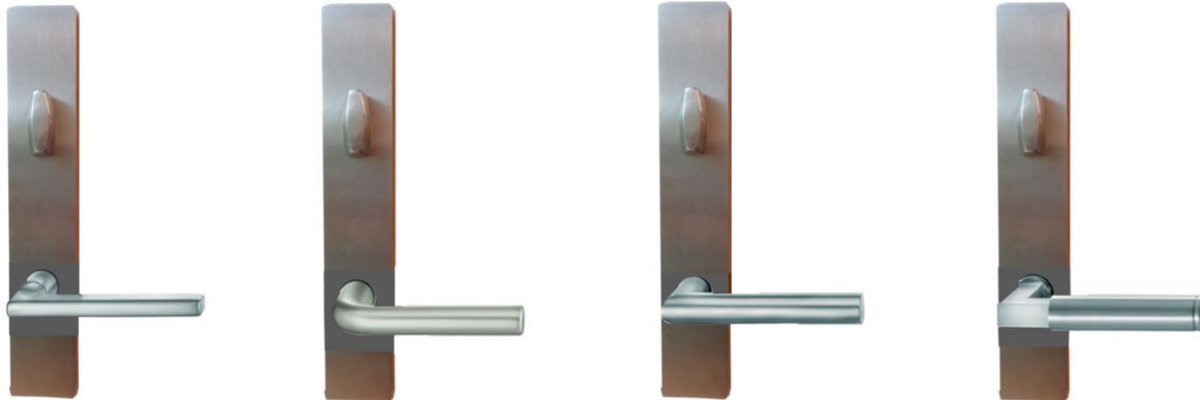
- | | |
|--|--|
| 1. Exterior Handle | 7. Escutcheon Base Plate |
| 2. Interior Handle | 8. Strike Plate (AP/PA) |
| 3. Passive Exterior Escutcheon Plate | 9. Escutcheon Base Plate Screw |
| 4. Passive Interior Escutcheon Plate | 10. Escutcheon Base Plate Sleeve Nut |
| 5. Set Screw | 11. Escutcheon Base Plate Sleeve Nut |
| 6. Spindle | 12. Strike Plate Screw |

FSB Hinged Patio Door Hardware - Double Trim Set

Hardware

Complete Trim Set Ref. contents shown in illustrations on [page 131](#) and [page 132](#) and [page 133](#)

Note:
[Keyed lock](#) sold separately.



1035

1075

1076

1102

Type	Non-Keyed				Keyed			
	Black Anodized		Satin Stainless Steel		Black Anodized		Satin Stainless Steel	
	Single	Double AP/PA	Single	Double AP/PA	Single	Double AP/PA	Single	Double AP/PA
1035	9184744	9184750	9172936	9172944	9184747	9184753	9172940	9172948
1075	9184745	9184751	9172937	9172945	9184748	9184754	9172941	9172949
1076	9184746	9184752	9172938	9172946	9184749	9184755	9172942	91729570
1102			9172939	9172947			9172943	9172951

Handle with Screws - FSB Ref. No. 1 and 2 [page 131](#) and [page 132](#) and [page 133](#)

Type	Black Anodized		Satin Stainless Steel	
	Left	Right	Left	Right
	1035	9184760	9184759	9173722
1075	9184762	9184761	9173724	9173723
1076	9184764	9184763	9173726	9173725
1102			9173728	9173727

Escutcheon Plate - FSB / Exterior Ref. No. 3 and 4 [page 131](#) and [page 132](#) and [page 133](#)

Note:
 All styles (1035, 1075, 1076 and 1102) use the same interior/exterior escutcheon plate.

Finish	Active (Non-Keyed)	Active (Keyed Lock)	Passive
SS Steel	9173719	9173720	9173719
Black Anodized	9184757	9184758	9184757

Escutcheon Plate - FSB / Interior Ref. No. 3 and 4 [page 131](#) and [page 132](#) and [page 133](#)

Finish	Active	Passive
SS Steel	9173718	9173719
Black Anodized	9184756	9184757

Escutcheon Base Plate Assembly - FSB Ref. No. 10 [page 131](#) No. 9 [page 132](#) No. 7 [page 133](#)

Finish	Order No.
Zinc	9173729

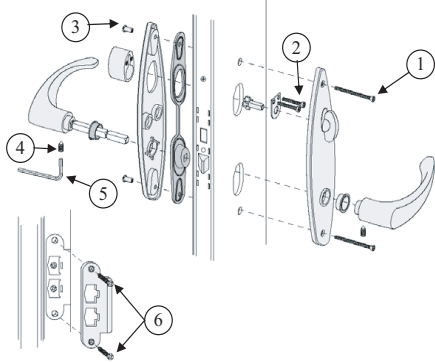
400 Series Frenchwood® Hinged Doors (1988 to Present)

2 Panel, 3 Panel, and Stationary

Hardware

Shared Trim Set Parts

Screw Package - Trim Set / Tribeca

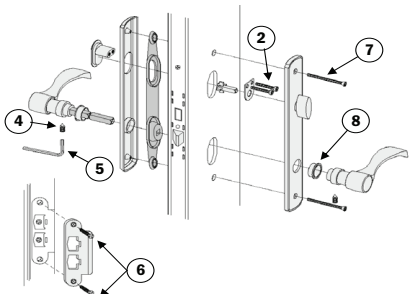


Ref. No.	Package Includes
1	2 - screw, #8 - 32 x 2 PH OH MS YZP
2	2 - screw, 5mm x 35 PH Pan MS YXP
6	2 - screw, #10 x 1" PH FH S/M/S
4	2 - screw, 1/4 - 20 UNC SS knurled cup point set
5	1 - 1/8 allen wrench

Note: Bushings not included in Tribeca Screw Packages, if needed order screw package below. Threaded stud shown as #3 not included with this kit. See escutcheon plate bolt with stud [page 107](#)

Finish	Order No.
Stone	2579767
White	2579766

Screw Package - Trim Set / Other Hardware Styles (2009 to Present)



Ref. No.	Andersen Package Includes
6	2 - screw, #10 - 13 x 1" PH FL undercut wood
7	4 - screw, #8 - 32 UNC x 2 PH oval head mach
2	2 - screw, M5 x .8 - 35mm PH w/#10 fill HD mach zinc
8	4 - bushing, trim adaptor
4	4 - screw, 1/4 - 20 UNC SS knurled cup point set
5	1 - 1/8 allen wrench

Note:

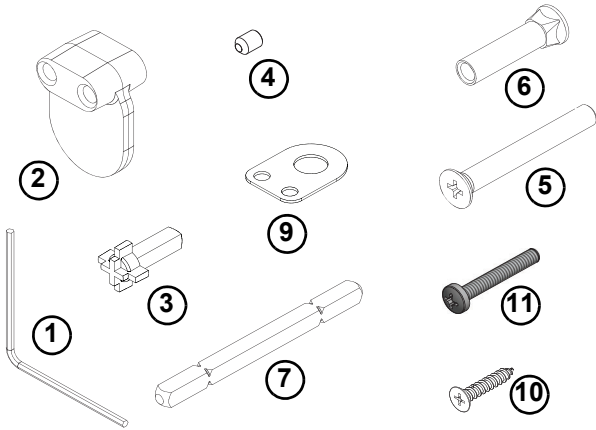
- Chrome used for Brushed Chrome and Polished Chrome finishes. To receive a white bushing order a Satin Nickel trim set screw pack. To receive a black bushing order an Oil Rubbed Bronze trim set screw pack.
- Albany style introduced in 2009.
- Tribeca handles November 2020 - present use the stone or white trim set screw pack.

* Ashley Norton screw pack contains:
 (4) Screws, #8-32 UNC X 2.75" (not shown in graphic)
 (4) Screws, #8-32 UNC X 2.25" (not shown in graphic)
 ** Baldwin screw pack contains
 (4) Screws, #8-32 UNC X X.xx" (not shown in graphic)

Finish	Andersen	Ashley Norton	Baldwin
Stone (Albany/Tribeca)	9056230		
White (Albany/Tribeca)	9056231		
Antique Brass	2579757		
Bright Brass	2579756		
Chrome	N/A		
Satin Nickel	2579390	9207251*	9207263**
Distressed Nickel	2573819		
Oil Rubbed Bronze	2579760		
Distressed Bronze	2579760		
Gold Dust (Albany)	N/A		
Black (Albany)	9019320		
Satin Brass			9207262**
Satin Black			9207264**
Unlacquered Brass			9207265**
Satin Brass		9207252*	
Polished Chrome		9207253*	
Polished Nickel		9207254*	
Dark Oil Rubbed		9207255*	
White Medium		9207256*	

Hardware

Trim Set Hardware Package - FSB

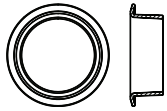


Ref. No.	Double Package Includes
1	2 - Hex Key 3MM
2	1 - Screw Retainer
3	1 - Lock Actuator
4	4 - Set Screw 3MM
5	4 - Escutcheon Base Plate Screw
6	4 - Escutcheon Base Plate Sleeve Nut
7	2 - Spindle
9	1 - Lock Limiting Plate
10	2 - Strike Plate Screws (Satin Nickel or ORB) #10 - 13 x 1" PH FL undercut wood
11	2 - Keyed Cylinder Mounting Bolt M5 x .8 - 35mm PH w/#10 fill HD mach zinc

Note:
FSB style hardware uses a unique screw pack. See PKD 1150.

Finish	Single	Double
Stainless Steel	9173735	9173736
Black	9184911	9184912

Bushing



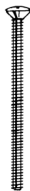
Note:
Tribeca® handles manufactured prior to November 2020 have unique bushing [page 107](#).

White and black bushings available as part of the trim set screw package [page 135](#). White to use Bright Chrome trim set screw pack and black to use Oil Rubbed Bronze trim set screw pack.

Replace the old style gold bushing used prior to 1999 with clear bushing [page 107](#).

Color	Order No.
White	N/A
Black	N/A

Bolt - Escutcheon Plate

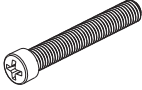
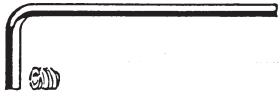

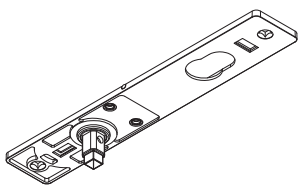
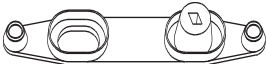
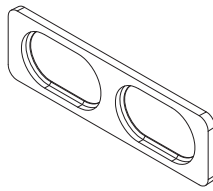


Description	Finish	Order No.
Qty 2 -#8-32 UNC x 2 panhead oval Note: Escutcheon plate bolts shown as N/A available as part of the trim set screw package, page 135 .	Stone (with stud)	2579855
	White (with stud)	2579842
	Antique Brass	N/A
	Bright Brass	N/A
	Polished Chrome	N/A
	Brushed Chrome	N/A
	Satin Nickel	N/A
	Oil Rubbed Bronze	N/A
	Distressed Bronze	N/A
	Distressed Nickel	N/A

400 Series Frenchwood® Hinged Doors (1988 to Present)

2 Panel, 3 Panel, and Stationary

Hardware

Key Cylinder Mounting Bolt			
	Description		Order No.
	Qty 2 - M5 x .8-35mm, PH with #10 fill HD, mach, zinc Note: Key cylinder mounting bolt is included in trim set hardware pack page 135 .		2579824
Set Screw Package w/wrench - Handle			
	Andersen Package Includes: 4 - 1/4-20 UNC knurled cup point set screws 1 - 1/8 Allen wrench Baldwin Includes: 1 - M5 X 8MM knurl cup point set screw Note: Replacement set screw finish may not match original. Set Screw Package is included in trim set hardware pack page 135 .		Baldwin
			9207269
		2579829	
Screw Pack - FSB			
	Package Includes: (2) - Escutcheon Base Plate Screw (2) - Escutcheon Base Plate Sleeve Nut (2) - Handle Set Screw, 3MM (1) - Hex Key, 3MM Note: FSB style uses unique set screw.		Order No.
			9173731
Escutcheon Base Plate - FSB			
	Note: Use for FSB style trim sets.		Order No.
			9173729
Gasket - Trim Set / Other Hardware Styles (1999 to Present)			
	Note: Use for all trim set styles except Tribeca page 106 .		Order No.
			2962512
Gasket - FSB / Keyed Lock			
	Note: Used with keyed lock exterior escutcheon plate.		Order No.
			9173734

Hardware

Strike Plate Cover		
<p>Note: Strike plate cover does not come with screws. FSB stainless steel hardware uses satin nickel finish. FSB black hardware uses oil rubbed bronze finish. Satin Brass introduced in September 2023.</p>		
	Single AS/SA	Double AP/PA
Finish		
Stone (Tribeca)	2579857	2579858
White (Tribeca)	2579844	2579845
Antique Brass	2579579	2579608
Bright Brass	2579615	2579616
Satin Brass	9206888	9206889
Polished Chrome	2579583	2579584
Brushed Chrome	2579958	2579960
Satin Nickel	2579451	2579456
Oil Rubbed Bronze/Distressed Bronze	2579957	2579959
Distressed Nickel	2573824	2573825
Gold Dust	9007628	9007630
Black	9007629	9007631

Spindle			
	<p>Note: The standard Andersen spindle is 3 3/4". The 4 3/4" Andersen spindle is used with one handle extender. The 5 3/4" Andersen spindle is used with two handle extenders.</p>	Andersen	
		Length	Order No.
		3 3/4	2579830
		4 3/4	2579831
		5 3/4	2579832
		Baldwin	
		Length	Order No.
? ?/?	9207268		

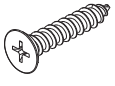
Replacement Parts Kit / Ashley Norton (for "standard" 1 3/4" door)		
	<p>Kit Includes: (1) Spindle 95 MM (1) Lock Actuator (1) Allen Wrench (4) Screws M4 x 8mm Knurl Cup Pt (2) Screws M4 X .8-30mm PH W/19 Fill Hd Mach Zinc (1) Limiting Plate Thick (1) Limiting Plate Thin</p>	Order No.
		9207260

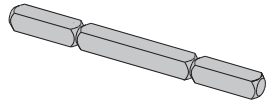
Hardware Screw Pack / 2 1/4" thick panel		
	<p>Kit Includes: (1) Spindle 108 mm (1) Lock Actuator 28mm</p>	Order No.
		9207261

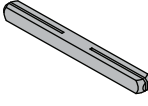
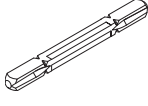
400 Series Frenchwood® Hinged Doors (1988 to Present)

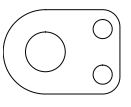
2 Panel, 3 Panel, and Stationary

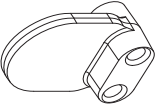
Hardware


Strike Plate Screw		
	Description	Order No.
	Qty 2 - 10 -13 x 1 PH FL TYP AB Note: Strike plate cover does not come with screws. See trim set screw package page 135 .	N/A

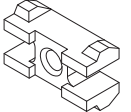
Spindle			
	Note: The standard spindle is 3 3/4". The 4 3/4" spindle is used with one handle extender . The 5 3/4" spindle is used with two handle extenders .	Length	Order No.
		3 3/4	2579830
		4 3/4	2579831
		5 3/4	2579832

Spindle - FSB					
		Note: FSB style hardware uses unique spindle.	Length	Standard	Retrofit
			Standard	Retrofit	4 5/8

Lock Limiting Plate		
		Order No.
		2579540

Screw Retainer - FSB / Construction Trim Sets		
		Order No.
		9173733

Lock Actuator		
Note: See Lock Actuator Replacement Video .		
		Order No.
		2579542

Escutcheon Plate Clip - FSB		
	Note: Secures to back side of escutcheon plate.	Order No.
		9173730

Hardware

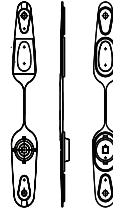
Vintage Trim Set Hardware

Trim Set Gasket (1988 to 1999)

Note:

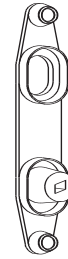
Current Metro™ gasket is Tribeca® on [page 106](#).

Current Estate™ gasket is on [page 139](#).



Metro™

2962513



Estate™

2962512

400 Series Frenchwood® Hinged Doors (1988 to Present)

2 Panel, 3 Panel, and Stationary

Hardware

Lock Mechanisms

Note:

Lock mechanisms for custom sized doors are made to order. Product ID label is located on top edge of operating panel.

See [Service Guide 0005233](#). See [Service Guide 0005204](#) to change handing. See [Latch Handing Video](#).

To order, state:

1. Description of part (Lock Mechanism, Active or Passive)
2. Quantity
3. Product ID

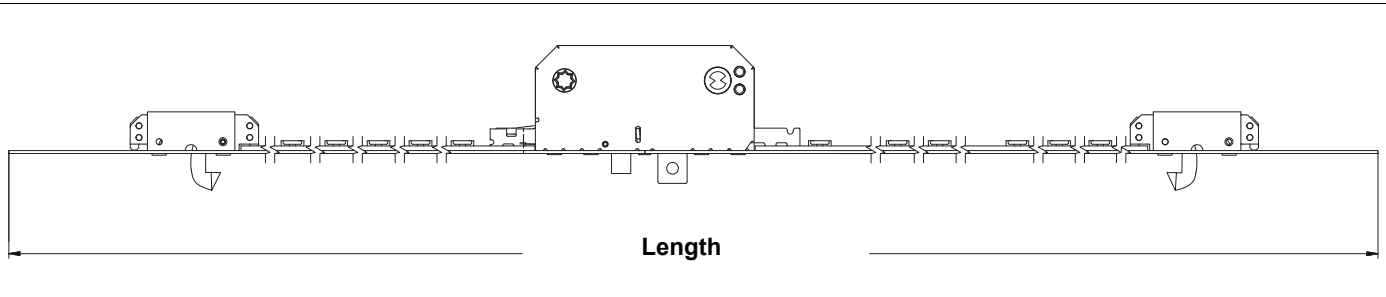
Lock Mechanism - 3 Point / Stainless Steel / Active (March 2003 to Present)

Note:

Stainless steel active lock mechanism replaces all previous vintage active lock mechanisms. If **existing** lock has a label the graphics and text will be black.

See [Service Guide 0005233](#). See [Service Guide 0005204](#) to change handing. See [Latch Handing Video](#).

*"Custom" length (68 1/2, 69 1/2, 69 3/4 and 610) part numbers introduced in February 2022.

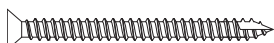


Label Graphic:



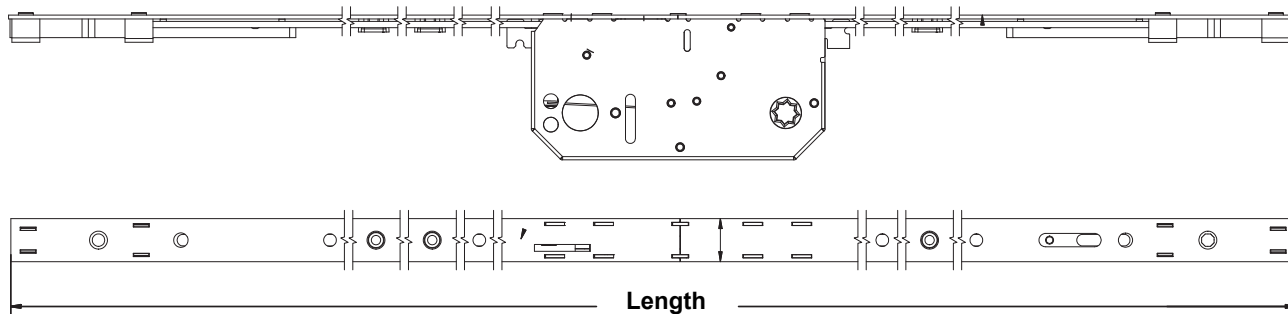
Unit No.	Length	Order No.
FWH68	76 ²⁷ / ₆₄	2579771
*FWH68 1/2	76 ¹⁵ / ₁₆	9192841
*FWH69 1/2	77 ¹⁵ / ₁₆	9192840
*FWH69 3/4	78 ¹¹ / ₆₄	9192842
*FWH610	78 ¹³ / ₃₂	9192839
FWH611	79 ¹⁹ / ₆₄	2579772
FWH76	86 ²⁷ / ₆₄	2578189
FWH80	92 ²⁷ / ₆₄	2579773

Lock Mechanism Screw - Stainless Steel

	Description	Order No.
	8-15 x 1 1/2" TYPE 17	2579418
	Note: 68 and 611 doors use 13 screws; 80 doors use 14 screws.	

Hardware

Lock Mechanism - Stainless Steel / Passive (March 2003 to Present)



Note:

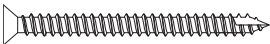
Replace a stainless steel passive lock with a stainless steel passive replacement lock.

Zinc dichromate lock no longer available; use stainless steel lock kit [page 142](#) as replacement

*"Custom" length (69 1/2, 69 3/4 and 610) part numbers introduced in February 2022. See [Service Guide 0005233](#)

Unit No.	Length	Order No.
FWH68	76 ⁷ / ₁₆	2579777
*FWH69 1/2	77 ¹⁵ / ₁₆	9192837
*FWH69 3/4	78 ³ / ₁₆	9192838
*FWH610	78 ⁷ / ₁₆	9192836
FWH611	79 ¹¹ / ₃₂	2579778
FWH76	86 ⁷ / ₁₆	2578191
FWH80	92 ⁷ / ₁₆	2579779

Lock Mechanism Screw - Stainless Steel

	Description	Order No.
	8-18 x 2" TYPE AB	2579415
	Note: 68 and 611 doors use 13 screws; 80 doors use 14 screws.	

Lock Mechanism - Replacement Kit / Passive

Note:

The zinc dichromate (gold finish appearance) passive lock is no longer available. Upgrade with lock mechanism replacement kit.

The kit requires [Service Guide 0005516](#).

Kit Includes:

- (1) Service Guide
- (1) Stainless steel passive lock mechanism
- (2) Hook bolt receiver
- (2) Flush bolt receiver
- (1) Latch receiver blocker

Unit No.	Type	Order No.
FWH68	AP/PA	2573469
FWH611	AP/PA	2573470
FWH80	AP/PA	2573471

400 Series Frenchwood® Hinged Doors (1988 to Present)

2 Panel, 3 Panel, and Stationary

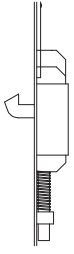
Hardware

Service Lock Mechanisms

Lock Mechanism - 3-point Tapered (March 2003 to Present)

Note:

Can also be used on vintages prior to March 2003.

		Unit No.	Left	Right
		FWH68	2578193	2578192
		FWH611	2578195	2578194
		FWH76	2578198	2578199
		FWH80	2578197	2578196

Lock Mechanism Screw - Zinc Dichromate

	Description	Order No.
	#8 - 18 x 2 type AB - stainless steel	2540742

Hardware

Vintage Lock Mechanisms

Lock Mechanism - Passive / Zinc Dichromate (1993 to March 2003)

Note:

The zinc dichromate (gold finish appearance) passive lock is no longer available. Replace with stainless steel lock kit.

68 AP/PA [2573469](#)

611 AP/PA [2573470](#)

80 AP/PA [2573471](#)

The kit requires [Service Guide 0005516](#).


Unit No.	Type	Order No.
FWH68	AP/PA	N/A
FWH611	AP/PA	N/A
FWH80	AP/PA	N/A

Hook Bolt Parts

Hook Bolt Receiver with Screws / Single / SA/AS / 3-Panel (March 2003 to Present)

Note:


Hook bolt parts prior to March 2003 are available in the service only section [page 145](#).

		Single SA/AS 3-Panel
		2579784

Hook Bolt Receiver / AP (March 2003 to Present)

Note:

See fasteners [page 48](#).

		AP/PA
		2579764

Hook Bolt Blocker (March 2003 to Present)

Note:

Use with stainless steel lock mechanism.

		Order No.
		2579780

400 Series Frenchwood® Hinged Doors (1988 to Present)

2 Panel, 3 Panel, and Stationary

Hardware

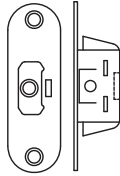
Vintage Hook Bolt Parts

Hook Bolt Receiver with Screws (1993 to 2003)

Note:

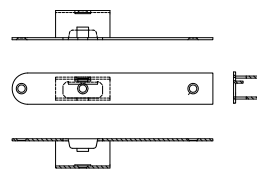
Hook bolt parts after March 2003 are available in the current hardware section [page 144](#)

Use current hardware as replacement for items listed as N/A



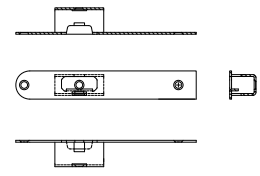
**Single SA/AS
3-Panel**

NA



**Upper AP/
Lower PA**

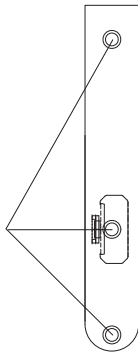
2579558



**Upper PA/
Lower AP**

2579559

Screw - Hook Bolt Receiver / AP/PA



10-12 x 3 1/2 TYP A

Description

Order No.

3621460

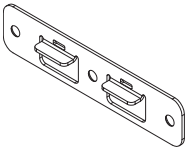

Receiver Spring (1988 to 1990)



Order No.

2579530

Hardware

Flush Bolt Parts		
Flush Bolt Receiver <i>(December 2016 to Present)</i>		
	Note: Use with stainless steel lock mechanism. Current vintage shown replaces 2003-2016 vintages. Flush bolt parts prior to March 2003 are available in the service only section page 147	Head/Sill
		9159420
Flush Bolt Screw <i>(March 2003 to Present)</i>		
	Note: Use with stainless steel lock mechanism. #10-12 x 3" Type 17	Order No.
		3621330
Sill Liner <i>(2007 to Present)</i>		
	Note: Part is clear in appearance.	Order No.
		9000575

400 Series Frenchwood® Hinged Doors (1988 to Present)

2 Panel, 3 Panel, and Stationary

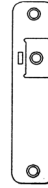
Hardware

Vintage Flush Bolt Parts

Flush Bolt Receiver with Screws (1993 to 2003)

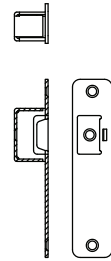
Note:

Flush bolt parts after March 2003 are available in the current hardware section [page 146](#).



Head PA/Sill AP

2579560



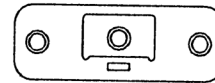
Head AP/Sill PA

2579561

Flush Bolt Receiver with Screws (1990 to 1993)

Note;

Used with manually activated head and foot bolt.



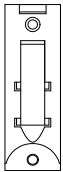
Head PA/Sill AP

N/A

Head AP/Sill PA

N/A

Flush Mount Bolt (1990 to 1993)



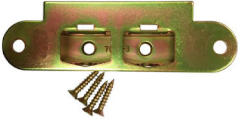


Note;

Used with manually activated head and foot bolt.
Located on the passive panel.

AP/PA.

2579564

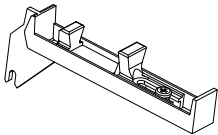
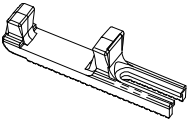
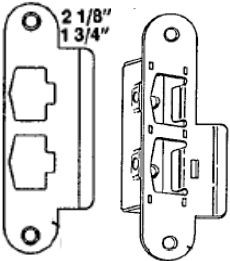
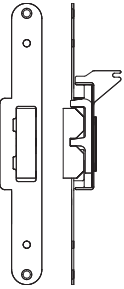
Hardware

Latch Bolt Parts		
Latch Bolt Receiver <i>(March 1990 to Present)</i>		
	<p>Note: Replaces all previous vintage latch receivers. Used on patio doors without a passive panel: AL, AR, SAR, SAL, SASL, and SASR.</p>	<p>Single SA/AS 3-Panel 2579577</p>
Latch Bolt Receiver <i>(March 2003 to Present)</i>		
	<p>Note: Replaces all previous vintage AP/PA latch receivers. Use 2003 to present on patio doors with a passive panel: PALR, APLR.</p>	<p>AP/PA With Blocker 2579781</p>
Latch Blocker <i>(March 2003 to Present)</i>		
	<p>Note: Use 2003 to present on patio doors with stainless steel lock mechanism. Used on AP/PA latch bolt receiver. See Blocker Adjustment Video.</p> <p>Previous vintage blockers are available in the service only section page 149</p>	<p>Order No. 2579401</p>

400 Series Frenchwood® Hinged Doors (1988 to Present)

2 Panel, 3 Panel, and Stationary

Hardware

Vintage Latch Bolt Parts		
Blocker - Housing (1993 to 2003)		
	<p>Note: Plastic Insert blocker does not ship with blocker housing.</p> <p>Latch Blockers after March 2003 are available in the current hardware section page 148.</p>	<p>Order No.</p>
		<p>2579555</p>
Blocker - Plastic Insert (1993 to 2003)		
		<p>Black Plastic</p>
		<p>2579539</p>
Latch and Deadbolt Receivers (1988 to 1990)		
	<p>Note: This was a one piece latch receiver with the strike plate cover as one assembly. Use current vintage latch bolt receiver page 148 and strike plate cover for replacement page 138.</p> <p>Receiver on the right came in Right/Left handing and Antique Brass/Bright Brass finishes.</p>	<p>Order No.</p>
		<p>N/A</p>
Latch Bolt with Blocker AP/PA (1988 to 1990)		
	<p>Note: Use current vintage latch bolt receiver page 148.</p> <p>Part number listed under AW logo, 2579563.</p>	<p>Order No.</p>
		<p>N/A</p>

Hardware

Key Lock Parts

Note:

See [Accessory Guide 0005155](#). Parts included: lock spacer, tail piece seal, spacer gasket, seal, key cylinder, housing, and key. Keyed alike assembly only available in quantities of two or more. FSB stainless steel finish hardware uses satin nickel finish.

*Ashley Norton Black used with Dark Bronze, Dark Oil Rubbed, Matte Black and Flat Black finishes.

*Ashley Norton Brass used with Natural Bronze finish.

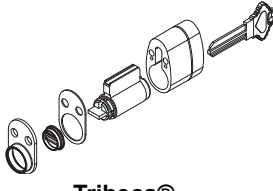
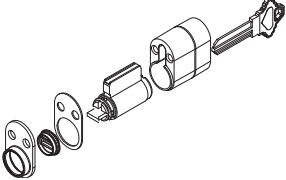
*Ashley Norton Nickel used with White Bronze, Satin Nickel, Polished Chrome, Polished Nickel and White Medium finishes.

**Baldwin Satin Brass used with Satin Black, Oil Rubbed Bronze, Satin Brass and Unlacquered Brass finishes.

**Baldwin Satin Chrome used with Satin Nickel finish.

† Ashley Norton can only be keyed alike to Ashley Norton locks. Baldwin can only be keyed alike to Baldwin locks

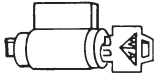


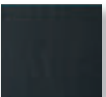
Exterior Keyed Lock Assembly

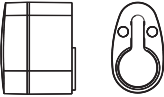
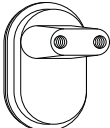
	Finish	Andersen		Ashley Norton		Baldwin	
		Keyed Assembly	Keyed Alike Assembly	Keyed Assembly	Keyed Alike Assembly†	Keyed Assembly	Keyed Alike Assembly†
 <p>Tribeca®</p>  <p>All Other Andersen Styles</p>	Stone (Tribeca)	2579722	9056143				
	Stone (Albany)	9007621	9056142				
	White (Tribeca)	2579721	9056145				
	White (Albany)	9007620	9056144				
	Antique Brass	2579519	9056133				
	Bright Brass	2579499	9056135				
	Polished Chrome	2579596	9056140				
	Brushed Chrome	2579753	9056136				
	Satin Nickel	2579457	9056141				
	Oil Rubbed Bronze/ Distressed Bronze	2579752	9056139				
	Distressed Nickel	2573827	9056137				
	Gold Dust	9007622	9056138				
	Black (Albany/FSB)	9007623	9056134				
	Black (Tribeca)	9184683	9184692				
	Black			9207257*			
Brass			9207258*				
Nickel			9207259*				
Satin Brass					9207266**		
Satin Chrome					9207267**		


400 Series Frenchwood® Hinged Doors (1988 to Present)

2 Panel, 3 Panel, and Stationary

Hardware

Lock Cylinder with Keys		Finish	Order No.
  Bright Brass  Chrome  Oil Rubbed Bronze	Note: Lock cylinders are available in three finishes: Bright Brass, Chrome, and Oil Rubbed Bronze. FSB stainless steel finish uses satin nickel (Chrome) finish. FSB black finish uses oil rubbed bronze finish. The table to the right shows the recommended selection for each trim set finish. Lock cylinders with keys “keyed alike” are available to order at an additional cost.	Stone (Tribeca)	2579641
		Stone (Albany)	2579641
		White (Tribeca)	2579641
		White (Albany)	2579641
		Antique Brass	2579637
		Bright Brass	2579637
		Polished Chrome	2579641
		Brushed Chrome	2579641
		Satin Nickel	2579641
		Oil Rubbed Bronze	2579389
		Distressed Bronze	2579389
		Distressed Nickel	2579641
		Gold Dust	2579641
		Black	2579389

Lock Set Dummy Cylinder		Finish	Order No.
 Tribeca®  All Other Styles	Note: Old style and current vintage cylinders are interchangeable. * 060 Antique Brass finish was offered from 1/99 to 7/99. The finish is commonly referred to as “chocolate brown.”	Stone (Tribeca)	2579860
		Stone (Albany)	9056226
		White (Tribeca)	2579847
		White (Albany)	9056227
		Antique Brass	2579581
		*060 Antique Brass	2579741
		Bright Brass	2579621
		Bright Brass	2579621
		Polished Chrome	2579582
		Brushed Chrome	N/A
		Satin Nickel	2579438
		Oil Rubbed Bronze	2579963
		Distressed Bronze	2573781
		Distressed Nickel	2573782
		Gold Dust	N/A
		Black	9056229

Blank Key - Reachout Lock		Order No.
	Note: Six pin key blank	2573561

Hardware

Hinge Parts

Hinge Kits (November 2005 to Present)

Note:

A new adjustable hinge for Frenchwood® Hinged Doors was phased into production starting in 11/2005 with the white-finished hinge for interior white doors. Additional finishes were added 2/2006. Brassy Gold finish standard on doors manufactured from 11/2005 to 9/2010. Gold Dust finish standard on doors manufactured 10/2010 to present. Hinges used prior to 11/2005 located in Service Replacement section, [page 154](#)

The new hinge can be identified by the name “Andersen” spelled out on the hinge leaf. The old hinge has an Andersen triangle logo. All doors manufactured after 4/2005 have a modified panel rout to accept the new hinge. Three and four pack hinge kits include a template for modifying the rout on doors manufactured prior to 4/2005. The new hinges and the old hinges are not interchangeable. When replacing an old hinge with a new, all hinges must be replaced.

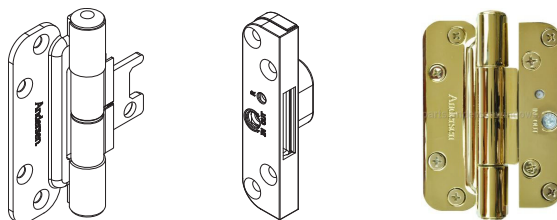
See [Hinge Adjustment Video](#). See [Hinge Replacement Video](#).

68 and 611 height doors use three hinges. 80 height uses four hinges.

Hinge Kit with Screws - Single Hinge Pack

Kit Includes:

Hinge (leaf and hinge receiver) installation screws, and [Service Guide 0005413](#). Current Antique Brass finish may not match previous vintages of Antique Brass. If using Brassy Gold hinge to replace Brassy Gold hinges used prior to 11/2005 all hinges must be replaced and hinge route template and [Service Guide 0005420](#) may be needed.



Color	Left	Right
White	2578972	2578944
Brassy Gold/Zinc	2578971	2578943
Antique Brass	2578974	2578946
Bright Brass	2578973	2578945
Polished Chrome	2578976	2578948
Brushed Chrome	2578977	2578949
Satin Nickel	2578978	2578950
Oil Rubbed Bronze	2578975	2578947
Distressed Bronze	2578979	2578951
Distressed Nickel	2578980	2578952
Gold Dust	9007598	9007595
Black	9007599	9007596

Hinge Route Template (November 2005 to Present)

	Order No.
	2579167

400 Series Frenchwood® Hinged Doors (1988 to Present)


2 Panel, 3 Panel, and Stationary

Hardware

Hinge Kit with Screws - 3 Hinge Pack / 68 & 611 Heights

Kit Includes:


3 hinges, hinge receivers, rout template, installation screws and guides. See [single hinge](#) for items N/A.

		Color	Left	Right
		White	N/A	N/A
		Antique Brass	N/A	N/A
		Bright Brass	N/A	N/A
		Polished Chrome	N/A	N/A
		Brushed Chrome	N/A	N/A
		Satin Nickel	N/A	N/A
		Oil Rubbed Bronze	N/A	N/A
		Distressed Bronze	N/A	N/A
		Distressed Nickel	N/A	N/A

Hinge Kit with Screws - 4 Hinge Pack / 80 Height

Kit Includes:

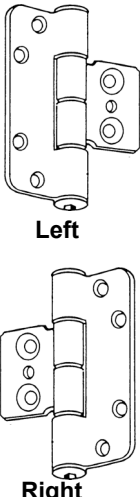
4 hinges, hinge receivers, rout template, installation screws and guides. See [single hinge](#) for items N/A.

		Color	Left	Right
		White	N/A	N/A
		Antique Brass	N/A	N/A
		Bright Brass	N/A	N/A
		Polished Chrome	N/A	N/A
		Brushed Chrome	N/A	N/A
		Satin Nickel	N/A	N/A
		Oil Rubbed Bronze	N/A	N/A
		Distressed Bronze	N/A	N/A
		Distressed Nickel	N/A	N/A

Hardware

Vintage Hinge Parts (Prior to November 2005)

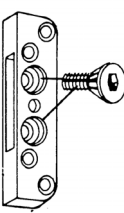
Leaf Hinge

 <p>Left</p> <p>Right</p>	<p>Note: If N/A, replace with current leaf hinge and receiver listed in hardware section, page 152. All hinges on the panel/frame must be replaced if replacing with current.</p>	Finish	Left	Right	Replacement
		Stone	N/A	N/A	See Note
		White	N/A	N/A	See Note
		Sandtone	N/A	2579868	See Note
		Brassy Gold (Standard Finish)	N/A	N/A	See Note
		Bright Brass	N/A	N/A	See Note
		Polished Chrome	N/A	N/A	See Note
		Brushed Chrome	N/A	N/A	See Note
		Satin Nickel	N/A	N/A	See Note
		Oil Rubbed Bronze	N/A	N/A	See Note

Hinge Screw Package

<p>Note: If N/A, current leaf hinge and receiver can be used, hardware section, page 152. All hinges on the panel/frame must be replaced if replacing with current.</p>	Finish	Order No.	Replacement
	Bright Brass	2579978	-
	Polished Chrome	2579980	-
	Brushed Chrome	N/A	-
	Oil Rubbed Bronze	N/A	See Note

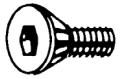
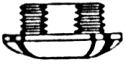
Hinge Receiver - 1 Piece with Lateral Adjustment Screws / Right Hand/Left Hand

	<p>Note: If N/A, replace with current leaf hinge and receiver listed in hardware section. page 152 All hinges on the panel/frame must be replaced if switching to current.</p> <p>Stone hinges are not available in the current style, gold dust is the suggested replacement.</p>	Finish	Order No.
		Stone	N/A
		White	2579869
		Sandtone	N/A
		Brassy Gold (Standard Finish)	N/A
		Bright Brass	N/A
		Polished Chrome	2579663
		Satin Nickel	N/A
Oil Rubbed Bronze	N/A		

400 Series Frenchwood® Hinged Doors (1988 to Present)

2 Panel, 3 Panel, and Stationary

Hardware

Hinge Fixing Screw				
	Description	Finish	Order No.	
	1/4 x 28 x.625 flat head hex socket machine screw	White	2579990	
		Terratone®	N/A	
		Brassy Gold (standard finish)	2579536	
		Bright Brass	2579982	
		Polished Chrome	2579984	
		Brushed Chrome	2579983	
		Satin Nickel	2579407	
		Oil Rubbed Bronze	2579981	
Caps for Vertical Adjuster Hinge Screw				
		Finish	Lower	Upper
		Brassy Gold (standard finish)	2579525	2579528

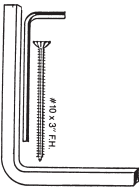
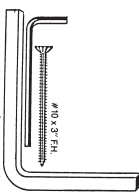

Hardware

Screw Packages - Hinge Kit			
Note: Oil Rubbed Bronze and Distressed Bronze hinge finishes use Black screw package finish.			
	Single Hinge Kit Screws for one hinge and receiver	3-Hinge Pack 68 or 611 units	4-Hinge Pack 80 units
	Kit Includes: (2) #10-12 x 1 Typ 17 FL HD (2) #10-12 x 3 Typ 17 FL HD (4) #10-12 x 1- 3/4 Typ 17 FLHD	Kit Includes: (6) #10 -12 x 1 TYP 17 FL HD (6) #10 -12 x 3 TYP 17 FL HD (12) #10-12 x 1- 3/4 TYP 17 FLHD	Kit Includes: (8) #10 - 12 x 1 TYP 17 FL HD (8) #10 - 12 x 3 TYP 17 FL HD (16) #10-12 x 1- 3/4 TYP 17 FLHD
Color	Order No.	Order No.	Order No.
White	2579770	9013232	9013236
Brassy Gold/Zinc	2579975	9013233	9013237
Antique Brass	2579976	2579175	2579180
Bright Brass	2579978	2579174	2579179
Polished Chrome	2579980	2579176	2579181
Brushed Chrome	2579979	2579176	2579181
Satin Nickel	2579979	2579176	2579181
Oil Rubbed Bronze	N/A	N/A	N/A
Distressed Bronze	N/A	N/A	N/A
Distressed Nickel	2579979	2579176	2579181
Gold Dust	9019323	9013235	9013239
Black	9019324	9013234	9013238

400 Series Frenchwood® Hinged Doors (1988 to Present)

2 Panel, 3 Panel, and Stationary

Hardware

Installation Kits						
Note: Single Active Panel kit to be used with units that have one active panel.						
Installation Kit with Screws						
	Kit Includes: (1) Installation Guide 0004234 (9) 3" x #10 Installation Screws	Single Stationary Panel 2571686				
Hinge Installation Kit with Screws						
	Kit Includes: 4 - 1" x #10 Stainless Steel Screws 1 - Allen Wrench 1 - Service Guide 0005413 1 - Installation Guide 0004234 1 - Temporary Lock Handle 8 - 3" x #10 White Head Installation Screws 11 - 3" x #10 Brass Head Installation Screws	Single Active Panel 2579543				
Installation Kit with Screws						
	Kit Includes: 4 - 1" x #10 Stainless Steel Screws 1 - Allen Wrench 1 - Service Guide 0005413 1 - Installation Guide 0004234 1 - Temporary Lock Handle 6 - 3" x #10 Installation Screws 16 - 3" x #10 White Head Installation Screws 16 - 3" x #10 Brass Head Installation Screws	2 Panel A/P 2571785				
Installation Kit - Door 72 x 83						
Note: Used for rectangular openings up to 72" x 83". See Installation Guide 9080775 .						
	Kit Includes: (1) Backer Rod - 20 ft. (64) Shims (54) Fasteners - 1 1/2" Roofing nails (1) Flexible Sill Flashing Tape - 7 ft. (1) Insulating Foam - 12 oz. can (3) Sealant - 10.1 oz. tube Installation Guide	<table border="1"> <thead> <tr> <th>Product Lines</th> <th>Order No.</th> </tr> </thead> <tbody> <tr> <td>Multiple</td> <td>9080774</td> </tr> </tbody> </table>	Product Lines	Order No.	Multiple	9080774
Product Lines	Order No.					
Multiple	9080774					

Hardware

Miscellaneous Hardware Parts

Extension Jamb Strike Extender with Screws

Note:

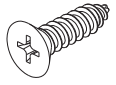
Numbers in red have been discontinued. 7 9/16" size is for service replacement only on Tribeca trim sets. Current Antique Brass finish may not match previous vintages of Antique Brass.

Kit Includes:

Strike plate extension and screws, 8 -18 x 5/8 panhead.

	Finish	5 1/4" Wall	6 9/16" Wall	7 1/8" Wall	7 9/16" Wall
		1 3/32"	2 13/32"	2 31/32"	3 13/32"
	Stone	2579928	2579933	2579938	N/A
	White	2579927	2579932	2579937	2579416
	Antique Brass	2579686	2579688	2579676	2579690
	Bright Brass	2579552	2579554	2579675	2579556
	Polished Chrome	2579691	2579692	2579677	N/A
	Brushed Chrome	2579926	2579931	2579936	N/A
	Satin Nickel	2579452	2579453	2579454	N/A
	Oil Rubbed Bronze/ Distressed Bronze	2579925	2579930	2579935	N/A
	Distressed Nickel	2573831	2573832	2573833	N/A
	Gold Dust	9007634	9007636	9007638	N/A
	Black	9007635	9007637	9007639	N/A


Screws - Extension Jamb Strike Extender

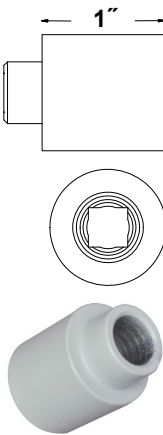
	Description	Finish	Order No.
	2 -18 x 5/8 PH FL TYP AB	Stone	2578303
White		2578299	
Antique Brass		2578296	
Bright Brass		2578297	
Polished Chrome/ Brushed Chrome/ Satin Nickel		2578295	
Oil Rubbed Bronze/ Distressed Bronze		2578298	
Distressed Nickel		2578305	
Gold Dust		N/A	
Black		N/A	

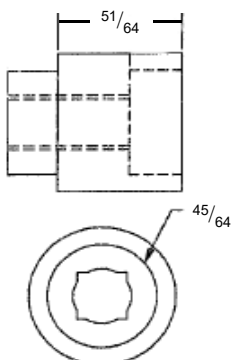
400 Series Frenchwood® Hinged Doors (1988 to Present)

2 Panel, 3 Panel, and Stationary

Hardware

Door Stop		Finish	Order No.
	Note: Current Antique Brass finish may not match previous vintages of Antique Brass.	Stone	2579458
		White	2579687
		Antique Brass	2577520
		Bright Brass	2579501
		Polished Chrome	2577529
		Brushed Chrome	2579940
		Satin Nickel	2579445
		Oil Rubbed Bronze	2579939
		Distressed Bronze	2573799
		Distressed Nickel	2573801
		Gold Dust	9007626
		Black	9007627

Handle Extender - 1" (1999 to Present)		Finish	Order No.
Note: See spindle options. See Installation Video .			
	Note: Handle extenders are made for handles 1999 to present. Vintage handle extenders are no longer available see page 159	Stone	2579851
		White	2579838
		Antique Brass	2579820
		Bright Brass	2579821
		Polished Chrome	2579819
		Brushed Chrome	2579908
		Satin Nickel	2579440
		Oil Rubbed Bronze	2579907
		Distressed Bronze	2573787
		Distressed Nickel	2573788
		Gold Dust	N/A
		Black	9007633

Vintage Miscellaneous Hardware Parts			
Handle Extender (1988 to 1999)			
	Note: Use the following for replacement: 1. Current vintage interior handle in the desired finish (see handles in Hardware Collections starting on page 104 . 2. Current vintage handle extender in the desired finish see page 159 . 3. Current vintage nylon bushings Tribeca see page 107 . All other hardware see page 135 .	Finish	Order No.
		Antique Brass	N/A
		Bright Brass	
Polished Chrome			

Hardware

Fasteners

Note:

Screw - Insect Screen Latch to Astragal, Receiver Side Jambs			
	Description	Finish	Order No.
	#8 ROUND HEAD	Stainless Steel	-
Screw - Head and Sill Corner Lock, Head Jamb Sub-Assembly			
	Description	Finish	Order No.
	#7 FLAT HEAD	Stainless Steel	-
Screw - Astragal to Sill. Center to Wood			
	Description	Finish	Order No.
	#8 PAN HEAD	Steel	-
Screw - Astragal to Head Jamb			
	Description	Finish	Order No.
	#8 FLAT HEAD	Steel	-
Screw - Frame Assembly, Stationary Panel Installation			
	Description	Finish	Order No.
	#10 FLAT HEAD	Steel	1973113
Screw - Lock Hardware to Lock Stile			
	Description	Finish	Order No.
	#8 FLAT HEAD	Steel	2579415
Screw - Astragal, Side Jambs, Head Jambs and Sills			
	Description	Finish	Order No.
	#10 FLAT HEAD	Steel	-
Screw - Oak Sill Step to Sill Core			
	Description	Finish	Order No.
	#8 FLAT HEAD	Brass	3621310
Screw - Hardware to Stiles, Astragal to Stationary Panel			
	Description	Finish	Order No.
	#10 FLAT HEAD	Steel	-
Screw - SAS Units Hinge, Astragal to Stationary Panel			
	Description	Finish	Order No.
	#10 FLAT HEAD	Steel	-
Screw - SAS Units Insect Screen Bumper to Sill			
	Description	Finish	Order No.
	#8 FLAT HEAD	Stainless Steel	-
Screw - SAS Units Insect Screen Bumper to Head Jamb			
	Description	Finish	Order No.
	#8 FLAT HEAD	Stainless Steel	-

400 Series Frenchwood® Hinged Doors (1988 to Present)

2 Panel, 3 Panel, and Stationary

Hardware

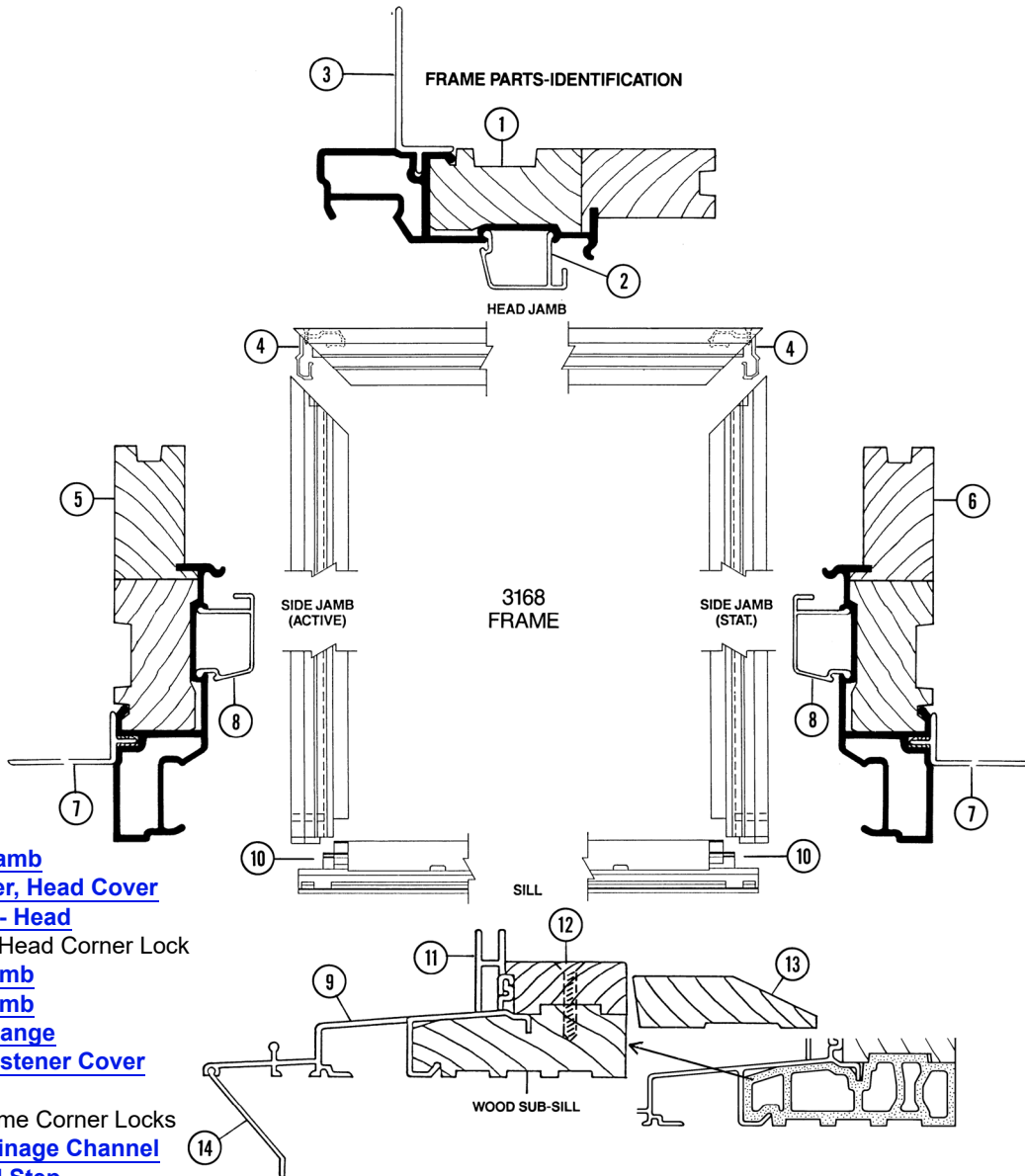
Screw - AP/PA Astragal End Cap			
	Description	Finish	Order No.
	#6 FLAT HEAD	Stainless Steel	-
Screw - AP/PA Astragal to Passive Panel			
	Description	Finish	Order No.
	#10 FLAT HEAD	Zinc Dichromate	-
Screw - Operating Bottom Rail Filler			
	Description	Finish	Order No.
	#8 FLAT HEAD	Steel	1361962
Screw - Sash Laminate Kit			
	Description	Finish	Order No.
	#8 FLAT HEAD	Steel	-
Screw - Sub-Assembly			
	Description	Finish	Order No.
	#10 FLAT HEAD	Steel	-
Screw -			
	Description	Finish	Order No.
	8-18X2 3/8 PH BUGLE HD		2579993
Screw -			
	Description	Finish	Order No.
	10-12X2 1/2TYP 17 PH FL STL Z-Y-D		3621230
Screw -			
	Description	Finish	Order No.
	10-12X3 1/2TYP A PH SP FL STL Z-Y		3621460

Frames

Frame - Single Panel

Note:

Active shown. See latest [Product Details](#).



1. [Head Jamb](#)
2. [Fastener, Head Cover](#)
3. [Flange - Head](#)
4. Frame, Head Corner Lock
5. [Side Jamb](#)
6. [Side Jamb](#)
7. [Side, Flange](#)
8. [Side Fastener Cover](#)
9. [Sill](#)
10. Sill, Frame Corner Locks
11. [Sill Drainage Channel](#)
12. [Oak Sill Step](#)
13. [Oak Threshold](#)
14. [Sill Support](#)

Frenchwood® Hinged Door Frame Assembly

400 Series Frenchwood® Hinged Doors (1988 to Present)

2 Panel, 3 Panel, and Stationary

Frames

Frames

Note:

Replacement frames are available by description or configured. Product ID label is located on top edge of operating panel.

Guide to door types:

A: Active **S:** Stationary **AP:** Active Passive **PA:** Passive Active **AS:** Active Stationary **SA:** Stationary Active
SS: Stationary Stationary **SSS:** Stationary Stationary Stationary **SAS:** Stationary Active Stationary

Exterior color options:

White, Terratone®, Sandtone, Forest Green.

Interior finish options:

Pine, Maple, Oak, Pre-finished white.

To order, state:

1. **Description of part (Frame Only)**
2. **Door Type**
3. **Size**
4. **Handing**
5. **Exterior Color**
6. **Interior Finish**
7. **Quantity**
8. **Product ID (from product label, see [Service Guide 9051877](#).)**

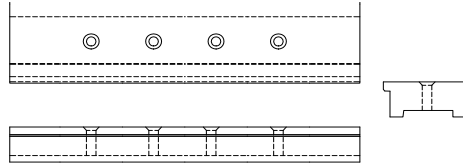
Frames

Sill Components

Sill Step with Screws - Oak

Note:

*Use the parts with an asterisk on units with manually activated passive lock mechanisms, offered from 1990 to 1993. End gaskets were added to AP/PA unit sill step in 2/2008 and to the other configurations in mid-2011.



Unit No.	Type	Quantity of Screws Used	Length	Oak	Unit No.	Type	Quantity of Screws Used	Length	Oak
FWH21	—	3	22 ⁷ / ₁₆	2578618	FWH54	AP/PA	8	61 ⁷ / ₃₂	2578627
FWH27	—	3	28 ³ / ₆₄	2578620	FWH50	AP/PA	8	57 ⁷ / ₃₂	2578629
FWH29	—	4	30 ³ / ₆₄	2578622	FWH50* (1990 to 1993)	AP/PA	8	57 ⁷ / ₃₂	2578626
FWH31	—	4	34 ³ / ₆₄	2578624	FWH60	AP/PA	8	69 ⁷ / ₃₂	2578631
FWH41	AP/PA	6	45 ¹⁵ / ₁₆	2578619	FWH60* (1990 to 1993)	AP/PA	8	69 ⁷ / ₃₂	2578628

Sill End Gasket

	Left	Right
	9000909	9000910

Sill Step Screw

Description	Order No.
#8 x 1 1/2 brass PH FL	2562415

Sill Drainage Channel

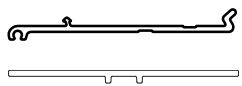
	Unit No.	Type	Dimensions	Gray
	FWH21	—	21 ¹⁵ / ₃₂	2578601
	FWH27	—	27 ⁵ / ₆₄	2578602
	FWH29	—	29 ⁵ / ₆₄	2578604
	FWH31	—	33 ⁵ / ₆₄	2578608
	FWH41	AP/PA	44 ³¹ / ₃₂	2578596
	FWH50	AP/PA	56 ¹⁵ / ₆₄	2578597
	FWH54	AP/PA	60 ¹⁵ / ₆₄	2578598
	FWH60	AP/PA	68 ¹⁵ / ₆₄	2578599

400 Series Frenchwood® Hinged Doors (1988 to Present)

2 Panel, 3 Panel, and Stationary

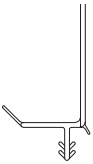

Frames

Sill Support with Screws		
	Order No.	Gray
	PD30	1997055
	PD40	1997056
	PD50	1997054
	PD60	1997057
	PD80	1997058
	PD90	1997059
	PD100	2573218
	PD120	1997060
	PD160	2573216

Exterior Sill Extension - Gray					
Note:					
Includes sill spacer. See Accessory Guide 0004282 .					
	Unit No.	Dimensions	5 1/4" Wall	6 9/16" Wall	7 9/16" Wall
	FWH21/27/29/31	39	2577236	2577336	2577436
	FWH50/60	75	2577238	2577338	2577438
	FWH80/90	111	2577240	2577340	2577440
	FWH106	126	2577235	2577335	2577435

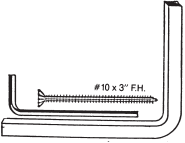
Frames

Installation Flanges

Flange - Head						
	Unit No.	Length	Order No	Unit No.	Length	Gray
	FWH21	27 ¹ / ₃₂	2578301	FWH50	61 ¹³ / ₁₆	2578308
	FWH27	32 ²¹ / ₃₂	2578302	FWH54	65 ¹³ / ₁₆	2578310
	FWH29	34 ²¹ / ₃₂	2578304	FWH60	73 ¹³ / ₁₆	2578312
	FWH31	38 ²¹ / ₃₂	2578306	FWH80	97 ²³ / ₃₂	2578314
	FWH41	50 ⁹ / ₁₆	2578307	FWH90	109 ²³ / ₃₂	2578318
Flange - Side (Pair)						
	Unit No.	Length			Gray	
	FWH68	80 ¹ / ₄			2550026	
	FWH611	83 ⁵ / ₃₂			2427016	
	FWH76	90 ¹ / ₄			2577697	
	FWH80	96 ¹ / ₄			2572536	

Installation Kits

Hinge Installation Kit with Screws

	Kit Includes: (1) Service Guide 0005413 (9) 3" x #10 Stainless Steel Screws	Single Panel
		2579543


Installation Kit with Screws / Passive

	Kit Includes: (4) 1" x #10 Stainless Steel Screws (1) Allen Wrench (1) Service Guide 0005413 (1) Installation Guide 0004234 (1) Temporary Lock Handle (6) 3" x #10 Installation Screws (16) 3" x #10 White Head Installation Screws (16) 3" x #10 Brass Head Installation Screws	2/3 & AP/PA Panel
		2571785

Installation Kit - Door 72 x 83

Note:

Used for rectangular openings up to 72" x 83". See [Installation Guide 9080775](#).

	Kit Includes: (1) Backer Rod - 20 ft. (64) Shims (54) Fasteners - 1 1/2" Roofing nails (1) Self-Adhering Flashing Tape - 22 ft. (1) Flexible Sill Flashing Tape - 7 ft. (1) Insulating Foam - 12 oz. can (3) Sealant - 10.1 oz. tube Installation Guide	Product Lines	Order No.
		Multiple	9080774

400 Series Frenchwood® Hinged Doors (1988 to Present)

2 Panel, 3 Panel, and Stationary

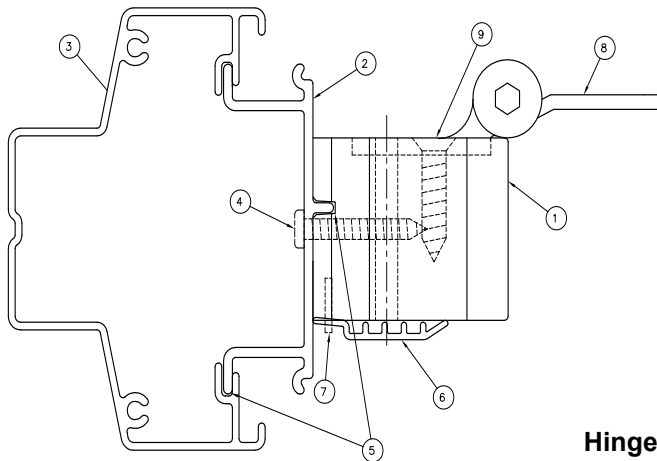
Frames

Astragal

Note:

Hinge/receiver astragals are not available as a replacement part and entire frame replacement required if part is needed. Drawing is for reference only. **SAS:** Stationary Active Stationary

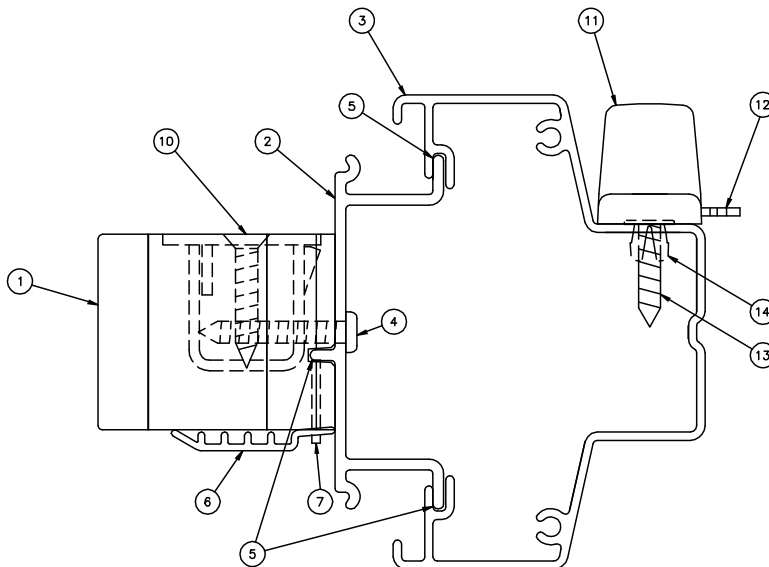
Hinge Astragal with Screws



1. Astragal, Inside LSAS
2. Astragal, Center
3. Astragal, Outside
4. #8 x 1-1/8 screw, PH pan STL
5. Adhesive
6. Filler, Stationary Panel
7. Staple
8. Hinge, Leaf
9. Screw

Hinge Astragal

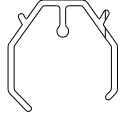
Receiver Astragal with Screws



1. Astragal, Inside Receiver
2. Astragal, Center
3. Astragal, Outside
4. #8 x 1-1/8 screw, PH pan STL
5. Adhesive
6. Filler, Stationary Panel
7. Staple
8. Receiver, Latch
9. Receiver, Hookbolt
10. #10 - 12 x 1 Screw, PH FL STL
11. Insect Screen Latch
12. Insect Screen Hook
13. #8 x 1 Screw, PH SP RND 18-8 SS PASS
14. Astragal Grommet

Receiver Astragal

Frames

Insect Screen Head Guide						
Insect Screen Head Guide						
	Unit No.	Length	White	Terratone®	Sandtone	Forest Green
	FWH41	N/A	N/A	N/A	N/A	N/A
	FWH50	57 ¹ / ₁₆	2578708	2668408	0924402	1267612
	FWH54	61 ¹ / ₁₆	2578710	2668410	0924403	1267613
	FWH60	69 ¹ / ₁₆	2578712	2668412	0924404	1267614
	FWH80	92 ³¹ / ₃₂	2578714	2668414	0924406	1267615
	FWH90	104 ³¹ / ₃₂	2578718	2668418	0924408	1267616

400 Series Frenchwood® Hinged Doors (1988 to Present)

2 Panel, 3 Panel, and Stationary

Frames

Fastener Covers

Guide to door types:

A: Active **S:** Stationary **AP:** Active Passive **PA:** Passive Active **AS:** Active Stationary **SA:** Stationary Active
SS: stationary Stationary **SSS:** Stationary Stationary Stationary **SAS:** Stationary Active Stationary **R:** Right **L:** Left

Note:

Fastener covers for custom sized doors are made to order. Product ID label is located on top edge of operating panel.

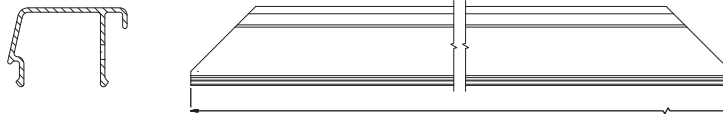
To order, state:

1. Description of part (Fastener Covers, Head or Side)
2. Type (S/A/AP/PA/SAS)
3. Quantity
4. Product ID (from product label, see [Service Guide 9051877](#).)

Fastener Cover - Head / Single

Note:

Head fastener covers are mitered on both ends for use with single hinged doors only.
 One (1) head fastener cover per door unit.



Unit No.		Length	White	Terratone®	Sandtone	Forest Green
FWH21	S/AR/AL	21 ¹¹ / ₁₆	2578503	2668301	0924307	1267572
FWH27	S/A	27 ⁵ / ₁₆	2578528	2668328	0924306	1267573
FWH29	S/A	29 ⁵ / ₁₆	2578530	2668330	0924312	1267576
FWH31	S/AR/AL	33 ⁵ / ₁₆	2578522	2668322	0924318	1267579

Fastener Cover - Head / AP/PA

Note:

Head fastener covers are mitered on both ends for use with AP/PA doors.
 One (1) head fastener cover per door unit.

Unit No.		Length	White	Terratone®	Sandtone	Forest Green
FWH41	AP/PA	45 ¹ / ₄	2578531	2668303	0924309	1267582
FWH50	AP/PA	56 ¹ / ₂	2578532	2668332	0924324	1267583
FWH54	AP/PA	60 ¹ / ₂	2578533	2668333	0924325	1267584
FWH60	AP/PA	68 ¹ / ₂	2578534	2668334	0924326	1267585

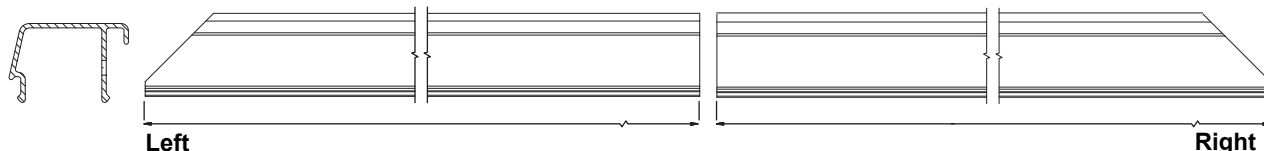
Frames

Fastener Cover - Head / 2 and 3 Panel

Note:

Head fastener covers have one flat end and one mitered end for use with 2 and 3 panel doors. Handed as located on frame as viewed from the exterior.

Two (2) head fastener cover per door unit: 1right and 1 left hand.

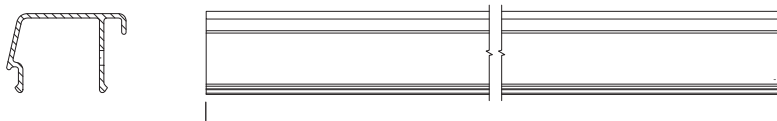


Unit No.	Length	White		Terratone®		Sandtone		Forest Green	
		Left	Right	Left	Right	Left	Right	Left	Right
FWH21	21 ¹⁵ / ₁₆	9055446	9055447	9055448	9055449	9055442	9055443	9055444	9055445
FWH27	27 ⁵ / ₈	2578502	2578508	2668302	2668308	0924302	0924304	1267574	1267575
FWH29	29 ⁵ / ₈	2578504	2578510	2668304	2668310	0924308	0924310	1267577	1267578
FWH31	33 ⁵ / ₈	2578506	2578512	2668306	2668312	0924314	0924316	1267580	1267581

Fastener Cover - Center / 3 Panel

Note:

Head fastener cover only used in the center of 3 panel doors.

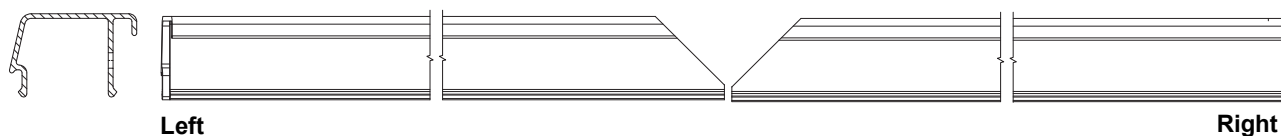


Unit No.	Type	Length	White	Terratone®	Sandtone	Forest Green
FWH29	SAS	27 ⁶¹ / ₆₄	2578526	2668326	0924320	1267570
FWH31	SAS	31 ⁶¹ / ₆₄	2578524	2668324	0924322	1267571

Fastener Cover - Side

Note:

Handed as cover sits on the frame as viewed from the exterior.



Unit No.	Dimensions	White		Terratone®		Sandtone		Forest Green	
		Left	Right	Left	Right	Left	Right	Left	Right
FWH68	77 ³ / ₁₆	2578514	2578518	2668314	2668318	0924328	0924330	1267586	1267587
FWH611	80 ³ / ₁₆	2578515	2578517	2668315	2668319	0924329	0924331	1267588	1267589
FWH76	87 ³ / ₁₆	2578694	2578695	By description		0924375	0924376	By description	
FWH80	93 ³ / ₁₆	2578516	2578520	2668316	2668320	0924332	0924334	1267590	1267591

400 Series Frenchwood® Hinged Doors (1988 to Present)

2 Panel, 3 Panel, and Stationary

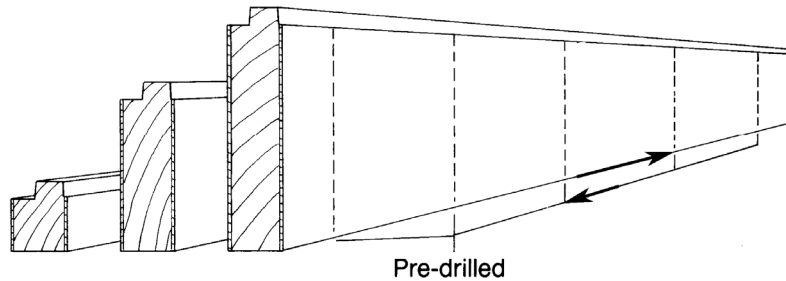
Frames

Extension Jamb - Interior

Kit Includes:

1 head jamb, 1 side stationary jamb, and 1 side active jamb.

See [Accessory Guide 0004246](#).



Frenchwood® Hinged Interior Extension Jamb

Extension Jamb Head/Sides - Interior / Pine

Unit No.	Type	Head	Sides	5 1/4" Wall		6 9/16" Wall		7 1/8" Wall	
				Left	Right	Left	Right	Left	Right
FWH68	A	35 7/8	78 9/16	2577202		2577302		2577402	
FWH611	A	35 7/8	81 7/16	2577203	2577207	2577303	2577307	2577403	2577407
FWH80	A	35 7/8	94 9/16	2577222	2577224	2577322	2577324	2577422	2577424
FWH31100	A	35 7/8	120	2577597	2577596	2577613	2577612	2577625	2577624
FWH68	AS/SA	71	78 9/16	2577206		2577306		2577406	
FWH611	SA/AS	71	81 7/16	2577212	2577213	2577312	2577313	2577412	2577413
FWH80	SA/AS	71	94 9/16	2577230	2577228	2577330	2577328	2577430	2577428
FWH60100	A	71	120	2577637	2577636	2577649	2577648	2577661	2577660
FWH10 ft	SA/AS	120	120	2577561	2577560	2577573	2577572	2577585	2577584
FWH68	SSAL/ASSR	106 15/16	78 9/16	9105690	9105681	9105693	9105684	9105696	9105687
FWH611	SSAL/ASSR	106 15/16	81 7/16	9105691	9105682	9105694	9105685	9105697	9105688
FWH80	SSAL/ASSR	106 15/16	94 9/16	9105692	9105683	9105695	9105686	9105698	9105689

Extension Jamb Head/Sides - Interior / Maple

Unit No.	Type	Head	Sides	5 1/4" Wall		6 9/16" Wall		7 1/8" Wall	
				Left	Right	Left	Right	Left	Right
FWH68	A	35 7/8	78 9/16	2577215		2577381		2577479	
FWH611	A	35 7/8	81 7/16	2577219	2577220	2577386	2577387	2577484	2577485
FWH80	A	35 7/8	94 9/16	2577231	2577233	2577393	2577394	2577491	2577492
FWH31100	A	35 7/8	120	2577601	2577599	2577619	2577618	2577631	2577630
FWH68	AS/SA	71	78 9/16	2577214		2577382		2577480	
FWH611	SA/AS	71	81 7/16	2577221	2577223	2577388	2577389	2577486	2577487

Frames

Extension Jamb Head/Sides - Interior / Maple									
				5 1/4" Wall		6 9/16" Wall		7 1/8" Wall	
Unit No.	Type	Head	Sides	Left	Right	Left	Right	Left	Right
FWH80S	SA/AS	71	94 9/16	2577239	2577237	2577396	2577395	2577494	2577493
FWH60100	A	71	120	2577640	2577639	2577655	2577654	2577667	2577666
FWH10ft	SA/AS	120	120	2577564	2577563	2577579	2577578	2577591	2577590
FWH68	SSAL/ASSR	106 15/16	78 9/16	9105708	9105699	9105711	9105702	9105714	9105705
FWH611	SSAL/ASSR	106 15/16	81 7/16	9105709	9105700	9105712	9105703	9105715	9105706
FWH80	SSAL/ASSR	106 15/16	94 9/16	9105710	9105701	9105713	9105704	9105716	9105707

Extension Jamb Head/Sides - Interior / Oak									
				5 1/4" Wall		6 9/16" Wall		7 1/8" Wall	
Unit No.	Type	Head	Sides	Left	Right	Left	Right	Left	Right
FWH68	A	35 7/8	78 9/16	2577182		2577362		2577460	
FWH611	A	35 7/8	81 7/16	2577186	2577187	2577367	2577368	2577465	2577466
FWH80	A	35 7/8	94 9/16	2577193	2577194	2577374	2577375	2577472	2577473
FWH31100	A	35 7/8	120	2577607	2577605	2577616	2577615	2577628	2577627
FWH68	AS/SA	71	78 9/16	2577181		2577363		2577461	
FWH611	SA/AS	71	81 7/16	2577188	2577189	2577369	2577370	2577467	2577468
FWH80S	SA/AS	71	94 9/16	2577196	2577195	2577377	2577376	2577475	2577474
FWH60100	A	71	120	2577643	2577642	2577652	2577651	2577664	2577663
FWH10ft	SA/AS	120	120	2577567	2577566	2577576	2577575	2577588	2577587
FWH68	SSAL/ASSR	106 15/16	78 9/16	9105726	9105717	9105729	9105720	9105732	9105723
FWH611	SSAL/ASSR	106 15/16	81 7/16	9105727	9105718	9105730	9105721	9105733	9105724
FWH80	SSAL/ASSR	106 15/16	94 9/16	9105728	9105719	9105731	9105722	9105734	9105725

Extension Jamb Head/Sides - Interior / Vinyl Wrapped White									
				5 1/4" Wall		6 9/16" Wall		7 1/8" Wall	
Unit No.	Type	Head	Sides	Left	Right	Left	Right	Left	Right
FWH68	A	35 7/8	78 9/16	2576044		2576062		2576081	
FWH611	A	35 7/8	81 7/16	2576048	2576049	2576067	2576068	2576086	2576087
FWH80	A	35 7/8	94 9/16	2576055	2576056	2576074	2576075	2576093	2576094
FWH31100	A	35 7/8	120	2577610	2577609	2577622	2577621	2577634	2577633
FWH68	AS/SA	71	78 9/16	2576043		2576063		2576082	
FWH611	SA/AS	71	81 7/16	2576050	2576051	2576069	2576070	2576088	2576089
FWH80	SA/AS	71	94 9/16	2576058	2576057	2576077	2576076	2576096	2576095
FWH60100	A	71	120	2577646	2577645	2577658	2577657	2577670	2577669
FWH10ft	SA/AS	120	120	2577570	2577569	2577582	2577581	2577594	2577593
FWH68	SSAL/ASSR	106 15/16	78 9/16	9105744	9105735	9105747	9105738	9105750	9105741
FWH611	SSAL/ASSR	106 15/16	81 7/16	9105745	9105736	9105748	9105739	9105751	9105742
FWH80	SSAL/ASSR	106 15/16	94 9/16	9105746	9105737	9105749	9105740	9105752	9105743

400 Series Frenchwood® Hinged Doors (1988 to Present)

2 Panel, 3 Panel, and Stationary

Frames

Extension Jamb Head/Sides - Interior / Pine						
Unit No.	Type	Head	Side	5 1/4" Wall	6 9/16" Wall	7 1/8" Wall
FWH68	S	35 7/8	78 9/16	2577204	2577304	2577404
FWH611	S	35 7/8	81 7/16	2577205	2577305	2577405
FWH80	S	35 7/8	94 9/16	2577226	2577326	2577426
FWH31100	S	35 7/8	120	2577595	2577611	2577623
FWH68	AP/PA/SS	71	78 9/16	2577210	2577310	2577410
FWH611	AP/PA/SS	71	81 7/16	2577211	2577311	2577411
FWH80	AP/PA/SS	71	94 9/16	2577234	2577334	2577434
FWH60100	S	71	120	2577635	2577647	2577659
FWH68	SAS/SSS/ ASSL/SSAR	106 15/16	78 9/16	2577208	2577308	2577408
FWH611	SAS/SSS/ ASSL/SSAR	106 15/16	81 7/16	2577209	2577309	2577409
FWH80	SAS/SSS/ ASSL/SSAR	106 15/16	94 9/16	2577232	2577332	2577432
FWH10 ft	SS	120	120	2577559	2577571	2577583

Extension Jamb Head/Sides - Interior / Painted White									
Unit No.	Type	Head	Sides	5 1/4" Wall		6 9/16" Wall		7 1/8" Wall	
				Left	Right	Left	Right	Left	Right
FWH68	A	35 7/8	78 9/16	2572356		2572462		2572572	
FWH611	A	35 7/8	81 7/16	2572361	2572380	2572467	2572468	2572577	2572596
FWH80	A	35 7/8	94 9/16	2572368	2572369	2572474	2572475	2572584	2572585
FWH31100	A	35 7/8	120	2572376	2572377	2572482	2572483	2572592	2572593
FWH68	AS/SA	71	78 9/16	2572357		2572463		2572573	
FWH611	SA/AS	71	81 7/16	2572363	2572364	2572469	2572470	2572579	2572580
FWH80	SA/AS	71	94 9/16	2572370	2572371	2572476	2572477	2572586	2572587
FWH60100	A	71	120	2572379	2572380	2572485	2572486	2572595	2572596
FWH10 ft	SA/AS	120	120	2572373	2572374	2572479	2572480	2572589	2572590
FWH68	SSAL/ASSR	106 15/16	78 9/16	9105762	9105753	9105765	9105756	9105768	9105759
FWH611	SSAL/ASSR	106 15/16	81 7/16	9105763	9105754	9105766	9105757	9105769	9105760
FWH80	SSAL/ASSR	106 15/16	94 9/16	9105764	9105755	9105767	9105758	9105770	9105761

Frames

Extension Jamb Head/Sides - Interior / Maple						
Unit No.	Type	Head	Sides	5 1/4" Wall	6 9/16" Wall	7 1/8" Wall
FWH68	S	35 7/8	78 9/16	2577197	2577378	2577476
FWH611	S	35 7/8	81 7/16	2577216	2577383	2577481
FWH80	S	35 7/8	94 9/16	2577225	2577390	2577488
FWH31100	S	35 7/8	120	2577598	2577617	2577629
FWH68	AP/PA/SS	71	78 9/16	2577199	2577380	2577478
FWH611	AP/PA/SS	71	81 7/16	2577218	2577385	2577483
FWH80	AP/PA/SS	71	94 9/16	2577229	2577392	2577490
FWH60100	S	71	120	2577638	2577653	2577665
FWH68	SAS/SSS/ ASSL/SSAR	106 15/16	78 9/16	2577198	2577379	2577477
FWH611	SAS/SSS/ ASSL/SSAR	106 15/16	81 7/16	2577217	2577384	2577482
FWH80	SAS/SSS/ ASSL/SSAR	106 15/16	94 9/16	2577227	2577391	2577489

Extension Jamb Head/Sides - Interior / Oak						
Unit No.	Type	Head	Sides	5 1/4" Wall	6 9/16" Wall	7 1/8" Wall
FWH68	S	35 7/8	78 9/16	2577178	2577359	2577457
FWH611	S	35 7/8	81 7/16	2577183	2577364	2577462
FWH80	S	35 7/8	94 9/16	2577190	2577371	2577469
FWH31100	S	35 7/8	120	2577603	2577614	2577626
FWH68	AP/PA/SS	71	78 9/16	2577180	2577361	2577459
FWH611	AP/PA/SS	71	81 7/16	2577185	2577365	2577464
FWH80	AP/PA/SS	71	94 9/16	2577192	2577373	2577471
FWH60100	S	71	120	2577641	2577650	2577662
FWH68	SAS/SSS/ ASSL/SSAR	106 15/16	78 9/16	2577179	2577360	2577458
FWH611	SAS/SSS/ ASSL/SSAR	106 15/16	81 7/16	2577184	2577365	2577463
FWH80	SAS/SSS/ ASSL/SSAR	106 15/16	94 9/16	2577191	2577372	2577470
FWH10ft	SS	120	120	2577565	2577574	2577586

400 Series Frenchwood® Hinged Doors (1988 to Present)

2 Panel, 3 Panel, and Stationary

Frames

Extension Jamb Head/Sides - Interior / Vinyl Wrapped White						
Unit No.	Type	Head	Sides	5 1/4" Wall	6 9/16" Wall	7 1/8" Wall
FWH68	S	35 7/8	78 9/16	2576040	2576059	2576078
FWH611	S	35 7/8	81 7/16	2576045	2576064	2576083
FWH80	S	35 7/8	94 9/16	2576052	2576071	2576090
FWH31100	S	35 7/8	120	2577608	2577620	2577632
FWH68	AP/PA/SS	71	78 9/16	2576042	2576061	2576080
FWH611	AP/PA/SS	71	81 7/16	2576047	2576066	2576085
FWH80	AP/PA/SS	71	94 9/16	2576054	2576073	2576092
FWH60100	S	71	120	2577644	2577656	2577668
FWH68	SAS/SSS/ ASSL/SSAR	106 15/16	78 9/16	2576041	2576060	2576079
FWH611	SAS/SSS/ ASSL/SSAR	106 15/16	81 7/16	2576046	2576065	2576084
FWH80	SAS/SSS/ ASSL/SSAR	106 15/16	94 9/16	2576053	2576072	2576091
FWH10ft	SS	120	120	2577568	2577580	2577592

Extension Jamb Head/Sides - Interior / Painted White						
Unit No.	Type	Head	Sides	5 1/4" Wall	6 9/16" Wall	7 1/8" Wall
FWH68	S	35 7/8	78 9/16	2572353	2572459	2572569
FWH611	S	35 7/8	81 7/16	2572358	2572464	2572574
FWH80	S	35 7/8	94 9/16	2572365	2572471	2572581
FWH31100	S	35 7/8	120	2572375	2572481	2572591
FWH68	AP/PA/SS	71	78 9/16	2572355	2572461	2572571
FWH611	AP/PA/SS	71	81 7/16	2572360	2572466	2572576
FWH80	AP/PA/SS	71	94 9/16	2572367	2572473	2572583
FWH60100	S	71	120	2572378	2572484	2572594
FWH68	SAS/SSS/ ASSL/SSAR	106 15/16	78 9/16	2572354	2572460	2572570
FWH611	SAS/SSS/ ASSL/SSAR	106 15/16	81 7/16	2572359	2572465	2572575
FWH80	SAS/SSS/ ASSL/SSAR	106 15/16	94 9/16	2572366	2572472	2572582
FWH10ft	SS	120	120	2572372	2572478	2572588

Frames

Extension Jamb Kits - Exterior

Note:

Exterior jamb kit can be used alone or with double hinge insect screen. It cannot be used with double gliding insect screen track. See [Accessory Guide 0005208](#).

Kit Includes:

Head clip, side clips (2), sill extension, corner locks (2), head cover, side covers (2), sill spacer, screw pack, installation rivets and instructions.

Note:

Exterior extension jamb kits for custom sized doors are made to order. Product ID label is located on top edge of operating panel.

To order, state:

1. Description of part (Exterior Extension Jamb Kit)
2. Quantity
3. Product ID (from product label, see [Service Guide 9051877](#).)

Extension Jamb Kit - Exterior / 5 1/4" Wall

Unit No.		White	Terratone®	Sandtone	Forest Green
21	FWH2168	2577341	2667798	0921289	1267480
	FWH21611	2577342	2667799	0921290	1267490
	FWH2180	2577343	2667801	0921291	1267817
27	FWH2768	2577241	2667841	0921241	1267481
	FWH27611	2577289	2667817	0921217	1267491
	FWH2780	2577265	2667865	0921265	1267501
29	FWH2968	2577242	2667842	0921242	1267482
	FWH29611	2577290	2667818	0921218	1267492
	FWH2980	2577266	2667866	0921266	1267502
31	FWH3168	2577243	2667843	0921243	1267483
	FWH31611	2577291	2667819	0921219	1267493
	FWH3180	2577267	2667867	0921267	1267503
41	FWH4168	2577350	2667802	0921210	1267484
	FWH41611	2577351	2667803	0921211	1267494
	FWH4180	2577352	2667804	0921212	1267504
50	FWH5068	2577244	2667844	0921244	1267485
	FWH50611	2577292	2667820	0921220	1267495
	FWH5080	2577268	2667868	0921268	1267505
54	FWH54611	2577293	2667821	0921221	1267496
	FWH5468	2577245	2667845	0921245	1267486
	FWH5480	2577269	2667869	0921269	1267506
60	FWH6068	2577246	2667846	0921246	1267487
	FWH60611	2577294	2667822	0921222	1267497
	FWH6080	2577270	2667870	0921270	1267507
80	FWH8068	2577247	2667847	0921247	1267488
	FWH80611	2577295	2667823	0921223	1267498
	FWH8080	2577271	2667871	0921271	1267508
90	FWH9068	2577248	2667848	0921248	1267489
	FWH90611	2577296	2667824	0921224	1267499
	FWH9080	2577272	2667872	0921272	1267509
	FWH 10 ft	2577297	2667795	0921329	1267605

400 Series Frenchwood® Hinged Doors (1988 to Present)

2 Panel, 3 Panel, and Stationary

Frames

Extension Jamb Kit - Exterior / 6 9/16" Wall					
Unit No.		White	Terratone®	Sandtone	Forest Green
21	FWH2168	2577344	2667805	0921292	1267510
	FWH21611	2577345	2667806	0921293	1267520
	FWH2180	2577346	2667807	0921294	1267530
27	FWH2768	2577249	2667849	0921249	1267511
	FWH27611	2577441	2667825	0921225	1267521
	FWH2780	2577273	2667873	0921273	1267531
29	FWH2968	2577250	2667850	0921250	1267512
	FWH29611	2577442	2667826	0921226	1267522
	FWH2980	2577274	2667874	0921274	1267532
31	FWH3168	2577251	2667851	0921251	1267513
	FWH31611	2577443	2667827	0921227	1267523
	FWH3180	2577275	2667875	0921275	1267533
41	FWH4168	2577353	2667808	0921213	1267514
	FWH41611	2577354	2667809	0921214	1267524
	FWH4180	2577355	2667810	0921215	1267534
50	FWH5068	2577252	2667852	0921252	1267515
	FWH50611	2577444	2667828	0921228	1267525
	FWH5080	2577276	2667876	0921276	1267535
54	FWH54611	2577445	2667829	0921229	1267526
	FWH5468	2577253	2667853	0921253	1267516
	FWH5480	2577277	2667877	0921277	1267536
60	FWH6068	2577254	2667854	0921254	1267517
	FWH60611	2577446	2667830	0921230	1267527
	FWH6080	2577278	2667878	0921278	1267537
80	FWH8068	2577255	2667855	0921255	1267518
	FWH80611	2577447	2667831	0921231	1267528
	FWH8080	2577279	2667879	0921279	1267538
90	FWH9068	2577256	2667856	0921256	1267519
	FWH90611	2577448	2667832	0921232	1267529
	FWH9080	2577280	2667880	0921280	1267539
	FWH 10 ft	2577298	2667796	0921330	1267606

Frames

Extension Jamb Kit - Exterior / 7 9/16" Wall					
Unit No.		White	Terratone®	Sandtone	Forest Green
21	FWH2168	2577347	2667811	0921295	1267540
	FWH21611	2577348	2667812	0921296	1267550
	FWH2180	2577349	2667813	0921297	1267560
27	FWH2768	2577257	2667857	0921257	1267541
	FWH27611	2577449	2667833	0921233	1267551
	FWH2780	2577281	2667881	0921281	1267561
29	FWH2968	2577258	2667858	0921258	1267542
	FWH29611	2577450	2667834	0921234	1267552
	FWH2980	2577282	2667882	0921282	1267562
31	FWH3168	2577259	2667859	0921259	1267543
	FWH31611	2577451	2667835	0921235	1267553
	FWH3180	2577283	2667883	0921283	1267563
41	FWH4168	2577356	2667814	0921216	1267544
	FWH41611	2577357	2667815	0921298	1267554
	FWH4180	2577358	2667816	0921299	1267564
50	FWH5068	2577260	2667860	0921260	1267545
	FWH50611	2577452	2667836	0921236	1267555
	FWH5080	2577284	2667884	0921284	1267565
54	FWH5468	2577261	2667861	0921261	1267546
	FWH54611	2577453	2667837	0921237	1267556
	FWH5480	2577285	2667885	0921285	1267566
60	FWH6068	2577262	2667862	0921262	1267547
	FWH60611	2577454	2667838	0921238	1267557
	FWH6080	2577286	2667886	0921286	1267567
80	FWH8068	2577263	2667863	0921263	1267548
	FWH80611	2577455	2667839	0921239	1267558
	FWH8080	2577287	2667887	0921287	1267568
90	FWH9068	2577264	2667864	0921264	1267549
	FWH90611	2577456	2667840	0921240	1267559
	FWH9080	2577288	2667888	0921288	1267569
	FWH 10 ft	2577299	2667797	0921331	1267607

Screw Pack - Exterior Extension Jamb	
Pack Includes: Screws, gaskets, rivets and corner locks for all 3 widths of exterior extension jambs.	Part No. 9069019

400 Series Frenchwood® Hinged Doors (1988 to Present)

2 Panel, 3 Panel, and Stationary

Frames

Extension Jamb Covers

Extension Jamb Cover - Head / 5 1/4" Wall				
Unit No.	White	Terratone®	Sandtone	Forest Green
FWH21	2578796	2668390	0924338	1267437
FWH27	2578757	2668457	0924447	1267438
FWH29	2578758	2668458	0924448	1267439
FWH31	2578759	2668459	0924449	1267440
FWH41	2578799	2668391	0924407	1267441
FWH50	2578760	2668460	0924450	1267442
FWH54	2578761	2668461	0924451	1267443
FWH60	2578762	2668462	0924452	1267444

Extension Jamb Cover - Head / 6 9/16" Wall				
Unit No.	White	Terratone®	Sandtone	Forest Green
FWH21	2578797	2668392	0924339	1267445
FWH27	2578763	2668463	0924453	1267446
FWH29	2578764	2668464	0924454	1267447
FWH31	2578765	2668465	0924455	1267448
FWH41	2578803	2668393	0924409	1267449
FWH50	2578766	2668466	0924456	1267450
FWH54	2578767	2668467	0924457	1267451
FWH60	2578768	2668468	0924458	1267452

Extension Jamb Cover - Head / 7 9/16" Wall				
Unit No.	White	Terratone®	Sandtone	Forest Green
FWH21	2578798	2668394	0924495	1267453
FWH27	2578769	2668469	0924459	1267454
FWH29	2578770	2668470	0924460	1267455
FWH31	2578771	2668471	0924461	1267456
FWH41	2578805	2668395	0924413	1267457
FWH50	2578772	2668472	0924462	1267458
FWH54	2578773	2668473	0924463	1267459
FWH60	2578774	2668474	0924464	1267460

Extension Jamb Covers - Side 5 1/4" Wall								
Unit No.	White		Terratone®		Sandtone		Forest Green	
	Left	Right	Left	Right	Left	Right	Left	Right
FWH68	2578775	2578776	2668475	2668476	0924465	0924466	1267461	1267462
FWH611	2578787	2578788	2668491	2668492	0924489	0924490	1267463	1267464
FWH80	2578777	2578778	2668477	2668478	0924467	0924468	1267465	1267466

Frames

Extension Jamb Covers - Side 6 9/16" Wall								
Unit No.	White		Terratone®		Sandtone		Forest Green	
	Left	Right	Left	Right	Left	Right	Left	Right
FWH68	2578779	2578780	2668479	2668480	0924469	0924470	1267467	1267468
FWH611	2578789	2578790	2668493	2668494	0924491	0924492	1267469	1267470
FWH80	2578781	2578782	2668481	2668482	0924471	0924472	1267471	1267472

Extension Jamb Covers - Side 7 9/16" Wall								
Unit No.	White		Terratone®		Sandtone		Forest Green	
	Left	Right	Left	Right	Left	Right	Left	Right
FWH68	2578783	2578784	2668483	2668484	0924473	0924474	1267473	1267474
FWH611	2578791	2578792	2668495	2668496	0924493	0924494	1267475	1267476
FWH80	2578785	2578786	2668485	2668486	0924475	0924476	1267477	1267478

Extension Jamb Strike Extender

Note:
 Located in the hardware section [page 158](#)

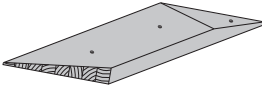
Sill Ramp Parts

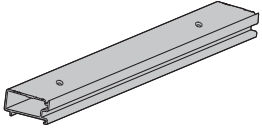
Sill Ramp Insert Kits				
Kit Includes: Exterior ramp, center ramp, track cover, interior ramp and fasteners. See Accessory Guide 0004392 .				
	Unit No.	Type	Maple	Oak
	FWH27/29	—	2572190	2572160
	FWH31	—	2572191	2572161
	FWH41	AP/PA	2572193	2572155
	FWH50	AS/SA	2572190	2572160
	FWH50	AP/PA	2572194	2572163
	FWH60	AS/SA	2572191	2572161
	FWH60	AP/PA	2572195	2572164
	FWH80	SAS	2572190	2572160
	FWH90	SAS	2572191	2572161

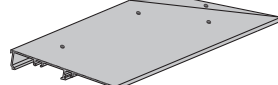
400 Series Frenchwood® Hinged Doors (1988 to Present)

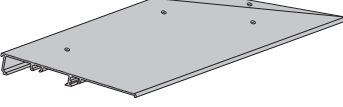
2 Panel, 3 Panel, and Stationary

Frames

Sill Ramp Insert - Interior				
	Unit No.	Type	Maple	Oak
	FWH27/29	—	2572197	2572166
	FWH31	—	2572198	2572167
	FWH41	AP/PA	2572201	2572156
	FWH50	AS/SA	2572197	2572169
	FWH50	AP/PA	2572202	2572169
	FWH60	AP/PA	2572203	2572170
	FWH60	AS/SA	2572198	2572167
	FWH80	SAS	2572197	2572166
	FWH90	SAS	2572198	2572167

Sill Ramp Insert - Center			
	Unit No.	Type	Order No.
	FWH27/29	—	2572178
	FWH31	—	2572179
	FWH41	AP/PA	2572158
	FWH50	AP/PA	2572181
	FWH60	AP/PA	2572182

Sill Ramp Insert - Exterior				
	Unit No.	Type	Order No.	
	FWH27/29/50	—	2572172	
	FWH31	—	2572173	
	FWH50	AP/PA	2572175	
	FWH60	AP/PA	2572176	
	FWH41	AP/PA	2572157	

Sill Ramp Insert - Track Cover				
	Unit No.	Type	Order No.	
	FWH27/29	—	2572184	
	FWH31	—	2572185	
	FWH50	AP/PA	2572187	
	FWH60	AP/PA	2572188	
	FWH41	AP/PA	2572159	

Frames

Frame Parts

Astragal Weatherstrip - Foam/Neoprene Sponge / Gray		
		Head AP/PA
		2579566
Astragal Weatherstrip Plug - Sill		
	Note: Use with old drainage channel with zinc lock/astragal combination.	Order No.
		2579485

Threshold with Screws				
	Unit No.	Length	Maple	Oak
	29/30/33	40	1207056	1207010
	40/43	52	1207057	1207020
	50	63	1207058	1207025
	510/60	74	1207059	1207030
	8	98	1207060	1207040
	9	111	1207061	1207045
	100/4	120	1207062	1207048
	12	145	1207063	1207050
	160/4	193	1207064	1207055

Screw Package - Threshold / 3/4		
	Package includes: 3 screws	Order No. 1277102
Screw Package - Threshold / 5/6		
	Package includes: 5 screws	Order No. 1277104
Screw Package - Threshold / 8/9		
	Package includes: 7 screws	Order No. 1277106
Screw Package - Threshold / 10/12		
	Package includes: 9 screws	Order No. 1277108
Screw Package - Threshold / 15		
	Package includes: 13 screws	Order No. 1277110

400 Series Frenchwood® Hinged Doors (1988 to Present)

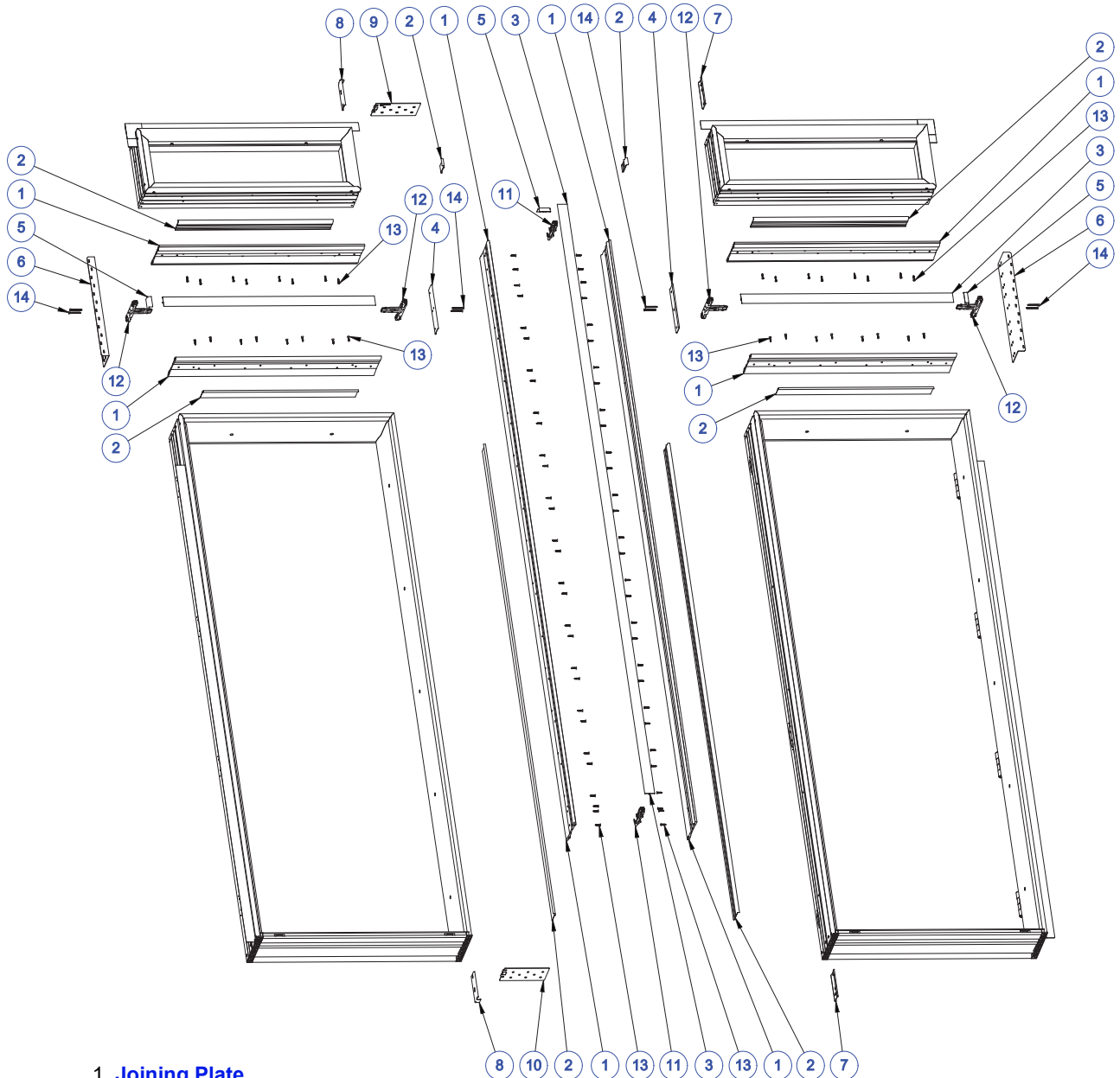
2 Panel, 3 Panel, and Stationary

Joining Components

Fiberglass Joining Exploded View

Note:

See (1-Way, 1-Way Assembly in Opening and 2-Way) [Joining Guide 9180250](#).



- | | | |
|---|--|--|
| 1. Joining Plate | 7. Fixed Bracket | 11. End Plug |
| 2. Joining Plate Alignment Spacer | 8. Slide Bracket | 12. Locking/Sealing Plug |
| 3. Exterior Trim Strip | 9. Flat Side Gusset (A) | 13. 7/8" Screw |
| 4. Intersection Bracket | 10. Flat Side Gusset (B) | 14. 2" Screw |
| 5. End Cap | | |
| 6. Gusset Plate | | |

Joining Components

Fiberglass Joining Kits										
Joining Kits - FGL / 4 9/16"										
Kit Includes: (2) Joining Plate (2) Alignment Spacer (1) Exterior Trim Strip (length dimension shown) (2) Flange Gusset 18" (1) Hardware Kit (1) Sealant										
Color	Size									
	31	33	60	64	68	611	80	100	104	120
	Length									
	35 ²⁷ / ₃₂	37 ¹⁹ / ₃₂	71	74 ³ / ₄	79 ¹ / ₄	82 ¹ / ₈	95 ¹ / ₄	119 ¹ / ₄	123 ¹ / ₄	143 ³ / ₄
White	9179836	9179837	9179838	9179839	9179840	9179841	9179842	9179843	9179844	9179845
Terratone®	9179826	9179827	9179828	9179829	9179830	9179831	9179832	9179833	9179834	9179835
Sandtone	9179816	9179817	9179818	9179819	9179820	9179821	9179822	9179823	9179824	9179825
Forest Green	9179786	9179787	9179788	9179789	9179790	9179791	9179792	9179793	9179794	9179795
Canvas	9179746	9179747	9179748	9179749	9179750	9179751	9179752	9179753	9179754	9179755
Black	9179736	9179737	9179738	9179739	9179740	9179741	9179742	9179743	9179744	9179745
Dark Bronze	9179766	9179767	9179768	9179769	9179770	9179771	9179772	9179773	9179774	9179775

Joining Kits - FGL / 6 9/16"				
Kit Includes: (2) Joining Plate (2) Alignment Spacer (1) Exterior Trim Strip (length dimension shown) (2) Flange Gusset 18" (1) Hardware Kit (1) Sealant		Color	Size	
			Length	
			104	140
			123 ¹ / ₄	167 ³ / ₄
		White	9179866	9179867
		Terratone®	9179864	9179865
		Sandtone	9179862	9179863
		Forest Green	9179856	9179857
		Canvas	9179848	9179849
		Black	9179846	9179847
		Dark Bronze	9179854	9179855

400 Series Frenchwood® Hinged Doors (1988 to Present)

2 Panel, 3 Panel, and Stationary

Joining Components

Fiberglass Joining Hardware Kits

Hardware Kit - FGL Joining

Kit Includes:

- (1) Intersection Bracket
- (2) Fixed Bracket
- (2) Slide Bracket
- (1) Flat Side Gusset Type A
- (1) Flat Side Gusset Type B
- (2) Locking/Sealing Plug
- (2) End Plug
- (2) End Cap
- (18) Screw 10-16 x 2
- (52) Screw 10-12 x 7/8
- (1) Gasket

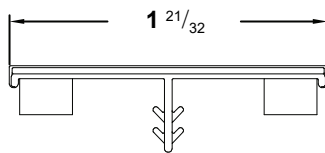
Color**Order No.**

White	9180115
Terratone®	9180114
Sandtone	9180113
Forest Green	9180110
Canvas	9180107
Prairie Grass	9180111
Cocoa Bean	9180106
Dove Grey	9180108
Red Rock	9180112
Black	9179999
Dark Bronze	9180109

Joining Components

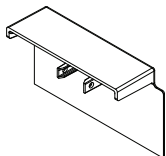
Fiberglass Joining Kit Components

Trim Strip - FGL



Color	Size										
	31	33	60	64	68	611	80	100	104	120	120
	Length										
	35 ²⁷ / ₃₂	37 ²⁷ / ₃₂	71	74 ³ / ₄	79 ¹ / ₄	82 ¹ / ₈	94 ¹ / ₄	119 ¹ / ₄	123 ¹ / ₄	143 ³ / ₄	167 ³ / ₄
White	9179978	9179979	9179980	9179981	9180159	9180160	9180161	9180162	9179982	9179983	9179984
Terratone®	9179971	9179972	9179973	9179974	9180155	9180156	9180157	9180158	9179975	9179976	9179977
Sandtone	9179964	9179965	9179966	9179967	9180151	9180152	9180153	9180154	9179968	9179969	9179970
Forest Green	9179935	9179936	9179937	9179938	9180147	9180148	9180149	9180150	9179939	9179940	9179941
Canvas	9179899	9179900	9179901	9179902	9180139	9180140	9180141	9180142	9179903	9179904	9179905
Prairie Grass	9179942	9179943	9179944	9179945	9179946	9179947	9179948	9179949	9179950	9179951	9179952
Cocoa Bean	9179906	9179907	9179908	9179909	9179910	9179911	9179912	9179913	9179914	9179915	9179916
Dove Grey	9179917	9179918	9179919	9179920	9179921	9179922	9179923	9179924	9179925	9179926	9179927
Red Rock	9179953	9179954	9179955	9179956	9179957	9179958	9179959	9179960	9179961	9179962	9179963
Black	9179891	9179892	9179893	9179894	9180136	9180137	9180138	9179895	9179896	9179897	9179898
Dark Bronze	9179928	9179929	9179930	9179931	9180143	9180144	9180145	9180146	9179932	9179933	9179934

End Cap - FGL

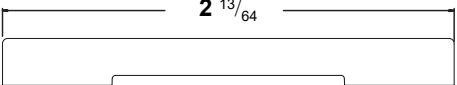


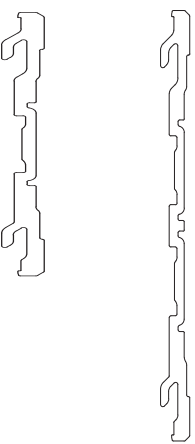
Color	Order No.
White	9043111
Terratone	9043119
Sandtone	9043110
Forest Green	9043118
Canvas	9043112
Prairie Grass	9043117
Cocoa Bean	9043116
Dove Grey	9043113
Red Rock	9043114
Black	9043115
Dark Bronze	9043120

400 Series Frenchwood® Hinged Doors (1988 to Present)

2 Panel, 3 Panel, and Stationary

Joining Components

Inside Casing - 2 1/8"										
										
Finish	96"			120"						
	Pine	Maple	Oak	Pine	Maple	Oak	Cherry	Mahogany	Douglas Fir	Alder
Unfinished	9067316	9064335	9064417	9068749	9068751	9068750	9140911	9140912	9140910	9140913
White	9013179	9055406	9040761	9013180	9040762	9055403	-	-	-	-
Clear Coat	9013183	9013187	9013185	9013184	9013188	9013186	-	-	-	-
Cinnamon	9013207	9013211	9013209	9013208	9013212	9013210	-	-	-	-
Mocha	9013195	9013199	9013197	9013196	9013200	9013198	-	-	-	-
Primed	9013181	9055407	9040763	9013182	9040764	9055404	-	-	-	-
Honey	9013201	9013205	9013203	9013202	9013206	9013204	-	-	-	-
Russet	9013189	9013193	9013191	9013190	9013194	9013192	-	-	-	-
Espresso	9013215	9013219	9013217	9013216	9013220	9013218	-	-	-	-
Birch Bark (Bright White)	9013213	9055408	9040765	9013214	9040766	9055405	-	-	-	-

Joining Plate - FGL					
Note: Need two per mull. Cut to fit joining plates 1 1/2" shorter than the overall mull length or width.					
		Depth 4 9/16	Size	Length	Order No.
			31	34 19/32	9179868
			33	36 19/32	9179869
			60	69 3/4	9179870
			64	73 1/2	9179871
			68	78	9179872
			611	80 7/8	9179873
			80	94	9179874
			100	118	9179875
			104	122	9179876
		120	142 1/2	9179877	
		6 9/16	100	118	9179878
			140	166 1/2	9179879

Joining Components

Joining Plate Alignment Spacer - FGL				
Note: Need one per unit jamb that is to be joined. Required length: Join dimension - 1 1/2"				
		Size	Length	Order No.
		31	26 3/32	9179880
		33	28 3/32	9179881
		60	61 1/4	9179882
		64	65	9179883
		68	69 1/2	9179884
		611	72 3/8	9179885
		80	85 1/2	9179886
		100	109 1/2	9179887
		104	113 1/2	9179888
		120	134	9179889
		140	158	9179890

Intersection Bracket - FGL		
		Order No.
		9152243


Gusset Plate - FGL / 18"			
Note: Need two per join. Required length: Join dimension - 1 1/2"			
<p>Flanged Flat</p>		Type	Order No.
		Flat	9179993
		Flanged	9179994

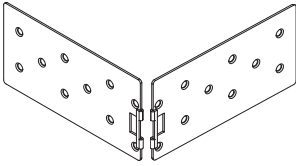
Fixed Bracket - FGL		
		Order No.
		9179997

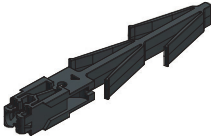
400 Series Frenchwood® Hinged Doors (1988 to Present)


2 Panel, 3 Panel, and Stationary

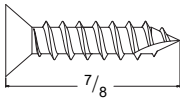
Joining Components

Slide Bracket - FGL		
		Order No.
		9179998

Flat Slide Gusset - FGL			
 Type A Type B		Type	Order No.
		A	9179995
		B	9179996

End Plug - FGL		
		Order No.
		9179992

Locking/Sealing Plug - FGL		
		Order No.
		9177451

Screw Package - 7/8" FGL Screw			
Package Includes:			
(52) Fasteners 10-16 x 7/8" PH FL Type 17			
 7/8		Qty	Order No.
		52	9159384

Screw Package - 2" FGL Screw			
		Qty	Order No.
		18	9017654

Joining Components

Narrow Mull Joining Kits

Narrow Mullion Joining Kit with Joining Strip

Note:

Dimensions shown for outside trim strip.

Kit Includes:

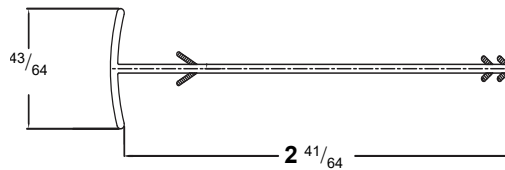
- (8) Screws, PH FL STL Z-Y-D #10-12 X 1-3/4 type 17
- (12) Screws, self-drilling #8-18 x 2-3/8 PH bugle HD #2 blk
- (18) Screws, PH FL STL Z-Y #10-12 X 1 type 17
- (2) End plates
- (1) Sill support bar
- (2) OS narrow mull flashing
- (1) Aluminum joining strip
- (1) Outside trim strip

Unit No.	Dimensions	White	Terratone®	Sandtone	Forest Green
FWH31	35 ²⁷ / ₃₂	2510110	2666314	0900401	1267826
FWH68	79 ¹ / ₄	2576302	2666302	0921202	1267753
FWH611	82 ¹ / ₈	2576303	2666303	0921203	1267754
FWH80	95 ¹ / ₄	2576304	2666304	0921204	1267755
FWH 10 ft	120	2510111	2666313	0900407	1267811

Narrow Mullion Casing - Interior

Unit No.	Dimensions	Pine	Maple	Oak	Interior White
FWH68/611/80	96	2579720	2579736	2579733	2579717
FWH10 ft	120	2579887	2579889	2579888	2579890

Narrow Mullion Trim Strip - Outside / Vinyl



Unit No.	Dimensions	White	Terratone®	Sandtone	Forest Green
FWH68	79 ¹ / ₄	2579702	2668702	0924702	1267807
FWH611	82 ¹ / ₈	2579703	2668703	0924703	1267808
FWH80	95 ¹ / ₄	2579704	2668704	0924704	1267809
FWH10 ft	120	2579705	2668705	0924705	1267810

Narrow Mullion Joining Strip - Aluminum

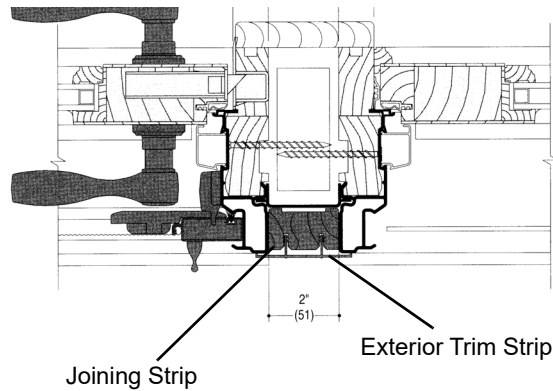
Unit No.	Dimensions	Order No.	Unit No.	Dimensions	Order No.
FWH68	78	2579994	FWH80	94	2579996
FWH611	80 ⁷ / ₈	2579995	FWH10 ft	116	2579997

400 Series Frenchwood® Hinged Doors (1988 to Present)

2 Panel, 3 Panel, and Stationary

Joining Components

Support Mull Joining Kits



Frenchwood® Hinged Door Support Mullion

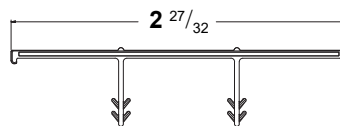
Support Mullion Joining Kit

Kit Includes:

Outside vinyl trim strip, filler, flashing. Dimensions shown for outside trim strip.

Unit No.	Dimensions	White	Terratone®	Sandtone	Forest Green
FWH68	79 ³ / ₈	2576306	2666306	0921206	1267762
FWH611	82 ¹ / ₄	2576307	2666307	0921207	1267763
FWH80	95 ³ / ₈	2576308	2666308	0921208	1267764

Support Mullion Trim Strip - Outside

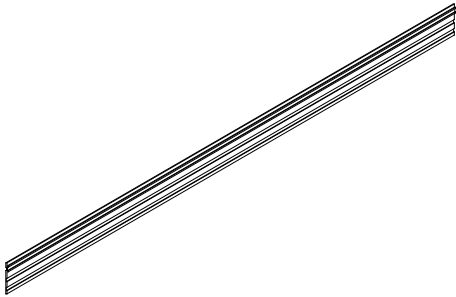


Unit No.	Dimensions	White	Terratone®	Sandtone	Forest Green
FWH68	79 ³ / ₈	2579706	2668706	0924706	1267804
FWH611	82 ¹ / ₄	2579707	2668707	0924707	1267805
FWH80	95 ³ / ₈	2579708	2668708	0924708	1267806

Support Mullion Filler Strip

	Unit No.	Dimensions	Order No.
	FWH68	79 ³ / ₈	2579714
	FWH611	82 ¹ / ₄	2579715
	FWH80	95 ³ / ₈	2579716

Joining Components

Aluminum Reinforced Joining Kit Components				
Extension Jamb Kit - Exterior				
	Note:	Unit No.	Dimension	Order No.
	<p>Kit has an aluminum joining strip. Used when joining a Frenchwood Hinged unit with an exterior extension jamb/double screen track is applied to a Flexiframe transom unit.</p>	<p>FWH80</p>	<p>79 1/2</p>	<p>2579701</p>

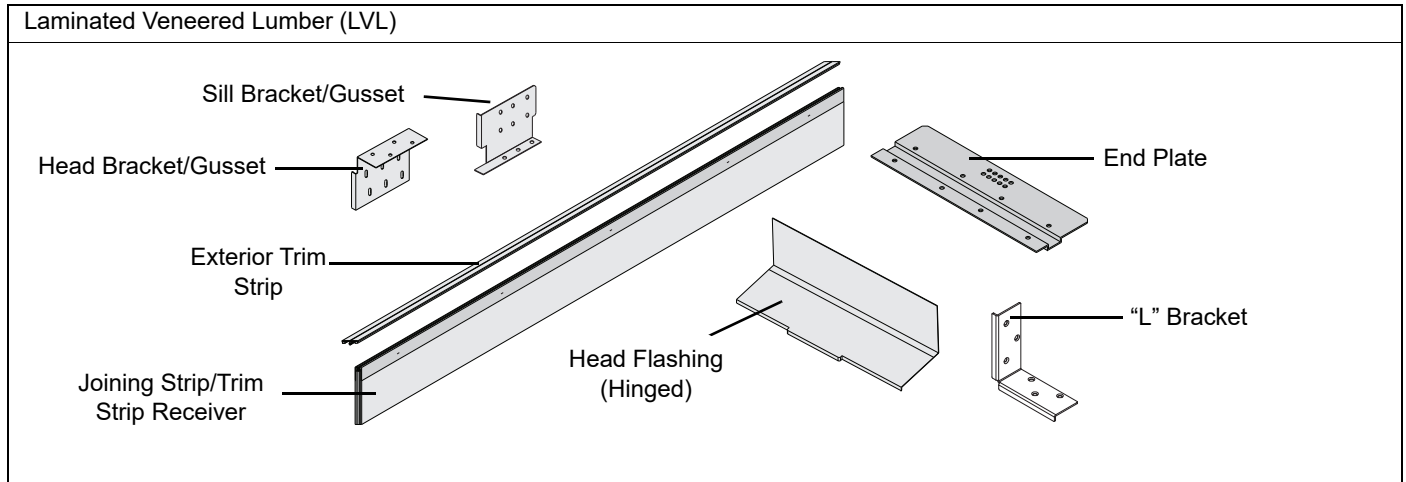
400 Series Frenchwood® Hinged Doors (1988 to Present)

2 Panel, 3 Panel, and Stationary

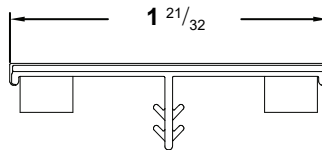
Joining Components

Vintage LVL Joining Kit Components

Note: Laminated Veneered Lumber (LVL) joining system was replaced by Easy Connect Joining System (ECJS) in July 2019. Some kits and component parts are unavailable.



Trim Strip - 3/4" LVL / Exterior



Unit No.	Dimensions	White	Terratone®	Sandtone	Forest Green
FWH68	79 $\frac{1}{4}$	2573492	2640743	0903750	1262848
FWH611	82 $\frac{1}{8}$	2573496	2640744	0903751	1262849
FWH80	95 $\frac{1}{4}$	2573488	2640745	0903752	1262850
FWH10 ft	117 $\frac{13}{16}$	2510101	2640746	0903753	1262851

Joining Components

Joining Flashing - 3/4" LVL		
	Finish	Order No.
	White	2573484
	Terratone®	2640727
	Sandtone	0903517
	Forest Green	1252809

Inside Casing - 3/4" LVL / 2 3/8"			
Note:	Length	Finish	Order No.
Inside casing is not included in the LVL joining kit.	96	Pine	1916007
		Maple	1916010
		Oak	1916009
		Vinyl Wrapped PVC White	1916008

400 Series Frenchwood® Hinged Doors (1988 to Present)

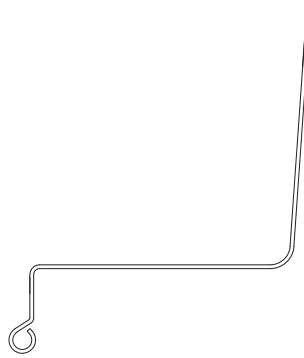
2 Panel, 3 Panel, and Stationary

Joining Components

Universal Drip Cap - Continuous

Note:

Use on side-by-side or vertical joins mulled at the factory or distributor. Consists of 24 gauge aluminum material.



	72"			120"			151 1/2"	
	Package Quantity			Package Quantity			Package Quantity	
	1	10	40	1	10	40	1	10
White	2222525	2222526	2222527	2222546	2222547	2222548	2222555	2222556
Terratone®	2222528	2222529	NA	2222549	2222550	NA	2222557	2222558
Sandtone	2222530	2222531	NA	2222551	2222552	NA	2222559	2222560
Forest Green	2222532	2222533	NA	2222553	2222554	NA	2222561	2222562
Canvas	9003116	9003117	NA	9003126	9003127	NA	9003130	9003131

Art Glass Components

Art Glass Stops				
Art Glass Trim Stop- Head/Sill				
		Unit No.	Length	Order No.
		AG FWH21	12 ²¹ / ₃₂	2370167
		AG FWH27	18 ⁹ / ₃₂	2370169
		AG FWH29	20 ⁹ / ₃₂	2370171
		AG FWH31	24 ⁹ / ₃₂	2370173

Art Glass Trim Stop - Side				
		Unit No.	Length	Order No.
		AG FWH68	65 ⁷ / ₁₆	2370184
		AG FWH611	68 ⁵ / ₁₆	2370179
		AG FWH80	81 ⁷ / ₁₆	2370185

Art Glass Hardware				
Bracket Package with Shims and Screws - Art Glass / Top and Bottom				
	Package includes: (6) Upper brackets (3) Lower brackets shims fasteners		Unit No.	Order No.
			AG FWD	2370019
Bracket with Screws - Art Glass / Top				
	Package includes: (2) upper brackets fasteners		Unit No.	Order No.
			AG FWD	2370024
Screw - Art Glass / Head Package				
	Package includes: (11) 1" brass trim screws			Order No.
				2370026
Screw - Art Glass / Sill Stop Package				
	Package includes: (11) 9/16" brass trim screws		Unit No.	Order No.
			FWD/PSC	2370029

400 Series Frenchwood® Hinged Doors (1988 to Present)

Stormwatch® Protection (Coastal Product)

Note:

Andersen® windows and doors with Stormwatch® protection are designed for use in coastal areas. They feature design pressure upgrades, glass options, and structural enhancements. The parts listed in this section are exclusive to the Stormwatch® line.

Parts shared with standard doors are listed in the standard product pages of the section.

Panels - Active

Panel - Active / Single (Impact Resistant)

Panels - Active / Single / High-Performance™ Low-E4® Tempered (Impact Resistant)

Note:

High-Performance™ Tempered Active Panels are available with the following finishes:

Interior: Pine, Maple, Oak and interior White

Exterior: White, Terratone®, Sandtone, and Forest Green.

Order by description.

Panels - Active / Single / High-Performance™ Low-E4® Sun II Tempered (Impact Resistant)

Note:

High-Performance™ Sun II Tempered Active Panels are available with the following finishes:

Interior: Pine, Maple, Oak and interior White

Exterior: White, Terratone®, Sandtone, and Forest Green.

Order by description.

Panels - Active / Single / High-Performance™ Low-E4® Sun 3 Tempered (Impact Resistant)

Note:

High-Performance™ Sun 3 Tempered Active Panels are available with the following finishes:

Interior: Pine, Maple, Oak and interior White

Exterior: White, Terratone®, Sandtone, and Forest Green.

Order by description.

Panels - Active / Single / Laminated Monolithic

Note:

Laminated Monolithic Active Panels are available in Gray and Clear. Order by description.

Panel - Active / Double / AP (Impact Resistant)

Panels - Active / Double / AP / High-Performance™ Low-E4® Tempered (Impact Resistant)

Note:

High-Performance™ Tempered Active Panels are available with the following finishes:

Interior: Pine, Maple, Oak and interior White

Exterior: White, Terratone®, Sandtone, and Forest Green.

Order by description, specifying unit size as well.

Panels - Active

Panels - Active / Double / AP / High-Performance™ Low-E4® Sun 3 Tempered (Impact Resistant)

Note:

High-Performance™ Sun 3 Tempered Active Panels are available with the following finishes:
 Interior: Pine, Maple, Oak and interior White.
 Exterior: White, Terratone®, Sandtone, and Forest Green.
 Order by description, specifying unit size as well.

Panels - Active / Double / AP / High-Performance™ Sun II Tempered (Impact Resistant)

Note:

High-Performance™ Sun II Tempered Active Panels are available with the following finishes:
 Interior: Pine, Maple, Oak and interior White.
 Exterior: White, Terratone®, Sandtone, and Forest Green.
 Order by description, specifying unit size as well.

Panels - Active / Double / AP / Laminated Monolithic

Note:

Laminated Monolithic Active Panels are available in Gray and Clear. Order by description, specifying unit size as well.

Panel - Active / Double / PA (Impact Resistant)

Panels - Active / Double / PA / High-Performance™ Low-E4® Tempered (Impact Resistant)

Note:

High-Performance™ Tempered Active Panels are available with the following finishes:
 Interior: Pine, Maple, Oak and interior White.
 Exterior: White, Terratone®, Sandtone, and Forest Green.
 Order by description, specifying unit size as well.

Panels - Active / Double / PA / High-Performance™ Low-E4® Sun 3 Tempered (Impact Resistant)

Note:

High-Performance™ Sun 3 Tempered Active Panels are available with the following finishes:
 Interior: Pine, Maple, Oak and interior White.
 Exterior: White, Terratone®, Sandtone, and Forest Green.
 Order by description, specifying unit size as well.

Panels - Active / Double / PA / High-Performance™ Sun II Tempered (Impact Resistant)

Note:

High-Performance™ Sun II Tempered Active Panels are available with the following finishes:
 Interior: Pine, Maple, Oak and interior White.
 Exterior: White, Terratone®, Sandtone, and Forest Green.
 Order by description, specifying unit size as well.

Panels - Active / Double / PA / Laminated Monolithic

Note:

Laminated Monolithic Active Panels are available in Gray and Clear. Order by description, specifying unit size as well.

400 Series Frenchwood® Hinged Doors (1988 to Present)

Stormwatch® Protection (Coastal Product)

Panels - Passive

Panel - Passive

Panels - Passive / High-Performance™ Low-E4® Tempered (Impact Resistant)

Note:

High-Performance™ Tempered Passive Panels are available with the following finishes:

Interior: Pine, Maple, Oak and interior White.

Exterior: White, Terratone®, Sandtone, and Forest Green.

Order by description, specifying unit size as well.

Panels - Passive / Laminated Monolithic

Note:

Laminated Monolithic Passive Panels are available in Gray and Clear. Order by description, specifying unit size as well.

Panels - Passive / High-Performance™ Sun II Tempered (Impact Resistant)

Note:

High-Performance™ Sun II Tempered Passive Panels are available in Pine, Maple, Oak and interior White are available. Order by description, specifying unit size as well.

Panels - Passive / High-Performance™ Low-E4® Sun 3 Tempered (Impact Resistant)

Note:

High-Performance™ Sun 3 Tempered Passive Panels are available in Pine, Maple, Oak and interior White are available. Order by description, specifying unit size as well.

Panels - Passive

Panel Astragal - Stainless Steel (Impact Resistant)

Note:

Astragal comes complete with transition plates and screws.

Panel Astragal - Pine

Unit No.	Length	Pine Interior/ White Exterior		Pine Interior/ Terratone® Exterior		Pine Interior/ Sandtone Exterior		Pine Interior/ Forest Green Exterior	
		AP	PA	AP	PA	AP	PA	AP	PA
FWH68	74 ¹³ / ₃₂	2563080	2563081	2664282	2664283	0914182	0914183	1208682	1208683
FWH611	77 ⁹ / ₃₂	2563082	2563083	2664284	2664285	0914184	0914185	1208684	1208685
FWH80	90 ¹³ / ₃₂	2563084	2563085	2664286	2664287	0914186	0914187	1208686	1208687

Panel Astragal - Maple

Unit No.	Length	Maple Interior/ White Exterior		Maple Interior/ Terratone® Exterior		Maple Interior/ Sandtone Exterior		Maple Interior/ Forest Green Exterior	
		AP	PA	AP	PA	AP	PA	AP	PA
FWH68	74 ¹³ / ₃₂	2563086	2563087	2664288	2664289	0914188	0914189	1208688	1208689
FWH611	77 ⁹ / ₃₂	2563088	2563089	2664290	2664291	0914190	0914191	1208690	1208691
FWH80	90 ¹³ / ₃₂	2563090	2563091	2664292	2664293	0914192	0914193	1208692	1208693

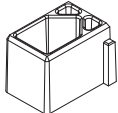
Panel Astragal - Oak

Unit No.	Length	Oak Interior/ White Exterior		Oak Interior/ Terratone® Exterior		Oak Interior/ Sandtone Exterior		Oak Interior/ Forest Green Exterior	
		AP	PA	AP	PA	AP	PA	7	PA
FWH68	74 ¹³ / ₃₂	2563092	2563093	2664294	2664295	0914194	0914195	1208694	1208695
FWH611	77 ⁹ / ₃₂	2563094	2563095	2664296	2664297	0914196	0914197	1208696	1208697
FWH80	90 ¹³ / ₃₂	2563096	2563097	2664298	2664299	0914198	0914199	1208698	1208699

Panel Astragal - Interior White

Unit No.	Length	White Interior / White Exterior	
		AP	PA
FWH68	74 ¹³ / ₃₂	2563098	2563099
FWH611	77 ⁹ / ₃₂	2563101	2563102
FWH80	90 ¹³ / ₃₂	2563103	2563104

Astragal Plug

	Order No.
	9013253

400 Series Frenchwood® Hinged Doors (1988 to Present)

Panels - Stationary

Panel - Stationary (Impact Resistant)

Panels - Stationary / High-Performance™ Low-E4® Tempered (Impact Resistant)

Note:

High-Performance™ Tempered Stationary Panels are available with the following finishes:

Interior: Pine, Maple, Oak and interior White.

Exterior: White, Terratone®, Sandtone, and Forest Green.

Order by description.

Panels - Stationary / Laminated Monolithic

Note:

Laminated Monolithic Stationary Panels are available in Gray and Clear. Order by description.

Panels - Stationary / High-Performance™ Sun II Tempered (Impact Resistant)

Note:

High-Performance™ Sun II Tempered Stationary Panels are available in Pine, Maple, Oak and interior White are available. Order by description.

Panels - Stationary / High-Performance™ Low-E4® Sun 3 Tempered (Impact Resistant)

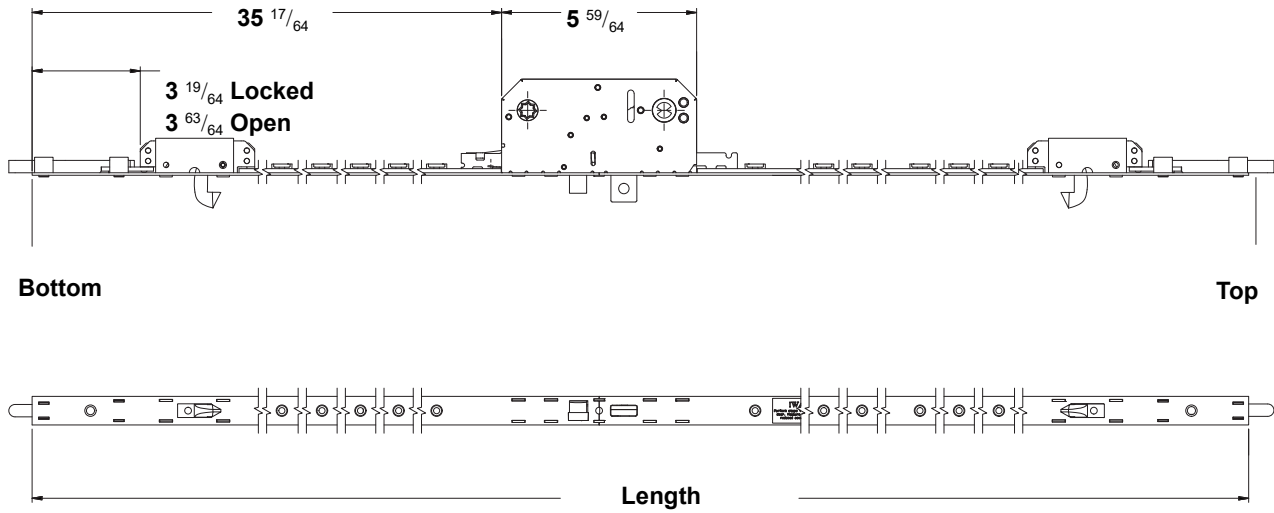
Note:

High-Performance™ Sun 3 Tempered Stationary Panels are available in Pine, Maple, Oak and interior White are available. Order by description.

Hardware

Lock Mechanism (Impact Resistant)

Lock Mechanism - 5-point / Active / Stainless Steel (Impact Resistant)



Note:

The 5-point active lock mechanism is used on double active Stormwatch™ (AP/PA) units. Passive lock mechanism used on double active Stormwatch™ (AP/PA) units is the standard passive lock mechanism on [page 142](#). Single active Stormwatch units use the standard 3-point active lock mechanism on [page 141](#).

Unit No.	Length	Order No.
FWH68	76 ²⁷ / ₆₄	2579774
FWH611	79 ¹⁹ / ₆₄	2579775
FWH80	92 ²⁷ / ₆₄	2579776

400 Series Frenchwood® Hinged Doors (1988 to Present)

Frames

Complete Sill Assembly (Impact Resistant)

Note:

Replace with A-Series frame.

Head Jamb Assembly (Impact Resistant)

Note:

Replace with A-Series frame.

Side Jamb Assembly (Impact Resistant)

Note:

Replace with A-Series frame.

Sill Components (Impact Resistant)

Sill Step with Screws - Oak

	Unit No.	Length	Oak	Unit No.	Type	Length	Oak
	FWH21	22 ⁷/₁₆	2573711	FWH41	AP/PA	45 ³¹ / ₃₂	2573715
	FWH27	28 ¹/₁₆	2573712	FWH50	AP/PA	57 ⁷ / ₃₂	2573716
	FWH29	30 ¹/₁₆	2573713	FWH54	AP/PA	61 ⁷ / ₃₂	2573717
	FWH31	34 ¹/₁₆	2573714	FWH60	AP/PA	69 ⁷ / ₃₂	2573718

Notes

Service Replacement

Service Replacement Only Parts

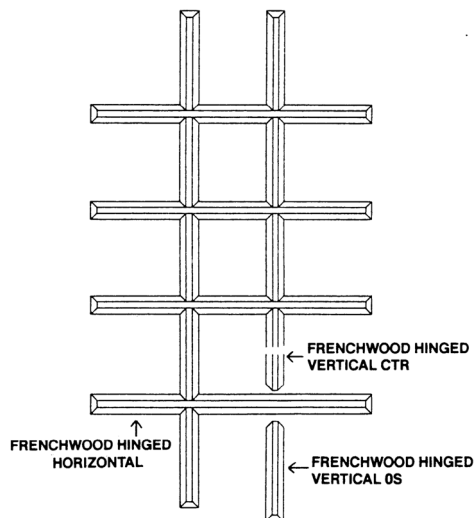
Service Replacement Only Parts

Note:

This section is specifically designed for parts that should only be ordered if a Territory Service Manager/Service Provider Company has requested them to be ordered or if the customer agrees to also pay for a non-warranty repair/replace service job (subject to availability) for these parts to be installed. We do not recommend anyone other than a trained AW employee or Service Provider install these parts due to the complexity of installation, modifications required for installation and/or requirement of special tools.

Service Replacement Only Parts

Exterior Grilles



Frenchwood® Hinged Door Exterior Grilles

Exterior Grille Kit - Colonial / 7/8" / Flat Profile / LDN

	Unit No.	Forest Green	Unit No.	Forest Green	Unit No.	Forest Green
	FWH2168	1267592	FWH21611	1267596	FWH2180	1267601
	FWH2768	1267593	FWH27611	1267597	FWH2780	1267602
	FWH2968	1267594	FWH29611	1267598	FWH2980	1267603
	FWH3168	1267595	FWH31611	1267599	FWH3180	1267604

Exterior Grilles - Colonial / 7/8" / Vertical Center

Note:

7/8" Exterior Colonial Grilles - Vertical Center in White and Terratone® are not available.

	Unit No.	Dimensions	Sandtone
	FWH68	12 ¹³ / ₃₂	0924808
	FWH611	12 ⁶³ / ₆₄	0924809
	FWH80	12 ²⁹ / ₃₂	0924810

Exterior Grilles - Colonial / 7/8" / Vertical Outside

Note:

7/8" Exterior Colonial Grilles - Vertical Outside in White and Terratone® are not available.

	Unit No.	Dimensions	Sandtone
	FWH68	12 ⁹ / ₆₄	0924812
	FWH611	12 ²³ / ₃₂	0924813
	FWH80	12 ⁴⁵ / ₆₄	0924814

400 Series Frenchwood® Hinged Doors (1988 to Present)

Service Replacement

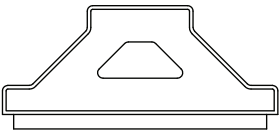
Service Replacement Only Parts

Exterior Grilles - High Definition (HDN)

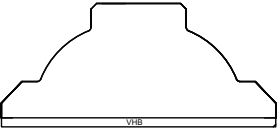
Note:

Permanently applied grilles can only be ordered by Andersen Territory Service Representatives, Andersen Service Dealers and Providers.

Exterior Grilles - Taped / Chamfer A / 96"

	Width/ Length	2 1/4"	1 1/8"	7/8"	3/4"
		96"	96"	96"	96"
	White	1284332	1284331	1284330	1284329
	Terratone®	9011974	9011973	9011972	9011971
	Sandtone	1284328	1284327	1284326	1284325
	Forest Green	9011970	9011969	9011968	9011967
Canvas	1284360	1284359	1284358	1284357	

Exterior Grille - HDN / Lineal / PVC

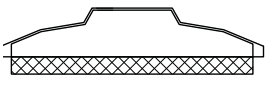
	Width/ Length	2 1/4"		1 1/8"		7/8"		3/4"	
		60"	84"	60"	84"	60"	84"	60"	84"
	White	NA	2322038	2322039	2322034	2322035	2322030	2322031	2322031
	Terratone®	NA	N/A	N/A	N/A	N/A	N/A	N/A	N/A
	Sandtone	NA	N/A	N/A	N/A	N/A	N/A	N/A	N/A

Exterior Grilles - Low Definition (LDN)

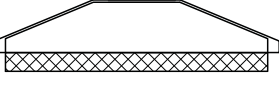
Note:

Permanently applied grilles can only be ordered by Andersen Territory Service Representatives, Andersen Service Dealers and Providers.

Exterior Grille - Ribbed Profile (March 17, 1997 to 2004)

	Width/ Length	2 1/4"	1 1/8"	7/8"	3/4"
		72"	72"	72"	72"
	White	N/A	2322120	2322116	2322111
	Terratone®	N/A	2322121	N/A	
	Sandtone	N/A	2322122	N/A	
Forest Green	N/A	2322123	N/A		

Exterior Grille - Flat Profile (1990 to March 17, 1997)

	Width/ Length	2 1/4"	1 1/8"	7/8"	3/4"
		72"	72"	72"	72"
	White	N/A	N/A	2322115	2322110
	Terratone®	N/A	N/A	2322117	2322112
	Sandtone	N/A	N/A	2322118	2322113
Forest Green	N/A	N/A	2322119	2322114	

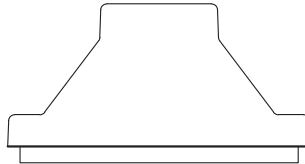
Service Replacement Only Parts



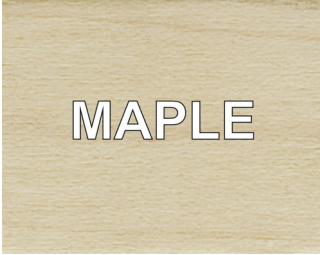
Interior Grilles - High Definition (HDN)

Interior Grilles - Taped / Chamfer A

Note:

Permanently applied grilles can only be ordered by Andersen Territory Service Representatives, Andersen Service Dealers and Providers. Contact your local [Andersen Service Provider](#). ✂



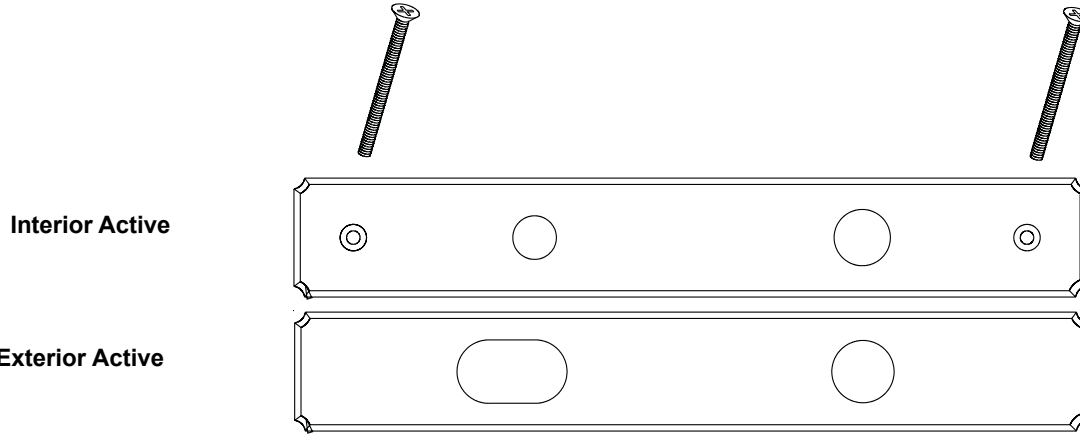
	Length	Pine			
		3/4"	7/8"	1 1/8"	2 1/4"
	22"	2321131	2321136	2321141	2321146
	34"	2321132	2321137	2321142	2321147
	44"	2321133	2321138	2321143	2321148
	60"	2321134	2321139	2321144	2321149
	84"	2321135	2321140	2321145	2321150
	Length	Oak			
		3/4"	7/8"	1 1/8"	2 1/4"
	22"	2321111	2321116	2321121	2321126
	34"	2321112	2321117	2321122	2321127
	44"	2321113	2321118	2321123	2321128
	60"	2321114	2321119	2321124	2321129
	84"	2321115	2321120	2321125	2321130
	Length	Maple			
		3/4"	7/8"	1 1/8"	2 1/4"
	22"	2321010	2321015	2321020	2321025
	34"	2321011	2321016	2321021	2321026
	44"	2321012	2321017	2321022	2321027
	60"	2321013	2321018	2321023	2321028
	84"	2321014	2321019	2321024	2321029

400 Series Frenchwood® Hinged Doors (1988 to Present)

Service Replacement

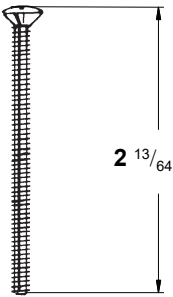
Service Replacement Only Parts

Estate™ Escutcheon Plates / Active / Passive (1988 to 1999)



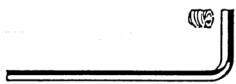
Note: Use the current vintage Newbury® hardware set as replacement page 114 . Current Antique Brass finish may not match previous vintages of Antique Brass.	Finish	Active	Passive
	Bright Brass	NA	NA
	Chrome		
	Antique Brass		

Bolt - Escutcheon Plate (1988 to 1995)



Note: 56 millimeters is approximately 2 13/64"	Finish	Size	Order No.
	Antique Brass	56MM x 4MM	2579626
	Bright Brass	56MM x 4MM	2579520

Set Screw Package - Handle (1990 to 1999)




Package includes: (1) 6 mm screw set (silver) (1) Allen wrench Current handle set screw package is on page 137	Silver
	2579538



Set Screw Package - Handle (Prior to 1990)



Package includes: (1) 5 mm screw set (black) (1) Allen wrench	Black
	2579541

Service Replacement Only Parts

Shims		
Gasket Shim		
	Length	Order No.
	48"	8286001
Hinge Shim		
		Order No.
		2579730

Sill Drainage Channel				
Note: Increases the performance of single (AL/AR) and active/stationary (i.e. SAR/ASL/SASR) FWH doors.				
Sill Drainage Channel - Single Doors				
		Unit No.	Gray	
		FWH27	2578613	
		FWH29	2578614	
		FWH31	2578615	
Sill Drainage Channel - 2 Panel (1990 to 2003)				
		Unit No.	Type	Gray
		FWH41	AP/PA	2578609
		FWH50	AP/PA	2578610
		FWH54	AP/PA	2578611
		FWH60	AP/PA	2578612

Service Guides		
Note: For use by trained Andersen Service Providers .		
Astragal		
	Description	Guide No.
	AP/PA Replacement	005
	Transition Plate Replacement	007
Hardware		
	Description	Guide No.
	Active Lock Mechanism Replacement	008
	Passive Lock Mechanism Replacement	009