

<b>What's in This Section</b>
-------------------------------

<b>Single Panel, 2-Panel, and Stationary Panel</b> .....	<b>Page 5</b>
<b>Parts Illustration</b> .....	<b>5</b>
Parts Illustration - Single Panel .....	5
Parts Illustration - 2-Panel .....	6
<b>Unit Sizes</b> .....	<b>7</b>
Standard and Custom Door Sizes .....	7
400 Series Product Label .....	7
Unit Size Chart - 68 Height .....	8
Unit Size Chart - 611 Height .....	9
Unit Size Chart - 80 Height .....	10
Panel Replacement Reference .....	11
<b>Product History</b> .....	<b>12</b>
Milestones .....	12
<b>Panels - Active</b> .....	<b>13</b>
Active Panel Graphic .....	13
Active Panel Size Table .....	15
Active Panels / Single Doors .....	16
Active Panels / Double Doors (AP) .....	19
Active Panels / Double Doors (PA) .....	23
<b>Panels - Passive</b> .....	<b>27</b>
Passive Panel Graphic .....	27
Passive Panel Size Table .....	28
Passive Panels .....	28
Panel Astragal Kit (AP) - Passive / Stainless Steel Hardware (2003 - 2016) .....	33
Panel Astragal Kit (PA) - Passive / Stainless Steel Hardware (2003 - 2016) .....	34
Panel Astragal (AP) - Passive / Zinc Dichromate Hardware (1998 - 2003) .....	35
Panel Astragal (PA) - Passive / Zinc Dichromate Hardware (1998 - 2003) .....	35
Passive Panel Hardware .....	36
<b>Panels - Stationary</b> .....	<b>37</b>
Stationary Panel Graphic .....	37
Stationary Panel Size Table .....	38
Stationary Panels .....	38
Stationary Panel Clips .....	42
<b>Shared Panel Parts</b> .....	<b>43</b>
Water Bars .....	43
Weatherstrip - Gasket .....	43
Panel Glazing Stops .....	43

<b>Insect Screens</b> .....	<b>44</b>
Insect Screens / Retractable / (2007 - 2016) .....	44
Insect Screens Parts / Retractable / (2007 - 2016) .....	45
Insect Screens / Retractable / (5/2003 - 5/2007) .....	53
Insect Screen Parts / Retractable / (5/2003 - 5/2007) .....	53
Insect Screens / Retractable / (1999 - 4/2003) .....	57
<b>Grilles</b> .....	<b>58</b>
Interior Grilles - Custom .....	58
Interior Grilles - Colonial / 7/8" Wood / Natural Interior .....	58
Interior Grilles - Colonial / 7/8" Wood / Prefinished Interior .....	60
Interior Grilles - Prairie A / 7/8" Wood / Natural Interior .....	61
Interior Grilles - Prairie A / 7/8" Wood / Prefinished Interior .....	63
Interior Grille Parts .....	64
<b>Hardware</b> .....	<b>65</b>
Half Trim Set Kits - Interior .....	65
Half Trim Set Kits - Exterior .....	66
Construction Trim Set .....	67
Hardware - Tribeca® .....	68
Hardware - Anvers® .....	72
Hardware - Albany .....	75
Hardware - Newbury® .....	78
Hardware - Covington™ .....	82
Hardware - Whitmore® .....	85
Hardware - Encino® .....	89
Hardware - Yuma® .....	92
Shared Trim Set Parts .....	95
Lock Mechanisms / Current .....	97
Hook / Flush / Latch Bolt Replacement Reference / Current .....	100
Hook Bolt Parts / Current .....	101
Flush Bolt Parts / Current .....	101
Latch Bolt Parts / Current .....	101
Key Lock Parts / Current .....	102
Hinge Parts / Current .....	104
Miscellaneous Hardware Parts .....	105
Fasteners .....	106
<b>Frames</b> .....	<b>108</b>
Frames Assembly .....	108
Sill Components .....	109
Installation Flanges .....	110
Installation Kits .....	110
Panel Stops .....	111
Extension Jambs .....	112
Miscellaneous Frame Parts .....	113

<b>Joining Components</b> .....	<b>114</b>
Narrow Mull Joining Kits .....	114
Support Mull Joining Kits .....	115
LVL Joining Kit Components - Vintage .....	116
Universal Drip Cap - Continuous .....	118
<b>Art Glass Components</b> .....	<b>119</b>
Art Glass Trim Stops .....	119
Art Glass Hardware .....	119
<b>Stormwatch® Protection (Coastal Product)</b> .....	<b>Page 121</b>
<b>Panels - Active</b> .....	<b>121</b>
Panels - Active / Single Door .....	121
Panels - Active / Double Doors (AP) .....	126
Panels - Active / Double Doors (PA) .....	129
<b>Panels - Passive</b> .....	<b>133</b>
Passive Panels .....	133
<b>Panels - Stationary</b> .....	<b>136</b>
Stationary Panels .....	136
<b>Hardware</b> .....	<b>139</b>
Lock Mechanism (Impact Resistant) .....	139
Lock Hardware .....	139
<b>Stops</b> .....	<b>140</b>
Panel Stops (Impact Resistant) .....	140
<b>Service Replacement</b> .....	<b>Page 141</b>
<b>Service Replacement Only Parts</b> .....	<b>141</b>
Service Replacement Only Parts .....	141
Hardware Accessory Package - Stationary .....	141
Gasket Shim .....	141
Filler .....	142
<b>Grilles</b> .....	<b>143</b>
Exterior Grilles - High Definition (HDN) .....	143
Exterior Grilles - Low Definition (LDN) .....	143
Exterior Grilles - Colonial / 7/8" .....	144
Interior Grilles - High Definition (HDN) .....	145
<b>Hardware</b> .....	<b>146</b>
Trim Set Hardware / Vintage .....	146
Lock Mechanisms - Tapered .....	147
Lock Bolt with Cover .....	147
Hook Bolt Parts / Vintage .....	147

Flush Bolt Parts / Vintage .....	148
Latch Bolt Parts / Vintage .....	148
Hinge Parts .....	148
Miscellaneous Hardware Parts .....	149
<b>Frames .....</b>	<b>150</b>
Corner Lock - Extension Jamb .....	150
Service Guides .....	150

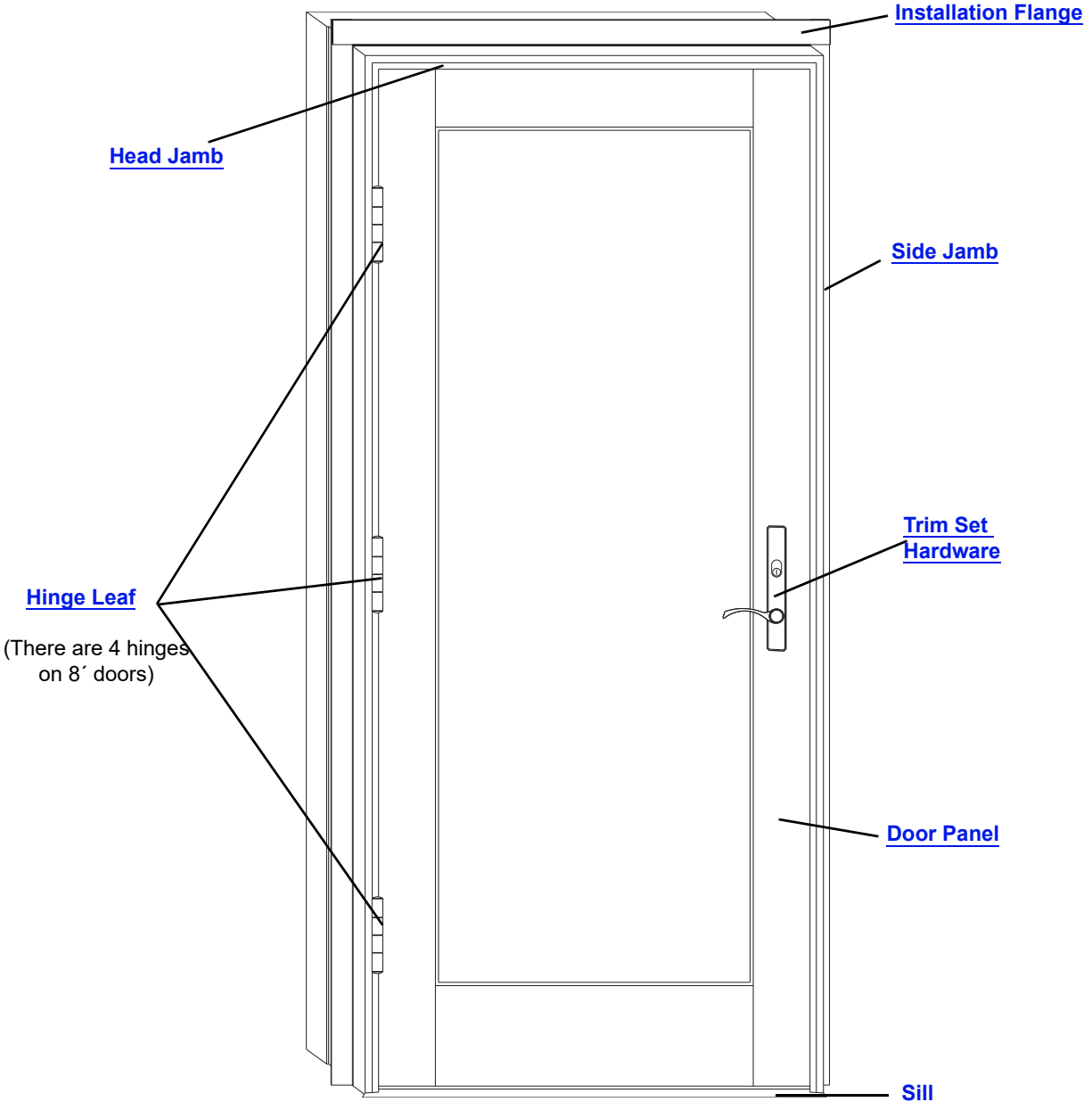
400 Series Frenchwood® Outswing Doors (1997 to 2016)

Single Panel, 2-Panel, and Stationary Panel

Parts Illustration

Parts Illustration - Single Panel

Note:  
See [Product Details](#).



Manufactured 1997 to 2016

Frenchwood Outswing Door Unit Parts - Single Panel

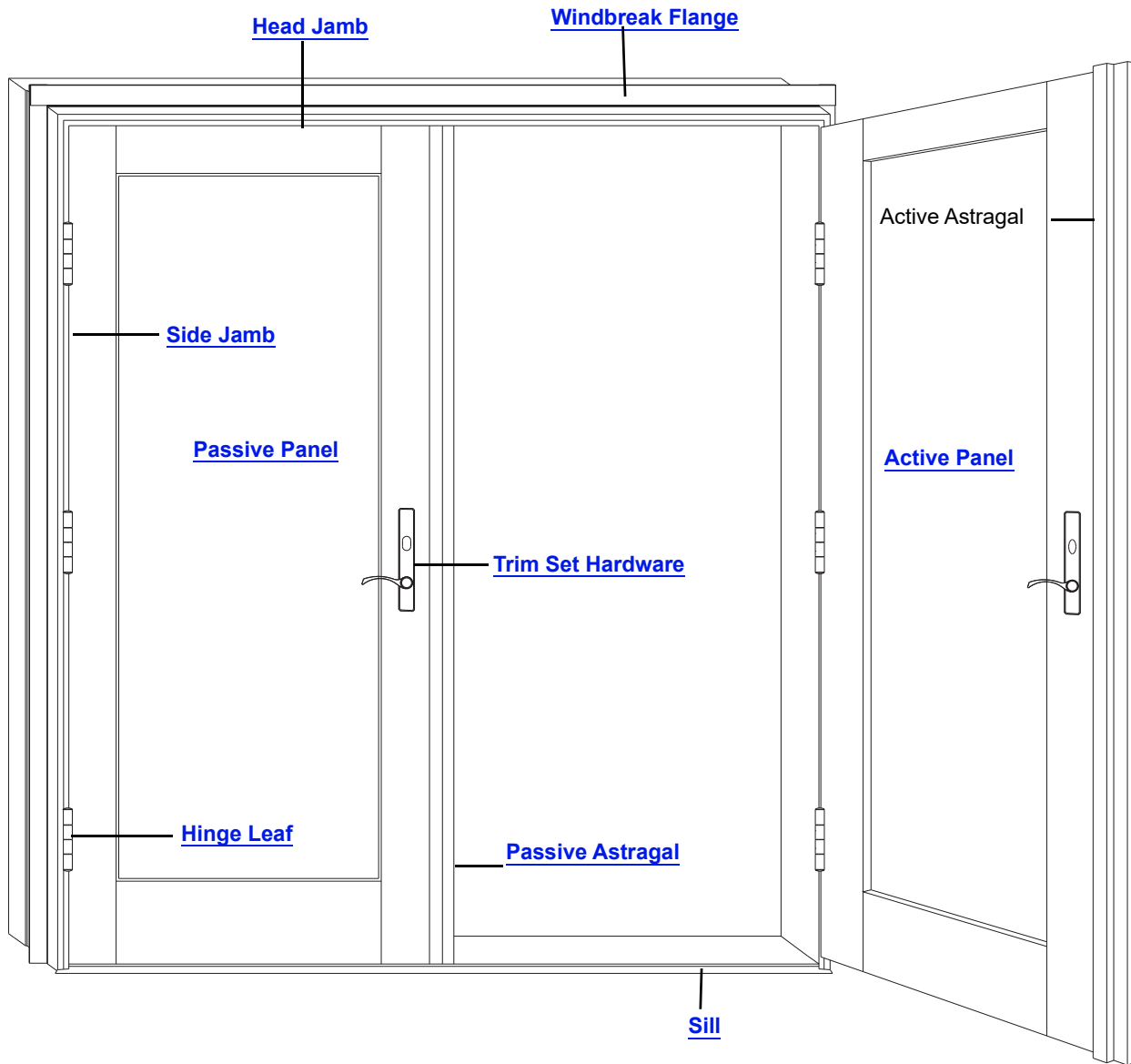
Unit viewed from exterior.

## Parts Illustration

### Parts Illustration - 2-Panel

**Note:**

8' doors have 4 hinges per side. See [Product Details](#).



Manufactured 1998 to 2016

**Frenchwood Outswing Door Unit Parts - 2-Panel Active/Passive and Passive/Active**

*Unit viewed from exterior.*

# 400 Series Frenchwood® Outswing Doors (1997 to 2016)

*Single Panel, 2-Panel, and Stationary Panel*

## Unit Sizes

### Standard and Custom Door Sizes

**Note:**

400 Series Frenchwood Outswing Doors are available in standard sizes (see standard size charts, [page 8](#)). Replacement parts for some standard doors can be ordered using the numbers listed in this catalog. Many replacement parts for standard doors are made to order. These items are ordered using the Product ID found on the identification label and a description of the part needed. See [Service Guide 9051877](#).

400 Series Frenchwood Outswing Doors are also available in custom sizes in 1/8" increments between the smallest and the largest standard sizes. Most replacement parts for custom-sized doors are made to order and can be ordered with the Product ID found on the identification label and a description of the part needed. See [Service Guide 9051877](#).

### 400 Series Product Label

**Note:**

Every 400 Series Frenchwood Outswing Door will have an identification label **or** glass etching containing a unique Product ID. The Product ID on 400 Series Frenchwood Outswing Doors will be located at the top of the door frame or etched in the glass. See [Service Guide 9051877](#). The Product ID may be up to 14 digits long (excluding hyphens), depending on the age of the unit. Replacement parts will also get their own unique Product ID. When ordering replacement parts, providing the Product ID ensures that replacement parts match the specifications.

## Unit Sizes

### Unit Size Chart - 68 Height

**Note:**

Unit Dimension refers to overall outside-to-outside frame. Unobstructed Glass refers to visible glass dimensions. Numbers in parentheses are metric measurements. See [Measuring Visible Glass Video](#). See [Product Details](#).

Unit Dimension	2'-0 <sup>1</sup> / <sub>2</sub> " (620)		4'-0" (1216)		4'-0" (1216)	
Rough Opening	2'-1" (634)		4'-1" (1242)		4'-1" (1242)	
Unobstructed Glass*	13 <sup>1</sup> / <sub>4</sub> " (336)		13 <sup>1</sup> / <sub>4</sub> " 13 <sup>1</sup> / <sub>4</sub> " (336) (336)		13 <sup>1</sup> / <sub>4</sub> " 13 <sup>1</sup> / <sub>4</sub> " (336) (336)	
	FWO 2168S		FWO 4168APLR		FWO 4168PALR	
	Grille order number. FWH2168					
Unit Dimension	2'-6 <sup>1</sup> / <sub>8</sub> " (765)	2'-6 <sup>1</sup> / <sub>8</sub> " (765)	2'-6 <sup>1</sup> / <sub>8</sub> " (765)	4'-11 <sup>1</sup> / <sub>4</sub> " (1504)	4'-11 <sup>1</sup> / <sub>4</sub> " (1504)	
Rough Opening	2'-7" (787)	2'-7" (787)	2'-7" (787)	5'-0" (1524)	5'-0" (1524)	
Unobstructed Glass*	18 <sup>7</sup> / <sub>8</sub> " (479)	18 <sup>7</sup> / <sub>8</sub> " (479)	18 <sup>7</sup> / <sub>8</sub> " (479)	18 <sup>7</sup> / <sub>8</sub> " 18 <sup>7</sup> / <sub>8</sub> " (479) (479)	18 <sup>7</sup> / <sub>8</sub> " 18 <sup>7</sup> / <sub>8</sub> " (479) (479)	
	FWO 2768AR	FWO 2768AL	FWO 2768S	FWO 5068APLR	FWO 5068PALR	
	Grille order number. FWH2768					
Unit Dimension	2'-8 <sup>1</sup> / <sub>8</sub> " (816)	2'-8 <sup>1</sup> / <sub>8</sub> " (816)	2'-8 <sup>1</sup> / <sub>8</sub> " (816)	5'-3 <sup>1</sup> / <sub>4</sub> " (1607)	5'-3 <sup>1</sup> / <sub>4</sub> " (1607)	
Rough Opening	2'-9" (838)	2'-9" (838)	2'-9" (838)	5'-4" (1626)	5'-4" (1626)	
Unobstructed Glass*	20 <sup>7</sup> / <sub>8</sub> " (530)	20 <sup>7</sup> / <sub>8</sub> " (530)	20 <sup>7</sup> / <sub>8</sub> " (530)	20 <sup>7</sup> / <sub>8</sub> " 20 <sup>7</sup> / <sub>8</sub> " (530) (530)	20 <sup>7</sup> / <sub>8</sub> " 20 <sup>7</sup> / <sub>8</sub> " (530) (530)	
	FWO 2968AR	FWO 2968AL	FWO 2968S	FWO 5468APLR	FWO 5468PALR	
	Grille order number. FWH2968					
Unit Dimension	3'-0 <sup>1</sup> / <sub>8</sub> " (918)	3'-0 <sup>1</sup> / <sub>8</sub> " (918)	3'-0 <sup>1</sup> / <sub>8</sub> " (918)	5'-11 <sup>1</sup> / <sub>4</sub> " (1810)	5'-11 <sup>1</sup> / <sub>4</sub> " (1810)	
Rough Opening	3'-1" (940)	3'-1" (940)	3'-1" (940)	6'-0" (1829)	6'-0" (1829)	
Unobstructed Glass*	24 <sup>7</sup> / <sub>8</sub> " (632)	24 <sup>7</sup> / <sub>8</sub> " (632)	24 <sup>7</sup> / <sub>8</sub> " (632)	24 <sup>7</sup> / <sub>8</sub> " 24 <sup>7</sup> / <sub>8</sub> " (632) (632)	24 <sup>7</sup> / <sub>8</sub> " 24 <sup>7</sup> / <sub>8</sub> " (632) (632)	
	FWO 3168AR	FWO 3168AL	FWO 3168S	FWO 6068APLR	FWO 6068PALR	
	Grille order number. FWH3168					

### Frenchwood Outswing Door Unit Sizes - 68 Height

Unit viewed from exterior.



# 400 Series Frenchwood® Outswing Doors (1997 to 2016)

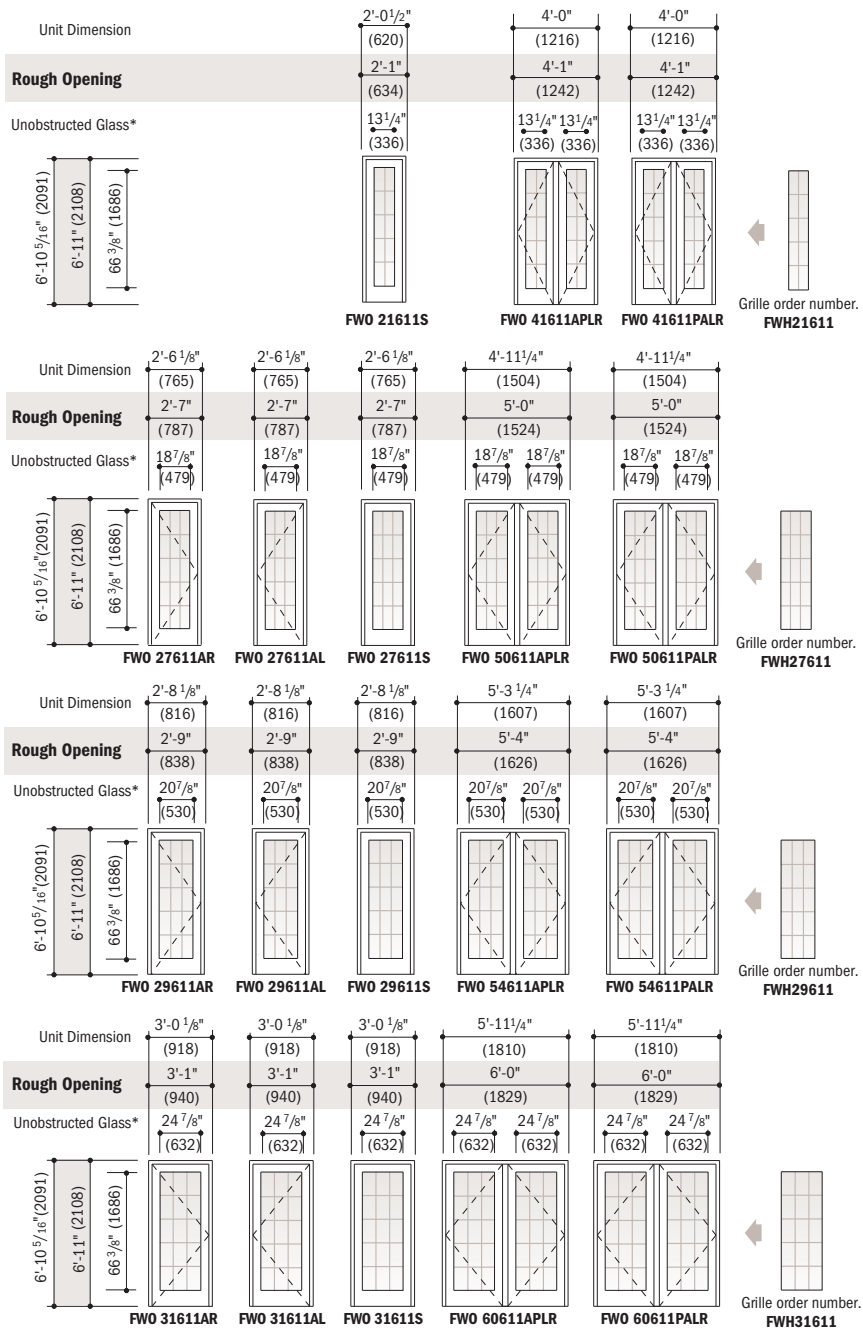
Single Panel, 2-Panel, and Stationary Panel

## Unit Sizes

### Unit Size Chart - 611 Height

**Note:**

Unit Dimension refers to overall outside-to-outside frame. Unobstructed Glass refers to visible glass dimensions. Numbers in parentheses are metric measurements. See [Measuring Visible Glass Video](#). See [Product Details](#).



### Frenchwood Outswing Door Unit Sizes - 611 Height

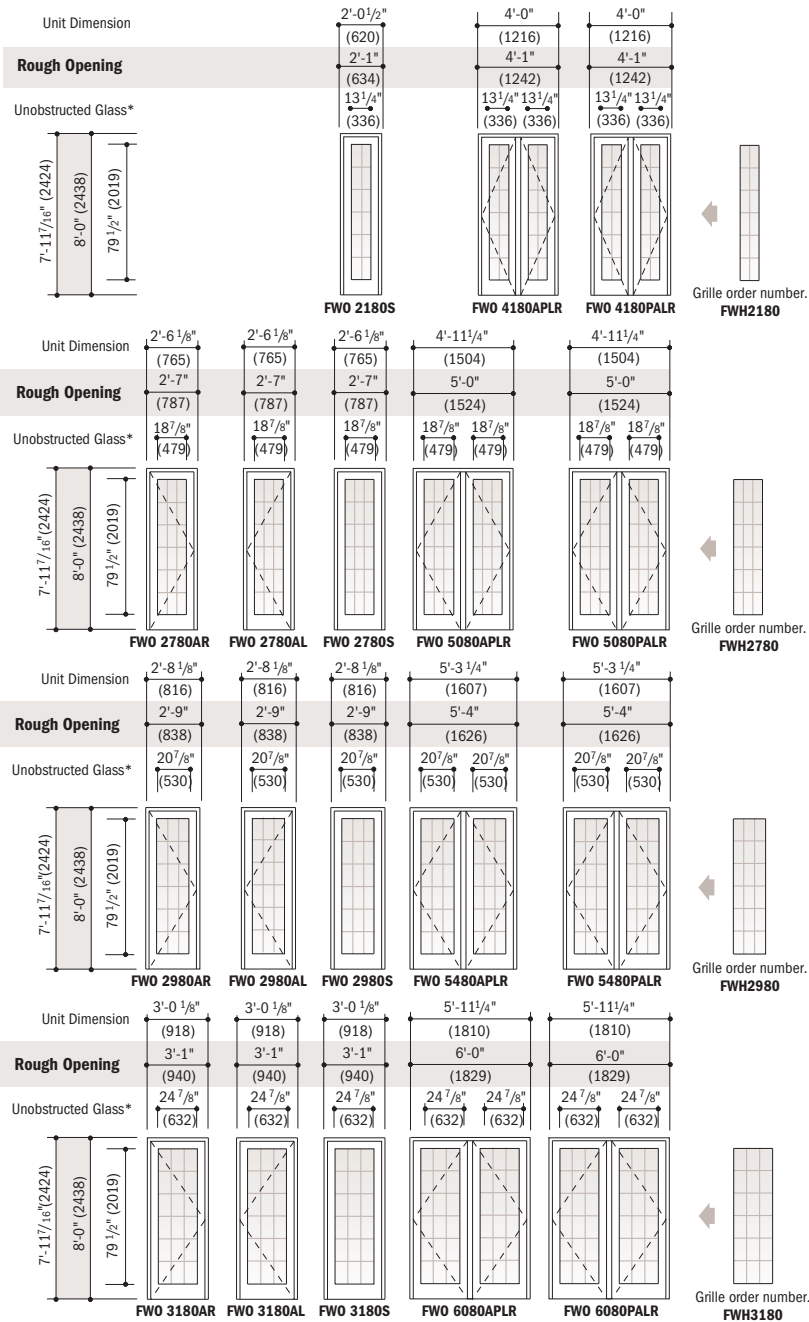
Unit viewed from exterior.

## Unit Sizes

### Unit Size Chart - 80 Height

**Note:**

Unit Dimension refers to overall outside-to-outside frame. Unobstructed Glass refers to visible glass dimensions. Numbers in parentheses are metric measurements. See [Measuring Visible Glass Video](#). See [Product Details](#).



### Frenchwood Outswing Door Unit Sizes - 80 Height

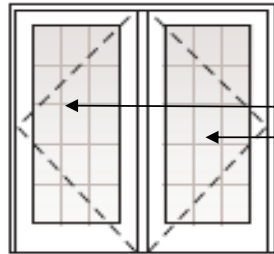
Unit viewed from exterior.

# 400 Series Frenchwood® Outswing Doors (1997 to 2016)

Single Panel, 2-Panel, and Stationary Panel

## Unit Sizes

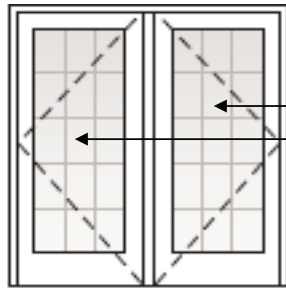
### Panel Replacement Reference



UNIT HANDING = FWOD APLR

ACTIVE REP PANEL HANDING = AP

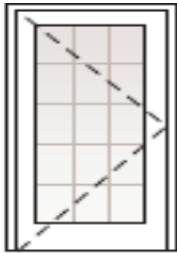
PASSIVE REP PANEL HANDING = PR



UNIT HANDING = FWOD PALR

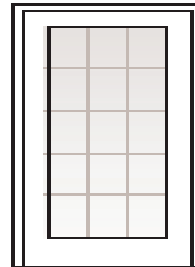
ACTIVE REP PANEL HANDING = PA

PASSIVE REP PANEL HANDING = PL



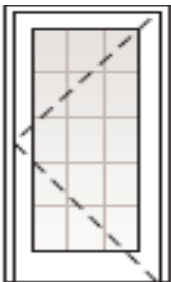
UNIT HANDING = FWODAR

REP PANEL HANDING = AR



UNIT HANDING = FWOD S

REP PANEL HANDING = S



UNIT HANDING = FWOD AL

REP PANEL HANDING = AL

## Product History

---

### Milestones

- 2012** Decommission of Andersen® 400 Series Frenchwood® Patio Doors with Stormwatch® Protection.
- 2009** Albany hardware in finishes of White, Stone, Gold Dust and Black introduced.
- 2004** Hardware finishes of Distressed Bronze and Distressed Nickel introduced.
- 2004** Hardware collections with seven hardware styles introduced
- 2003** Stormwatch™ Protection (Coastal Product) with design pressure upgrades, glass options, and structural enhancements introduced for Frenchwood Outswing and Frenchwood Hinged units.
- 2001** Forest Green introduced.
- 1999** Estate and Metro hardware introduced.
- 1997** Frenchwood Outswing Doors introduced.

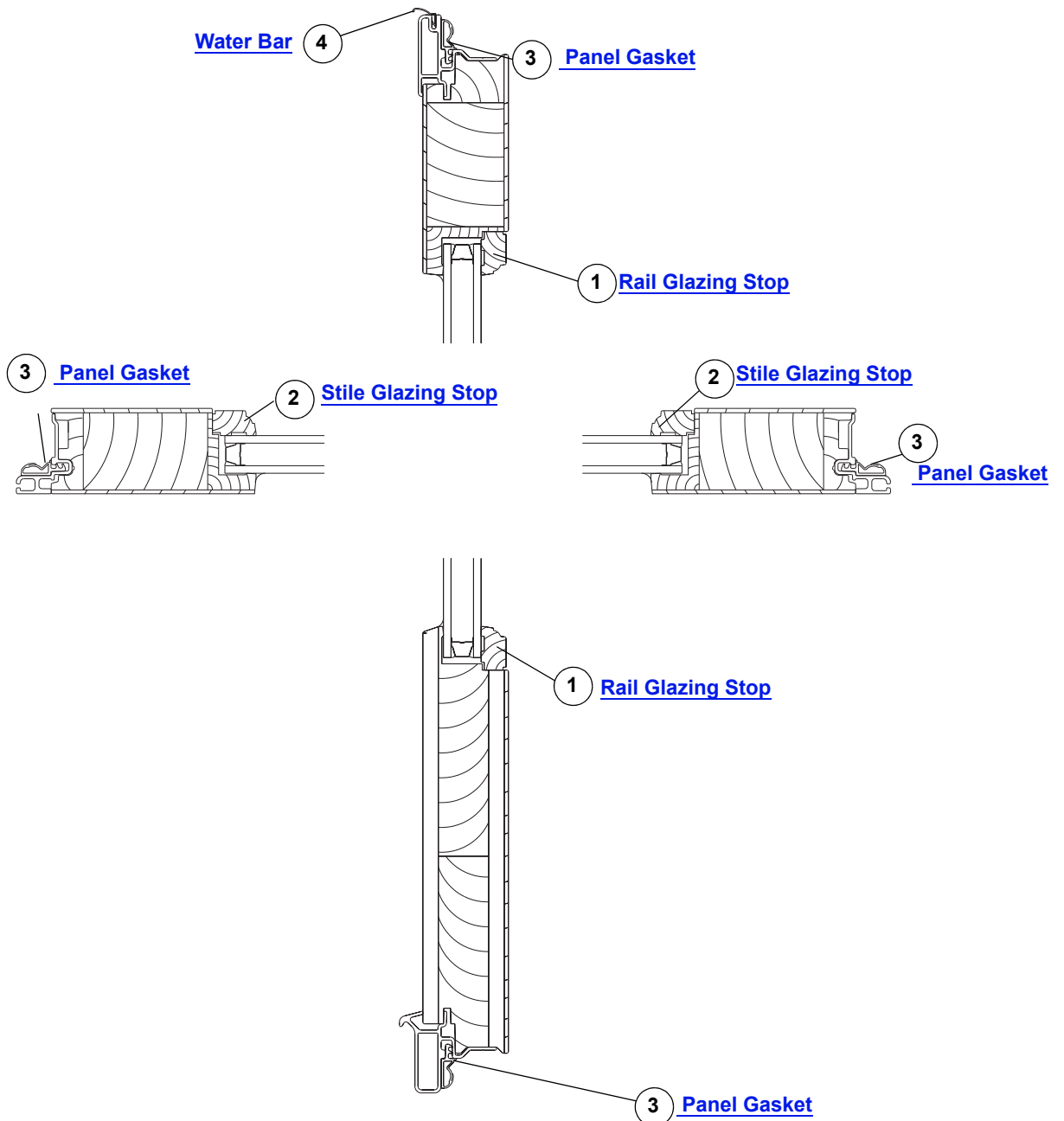
# 400 Series Frenchwood® Outswing Doors (1997 to 2016)

Single Panel, 2-Panel, and Stationary Panel

## Panels - Active

### Active Panel Graphic

Panel - Active / Single Door / AR/AL

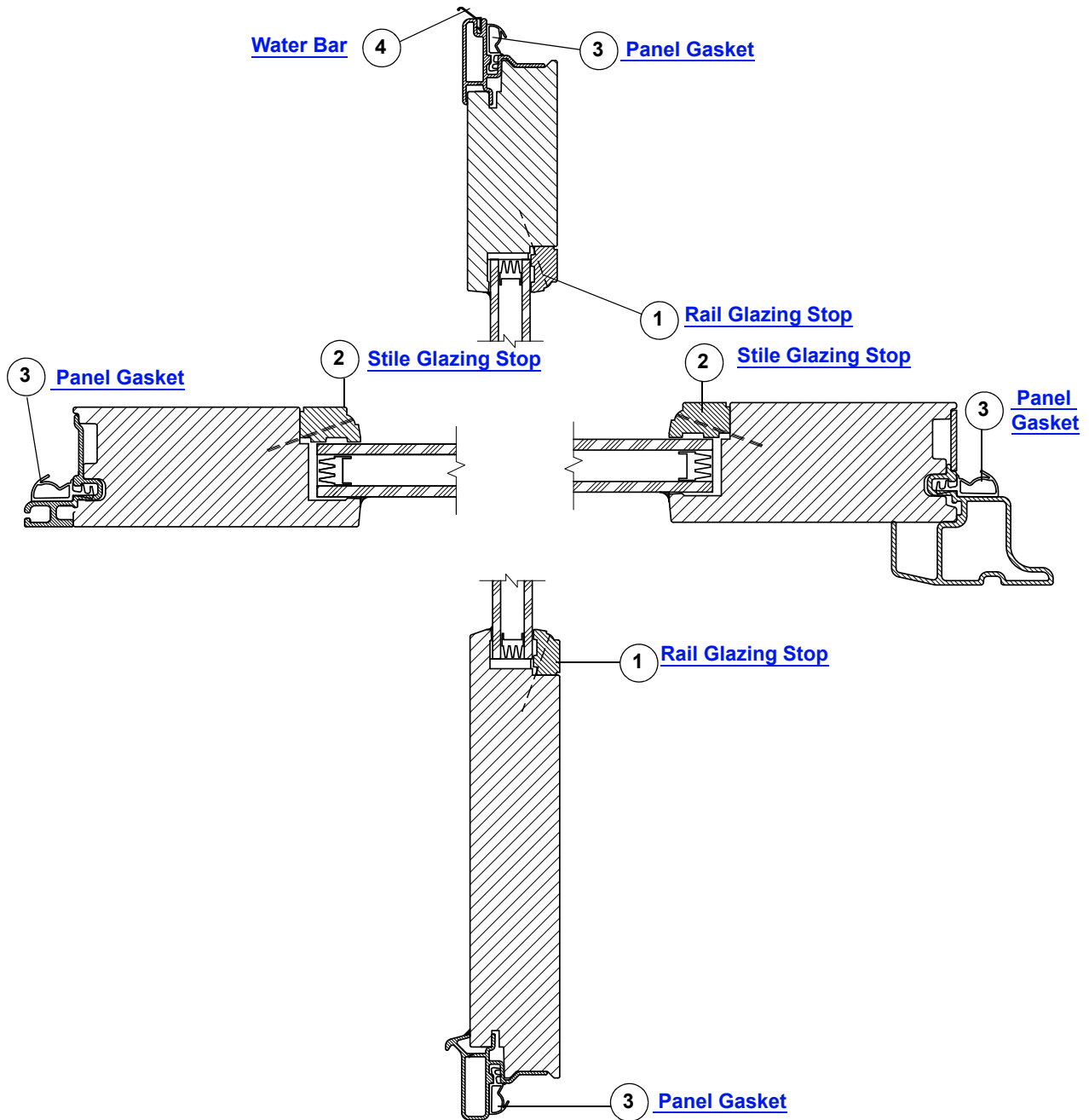


Frenchwood Outswing Door Active Panel - Single Door (AR/AL)

## Panels - Active

### Panels - Active

#### Panel - Active / Double Door / AP/PA



Frenchwood Outswing Door Active Panel - Double Door (AP/PA)

# 400 Series Frenchwood® Outswing Doors (1997 to 2016)

Single Panel, 2-Panel, and Stationary Panel

## Panels - Active

### Active Panel Size Table

**Note:**

**Active Panel** is measured outside edge to outside edge of frame.

**Unobstructed Glass** is dimension from outside edge to outside edge of visible glass only.

**Actual Glass** is dimension of outside edge to outside edge of glass, including glass that is not visible.

1" finelight profile is standard, with color matching exterior color of panel.

Maple and Oak finishes introduced in 2003.

White painted finish in 2000.

White PVC veneer wrap in 2002.

An active panel for a single door cannot be used in double (AP/PA) doors. This product is not intended to be reglazed. Panels with defective glass should be replaced.

### Size Table - Active Panel / Single Door (AR/AL)

Unit No.	Active Panel (w x h)	Unobstructed Glass (w x h)	Actual Glass (w x h)
<b>FWO2768A</b>	28 1/2 x 78 1/16	18 7/8 x 63 1/2	20 x 64 9/16
<b>FWO27611A</b>	28 1/2 x 80 15/16	18 7/8 x 66 3/8	20 x 67 9/16
<b>FWO2780A</b>	28 1/2 x 94 1/16	18 7/8 x 79 1/2	20 x 80 9/16
<b>FWO2968A</b>	30 1/2 x 78 1/16	20 7/8 x 63 1/2	22 x 64 9/16
<b>FWO29611A</b>	30 1/2 x 80 15/16	20 7/8 x 66 3/8	22 x 67 9/16
<b>FWO2980A</b>	30 1/2 x 94 1/16	20 7/8 x 79 1/2	22 x 80 9/16
<b>FWO3168A</b>	34 1/2 x 78 1/16	24 7/8 x 63 1/2	26 x 64 9/16
<b>FWO31611A</b>	34 1/2 x 80 15/16	24 7/8 x 66 3/8	26 x 67 9/16
<b>FWO3180A</b>	34 1/2 x 94 1/16	24 7/8 x 79 1/2	26 x 80 9/16

### Size Table - Active Panel / Double Door (AP/PA)

Unit No.	Active Panel (w x h)	Unobstructed Glass (w x h)	Actual Glass (w x h)
<b>FWO2168</b>	22 7/8 x 78 1/16	13 1/4 x 63 1/2	14 3/8 x 64 9/16
<b>FWO21611</b>	22 7/8 x 80 15/16	13 1/4 x 66 3/8	14 3/8 x 67 9/16
<b>FWO2180</b>	22 7/8 x 94 1/16	13 1/4 x 79 1/2	14 3/8 x 80 9/16
<b>FWO2768</b>	28 1/2 x 78 1/16	18 7/8 x 63 1/2	20 x 64 9/16
<b>FWO27611</b>	28 1/2 x 80 15/16	18 7/8 x 66 3/8	20 x 67 9/16
<b>FWO2780</b>	28 1/2 x 94 1/16	18 7/8 x 79 1/2	20 x 80 9/16
<b>FWO2968</b>	30 1/2 x 78 1/16	20 7/8 x 63 1/2	22 x 64 9/16
<b>FWO29611</b>	30 1/2 x 80 15/16	20 7/8 x 66 3/8	22 x 67 9/16
<b>FWO2980</b>	30 1/2 x 94 1/16	20 7/8 x 79 1/2	22 x 80 9/16
<b>FWO3168</b>	34 1/2 x 78 1/16	24 7/8 x 63 1/2	26 x 64 9/16
<b>FWO31611</b>	34 1/2 x 80 15/16	24 7/8 x 66 3/8	26 x 67 9/16
<b>FWO3180</b>	34 1/2 x 94 1/16	24 7/8 x 79 1/2	26 x 80 9/16

## Panels - Active

### Active Panels / Single Doors

**Note:**

Replacement panel for standard and custom-sized doors is made to order. Panel includes gasket. See [Service Guide 0005225](#).

### Panel - Active / Single Door / High-Performance-Low-E4<sup>®</sup> Tempered / Pine Interior

Unit No.	Pine Interior/ White Exterior		Pine Interior/ Terratone Exterior		Pine Interior/ Sandtone Exterior		Pine Interior/ Forest Green Exterior	
	Left	Right	Left	Right	Left	Right	Left	Right
<b>FWO2768A</b>	By description	By description	By description	By description	By description	By description	By description	By description
<b>FWO27611A</b>	By description	By description	By description	By description	By description	By description	By description	By description
<b>FWO2780A</b>	By description	By description	By description	By description	By description	By description	By description	By description
<b>FWO2968A</b>	By description	By description	By description	By description	By description	By description	By description	By description
<b>FWO29611A</b>	By description	By description	By description	By description	By description	By description	By description	By description
<b>FWO2980A</b>	By description	By description	By description	By description	By description	By description	By description	By description
<b>FWO3168A</b>	By description	By description	By description	By description	By description	By description	By description	By description
<b>FWO31611A</b>	By description	By description	By description	By description	By description	By description	By description	By description
<b>FWO3180A</b>	By description	By description	By description	By description	By description	By description	By description	By description

### Panel - Active / Single Door / High-Performance-Low-E4<sup>®</sup> Tempered / Maple Interior

Unit No.	Maple Interior/ White Exterior		Maple Interior/ Terratone Exterior		Maple Interior/ Sandtone Exterior		Maple Interior/ Forest Green Exterior	
	Left	Right	Left	Right	Left	Right	Left	Right
<b>FWO2768A</b>	By description	By description	By description	By description	By description	By description	By description	By description
<b>FWO27611A</b>	By description	By description	By description	By description	By description	By description	By description	By description
<b>FWO2780A</b>	By description	By description	By description	By description	By description	By description	By description	By description
<b>FWO2968A</b>	By description	By description	By description	By description	By description	By description	By description	By description
<b>FWO29611A</b>	By description	By description	By description	By description	By description	By description	By description	By description
<b>FWO2980A</b>	By description	By description	By description	By description	By description	By description	By description	By description
<b>FWO3168A</b>	By description	By description	By description	By description	By description	By description	By description	By description
<b>FWO31611A</b>	By description	By description	By description	By description	By description	By description	By description	By description
<b>FWO3180A</b>	By description	By description	By description	By description	By description	By description	By description	By description



## 400 Series Frenchwood® Outswing Doors (1997 to 2016)

*Single Panel, 2-Panel, and Stationary Panel*

### Panels - Active

Panel - Active / Single Door / High-Performance-Low-E4® Tempered / Oak Interior								
Unit No.	Oak Interior/ White Exterior		Oak Interior/ Terratone Exterior		Oak Interior/ Sandtone Exterior		Oak Interior/ Forest Green Exterior	
	Left	Right	Left	Right	Left	Right	Left	Right
<b>FWO2768A</b>	By description	By description	By description	By description	By description	By description	By description	By description
<b>FWO27611A</b>	By description	By description	By description	By description	By description	By description	By description	By description
<b>FWO2780A</b>	By description	By description	By description	By description	By description	By description	By description	By description
<b>FWO2968A</b>	By description	By description	By description	By description	By description	By description	By description	By description
<b>FWO29611A</b>	By description	By description	By description	By description	By description	By description	By description	By description
<b>FWO2980A</b>	By description	By description	By description	By description	By description	By description	By description	By description
<b>FWO3168A</b>	By description	By description	By description	By description	By description	By description	By description	By description
<b>FWO31611A</b>	By description	By description	By description	By description	By description	By description	By description	By description
<b>FWO3180A</b>	By description	By description	By description	By description	By description	By description	By description	By description

Panel - Active / Single Door / High-Performance-Low-E4® Tempered / Interior White			
Unit No.	White Interior / White Exterior		
	Left	Right	
<b>FWO2768A</b>	By description	By description	
<b>FWO27611A</b>	By description	By description	
<b>FWO2780A</b>	By description	By description	
<b>FWO2968A</b>	By description	By description	
<b>FWO29611A</b>	By description	By description	
<b>FWO2980A</b>	By description	By description	
<b>FWO3168A</b>	By description	By description	
<b>FWO31611A</b>	By description	By description	
<b>FWO3180A</b>	By description	By description	

Panel - Active / Single Door / High-Performance-Low-E4® Sun 3 Tempered / Pine Interior						
Unit No.	Pine Interior/ White Exterior		Pine Interior/ Terratone Exterior		Pine Interior/ Sandtone Exterior	
	Left	Right	Left	Right	Left	Right
<b>FWO2768A</b>	By description	By description	By description	By description	By description	By description
<b>FWO27611A</b>	By description	By description	By description	By description	By description	By description
<b>FWO2780A</b>	By description	By description	By description	By description	By description	By description
<b>FWO2968A</b>	By description	By description	By description	By description	By description	By description
<b>FWO29611A</b>	By description	By description	By description	By description	By description	By description
<b>FWO2980A</b>	By description	By description	By description	By description	By description	By description
<b>FWO3168A</b>	By description	By description	By description	By description	By description	By description
<b>FWO31611A</b>	By description	By description	By description	By description	By description	By description
<b>FWO3180A</b>	By description	By description	By description	By description	By description	By description

## Panels - Active

Panel - Active / Single Door / High-Performance-Low-E4® Sun 3 Tempered / Maple Interior						
Unit No.	Maple Interior/ White Exterior		Maple Interior/ Terratone Exterior		Maple Interior/ Sandtone Exterior	
	Left	Right	Left	Right	Left	Right
<b>FWO2768A</b>	By description	By description	By description	By description	By description	By description
<b>FWO27611A</b>	By description	By description	By description	By description	By description	By description
<b>FWO2780A</b>	By description	By description	By description	By description	By description	By description
<b>FWO2968A</b>	By description	By description	By description	By description	By description	By description
<b>FWO29611A</b>	By description	By description	By description	By description	By description	By description
<b>FWO2980A</b>	By description	By description	By description	By description	By description	By description
<b>FWO3168A</b>	By description	By description	By description	By description	By description	By description
<b>FWO31611A</b>	By description	By description	By description	By description	By description	By description
<b>FWO3180A</b>	By description	By description	By description	By description	By description	By description

Panel - Active / Single Door / High-Performance-Low-E4® Sun 3 Tempered / Oak Interior						
Unit No.	Oak Interior/ White Exterior		Oak Interior/ Terratone Exterior		Oak Interior/ Sandtone Exterior	
	Left	Right	Left	Right	Left	Right
<b>FWO2768A</b>	By description	By description	By description	By description	By description	By description
<b>FWO27611A</b>	By description	By description	By description	By description	By description	By description
<b>FWO2780A</b>	By description	By description	By description	By description	By description	By description
<b>FWO2968A</b>	By description	By description	By description	By description	By description	By description
<b>FWO29611A</b>	By description	By description	By description	By description	By description	By description
<b>FWO2980A</b>	By description	By description	By description	By description	By description	By description
<b>FWO3168A</b>	By description	By description	By description	By description	By description	By description
<b>FWO31611A</b>	By description	By description	By description	By description	By description	By description
<b>FWO3180A</b>	By description	By description	By description	By description	By description	By description

Panel - Active / Single Door / High-Performance-Low-E4® Sun 3 Tempered / Interior White			
Unit No.	White Interior / White Exterior		
	Left	Right	
<b>FWO2768A</b>	By description	By description	
<b>FWO27611A</b>	By description	By description	
<b>FWO2780A</b>	By description	By description	
<b>FWO2968A</b>	By description	By description	
<b>FWO29611A</b>	By description	By description	
<b>FWO2980A</b>	By description	By description	
<b>FWO3168A</b>	By description	By description	
<b>FWO31611A</b>	By description	By description	
<b>FWO3180A</b>	By description	By description	

Panel - Active / Single Door / High-Performance Sun II Tempered
<b>Note:</b> Available by description.

## 400 Series Frenchwood® Outswing Doors (1997 to 2016)

*Single Panel, 2-Panel, and Stationary Panel*

### Panels - Active

#### Active Panels / Double Doors (AP)

**Note:**

An active panel for a double door cannot be used in a single door. Panel includes gasket. See [Service Guide 0005225](#).

#### Panel with Astragal - Active / Double Door (AP) / High-Performance-Low-E4® Tempered / Pine Interior

	Unit No.	Pine Interior/ White Exterior	Pine Interior/ Terratone Exterior	Pine Interior/ Sandtone Exterior	Pine Interior/ Forest Green Exterior
	<b>FWO2168AP</b>	By description	By description	By description	By description
	<b>FWO21611AP</b>	By description	By description	By description	By description
	<b>FWO2180AP</b>	By description	By description	By description	By description
	<b>FWO2768AP</b>	By description	By description	By description	By description
	<b>FWO27611AP</b>	By description	By description	By description	By description
	<b>FWO2780AP</b>	By description	By description	By description	By description
	<b>FWO2968AP</b>	By description	By description	By description	By description
	<b>FWO29611AP</b>	By description	By description	By description	By description
	<b>FWO2980AP</b>	By description	By description	By description	By description
	<b>FWO3168AP</b>	By description	By description	By description	By description
	<b>FWO31611AP</b>	By description	By description	By description	By description
	<b>FWO3180AP</b>	By description	By description	By description	By description

#### Panel with Astragal - Active / Double Door (AP) / High-Performance-Low-E4® Tempered / Maple Interior

**Note:**

Available by description.

#### Panel with Astragal - Active / Double Door (AP) / High-Performance-Low-E4® Tempered / Oak Interior

	Unit No.	Oak Interior/ White Exterior	Oak Interior/ Terratone Exterior	Oak Interior/ Sandtone Exterior	Oak Interior/ Forest Green Exterior
	<b>FWO2168AP</b>	By description	By description	By description	By description
	<b>FWO21611AP</b>	By description	By description	By description	By description
	<b>FWO2180AP</b>	By description	By description	By description	By description
	<b>FWO2768AP</b>	By description	By description	By description	By description
	<b>FWO27611AP</b>	By description	By description	By description	By description
	<b>FWO2780AP</b>	By description	By description	By description	By description
	<b>FWO2968AP</b>	By description	By description	By description	By description
	<b>FWO29611AP</b>	By description	By description	By description	By description
	<b>FWO2980AP</b>	By description	By description	By description	By description
	<b>FWO3168AP</b>	By description	By description	By description	By description
	<b>FWO31611AP</b>	By description	By description	By description	By description
	<b>FWO3180AP</b>	By description	By description	By description	By description

## Panels - Active

Panel with Astragal - Active / Double Door (AP) / HP-Low-E4® Tempered / Interior White		
	Unit No.	White Interior / White Exterior
	<b>FWO2168AP</b>	By description
	<b>FWO21611AP</b>	By description
	<b>FWO2180AP</b>	By description
	<b>FWO2768AP</b>	By description
	<b>FWO27611AP</b>	By description
	<b>FWO2780AP</b>	By description
	<b>FWO2968AP</b>	By description
	<b>FWO29611AP</b>	By description
	<b>FWO2980AP</b>	By description
	<b>FWO3168AP</b>	By description
	<b>FWO31611AP</b>	By description
	<b>FWO3180AP</b>	By description

Panel with Astragal - Active / Double Door (AP) / High-Performance-Low-E4® Sun 3 Tempered / Pine Interior				
	Unit No.	Pine Interior/ White Exterior	Pine Interior/ Terratone Exterior	Pine Interior/ Sandtone Exterior
	<b>FWO2168AP</b>	By description	By description	By description
	<b>FWO21611AP</b>	By description	By description	By description
	<b>FWO2180AP</b>	By description	By description	By description
	<b>FWO2768AP</b>	By description	By description	By description
	<b>FWO27611AP</b>	By description	By description	By description
	<b>FWO2780AP</b>	By description	By description	By description
	<b>FWO2968AP</b>	By description	By description	By description
	<b>FWO29611AP</b>	By description	By description	By description
	<b>FWO2980AP</b>	By description	By description	By description
	<b>FWO3168AP</b>	By description	By description	By description
	<b>FWO31611AP</b>	By description	By description	By description
	<b>FWO3180AP</b>	By description	By description	By description

# 400 Series Frenchwood® Outswing Doors (1997 to 2016)

Single Panel, 2-Panel, and Stationary Panel

## Panels - Active

<b>Panel with Astragal - Active / Double Door (AP) / High-Performance-Low-E4® Sun 3 Tempered / Maple Interior</b>				
	<b>Unit No.</b>	<b>Maple Interior/ White Exterior</b>	<b>Maple Interior/ Terratone Exterior</b>	<b>Maple Interior/ Sandtone Exterior</b>
	<b>FWO2168AP</b>	By description	By description	By description
	<b>FWO21611AP</b>	By description	By description	By description
	<b>FWO2180AP</b>	By description	By description	By description
	<b>FWO2768AP</b>	By description	By description	By description
	<b>FWO27611AP</b>	By description	By description	By description
	<b>FWO2780AP</b>	By description	By description	By description
	<b>FWO2968AP</b>	By description	By description	By description
	<b>FWO29611AP</b>	By description	By description	By description
	<b>FWO2980AP</b>	By description	By description	By description
	<b>FWO3168AP</b>	By description	By description	By description
	<b>FWO31611AP</b>	By description	By description	By description
	<b>FWO3180AP</b>	By description	By description	By description
<b>Panel with Astragal - Active / Double Door (AP) / High-Performance-Low-E4® Sun 3 Tempered / Oak Interior</b>				
	<b>Unit No.</b>	<b>Oak Interior/ White Exterior</b>	<b>Oak Interior/ Terratone Exterior</b>	<b>Oak Interior/ Sandtone Exterior</b>
	<b>FWO2168AP</b>	By description	By description	By description
	<b>FWO21611AP</b>	By description	By description	By description
	<b>FWO2180AP</b>	By description	By description	By description
	<b>FWO2768AP</b>	By description	By description	By description
	<b>FWO27611AP</b>	By description	By description	By description
	<b>FWO2780AP</b>	By description	By description	By description
	<b>FWO2968AP</b>	By description	By description	By description
	<b>FWO29611AP</b>	By description	By description	By description
	<b>FWO2980AP</b>	By description	By description	By description
	<b>FWO3168AP</b>	By description	By description	By description
	<b>FWO31611AP</b>	By description	By description	By description
	<b>FWO3180AP</b>	By description	By description	By description

## Panels - Active

Panel with Astragal - Active / Double Door (AP) / High-Performance-Low-E4® Sun 3 Tempered / Interior White		
	Unit No.	White Interior / White Exterior
	FWO2168AP	By description
	FWO21611AP	By description
	FWO2180AP	By description
	FWO2768AP	By description
	FWO27611AP	By description
	FWO2780AP	By description
	FWO2968AP	By description
	FWO29611AP	By description
	FWO2980AP	By description
	FWO3168AP	By description
	FWO31611AP	By description
	FWO3180AP	By description

Panel with Astragal - Active / Double Door (AP) / High-Performance Sun II Tempered
<p><b>Note:</b> Available by description.</p>

## 400 Series Frenchwood® Outswing Doors (1997 to 2016)

*Single Panel, 2-Panel, and Stationary Panel*

### Panels - Active

#### Active Panels / Double Doors (PA)

**Note:**

An active panel for a double door cannot be used in a single door. The active panel is the door that opens first from the exterior and is on the right side of a PA unit when viewed from the exterior. Panel includes gasket. See [Service Guide 0005225](#).

#### Panel with Astragal - Active / Double Door (PA) / High-Performance-Low-E4® Tempered / Pine Interior

	Unit No.	Pine Interior/ White Exterior	Pine Interior/ Terratone Exterior	Pine Interior/ Sandtone Exterior	Pine Interior/ Forest Green Exterior
	<b>FWO2168PA</b>	By description	By description	By description	By description
	<b>FWO21611PA</b>	By description	By description	By description	By description
	<b>FWO2180PA</b>	By description	By description	By description	By description
	<b>FWO2768PA</b>	By description	By description	By description	By description
	<b>FWO27611PA</b>	By description	By description	By description	By description
	<b>FWO2780PA</b>	By description	By description	By description	By description
	<b>FWO2968PA</b>	By description	By description	By description	By description
	<b>FWO29611PA</b>	By description	By description	By description	By description
	<b>FWO2980PA</b>	By description	By description	By description	By description
	<b>FWO3168PA</b>	By description	By description	By description	By description
	<b>FWO31611PA</b>	By description	By description	By description	By description
	<b>FWO3180PA</b>	By description	By description	By description	By description

#### Panel with Astragal - Active / Double Door (PA) / High-Performance-Low-E4® Tempered / Maple Interior

	Unit No.	Maple Interior/ White Exterior	Maple Interior/ Terratone Exterior	Maple Interior/ Sandtone Exterior	Maple Interior/ Forest Green Exterior
	<b>FWO2168PA</b>	By description	By description	By description	By description
	<b>FWO21611PA</b>	By description	By description	By description	By description
	<b>FWO2180PA</b>	By description	By description	By description	By description
	<b>FWO2768PA</b>	By description	By description	By description	By description
	<b>FWO27611PA</b>	By description	By description	By description	By description
	<b>FWO2780PA</b>	By description	By description	By description	By description
	<b>FWO2968PA</b>	By description	By description	By description	By description
	<b>FWO29611PA</b>	By description	By description	By description	By description
	<b>FWO2980PA</b>	By description	By description	By description	By description
	<b>FWO3168PA</b>	By description	By description	By description	By description
	<b>FWO31611PA</b>	By description	By description	By description	By description

## Panels - Active

<b>Panel with Astragal - Active / Double Door (PA) / High-Performance-Low-E4® Tempered / Oak Interior</b>					
	<b>Unit No.</b>	<b>Oak Interior/ White Exterior</b>	<b>Oak Interior/ Terratone Exterior</b>	<b>Oak Interior/ Sandtone Exterior</b>	<b>Oak Interior/ Forest Green Exterior</b>
	<b>FWO2168PA</b>	By description	By description	By description	By description
	<b>FWO21611PA</b>	By description	By description	By description	By description
	<b>FWO2180PA</b>	By description	By description	By description	By description
	<b>FWO2768PA</b>	By description	By description	By description	By description
	<b>FWO27611PA</b>	By description	By description	By description	By description
	<b>FWO2780PA</b>	By description	By description	By description	By description
	<b>FWO2968PA</b>	By description	By description	By description	By description
	<b>FWO29611PA</b>	By description	By description	By description	By description
	<b>FWO2980PA</b>	By description	By description	By description	By description
	<b>FWO3168PA</b>	By description	By description	By description	By description
	<b>FWO31611PA</b>	By description	By description	By description	By description
	<b>FWO3180PA</b>	By description	By description	By description	By description

<b>Panel with Astragal - Active / Double Door (PA) / HP-Low-E4® Tempered / Interior White</b>		
	<b>Unit No.</b>	<b>White Interior / White Exterior</b>
	<b>FWO2168PA</b>	By description
	<b>FWO21611PA</b>	By description
	<b>FWO2180PA</b>	By description
	<b>FWO2768PA</b>	By description
	<b>FWO27611PA</b>	By description
	<b>FWO2780PA</b>	By description
	<b>FWO2968PA</b>	By description
	<b>FWO29611PA</b>	By description
	<b>FWO2980PA</b>	By description
	<b>FWO3168PA</b>	By description
	<b>FWO31611PA</b>	By description
	<b>FWO3180PA</b>	By description



## 400 Series Frenchwood® Outswing Doors (1997 to 2016)

*Single Panel, 2-Panel, and Stationary Panel*

### Panels - Active

Panel with Astragal - Active / Double Door (PA) / High-Performance-Low-E4® Sun 3 Tempered / Pine Interior				
	Unit No.	Pine Interior/ White Exterior	Pine Interior/ Terratone Exterior	Pine Interior/ Sandtone Exterior
	<b>FWO2168PA</b>	By description	By description	By description
	<b>FWO21611PA</b>	By description	By description	By description
	<b>FWO2180PA</b>	By description	By description	By description
	<b>FWO2768PA</b>	By description	By description	By description
	<b>FWO27611PA</b>	By description	By description	By description
	<b>FWO2780PA</b>	By description	By description	By description
	<b>FWO2968PA</b>	By description	By description	By description
	<b>FWO29611PA</b>	By description	By description	By description
	<b>FWO2980PA</b>	By description	By description	By description
	<b>FWO3168PA</b>	By description	By description	By description
	<b>FWO31611PA</b>	By description	By description	By description
	<b>FWO3180PA</b>	By description	By description	By description

Panel with Astragal - Active / Double Door (PA) / High-Performance-Low-E4® Sun 3 Tempered / Maple Interior				
	Unit No.	Maple Interior/ White Exterior	Maple Interior/ Terratone Exterior	Maple Interior/ Sandtone Exterior
	<b>FWO2168PA</b>	By description	By description	By description
	<b>FWO21611PA</b>	By description	By description	By description
	<b>FWO2180PA</b>	By description	By description	By description
	<b>FWO2768PA</b>	By description	By description	By description
	<b>FWO27611PA</b>	By description	By description	By description
	<b>FWO2780PA</b>	By description	By description	By description
	<b>FWO2968PA</b>	By description	By description	By description
	<b>FWO29611PA</b>	By description	By description	By description
	<b>FWO2980PA</b>	By description	By description	By description
	<b>FWO3168PA</b>	By description	By description	By description
	<b>FWO31611PA</b>	By description	By description	By description
	<b>FWO3180PA</b>	By description	By description	By description

## Panels - Active

Panel with Astragal - Active / Double Door (PA) / High-Performance-Low-E4® Sun 3 Tempered / Oak Interior				
	Unit No.	Oak Interior/ White Exterior	Oak Interior/ Terratone Exterior	Oak Interior/ Sandtone Exterior
	<b>FWO2168PA</b>	By description	By description	By description
	<b>FWO21611PA</b>	By description	By description	By description
	<b>FWO2180PA</b>	By description	By description	By description
	<b>FWO2768PA</b>	By description	By description	By description
	<b>FWO27611PA</b>	By description	By description	By description
	<b>FWO2780PA</b>	By description	By description	By description
	<b>FWO2968PA</b>	By description	By description	By description
	<b>FWO29611PA</b>	By description	By description	By description
	<b>FWO2980PA</b>	By description	By description	By description
	<b>FWO3168PA</b>	By description	By description	By description
	<b>FWO31611PA</b>	By description	By description	By description
	<b>FWO3180PA</b>	By description	By description	By description

Panel with Astragal - Active / Double Door (PA) / High-Performance-Low-E4® Sun 3 Tempered / Interior White		
	Unit No.	White Interior / White Exterior
	<b>FWO2168PA</b>	By description
	<b>FWO21611PA</b>	By description
	<b>FWO2180PA</b>	By description
	<b>FWO2768PA</b>	By description
	<b>FWO27611PA</b>	By description
	<b>FWO2780PA</b>	By description
	<b>FWO2968PA</b>	By description
	<b>FWO29611PA</b>	By description
	<b>FWO2980PA</b>	By description
	<b>FWO3168PA</b>	By description
	<b>FWO31611PA</b>	By description
	<b>FWO3180PA</b>	By description

Panel with Astragal - Active / Double Door (PA) / High-Performance Sun II Tempered
<p><b>Note:</b> Available by description.</p>

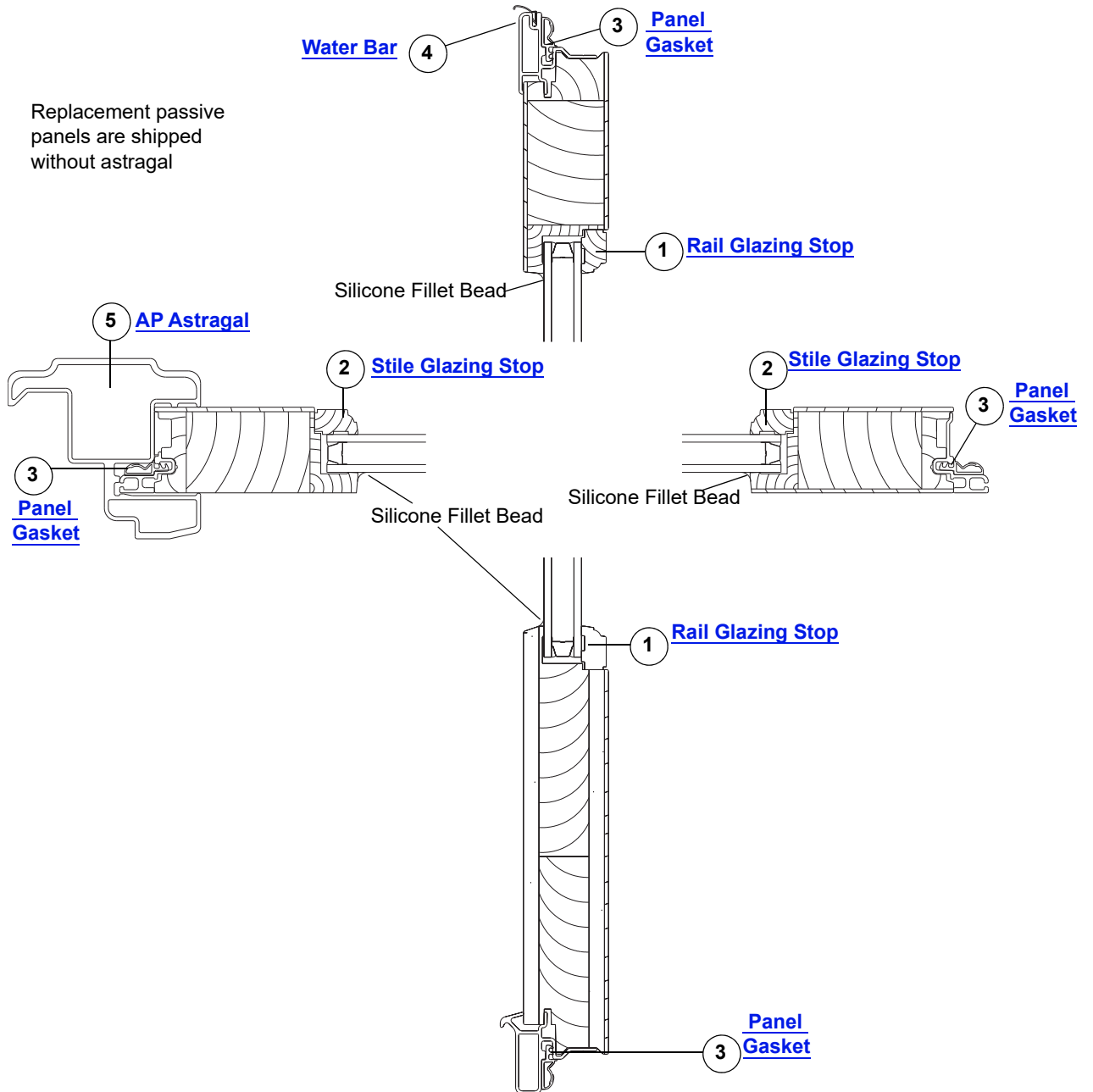
# 400 Series Frenchwood® Outswing Doors (1997 to 2016)

Single Panel, 2-Panel, and Stationary Panel

## Panels - Passive

### Passive Panel Graphic

Replacement passive panels are shipped without astragal



Frenchwood Outswing Door AP Passive Right Panel

## Panels - Passive

### Passive Panel Size Table

**Note:**

**Passive Panel** is measured outside edge to outside edge of frame.

**Unobstructed Glass** is dimension from outside edge to outside edge of visible glass only.

**Actual Glass** is dimension of outside edge to outside edge of glass, including glass that is not visible.

1" finelight profile is standard, with color matching exterior color of panel.

Maple and Oak finishes introduced in 2003.

White painted finish in 2000.

White PVC veneer wrap in 2002.

### Size Table - Passive Panel / Double Door (AP/PA)

Unit No.	Passive Panel (w x h)	Unobstructed Glass (w x h)	Actual Glass (w x h)
FWO2168P	23 <sup>59</sup> / <sub>64</sub> × 78 <sup>1</sup> / <sub>16</sub>	13 <sup>1</sup> / <sub>4</sub> × 63 <sup>1</sup> / <sub>2</sub>	14 <sup>3</sup> / <sub>8</sub> × 64 <sup>9</sup> / <sub>16</sub>
FWO21611P	23 <sup>59</sup> / <sub>64</sub> × 80 <sup>15</sup> / <sub>16</sub>	13 <sup>1</sup> / <sub>4</sub> × 66 <sup>3</sup> / <sub>8</sub>	14 <sup>3</sup> / <sub>8</sub> × 67 <sup>9</sup> / <sub>16</sub>
FWO2180P	23 <sup>59</sup> / <sub>64</sub> × 94 <sup>1</sup> / <sub>16</sub>	13 <sup>1</sup> / <sub>4</sub> × 79 <sup>1</sup> / <sub>2</sub>	14 <sup>3</sup> / <sub>8</sub> × 80 <sup>9</sup> / <sub>16</sub>
FWO2768P	29 <sup>35</sup> / <sub>64</sub> × 78 <sup>1</sup> / <sub>16</sub>	18 <sup>7</sup> / <sub>8</sub> × 63 <sup>1</sup> / <sub>2</sub>	20 × 64 <sup>9</sup> / <sub>16</sub>
FWO27611P	29 <sup>35</sup> / <sub>64</sub> × 80 <sup>15</sup> / <sub>16</sub>	18 <sup>7</sup> / <sub>8</sub> × 66 <sup>3</sup> / <sub>8</sub>	20 × 67 <sup>9</sup> / <sub>16</sub>
FWO2780P	29 <sup>35</sup> / <sub>64</sub> × 94 <sup>1</sup> / <sub>16</sub>	18 <sup>7</sup> / <sub>8</sub> × 79 <sup>1</sup> / <sub>2</sub>	20 × 80 <sup>9</sup> / <sub>16</sub>
FWO2968P	31 <sup>35</sup> / <sub>64</sub> × 78 <sup>1</sup> / <sub>16</sub>	20 <sup>7</sup> / <sub>8</sub> × 63 <sup>1</sup> / <sub>2</sub>	22 × 64 <sup>9</sup> / <sub>16</sub>
FWO29611P	31 <sup>35</sup> / <sub>64</sub> × 80 <sup>15</sup> / <sub>16</sub>	20 <sup>7</sup> / <sub>8</sub> × 66 <sup>3</sup> / <sub>8</sub>	22 × 67 <sup>9</sup> / <sub>16</sub>
FWO2980P	31 <sup>35</sup> / <sub>64</sub> × 94 <sup>1</sup> / <sub>16</sub>	20 <sup>7</sup> / <sub>8</sub> × 79 <sup>1</sup> / <sub>2</sub>	22 × 80 <sup>9</sup> / <sub>16</sub>
FWO3168P	35 <sup>35</sup> / <sub>64</sub> × 78 <sup>1</sup> / <sub>16</sub>	24 <sup>7</sup> / <sub>8</sub> × 63 <sup>1</sup> / <sub>2</sub>	26 × 64 <sup>9</sup> / <sub>16</sub>
FWO31611P	35 <sup>35</sup> / <sub>64</sub> × 80 <sup>15</sup> / <sub>16</sub>	24 <sup>7</sup> / <sub>8</sub> × 66 <sup>3</sup> / <sub>8</sub>	26 × 67 <sup>9</sup> / <sub>16</sub>
FWO3180P	35 <sup>35</sup> / <sub>64</sub> × 94 <sup>1</sup> / <sub>16</sub>	24 <sup>7</sup> / <sub>8</sub> × 79 <sup>1</sup> / <sub>2</sub>	26 × 80 <sup>9</sup> / <sub>16</sub>

### Passive Panels

**Note:**

Panel includes gasket. See [Service Guide 0005225](#).

### Panel without Astragal - Passive / Double Door (AP/PA) / High-Performance-Low-E4® Tempered / Pine Interior

Unit No.	Pine Interior/ White Exterior		Pine Interior/ Terratone Exterior		Pine Interior/ Sandtone Exterior		Pine Interior/ Forest Green Exterior	
	Left	Right	Left	Right	Left	Right	Left	Right
FWO2168P	By description	By description	By description	By description	By description	By description	By description	By description
FWO21611P	By description	By description	By description	By description	By description	By description	By description	By description
FWO2180P	By description	By description	By description	By description	By description	By description	By description	By description
FWO2768P	By description	By description	By description	By description	By description	By description	By description	By description
FWO27611P	By description	By description	By description	By description	By description	By description	By description	By description
FWO2780P	By description	By description	By description	By description	By description	By description	By description	By description
FWO2968P	By description	By description	By description	By description	By description	By description	By description	By description
FWO29611P	By description	By description	By description	By description	By description	By description	By description	By description
FWO2980P	By description	By description	By description	By description	By description	By description	By description	By description
FWO3168P	By description	By description	By description	By description	By description	By description	By description	By description
FWO31611P	By description	By description	By description	By description	By description	By description	By description	By description
FWO3180P	By description	By description	By description	By description	By description	By description	By description	By description

## 400 Series Frenchwood® Outswing Doors (1997 to 2016)

*Single Panel, 2-Panel, and Stationary Panel*

### Panels - Passive

<b>Panel without Astragal - Passive / Double Door (AP/PA) / High Performance Tempered / Maple Interior</b>								
Unit No.	Maple Interior/ White Exterior		Maple Interior/ Terratone Exterior		Maple Interior/ Sandtone Exterior		Maple Interior/ Forest Green Exterior	
	Left	Right	Left	Right	Left	Right	Left	Right
<b>FWO2168P</b>	By description	By description	By description	By description	By description	By description	By description	By description
<b>FWO21611P</b>	By description	By description	By description	By description	By description	By description	By description	By description
<b>FWO2180P</b>	By description	By description	By description	By description	By description	By description	By description	By description
<b>FWO2768P</b>	By description	By description	By description	By description	By description	By description	By description	By description
<b>FWO27611P</b>	By description	By description	By description	By description	By description	By description	By description	By description
<b>FWO2780P</b>	By description	By description	By description	By description	By description	By description	By description	By description
<b>FWO2968P</b>	By description	By description	By description	By description	By description	By description	By description	By description
<b>FWO29611P</b>	By description	By description	By description	By description	By description	By description	By description	By description
<b>FWO2980P</b>	By description	By description	By description	By description	By description	By description	By description	By description
<b>FWO3168P</b>	By description	By description	By description	By description	By description	By description	By description	By description
<b>FWO31611P</b>	By description	By description	By description	By description	By description	By description	By description	By description
<b>FWO3180P</b>	By description	By description	By description	By description	By description	By description	By description	By description

<b>Panel without Astragal - Passive / Double Door (AP/PA) / High Performance Tempered / Oak Interior</b>								
Unit No.	Oak Interior/ White Exterior		Oak Interior/ Terratone Exterior		Oak Interior/ Sandtone Exterior		Oak Interior/ Forest Green Exterior	
	Left	Right	Left	Right	Left	Right	Left	Right
<b>FWO2168P</b>	By description	By description	By description	By description	By description	By description	By description	By description
<b>FWO21611P</b>	By description	By description	By description	By description	By description	By description	By description	By description
<b>FWO2180P</b>	By description	By description	By description	By description	By description	By description	By description	By description
<b>FWO2768P</b>	By description	By description	By description	By description	By description	By description	By description	By description
<b>FWO27611P</b>	By description	By description	By description	By description	By description	By description	By description	By description
<b>FWO2780P</b>	By description	By description	By description	By description	By description	By description	By description	By description
<b>FWO2968P</b>	By description	By description	By description	By description	By description	By description	By description	By description
<b>FWO29611P</b>	By description	By description	By description	By description	By description	By description	By description	By description
<b>FWO2980P</b>	By description	By description	By description	By description	By description	By description	By description	By description
<b>FWO3168P</b>	By description	By description	By description	By description	By description	By description	By description	By description
<b>FWO31611P</b>	By description	By description	By description	By description	By description	By description	By description	By description
<b>FWO3180P</b>	By description	By description	By description	By description	By description	By description	By description	By description

## Panels - Passive

Panel without Astragal - Passive / Double Door (AP/PA) / High-Performance-Low-E4® Tempered / Interior White			
	Unit No.	White Interior / White Exterior	
		Left	Right
	<b>FWO2168P</b>	By description	By description
	<b>FWO21611P</b>	By description	By description
	<b>FWO2180P</b>	By description	By description
	<b>FWO2768P</b>	By description	By description
	<b>FWO27611P</b>	By description	By description
	<b>FWO2780P</b>	By description	By description
	<b>FWO2968P</b>	By description	By description
	<b>FWO29611P</b>	By description	By description
	<b>FWO2980P</b>	By description	By description
	<b>FWO3168P</b>	By description	By description
	<b>FWO31611P</b>	By description	By description
	<b>FWO3180P</b>	By description	By description

Panel without Astragal - Passive / Double Door (AP/PA) / HP-Low-E4® Sun 3 Tempered / Pine Interior						
Unit No.	Pine Interior/ White Exterior		Pine Interior/ Terratone Exterior		Pine Interior/ Sandtone Exterior	
	Left	Right	Left	Right	Left	Right
<b>FWO2168P</b>	By description	By description	By description	By description	By description	By description
<b>FWO21611P</b>	By description	By description	By description	By description	By description	By description
<b>FWO2180P</b>	By description	By description	By description	By description	By description	By description
<b>FWO2768P</b>	By description	By description	By description	By description	By description	By description
<b>FWO27611P</b>	By description	By description	By description	By description	By description	By description
<b>FWO2780P</b>	By description	By description	By description	By description	By description	By description
<b>FWO2968P</b>	By description	By description	By description	By description	By description	By description
<b>FWO29611P</b>	By description	By description	By description	By description	By description	By description
<b>FWO2980P</b>	By description	By description	By description	By description	By description	By description
<b>FWO3168P</b>	By description	By description	By description	By description	By description	By description
<b>FWO31611P</b>	By description	By description	By description	By description	By description	By description
<b>FWO3180P</b>	By description	By description	By description	By description	By description	By description

## 400 Series Frenchwood® Outswing Doors (1997 to 2016)

*Single Panel, 2-Panel, and Stationary Panel*

### Panels - Passive

<b>Panel without Astragal - Passive / Double Door (AP/PA) / HP-Low-E4® Sun 3 Tempered / Maple Interior</b>						
Unit No.	Maple Interior/ White Exterior		Maple Interior/ Terratone Exterior		Maple Interior/ Sandtone Exterior	
	Left	Right	Left	Right	Left	Right
<b>FWO2168P</b>	By description	By description	By description	By description	By description	By description
<b>FWO21611P</b>	By description	By description	By description	By description	By description	By description
<b>FWO2180P</b>	By description	By description	By description	By description	By description	By description
<b>FWO2768P</b>	By description	By description	By description	By description	By description	By description
<b>FWO27611P</b>	By description	By description	By description	By description	By description	By description
<b>FWO2780P</b>	By description	By description	By description	By description	By description	By description
<b>FWO2968P</b>	By description	By description	By description	By description	By description	By description
<b>FWO29611P</b>	By description	By description	By description	By description	By description	By description
<b>FWO2980P</b>	By description	By description	By description	By description	By description	By description
<b>FWO3168P</b>	By description	By description	By description	By description	By description	By description
<b>FWO31611P</b>	By description	By description	By description	By description	By description	By description
<b>FWO3180P</b>	By description	By description	By description	By description	By description	By description

<b>Panel without Astragal - Passive / Double Door (AP/PA) / HP-Low-E4® Sun 3 Tempered / Oak Interior</b>						
Unit No.	Oak Interior/ White Exterior		Oak Interior/ Terratone Exterior		Oak Interior/ Sandtone Exterior	
	Left	Right	Left	Right	Left	Right
<b>FWO2168P</b>	By description	By description	By description	By description	By description	By description
<b>FWO21611P</b>	By description	By description	By description	By description	By description	By description
<b>FWO2180P</b>	By description	By description	By description	By description	By description	By description
<b>FWO2768P</b>	By description	By description	By description	By description	By description	By description
<b>FWO27611P</b>	By description	By description	By description	By description	By description	By description
<b>FWO2780P</b>	By description	By description	By description	By description	By description	By description
<b>FWO2968P</b>	By description	By description	By description	By description	By description	By description
<b>FWO29611P</b>	By description	By description	By description	By description	By description	By description
<b>FWO2980P</b>	By description	By description	By description	By description	By description	By description
<b>FWO3168P</b>	By description	By description	By description	By description	By description	By description
<b>FWO31611P</b>	By description	By description	By description	By description	By description	By description
<b>FWO3180P</b>	By description	By description	By description	By description	By description	By description

**Panels - Passive**

<b>Panel without Astragal - Passive / Double Door (AP/PA) / High-Performance-Low-E4® Sun 3 Tempered / Interior White</b>			
	<b>Unit No.</b>	<b>White Interior / White Exterior</b>	
		<b>Left</b>	<b>Right</b>
	<b>FWO2168P</b>	By description	By description
	<b>FWO21611P</b>	By description	By description
	<b>FWO2180P</b>	By description	By description
	<b>FWO2768P</b>	By description	By description
	<b>FWO27611P</b>	By description	By description
	<b>FWO2780P</b>	By description	By description
	<b>FWO2968P</b>	By description	By description
	<b>FWO29611P</b>	By description	By description
	<b>FWO2980P</b>	By description	By description
	<b>FWO3168P</b>	By description	By description
	<b>FWO31611P</b>	By description	By description
	<b>FWO3180P</b>	By description	By description

<b>Panel without Astragal - Passive / Double Door (AP/PA) / High-Performance Sun II Tempered</b>
<b>Note:</b> Available by description.



## 400 Series Frenchwood® Outswing Doors (1997 to 2016)

*Single Panel, 2-Panel, and Stationary Panel*

### Panels - Passive

#### Panel Astragal Kit (AP) - Passive / Stainless Steel Hardware (2003 - 2016)

Panel Astragal Kit- Passive (AP) / Stainless Steel Hardware / Pine Interior *(March 2003 to 2016)* Ref. No 5 [page 27](#)

Unit No.	Dimensions	Pine Interior/ White Exterior	Pine Interior/ Terratone Exterior	Pine Interior/ Sandtone Exterior	Pine Interior/ Forest Green Exterior
<b>FWO68AP</b>	76 <sup>15</sup> / <sub>32</sub>	9135277	9135283	9135280	9135286
<b>FWO611AP</b>	79 <sup>11</sup> / <sub>32</sub>	9135278	9135284	9135281	9135287
<b>FWO80AP</b>	92 <sup>15</sup> / <sub>32</sub>	9135279	9135285	9135282	9135288

Panel Astragal Kit- Passive (AP) / Stainless Steel Hardware / Maple Interior *(July 2003 to 2016)* Ref. No 5 [page 27](#)

Unit No.	Dimensions	Maple Interior/ White Exterior	Maple Interior/ Terratone Exterior	Maple Interior/ Sandtone Exterior	Maple Interior/ Forest Green Exterior
<b>FWO68AP</b>	76 <sup>15</sup> / <sub>32</sub>	9135301	9135307	9135304	9135310
<b>FWO611AP</b>	79 <sup>11</sup> / <sub>32</sub>	9135302	9135308	9135305	9135311
<b>FWO80AP</b>	92 <sup>15</sup> / <sub>32</sub>	9135303	9135309	9135306	9135312

Panel Astragal Kit- Passive (AP) / Stainless Steel Hardware / Oak Interior *(July 2003 to 2016)* Ref. No 5 [page 27](#)

Unit No.	Dimensions	Oak Interior/ White Exterior	Oak Interior/ Terratone Exterior	Oak Interior/ Sandtone Exterior	Oak Interior/ Forest Green Exterior
<b>FWO68AP</b>	76 <sup>15</sup> / <sub>32</sub>	9135289	9135295	9135292	9135298
<b>FWO611AP</b>	79 <sup>11</sup> / <sub>32</sub>	9135290	9135296	9135293	9135299
<b>FWO80AP</b>	92 <sup>15</sup> / <sub>32</sub>	9135291	9135297	9135294	9135300

Panel Astragal Kit- Passive (AP) / Stainless Steel Hardware / PI White *(March 2003 to 2016)* Ref. No 5 [page 27](#)

	Unit No.	Dimensions	White Interior / White Exterior
	<b>FWO68AP</b>	76 <sup>15</sup> / <sub>32</sub>	9135274
	<b>FWO611AP</b>	79 <sup>11</sup> / <sub>32</sub>	9135275
	<b>FWO80AP</b>	92 <sup>15</sup> / <sub>32</sub>	9135276

**Panels - Passive**

**Panel Astragal Kit (PA) - Passive / Stainless Steel Hardware (2003 - 2016)**

<b>Panel Astragal Kit- Passive (PA) / Stainless Steel Hardware / Pine Interior (March 2003 to 2016)</b>					
Unit No.	Dimensions	Pine Interior/ White Exterior	Pine Interior/ Terratone Exterior	Pine Interior/ Sandtone Exterior	Pine Interior/ Forest Green Exterior
<b>FWO68PA</b>	76 <sup>15</sup> / <sub>32</sub>	9135238	9135244	9135241	9135247
<b>FWO611PA</b>	79 <sup>11</sup> / <sub>32</sub>	9135239	9135245	9135242	9135248
<b>FWO80PA</b>	92 <sup>15</sup> / <sub>32</sub>	9135240	9135246	9135243	9135249

**Panel Astragal Kit- Passive (PA) / Stainless Steel Hardware / Maple Interior (July 2003 to 2016)**

Unit No.	Dimensions	Maple Interior/ White Exterior	Maple Interior/ Terratone Exterior	Maple Interior/ Sandtone Exterior	Maple Interior/ Forest Green Exterior
<b>FWO68PA</b>	76 <sup>15</sup> / <sub>32</sub>	9135262	9135268	9135265	9135271
<b>FWO611PA</b>	79 <sup>11</sup> / <sub>32</sub>	9135263	9135269	9135266	9135272
<b>FWO80PA</b>	92 <sup>15</sup> / <sub>32</sub>	9135264	9135270	9135267	9135273

**Panel Astragal Kit- Passive (PA) / Stainless Steel Hardware / Oak Interior (July 2003 to 2016)**

Unit No.	Dimensions	Oak Interior/ White Exterior	Oak Interior/ Terratone Exterior	Oak Interior/ Sandtone Exterior	Oak Interior/ Forest Green Exterior
<b>FWO68PA</b>	76 <sup>15</sup> / <sub>32</sub>	9135250	9135256	9135253	9135259
<b>FWO611PA</b>	79 <sup>11</sup> / <sub>32</sub>	9135251	9135257	9135254	9135260
<b>FWO80PA</b>	92 <sup>15</sup> / <sub>32</sub>	9135252	9135258	9135255	9135261

**Panel Astragal Kit - Passive (PA) / Stainless Steel Hardware / Interior White (March 2003 to 2016)**

	Unit No.	Dimensions	White Interior / White Exterior
	<b>FWO68PA</b>	76 <sup>15</sup> / <sub>32</sub>	9135313
	<b>FWO611PA</b>	79 <sup>11</sup> / <sub>32</sub>	9135314
	<b>FWO80PA</b>	92 <sup>15</sup> / <sub>32</sub>	9135315

**Screw - Astragal**

**Note:**  
Also used to secure AP/PA hook bolt receiver, [page 102](#) and AP/PA latch bolt receiver [page 102](#).

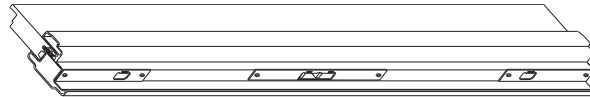
	Description	Stainless Steel
	10-12 x 3 1/2"	2579414

## 400 Series Frenchwood® Outswing Doors (1997 to 2016)

*Single Panel, 2-Panel, and Stationary Panel*

### Panels - Passive

#### Panel Astragal (AP) - Passive / Zinc Dichromate Hardware (1998 - 2003)



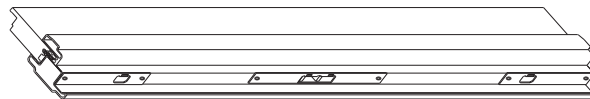
#### Panel Astragal with Screws - Passive (AP) / Zinc Dichromate Hardware / Pine Interior (1998 to March 2003)

Unit No.	Dimensions	Pine Interior/ White Exterior	Pine Interior/ Terratone Exterior	Pine Interior/ Sandtone Exterior	Pine Interior/ Forest Green Exterior
FWO68AP	76 <sup>15</sup> / <sub>32</sub>	6021091	6021096	6021101	N/A
FWO611AP	79 <sup>11</sup> / <sub>32</sub>	6021121	6021126	6021131	N/A
FWO80AP	92 <sup>15</sup> / <sub>32</sub>	6021151	6021156	6021161	N/A

#### Panel Astragal with Screws - Passive (AP) / Zinc Dichromate Hardware / Interior White

	Unit No.	Dimensions	White Interior / White Exterior
	FWO68AP	76 <sup>15</sup> / <sub>32</sub>	6021093
	FWO611AP	79 <sup>11</sup> / <sub>32</sub>	6021123
	FWO80AP	92 <sup>15</sup> / <sub>32</sub>	6021153

#### Panel Astragal (PA) - Passive / Zinc Dichromate Hardware (1998 - 2003)



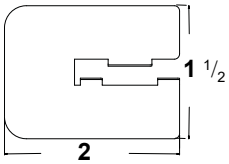
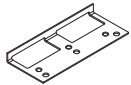
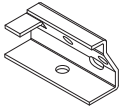
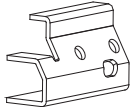
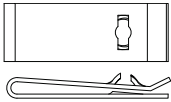
#### Panel Astragal - Passive (PA) / Zinc Dichromate Hardware / Pine Interior (1998 to March 2003)

Unit No.	Dimensions	Pine Interior/ White Exterior	Pine Interior/ Terratone Exterior	Pine Interior/ Sandtone Exterior	Pine Interior/ Forest Green Exterior
FWO68PA	76 <sup>15</sup> / <sub>32</sub>	6021076	6021081	6021086	N/A
FWO611PA	79 <sup>11</sup> / <sub>32</sub>	6021106	6021111	6021116	N/A
FWO80PA	92 <sup>15</sup> / <sub>32</sub>	6021136	6021141	6021146	N/A

#### Panel Astragal - Passive (PA) / Zinc Dichromate Hardware / Interior White (1998 to March 2003)

	Unit No.	Dimensions	White Interior / White Exterior
	FWO68PA	76 <sup>15</sup> / <sub>32</sub>	6021078
	FWO611PA	79 <sup>11</sup> / <sub>32</sub>	6021108
	FWO80PA	92 <sup>15</sup> / <sub>32</sub>	6021138

## Panels - Passive

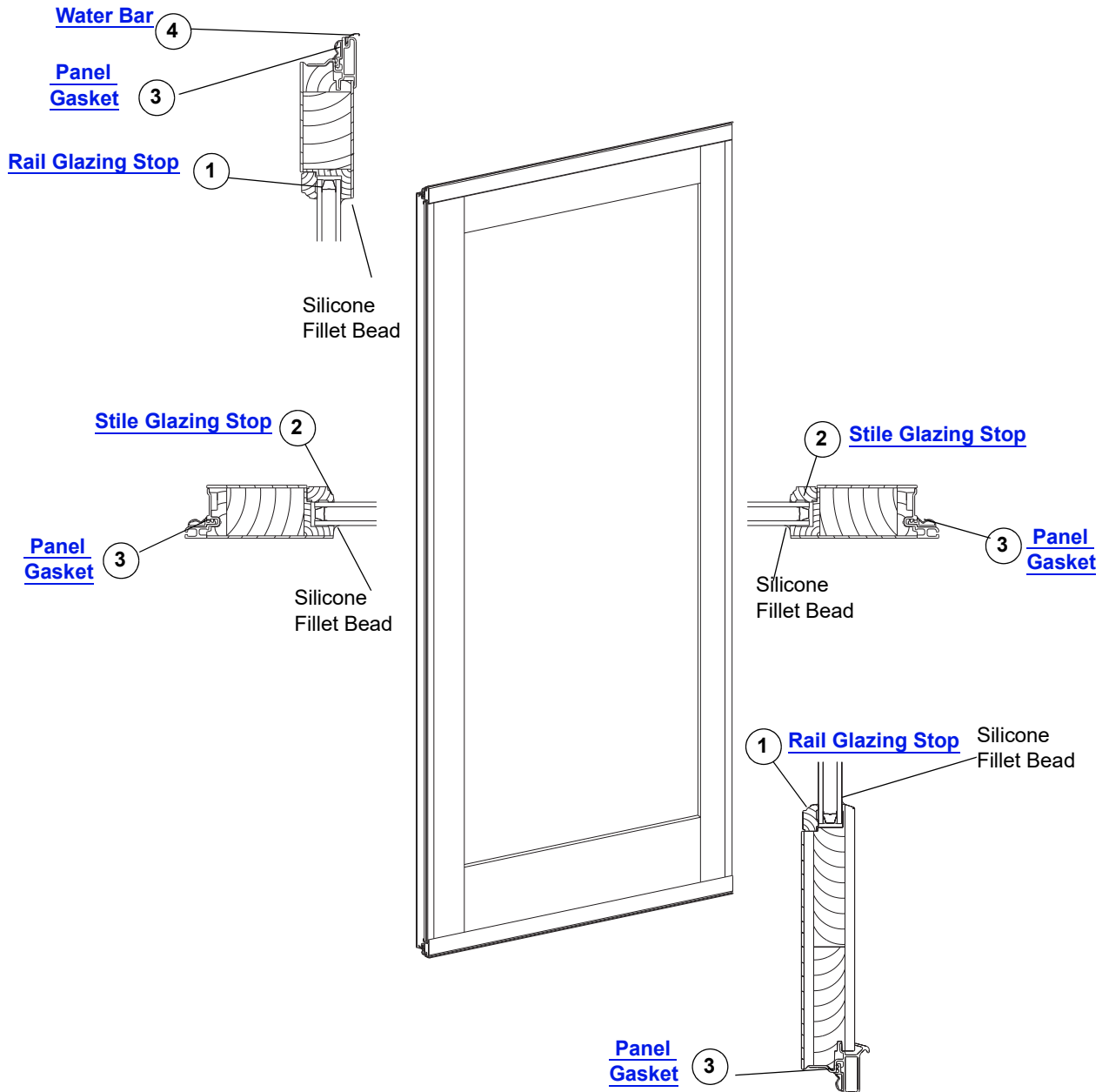
Passive Panel Hardware		
<b>Astragal Transition Plate</b>		
		<b>Order No.</b>
		2573334
<b>Bracket - Receiver / Reinforced / Double Door (AP/PA)</b>		
		<b>Order No.</b>
		2579793
<b>Bracket - Lock / Double Door (AP/PA) / Left Hand Lower and Right Hand Upper</b>		
		<b>Order No.</b>
		3259272
<b>Bracket - Lock / Double Door (AP/PA) / Left Hand Upper and Right Hand Lower</b>		
		<b>Order No.</b>
		2579795
<b>U Clip (March 2003 to 2016)</b>		
	<b>Note:</b> Use with stainless steel lock mechanism. Used on AP/PA latch bolt receiver.	<b>Order No.</b>
		2579427

# 400 Series Frenchwood® Outswing Doors (1997 to 2016)

Single Panel, 2-Panel, and Stationary Panel

## Panels - Stationary

### Stationary Panel Graphic



Frenchwood Outswing Door Stationary Panel

## Panels - Stationary

### Stationary Panel Size Table

**Note:**

1" finelight profile is standard, with color matching exterior color of panel.  
 Maple and Oak finishes introduced in 2003.  
 White painted finish in 2000.  
 White PVC veneer wrap in 2002.  
 Stationary Panel is measured outside edge to outside edge of frame.  
 Unobstructed Glass is dimension from outside edge to outside edge of visible glass only.  
 Actual Glass is dimension of outside edge to outside edge of glass, including glass that is not visible.

#### Size Table - Stationary Panel

Unit No.	Stationary Panel (w x h)	Unobstructed Glass (w x h)	Actual Glass (w x h)
<b>FWO2168S</b>	22 <sup>7</sup> / <sub>8</sub> × 78 <sup>1</sup> / <sub>16</sub>	13 <sup>1</sup> / <sub>4</sub> × 63 <sup>1</sup> / <sub>2</sub>	14 <sup>3</sup> / <sub>8</sub> × 64 <sup>9</sup> / <sub>16</sub>
<b>FWO21611S</b>	22 <sup>7</sup> / <sub>8</sub> × 80 <sup>15</sup> / <sub>16</sub>	13 <sup>1</sup> / <sub>4</sub> × 66 <sup>3</sup> / <sub>8</sub>	14 <sup>3</sup> / <sub>8</sub> × 67 <sup>9</sup> / <sub>16</sub>
<b>FWO2180S</b>	22 <sup>7</sup> / <sub>8</sub> × 94 <sup>1</sup> / <sub>16</sub>	13 <sup>1</sup> / <sub>4</sub> × 79 <sup>1</sup> / <sub>2</sub>	14 <sup>3</sup> / <sub>8</sub> × 80 <sup>9</sup> / <sub>16</sub>
<b>FWO2768S</b>	28 <sup>1</sup> / <sub>2</sub> × 78 <sup>1</sup> / <sub>16</sub>	18 <sup>7</sup> / <sub>8</sub> × 63 <sup>1</sup> / <sub>2</sub>	20 × 64 <sup>9</sup> / <sub>16</sub>
<b>FWO27611S</b>	28 <sup>1</sup> / <sub>2</sub> × 80 <sup>15</sup> / <sub>16</sub>	18 <sup>7</sup> / <sub>8</sub> × 66 <sup>3</sup> / <sub>8</sub>	20 × 67 <sup>9</sup> / <sub>16</sub>
<b>FWO2780S</b>	28 <sup>1</sup> / <sub>2</sub> × 94 <sup>1</sup> / <sub>16</sub>	18 <sup>7</sup> / <sub>8</sub> × 79 <sup>1</sup> / <sub>2</sub>	20 × 80 <sup>9</sup> / <sub>16</sub>
<b>FWO2968S</b>	30 <sup>1</sup> / <sub>2</sub> × 78 <sup>1</sup> / <sub>16</sub>	20 <sup>7</sup> / <sub>8</sub> × 63 <sup>1</sup> / <sub>2</sub>	22 × 64 <sup>9</sup> / <sub>16</sub>
<b>FWO29611S</b>	30 <sup>1</sup> / <sub>2</sub> × 80 <sup>15</sup> / <sub>16</sub>	20 <sup>7</sup> / <sub>8</sub> × 66 <sup>3</sup> / <sub>8</sub>	22 × 67 <sup>9</sup> / <sub>16</sub>
<b>FWO2980S</b>	30 <sup>1</sup> / <sub>2</sub> × 94 <sup>1</sup> / <sub>16</sub>	20 <sup>7</sup> / <sub>8</sub> × 79 <sup>1</sup> / <sub>2</sub>	22 × 80 <sup>9</sup> / <sub>16</sub>
<b>FWO3168S</b>	34 <sup>1</sup> / <sub>2</sub> × 78 <sup>1</sup> / <sub>16</sub>	24 <sup>7</sup> / <sub>8</sub> × 63 <sup>1</sup> / <sub>2</sub>	26 × 64 <sup>9</sup> / <sub>16</sub>
<b>FWO31611S</b>	34 <sup>1</sup> / <sub>2</sub> × 80 <sup>15</sup> / <sub>16</sub>	24 <sup>7</sup> / <sub>8</sub> × 66 <sup>3</sup> / <sub>8</sub>	26 × 67 <sup>9</sup> / <sub>16</sub>
<b>FWO3180S</b>	34 <sup>1</sup> / <sub>2</sub> × 94 <sup>1</sup> / <sub>16</sub>	24 <sup>7</sup> / <sub>8</sub> × 79 <sup>1</sup> / <sub>2</sub>	26 × 80 <sup>9</sup> / <sub>16</sub>

### Stationary Panels

**Note:**

Panel ships with panel stops, brackets and spacers.

#### Panel - Stationary / High-Performance-Low-E4® Tempered / Pine Interior

	Unit No.	Pine Interior/ White Exterior	Pine Interior/ Terratone Exterior	Pine Interior/ Sandtone Exterior	Pine Interior/ Forest Green Exterior
	<b>FWO2168S</b>	By description	By description	By description	By description
	<b>FWO21611S</b>	By description	By description	By description	By description
	<b>FWO2180S</b>	By description	By description	By description	By description
	<b>FWO2768S</b>	By description	By description	By description	By description
	<b>FWO27611S</b>	By description	By description	By description	By description
	<b>FWO2780S</b>	By description	By description	By description	By description
	<b>FWO2968S</b>	By description	By description	By description	By description
	<b>FWO29611S</b>	By description	By description	By description	By description
	<b>FWO2980S</b>	By description	By description	By description	By description
	<b>FWO3168S</b>	By description	By description	By description	By description
	<b>FWO31611S</b>	By description	By description	By description	By description
	<b>FWO3180S</b>	By description	By description	By description	By description

## 400 Series Frenchwood® Outswing Doors (1997 to 2016)

*Single Panel, 2-Panel, and Stationary Panel*

### Panels - Stationary

Panel - Stationary / High-Performance-Low-E4® Tempered / Maple Interior					
	Unit No.	Maple Interior/ White Exterior	Maple Interior/ Terratone Exterior	Maple Interior/ Sandtone Exterior	Maple Interior/ Forest Green Exterior
	<b>FWO2168S</b>	By description	By description	By description	By description
	<b>FWO21611S</b>	By description	By description	By description	By description
	<b>FWO2180S</b>	By description	By description	By description	By description
	<b>FWO2768S</b>	By description	By description	By description	By description
	<b>FWO27611S</b>	By description	By description	By description	By description
	<b>FWO2780S</b>	By description	By description	By description	By description
	<b>FWO2968S</b>	By description	By description	By description	By description
	<b>FWO29611S</b>	By description	By description	By description	By description
	<b>FWO2980S</b>	By description	By description	By description	By description
	<b>FWO3168S</b>	By description	By description	By description	By description
	<b>FWO31611S</b>	By description	By description	By description	By description
	<b>FWO3180S</b>	By description	By description	By description	By description

Panel - Stationary / High-Performance-Low-E4® Tempered / Oak Interior					
	Unit No.	Oak Interior/ White Exterior	Oak Interior/ Terratone Exterior	Oak Interior/ Sandtone Exterior	Oak Interior/ Forest Green Exterior
	<b>FWO2168S</b>	By description	By description	By description	By description
	<b>FWO21611S</b>	By description	By description	By description	By description
	<b>FWO2180S</b>	By description	By description	By description	By description
	<b>FWO2768S</b>	By description	By description	By description	By description
	<b>FWO27611S</b>	By description	By description	By description	By description
	<b>FWO2780S</b>	By description	By description	By description	By description
	<b>FWO2968S</b>	By description	By description	By description	By description
	<b>FWO29611S</b>	By description	By description	By description	By description
	<b>FWO2980S</b>	By description	By description	By description	By description
	<b>FWO3168S</b>	By description	By description	By description	By description
	<b>FWO31611S</b>	By description	By description	By description	By description
	<b>FWO3180S</b>	By description	By description	By description	By description

## Panels - Stationary

Panel - Stationary / High-Performance-Low-E4® Tempered / Interior White		
	Unit No.	White Interior / White Exterior
	<b>FWO2168S</b>	By description
	<b>FWO21611S</b>	By description
	<b>FWO2180S</b>	By description
	<b>FWO2768S</b>	By description
	<b>FWO27611S</b>	By description
	<b>FWO2780S</b>	By description
	<b>FWO2968S</b>	By description
	<b>FWO29611S</b>	By description
	<b>FWO2980S</b>	By description
	<b>FWO3168S</b>	By description
	<b>FWO31611S</b>	By description
	<b>FWO3180S</b>	By description

Panel - Stationary / High-Performance-Low-E4® Sun 3 Tempered / Pine Interior				
	Unit No.	Pine Interior/ White Exterior	Pine Interior/ Terratone Exterior	Pine Interior/ Sandtone Exterior
	<b>FWO2168S</b>	By description	By description	By description
	<b>FWO21611S</b>	By description	By description	By description
	<b>FWO2180S</b>	By description	By description	By description
	<b>FWO2768S</b>	By description	By description	By description
	<b>FWO27611S</b>	By description	By description	By description
	<b>FWO2780S</b>	By description	By description	By description
	<b>FWO2968S</b>	By description	By description	By description
	<b>FWO29611S</b>	By description	By description	By description
	<b>FWO2980S</b>	By description	By description	By description
	<b>FWO3168S</b>	By description	By description	By description
	<b>FWO31611S</b>	By description	By description	By description
	<b>FWO3180S</b>	By description	By description	By description



## 400 Series Frenchwood® Outswing Doors (1997 to 2016)

*Single Panel, 2-Panel, and Stationary Panel*

### Panels - Stationary

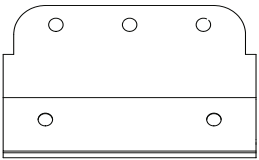
Panel - Stationary / High-Performance-Low-E4® Sun 3 Tempered / Maple Interior				
	Unit No.	Maple Interior/ White Exterior	Maple Interior/ Terratone Exterior	Maple Interior/ Sandtone Exterior
	<b>FWO2168S</b>	By description	By description	By description
	<b>FWO21611S</b>	By description	By description	By description
	<b>FWO2180S</b>	By description	By description	By description
	<b>FWO2768S</b>	By description	By description	By description
	<b>FWO27611S</b>	By description	By description	By description
	<b>FWO2780S</b>	By description	By description	By description
	<b>FWO2968S</b>	By description	By description	By description
	<b>FWO29611S</b>	By description	By description	By description
	<b>FWO2980S</b>	By description	By description	By description
	<b>FWO3168S</b>	By description	By description	By description
	<b>FWO31611S</b>	By description	By description	By description
	<b>FWO3180S</b>	By description	By description	By description

Panel - Stationary / High-Performance-Low-E4® Sun 3 Tempered / Oak Interior				
	Unit No.	Oak Interior/ White Exterior	Oak Interior/ Terratone Exterior	Oak Interior/ Sandtone Exterior
	<b>FWO2168S</b>	By description	By description	By description
	<b>FWO21611S</b>	By description	By description	By description
	<b>FWO2180S</b>	By description	By description	By description
	<b>FWO2768S</b>	By description	By description	By description
	<b>FWO27611S</b>	By description	By description	By description
	<b>FWO2780S</b>	By description	By description	By description
	<b>FWO2968S</b>	By description	By description	By description
	<b>FWO29611S</b>	By description	By description	By description
	<b>FWO2980S</b>	By description	By description	By description
	<b>FWO3168S</b>	By description	By description	By description
	<b>FWO31611S</b>	By description	By description	By description
	<b>FWO3180S</b>	By description	By description	By description

## Panels - Stationary

Panel - Stationary / High-Performance-Low-E4® Sun 3 Tempered / Interior White		
	Unit No.	White Interior / White Exterior
	FWO2168S	By description
	FWO21611S	By description
	FWO2180S	By description
	FWO2768S	By description
	FWO27611S	By description
	FWO2780S	By description
	FWO2968S	By description
	FWO29611S	By description
	FWO2980S	By description
	FWO3168S	By description
	FWO31611S	By description
FWO3180S	By description	

Panel - High-Performance Sun II Tempered
<p><b>Note:</b> Available by description.</p>

Stationary Panel Clips		
Stationary Panel Clips		
	Type	Order No
	Standard	3621206
	Coastal (IR)	3623000

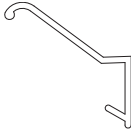
# 400 Series Frenchwood® Outswing Doors (1997 to 2016)

Single Panel, 2-Panel, and Stationary Panel

## Shared Panel Parts

### Water Bars

Water Bars Ref. No. 4 [page 13](#) and [page 14](#) and [page 27](#) and [page 37](#)

		<b>Unit No.</b>	<b>Dimensions</b>	<b>Gray</b>
		<b>FWO21</b>	22 <sup>13</sup> / <sub>16</sub>	2578568
		<b>FWO27</b>	28 <sup>7</sup> / <sub>16</sub>	2578569
		<b>FWO29</b>	30 <sup>7</sup> / <sub>16</sub>	2578570
		<b>FWO31</b>	34 <sup>7</sup> / <sub>16</sub>	2578571

### Weatherstrip - Gasket

**Note:**

Active, passive, and stationary panels use the same gasket weatherstrip. Weatherstrip replacement on passive panels requires the astragal to be removed.

See [Weatherstrip Replacement Video](#).

Weatherstrip - Gasket Ref. No. 3 [page 13](#) and [page 14](#) and [page 27](#) and [page 37](#)

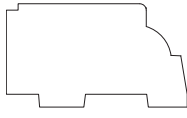
		<b>Unit No.</b>	<b>Gray</b>	<b>Unit No.</b>	<b>Gray</b>
		<b>FWO2168</b>	2578290	<b>FWO2968</b>	2579028
		<b>FWO21611</b>	2578291	<b>FWO29611</b>	2579029
		<b>FWO2180</b>	2578292	<b>FWO2980</b>	2579030
		<b>FWO2768</b>	2579025	<b>FWO3168</b>	2579031
		<b>FWO27611</b>	2579026	<b>FWO31611</b>	2579032
		<b>FWO2780</b>	2579027	<b>FWO3180</b>	2579033

### Panel Glazing Stops

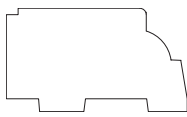
**Note:**

When replacing white stops all four sides must be replaced.

Panel Glazing Stop - Rail Ref. No. 1 [page 13](#) and [page 14](#) and [page 27](#) and [page 37](#)

	<b>Unit No.</b>	<b>Dimensions</b>	<b>Pine</b>	<b>Maple</b>	<b>Oak</b>	<b>Interior White</b>
	<b>FWO21</b>	13 <sup>21</sup> / <sub>32</sub>	2578801	2578847	2578840	2578880
	<b>FWO27</b>	19 <sup>9</sup> / <sub>32</sub>	2578802	2578848	2578841	2578881
	<b>FWO29</b>	21 <sup>9</sup> / <sub>32</sub>	2578804	2578849	2578842	2578882
	<b>FWO31</b>	25 <sup>9</sup> / <sub>32</sub>	2578806	2578850	2578843	2578883

Panel Glazing Stop - Stile Ref. No. 2 [page 13](#) and [page 14](#) and [page 27](#) and [page 37](#)

	<b>Unit No.</b>	<b>Dimensions</b>	<b>Pine</b>	<b>Maple</b>	<b>Oak</b>	<b>Interior White</b>
	<b>FWO68</b>	65 <sup>3</sup> / <sub>16</sub>	2578808	2578851	2578844	2578884
	<b>FWO611</b>	68 <sup>1</sup> / <sub>16</sub>	2578821	2578852	2578845	2578885
	<b>FWO80</b>	81 <sup>3</sup> / <sub>16</sub>	2578820	2578853	2578846	2578886

## Insect Screens

### Insect Screens / Retractable / (2007 - 2016)

**Note:**

See [Accessory Guide 0005480](#) for single.

See [Accessory Guide 0005479](#) for double.

#### Insect Screen - Retractable / Single (June 2007 to 2016)

Unit No.	White		Gold Dust		Pine	
	Left	Right	Left	Right	Left	Right
<b>FWO2768</b>	2530012	2530024	By description	By description	By description	By description
<b>FWO27611</b>	2530013	2530025	By description	By description	By description	By description
<b>FWO2780</b>	2530014	2530026	By description	By description	By description	By description
<b>FWO2968</b>	2530015	2530027	By description	By description	By description	By description
<b>FWO29611</b>	2530016	2530028	By description	By description	By description	By description
<b>FWO2980</b>	2530017	2530029	By description	By description	By description	By description
<b>FWO3168</b>	2530018	2530030	By description	By description	By description	By description
<b>FWO31611</b>	2530019	2530031	By description	By description	By description	By description
<b>FWO3180</b>	2530020	2530032	By description	By description	By description	By description

#### Insect Screen - Retractable / Single (June 2007 to 2016)

Unit No.	Oak		Maple	
	Left	Right	Left	Right
<b>FWOD2768</b>	By description	By description	By description	By description
<b>FWOD27611</b>	By description	By description	By description	By description
<b>FWOD2780</b>	By description	By description	By description	By description
<b>FWOD2968</b>	By description	By description	By description	By description
<b>FWOD29611</b>	By description	By description	By description	By description
<b>FWOD2980</b>	By description	By description	By description	By description
<b>FWOD3168</b>	By description	By description	By description	By description
<b>FWOD31611</b>	By description	By description	By description	By description
<b>FWOD3180</b>	By description	By description	By description	By description

#### Insect Screen - Retractable / Double (June 2007 to 2016)

Unit No.	White	Gold Dust	Pine	Oak	Maple
<b>FWOD4168</b>	2530033	By description	By description	By description	By description
<b>FWOD41611</b>	2530034	By description	By description	By description	By description
<b>FWOD4180</b>	2530035	By description	By description	By description	By description
<b>FWOD5068</b>	2530036	By description	By description	By description	By description
<b>FWOD50611</b>	2530037	By description	By description	By description	By description
<b>FWOD5080</b>	2530038	By description	By description	By description	By description
<b>FWOD5468</b>	2530039	By description	By description	By description	By description
<b>FWOD54611</b>	2530040	By description	By description	By description	By description
<b>FWOD5480</b>	2530041	By description	By description	By description	By description
<b>FWOD6068</b>	2530042	By description	By description	By description	By description
<b>FWOD60611</b>	2530043	By description	By description	By description	By description
<b>FWOD6080</b>	2530044	By description	By description	By description	By description

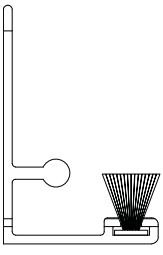
# 400 Series Frenchwood® Outswing Doors (1997 to 2016)

Single Panel, 2-Panel, and Stationary Panel

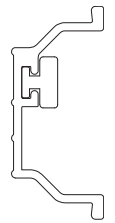
## Insect Screens

### Insect Screens Parts / Retractable / (2007 - 2016)

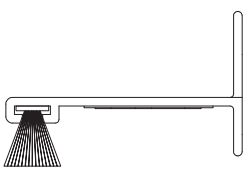
#### Track - Bottom / Insect Screen / Retractable (June 2007 to 2016)

 <b>F</b>	Unit No.	Length	White	Gray	Gold Dust
	<b>FWO27</b>	26 <sup>1</sup> / <sub>16</sub>	2562471	9017282	9018538
	<b>FWO29</b>	28 <sup>1</sup> / <sub>16</sub>	2562472	9017283	9018539
	<b>FWO31</b>	32 <sup>1</sup> / <sub>16</sub>	2562473	9017284	9018540
	<b>FWO33</b>	34 <sup>1</sup> / <sub>16</sub>	9008407	9017285	9018541
	<b>FWO41</b>	42 <sup>1</sup> / <sub>16</sub>	2562474	9017287	9018543
	<b>FWO50</b>	53 <sup>1</sup> / <sub>4</sub>	2562475	9017288	9018544
	<b>FWO54</b>	57 <sup>1</sup> / <sub>4</sub>	2562476	9017289	9018545
	<b>FWO60</b>	65 <sup>1</sup> / <sub>4</sub>	2562477	9017290	9018546

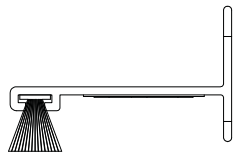
#### Track - Side / Insect Screen / Retractable (June 2007 to 2016)

	Unit No.	Length	White	Gray	Gold Dust
	<b>FWO68</b>	77 <sup>1</sup> / <sub>16</sub>	2562478	9017292	9018548
	<b>FWO611</b>	79 <sup>15</sup> / <sub>16</sub>	2562479	9017293	9018549
	<b>FWO80</b>	93 <sup>1</sup> / <sub>16</sub>	2562480	9017295	9018551

#### Track - Top / Exterior / Single / Insect Screen / Retractable (June 2007 to 2016)

	Unit No.	Length	White	Gray	Gold Dust
	<b>FWO27</b>	25 <sup>3</sup> / <sub>4</sub>	2562486	9017296	9018552
	<b>FWO29</b>	27 <sup>3</sup> / <sub>4</sub>	2562487	9017297	9018553
	<b>FWO31</b>	31 <sup>3</sup> / <sub>4</sub>	2562488	9017298	9018554

#### Track - Top / Exterior / Double / Insect Screen / Retractable (June 2007 to 2016)

	Unit No.	Length	White	Gray	Gold Dust
	<b>FWO41</b>	42 <sup>1</sup> / <sub>16</sub>	2562481	9017301	9018557
	<b>FWO50</b>	53 <sup>1</sup> / <sub>4</sub>	2562482	9017302	9018558
	<b>FWO54</b>	57 <sup>1</sup> / <sub>4</sub>	2562483	9017303	9018559
	<b>FWO60</b>	65 <sup>1</sup> / <sub>4</sub>	2562484	9017304	9018560

## Insect Screens

### Track - Top / Interior / Single / Insect Screen / Retractable (June 2007 to 2016)

**Note:**

Assembly required for wood finish track. See [Accessory Guide 0005480](#).

	Unit No.	Length	White	Gold Dust	Pine	Oak	Maple
	<b>FWO27</b>	25 3/4	2562494	9018562	9017306	9017310	9017314
	<b>FWO29</b>	27 3/4	2562495	9018563	9017307	9017311	9017315
	<b>FWO31</b>	31 3/4	2562496	9018564	9017308	9017312	9017316

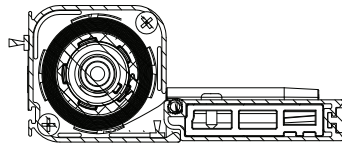
### Track - Top / Interior / Double / Insect Screen / Retractable (June 2007 to 2016)

**Note:**

Assembly required for wood finish track. See [Accessory Guide 0005479](#).

	Unit No.	Length	White	Gold Dust	Pine	Oak	Maple
	<b>FWO41</b>	42 1/16	2562489	9018567	9017319	9017325	9017331
	<b>FWO50</b>	53 1/4	2562490	9018568	9017320	9017326	9017332
	<b>FWO54</b>	57 1/4	2562491	9018569	9017321	9017327	9017333
	<b>FWO60</b>	65 1/4	2562492	9018570	9017322	9017328	9017334

### Canister Assembly - Insect Screen / Retractable / Single (June 2007 to 2016)



**Assembly Includes:**

Canister, cap retainers, spindle, screen core and cloth, tension spring, slide bar.

Unit No.	White		Gold Dust		Pine		Oak		Maple	
	Left	Right	Left	Right	Left	Right	Left	Right	Left	Right
<b>FWO68</b>	2562373	2562376	9018572	9018576	9017336	9017348	9017340	9017352	9017344	9017356
<b>FWO611</b>	2562374	2562377	9018573	9018577	9017337	9017349	9017341	9017353	9017345	9017357
<b>FWO80</b>	2562375	2562378	9018575	9018579	9017339	9017351	9017343	9017355	9017347	9017359

### Canister Assembly - Insect Screen / Retractable / Double (June 2007 to 2016)

**Note:**

Handing determined by location on unit from exterior. Double doors use a left and right assembly.

**Assembly Includes:**

Canister, cap retainers, spindle, screen core and cloth, tension spring, slide bar

Unit No.	White		Gold Dust		Pine		Oak		Maple	
	Left	Right	Left	Right	Left	Right	Left	Right	Left	Right
<b>FWO68</b>	2562367	2562370	9018580	9018584	9017360	9017372	9017364	9017376	9017368	9017380
<b>FWO611</b>	2562368	2562371	9018581	9018585	9017361	9017373	9017365	9017377	9017369	9017381
<b>FWO80</b>	2562369	2562372	9018583	9018587	9017363	9017375	9017367	9017379	9017371	9017383

# 400 Series Frenchwood® Outswing Doors (1997 to 2016)

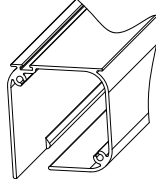
Single Panel, 2-Panel, and Stationary Panel

## Insect Screens

### Canister - Insect Screen / Retractable

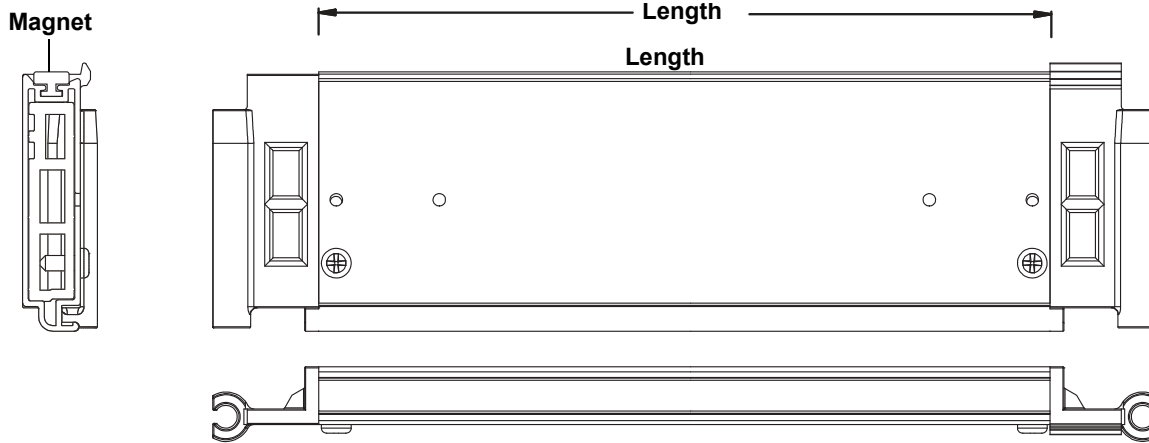
**Note:**

Replacement canisters with interior wood finishes are handed, painted canisters are not handed. Handing is determined by the location of the canister as viewed from the interior.



Unit No.	White		Gold Dust		Pine		Oak		Maple	
	Left	Right	Left	Right	Left	Right	Left	Right	Left	Right
<b>FWO68</b>	2562352		9018588		9017384	9069363	9017388	9069366	9017392	9069369
<b>FWO611</b>	2562353		9018589		9017385	9069364	9017389	9069367	9017393	9069370
<b>FWO80</b>	2562354		9018591		9017387	9069365	9017391	9069368	9017393	9069371

### Slide Bar Assembly - Single / Insect Screen / Retractable (June 2007 to 2016)



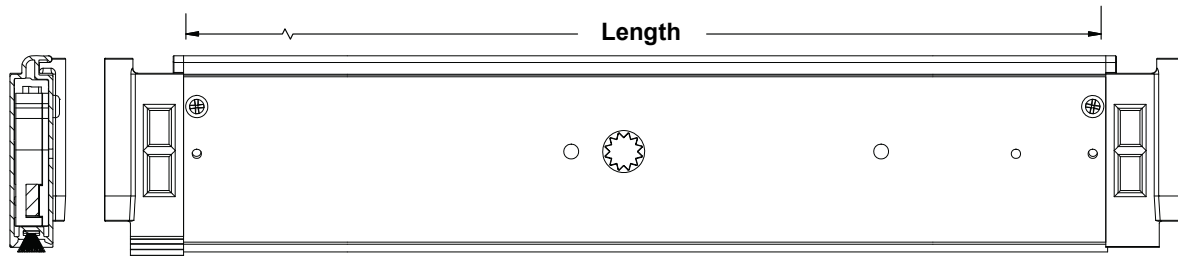
**Includes:**

Slide bar, slide body, magnetic strip, and screws

Unit No.	Length	White		Gold Dust		Pine		Oak		Maple	
		Left	Right	Left	Right	Length Left	Right	Left	Right	Left	Right
<b>FWO68</b>	75 <sup>3</sup> / <sub>16</sub>	2562446	2562443	9018592	9018596	9017396	9017408	9017400	9017412	9017404	9017416
<b>FWO611</b>	78 <sup>1</sup> / <sub>16</sub>	2562447	2562444	9018593	9018597	9017397	9017409	9017401	9017413	9017405	9017417
<b>FWO80</b>	91 <sup>3</sup> / <sub>16</sub>	2562448	2562445	9018595	9018599	9017399	9017411	9017403	9017415	9017407	9017419

## Insect Screens

### Slide Bar Assembly - Double / Insect Screen / Retractable (June 2007 to 2016)

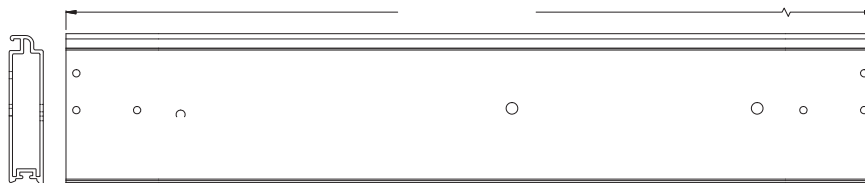


**Includes:**

Slide bar, slide body, lock actuator, bug seal, and screws.

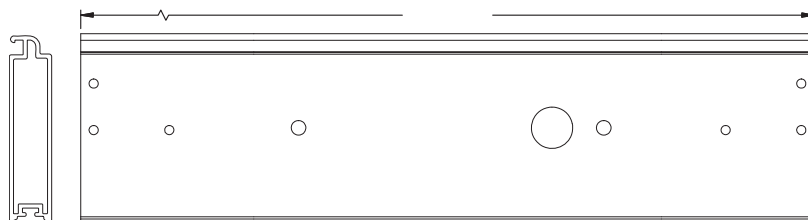
Unit No.	Length	White		Gold Dust		Pine		Oak		Maple	
		Left	Right	Left	Right	Left	Right	Left	Right	Left	Right
<b>FWO68</b>	75 <sup>3</sup> / <sub>16</sub>	2562440	2562437	9018600	9018604	9017420	9017432	9017424	9017436	9017428	9017440
<b>FWO611</b>	78 <sup>1</sup> / <sub>16</sub>	2562441	2562438	9018601	9018605	9017421	9017433	9017425	9017437	9017429	9017441
<b>FWO80</b>	91 <sup>3</sup> / <sub>16</sub>	2562442	2562439	9018603	9018607	9017423	9017435	9017427	9017439	9017431	9017443

### Slide Bar - Single / Insect Screen / Retractable (June 2007 to 2016)



Unit No.	Length	White		Gold Dust		Pine		Oak		Maple	
		Left	Right	Left	Right	Left	Right	Left	Right	Left	Right
<b>FWO68</b>	75 <sup>3</sup> / <sub>16</sub>	2562428	2562502	9018608	9018612	9017444	9017456	9017448	9017460	9017452	9017464
<b>FWO611</b>	78 <sup>1</sup> / <sub>16</sub>	2562429	2562503	9018609	9018613	9017445	9017457	9017449	9017461	9017453	9017465
<b>FWO80</b>	91 <sup>3</sup> / <sub>16</sub>	2562430	2562504	9018611	9018615	9017447	9017459	9017451	9017463	9017455	9017467

### Slide Bar - Double / Insect Screen / Retractable (June 2007 to 2016)



Unit No.	Length	White		Gold Dust		Pine		Oak		Maple	
		Left	Right	Left	Right	Left	Right	Left	Right	Left	Right
<b>FWO68</b>	75 <sup>3</sup> / <sub>16</sub>	2562505	2562508	9018616	9018620	9017468	9017480	9017472	9017484	9017476	9017488
<b>FWO611</b>	78 <sup>1</sup> / <sub>16</sub>	2562506	2562509	9018617	9018621	9017469	9017481	9017473	9017485	9017477	9017489
<b>FWO80</b>	91 <sup>3</sup> / <sub>16</sub>	2562507	2562510	9018619	9018623	9017471	9017483	9017475	9017487	9017479	9017491



# 400 Series Frenchwood® Outswing Doors (1997 to 2016)

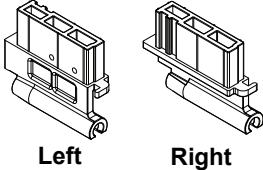
Single Panel, 2-Panel, and Stationary Panel

## Insect Screens

### Slide body - Insect Screen / Retractable (June 2007 to 2016)

**Note:**

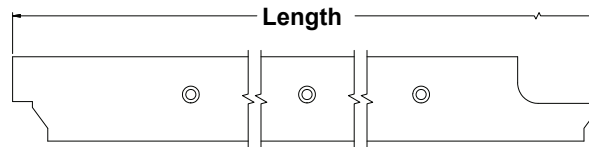
A left hand screen will use a left hand slide body on the sill and a right hand slide body on the head. A right hand screen will use a right hand slide body on the sill and a left hand slide body on the head.

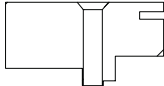
 Left      Right	White		Sandtone		Gold Dust	
	Left	Right	Left	Right	Left	Right
	2562449	2562450	0916056	0916057	9020121	9018530

### Track Filler - Bottom / Single / Insect Screen / Retractable (June 2007 to 2016)

**Note:**

Top view shown.

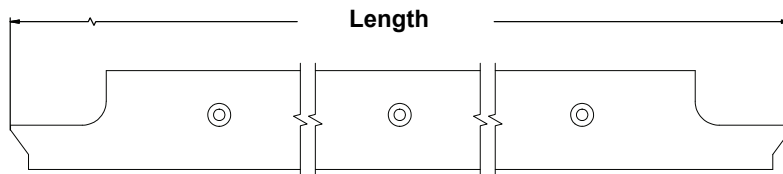


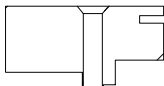
 Profile	Unit No.	Length	Oak	
			Left	Right
	<b>FWO27</b>	27 <sup>9</sup> / <sub>16</sub>	2562387	2562515
	<b>FWO29</b>	29 <sup>9</sup> / <sub>16</sub>	2562388	2562516
	<b>FWO31</b>	33 <sup>9</sup> / <sub>16</sub>	2562389	2562517

### Track Filler - Bottom / Double / Insect Screen / Retractable (June 2007 to 2016)

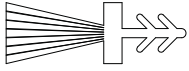
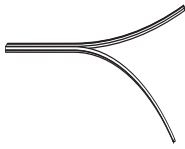
**Note:**

Top view shown.



 Profile	Unit No.	Length	Oak
	<b>FWO41</b>	45 <sup>9</sup> / <sub>16</sub>	2562382
	<b>FWO50</b>	56 <sup>3</sup> / <sub>8</sub>	2562383
	<b>FWO54</b>	60 <sup>3</sup> / <sub>8</sub>	2562384
	<b>FWO60</b>	68 <sup>3</sup> / <sub>8</sub>	2562385

## Insect Screens

<b>Bug Pile, Barbed Spacer</b> <i>(June 2007 to 2016)</i>		
	<b>Note:</b> Order by the foot.	<b>Gray</b>
		2562340
<b>Weatherstrip - Insect Screen / Pile</b> <i>(June 2007 to 2016)</i>		
	<b>Note:</b> Order by the foot.	<b>Gray</b>
		2573398

# 400 Series Frenchwood® Outswing Doors (1997 to 2016)


Single Panel, 2-Panel, and Stationary Panel

## Insect Screens

### Insect Screen Cloth with Core - Retractable (June 2007 to 2016)

**Note:**

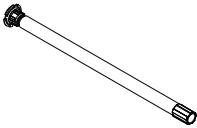
Handing determined by location on unit as viewed from the exterior.

	Unit No.	Length	Left	Right
	FWO68	77 <sup>7</sup> / <sub>16</sub>	2562409	2562524
	FWO611	80 <sup>5</sup> / <sub>16</sub>	2562410	2562525
	FWO80	93 <sup>7</sup> / <sub>16</sub>	2562411	2562526

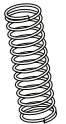
### Magnet - Side Bar - Insect Screen / Retractable (June 2007 to 2016)

	Note:	Unit No.	Length	Order No.
	Ships as a pair. Cut to size.	FWO80	95"	2573360

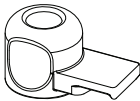
### Spring - Tension / Assembly / Insect Screen / Retractable (June 2007 to 2016)

	Order No.
	2562457

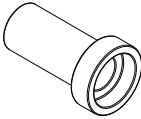
### Spring - Pull Turn Knob / Insect Screen / Retractable (June 2007 to 2016)

	Order No.
	2562453

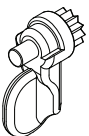
### Pull Turn Knob - Insect Screen / Retractable (June 2007 to 2016)

	Color	Order No.
	White	2562396
	Gold Dust	9017492
	Sandtone	9017493

### Bushing - Pull Turn Knob / Insect Screen / Retractable (June 2007 to 2016)

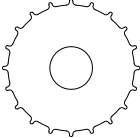
	Color	Order No.
	White	2562348
	Gold Dust	9017494
	Sandtone	9017495

### Thumb Latch - Insect Screen / Retractable (June 2007 to 2016)

	Color	Order No.
	White	2562397
	Gold Dust	9017496
	Sandtone	9017497

## Insect Screens

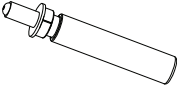
### Spline - Insect Screen / Retractable *(June 2007 to 2016)*

		<b>Order No.</b>
		2562452


### Spindle - End Cap / Insect Screen / Retractable *(June 2007 to 2016)*

		<b>Order No.</b>
		2562451

### Dampener - Insect Screen / Retractable *(June 2007 to 2016)*

		<b>White</b>
		2562379

### Handle - Insect Screen / Retractable *(June 2007 to 2016)*

		<b>Color</b>	<b>Order No.</b>
		White	2562390
		Terratone	2605152
		Sandtone	0916037
		Forest Green	1232843

### Hardware Package / Insect Screen / Retractable *(June 2007 to 2016)*

<b>Singe Hardware Pack:</b> See <a href="#">Accessory Guide 0005480</a>  <b>Double Hardware Pack:</b> See <a href="#">Accessory Guide 0005479</a>	<b>Color</b>	<b>Single</b>	<b>Double</b>
	White	2562394	2562393
	Gold Dust	9017500	9017994
	Sandtone	9017501	9017995
	Sandtone-Wood	9034905	9034906

### Screw

	<b>Description</b>	<b>Order No.</b>
	8 x 1 1/2 brass PH FL	2562415

### Screw

	<b>Description</b>	<b>Order No.</b>
	8-32 x 2 1/2 PH oval STL	2562416

### Screw

	<b>Description</b>	<b>Order No.</b>
	8-32 x 1 PH pan Typ F	2562418

# 400 Series Frenchwood® Outswing Doors (1997 to 2016)

Single Panel, 2-Panel, and Stationary Panel

## Insect Screens

### Insect Screens / Retractable / (5/2003 - 5/2007)

#### Insect Screen - Retractable (May 2003 to May 2007)

**Note:**

No longer available. Use retractable insect screens, June 2007 to 2016 for replacement.

### Insect Screen Parts / Retractable / (5/2003 - 5/2007)

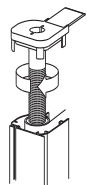
#### Canister (May 2003 to May 2007)

	<b>Note:</b> Includes tube only, no contents. If replacing a screen canister prior to 8/2002, you need to also replace the spindle with bushing, tension spring, and end caps	Unit No.	Order No.
		68	2573117
		611	2573116
		80	2573115

#### Cloth with Core (May 2003 to May 2007)

	<b>Note:</b> Screen cloth 72" wide.	Unit No.	Order No.
		68	2573122
		611	2573121
		80	2573120


#### Spindle with Bushing - Quick Release (May 2003 to May 2007)

		Order No.
		2573128

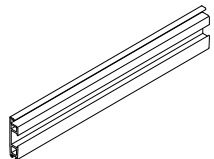
#### Tension Spring Assembly (May 2003 to May 2007)

	Order No.
	2573119

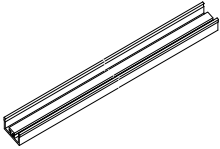
#### End Caps - Canister (Pair) (May 2003 to May 2007)

	Order No.
	2573118

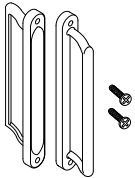
#### Sliding Bar (May 2003 to May 2007)

	<b>Note:</b> Retractable screen with screen spline.	Unit No.	Order No.
		68	2573125
		611	2573126
		80	2573127

## Insect Screens

<b>Side Track</b> (May 2003 to May 2007)			
		<b>Unit No.</b>	<b>Order No.</b>
		68	2573397
		611	2573396
		80	2573395

<b>Magnets - Side Track (Pair)</b> (May 2003 to May 2007)				
	<b>Note:</b> Ships as a pair. Cut to size.	<b>Unit No.</b>	<b>Length</b>	<b>Order No.</b>
		FWO80	95"	2573360

<b>Handle with Screws - Insect Screen / Universal (Pair)</b> (May 2003 to May 2007)		
		<b>White</b>
		2573124

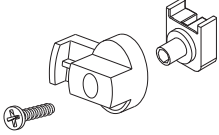
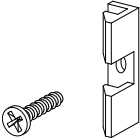
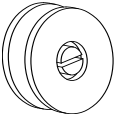
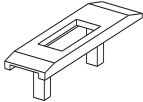
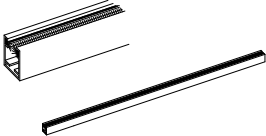
<b>Hardware Package - Retractable Insect Screen / Exterior</b> (May 2003 to May 2007)			
	<b>Kit includes:</b> 4 #8 x 1 1/2" brass flat head phillips screws 1 #6 x 1" white round head phillips screw 11 #7 x 1" black pan head screws 2 #8 x 1/2" white pan head screws 1 White curved handle 1 White retainer lock 1 Pile separator, 1 1/2" LDPE 3 Clip attachments	<b>Unit No.</b>	<b>Order No.</b>
		FWO	2579394

<b>Retainer - Latch Wheel</b> (May 2003 to May 2007)			
		<b>Unit No.</b>	<b>Order No.</b>
		FWO	2573129

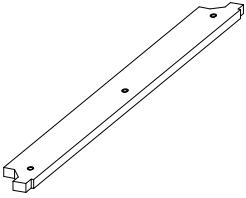
# 400 Series Frenchwood® Outswing Doors (1997 to 2016)

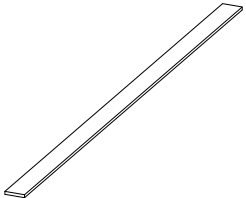
Single Panel, 2-Panel, and Stationary Panel

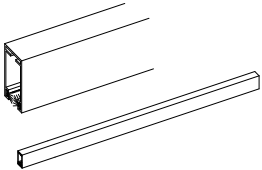
## Insect Screens

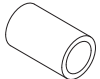
<b>Latch Assembly with Screw and Retainer</b> (May 2003 to May 2007)			
		<b>Unit No.</b>	<b>Order No.</b>
		<b>FWO</b>	2573403
<b>Latch Strike - Insect Screen</b> (May 2003 to May 2007)			
			<b>Order No.</b>
			2573406
<b>Guide - Insect Screen</b> (May 2003 to May 2007)			
			<b>White</b>
			2573369
<b>End Guide - Canister (Pair)</b> (May 2003 to May 2007)			
			<b>Order No.</b>
			2573123
<b>Attachment Clip - Canister</b> (May 2003 to May 2007)			
			<b>Order No.</b>
			2573370
<b>Sill Track - Insect Screen</b> (May 2003 to May 2007)			
		<b>Unit No.</b>	<b>Order No.</b>
		<b>FWO27</b>	2573376
		<b>FWO29</b>	2573375
		<b>FWO31</b>	2573374
		<b>FWO41</b>	2573291
		<b>FWO50</b>	2573373
		<b>FWO54</b>	2573372
<b>FWO60</b>	2573371		

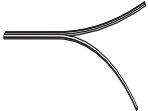
## Insect Screens

Sill Spacer - Insect Screen <i>(May 2003 to May 2007)</i>			
		Unit No.	Order No.
		FWO27	2573382
		FWO29	2573381
		FWO31	2573380
		FWO41	2573293
		FWO50	2573379
		FWO54	2573378
		FWO60	2573377

Sill Shim - Insect Screen <i>(May 2003 to May 2007)</i>			
		Unit No.	Order No.
		FWO27	2573388
		FWO29	2573387
		FWO31	2573386
		FWO41	2573295
		FWO50	2573385
		FWO54	2573384
		FWO60	2573383

Head Track - Insect Screen <i>(May 2003 to May 2007)</i>			
		Unit No.	Order No.
		FWO27	2573394
		FWO29	2573393
		FWO31	2573392
		FWO41	2573297
		FWO50	2573391
		FWO54	2573390
		FWO60	2573389

Pile Opener - Insect Screen <i>(May 2003 to May 2007)</i>			
		Unit No.	Order No.
		FWO	2573405

Weatherstrip - Insect Screen / Pile <i>(May 2003 to May 2007)</i>			
	<b>Note:</b> Order by the foot.		Gray
			2573398

Screw - Concrete		
	Description	Order No.
	3/16 x 3 1/4 (bronze head)	2573332



## 400 Series Frenchwood® Outswing Doors (1997 to 2016)

*Single Panel, 2-Panel, and Stationary Panel*

### Insect Screens

#### **Insect Screens / Retractable / (1999 - 4/2003)**

##### **Insect Screen - Retractable** (1999 to April 2003)

**Note:**

No longer available. Use retractable insect screens, June 2007 to 2016 for replacement.

## Grilles

### Interior Grilles - Custom

**Note:**

See [Accessory Guide 0005285](#). See [Interior Grille Installation Video](#). Grilles include fasteners. Interior removable grilles for custom sizes/patterns are made to order. Product ID label is located on head jamb frame cover.

To order, state:

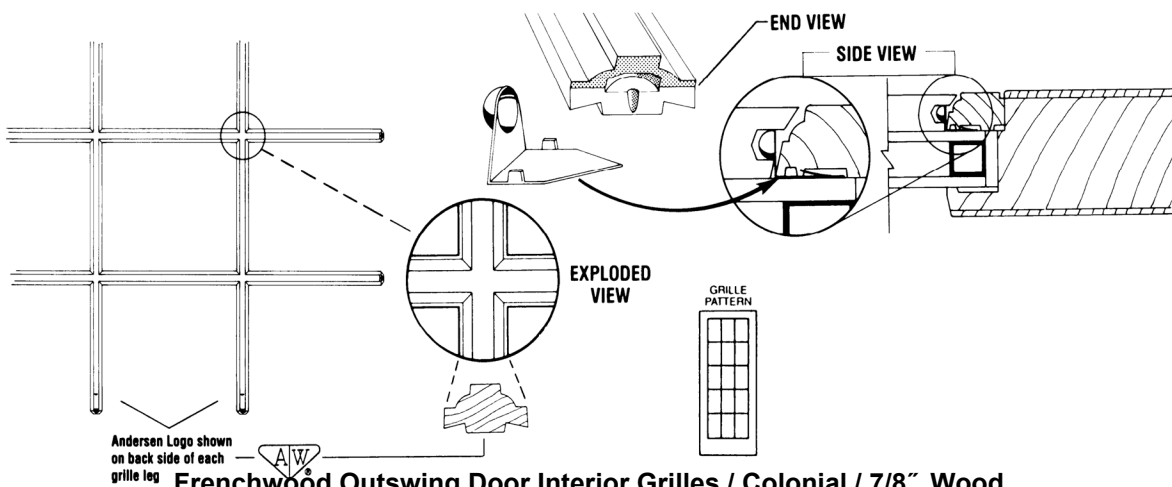
1. Description of part (Interior Grilles)
2. Quantity
3. Product ID (from product label, see [Service Guide 9051877](#)).

### Interior Grilles - Colonial / 7/8" Wood / Natural Interior

**Note:**

See [Accessory Guide 0005285](#). See [Interior Grille Installation Video](#). Grilles include fasteners.

### Interior Grilles - Colonial / 7/8" Wood / Maple



Frenchwood Outswing Door Interior Grilles / Colonial / 7/8" Wood

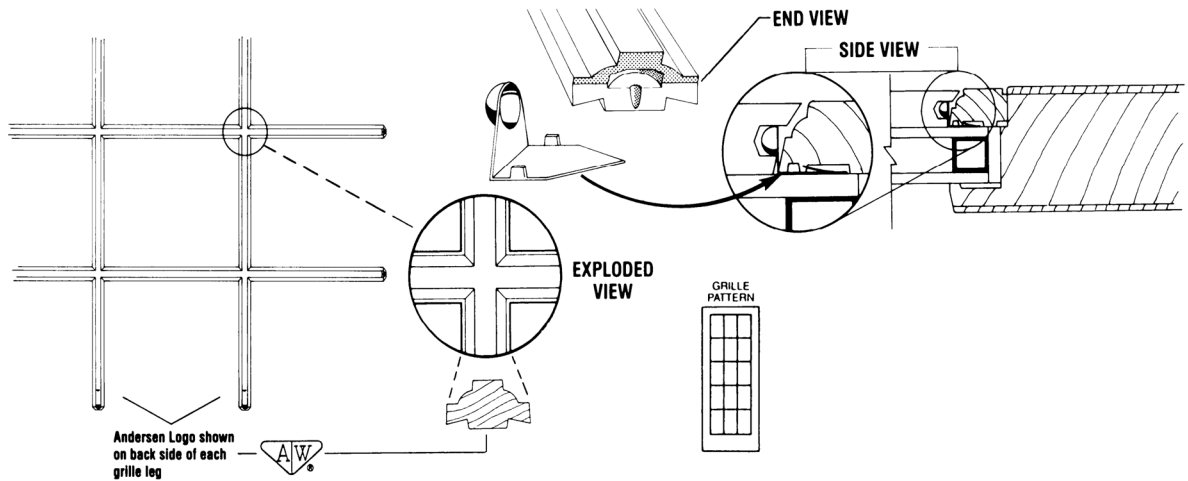
	Unit No.	Dimensions (w x h)	Color/Species			
			Exterior			
			White	Terratone	Sandtone	Forest Green
			Interior			
			MAPLE			
21	FWH2168	13 9/16 x 63 3/4	2576109	2666113	0921013	1265914
	FWH21611	13 9/16 x 66 5/8	2576111	2666114	0921014	1265915
	FWH2180	13 9/16 x 79 3/4	2576113	2666115	0921015	1265916
27	FWH2768	19 3/16 x 63 3/4	2576102	2666102	0921002	1265917
	FWH27611	19 3/16 x 66 5/8	2576103	2666103	0921003	1265918
	FWH2780	19 3/16 x 79 3/4	2576108	2666108	0921008	1265923
29	FWH2968	21 3/16 x 63 3/4	2576104	2666104	0921004	1265919
	FWH29611	21 3/16 x 66 5/8	2576105	2666105	0921005	1265920
	FWH2980	21 3/16 x 79 3/4	2576110	2666110	0921010	1265924
31	FWH3168	25 3/16 x 63 3/4	2576106	2666106	0921006	1265921
	FWH31611	25 3/16 x 66 5/8	2576107	2666107	0921007	1265922
	FWH3180	25 3/16 x 79 3/4	2576112	2666112	0921012	1265925

# 400 Series Frenchwood® Outswing Doors (1997 to 2016)

Single Panel, 2-Panel, and Stationary Panel

## Grilles

### Interior Grilles - Colonial / 7/8" Wood / Oak



Frenchwood Outswing Door Interior Grilles / Colonial / 7/8" Wood

Unit No.	Dimensions (w x h)	Color/Species				
		Exterior				
		White	Terratone	Sandtone	Forest Green	
		Interior				
		OAK				
<b>21</b>	FWH2168	13 <sup>9</sup> / <sub>16</sub> × 63 <sup>3</sup> / <sub>4</sub>	2576114	2666116	0921016	1265926
	FWH21611	13 <sup>9</sup> / <sub>16</sub> × 66 <sup>5</sup> / <sub>8</sub>	2576118	2666120	0921020	1265930
	FWH2180	13 <sup>9</sup> / <sub>16</sub> × 79 <sup>3</sup> / <sub>4</sub>	2576122	2666124	0921024	1265934
<b>27</b>	FWH2768	19 <sup>3</sup> / <sub>16</sub> × 63 <sup>3</sup> / <sub>4</sub>	2576115	2666117	0921017	1265927
	FWH27611	19 <sup>3</sup> / <sub>16</sub> × 66 <sup>5</sup> / <sub>8</sub>	2576119	2666121	0921021	1265931
	FWH2780	19 <sup>3</sup> / <sub>16</sub> × 79 <sup>3</sup> / <sub>4</sub>	2576123	2666125	0921025	1265935
<b>29</b>	FWH2968	21 <sup>3</sup> / <sub>16</sub> × 63 <sup>3</sup> / <sub>4</sub>	2576116	2666118	0921018	1265928
	FWH29611	21 <sup>3</sup> / <sub>16</sub> × 66 <sup>5</sup> / <sub>8</sub>	2576120	2666122	0921022	1265932
	FWH2980	21 <sup>3</sup> / <sub>16</sub> × 79 <sup>3</sup> / <sub>4</sub>	2576124	2666126	0921026	1265936
<b>31</b>	FWH3168	25 <sup>3</sup> / <sub>16</sub> × 63 <sup>3</sup> / <sub>4</sub>	2576117	2666119	0921019	1265929
	FWH31611	25 <sup>3</sup> / <sub>16</sub> × 66 <sup>5</sup> / <sub>8</sub>	2576121	2666123	0921023	1265933
	FWH3180	25 <sup>3</sup> / <sub>16</sub> × 79 <sup>3</sup> / <sub>4</sub>	2576125	2666127	0921027	1265937

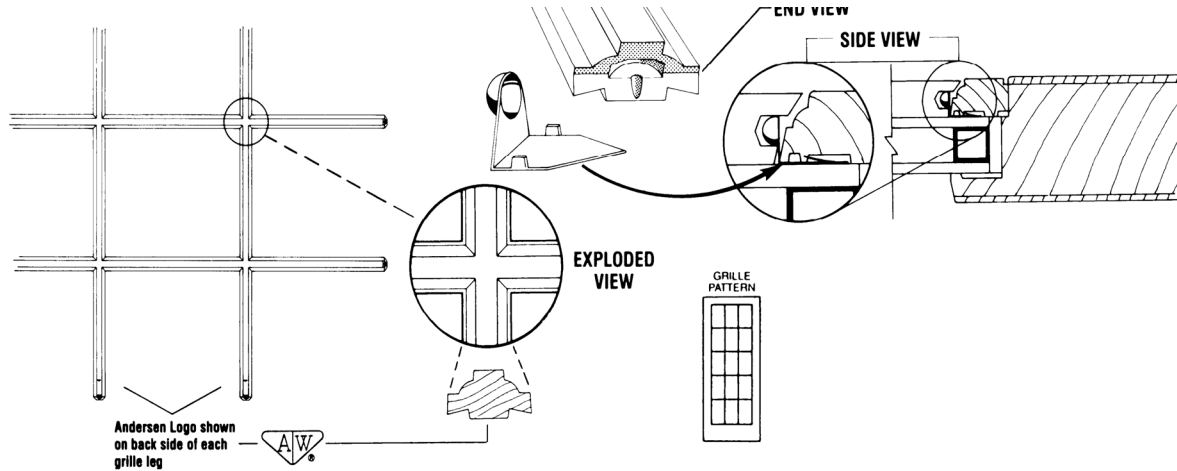
## Grilles

### Interior Grilles - Colonial / 7/8" Wood / Prefinished Interior

**Note:**

See [Accessory Guide 0005285](#). See [Interior Grille Installation Video](#). Grilles include fasteners.

### Interior Grilles - Colonial / 7/8" Wood / Prefinished Interior



**Frenchwood Outswing Door Interior Grilles / Colonial / 7/8" Wood**

Unit No.		Dimensions (w x h)	Color/Finish			
			Exterior			
			White	Terratone	Sandtone	Forest Green
		Interior				
		White	Terratone	Sandtone	Forest Green	
<b>21</b>	<b>FWH2168</b>	13 9/16 × 63 3/4	2576126	By description	By description	By description
	<b>FWH21611</b>	13 9/16 × 66 5/8	2576130	By description	By description	By description
	<b>FWH2180</b>	13 9/16 × 79 3/4	2576134	By description	By description	By description
<b>27</b>	<b>FWH2768</b>	19 3/16 × 63 3/4	2576127	By description	By description	By description
	<b>FWH27611</b>	19 3/16 × 66 5/8	2576131	By description	By description	By description
	<b>FWH2780</b>	19 3/16 × 79 3/4	2576135	By description	By description	By description
<b>29</b>	<b>FWH2968</b>	21 3/16 × 63 3/4	2576128	By description	By description	By description
	<b>FWH29611</b>	21 3/16 × 66 5/8	2576132	By description	By description	By description
	<b>FWH2980</b>	21 3/16 × 79 3/4	2576136	By description	By description	By description
<b>31</b>	<b>FWH3168</b>	25 3/16 × 63 3/4	2576129	By description	By description	By description
	<b>FWH31611</b>	25 3/16 × 66 5/8	2576133	By description	By description	By description
	<b>FWH3180</b>	25 3/16 × 79 3/4	2576137	By description	By description	By description

# 400 Series Frenchwood® Outswing Doors (1997 to 2016)

Single Panel, 2-Panel, and Stationary Panel

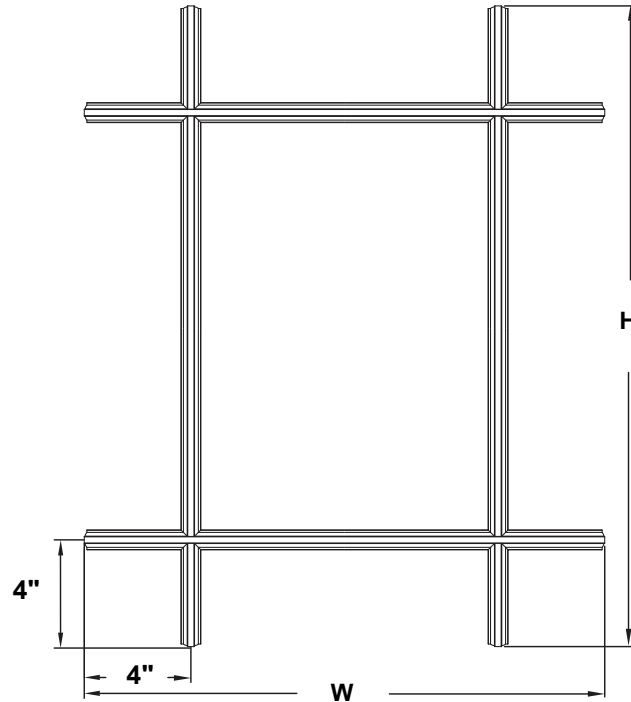
## Grilles

### Interior Grilles - Prairie A / 7/8" Wood / Natural Interior

**Note:**

See [Accessory Guide 0005285](#). See [Interior Grille Installation Video](#). Grilles include fasteners.

### Interior Grilles - Prairie A / 7/8" Wood / Maple

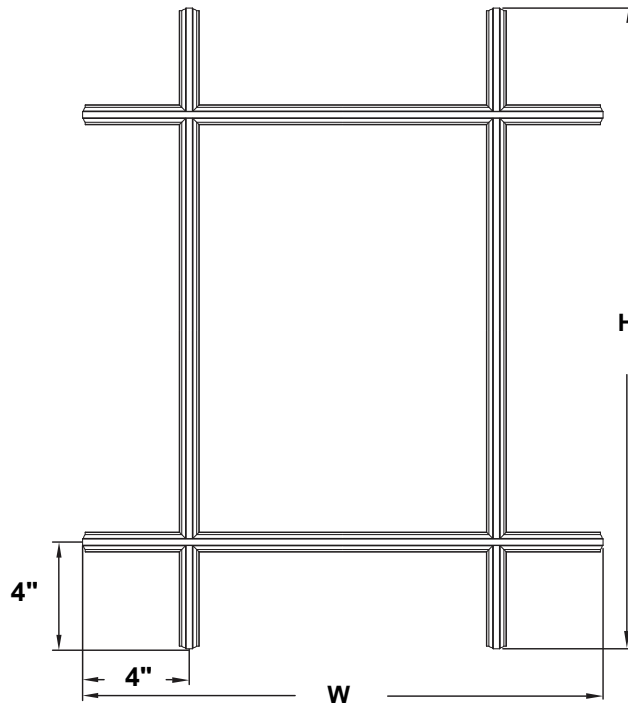


Frenchwood Outswing Door Interior Grilles / Prairie A / 7/8" Wood

Unit No.	Dimensions (w x h)	Color/Species				
		Exterior				
		White	Terratone	Sandtone	Forest Green	
		Interior				
		MAPLE				
<b>21</b>	FWH2168	13 9/16 × 63 3/4	2511294	2652708	0931027	1265956
	FWH21611	13 9/16 × 66 5/8	2511293	2652707	0931026	1265957
	FWH2180	13 9/16 × 79 3/4	2511295	2652709	0931028	1265958
<b>27</b>	FWH2768	19 3/16 × 63 3/4	2511297	2652711	0931030	1265959
	FWH27611	19 3/16 × 66 5/8	2511296	2652710	0931029	1265960
	FWH2780	19 3/16 × 79 3/4	2511298	2652712	0931031	1265961
<b>29</b>	FWH2968	21 3/16 × 63 3/4	2511301	2652714	0931033	1265962
	FWH29611	21 3/16 × 66 5/8	2511299	2652713	0931032	1265963
	FWH2980	21 3/16 × 79 3/4	2511302	2652715	0931034	1265964
<b>31</b>	FWH3168	25 3/16 × 63 3/4	2511304	2652717	0931036	1265965
	FWH31611	25 3/16 × 66 5/8	2511303	2652716	0931035	1265966
	FWH3180	25 3/16 × 79 3/4	2511305	2652718	0931037	1265967

## Grilles

### Interior Grilles - Prairie A / 7/8" Wood / Oak



### Frenchwood Outswing Door Interior Grilles / Prairie A / 7/8" Wood

Unit No.	Dimensions (w x h)	Color/Species				
		Exterior				
		White	Terratone	Sandtone	Forest Green	
		Interior OAK				
<b>21</b>	FWH2168	13 9/16 × 63 3/4	2511338	2652751	0931070	1265968
	FWH21611	13 9/16 × 66 5/8	2511337	2652750	0931069	1265969
	FWH2180	13 9/16 × 79 3/4	2511339	2652752	0931071	1265970
<b>27</b>	FWH2768	19 3/16 × 63 3/4	2511341	2652754	0931073	1265971
	FWH27611	19 3/16 × 66 5/8	2511340	2652753	0931072	1265972
	FWH2780	19 3/16 × 79 3/4	2511342	2652755	0931074	1265973
<b>29</b>	FWH2968	21 3/16 × 63 3/4	2511344	2652757	0931076	1265974
	FWH29611	21 3/16 × 66 5/8	2511343	2652756	0931075	1265975
	FWH2980	21 3/16 × 79 3/4	2511345	2652758	0931077	1265976
<b>31</b>	FWH3168	25 3/16 × 63 3/4	2511347	2652760	0931079	1265977
	FWH31611	25 3/16 × 66 5/8	2511346	2652759	0931078	1265978
	FWH3180	25 3/16 × 79 3/4	2511348	2652761	0931080	1265979

# 400 Series Frenchwood® Outswing Doors (1997 to 2016)

Single Panel, 2-Panel, and Stationary Panel

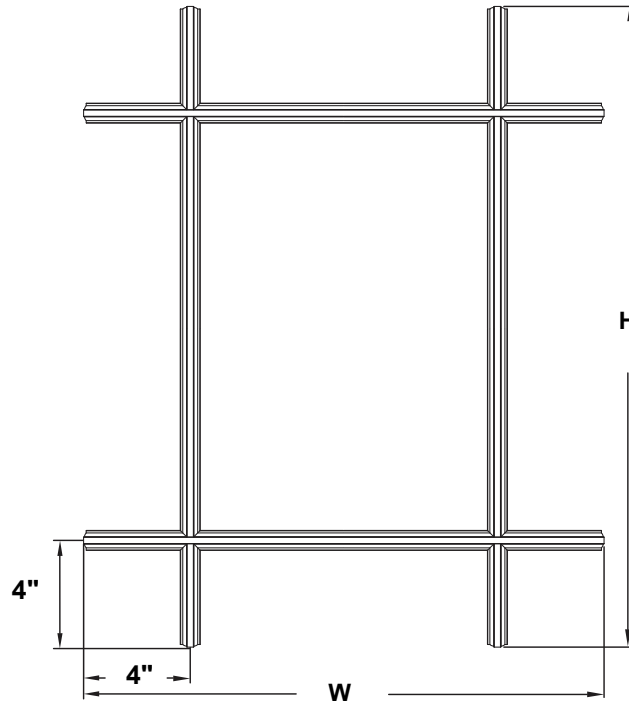
## Grilles

### Interior Grilles - Prairie A / 7/8" Wood / Prefinished Interior

**Note:**

See [Accessory Guide 0005285](#). See [Interior Grille Installation Video](#). Grilles include fasteners.

### Interior Grilles - Prairie A / 7/8" Wood / Prefinished Interior




Frenchwood Outswing Door Interior Grilles / Prairie A / 7/8" Wood

		Dimensions (w x h)	Color/Species			
			Exterior			
			White	Terratone	Sandtone	Forest Green
Unit No.			Interior			
			White	Terratone	Sandtone	Forest Green
<b>21</b>	FWH2168	13 9/16 x 63 3/4	2511251	By description	By description	By description
	FWH21611	13 9/16 x 66 5/8	2511250	By description	By description	By description
	FWH2180	13 9/16 x 79 3/4	2511252	By description	By description	By description
<b>27</b>	FWH2768	19 3/16 x 63 3/4	2511254	By description	By description	By description
	FWH27611	19 3/16 x 66 5/8	2511253	By description	By description	By description
	FWH2780	19 3/16 x 79 3/4	2511255	By description	By description	By description
<b>29</b>	FWH2968	21 3/16 x 63 3/4	2511257	By description	By description	By description
	FWH29611	21 3/16 x 66 5/8	2511256	By description	By description	By description
	FWH2980	21 3/16 x 79 3/4	2511258	By description	By description	By description
<b>31</b>	FWH3168	25 3/16 x 63 3/4	2511260	By description	By description	By description
	FWH31611	25 3/16 x 66 5/8	2511259	By description	By description	By description
	FWH3180	25 3/16 x 79 3/4	2511261	By description	By description	By description


## Grilles

### Interior Grille Parts

#### Grille Fastener

		<b>Order No.</b>
		1974314

#### Grille Installation Tool

		<b>Order No.</b>
		9019326



# 400 Series Frenchwood® Outswing Doors (1997 to 2016)

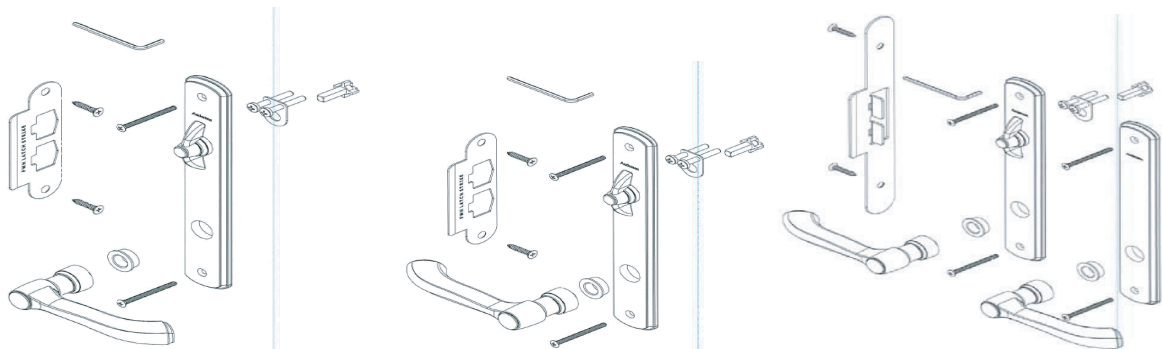
Single Panel, 2-Panel, and Stationary Panel

## Hardware

### Half Trim Set Kits - Interior

**Note:**

Interior half trim sets are available for Newbury, Covington, Encino, Yuma, Anvers, Whitmore, Tribeca, and Albany Hardware.



Albany Style Shown

Sets include:	AR	AL	AP/PA
Handle, RH Hinged*	NA	1	1
Handle, LH Hinged*	1	NA	1
Plate, Escutcheon, Inside Active Hinged	1	1	1
Plate, Escutcheon, Inside Passive Hinged	NA	NA	1
Limiting Plate	1	1	1
Actuator, Lock	1	1	1
Screw, #10 Fill HD, PH, M5X.8-35MM, Zinc	2	2	2
Screw, #8-32UNC x 2, PH Oval HD, MACH	2	2	4
1/8 Allen Wrench	1	1	1
Strike, Plate Single	1	1	NA
Strike, Plate Double	NA	NA	1
Screw, #10 x 1.000 PH FH S/M/S	2	2	2

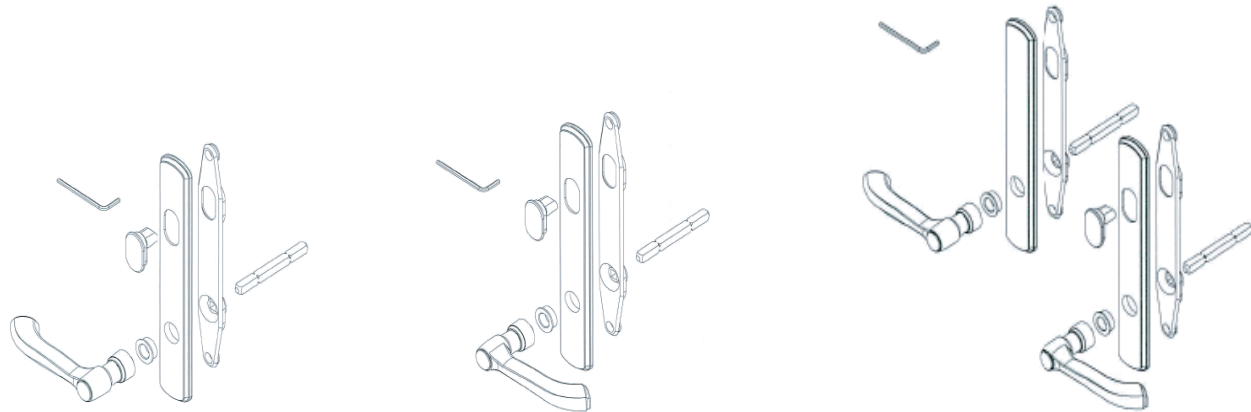
\*Pack has a RH handle for an active left door and a LH handle for an active right door and both for AP/PA.

## Hardware

### Half Trim Set Kits - Exterior

**Note:**

Exterior half trim sets are available for Newbury, Covington, Encino, Yuma, Anvers, Whitmore, Tribeca, and Albany Hardware. Tribeca includes threaded studs.



**Albany Style Shown**

Sets include:	AR	AL	AP/PA
Handle, RH Hinged*	1	N/A	1
Handle, LH Hinged*	N/A	1	1
Plate, Outside Active	1	1	1
Plate, Outside Passive	N/A	N/A	1
Gasket, Trimset	1	1	2
Straight Spindle	1	1	2
Screw, 1/4-20 UNC SS, KNURL CUP PT SET	1	1	2
Cylinder, Dummy	1	1	1
Bushing Trim Adapter	1	1	2
1/8 Allen Wrench	1	1	1

\*Pack has a LH handle for an active left door and a RH handle for an active right door and both for AP/PA.

# 400 Series Frenchwood® Outswing Doors (1997 to 2016)

Single Panel, 2-Panel, and Stationary Panel

## Hardware

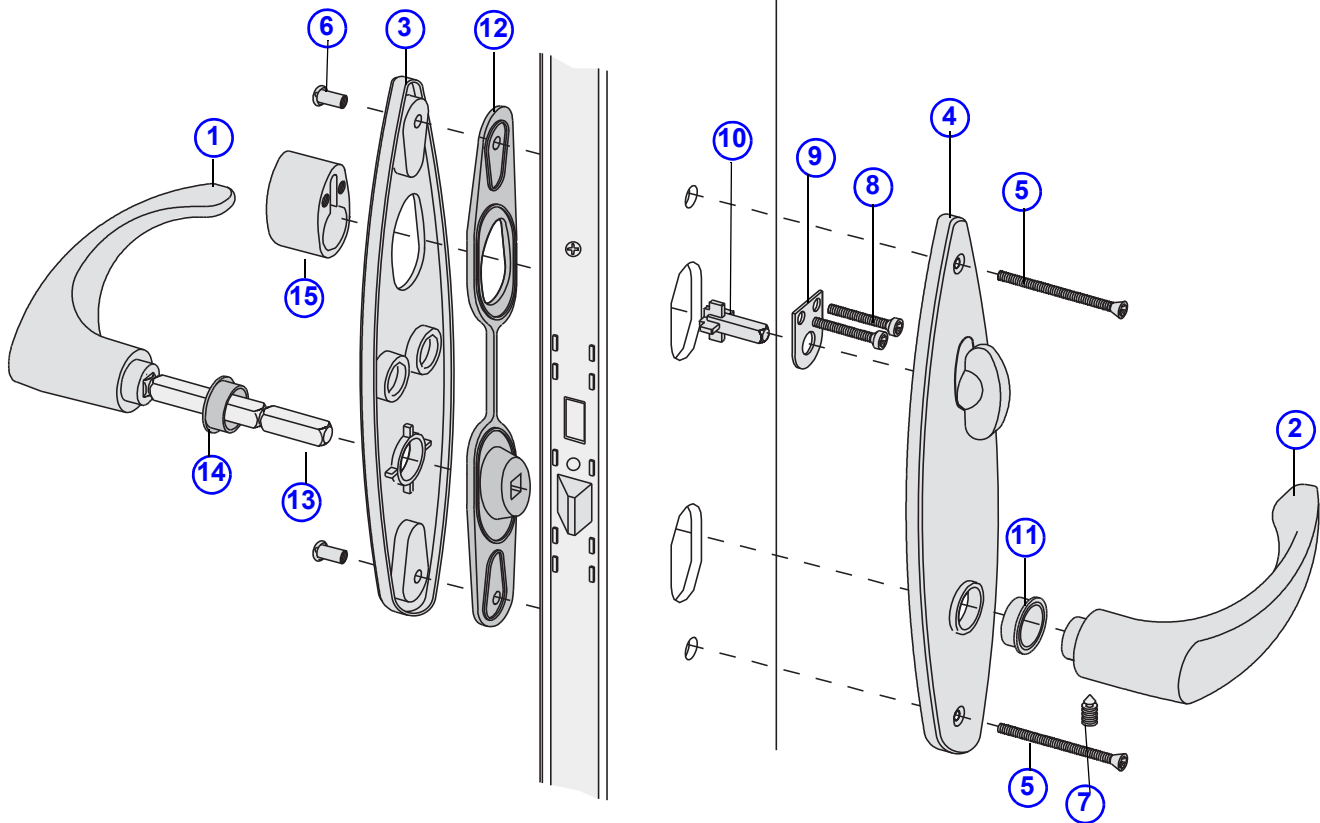
<b>Construction Trim Set</b>		
<b>Construction Trim Set - Active</b>		
	<b>Kit includes:</b> Plate, passive outside Plate, active inside (assembly) Handle, exterior (assembly) Handle, interior (assembly) Actuator, lock (assembly) Plate, limiting Screw, M5 X .8-35MM PH W/#10 Fill Head Machine, Zinc Retainer, bolt Stud, tapped Screw, #8-32 UNC X 1.625, PH W/#10 Oval Head, Machine Wrench, Allen, 1/8 Guide and instructions	<b>Order No.</b> 9020356
<b>Construction Trim Set - Passive</b>		
	<b>Kit includes:</b> Plate, passive outside Handle, exterior (assembly) Handle, interior (assembly) Stud, tapped Screw, #8-32 UNC X 1.625, PH W/#10 Oval Head, Machine Wrench, Allen, 1/8 Guide and instructions	<b>Order No.</b> 9020357

## Hardware

### Hardware - Tribeca®

**Note:**

Metro hardware on Frenchwood Hinged doors manufactured from 1999 to 2004 uses Tribeca replacement hardware. See [Accessory Guide 0005156](#).



- |   |  |                                     |
|---|--|-------------------------------------|
| 1. <a href="#">Exterior Handle (LH Shown)</a>       | 6. <a href="#">Escutcheon Plate Mounting Studs</a> | 11. <a href="#">Nylon Bushing</a>   |
| 2. <a href="#">Interior Handle (RH Shown)</a>       | 7. <a href="#">Handle Set Screw (Package)</a>      | 12. <a href="#">Trim Set Gasket</a> |
| 3. <a href="#">Active Exterior Escutcheon Plate</a> | 8. <a href="#">Key Cylinder Mounting Bolts</a>     | 13. <a href="#">Spindle</a>         |
| 4. <a href="#">Active Interior Escutcheon Plate</a> | 9. <a href="#">Lock Limiting Plate</a>             | 14. <a href="#">Nylon Bushing</a>   |
| 5. <a href="#">Escutcheon Plate Bolts</a>           | 10. <a href="#">Lock Actuator</a>                  | 15. <a href="#">Dummy Cylinder</a>  |

**Tribeca® Hinged Patio Door Hardware - Single Trim Set**

# 400 Series Frenchwood® Outswing Doors (1997 to 2016)

Single Panel, 2-Panel, and Stationary Panel

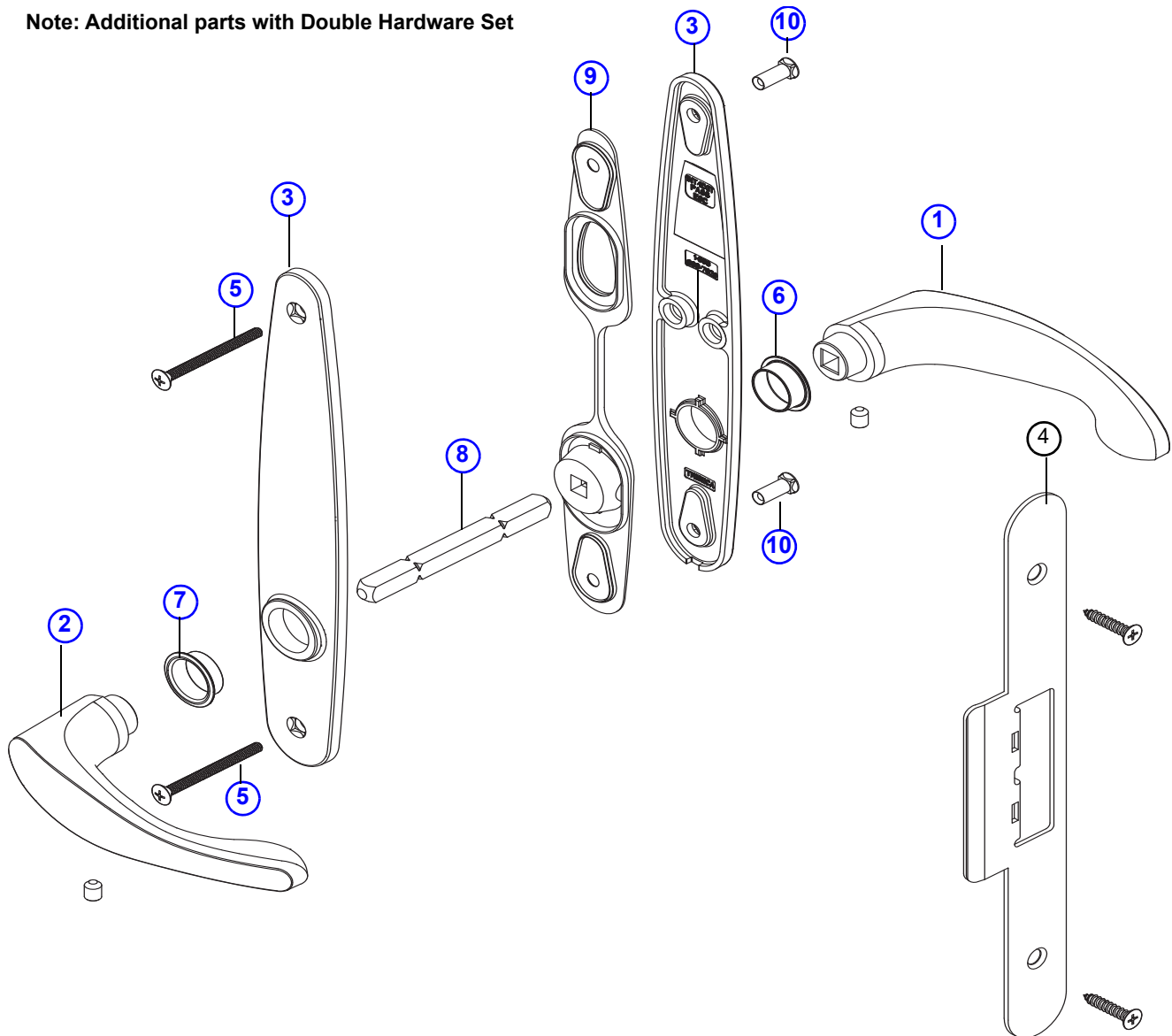
## Hardware

### Tribeca® Hardware - Passive Hardware Illustration

Note:

See [Accessory Guide 0004286](#).

Note: Additional parts with Double Hardware Set



1. [Exterior Handle \(LH Shown\)](#)
2. [Interior Handle \(RH Shown\)](#)
3. [Passive Exterior/Interior Escutcheon Plate](#)
4. AP/PA Strike Plate (Not Needed on outswing doors)
5. [Escutcheon Plate Bolts](#)
6. [Nylon Bushing](#)
7. [Nylon Bushing](#)
8. [Spindle](#)
9. [Trim Set Gasket](#)
10. [Escutcheon Plate Mounting Studs](#)

### Tribeca® Hinged Patio Door Hardware - Double Trim Set

## Hardware

### Complete Trim Set - Tribeca / Interior and Exterior See Illustration [page 68](#) and [page 69](#)

	Finish	Single	Double AP/PA
	Stone	2577557	2577558
	White	2577555	2577556


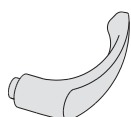
### Trim Set - Tribeca / Interior See Illustration [page 65](#)

	Finish	Single		Double AP/PA
		Left	Right	Order No.
	Stone	2572662	2572772	2572663
White	2572660	2572771	2572661	




### Trim Set - Tribeca / Exterior See Illustration [page 66](#)

	Finish	Single		Double AP/PA
		Left	Right	Order No.
	Stone	2572603	2572750	2572604
White	2572601	2572749	2572602	

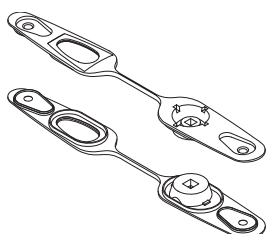
### Lever Handle with Screws - Tribeca Ref. No. 1 and 2 [page 68](#) and [page 69](#)

 Left Hand   Right Hand	Finish	Left	Right
	Stone	2579848	2579849
	White	2579835	2579836

### Escutcheon Plate - Tribeca Ref. No. 3 and 4 [page 68](#) and [page 69](#)

 Active Interior   Active Exterior   Passive	Finish	Active Interior	Active Exterior	Passive Interior/ Exterior
	Stone	2579852	2579854	2579853
	White	2579839	2579841	2579840

### Gasket - Trim Set / Tribeca Ref. No. 12 [page 68](#) and [page 69](#)

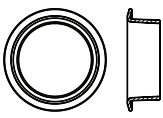
	<b>Note:</b> Use for Tribeca® trim set. Tribeca® (Metro™) gaskets prior to 1999 are available in the service only section <a href="#">page 146</a>	Order No.
		2962513

# 400 Series Frenchwood® Outswing Doors (1997 to 2016)

Single Panel, 2-Panel, and Stationary Panel

## Hardware

### Bushing - Tribeca Ref. 11 & 14 [page 68](#) and 6 & 7 [page 69](#)

	<p><b>Note:</b> Made of Nylon. Tribeca handles made prior to November 2020 use this bushing. If replacing this vintage of bushing you will need to order the current trim set screw pack (includes bushing), handle and escutcheon plate.</p> <p>Tribeca handles made November 2020 - present use bushing included in current trim set screw pack <a href="#">page 95</a></p> <p>Replace the old style gold bushing used prior to 1999 with this bushing.</p>	Clear
		N/A

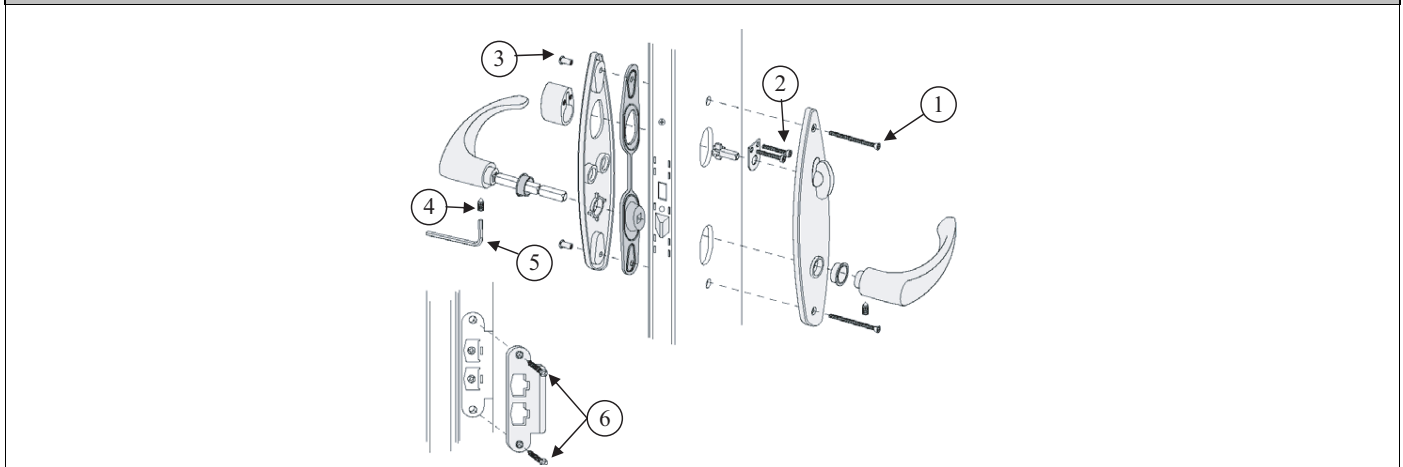
### Dummy Cylinder - Lock Set / Tribeca No. 15 [page 68](#)

		<b>Finish</b>	<b>Order No.</b>
		Stone	2579860
		White	2579847

### Escutcheon Plate Bolt with Stud / Tribeca®

	<b>Description</b>	<b>Finish</b>	<b>Order No.</b>
	2 - #8 - 32 x 2 PH OH MS YZP 2 - threaded studs	Stone	2579855
		White	2579842

### Screw Package - Trim Set / Tribeca



**Note:**  
Threaded stud shown as #3 not included with this kit. See escutcheon plate bolt with stud.

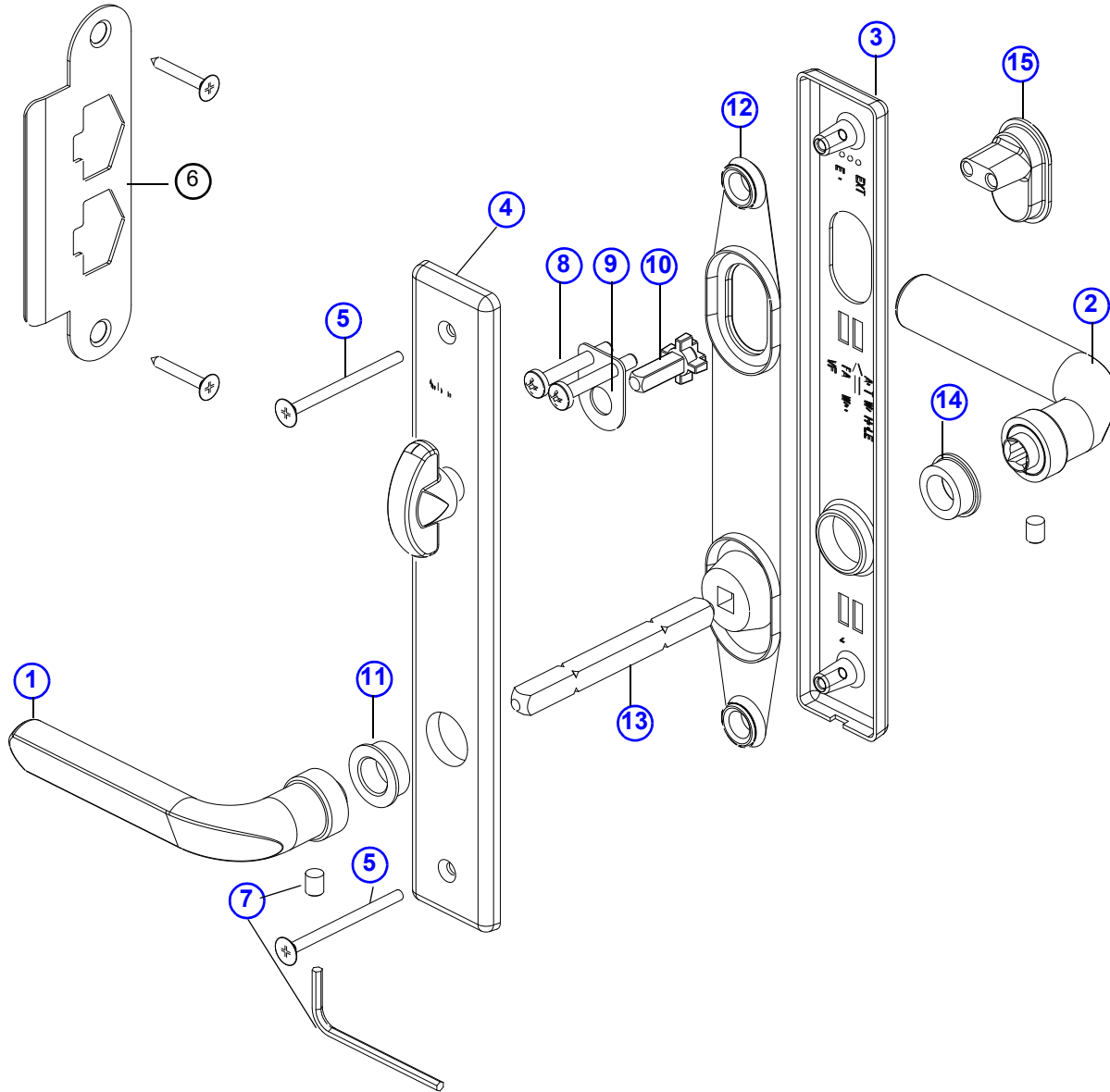
<b>Ref. No.</b>	<b>Package Includes</b>	<b>Finish</b>	<b>Order No.</b>
1	2 - screw, #8 - 32 x 2 PH OH MS YZP	Stone	2579767
2	2 - screw, 5mm x 35 PH Pan MS YXP	White	2579766
6	2 - screw, #10 x 1" PH FH S/M/S		
4	2 - screw, 1/4 - 20 UNC SS knurled cup point set		
5	1 - 1/8 allen wrench		

## Hardware

### Hardware - Anvers®

**Note:**

See [Accessory Guide 0005156](#).



- |   |  |  |
|---|--|--|
| 1. <a href="#">Interior Handle (LH Shown)</a>       | 6. Strike Plate (Not Needed on outswing doors) | 11. <a href="#">Interior Nylon Bushing</a> |
| 2. <a href="#">Exterior Handle (RH Shown)</a>       | 7. <a href="#">Handle Set Screw (Package)</a>  | 12. <a href="#">Trim Set Gasket</a>        |
| 3. <a href="#">Active Exterior Escutcheon Plate</a> | 8. <a href="#">Key Cylinder Mounting Bolts</a> | 13. <a href="#">Spindle</a>                |
| 4. <a href="#">Active Interior Escutcheon Plate</a> | 9. <a href="#">Lock Limiting Plate</a>         | 14. <a href="#">Exterior Nylon Bushing</a> |
| 5. <a href="#">Escutcheon Plate Bolts</a>           | 10. <a href="#">Lock Actuator</a>              | 15. <a href="#">Dummy Cylinder</a>         |

### Anvers® Hinged Patio Door Hardware - Single Trim Set



# 400 Series Frenchwood® Outswing Doors (1997 to 2016)

Single Panel, 2-Panel, and Stationary Panel

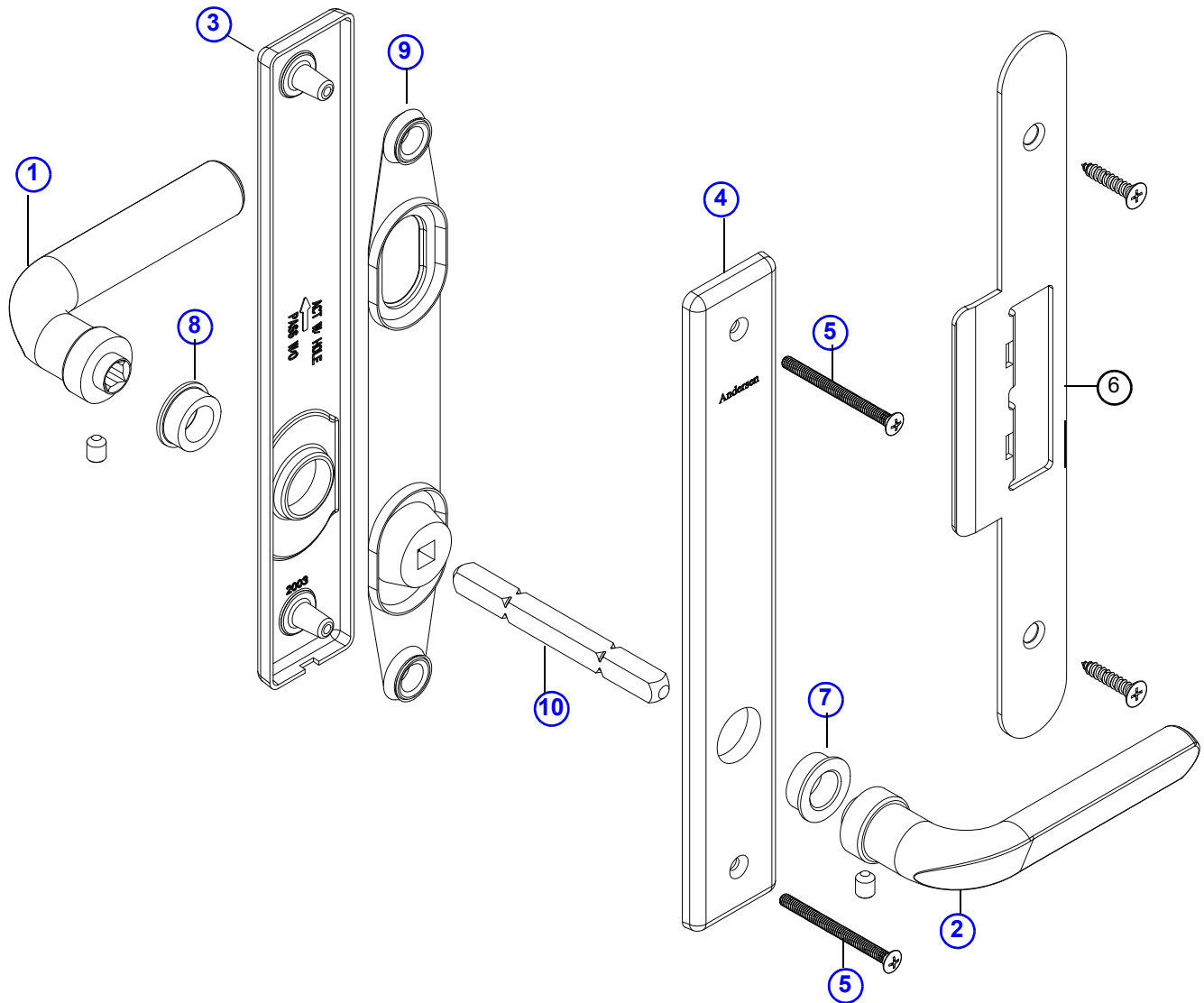
## Hardware

### Anvers® Hardware - Passive Hardware Illustration

**Note:**

See [Accessory Guide 0004286](#).

**Note: Additional parts with Double Hardware Set**



- |  |  |
|--|--|
| 1. <a href="#">Exterior Handle (LH Shown)</a>        | 6. AP/PA Strike Plate (Not Needed on outswing doors) |
| 2. <a href="#">Interior Handle (RH Shown)</a>        | 7. <a href="#">Interior Nylon Bushing</a>            |
| 3. <a href="#">Passive Exterior Escutcheon Plate</a> | 8. <a href="#">Exterior Nylon Bushing</a>            |
| 4. <a href="#">Passive Interior Escutcheon Plate</a> | 9. <a href="#">Trim Set Gasket</a>                   |
| 5. <a href="#">Escutcheon Plate Bolts</a>            | 10. <a href="#">Spindle</a>                          |

### Anvers® Hinged Patio Door Hardware - Double Trim Set

## Hardware

<b>Complete Trim Set - Anvers / Interior and Exterior</b> See Illustration <a href="#">page 72</a> and <a href="#">page 73</a>			
	<b>Finish</b>	<b>Single</b>	<b>Double AP/PA</b>
	Bright Brass	2578913	2578914
	Oil Rubbed Bronze	2578917	2578918
	Satin Nickel	2578915	2578916

<b>Trim Set - Anvers / Interior</b> See Illustration <a href="#">page 65</a>				
	<b>Finish</b>	<b>Single</b>		<b>Double AP/PA</b>
		<b>Left</b>	<b>Right</b>	<b>Order No.</b>
Bright Brass		2572676	2572779	2572677
Oil Rubbed Bronze		2572686	2572784	2572687
Satin Nickel		2572692	2572787	2572693

<b>Trim Set - Anvers / Exterior</b> See Illustration <a href="#">page 66</a>				
	<b>Finish</b>	<b>Single</b>		<b>Double AP/PA</b>
		<b>Left</b>	<b>Right</b>	<b>Order No.</b>
Bright Brass		2572632	2572757	2572633
Oil Rubbed Bronze		2572642	2572762	2572643
Satin Nickel		2572648	2572765	2572649

<b>Handle with Screws - Anvers</b> Ref. No. 1 and 2 <a href="#">page 72</a> and <a href="#">page 73</a>			
	<b>Finish</b>	<b>Left</b>	<b>Right</b>
	Bright Brass	2573719	2573720
	Oil Rubbed Bronze	2573721	2573722
	Satin Nickel	2573723	2573724

<b>Escutcheon Plate - Anvers / Exterior</b> Ref. No. 3 <a href="#">page 72</a> and <a href="#">page 73</a>			
	<b>Finish</b>	<b>Active</b>	<b>Passive</b>
	Bright Brass	2573741	2573742
	Oil Rubbed Bronze	2573745	2573746
	Satin Nickel	2573749	2573750

<b>Escutcheon Plate - Anvers / Interior</b> Ref. No. 4 <a href="#">page 72</a> and <a href="#">page 73</a>			
	<b>Finish</b>	<b>Active</b>	<b>Passive</b>
	Bright Brass	2573739	2573740
	Oil Rubbed Bronze	2573743	2573744
	Satin Nickel	2573747	2573748

# 400 Series Frenchwood® Outswing Doors (1997 to 2016)

Single Panel, 2-Panel, and Stationary Panel

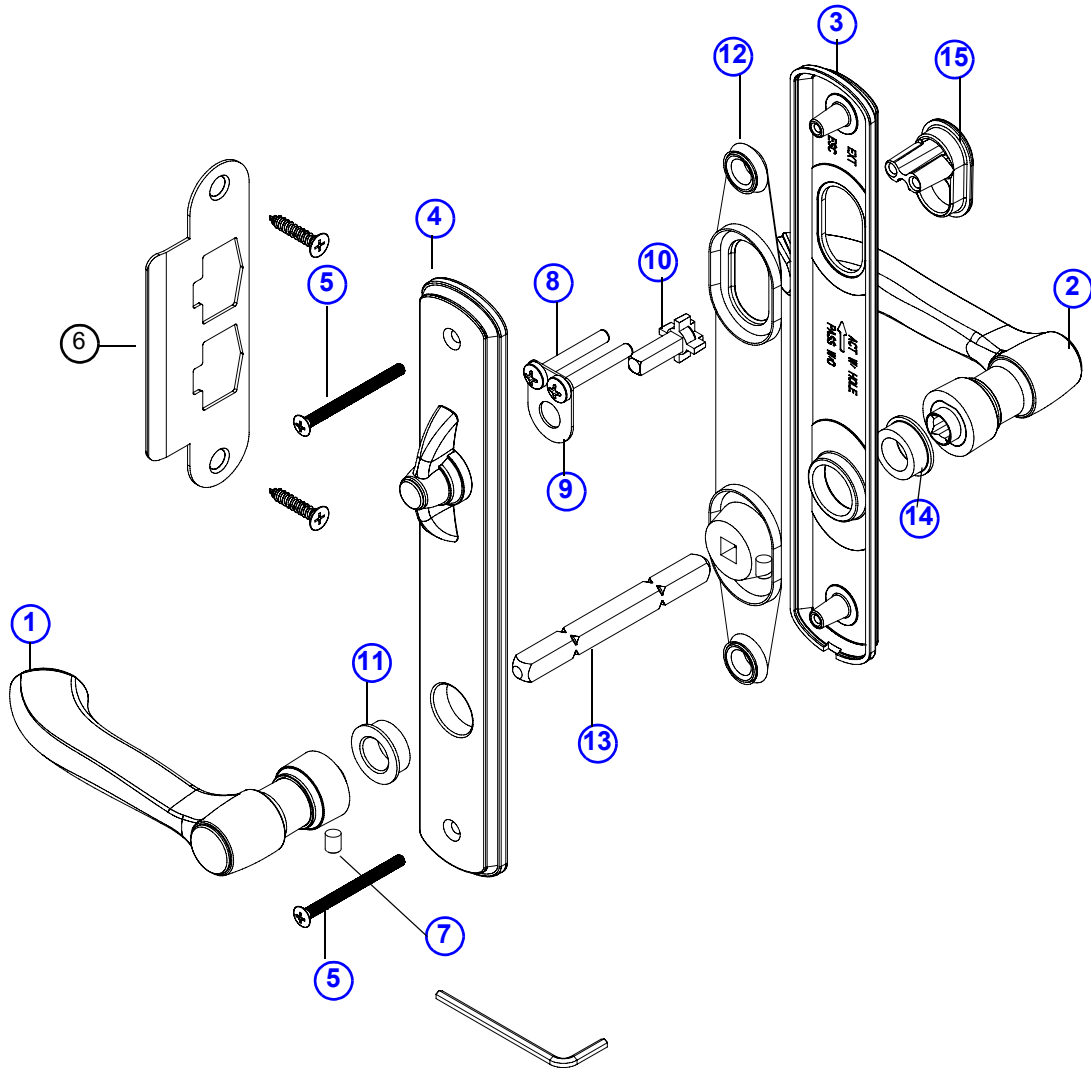
## Hardware

### Hardware - Albany

#### Albany Hardware - Single Trim Set Illustration

**Note:**

See [Accessory Guide 0005156](#).



- |  |  |  |
|--|--|--|
| 1. <a href="#">Interior Handle (LH Shown)</a>        | 6. Strike Plate (Not Needed on outswing doors) | 11. <a href="#">Interior Nylon Bushing</a> |
| 2. <a href="#">Exterior Handle (RH Shown)</a>        | 7. <a href="#">Handle Set Screw (Package)</a>  | 12. <a href="#">Trim Set Gasket</a>        |
| 3. <a href="#">Passive Exterior Escutcheon Plate</a> | 8. <a href="#">Key Cylinder Mounting Bolts</a> | 13. <a href="#">Spindle</a>                |
| 4. <a href="#">Passive Interior Escutcheon Plate</a> | 9. <a href="#">Lock Limiting Plate</a>         | 14. <a href="#">Exterior Nylon Bushing</a> |
| 5. <a href="#">Escutcheon Plate Bolts</a>            | 10. <a href="#">Lock Actuator</a>              | 15. <a href="#">Dummy Cylinder</a>         |

#### Albany Hardware for Hinged Doors - Single Trim Set

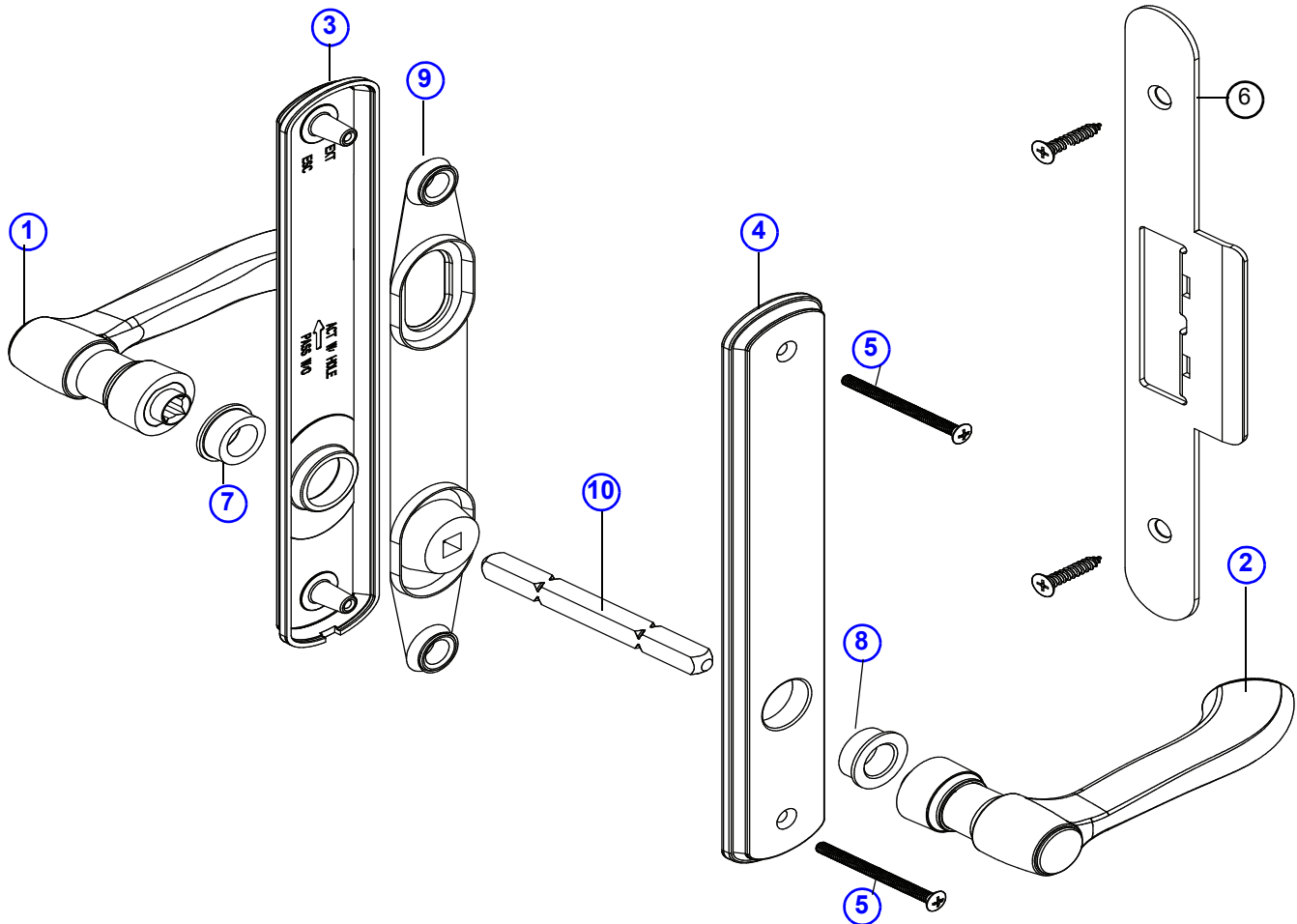
## Hardware

### Albany Hardware - Passive Hardware Illustration

**Note:**

See [Accessory Guide 0004286](#).

**Note: Additional parts with Double Hardware Set**



- |  |  |
|--|--|
| 1. <a href="#">Exterior Handle (LH Shown)</a>        | 6. AP/PA Strike Plate (Not Needed on outswing doors) |
| 2. <a href="#">Interior Handle (RH Shown)</a>        | 7. <a href="#">Interior Nylon Bushing</a>            |
| 3. <a href="#">Passive Exterior Escutcheon Plate</a> | 8. <a href="#">Exterior Nylon Bushing</a>            |
| 4. <a href="#">Passive Interior Escutcheon Plate</a> | 9. <a href="#">Trim Set Gasket</a>                   |
| 5. <a href="#">Escutcheon Plate Bolts</a>            | 10. <a href="#">Spindle</a>                          |

### Albany Hardware for Hinged Doors - Double Trim Set

# 400 Series Frenchwood® Outswing Doors (1997 to 2016)

Single Panel, 2-Panel, and Stationary Panel

## Hardware

<b>Complete Trim Set - Interior/Exterior (Albany)</b> See Illustration <a href="#">page 75</a> and <a href="#">page 76</a>			
	Finish	Single	Double AP/PA
	White	9007546	9007550
	Stone	9007547	9007551
	Gold Dust	N/A	N/A
	Black	9007549	9007553

<b>Trim Set - Interior (Albany)</b> See Illustration <a href="#">page 65</a>				
	Finish	Single		Double AP/PA
		Left	Right	Order No.
	White	9007570	9007578	9007571
	Stone	9007572	9007579	9007573
	Gold Dust	N/A	N/A	N/A
Black	9007576	9007581	9007577	

<b>Trim Set - Exterior (Albany)</b> See Illustration <a href="#">page 66</a>				
	Finish	Single		Double AP/PA
		Left	Right	Order No.
	White	9007582	9007590	9007583
	Stone	9007584	9007591	9007585
	Gold Dust	N/A	N/A	N/A
Black	9007588	9007593	9007589	

<b>Lever Handle with Screws (Albany)</b> Ref. No. 1 and 2 <a href="#">page 75</a> and <a href="#">page 76</a>			
	Finish	Left	Right
	White	9018906	9018907
	Stone	9018908	9018909
	Gold Dust	N/A	N/A
	Black	9018912	9018913

<b>Escutcheon Plate - Interior (Albany)</b> Ref. No. 4 <a href="#">page 75</a> and <a href="#">page 76</a>			
	Finish	Active	Passive AP/PA
	White	9018941	9018949
	Stone	9018942	9018950
	Gold Dust	9018943	9018951
	Black	9018944	9018952

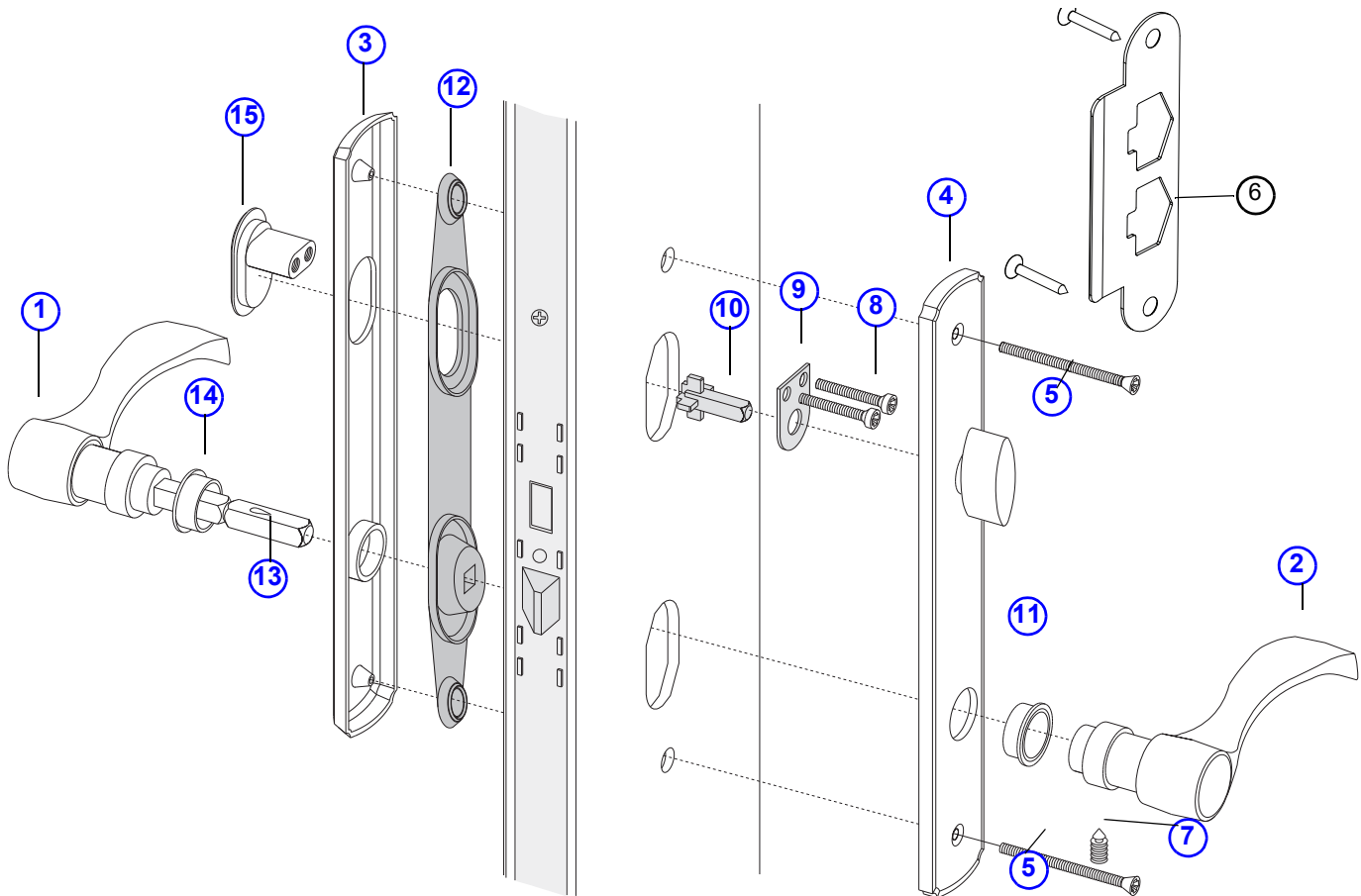
<b>Escutcheon Plate - Exterior (Albany)</b> Ref. No. 3 <a href="#">page 75</a> and <a href="#">page 76</a>			
	Finish	Active	Passive AP/PA
	White	9018937	9018945
	Stone	9018938	9018946
	Gold Dust	9018939	N/A
	Black	9018940	9018948

## Hardware

### Hardware - Newbury®

**Note:**

See [Accessory Guide 0005156](#).



- |   |  |  |
|---|--|--|
| 1. <a href="#">Exterior Handle (LH Shown)</a>       | 6. Strike Plate (Not Needed on outswing doors) | 11. <a href="#">Interior Nylon Bushing</a> |
| 2. <a href="#">Interior Handle (RH Shown)</a>       | 7. <a href="#">Handle Set Screw (Package)</a>  | 12. <a href="#">Trim Set Gasket</a>        |
| 3. <a href="#">Active Exterior Escutcheon Plate</a> | 8. <a href="#">Key Cylinder Mounting Bolts</a> | 13. <a href="#">Spindle</a>                |
| 4. <a href="#">Active Interior Escutcheon Plate</a> | 9. <a href="#">Lock Limiting Plate</a>         | 14. <a href="#">Exterior Nylon Bushing</a> |
| 5. <a href="#">Escutcheon Plate Bolts</a>           | 10. <a href="#">Lock Actuator</a>              | 15. <a href="#">Dummy Cylinder</a>         |

### Newbury® Hardware for Hinged Doors - Single Trim Set

# 400 Series Frenchwood® Outswing Doors (1997 to 2016)

Single Panel, 2-Panel, and Stationary Panel

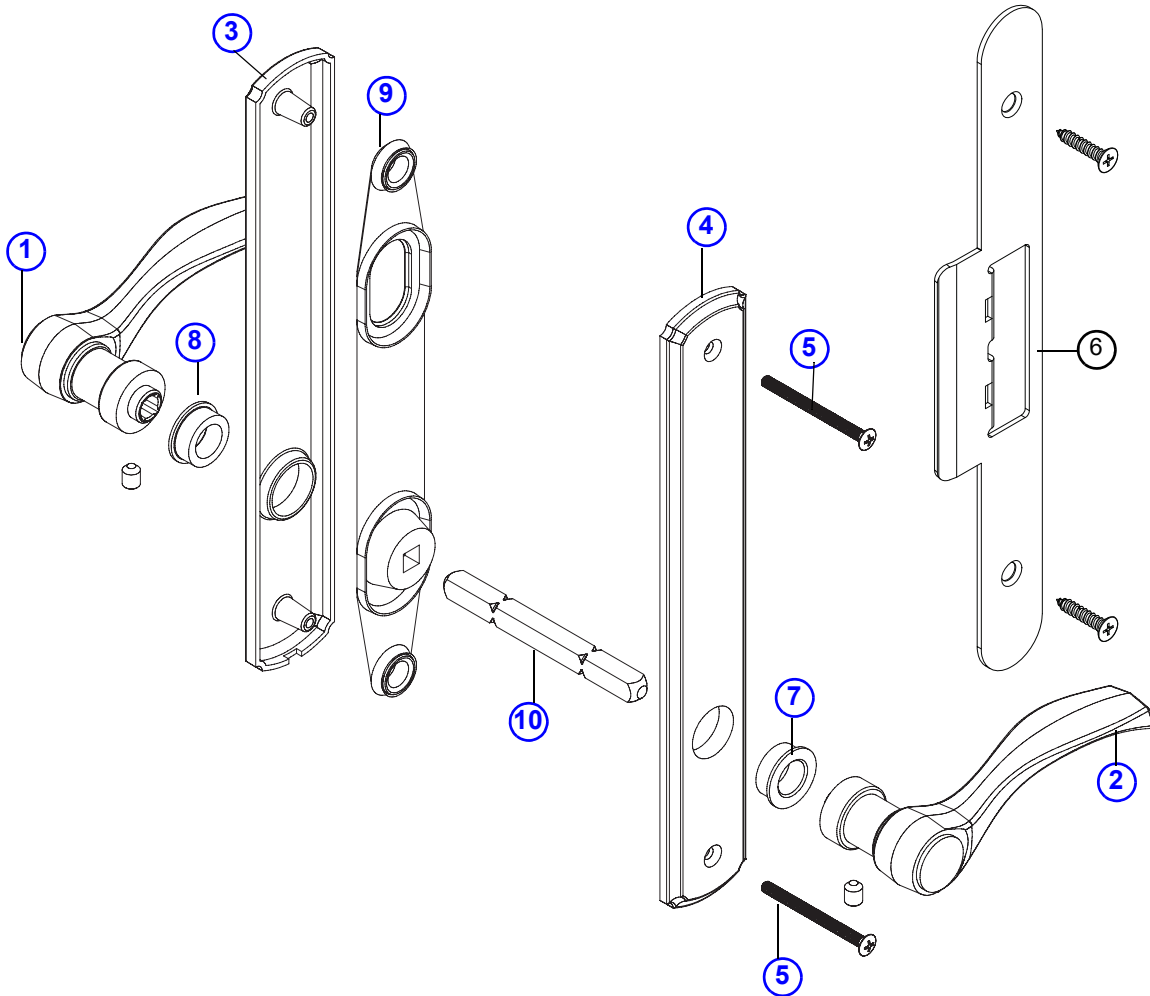
## Hardware

### Newbury® Hardware - Passive Hardware Illustration

**Note:**

See [Accessory Guide 0004286](#).

**Note: Additional parts with Double Hardware Set**



- |  |  |
|--|--|
| 1. <a href="#">Exterior Handle (LH Shown)</a>        | 6. AP/PA Strike Plate (Not Needed on outswing doors) |
| 2. <a href="#">Interior Handle (RH Shown)</a>        | 7. <a href="#">Interior Nylon Bushing</a>            |
| 3. <a href="#">Passive Exterior Escutcheon Plate</a> | 8. <a href="#">Exterior Nylon Bushing</a>            |
| 4. <a href="#">Passive Interior Escutcheon Plate</a> | 9. <a href="#">Trim Set Gasket</a>                   |
| 5. <a href="#">Escutcheon Plate Bolts</a>            | 10. <a href="#">Spindle</a>                          |

**Newbury® Hardware for Hinged Doors - Double Trim Set**

## Hardware

### Complete Trim Set - Newbury / Interior and Exterior See Illustration [page 78](#) and [page 79](#)

	Finish	Single	Double AP/PA
	Antique Brass	2577504	2577521
Brushed Chrome	2579746	2579747	
Chrome	2577501	2577533	
H.P. Bright Brass	2577543	2577544	
Oil Rubbed Bronze	2579742	2579743	
Satin Nickel	2579443	2579455	



### Trim Set - Newbury / Interior See Illustration [page 65](#)

	Finish	Single		Double AP/PA
		Left	Right	Order No.
Antique Brass	2572666	2572774	2572667	
Brushed Chrome	N/A	N/A	NA	
Chrome	N/A	N/A	N/A	
H.P. Bright Brass	2572664	2572773	2572665	
Oil Rubbed Bronze	2572672	2572777	2572673	
Satin Nickel	2572674	2572778	2572675	

### Trim Set - Newbury / Exterior See Illustration [page 66](#)

	Finish	Single		Double AP/PA
		Left	Right	Order No.
Antique Brass	2572607	2572752	2572608	
Brushed Chrome	N/A	NA	N/A	
Chrome	N/A	N/A	N/A	
H.P. Bright Brass	2572605	2572751	2572606	
Oil Rubbed Bronze	2572628	2572755	2572629	
Satin Nickel	2572630	2572756	2572631	

### Handle with Screws - Newbury Ref. No. 1 and 2 [page 78](#) and [page 79](#)

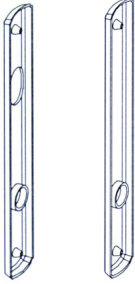
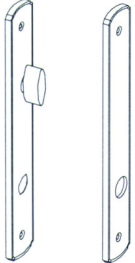
 Right Hand	 Left Hand	Finish	Left	Right
		Antique Brass	2579610	2579614
Brushed Chrome	N/A	N/A		
Chrome	2579597	2579598		
H.P. Bright Brass	2579611	2579612		
Oil Rubbed Bronze	2579901	2579903		
Satin Nickel	2579441	2579442		



# 400 Series Frenchwood® Outswing Doors (1997 to 2016)

Single Panel, 2-Panel, and Stationary Panel

## Hardware

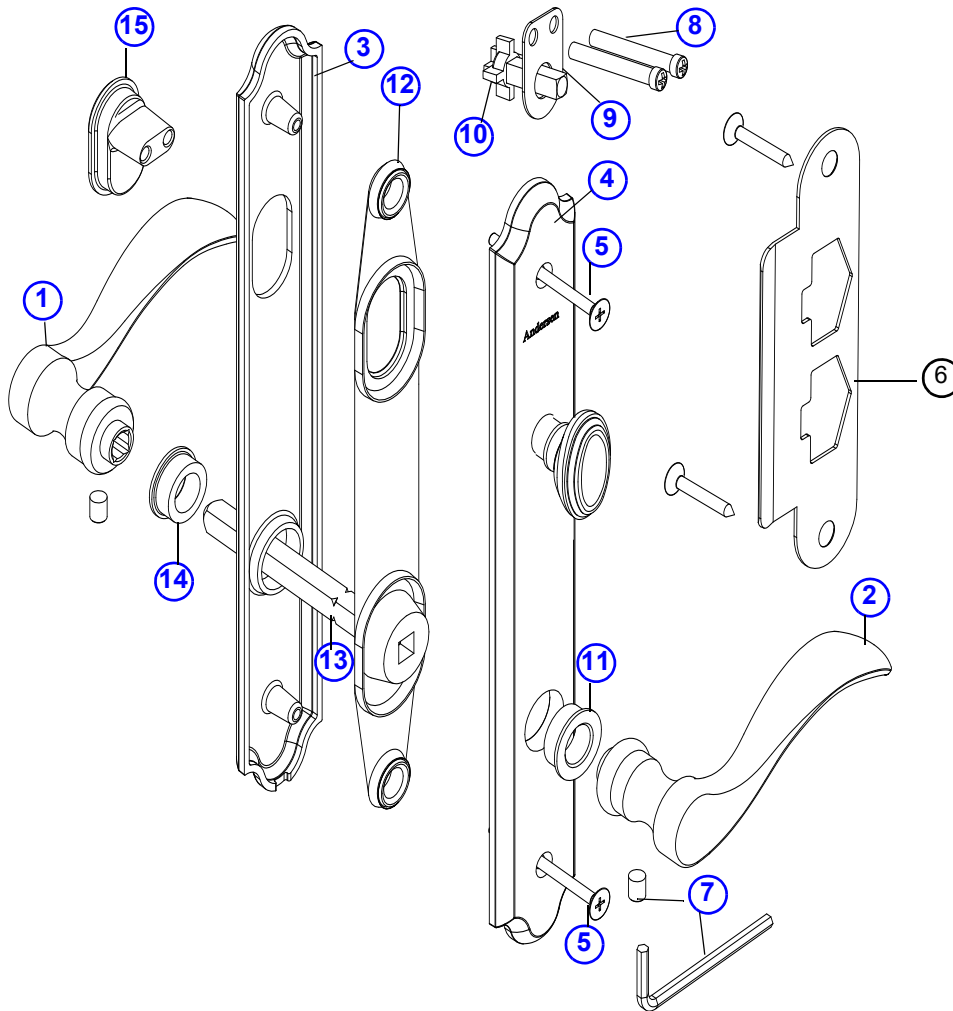
Escutcheon Plate - Newbury / Exterior Ref. No. 3 <a href="#">page 78</a> and <a href="#">page 79</a>				
 <p><b>Active</b>   <b>Passive</b></p>	<p><b>Note:</b> Escutcheon plates prior to 1999 were offered in Bright Brass, Antique Brass, and Polished Chrome.</p>	<b>Finish</b>	<b>Active</b>	<b>Passive</b>
		Antique Brass	2579606	2579680
		Brushed Chrome	2579914	2579916
		Chrome	2579588	2579604
		H.P. Bright Brass	2579605	2579601
		Oil Rubbed Bronze	2579913	2579915
		Satin Nickel	2579449	2579448
Escutcheon Plate - Newbury / Interior <a href="#">page 78</a> and <a href="#">page 79</a>				
 <p><b>Active</b>   <b>Passive</b></p>		<b>Finish</b>	<b>Active</b>	<b>Passive</b>
		Antique Brass	2579602	2579674
		Brushed Chrome	2579912	2579910
		Chrome	2579587	2579603
		H.P. Bright Brass	2579609	2579589
		Oil Rubbed Bronze	2579911	2579909
		Satin Nickel	2579446	2579447

## Hardware

### Hardware - Covington™

**Note:**

See [Accessory Guide 0005156](#).



- |   |  |  |
|---|--|--|
| 1. <a href="#">Exterior Handle (LH Shown)</a>       | 6. Strike Plate (Not Needed on outswing doors) | 11. <a href="#">Interior Nylon Bushing</a> |
| 2. <a href="#">Interior Handle (RH Shown)</a>       | 7. <a href="#">Handle Set Screw (Package)</a>  | 12. <a href="#">Trim Set Gasket</a>        |
| 3. <a href="#">Active Exterior Escutcheon Plate</a> | 8. <a href="#">Key Cylinder Mounting Bolts</a> | 13. <a href="#">Spindle</a>                |
| 4. <a href="#">Active Interior Escutcheon Plate</a> | 9. <a href="#">Lock Limiting Plate</a>         | 14. <a href="#">Exterior Nylon Bushing</a> |
| 5. <a href="#">Escutcheon Plate Bolts</a>           | 10. <a href="#">Lock Actuator</a>              | 15. <a href="#">Dummy Cylinder</a>         |

### Covington™ Hardware for Hinged Doors - Single Trim Set

# 400 Series Frenchwood® Outswing Doors (1997 to 2016)

Single Panel, 2-Panel, and Stationary Panel

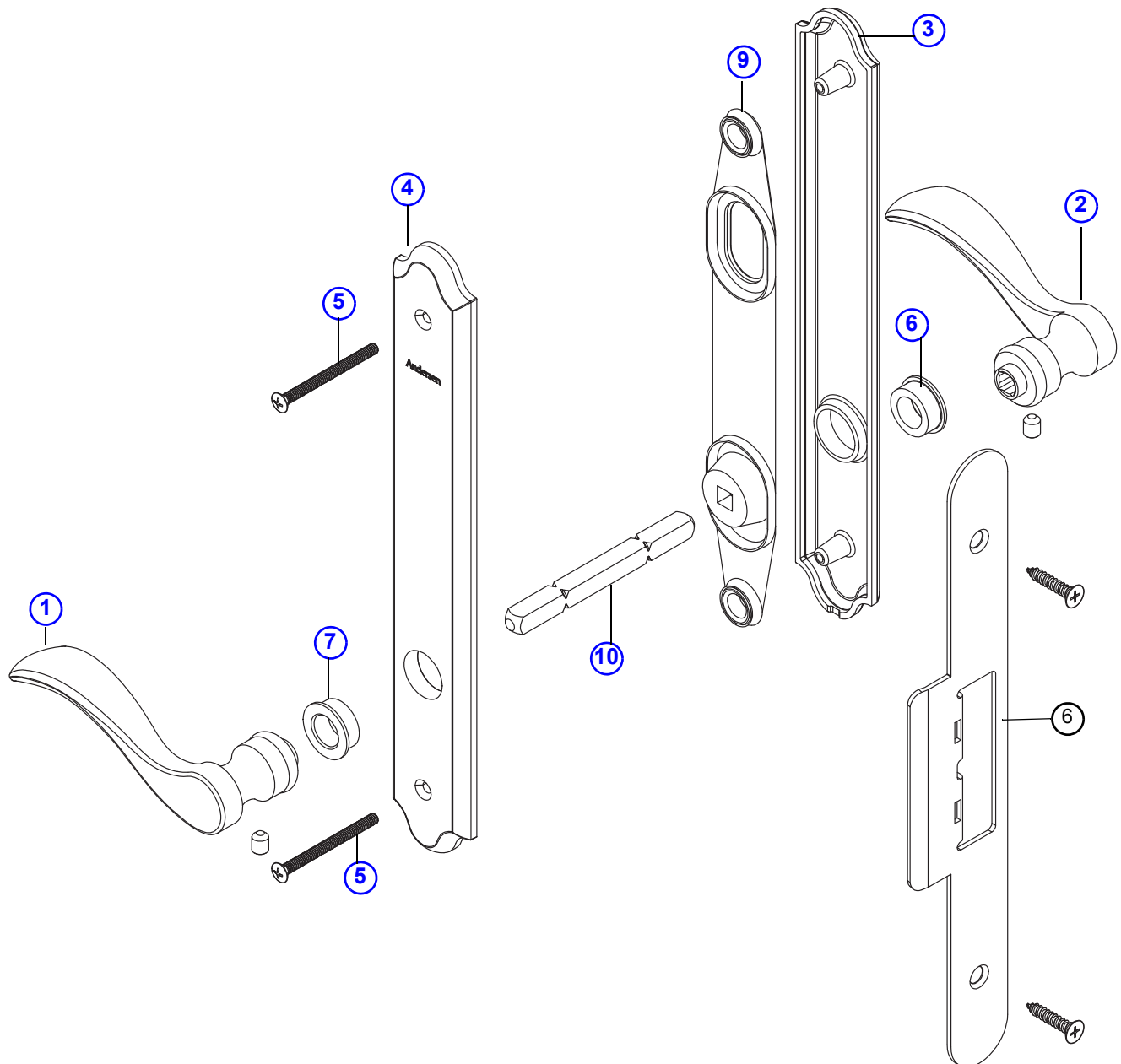
## Hardware

### Covington™ Hardware - Passive Hardware Illustration

Note:

See [Accessory Guide 0004286](#).

Note: Additional parts with Double Hardware Set



1. [Exterior Handle \(LH Shown\)](#)
2. [Interior Handle \(RH Shown\)](#)
3. [Passive Exterior Escutcheon Plate](#)
4. [Passive Interior Escutcheon Plate](#)
5. [Escutcheon Plate Bolts](#)
6. AP/PA Strike Plate (Not Needed on outswing doors)
7. [Interior Nylon Bushing](#)
8. [Exterior Nylon Bushing](#)
9. [Trim Set Gasket](#)
10. [Spindle](#)

### Covington™ Hardware for Hinged Doors - Double Trim Set

## Hardware

<b>Complete Trim Set - Covington / Interior and Exterior</b> See Illustration <a href="#">page 82</a> and <a href="#">page 83</a>			
	<b>Finish</b>	<b>Single</b>	<b>Double AP/PA</b>
	Antique Brass	2578937	2578938
	Bright Brass	2578935	2578936
	Oil Rubbed Bronze	2578941	2578942

<b>Trim Set - Covington / Interior</b> See Illustration <a href="#">page 65</a>				
	<b>Finish</b>	<b>Single</b>		<b>Double AP/PA</b>
		<b>Left</b>	<b>Right</b>	<b>Order No.</b>
	Antique Brass	N/A	N/A	N/A
	Bright Brass	NA	NA	N/A
	Oil Rubbed Bronze	NA	NA	N/A

<b>Trim Set - Covington / Exterior</b> See Illustration <a href="#">page 66</a>				
	<b>Finish</b>	<b>Single</b>		<b>Double AP/PA</b>
		<b>Left</b>	<b>Right</b>	<b>Order No.</b>
	Antique Brass	N/A	N/A	N/A
	Bright Brass	NA	N/A	N/A
	Oil Rubbed Bronze	N/A	N/A	N/A

<b>Handle with Screws - Covington</b> Ref. No. 1 and 2 <a href="#">page 82</a> and <a href="#">page 83</a>			
	<b>Finish</b>	<b>Left</b>	<b>Right</b>
	Antique Brass	2573733	2573734
	Bright Brass	2573735	2573736
	Oil Rubbed Bronze	N/A	2573738

<b>Escutcheon Plate - Covington / Exterior</b> Ref. No. 3 <a href="#">page 82</a> and <a href="#">page 83</a>			
	<b>Finish</b>	<b>Active</b>	<b>Passive</b>
	Antique Brass	2573769	2573770
	Bright Brass	2573773	N/A
	Oil Rubbed Bronze	2573777	2573778

<b>Escutcheon Plate - Covington / Interior</b> Ref. No. 3 <a href="#">page 82</a> and <a href="#">page 83</a>			
	<b>Finish</b>	<b>Active</b>	<b>Passive</b>
	Antique Brass	2573767	2573768
	Bright Brass	2573771	2573772
	Oil Rubbed Bronze	2573775	2573776

# 400 Series Frenchwood® Outswing Doors (1997 to 2016)

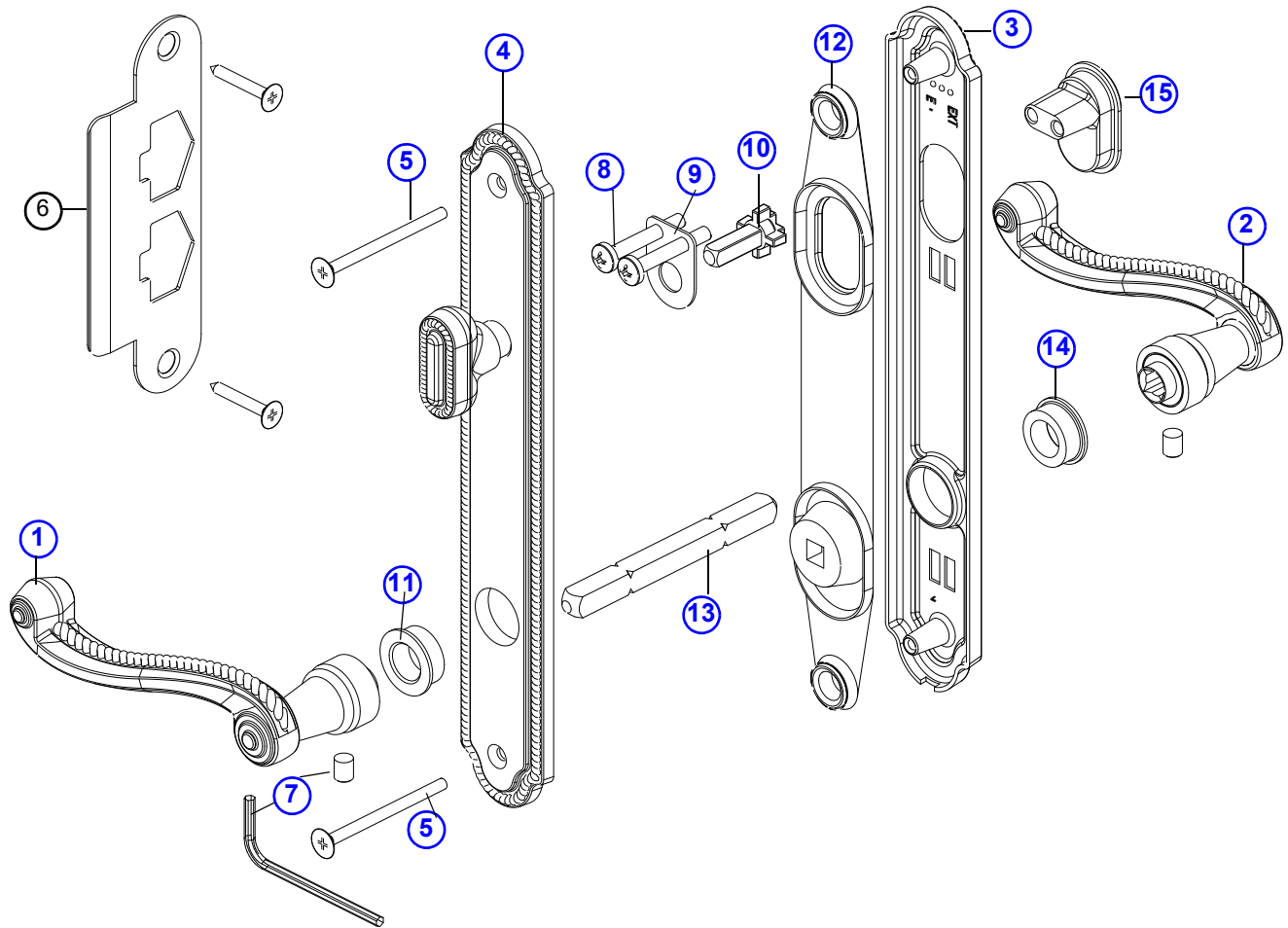
Single Panel, 2-Panel, and Stationary Panel

## Hardware

### Hardware - Whitmore®

**Note:**

See [Accessory Guide 0005156](#).



- |   |  |  |
|---|--|--|
| 1. <a href="#">Interior Handle (LH Shown)</a>       | 6. Strike Plate (Not Needed on outswing doors) | 11. <a href="#">Interior Nylon Bushing</a> |
| 2. <a href="#">Exterior Handle (RH Shown)</a>       | 7. <a href="#">Handle Set Screw (Package)</a>  | 12. <a href="#">Trim Set Gasket</a>        |
| 3. <a href="#">Active Exterior Escutcheon Plate</a> | 8. <a href="#">Key Cylinder Mounting Bolts</a> | 13. <a href="#">Spindle</a>                |
| 4. <a href="#">Active Interior Escutcheon Plate</a> | 9. <a href="#">Lock Limiting Plate</a>         | 14. <a href="#">Exterior Nylon Bushing</a> |
| 5. <a href="#">Escutcheon Plate Bolts</a>           | 10. <a href="#">Lock Actuator</a>              | 15. <a href="#">Dummy Cylinder</a>         |

### Whitmore® Hinged Patio Door Hardware - Single Trim Set

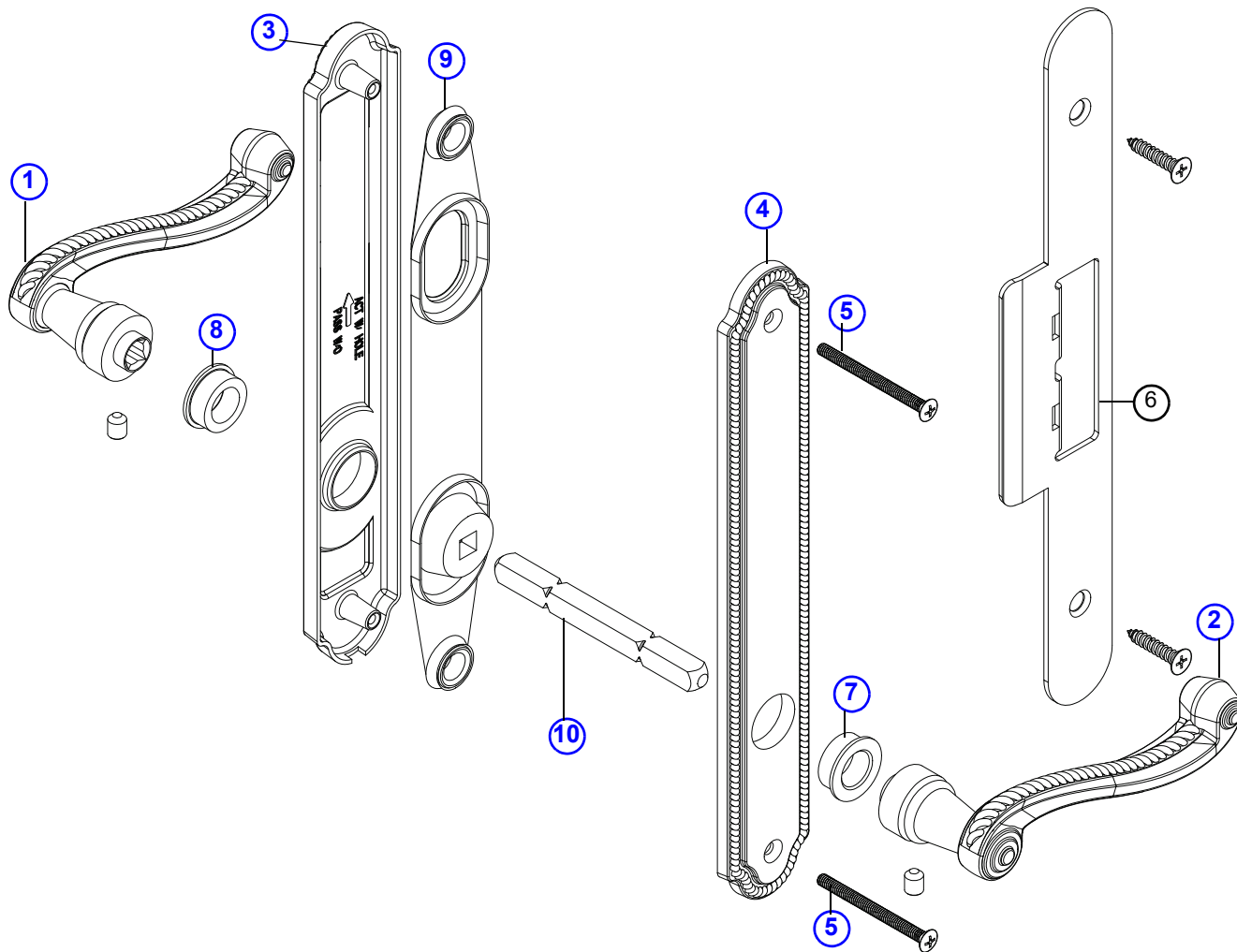
## Hardware

### Whitmore® Hardware - Passive Hardware Illustration

**Note:**

See [Accessory Guide 0004286](#).

**Note: Additional parts with Double Hardware Set**



- |  |  |
|--|--|
| 1. <a href="#">Exterior Handle (LH Shown)</a>        | 6. AP/PA Strike Plate (Not Needed on outswing doors) |
| 2. <a href="#">Interior Handle (RH Shown)</a>        | 7. <a href="#">Interior Nylon Bushing</a>            |
| 3. <a href="#">Passive Exterior Escutcheon Plate</a> | 8. <a href="#">Exterior Nylon Bushing</a>            |
| 4. <a href="#">Passive Interior Escutcheon Plate</a> | 9. <a href="#">Trim Set Gasket</a>                   |
| 5. <a href="#">Escutcheon Plate Bolts</a>            | 10. <a href="#">Spindle</a>                          |

### Whitmore® Hinged Patio Door Hardware - Double Trim Set

# 400 Series Frenchwood® Outswing Doors (1997 to 2016)

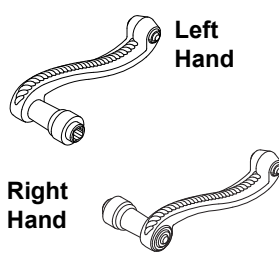
Single Panel, 2-Panel, and Stationary Panel

## Hardware

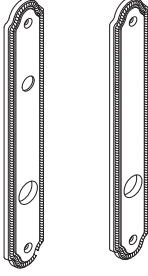
Complete Trim Set - Whitmore / Interior and Exterior See Illustration <a href="#">page 85</a> and <a href="#">page 86</a>			
	Finish	Single	Double AP/PA
	Antique Brass	2578923	2578924
	Bright Brass	2578919	2578920
	Oil Rubbed Bronze	2578925	2578926
	Satin Nickel	2578921	2578922

Trim Set - Whitmore / Interior See Illustration <a href="#">page 65</a>				
	Finish	Single		Double AP/PA
		Left	Right	Order No.
	Antique Brass	N/A	N/A	N/A
	Bright Brass	N/A	NA	N/A
	Oil Rubbed Bronze	N/A	N/A	N/A
	Satin Nickel	N/A	N/A	NA

Trim Set - Whitmore / Exterior See Illustration <a href="#">page 66</a>				
	Finish	Single		Double AP/PA
		Left	Right	Order No.
	Antique Brass	N/A	N/A	N/A
	Bright Brass	N/A	N/A	N/A
	Oil Rubbed Bronze	N/A	N/A	N/A
	Satin Nickel	N/A	N/A	NA

Handle with Screws - Whitmore Ref. No. 1 and 2 <a href="#">page 85</a> and <a href="#">page 86</a>			
 <p>Left Hand</p> <p>Right Hand</p>	Finish	Left	Right
	Antique Brass	2573725	2573726
	Bright Brass	2573727	2573728
	Oil Rubbed Bronze	2573729	2573730
	Satin Nickel	2573731	2573732

## Hardware

Escutcheon Plate - Whitmore / Exterior Ref. No. 3 <a href="#">page 85</a> and <a href="#">page 86</a>				
		Finish	Active	Passive
		Antique Brass	2573753	2573754
		Bright Brass	2573757	N/A
		Oil Rubbed Bronze	2573761	2573762
		Satin Nickel	2573765	N/A

Escutcheon Plate - Whitmore / Interior Ref. No. 3 <a href="#">page 85</a> and <a href="#">page 86</a>				
		Finish	Active	Passive
		Antique Brass	2573751	2573752
		Bright Brass	2573755	2573756
		Oil Rubbed Bronze	2573759	2573760
		Satin Nickel	2573763	2573764



# 400 Series Frenchwood® Outswing Doors (1997 to 2016)

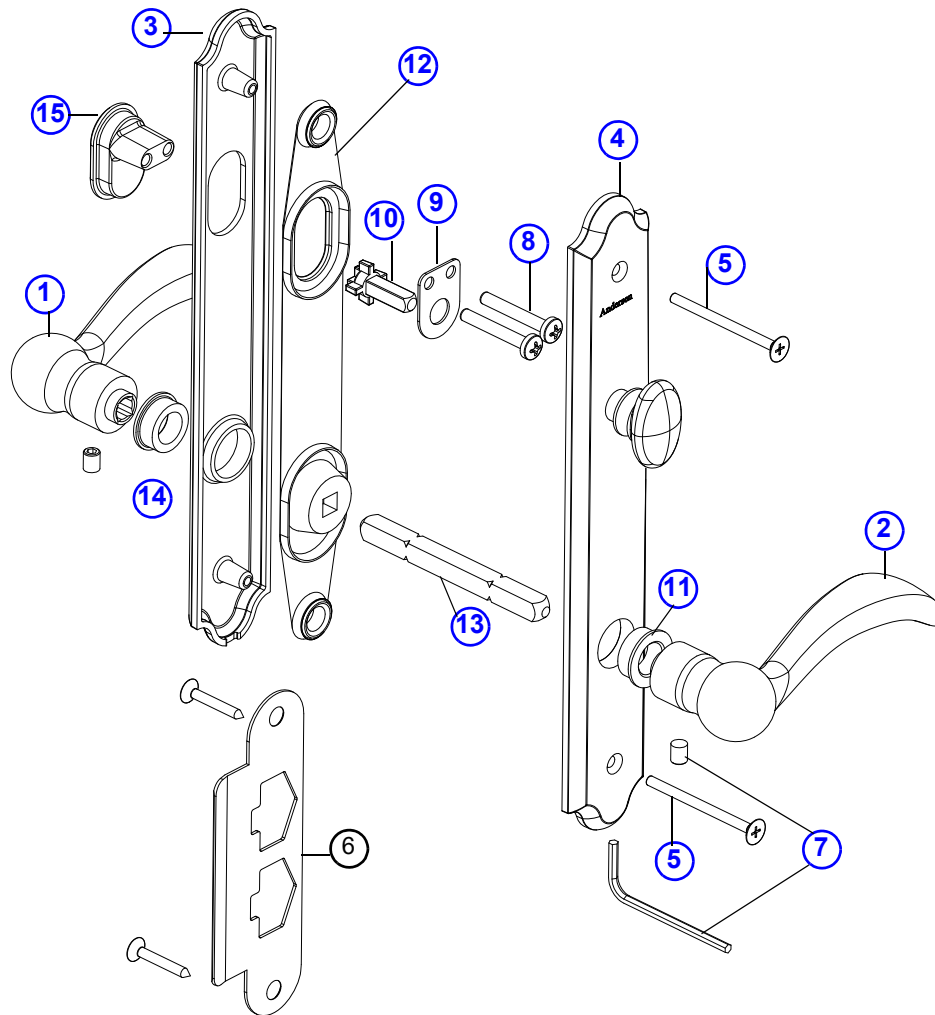
Single Panel, 2-Panel, and Stationary Panel

## Hardware

### Hardware - Encino®

**Note:**

See [Accessory Guide 0005156](#).



- |   |  |  |
|---|--|--|
| 1. <a href="#">Exterior Handle (LH Shown)</a>       | 6. Strike Plate (Not Needed on outswing doors) | 11. <a href="#">Interior Nylon Bushing</a> |
| 2. <a href="#">Interior Handle (RH Shown)</a>       | 7. <a href="#">Handle Set Screw (Package)</a>  | 12. <a href="#">Trim Set Gasket</a>        |
| 3. <a href="#">Active Exterior Escutcheon Plate</a> | 8. <a href="#">Key Cylinder Mounting Bolts</a> | 13. <a href="#">Spindle</a>                |
| 4. <a href="#">Active Interior Escutcheon Plate</a> | 9. <a href="#">Lock Limiting Plate</a>         | 14. <a href="#">Exterior Nylon Bushing</a> |
| 5. <a href="#">Escutcheon Plate Bolts</a>           | 10. <a href="#">Lock Actuator</a>              | 15. <a href="#">Dummy Cylinder</a>         |

### Encino® Hinged Patio Door Hardware - Single Trim Set

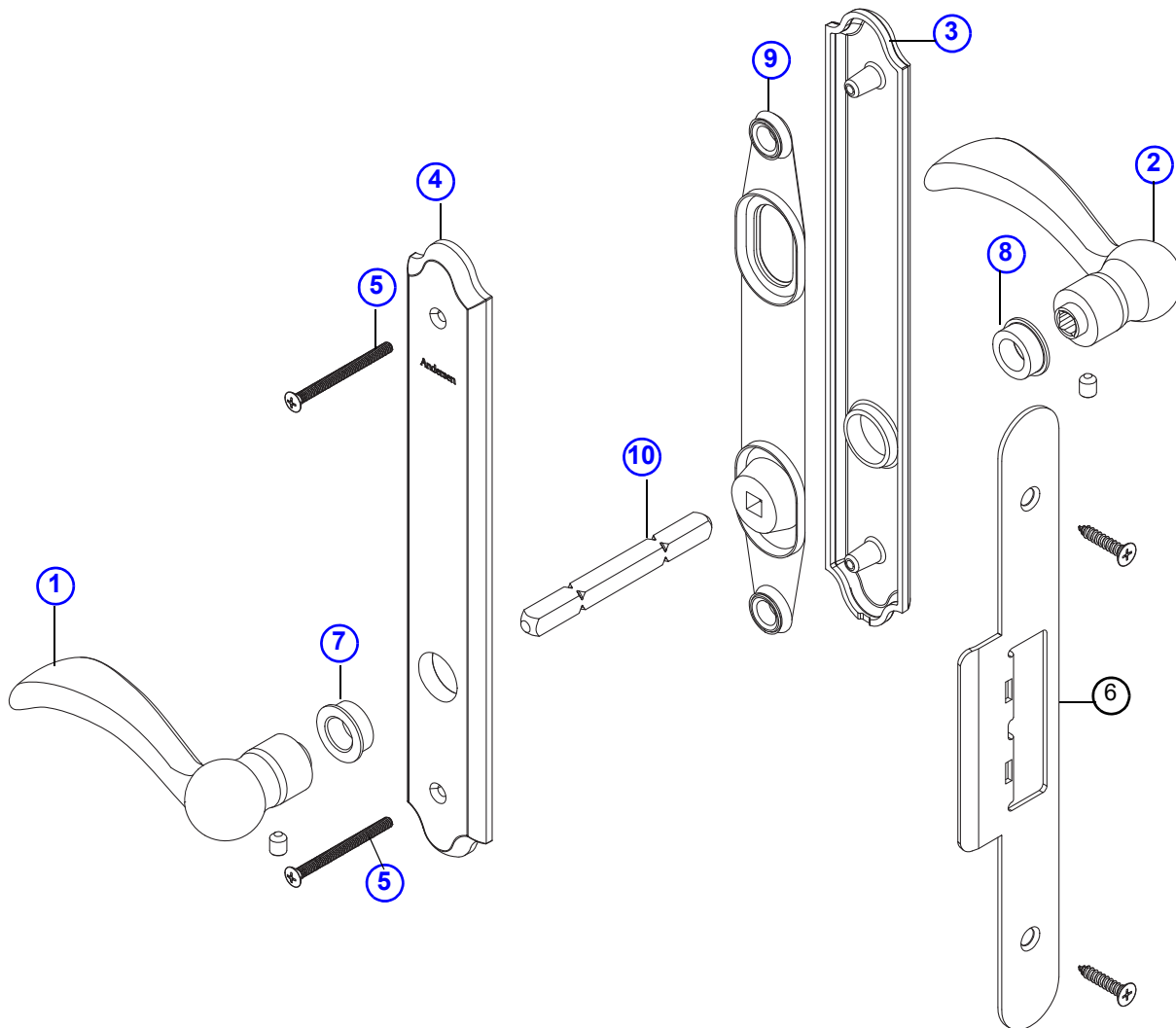
## Hardware

### Encino® Hardware - Passive Hardware Illustration

**Note:**

See [Accessory Guide 0004286](#).

**Note: Additional parts with Double Hardware Set**



- |  |  |
|--|--|
| 1. <a href="#">Exterior Handle (LH Shown)</a>        | 6. AP/PA Strike Plate (Not Needed on outswing doors) |
| 2. <a href="#">Interior Handle (RH Shown)</a>        | 7. <a href="#">Interior Nylon Bushing</a>            |
| 3. <a href="#">Passive Exterior Escutcheon Plate</a> | 8. <a href="#">Exterior Nylon Bushing</a>            |
| 4. <a href="#">Passive Interior Escutcheon Plate</a> | 9. <a href="#">Trim Set Gasket</a>                   |
| 5. <a href="#">Escutcheon Plate Bolts</a>            | 10. <a href="#">Spindle</a>                          |

### Encino® Hinged Patio Door Hardware - Double Trim Set

# 400 Series Frenchwood® Outswing Doors (1997 to 2016)

Single Panel, 2-Panel, and Stationary Panel

## Hardware

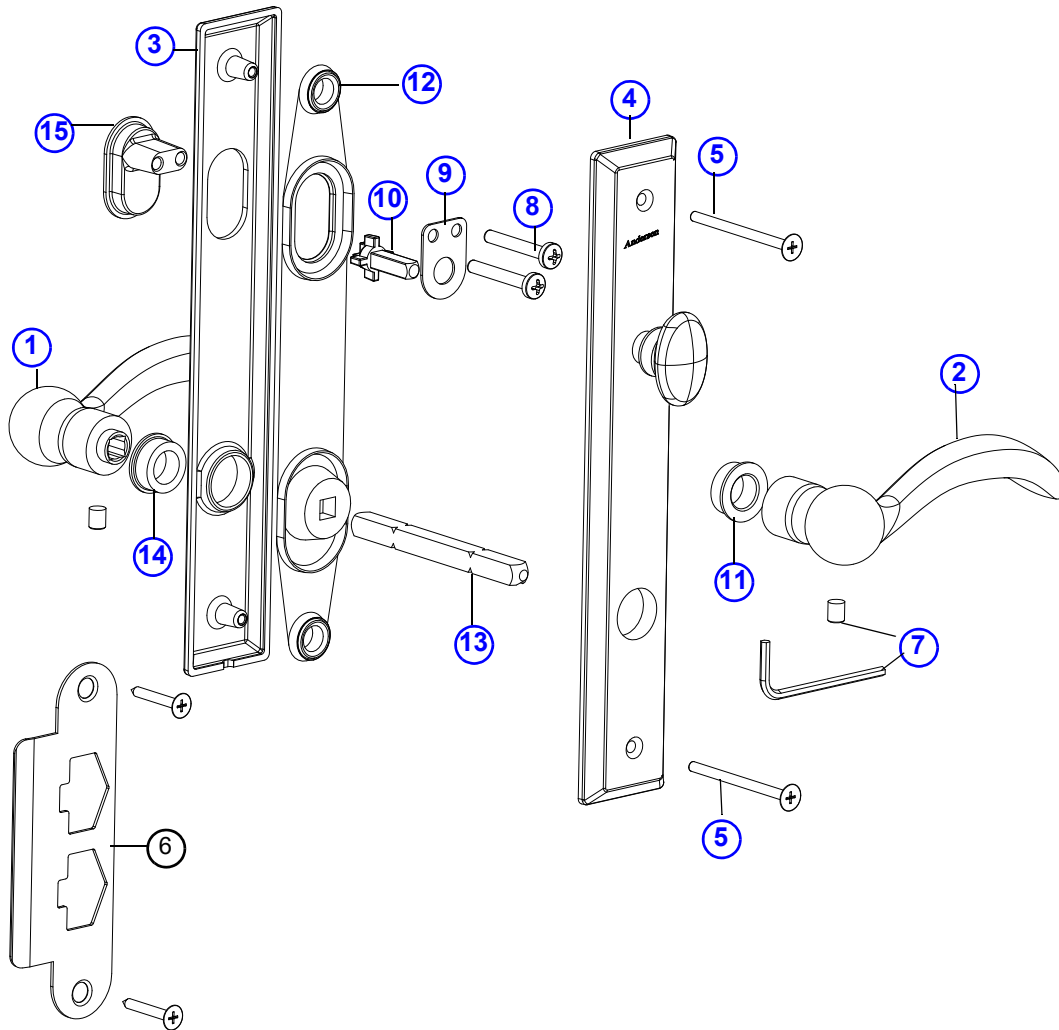
<b>Complete Trim Set - Encino / Interior and Exterior</b> See Illustration <a href="#">page 89</a> and <a href="#">page 90</a>				
	<b>Finish</b>	<b>Single</b>		<b>Double AP/PA</b>
	Distressed Bronze	2578927		2578928
	Distressed Nickel	2578929		2578930
<b>Trim Set - Encino / Interior</b> See Illustration <a href="#">page 65</a>				
	<b>Finish</b>	<b>Single</b>		<b>Double AP/PA</b>
		<b>Left</b>	<b>Right</b>	<b>Order No.</b>
	Distressed Bronze	2572696	2572789	2572697
Distressed Nickel	2572701	2572791	2572702	
<b>Trim Set - Encino / Exterior</b> See Illustration <a href="#">page 66</a>				
	<b>Finish</b>	<b>Single</b>		<b>Double AP/PA</b>
		<b>Left</b>	<b>Right</b>	<b>Order No.</b>
	Distressed Bronze	2572652	2572767	2572653
Distressed Nickel	2572656	2572769	2572657	
<b>Handle with Screws - Encino</b> Ref. No. 1 and 2 <a href="#">page 89</a> and <a href="#">page 90</a>				
	<b>Finish</b>	<b>Left</b>	<b>Right</b>	
	Distressed Bronze	2573789	2573790	
	Distressed Nickel	2573791	2573792	
<b>Escutcheon Plate - Encino / Exterior</b> No. 3 and 4 <a href="#">page 89</a> and <a href="#">page 90</a>				
	<b>Finish</b>	<b>Active</b>	<b>Passive</b>	
	Distressed Bronze	2573804	2573805	
	Distressed Nickel	2573808	2573809	
<b>Escutcheon Plate - Encino / Interior</b> No. 3 and 4 <a href="#">page 89</a> and <a href="#">page 90</a>				
	<b>Finish</b>	<b>Active</b>	<b>Passive</b>	
	Distressed Bronze	2573802	2573803	
	Distressed Nickel	2573806	2573807	

**Hardware**

**Hardware - Yuma®**

**Note:**

See [Accessory Guide 0005156](#).



- |   |  |  |
|---|--|--|
| 1. <a href="#">Exterior Handle (LH Shown)</a>       | 6. Strike Plate (Not Needed on outswing doors) | 11. <a href="#">Interior Nylon Bushing</a> |
| 2. <a href="#">Interior Handle (RH Shown)</a>       | 7. <a href="#">Handle Set Screw (Package)</a>  | 12. <a href="#">Trim Set Gasket</a>        |
| 3. <a href="#">Active Exterior Escutcheon Plate</a> | 8. <a href="#">Key Cylinder Mounting Bolts</a> | 13. <a href="#">Spindle</a>                |
| 4. <a href="#">Active Interior Escutcheon Plate</a> | 9. <a href="#">Lock Limiting Plate</a>         | 14. <a href="#">Exterior Nylon Bushing</a> |
| 5. <a href="#">Escutcheon Plate Bolts</a>           | 10. <a href="#">Lock Actuator</a>              | 15. <a href="#">Dummy Cylinder</a>         |

**Yuma® Hinged Patio Door Hardware - Single Trim Set**

# 400 Series Frenchwood® Outswing Doors (1997 to 2016)

Single Panel, 2-Panel, and Stationary Panel

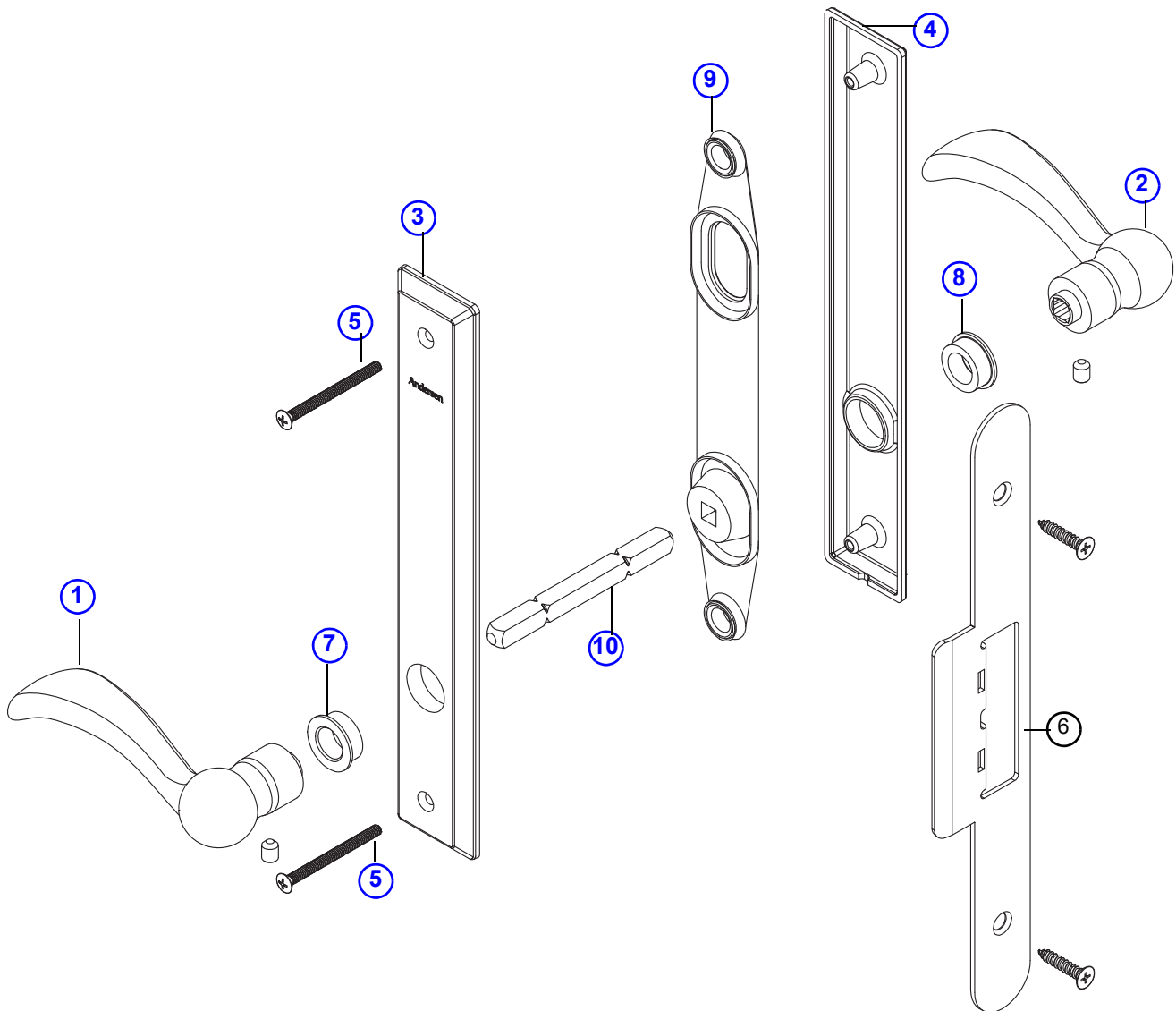
## Hardware

### Yuma® Hardware - Passive Hardware Illustration

**Note:**

See [Accessory Guide 0004286](#).

**Note: Additional parts with Double Hardware Set**



- |  |  |
|--|--|
| 1. <a href="#">Exterior Handle (LH Shown)</a>        | 6. AP/PA Strike Plate (Not Needed on outswing doors) |
| 2. <a href="#">Interior Handle (RH Shown)</a>        | 7. <a href="#">Interior Nylon Bushing</a>            |
| 3. <a href="#">Passive Exterior Escutcheon Plate</a> | 8. <a href="#">Exterior Nylon Bushing</a>            |
| 4. <a href="#">Passive Interior Escutcheon Plate</a> | 9. <a href="#">Trim Set Gasket</a>                   |
| 5. <a href="#">Escutcheon Plate Bolts</a>            | 10. <a href="#">Spindle</a>                          |

### Yuma® Hinged Patio Door Hardware - Double Trim Set

## Hardware

<b>Complete Trim Set - Yuma / Interior and Exterior</b> See Illustration <a href="#">page 92</a> and <a href="#">page 93</a>				
	<b>Finish</b>	<b>Single</b>		<b>Double AP/PA</b>
	Distressed Bronze	2578931		2578932
	Distressed Nickel	2578933		2578934
<b>Trim Set - Yuma / Interior</b> See Illustration <a href="#">page 65</a>				
	<b>Finish</b>	<b>Single</b>		<b>Double AP/PA</b>
		<b>Left</b>	<b>Right</b>	<b>Order No.</b>
	Distressed Bronze	2572698	2572790	2572699
Distressed Nickel	2572703	2572792	2572705	
<b>Trim Set - Yuma / Exterior</b> See Illustration <a href="#">page 66</a>				
	<b>Finish</b>	<b>Single</b>		<b>Double AP/PA</b>
		<b>Left</b>	<b>Right</b>	<b>Order No.</b>
	Distressed Bronze	2572654	2572768	2572655
Distressed Nickel	2572658	2572770	2572659	
<b>Handle with Screws - Yuma</b> Ref. No. 1 and 2 <a href="#">page 92</a> and <a href="#">page 93</a>				
	<b>Finish</b>	<b>Left</b>	<b>Right</b>	
	Distressed Bronze	2573789	2573790	
	Distressed Nickel	2573791	2573792	
<b>Escutcheon Plate - Yuma / Exterior</b> Ref. No. 3 and 4 <a href="#">page 92</a> and <a href="#">page 93</a>				
	<b>Finish</b>	<b>Active</b>	<b>Passive</b>	
	Distressed Bronze	2573812	2573813	
	Distressed Nickel	2573816	2573817	
<b>Escutcheon Plate - Yuma / Interior</b> Ref. No. 3 and 4 <a href="#">page 92</a> and <a href="#">page 93</a>				
	<b>Finish</b>	<b>Active</b>	<b>Passive</b>	
	Distressed Bronze	2573810	2573811	
	Distressed Nickel	2573814	2573815	

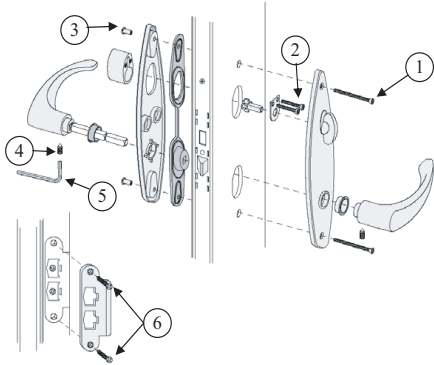
# 400 Series Frenchwood® Outswing Doors (1997 to 2016)

Single Panel, 2-Panel, and Stationary Panel

## Hardware

### Shared Trim Set Parts

#### Screw Package - Trim Set / Tribeca



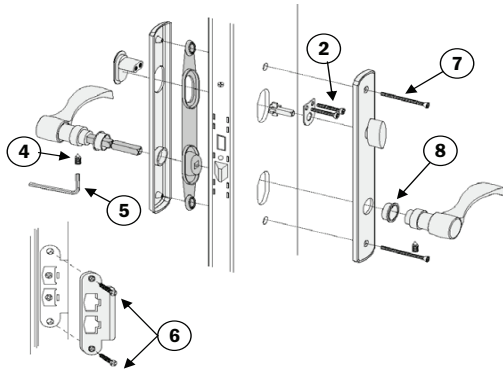
Ref. No.	Package Includes
1	2 - screw, #8 - 32 x 2 PH OH MS YZP
2	2 - screw, 5mm x 35 PH Pan MS YXP
6	2 - screw, #10 x 1" PH FH S/M/S
4	2 - screw, 1/4 - 20 UNC SS knurled cup point set
5	1 - 1/8 allen wrench

**Note:**

Threaded stud shown as #3 not included with this kit. See escutcheon plate bolt with stud [page 71](#)

Finish	Order No.
Stone	2579767
White	2579766

#### Screw Package - Trim Set / Other Hardware Styles (1995 to Present)



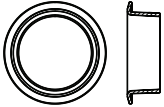
Ref. No.	Package Includes
6	2 - screw, #10 - 13 x 1" PH FL undercut wood
7	4 - screw, #8 - 32 UNC x 2 PH oval head mach
2	2 - screw, M5 x .8 - 35mm PH w/#10 fill HD mach zinc
8	4 - bushing, trim adaptor
4	4 - screw, 1/4 - 20 UNC SS knurled cup point set
5	1 - 1/8 allen wrench

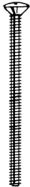
**Note:**

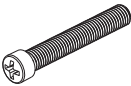
Chrome used for Brushed Chrome and Polished Chrome finishes.  
 To receive a white bushing order a Satin Nickel trim set screw pack.  
 To receive a black bushing order an Oil Rubbed Bronze trim set screw pack.  
 Oil Rubbed Bronze introduced in 2001.  
 Satin Nickel introduced in 2003.  
 Distressed Bronze and Distressed Nickel introduced in 2004.  
 Albany style introduced in 2009.

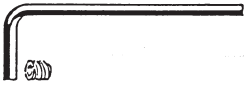
Finish	Order No.
Stone (Albany)	9056230
White (Albany)	9056231
Antique Brass	2579757
Bright Brass	2579756
Chrome	N/A
Satin Nickel	2579390
Distressed Nickel	2573819
Oil Rubbed Bronze	2579760
Distressed Bronze	2573819
Gold Dust (Albany)	N/A
Black (Albany)	9019320

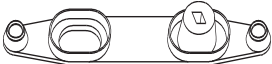
## Hardware

Bushings			
	<p><b>Note:</b> Tribeca® handles have unique bushing <a href="#">page 71</a>.</p> <p>White and black bushings available as part of the trim set screw package <a href="#">page 95</a>. White to use Bright Chrome trim set screw pack and black to use Oil Rubbed Bronze trim set screw pack.</p> <p>Replace the old style gold bushing used prior to 1999 with clear bushing <a href="#">page 71</a>.</p>	Color	Order No.
		White	N/A
		Black	N/A

Bolt - Escutcheon Plate			
	Description	Finish	Order No.
	Qty 2 -#8-32 UNC x 2 panhead oval	Stone (with stud)	2579855
	<p><b>Note:</b> Distressed Bronze uses Oil Rubbed Bronze.</p> <p>Escutcheon plate bolt ships as part of the trim set screw package, <a href="#">page 95</a></p>	White (with stud)	2579842
		Antique Brass	N/A
		Bright Brass	N/A
		Polished Chrome	N/A
		Brushed Chrome	N/A
		Satin Nickel	N/A
		Oil Rubbed Bronze	N/A
		Distressed Bronze	N/A
Distressed Nickel		N/A	

Key Cylinder Mounting Bolt		
	Description	Order No.
	<p>Qty 2 - M5 x .8-35mm, PH with #10 fill HD, mach, zinc</p> <p><b>Note:</b> Key cylinder mounting bolt is included in trim set hardware pack <a href="#">page 95</a>.</p>	2579824

Set Screw Package - Handle (All styles) (1999 to 2016)		
	Package includes:	Order No.
	<p>4 - 1/4-20 UNC knurled cup point set screws</p> <p>1 - 1/8 Allen wrench</p> <p><b>Note:</b> Replacement set screw finish may not match original. Set Screw Package is included in trim set hardware pack <a href="#">page 95</a>. Vintage set screw packages available in Service Replacement section <a href="#">page 146</a></p>	2579829

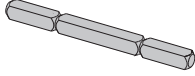
Gasket - Trim Set / Other Hardware Styles		
	Note:	Order No.
	Use for all trim set styles except Tribeca.	2962512




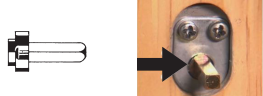
# 400 Series Frenchwood® Outswing Doors (1997 to 2016)

Single Panel, 2-Panel, and Stationary Panel

## Hardware

Spindle			
	<b>Note:</b> The standard spindle is 3 3/4". The 4 3/4" spindle is used with one handle extender. The 5 3/4" spindle is used with two handle extenders.	<b>Length</b>	<b>Order No.</b>
		3 3/4"	2579830
		4 3/4"	2579831
		5 3/4"	2579832

Lock Limiting Plate with Tab		
		<b>Order No.</b>
		2579540

Lock Actuator		
<b>Note:</b> See <a href="#">Lock Actuator Replacement Video</a> .		
		<b>Order No.</b>
		2579542

## Hardware

### Lock Mechanisms / Current

**Note:**

Lock mechanisms for custom sized doors are made to order. Product ID label is located on top edge of operating panel. See [Service Guide 0005233](#). See [Service Guide 0005204](#) to change handing. See [Latch Handing Video](#).

To order, state:

1. Description of part (Lock Mechanism, Active or Passive)
2. Quantity
3. Product ID (from product label, see [Service Guide 9051877](#))

### Lock Mechanism - 3 Point / Stainless Steel / Active (March 2003 to 2016)

**Note:**

See [Service Guide 0005233](#). See [Service Guide 0005204](#) to change handing. See [Latch Handing Video](#).



**Note:**

- Stainless steel active lock mechanism replaces all previous vintage active lock mechanisms
- If **existing** lock has a label the graphics and text will be black
- \*\*"Custom" length (68 1/2, 69 1/2 and 610) part numbers introduced in February 2022.



Unit No.	Order No.
<b>FWH68</b>	2579771
<b>*FWH68 1/2</b>	9192841
<b>*FWH69 1/2</b>	9192840
<b>*FWH69 3/4</b>	9192842
<b>*FWH610</b>	9192839
<b>FWH611</b>	2579772
<b>FWH76</b>	2578189
<b>FWH80</b>	2579773

### Lock Mechanism Screw - Stainless Steel

	Description	Order No.
	8-18 x 2" TYPE AB	2579415
	<b>Note:</b> 68 and 611 doors use 13 screws; 80 doors use 14 screws.	

## 400 Series Frenchwood® Outswing Doors (1997 to 2016)

*Single Panel, 2-Panel, and Stationary Panel*

### Hardware

#### Lock Mechanism - Stainless Steel / Passive *(March 2003 to 2016)*



<b>Note:</b> <ul style="list-style-type: none"> <li>•Replace a stainless steel passive lock with a stainless steel passive replacement lock.</li> <li>•Zinc dichromate lock no longer available; use stainless steel lock kit <a href="#">page 99</a> as replacement.</li> <li>•**“Custom” length (69 1/2, 69 3/4 and 610) part numbers introduced in February 2022.</li> </ul>	<b>Unit No.</b>	<b>Type</b>	<b>Order No.</b>
	<b>FWH68</b>	<b>AP/PA</b>	2579777
	<b>*FWH69 1/2</b>	<b>AP/PA</b>	9192837
	<b>*FWH69 3/4</b>	<b>AP/PA</b>	9192838
	<b>*FWH610</b>	<b>AP/PA</b>	9192839
	<b>FWH611</b>	<b>AP/PA</b>	2579778
	<b>FWH76</b>	<b>AP/PA</b>	2578191
	<b>FWH80</b>	<b>AP/PA</b>	2579779

#### Lock Mechanism Screw - Stainless Steel

	<b>Description</b>	<b>Order No.</b>
	8-18 x 2" TYPE AB  <b>Note:</b> 68 and 611 doors use 13 screws; 80 doors use 14 screws.	2579415

#### Lock Mechanism - Passive / Zinc Dichromate *(1993 to March 2003)*

<b>Note:</b> The zinc dichromate (gold finish appearance) passive lock is no longer available. Replace with stainless steel lock kit.  68 AP/PA <a href="#">2573472</a> 611 AP/PA <a href="#">2573473</a> 80 AP/PA <a href="#">2573474</a>	<b>Unit No.</b>	<b>Type</b>	<b>Order No.</b>
	<b>FWH68</b>	<b>AP/PA</b>	N/A
	<b>FWH611</b>	<b>AP/PA</b>	N/A
	<b>FWH80</b>	<b>AP/PA</b>	N/A

## Hardware

### Lock Mechanism - Replacement Kit / Passive (1993 to March 2003)



**Note:**  
The zinc dichromate (gold finish appearance) passive lock is no longer available. Upgrade with stainless steel lock kit.

The kit requires [Service Guide 0005516](#).

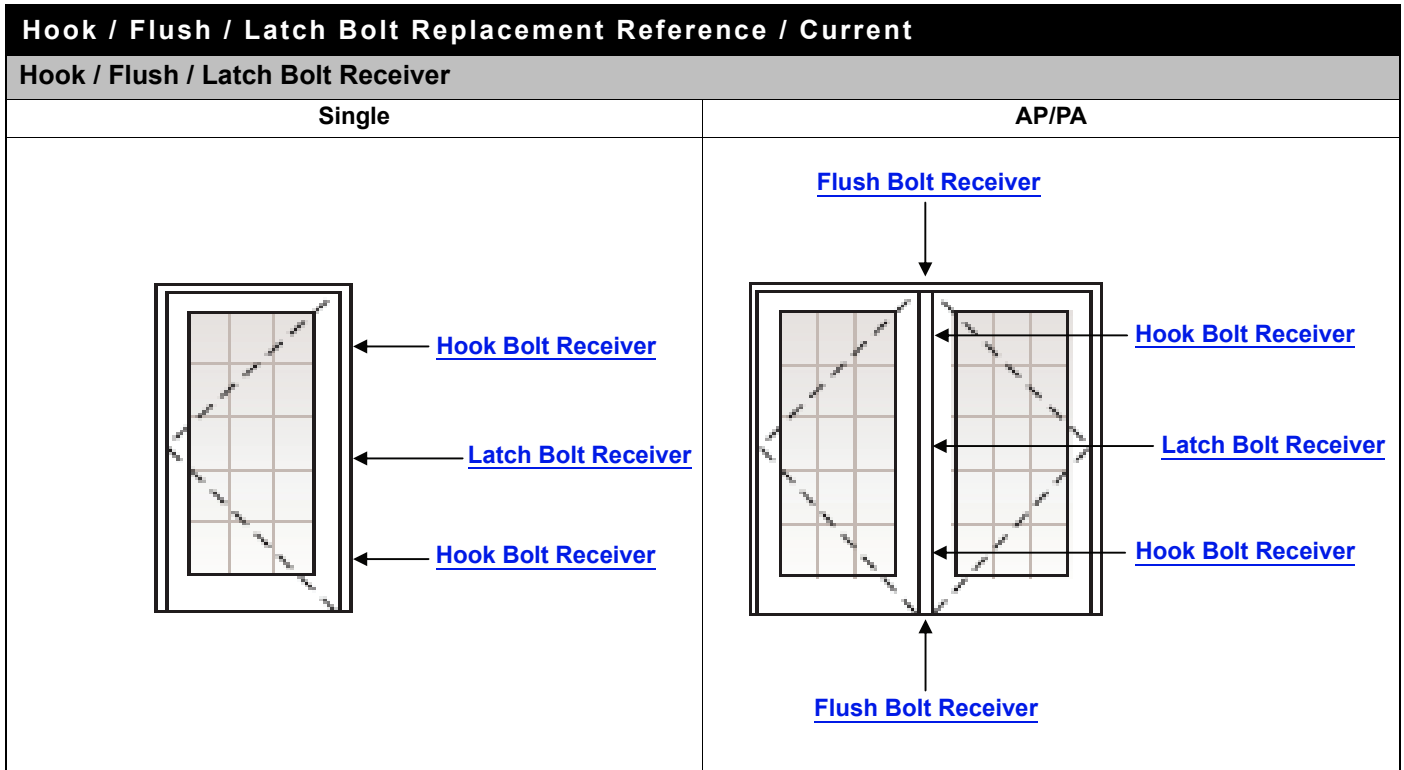
**Kit includes:**  
 1 - Service Guide  
 1 - Stainless steel passive lock mechanism  
 2 - Hook bolt receiver  
 2 - Flush bolt receiver  
 1 - Latch receiver blocker

Unit No.	Type	Order No.
FWH68	AP/PA	2573472
FWH611	AP/PA	2573473
FWH80	AP/PA	2573474

# 400 Series Frenchwood® Outswing Doors (1997 to 2016)

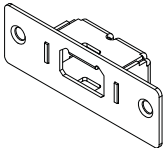

Single Panel, 2-Panel, and Stationary Panel

## Hardware

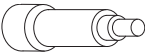


## Hardware



### Hook Bolt Parts / Current

Hook Bolt Receiver (March 2003 to 2016) Ref. <a href="#">page 101</a>		
<p><b>Note:</b> Use with stainless steel lock mechanism. Single fasteners, <a href="#">page 99</a>. AP/PA fasteners, <a href="#">page 33</a>.</p> <p>Hook bolt parts prior to March 2003 are available in the service only section <a href="#">page 147</a>.</p>		
	<b>Single</b>	<b>AP/PA</b>
	2579790	2579764

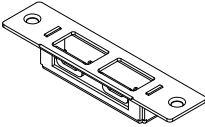
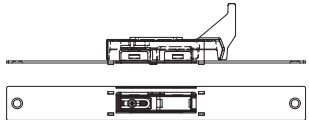
### Hook Bolt Blocker

	<p><b>Note:</b> Use with stainless steel lock mechanism. Used on AP/PA units.</p>	<b>Order No.</b>
		2579786

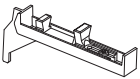
### Flush Bolt Parts / Current

Flush Bolt Receiver Ref. <a href="#">page 101</a>		
<p><b>Note:</b> Use with stainless steel lock mechanism. Fasteners, <a href="#">page 99</a>.</p> <p>Flush bolt parts prior to March 2003 are available in the service only section <a href="#">page 148</a>.</p>		
	<b>Head AP/Sill PA</b>	<b>Head PA/Sill AP</b>
	2579788	2579789

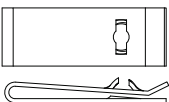
### Latch Bolt Parts / Current

Latch Bolt Receiver Ref. <a href="#">page 101</a>		
<p><b>Note:</b> Use with stainless steel lock mechanism. Single fasteners, <a href="#">page 99</a>. AP/PA fasteners, <a href="#">page 33</a>.</p> <p>Previous vintage single latch bolt receivers are available in the service only section <a href="#">page 148</a>.</p>		
	<b>Single</b>	<b>AP/PA w/Blocker</b>
	2579791	2579787

### Latch Blocker

	<p><b>Note:</b> Previous vintage blockers are available in the service only section <a href="#">page 148</a>. See <a href="#">blocker insert</a>.</p>	<b>Order No.</b>
		2579402

### U Clip (March 2003 to 2016)

	<p><b>Note:</b> Use with stainless steel lock mechanism. Used on AP/PA latch bolt receiver.</p>	<b>Order No.</b>
		2579427

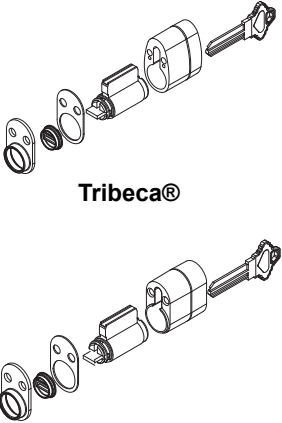
# 400 Series Frenchwood® Outswing Doors (1997 to 2016)

Single Panel, 2-Panel, and Stationary Panel

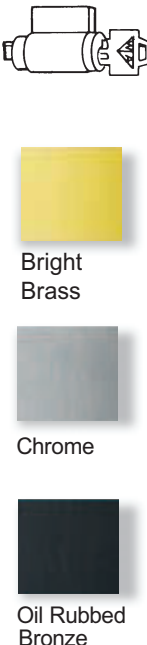
## Hardware

### Key Lock Parts / Current

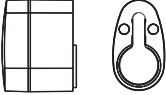
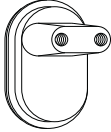
#### Exterior Keyed Lock Assembly


 <p><b>Tribeca®</b></p> <p><b>All Other Styles</b></p>	<p><b>Note:</b> Parts included: lock spacer, tail piece seal, spacer gasket, seal, key cylinder, housing, and key. Keyed alike assembly only available in quantities of two or more. See <a href="#">Accessory Guide 0005155</a>.</p>	<b>Finish</b>	<b>Keyed Assembly</b>	<b>Keyed Alike Assembly</b>
		Stone (Tribeca)	2579722	9056143
		Stone (Albany)	9007621	9056142
		White (Tribeca)	2579721	9056145
		White (Albany)	9007620	9056144
		Antique Brass	2579519	9056133
		Bright Brass	2579499	9056135
		Polished Chrome	2579596	9056140
		Brushed Chrome	2579753	9056136
		Satin Nickel	2579457	9056141
		Oil Rubbed Bronze/ Distressed Bronze	2579752	9056139
		Distressed Nickel	2573827	9056137
		Gold Dust	9007622	9056138
		Black	9007623	9056134

#### Lock Cylinder with Keys

 <p><b>Bright Brass</b></p> <p><b>Chrome</b></p> <p><b>Oil Rubbed Bronze</b></p>	<p><b>Note:</b> Lock cylinders are available in three finishes: Bright Brass, Chrome and Oil Rubbed Bronze. The table to the right shows the recommended selection for each trim set finish. Lock cylinders with keys “keyed alike” are available to order at an additional cost.</p>	<b>Finish</b>	<b>Order No.</b>
		Stone (Tribeca)	2579641
		Stone (Albany)	2579641
		White (Tribeca)	2579641
		White (Albany)	2579641
		Antique Brass	2579637
		Bright Brass	2579637
		Polished Chrome	2579641
		Brushed Chrome	2579641
		Satin Nickel	2579641
		Oil Rubbed Bronze	2579389
		Distressed Bronze	2579389
		Distressed Nickel	2579641
		Gold Dust	2579641
Black	2579389		

## Hardware

Lock Set Dummy Cylinder																																				
 <p><b>Tribeca®</b></p>  <p><b>All Other Styles</b></p>	<p><b>Note:</b> Old style and current vintage cylinders are interchangeable.</p> <p>* 060 Antique Brass finish was offered for sale from 1/99 to 7/99. The finish is commonly referred to as "chocolate brown."</p>	<table border="1"> <thead> <tr> <th>Finish</th> <th>Order No.</th> </tr> </thead> <tbody> <tr> <td>Stone (Tribeca)</td> <td>2579860</td> </tr> <tr> <td>Stone (Albany)</td> <td>9056226</td> </tr> <tr> <td>White (Tribeca)</td> <td>2579847</td> </tr> <tr> <td>White (Albany)</td> <td>9056227</td> </tr> <tr> <td>Antique Brass</td> <td>2579581</td> </tr> <tr> <td>*060 Antique Brass</td> <td>2579741</td> </tr> <tr> <td>Bright Brass</td> <td>2579621</td> </tr> <tr> <td>Bright Brass</td> <td>2579621</td> </tr> <tr> <td>Polished Chrome</td> <td>2579582</td> </tr> <tr> <td>Brushed Chrome</td> <td>2579964</td> </tr> <tr> <td>Satin Nickel</td> <td>2579438</td> </tr> <tr> <td>Oil Rubbed Bronze</td> <td>2579963</td> </tr> <tr> <td>Distressed Bronze</td> <td>2573781</td> </tr> <tr> <td>Distressed Nickel</td> <td>2573782</td> </tr> <tr> <td>Gold Dust</td> <td>9056228</td> </tr> <tr> <td>Black</td> <td>9056229</td> </tr> </tbody> </table>	Finish	Order No.	Stone (Tribeca)	2579860	Stone (Albany)	9056226	White (Tribeca)	2579847	White (Albany)	9056227	Antique Brass	2579581	*060 Antique Brass	2579741	Bright Brass	2579621	Bright Brass	2579621	Polished Chrome	2579582	Brushed Chrome	2579964	Satin Nickel	2579438	Oil Rubbed Bronze	2579963	Distressed Bronze	2573781	Distressed Nickel	2573782	Gold Dust	9056228	Black	9056229
		Finish	Order No.																																	
		Stone (Tribeca)	2579860																																	
		Stone (Albany)	9056226																																	
		White (Tribeca)	2579847																																	
		White (Albany)	9056227																																	
		Antique Brass	2579581																																	
		*060 Antique Brass	2579741																																	
		Bright Brass	2579621																																	
		Bright Brass	2579621																																	
		Polished Chrome	2579582																																	
		Brushed Chrome	2579964																																	
		Satin Nickel	2579438																																	
		Oil Rubbed Bronze	2579963																																	
		Distressed Bronze	2573781																																	
Distressed Nickel	2573782																																			
Gold Dust	9056228																																			
Black	9056229																																			

Blank Reachout Lock Key				
 <p>parts.andersenwindows.com</p>	<p><b>Note:</b></p>	<table border="1"> <thead> <tr> <th>Order No.</th> </tr> </thead> <tbody> <tr> <td>2573561</td> </tr> </tbody> </table>	Order No.	2573561
		Order No.		
2573561				



# 400 Series Frenchwood® Outswing Doors (1997 to 2016)

Single Panel, 2-Panel, and Stationary Panel

## Hardware

### Hinge Parts / Current


**Note:**

The hinge receiver is not replaceable. To replace receiver, replace the entire panel. [Service Guide 0005226](#).


### Leaf Hinge - Adjustable

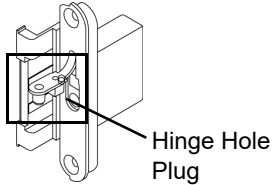
**Note:**

Upgrade finishes available in A Series Outswing hinge parts section.


	<p><b>Note:</b> Hinge leaf screws not included with hinge leaf shown below.</p>	<b>Color</b>	<b>Left</b>	<b>Right</b>
		White	2573336	2573335
		Terratone	2668526	2668525
		Sandtone	0924518	0924517
		Forest Green	1269103	1269102

### Screw - Leaf Hinge

	<b>Description</b>	<b>Color</b>	<b>Order No.</b>
	10-24 x 1/2 PH flat 118 - 8SS	White	2573331
	<p><b>Note:</b> Quantity of four used per hinge leaf.</p>	Terratone	2668524
		Sandtone	0924516
		Forest Green	1269056

 <p>Hinge Hole Plug</p>	<b>Gray</b>
	2579988

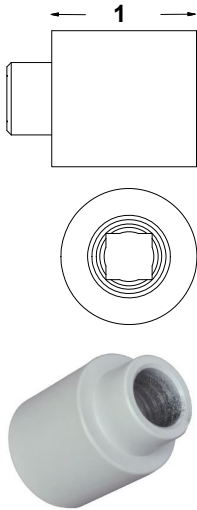
### Hex Adjuster Wrench

	<p><b>Kit includes:</b> Hex wrench, installation and hinge <a href="#">Service Guide 0005226</a>.</p>	<b>Order No.</b>
		2579045

## Hardware

### Miscellaneous Hardware Parts

#### Handle Extender - 1"



**Note:**

Handle extenders are made for handles 1999 to 2016.  
See [Installation Video](#).

Finish	Order No.
Stone (Tribeca)	2579851
White (Tribeca)	2579838
Antique Brass	2579820
Bright Brass	2579821
Polished Chrome	2579819
Brushed Chrome	2579908
Satin Nickel	2579440
Oil Rubbed Bronze	2579907
Distressed Bronze	2573787
Distressed Nickel	2573788
Gold Dust	9007632
Black	9007633

# 400 Series Frenchwood® Outswing Doors (1997 to 2016)

Single Panel, 2-Panel, and Stationary Panel

## Hardware

<b>Fasteners</b>			
<b>Note:</b>			
<b>Screw - Insect Screen / Latch to Astragal and Receiver Side Jambs / Stainless Steel</b>			
	<b>Size</b>	<b>Head</b>	<b>Order No.</b>
	#8	Round head	-
<b>Screw - Corner Lock / Head and Sill / Head Jamb Subassembly / Stainless Steel</b>			
	<b>Size</b>	<b>Head</b>	<b>Order No.</b>
	#7	Flat head	-
<b>Screw - Astragal to Sill and Center to Wood / Steel</b>			
	<b>Size</b>	<b>Head</b>	<b>Order No.</b>
	#8	Pan head	-
<b>Screw - Astragal to Head Jamb / Steel</b>			
	<b>Size</b>	<b>Head</b>	<b>Order No.</b>
	#8	Flat head	-
<b>Screw - Astragal Receiver</b>			
	<b>Size</b>	<b>Order No.</b>	
	10-12 x 3 1/2		2573333
<b>Screw - Frame Assembly / Stationary Panel Installation / Steel</b>			
	<b>Size</b>	<b>Head</b>	<b>Order No.</b>
	#10	Flat head	1973113
<b>Screw - Lock Hardware to Lock Stile / Steel</b>			
	<b>Size</b>	<b>Head</b>	<b>Order No.</b>
	#8	Flat head	2579415
<b>Screw - Astragal / Side Jambs, Head Jambs and Sill / Steel</b>			
	<b>Size</b>	<b>Head</b>	<b>Order No.</b>
	#10	Flat head	-
<b>Screw - Oak / Sill Step to Sill Core / Brass</b>			
	<b>Size</b>	<b>Head</b>	<b>Order No.</b>
	8-15 x 1 1/2 TYP 17	Flat head	3621310
<b>Screw - Watershed Bar to Panel / Stainless Steel</b>			
	<b>Size</b>	<b>Head</b>	<b>Order No.</b>
	#6	Oval head	N/A
<b>Screw - Hardware to Stiles and Astragal to Stationary Panel / Steel</b>			
	<b>Size</b>	<b>Head</b>	<b>Order No.</b>
	#10	Flat head	-
<b>Screw - SAS Units Hinge / Astragal to Stationary Panel / Steel</b>			
	<b>Size</b>	<b>Head</b>	<b>Order No.</b>
	#10	Flat head	-
<b>Screw - SAS Units Insect Screen / Bumper to Sill / Stainless Steel</b>			
	<b>Size</b>	<b>Head</b>	<b>Order No.</b>
	#8	Flat head	-
<b>Screw - SAS Units Insect Screen / Bumper to Head Jamb / Stainless Steel</b>			
	<b>Size</b>	<b>Head</b>	<b>Order No.</b>
	#8	Flat head	-

## Hardware

Screw - Astragal End Cap (AP/PA) / Stainless Steel			
	Size	Head	Order No.
	#6	Flat head	-
Screw - Astragal End to Passive Panel (AP/PA) / Zinc Dichromate			
	Size	Head	Order No.
	#10	Flat head	-
Screw - Operating Bottom Rail Filler / Steel			
	Size	Head	Order No.
	#8	Flat head	1361962
Screw - Sash Laminate Kit / Steel			
	Size	Head	Order No.
	#8	Flat head	-
Screw - Subassembly / Steel			
	Size	Head	Order No.
	#10	Flat head	-
Screw			
Note:	Description	Order No.	
Secures single hook bolt receiver <a href="#">page 102</a> , single latch bolt receiver <a href="#">page 102</a> and flush bolt receiver <a href="#">page 102</a> .	10-12 x 1 TYP 17 PH FL 18-8 SS	2579413	
Screw			
	Description	Order No.	
	10-12 x 3 TYP 17 PH FH	2579759	
Screw			
	Description	Order No.	
	8-15 x 1 1/2 TYP 17 PH FL 18-8 SS	2579418	

# 400 Series Frenchwood® Outswing Doors (1997 to 2016)

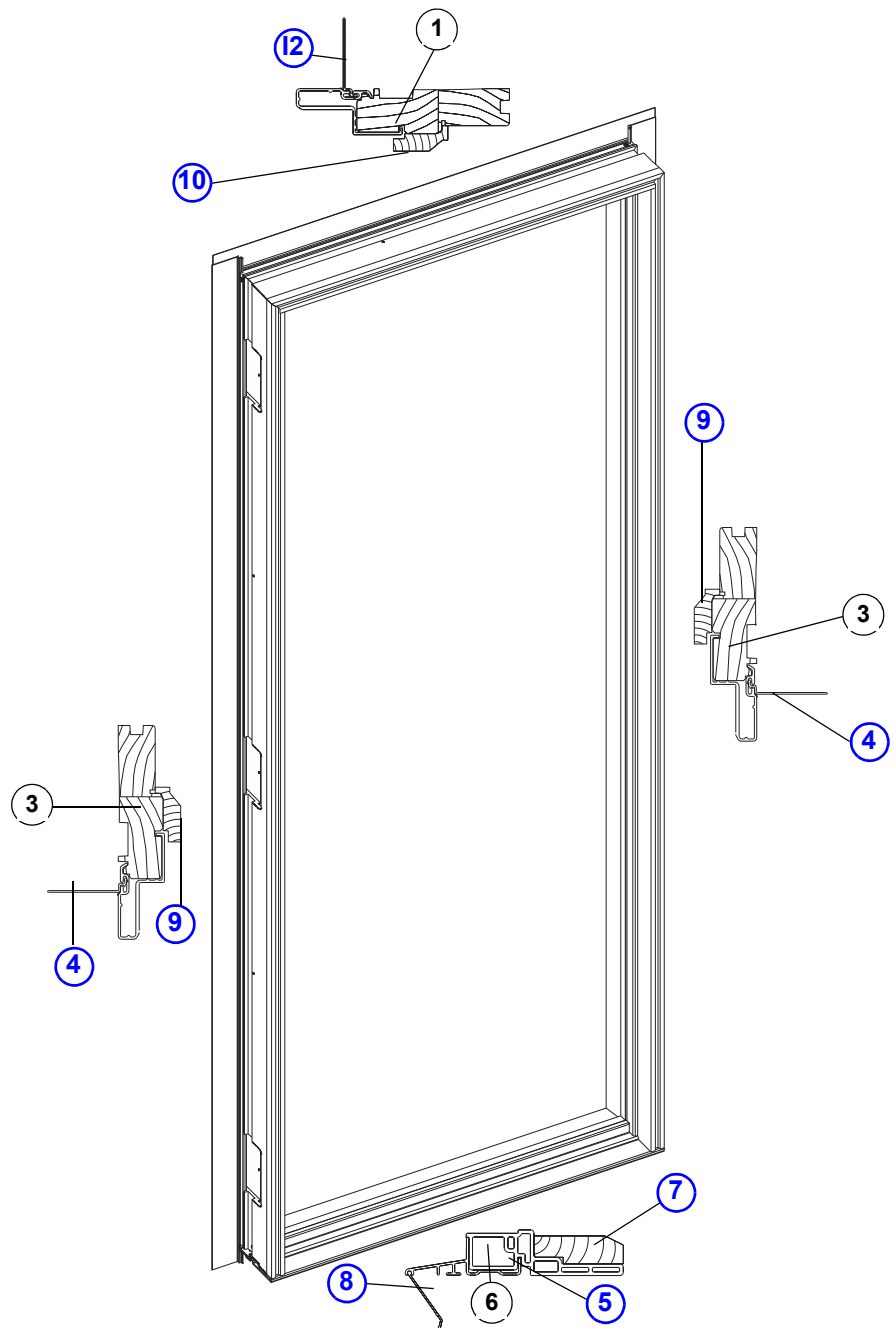
Single Panel, 2-Panel, and Stationary Panel

## Frames

### Frames Assembly

**Note:**

See [Product Details](#). Frame and head/side jambs N/A. Replacement option is A-Series FWOD unit.



1. Head Jamb
2. [Installation Flange, Head](#)
3. Side Jamb
4. [Installation Flange, Side](#)
5. [Sill](#)
6. Sill Drainage Channel
7. [Sill Step](#)
8. [Sill Support](#)
9. [Panel Stop, Sides](#)
10. [Panel Stop, Head](#)

**Frenchwood Outswing Door Frame Assembly - Single Panel**

*Unit viewed from interior*

## Frames

### Sill Components

Sill Step Ref. No. 7 [page 109](#)

**Note:**

Sits horizontally on interior edge of sill. Screw package must be ordered separately. See [Track filler](#) when customer has a retractable screen.

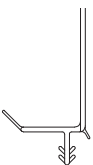
Unit No.	Dimensions	# of Screw Holes	Oak	Maple	Unit No.	Dimensions	# of Screw Holes	Oak	Maple
FWO21	22 <sup>7</sup> / <sub>16</sub>	3	2578288	9020353	FWO41AP/PA	45 <sup>15</sup> / <sub>16</sub>	5	2578289	9020354
FWO27	28 <sup>1</sup> / <sub>16</sub>	3	2578621	9013815	FWO50AP/PA	57 <sup>7</sup> / <sub>32</sub>	6	2578630	9013820
FWO29	30 <sup>1</sup> / <sub>16</sub>	4	2578623	9013816	FWO54AP/PA	61 <sup>7</sup> / <sub>32</sub>	6	2578632	9013821
FWO31	34 <sup>1</sup> / <sub>16</sub>	4	2578625	9013817	FWO60AP/PA	69 <sup>7</sup> / <sub>32</sub>	6	2578633	9013822

### Sill Step Screw Package

Description	Order No.
Qty 6 - #8 x 1 1/2 brass PH FL	9055480

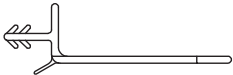
### Installation Flanges

#### Flange - Head



Unit No.	Length	Order No	Unit No.	Length	Gray
FWH21	27 <sup>1</sup> / <sub>32</sub>	2578301	FWH50	61 <sup>13</sup> / <sub>16</sub>	2578308
FWH27	32 <sup>21</sup> / <sub>32</sub>	2578302	FWH54	65 <sup>13</sup> / <sub>16</sub>	2578310
FWH29	34 <sup>21</sup> / <sub>32</sub>	2578304	FWH60	73 <sup>13</sup> / <sub>16</sub>	2578312
FWH31	38 <sup>21</sup> / <sub>32</sub>	2578306	FWH80	97 <sup>23</sup> / <sub>32</sub>	2578314
FWH41	50 <sup>9</sup> / <sub>16</sub>	2578307	FWH90	109 <sup>23</sup> / <sub>32</sub>	2578318

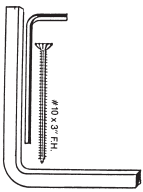
#### Flange - Side (Pair)



Unit No.	Length	Gray
FWH68	80 <sup>1</sup> / <sub>4</sub>	2550026
FWH611	83 <sup>5</sup> / <sub>32</sub>	2427016
FWH76	90 <sup>1</sup> / <sub>4</sub>	2577697
FWH80	96 <sup>1</sup> / <sub>4</sub>	2572536

### Installation Kits

#### Installation Kit with Screws



<b>Kit includes:</b> 1 - Adjustment <a href="#">Installation Guide 0005221</a> . 16 - #10 x 3" Installation screws	<b>Single-Stat</b>
	2579043
<b>Kit includes:</b> 4 - #10 x 3" Installation screws 1 - Allen Wrench 1 - Hinge <a href="#">Service Guide 0005226</a> . 1 - <a href="#">Service Guide 0005225</a> . 1 - Temporary Lock Handle 24 - #10 x 3" Installation screws	<b>1 &amp; 2 Panel</b>
	2579044

# 400 Series Frenchwood® Outswing Doors (1997 to 2016)

Single Panel, 2-Panel, and Stationary Panel

## Frames

### Installation Kit - Doors

**Note:**

Used for rectangular openings up to 72" x 83". See [Installation Guide 9080775](#).



**Kit Includes:**

- (1) Backer Rod - 20 ft.
- (64) Shims
- (54) Fasteners - 1 1/2" Roofing nails
- (1) Self-Adhering Flashing Tape - 22 ft.
- (1) Flexible Sill Flashing Tape - 7 ft.
- (1) Insulating Foam - 12 oz. can
- (3) Sealant - 10.1 oz. tube
- Installation Guide

**Product Line(s)**

Multiple

**Order No.**

9080774

## Frames

### Panel Stops

#### Panel Stop - Head Ref. No. 10 [page 109](#)

**Note:**

Head and side stops have the same profile.

	Unit No.	Dimensions	PINE	MAPLE	OAK	Interior White
	<b>FWO21</b>	22 <sup>7</sup> / <sub>16</sub>	2573298	2509581	2509665	2573447
	<b>FWO27</b>	28 <sup>1</sup> / <sub>16</sub>	2573301	2509582	2509666	2573448
	<b>FWO29</b>	30 <sup>1</sup> / <sub>16</sub>	2573302	2509583	2509667	2573449
	<b>FWO31</b>	34 <sup>1</sup> / <sub>16</sub>	2573303	2509584	2509668	2573450
	<b>FWO41</b>	45 <sup>7</sup> / <sub>16</sub>	2573299	2509585	2509669	2573451
	<b>FWO50</b>	57 <sup>3</sup> / <sub>16</sub>	2573304	2509586	2509670	2573452
	<b>FWO54</b>	61 <sup>3</sup> / <sub>16</sub>	2573305	2509587	2509671	2573453
<b>FWO60</b>	69 <sup>3</sup> / <sub>16</sub>	2573306	2509588	2509672	2573454	

#### Panel Stop - Side Ref. No. 9 [page 109](#)

**Note:**

Handing determined by location on unit as viewed from exterior.

Unit No.	Dimensions	PINE		MAPLE		OAK		Interior White	
		Left	Right	Left	Right	Left	Right	Left	Right
<b>FWO68</b>	77 <sup>31</sup> / <sub>64</sub>	2573307	2573310	2509597	2509598	2509681	2509682	2573456	2573455
<b>FWO611</b>	80 <sup>23</sup> / <sub>64</sub>	2573308	2573311	2509599	2509601	2509683	2509684	2573458	2573457
<b>FWO80</b>	93 <sup>31</sup> / <sub>64</sub>	2573309	2573312	2509602	2509603	2509685	2509686	2573460	2573459

#### Panel Stop - Sill / Stationary

	Unit No.	Dimensions	PINE	MAPLE	OAK	Interior White
	<b>FWO21</b>	21 <sup>1</sup> / <sub>32</sub>	2573328	2509604	2509687	2573461
	<b>FWO27</b>	26 <sup>21</sup> / <sub>32</sub>	2573325	2509605	2509688	2573462
	<b>FWO29</b>	28 <sup>21</sup> / <sub>32</sub>	2573326	2509606	2509689	2573463
	<b>FWO31</b>	32 <sup>21</sup> / <sub>32</sub>	2573327	2509607	2509690	2573464

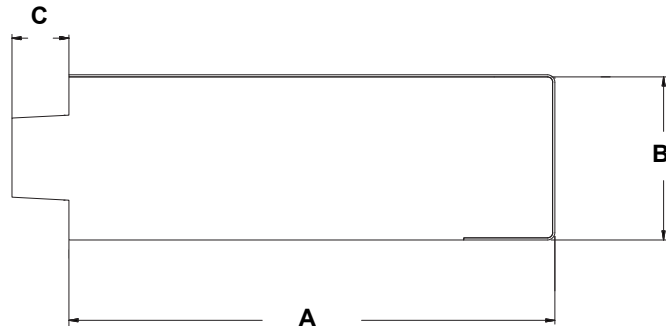


# 400 Series Frenchwood® Outswing Doors (1997 to 2016)

Single Panel, 2-Panel, and Stationary Panel

## Frames

### Extension Jamb



	Dim A	Dim B	Dim C
5 1/4	11/16	11/16	15/64
6 9/16	2	11/16	15/64
7 1/8	2 9/16	11/16	15/64

Frenchwood Outswing Extension Jamb

### Extension Jamb without Strike - Interior / Head and Side Set / Pine

Note: Head extension jamb may need to be cut down. Single active doors use stationary (S) extension jamb set. Sizes > 5 1/4" are pre-drilled.	Unit No.	5 1/4"	6 9/16"	7 1/8"
		<b>FWO/FWH68AP/PA/SS</b>	2577210	2577310
	<b>FWO/FWH68SAS/SSS</b>	2577208	2577308	2577408
	<b>FWO/FWH68S</b>	2577204	2577304	2577404
	<b>FWO/FWH611AP/PA/SS</b>	2577211	2577311	2577411
	<b>FWO/FWH611SAS</b>	2577209	2577309	2577409
	<b>FWO/FWH611S</b>	2577205	2577305	2577405
	<b>FWH80AP/PA/SS</b>	2577234	2577334	2577434
	<b>FWH80SAS/SSS</b>	2577232	2577332	2577432
	<b>FWH80S</b>	2577226	2577326	2577426

### Extension Jamb without Strike - Interior / Head and Side Set / Painted White

Note: Head extension jamb may need to be cut down. Single active doors use stationary (S) extension jamb set.	Unit No.	5 1/4"	6 9/16"	7 1/8"
		<b>FWO/FWH68AP/PA/SS</b>	2572355	2572461
	<b>FWO/FWH68SAS/SSS</b>	2572354	2572460	2572570
	<b>FWO/FWH68S</b>	2572353	2572459	2572569
	<b>FWO/FWH611AP/PA/SS</b>	2572360	2572466	2572576
	<b>FWO/FWH611SAS</b>	2572359	2572465	2572575
	<b>FWO/FWH611S</b>	2572358	2572464	2572574
	<b>FWH80AP/PA/SS</b>	2572367	2572473	2572583
	<b>FWH80SAS/SSS</b>	2572366	2572472	2572582
	<b>FWH80S</b>	2572365	2572471	2572581

## Frames

### Miscellaneous Frame Parts

#### Sill Support with Screws Ref. No. 8 [page 109](#)

		Size	Gray
		50, 41	1997054
		60, 54	1997057
		21, 27, 29, 31	1997055

#### Threshold with Screws

	Unit No.	Length	Maple	Oak
	29/30/33	40	1207056	1207010
	40/43	52	1207057	1207020
	50	63	1207058	1207025
	510/60	74	1207059	1207030
	8	98	1207060	1207040
	9	111	1207061	1207045
	100/4	120	1207062	1207048
	12	145	1207063	1207050
	160/4	193	1207064	1207055

# 400 Series Frenchwood® Outswing Doors (1997 to 2016)

Single Panel, 2-Panel, and Stationary Panel

## Joining Components

### Narrow Mull Joining Kits

#### Joining Kit - Narrow Mullion

**Kit includes:**

- 8 - Screws, PH FL STL Z-Y-D #10-12 X 1-3/4 type 17
- 12 - Screws, self-drilling #8-18 x 2-3/8 PH bugle HD #2 blk
- 18 - Screws, PH FL STL Z-Y #10-12 X 1 type 17
- 2 - End plates
- 1 - Sill support bar
- 2 - OS narrow mull flashing
- Aluminum joining strip
- Outside trim strip

Unit No.	Dimensions	White	Terratone	Sandtone	Forest Green
<b>FWH31</b>		2510110	2666314	0900401	1267826
<b>FWH68</b>	79 1/2	2576302	2666302	0921202	1267753
<b>FWH611</b>	82 3/8	2576303	2666303	0921203	1267754
<b>FWH80</b>	95 1/2	2576304	2666304	0921204	1267755
<b>10 feet</b>	120 inch	2510111	2666313	0900407	1267811


#### Outside Trim Strip - Narrow Mullion / Vinyl

	Unit No.	Dimensions	White	Terratone	Sandtone
	<b>FWH68</b>	79 1/2	2579702	2668702	0924702
	<b>FWH611</b>	82 3/8	2579703	2668703	0924703
	<b>FWH80</b>	95 1/2	2579704	2668704	0924704

#### Inside Casing - Narrow Mullion

**Note:**

The joining kit does not include inside casing.

	Unit No.	Dimension	Pine	Maple	Oak	Interior White
	<b>FWH68/611/80</b>	96	2579720	2579736	2579733	2579717
	<b>10 feet</b>	120 inch	2579887	2579889	2579888	2579890

## Joining Components

### Support Mull Joining Kits

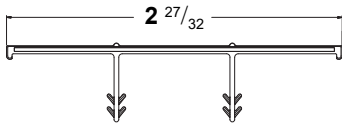
#### Joining Kit - Support Mullion

**Kit includes:**

Outside vinyl trim strip, filler, flashing

Unit No.	Dimensions	White	Terratone	Sandtone	Forest Green
<b>FWH68</b>	79 1/2	2576306	2666306	0921206	1267762
<b>FWH611</b>	82 3/8	2576307	2666307	0921207	1267763
<b>FWH80</b>	95 1/2	2576308	2666308	0921208	1267764

#### Trim Strip - Support Mullion



Unit No.	Dimensions	White	Terratone	Sandtone
<b>FWH68</b>	79 1/2	2579706	2668706	0924706
<b>FWH611</b>	82 3/8	2579707	2668707	0924707
<b>FWH80</b>	95 1/2	2579708	2668708	0924708

#### Filler Strip - Support Mullion

Unit No.	Dimensions	Order No.
<b>FWH68</b>	79 1/2	2579714
<b>FWH611</b>	82 3/8	2579715
<b>FWH80</b>	95 1/2	2579716

# 400 Series Frenchwood® Outswing Doors (1997 to 2016)

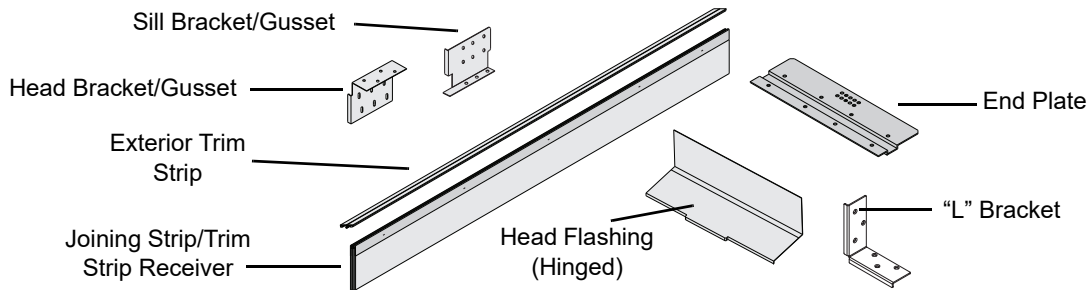
Single Panel, 2-Panel, and Stationary Panel

## Joining Components

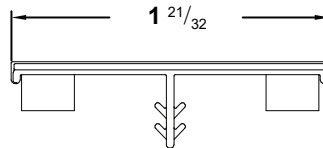
### LVL Joining Kit Components - Vintage

**Note:**

Laminated Veneered Lumber (LVL) joining system was replaced by Easy Connect Joining System (ECJS) in July 2019. Some kits and component parts are unavailable.



### Outside Trim Strip - LVL Mullion



	Unit No.	Length	White	Terratone	Sandtone	Forest Green
	68	79 1/4	2573492	2640743	0903750	1262848
	611	82 1/8	2573496	2640744	0903751	1262849
	80	95 1/4	2573488	2640745	0903752	1262850
	10 ft	117 13/16	2510101	2640746	0903753	1262851

### Mull Flashing - LVL Mullion / Exterior Support / 4 5/8"

	Color	Order No.
	White	2573484
	Terratone	2640727
	Sandtone	0903517
	Forest Green	1252809

## Joining Components

---

Inside Casing - LVL Mullion / Narrow Mullion / 2 3/8"				
	<b>Note:</b>	<b>Length</b>	<b>Finish</b>	<b>Order No.</b>
	Inside casing is not part of LVL joining kit.	96 in	White (Vinyl)	1916008
			Pine	1916007
			Maple	1916010
			Oak	1916009

# 400 Series Frenchwood® Outswing Doors (1997 to 2016)

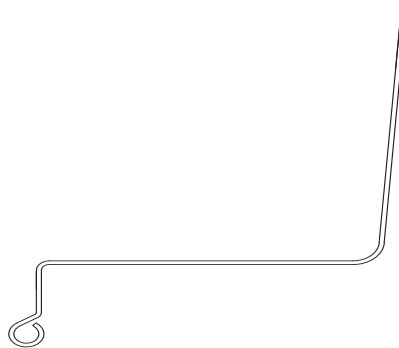
Single Panel, 2-Panel, and Stationary Panel

## Joining Components

### Universal Drip Cap - Continuous

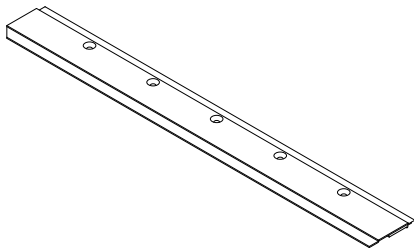
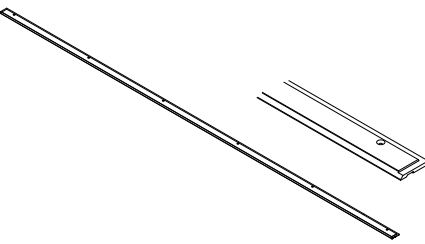
**Note:**

Use on side-by-side or vertical joins mulled at the factory or distributor. Consists of 24 gauge aluminum material.



	72"			120"			151 1/2"	
	Package Quantity			Package Quantity			Package Quantity	
	1	10	40	1	10	40	1	10
White	2222525	2222526	2222527	2222546	2222547	2222548	2222555	2222556
Terratone®	2222528	2222529	NA	2222549	2222550	NA	2222557	2222558
Sandtone	2222530	2222531	NA	2222551	2222552	NA	2222559	2222560
Forest Green	2222532	2222533	NA	2222553	2222554	NA	2222561	2222562
Canvas	9003116	9003117	NA	9003126	9003127	NA	9003130	9003131

## Art Glass Components

Art Glass Trim Stops				
Trim Stop - Art Glass / Head and Sill				
		<b>Unit No.</b>	<b>Length</b>	<b>Order No.</b>
		AG FWH/FWO 21	12 <sup>5</sup> / <sub>8</sub>	2370167
		AG FWH/FWO 27	18 <sup>1</sup> / <sub>4</sub>	2370169
		AG FWH/FWO 29	20 <sup>1</sup> / <sub>4</sub>	2370171
		AG FWH/FWO 31	24 <sup>1</sup> / <sub>4</sub>	2370173
Trim Stop - Art Glass / Side				
		<b>Unit No.</b>	<b>Length</b>	<b>Order No.</b>
		AG FWH/FWO 68	65 <sup>1</sup> / <sub>8</sub>	2370184
		AG FWH/FWO 611	67 <sup>15</sup> / <sub>16</sub>	2370179
		AG FWH/FWO 80	81 <sup>1</sup> / <sub>8</sub>	2370185

Art Glass Hardware			
Bracket Package with Shims and Screws - Art Glass / Top and Bottom			
	<b>Package includes:</b> 6 upper brackets, 3 lower brackets, shims, and fasteners	<b>Unit No.</b>	<b>Order No.</b>
		AG FWD	2370019
Bracket with Screws - Art Glass / Top			
	<b>Package includes:</b> 2 upper brackets and fasteners	<b>Unit No.</b>	<b>Order No.</b>
		AG FWD	2370024
Screw - Art Glass / Head Package			
	<b>Package includes:</b> 11 - 1" brass trim screws		<b>Order No.</b>
			2370026
Screw - Art Glass / Sill Stop Package			
	<b>Package includes:</b> 11 - 9/16" brass trim screws	<b>Unit No.</b>	<b>Order No.</b>
		FWD/PSC	2370029



## 400 Series Frenchwood® Outswing Doors (1997 to 2016)

### Stormwatch® Protection (Coastal Product)

Andersen® products with Stormwatch® protection are designed for use in coastal areas. They feature design pressure upgrades, glass options, and structural enhancements.

The parts listed below are exclusive to the Stormwatch® line. Parts shared with standard doors are listed in the standard product pages of this section.

### Panels - Active

Panels - Active / Single Door									
Panel - Active / Single Door / High-Performance-Low-E4® Tempered / Pine Interior (Impact Resistant)									
<b>Note:</b> Available by description.									
Unit No.	Exterior								
	White		Terratone®		Sandtone		Forest Green		
	Interior								
	<div style="background-color: #d2b48c; padding: 5px; display: inline-block; border: 1px solid black;">PINE</div>								
Panel - Active / Single Door / High-Performance-Low-E4® Tempered / Maple Interior (Impact Resistant)									
Unit No.	Maple Interior/ White Exterior		Maple Interior/ Terratone Exterior		Maple Interior/ Sandtone Exterior		Maple Interior/ Forest Green Exterior		
	Left	Right	Left	Right	Left	Right	Left	Right	
<b>Note:</b> Available by description.									
Panel - Active / Single Door / High-Performance-Low-E4® Tempered / Oak Interior (Impact Resistant)									
Unit No.	Oak Interior/ White Exterior		Oak Interior/ Terratone Exterior		Oak Interior/ Sandtone Exterior		Oak Interior/ Forest Green Exterior		
	Left	Right	Left	Right	Left	Right	Left	Right	
<b>Note:</b> Available by description.									
Panel - Active / Single Door / HP-Low-E4® Tempered / Interior White (Impact Resistant)									
<b>Note:</b> Available by description							White Interior / White Exterior		
							Left	Right	

## Panels - Active

Panel - Active / Single Door / High-Performance-Low-E4® Sun 3 Tempered / Pine Interior (Impact Resistant)								
Unit No.	Pine Interior/ White Exterior		Pine Interior/ Terratone Exterior		Pine Interior/ Sandtone Exterior		Pine Interior/ Forest Green Exterior	
	Left	Right	Left	Right	Left	Right	Left	Right
<b>Note:</b> Available by description.								

Panel - Active / Single Door / High-Performance-Low-E4® Sun 3 Tempered / Maple Interior (Impact Resistant)								
Unit No.	Maple Interior/ White Exterior		Maple Interior/ Terratone Exterior		Maple Interior/ Sandtone Exterior		Maple Interior/ Forest Green Exterior	
	Left	Right	Left	Right	Left	Right	Left	Right
<b>Note:</b> Available by description.								

Panel - Active / Single Door / High-Performance-Low-E4® Sun 3 Tempered / Oak Interior (Impact Resistant)								
Unit No.	Oak Interior/ White Exterior		Oak Interior/ Terratone Exterior		Oak Interior/ Sandtone Exterior		Oak Interior/ Forest Green Exterior	
	Left	Right	Left	Right	Left	Right	Left	Right
<b>Note:</b> Available by description.								

Panel - Active / Single Door / High-Performance-Low-E4® Sun 3 Tempered / Interior White (Impact Resistant)								
<b>Note:</b> Available by description							White Interior /White Exterior	
							Left	Right

## 400 Series Frenchwood® Outswing Doors (1997 to 2016)

*Stormwatch® Protection (Coastal Product)*

### Panels - Active

Panel - Active / Single Door / High-Performance Sun II Tempered / Pine Interior (Impact Resistant)								
Unit No.	Maple Interior/ White Exterior		Maple Interior/ Terratone Exterior		Maple Interior/ Sandtone Exterior		Maple Interior/ Forest Green Exterior	
	Left	Right	Left	Right	Left	Right	Left	Right
<b>Note:</b> Available by description.								

Panel - Active / Single Door / High-Performance Sun II Tempered / Maple Interior (Impact Resistant)								
Unit No.	Maple Interior/ White Exterior		Maple Interior/ Terratone Exterior		Maple Interior/ Sandtone Exterior		Maple Interior/ Forest Green Exterior	
	Left	Right	Left	Right	Left	Right	Left	Right
<b>Note:</b> Available by description.								

Panel - Active / Single Door / High-Performance Sun II Tempered / Oak Interior (Impact Resistant)								
Unit No.	Oak Interior/ White Exterior		Oak Interior/ Terratone Exterior		Oak Interior/ Sandtone Exterior		Oak Interior/ Forest Green Exterior	
	Left	Right	Left	Right	Left	Right	Left	Right
<b>Note:</b> Available by description.								

Panel - Active / Single Door / High-Performance Sun II Tempered / Interior White (Impact Resistant)			
<b>Note:</b> Available by description			
		White Interior / White Exterior	
		Left	Right

## Panels - Active

Panel - Active / Single Door / Clear Laminated Monolithic (CLM) / Pine Interior								
Unit No.	Pine Interior/ White Exterior		Pine Interior/ Terratone Exterior		Pine Interior/ Sandtone Exterior		Pine Interior/ Forest Green Exterior	
	Left	Right	Left	Right	Left	Right	Left	Right
<b>Note:</b> Available by description.								

Panel - Active / Single Door / Clear Laminated Monolithic (CLM) / Maple Interior								
Unit No.	Maple Interior/ White Exterior		Maple Interior/ Terratone Exterior		Maple Interior/ Sandtone Exterior		Maple Interior/ Forest Green Exterior	
	Left	Right	Left	Right	Left	Right	Left	Right
<b>Note:</b> Available by description.								

Panel - Active / Single Door / Clear Laminated Monolithic (CLM) / Oak Interior								
Unit No.	Oak Interior/ White Exterior		Oak Interior/ Terratone Exterior		Oak Interior/ Sandtone Exterior		Oak Interior/ Forest Green Exterior	
	Left	Right	Left	Right	Left	Right	Left	Right
<b>Note:</b> Available by description.								

Panel - Active / Single Door / Clear Laminated Monolithic (CLM) / Interior White								
<b>Note:</b> Available by description							White Interior /White Exterior	
							Left	Right

## 400 Series Frenchwood® Outswing Doors (1997 to 2016)

*Stormwatch® Protection (Coastal Product)*

### Panels - Active

Panel - Active / Single Door / Gray Laminated Monolithic (GLM) / Pine Interior										
Unit No.	Pine Interior/ White Exterior		Pine Interior/ Terratone Exterior		Pine Interior/ Sandtone Exterior		Pine Interior/ Forest Green Exterior			
	Left	Right	Left	Right	Left	Right	Left	Right	Left	Right
<b>Note:</b> Available by description.										

Panel - Active / Single Door / Gray Laminated Monolithic (GLM) / Maple Interior										
Unit No.	Maple Interior/ White Exterior		Maple Interior/ Terratone Exterior		Maple Interior/ Sandtone Exterior		Maple Interior/ Forest Green Exterior			
	Left	Right	Left	Right	Left	Right	Left	Right	Left	Right
<b>Note:</b> Available by description.										

Panel - Active / Single Door / Gray Laminated Monolithic (GLM) / Oak Interior										
Unit No.	Oak Interior/ White Exterior		Oak Interior/ Terratone Exterior		Oak Interior/ Sandtone Exterior		Oak Interior/ Forest Green Exterior			
	Left	Right	Left	Right	Left	Right	Left	Right	Left	Right
<b>Note:</b> Available by description.										

Panel - Active / Single Door / Gray Laminated Monolithic (GLM) / Interior White											
<b>Note:</b> Available by description								White Interior / White Exterior			
								Left	Right		

## Panels - Active

<b>Panels - Active / Double Doors (AP)</b>				
<b>Panel - Active / Double Door (AP) / High-Performance-Low-E4<sup>®</sup> Tempered / Pine Interior (Impact Resistant)</b>				
<b>Note:</b> Available by description	<b>Pine Interior/ White Exterior</b>	<b>Pine Interior/ Terratone Exterior</b>	<b>Pine Interior/ Sandtone Exterior</b>	<b>Pine Interior/ Forest Green Exterior</b>
<b>Panel - Active / Double Door (AP) / High-Performance-Low-E4<sup>®</sup> Tempered / Maple Interior (Impact Resistant)</b>				
<b>Note:</b> Available by description	<b>Maple Interior/ White Exterior</b>	<b>Maple Interior/ Terratone Exterior</b>	<b>Maple Interior/ Sandtone Exterior</b>	<b>Maple Interior/ Forest Green Exterior</b>
<b>Panel - Active / Double Door (AP) / High-Performance-Low-E4<sup>®</sup> Tempered / Oak Interior (Impact Resistant)</b>				
<b>Note:</b> Available by description	<b>Oak Interior/ White Exterior</b>	<b>Oak Interior/ Terratone Exterior</b>	<b>Oak Interior/ Sandtone Exterior</b>	<b>Oak Interior/ Forest Green Exterior</b>
<b>Panel - Active / Double Door (AP) / High-Performance-Low-E4<sup>®</sup> Tempered / Interior White (Impact Resistant)</b>				
<b>Note:</b> Available by description				<b>White Interior / White Exterior</b>
<b>Panel - Active / Double Door (AP) / HP-Low-E4<sup>®</sup> Sun 3 Tempered / Pine Interior (Impact Resistant)</b>				
<b>Note:</b> Available by description	<b>Pine Interior/ White Exterior</b>	<b>Pine Interior/ Terratone Exterior</b>	<b>Pine Interior/ Sandtone Exterior</b>	<b>Pine Interior/ Forest Green Exterior</b>
<b>Panel - Active / Double Door (AP) / HP-Low-E4<sup>®</sup> Sun 3 Tempered / Maple Interior (Impact Resistant)</b>				
<b>Note:</b> Available by description	<b>Maple Interior/ White Exterior</b>	<b>Maple Interior/ Terratone Exterior</b>	<b>Maple Interior/ Sandtone Exterior</b>	<b>Maple Interior/ Forest Green Exterior</b>
<b>Panel - Active / Double Door (AP) / HP-Low-E4<sup>®</sup> Sun 3 Tempered / Oak Interior (Impact Resistant)</b>				
<b>Note:</b> Available by description	<b>Oak Interior/ White Exterior</b>	<b>Oak Interior/ Terratone Exterior</b>	<b>Oak Interior/ Sandtone Exterior</b>	<b>Oak Interior/ Forest Green Exterior</b>
<b>Panel - Active / Double Door (AP) / High-Performance-Low-E4<sup>®</sup> Sun 3 Tempered / Interior White (Impact Resistant)</b>				
<b>Note:</b> Available by description				<b>White Interior / White Exterior</b>

## 400 Series Frenchwood® Outswing Doors (1997 to 2016)

*Stormwatch® Protection (Coastal Product)*

### Panels - Active

#### Panel - Active / Double Door (AP) / High-Performance Sun II Tempered / Pine Interior (Impact Resistant)

<b>Note:</b> Available by description	Pine Interior/ White Exterior	Pine Interior/ Terratone Exterior	Pine Interior/ Sandtone Exterior	Pine Interior/ Forest Green Exterior
--	-------------------------------------	---	--	--

#### Panel - Active / Double Door (AP) / High-Performance Sun II Tempered / Maple Interior (Impact Resistant)

<b>Note:</b> Available by description	Maple Interior/ White Exterior	Maple Interior/ Terratone Exterior	Maple Interior/ Sandtone Exterior	Maple Interior/ Forest Green Exterior
--	--------------------------------------	--	---	---

#### Panel - Active / Double Door (AP) / High-Performance Sun II Tempered / Oak Interior (Impact Resistant)

<b>Note:</b> Available by description	Oak Interior/ White Exterior	Oak Interior/ Terratone Exterior	Oak Interior/ Sandtone Exterior	Oak Interior/ Forest Green Exterior
--	------------------------------------	--	---------------------------------------	---

#### Panel - Active / Double Door (AP) / High-Performance Sun II Tempered / Interior White (Impact Resistant)

<b>Note:</b> Available by description	White Interior / White Exterior
--	------------------------------------

#### Panel - Active / Double Door (AP) / Clear Laminated Monolithic (CLM) / Pine Interior

<b>Note:</b> Available by description	Pine Interior/ White Exterior	Pine Interior/ Terratone Exterior	Pine Interior/ Sandtone Exterior	Pine Interior/ Forest Green Exterior
--	-------------------------------------	---	--	--

#### Panel - Active / Double Door (AP) / Clear Laminated Monolithic (CLM) / Oak Interior

<b>Note:</b> Available by description	Oak Interior/ White Exterior	Oak Interior/ Terratone Exterior	Oak Interior/ Sandtone Exterior	Oak Interior/ Forest Green Exterior
--	------------------------------------	--	---------------------------------------	---

#### Panel - Active / Double Door (AP) / Clear Laminated Monolithic (CLM) / Maple Interior

<b>Note:</b> Available by description	Maple Interior/ White Exterior	Maple Interior/ Terratone Exterior	Maple Interior/ Sandtone Exterior	Maple Interior/ Forest Green Exterior
--	--------------------------------------	--	---	---

#### Panel - Active / Double Door (AP) / Clear Laminated Monolithic (CLM) / Interior White

<b>Note:</b> Available by description	White Interior / White Exterior
--	------------------------------------

## Panels - Active

### Panel - Active / Double Door (AP) / Gray Laminated Monolithic (GLM) / Pine Interior

<b>Note:</b> Available by description	<b>Pine Interior/ White Exterior</b>	<b>Pine Interior/ Terratone Exterior</b>	<b>Pine Interior/ Sandtone Exterior</b>	<b>Pine Interior/ Forest Green Exterior</b>
--	--	--	---	---

### Panel - Active / Double Door (AP) / Gray Laminated Monolithic (GLM) / Maple Interior

<b>Note:</b> Available by description	<b>Maple Interior/ White Exterior</b>	<b>Maple Interior/ Terratone Exterior</b>	<b>Maple Interior/ Sandtone Exterior</b>	<b>Maple Interior/ Forest Green Exterior</b>
--	---	---	--	--

### Panel - Active / Double Door (AP) / Gray Laminated Monolithic (GLM) / Oak Interior

<b>Note:</b> Available by description	<b>Oak Interior/ White Exterior</b>	<b>Oak Interior/ Terratone Exterior</b>	<b>Oak Interior/ Sandtone Exterior</b>	<b>Oak Interior/ Forest Green Exterior</b>
--	---	---	--	--

### Panel - Active / Double Door (AP) / Gray Laminated Monolithic (GLM) / Interior White

<b>Note:</b> Available by description				<b>White Interior / White Exterior</b>
--	--	--	--	--



## 400 Series Frenchwood® Outswing Doors (1997 to 2016)

*Stormwatch® Protection (Coastal Product)*

### Panels - Active

<b>Panels - Active / Double Doors (PA)</b>				
<b>Panel - Active / Double Door (PA) / High-Performance-Low-E4® Tempered / Pine Interior (Impact Resistant)</b>				
<b>Note:</b> Available by description	<b>Pine Interior/ White Exterior</b>	<b>Pine Interior/ Terratone Exterior</b>	<b>Pine Interior/ Sandtone Exterior</b>	<b>Pine Interior/ Forest Green Exterior</b>
<b>Panel - Active / Double Door (PA) / High-Performance-Low-E4® Tempered / Maple Interior (Impact Resistant)</b>				
<b>Note:</b> Available by description	<b>Maple Interior/ White Exterior</b>	<b>Maple Interior/ Terratone Exterior</b>	<b>Maple Interior/ Sandtone Exterior</b>	<b>Maple Interior/ Forest Green Exterior</b>
<b>Panel - Active / Double Door (PA) / High-Performance-Low-E4® Tempered / Oak Interior (Impact Resistant)</b>				
<b>Note:</b> Available by description	<b>Oak Interior/ White Exterior</b>	<b>Oak Interior/ Terratone Exterior</b>	<b>Oak Interior/ Sandtone Exterior</b>	<b>Oak Interior/ Forest Green Exterior</b>
<b>Panel - Active / Double Door (PA) / High-Performance-Low-E4® Tempered / Interior White (Impact Resistant)</b>				
<b>Note:</b> Available by description				<b>White Interior / White Exterior</b>

## Panels - Active

Panel - Active / Double Door (PA) / HP-Low-E4® Sun 3 Tempered / Pine Interior (Impact Resistant)					
	Unit No.	Pine Interior/ White Exterior	Pine Interior/ Terratone Exterior	Pine Interior/ Sandtone Exterior	Pine Interior/ Forest Green Exterior
	<b>FWO2168PA</b>	2561485	2607250	0922931	1268401
	<b>FWO21611PA</b>	2561487	2607252	0922933	1268403
	<b>FWO2180PA</b>	2561489	2607254	0922935	1268405
	<b>FWO2768PA</b>	2561491	2607256	0922937	1268407
	<b>FWO27611PA</b>	2561493	2607258	0922939	1268409
	<b>FWO2780PA</b>	2561495	2607260	0922941	1268411
	<b>FWO2968PA</b>	2561497	2607262	0922943	1268413
	<b>FWO29611PA</b>	2561499	2607264	0922945	1268415
	<b>FWO2980PA</b>	2561502	2607266	0922947	1268417
	<b>FWO3168PA</b>	2561505	2607268	0922949	1268419
	<b>FWO31611PA</b>	2561509	2607270	0922951	1268421
	<b>FWO3180PA</b>	2561512	2607272	0922953	1268423

Panel - Active / Double Door (PA) / HP-Low-E4® Sun 3 Tempered / Maple Interior (Impact Resistant)					
	Unit No.	Maple Interior/ White Exterior	Maple Interior/ Terratone Exterior	Maple Interior/ Sandtone Exterior	Maple Interior/ Forest Green Exterior
	<b>FWO2168PA</b>	2561532	2607292	0922973	1268443
	<b>FWO21611PA</b>	2561534	2607294	0922975	1268445
	<b>FWO2180PA</b>	2561536	2607296	0922977	1268447
	<b>FWO2768PA</b>	2561538	2607298	0922979	1268449
	<b>FWO27611PA</b>	2561540	2607301	0922981	1268451
	<b>FWO2780PA</b>	2561542	2607303	0922983	1268453
	<b>FWO2968PA</b>	2561544	2607305	0922985	1268455
	<b>FWO29611PA</b>	2561546	2607307	0922987	1268457
	<b>FWO2980PA</b>	2561548	2607309	0922989	1268459
	<b>FWO3168PA</b>	2561550	2607311	0922991	1268461
	<b>FWO31611PA</b>	2561552	2607313	0922993	1268463
	<b>FWO3180PA</b>	2561554	2607315	0922995	1268465

Panel - Active / Double Door (PA) / HP-Low-E4® Sun 3 Tempered / Oak Interior (Impact Resistant)					
Note:		Oak Interior/ White Exterior	Oak Interior/ Terratone Exterior	Oak Interior/ Sandtone Exterior	Oak Interior/ Forest Green Exterior
Available by description					

Panel - Active / Double Door (PA) / High-Performance-Low-E4® Sun 3 Tempered / Interior White (Impact Resistant)					
Note:					White Interior / White Exterior
Available by description					

## 400 Series Frenchwood® Outswing Doors (1997 to 2016)

*Stormwatch® Protection (Coastal Product)*

### Panels - Active

<b>Panel - Active / Double Door (PA) / High-Performance Sun II Tempered / Pine Interior (Impact Resistant)</b>				
<b>Note:</b> Available by description	Oak Interior/ White Exterior	Oak Interior/ Terratone Exterior	Oak Interior/ Sandtone Exterior	Oak Interior/ Forest Green Exterior
<b>Panel - Active / Double Door (PA) / High-Performance Sun II Tempered / Maple Interior (Impact Resistant)</b>				
<b>Note:</b> Available by description	Oak Interior/ White Exterior	Oak Interior/ Terratone Exterior	Oak Interior/ Sandtone Exterior	Oak Interior/ Forest Green Exterior
<b>Panel - Active / Double Door (PA) / High-Performance Sun II Tempered / Oak Interior (Impact Resistant)</b>				
<b>Note:</b> Available by description	Oak Interior/ White Exterior	Oak Interior/ Terratone Exterior	Oak Interior/ Sandtone Exterior	Oak Interior/ Forest Green Exterior
<b>Panel - Active / Double Door (PA) / High-Performance Sun II Tempered / Interior White (Impact Resistant)</b>				
<b>Note:</b> Available by description				White Interior / White Exterior
<b>Panel - Active / Double Door (PA) / Clear Laminated Monolithic (CLM) / Pine Interior</b>				
<b>Note:</b> Available by description	Pine Interior/ White Exterior	Pine Interior/ Terratone Exterior	Pine Interior/ Sandtone Exterior	Pine Interior/ Forest Green Exterior
<b>Panel - Active / Double Door (PA) / Clear Laminated Monolithic (CLM) / Maple Interior</b>				
<b>Note:</b> Available by description	Maple Interior/ White Exterior	Maple Interior/ Terratone Exterior	Maple Interior/ Sandtone Exterior	Maple Interior/ Forest Green Exterior
<b>Panel - Active / Double Door (PA) / Clear Laminated Monolithic (CLM) / Oak Interior</b>				
<b>Note:</b> Available by description	Oak Interior/ White Exterior	Oak Interior/ Terratone Exterior	Oak Interior/ Sandtone Exterior	Oak Interior/ Forest Green Exterior
<b>Panel - Active / Double Door (PA) / Clear Laminated Monolithic (CLM) / Interior White</b>				
<b>Note:</b> Available by description				White Interior / White Exterior

## Panels - Active

### Panel - Active / Double Door (PA) / Gray Laminated Monolithic (GLM) / Pine Interior

<b>Note:</b> Available by description	<b>Pine Interior/ White Exterior</b>	<b>Pine Interior/ Terratone Exterior</b>	<b>Pine Interior/ Sandtone Exterior</b>	<b>Pine Interior/ Forest Green Exterior</b>
--	--	--	---	---

### Panel - Active / Double Door (PA) / Gray Laminated Monolithic (GLM) / Maple Interior

<b>Note:</b> Available by description	<b>Maple Interior/ White Exterior</b>	<b>Maple Interior/ Terratone Exterior</b>	<b>Maple Interior/ Sandtone Exterior</b>	<b>Maple Interior/ Forest Green Exterior</b>
--	---	---	--	--

### Panel - Active / Double Door (PA) / Gray Laminated Monolithic (GLM) / Oak Interior

<b>Note:</b> Available by description	<b>Oak Interior/ White Exterior</b>	<b>Oak Interior/ Terratone Exterior</b>	<b>Oak Interior/ Sandtone Exterior</b>	<b>Oak Interior/ Forest Green Exterior</b>
--	---	---	--	--

### Panel - Active / Double Door (PA) / Gray Laminated Monolithic (GLM) / Interior White

<b>Note:</b> Available by description				<b>White Interior / White Exterior</b>
--	--	--	--	--

# 400 Series Frenchwood® Outswing Doors (1997 to 2016)

Stormwatch® Protection (Coastal Product)

## Panels - Passive

<b>Passive Panels</b>								
<b>Panel without Astragal - Passive / High-Performance-Low-E4® Tempered / Pine Interior (Impact Resistant)</b>								
<b>Note:</b> Available by description	<b>Pine Interior/ White Exterior</b>		<b>Pine Interior/ Terratone Exterior</b>		<b>Pine Interior/ Sandtone Exterior</b>		<b>Pine Interior/ Forest Green Exterior</b>	
	<b>Left</b>	<b>Right</b>	<b>Left</b>	<b>Right</b>	<b>Left</b>	<b>Right</b>	<b>Left</b>	<b>Right</b>
<b>Panel without Astragal - Passive / High-Performance-Low-E4® Tempered / Maple Interior (Impact Resistant)</b>								
<b>Note:</b> Available by description	<b>Maple Interior/ White Exterior</b>		<b>Maple Interior/ Terratone Exterior</b>		<b>Maple Interior/ Sandtone Exterior</b>		<b>Maple Interior/ Forest Green Exterior</b>	
	<b>Left</b>	<b>Right</b>	<b>Left</b>	<b>Right</b>	<b>Left</b>	<b>Right</b>	<b>Left</b>	<b>Right</b>
<b>Panel without Astragal - Passive / High-Performance-Low-E4® Tempered / Oak Interior (Impact Resistant)</b>								
<b>Note:</b> Available by description	<b>Oak Interior/ White Exterior</b>		<b>Oak Interior/ Terratone Exterior</b>		<b>Oak Interior/ Sandtone Exterior</b>		<b>Oak Interior/ Forest Green Exterior</b>	
	<b>Left</b>	<b>Right</b>	<b>Left</b>	<b>Right</b>	<b>Left</b>	<b>Right</b>	<b>Left</b>	<b>Right</b>
<b>Panel without Astragal - Passive / HP-Low-E4® Tempered / Interior White (Impact Resistant)</b>								
<b>Note:</b> Available by description							<b>White Interior / White Exterior</b>	
							<b>Left</b>	<b>Right</b>
<b>Panel without Astragal - Passive / HP-Low-E4® Sun 3 Tempered / Pine Interior (Impact Resistant)</b>								
<b>Note:</b> Available by description	<b>Pine Interior/ White Exterior</b>		<b>Pine Interior/ Terratone Exterior</b>		<b>Pine Interior/ Sandtone Exterior</b>		<b>Pine Interior/ Forest Green Exterior</b>	
	<b>Left</b>	<b>Right</b>	<b>Left</b>	<b>Right</b>	<b>Left</b>	<b>Right</b>	<b>Left</b>	<b>Right</b>
<b>Panel without Astragal - Passive / HP-Low-E4® Sun 3 Tempered / Maple Interior (Impact Resistant)</b>								
<b>Note:</b> Available by description	<b>Maple Interior/ White Exterior</b>		<b>Maple Interior/ Terratone Exterior</b>		<b>Maple Interior/ Sandtone Exterior</b>		<b>Maple Interior/ Forest Green Exterior</b>	
	<b>Left</b>	<b>Right</b>	<b>Left</b>	<b>Right</b>	<b>Left</b>	<b>Right</b>	<b>Left</b>	<b>Right</b>
<b>Panel without Astragal - Passive / HP-Low-E4® Sun 3 Tempered / Oak Interior (Impact Resistant)</b>								
<b>Note:</b> Available by description	<b>Oak Interior/ White Exterior</b>		<b>Oak Interior/ Terratone Exterior</b>		<b>Oak Interior/ Sandtone Exterior</b>		<b>Oak Interior/ Forest Green Exterior</b>	
	<b>Left</b>	<b>Right</b>	<b>Left</b>	<b>Right</b>	<b>Left</b>	<b>Right</b>	<b>Left</b>	<b>Right</b>
<b>Panel without Astragal - Passive / High-Performance-Low-E4® Sun 3 Tempered / Interior White (Impact Resistant)</b>								
<b>Note:</b> Available by description							<b>White Interior / White Exterior</b>	
							<b>Left</b>	<b>Right</b>

## Panels - Passive

### Panel without Astragal - Passive / High-Performance Sun II Tempered / Pine Interior (Impact Resistant)

<b>Note:</b> Available by description	<b>Pine Interior/ White Exterior</b>		<b>Pine Interior/ Terratone Exterior</b>		<b>Pine Interior/ Sandtone Exterior</b>		<b>Pine Interior/ Forest Green Exterior</b>	
	<b>Left</b>	<b>Right</b>	<b>Left</b>	<b>Right</b>	<b>Left</b>	<b>Right</b>	<b>Left</b>	<b>Right</b>

### Panel without Astragal - Passive / High-Performance Sun II Tempered / Maple Interior (Impact Resistant)

<b>Note:</b> Available by description	<b>Maple Interior/ White Exterior</b>		<b>Maple Interior/ Terratone Exterior</b>		<b>Maple Interior/ Sandtone Exterior</b>		<b>Maple Interior/ Forest Green Exterior</b>	
	<b>Left</b>	<b>Right</b>	<b>Left</b>	<b>Right</b>	<b>Left</b>	<b>Right</b>	<b>Left</b>	<b>Right</b>

### Panel without Astragal - Passive / High-Performance Sun II Tempered / Oak Interior (Impact Resistant)

<b>Note:</b> Available by description	<b>Oak Interior/ White Exterior</b>		<b>Oak Interior/ Terratone Exterior</b>		<b>Oak Interior/ Sandtone Exterior</b>		<b>Oak Interior/ Forest Green Exterior</b>	
	<b>Left</b>	<b>Right</b>	<b>Left</b>	<b>Right</b>	<b>Left</b>	<b>Right</b>	<b>Left</b>	<b>Right</b>

### Panel without Astragal - Passive / High-Performance Sun II Tempered / Interior White (Impact Resistant)

<b>Note:</b> Available by description	<b>White Interior / White Exterior</b>							
	<b>Left</b>				<b>Right</b>			

### Panel without Astragal - Passive / Clear Laminated Monolithic (CLM) / Pine Interior

<b>Note:</b> Available by description	<b>Pine Interior/ White Exterior</b>		<b>Pine Interior/ Terratone Exterior</b>		<b>Pine Interior/ Sandtone Exterior</b>		<b>Pine Interior/ Forest Green Exterior</b>	
	<b>Left</b>	<b>Right</b>	<b>Left</b>	<b>Right</b>	<b>Left</b>	<b>Right</b>	<b>Left</b>	<b>Right</b>

### Panel without Astragal - Passive / Clear Laminated Monolithic (CLM) / Maple Interior

<b>Note:</b> Available by description	<b>Maple Interior/ White Exterior</b>		<b>Maple Interior/ Terratone Exterior</b>		<b>Maple Interior/ Sandtone Exterior</b>		<b>Maple Interior/ Forest Green Exterior</b>	
	<b>Left</b>	<b>Right</b>	<b>Left</b>	<b>Right</b>	<b>Left</b>	<b>Right</b>	<b>Left</b>	<b>Right</b>

### Panel without Astragal - Passive / Clear Laminated Monolithic (CLM) / Oak Interior

<b>Note:</b> Available by description	<b>Oak Interior/ White Exterior</b>		<b>Oak Interior/ Terratone Exterior</b>		<b>Oak Interior/ Sandtone Exterior</b>		<b>Oak Interior/ Forest Green Exterior</b>	
	<b>Left</b>	<b>Right</b>	<b>Left</b>	<b>Right</b>	<b>Left</b>	<b>Right</b>	<b>Left</b>	<b>Right</b>

### Panel without Astragal - Passive / Clear Laminated Monolithic (CLM) / Interior White

<b>Note:</b> Available by description	<b>White Interior / White Exterior</b>							
	<b>Left</b>				<b>Right</b>			

## 400 Series Frenchwood® Outswing Doors (1997 to 2016)

*Stormwatch® Protection (Coastal Product)*

### Panels - Passive

#### Panel without Astragal - Passive / Gray Laminated Monolithic (GLM) / Pine Interior

<b>Note:</b> Available by description	<b>Maple Interior/ White Exterior</b>		<b>Maple Interior/ Terratone Exterior</b>		<b>Maple Interior/ Sandtone Exterior</b>		<b>Maple Interior/ Forest Green Exterior</b>	
	<b>Left</b>	<b>Right</b>	<b>Left</b>	<b>Right</b>	<b>Left</b>	<b>Right</b>	<b>Left</b>	<b>Right</b>

#### Panel without Astragal - Passive / Gray Laminated Monolithic (GLM) / Maple Interior

<b>Note:</b> Available by description	<b>Maple Interior/ White Exterior</b>		<b>Maple Interior/ Terratone Exterior</b>		<b>Maple Interior/ Sandtone Exterior</b>		<b>Maple Interior/ Forest Green Exterior</b>	
	<b>Left</b>	<b>Right</b>	<b>Left</b>	<b>Right</b>	<b>Left</b>	<b>Right</b>	<b>Left</b>	<b>Right</b>

#### Panel without Astragal - Passive / Gray Laminated Monolithic (GLM) / Oak Interior

<b>Note:</b> Available by description	<b>Oak Interior/ White Exterior</b>		<b>Oak Interior/ Terratone Exterior</b>		<b>Oak Interior/ Sandtone Exterior</b>		<b>Oak Interior/ Forest Green Exterior</b>	
	<b>Left</b>	<b>Right</b>	<b>Left</b>	<b>Right</b>	<b>Left</b>	<b>Right</b>	<b>Left</b>	<b>Right</b>

#### Panel without Astragal - Passive / Gray Laminated Monolithic (GLM) / Interior White

<b>Note:</b> Available by description	<b>White Interior / White Exterior</b>	
	<b>Left</b>	<b>Right</b>

## Panels - Stationary

<b>Stationary Panels</b>				
<b>Panel - Stationary / High-Performance-Low-E4<sup>®</sup> Tempered / Pine Interior (Impact Resistant)</b>				
<b>Note:</b> Available by description	<b>Pine Interior/ White Exterior</b>	<b>Pine Interior/ Terratone Exterior</b>	<b>Pine Interior/ Sandtone Exterior</b>	<b>Pine Interior/ Forest Green Exterior</b>
<b>Panel - Stationary / High-Performance-Low-E4<sup>®</sup> Tempered / Maple Interior ( Impact Resistant)</b>				
<b>Note:</b> Available by description	<b>Maple Interior/ White Exterior</b>	<b>Maple Interior/ Terratone Exterior</b>	<b>Maple Interior/ Sandtone Exterior</b>	<b>Maple Interior/ Forest Green Exterior</b>
<b>Panel - Stationary / High-Performance-Low-E4<sup>®</sup> Tempered / Oak Interior (Impact Resistant)</b>				
<b>Note:</b> Available by description	<b>Oak Interior/ White Exterior</b>	<b>Oak Interior/ Terratone Exterior</b>	<b>Oak Interior/ Sandtone Exterior</b>	<b>Oak Interior/ Forest Green Exterior</b>
<b>Panel - Stationary / High-Performance-Low-E4<sup>®</sup> Tempered / Interior White (Impact Resistant)</b>				
<b>Note:</b> Available by description				<b>White Interior / White Exterior</b>
<b>Panel - Stationary / High-Performance-Low-E4<sup>®</sup> Sun 3 Tempered / Pine Interior (Impact Resistant)</b>				
<b>Note:</b> Available by description	<b>Pine Interior/ White Exterior</b>	<b>Pine Interior/ Terratone Exterior</b>	<b>Pine Interior/ Sandtone Exterior</b>	<b>Pine Interior/ Forest Green Exterior</b>
<b>Panel - Stationary / High-Performance-Low-E4<sup>®</sup> Sun 3 Tempered / Maple Interior (Impact Resistant)</b>				
<b>Note:</b> Available by description	<b>Maple Interior/ White Exterior</b>	<b>Maple Interior/ Terratone Exterior</b>	<b>Maple Interior/ Sandtone Exterior</b>	<b>Maple Interior/ Forest Green Exterior</b>
<b>Panel - Stationary / High-Performance-Low-E4<sup>®</sup> Sun 3 Tempered / Oak Interior (Impact Resistant)</b>				
<b>Note:</b> Available by description	<b>Oak Interior/ White Exterior</b>	<b>Oak Interior/ Terratone Exterior</b>	<b>Oak Interior/ Sandtone Exterior</b>	<b>Oak Interior/ Forest Green Exterior</b>
<b>Panel - Stationary / High-Performance-Low-E4<sup>®</sup> Sun 3 Tempered / Interior White (Impact Resistant)</b>				
<b>Note:</b> Available by description				<b>White Interior / White Exterior</b>



## 400 Series Frenchwood® Outswing Doors (1997 to 2016)

*Stormwatch® Protection (Coastal Product)*

### Panels - Stationary

Panel - Stationary / High-Performance Sun II Tempered / Pine Interior (Impact Resistant)				
<b>Note:</b> Available by description	Pine Interior/ White Exterior	Pine Interior/ Terratone Exterior	Pine Interior/ Sandtone Exterior	Pine Interior/ Forest Green Exterior
Panel - Stationary / High-Performance Sun II Tempered / Maple Interior (Impact Resistant)				
<b>Note:</b> Available by description	Maple Interior/ White Exterior	Maple Interior/ Terratone Exterior	Maple Interior/ Sandtone Exterior	Maple Interior/ Forest Green Exterior
Panel - Stationary / High-Performance Sun II Tempered / Oak Interior (Impact Resistant)				
<b>Note:</b> Available by description	Oak Interior/ White Exterior	Oak Interior/ Terratone Exterior	Oak Interior/ Sandtone Exterior	Oak Interior/ Forest Green Exterior
Panel - Stationary / High-Performance Sun II Tempered / Interior White (Impact Resistant)				
<b>Note:</b> Available by description				White Interior / White Exterior
Panel - Stationary / Clear Laminated Monolithic (CLM) / Pine Interior				
<b>Note:</b> Available by description	Pine Interior/ White Exterior	Pine Interior/ Terratone Exterior	Pine Interior/ Sandtone Exterior	Pine Interior/ Forest Green Exterior
Panel - Stationary / Clear Laminated Monolithic (CLM) / Maple Interior				
<b>Note:</b> Available by description	Maple Interior/ White Exterior	Maple Interior/ Terratone Exterior	Maple Interior/ Sandtone Exterior	Maple Interior/ Forest Green Exterior
Panel - Stationary / Clear Laminated Monolithic (CLM) / Oak Interior				
<b>Note:</b> Available by description	Oak Interior/ White Exterior	Oak Interior/ Terratone Exterior	Oak Interior/ Sandtone Exterior	Oak Interior/ Forest Green Exterior
Panel - Stationary / Clear Laminated Monolithic (CLM) / Interior White				
<b>Note:</b> Available by description				White Interior / White Exterior

## Panels - Stationary

Panel - Stationary / Gray Laminated Monolithic (GLM) / Pine Interior				
<b>Note:</b> Available by description	Maple Interior/ White Exterior	Maple Interior/ Terratone Exterior	Maple Interior/ Sandtone Exterior	Maple Interior/ Forest Green Exterior
Panel - Stationary / Gray Laminated Monolithic (GLM) / Maple Interior				
<b>Note:</b> Available by description	Maple Interior/ White Exterior	Maple Interior/ Terratone Exterior	Maple Interior/ Sandtone Exterior	Maple Interior/ Forest Green Exterior
Panel - Stationary / Gray Laminated Monolithic (GLM) / Oak Interior				
<b>Note:</b> Available by description	Oak Interior/ White Exterior	Oak Interior/ Terratone Exterior	Oak Interior/ Sandtone Exterior	Oak Interior/ Forest Green Exterior
Panel - Stationary / Gray Laminated Monolithic (GLM) / Interior White				
<b>Note:</b> Available by description				White Interior / White Exterior

## 400 Series Frenchwood® Outswing Doors (1997 to 2016)

### Hardware

#### Lock Mechanism (Impact Resistant)

##### Lock Mechanism - 5-point / Active / Stainless Steel (Impact Resistant) *(March 2003 to 2016)*

<b>Note:</b>	<b>Unit No.</b>	<b>Order No.</b>
The 5-point active lock mechanism is used on double active Stormwatch® (AP/PA) units. Single active Stormwatch® units use the standard 3 -point active lock mechanism on <a href="#">page 98</a>	<b>FWH68</b>	2579774
	<b>FWH611</b>	2579775
	<b>FWH80</b>	2579776

#### Lock Hardware

##### Bracket - Lock End / Upper and Lower

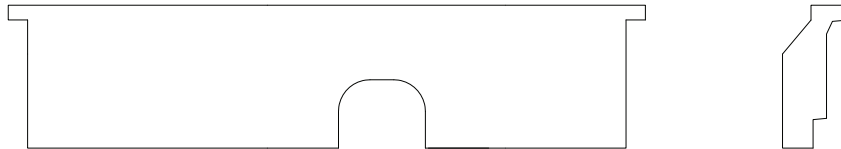
	<b>Note:</b>	<b>Order No.</b>
	This is a universal bracket for left-hand and right-hand units	2579795

## Stops

### Panel Stops (Impact Resistant)

**Note:**

Single Stormwatch® units use standard panel stops, head and sides. Double Stormwatch® units use unique head panel stops, shown here, and standard side panel stops.



### Panel Stop - Head (Impact Resistant)

Unit No.	Length	Pine		Maple		Oak	
		AP	PA	AP	PA	AP	PA
<b>FWO41</b>	45 <sup>7</sup> / <sub>16</sub>	2540153	2540113	2509589	2509590	2509673	2509674
<b>FWO50</b>	57 <sup>3</sup> / <sub>16</sub>	2540154	2540114	2509591	2509592	2509675	2509676
<b>FWO54</b>	61 <sup>3</sup> / <sub>16</sub>	2540155	2540115	2509593	2509594	2509677	2509678
<b>FWO60</b>	69 <sup>3</sup> / <sub>16</sub>	2540156	2540116	2509595	2509596	2509679	2509680

### Panel Stop - Head (Impact Resistant)

	Unit No.	Length	Prefinished Interior White	
			AP	PA
	<b>FWO41</b>	45 <sup>7</sup> / <sub>16</sub>	2585988	2585984
	<b>FWO50</b>	57 <sup>3</sup> / <sub>16</sub>	2585989	2585985
	<b>FWO54</b>	61 <sup>3</sup> / <sub>16</sub>	2585990	2585986
	<b>FWO60</b>	69 <sup>3</sup> / <sub>16</sub>	2585991	2585987

# 400 Series Frenchwood® Outswing Doors (1997 to 2016)

Service Replacement

## Service Replacement

### Service Replacement Only Parts

#### Service Replacement Only Parts

**Note:**

This section is specifically designed for parts that should only be ordered if a Territory Service Manager/Service Provider Company has requested them to be ordered or if the customer agrees to also pay for a non-warranty repair/replace service job (subject to availability) for these parts to be installed. We do not recommend anyone other than a trained AW employee or Service Provider install these parts due to the complexity of installation, modifications required for installation and/or requirement of special tools.

#### Hardware Accessory Package - Stationary

##### Hardware Accessory Package - Stationary

	<b>Package includes:</b>	<b>Unit No.</b>	<b>Order No.</b>
	Stationary panel brackets, screws, spacers, instructions.	<b>FWO/FWH68/611</b>	2573867
		<b>FWO/FWH80</b>	2573868

#### Gasket Shim

##### Gasket Shim

	<b>Order No.</b>
	8286001

## Service Replacement Only Parts

### Filler

**Note:**

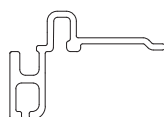
Filler replacement is not recommended. Contact your local [Andersen Service Provider](#).

To order, state:

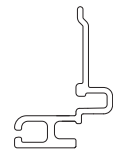
Product ID (from product label, see [Service Guide 9051877](#))

1. Unit or frame size (FWO XXXX or frame W x H dimensions)
2. Panel Type (Active, Passive)
3. Panel Handing/Operation (Left, Right, AP, PA, PL, PR, Stat)
4. Filler Type (Top Rail, Bottom Rail, Lock Stile, Hinge Stile, Stationary Stile)
5. Color

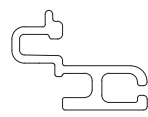
#### Filler - Stile / Stationary

	Unit No.	White	Terratone	Sandtone	Forest Green
	<b>FWO68</b>	By Description	By Description	By Description	By Description
	<b>FWO611</b>	By Description	By Description	By Description	By Description
	<b>FWO80</b>	By Description	By Description	By Description	By Description

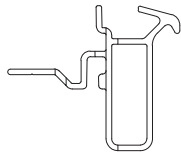
#### Filler - Stile / Active/Passive Hinge

	Unit No.	White	Terratone	Sandtone	Forest Green
	<b>FWO68</b>	By Description	By Description	By Description	By Description
	<b>FWO611</b>	By Description	By Description	By Description	By Description
	<b>FWO80</b>	By Description	By Description	By Description	By Description

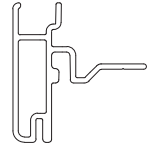
#### Filler - Stile / Active/Passive Lock

	Unit No.	White	Terratone	Sandtone	Forest Green
	<b>FWO68</b>	By Description	By Description	By Description	By Description
	<b>FWO611</b>	By Description	By Description	By Description	By Description
	<b>FWO80</b>	By Description	By Description	By Description	By Description

#### Filler - Bottom Rail / Stationary/Active/Passive

	Unit No.	White	Terratone	Sandtone	Forest Green
	<b>FWO21</b>	By Description	By Description	By Description	By Description
	<b>FWO27</b>	By Description	By Description	By Description	By Description
	<b>FWO29</b>	By Description	By Description	By Description	By Description
	<b>FWO31</b>	By Description	By Description	By Description	By Description

#### Filler - Top Rail / Stationary/Active/Passive

	Unit No.	White	Terratone	Sandtone	Forest Green
	<b>FWO21</b>	By Description	By Description	By Description	By Description
	<b>FWO27</b>	By Description	By Description	By Description	By Description
	<b>FWO29</b>	By Description	By Description	By Description	By Description
	<b>FWO31</b>	By Description	By Description	By Description	By Description

# 400 Series Frenchwood® Outswing Doors (1997 to 2016)

Service Replacement

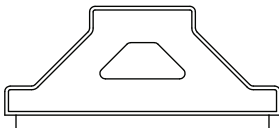
## Grilles

### Exterior Grilles - High Definition (HDN)

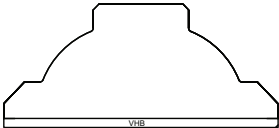
**Note:**

Permanently applied grilles can only be ordered by Andersen Territory Service Representatives, Andersen Service Dealers and Providers.

#### Exterior Grilles - Taped / Chamfer A / 96"

	Width/ Length	2 1/4"		1 1/8"		7/8"		3/4"	
		96"		96"		96"		96"	
	White	1284332		1284331		1284330		1284329	
	Terratone®	9011974		9011973		9011972		9011971	
	Sandtone	1284328		1284327		1284326		1284325	
	Forest Green	9011970		9011969		9011968		9011967	
	Canvas	1284360		1284359		1284358		1284357	

### Exterior Grille - HDN / Lineal / PVC

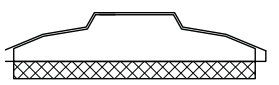
	Width/ Length	2 1/4"		1 1/8"		7/8"		3/4"	
		60"	84"	60"	84"	60"	84"	60"	84"
	White	N/A		2322038	2322039	2322034	2322035	2322030	2322031
	Terratone®	N/A		N/A	N/A	N/A	N/A	N/A	N/A
	Sandtone	N/A		N/A	N/A	N/A	N/A	N/A	N/A

### Exterior Grilles - Low Definition (LDN)

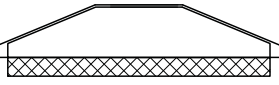
**Note:**

Permanently applied grilles can only be ordered by Andersen Territory Service Representatives, Andersen Service Dealers and Providers.

#### Exterior Grille - Ribbed Profile (March 17, 1997 to 2004)

	Width/ Length	2 1/4"		1 1/8"		7/8"		3/4"	
		72"		72"		72"		72"	
	White	N/A		2322120		2322116		2322111	
	Terratone®	N/A		2322121		N/A			
	Sandtone	N/A		2322122		N/A			
Forest Green	N/A		2322123		N/A				

#### Exterior Grille - Flat Profile (1990 to March 17, 1997)

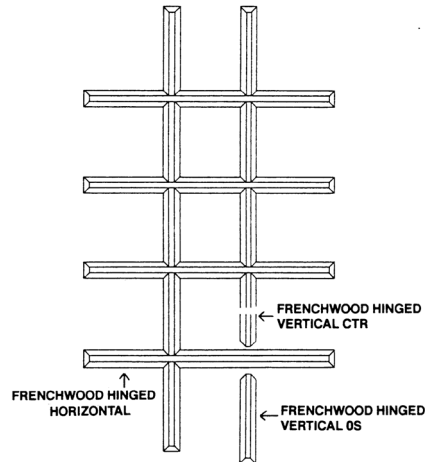
	Width/ Length	2 1/4"		7/8"		7/8"		3/4"	
		72"		72"		72"		72"	
	White	N/A		N/A		2322115		2322110	
	Terratone®	N/A		N/A		2322117		2322112	
	Sandtone	N/A		N/A		2322118		2322113	
Forest Green	N/A		N/A		2322119		2322114		

## Grilles

### Exterior Grilles - Colonial / 7/8"

**Note:**

VHB tape is applied to back of grille.



**Frenchwood Outswing Door Exterior Grilles**

#### Vertical Center Parts - Exterior Grille

	Unit No.	Length	Sandtone
	<b>FWO/FWH68</b>	12 <sup>13</sup> / <sub>32</sub>	0924808
	<b>FWO/FWH611</b>	12 <sup>63</sup> / <sub>64</sub>	0924809
	<b>FWO/FWH80</b>	12 <sup>29</sup> / <sub>32</sub>	0924810

#### Vertical Outside Parts - Exterior Grille

	Unit No.	Length	Sandtone
	<b>FWO/FWH68</b>	12 <sup>9</sup> / <sub>64</sub>	0924812
	<b>FWO/FWH611</b>	12 <sup>23</sup> / <sub>32</sub>	0924813
	<b>FWO/FWH80</b>	12 <sup>45</sup> / <sub>64</sub>	0924814



# 400 Series Frenchwood® Outswing Doors (1997 to 2016)

Service Replacement

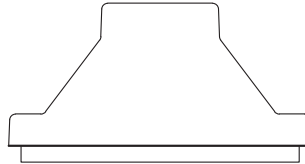
## Grilles




### Interior Grilles - High Definition (HDN)

#### Interior Grilles - Taped / Chamfer A

**Note:**

Permanently applied grilles can only be ordered by Andersen Territory Service Representatives, Andersen Service Dealers and Providers. Contact your local [Andersen Service Provider](#). ✂



	Length	Pine			
		3/4"	7/8"	1 1/8"	2 1/4"
 <p>PINE</p>	22"	2321131	2321136	2321141	2321146
	34"	2321132	2321137	2321142	2321147
	44"	2321133	2321138	2321143	2321148
	60"	2321134	2321139	2321144	2321149
	84"	2321135	2321140	2321145	2321150
	Length	Oak			
		3/4"	7/8"	1 1/8"	2 1/4"
 <p>OAK</p>	22"	2321111	2321116	2321121	2321126
	34"	2321112	2321117	2321122	2321127
	44"	2321113	2321118	2321123	2321128
	60"	2321114	2321119	2321124	2321129
	84"	2321115	2321120	2321125	2321130
	Length	Maple			
		3/4"	7/8"	1 1/8"	2 1/4"
 <p>MAPLE</p>	22"	2321010	2321015	2321020	2321025
	34"	2321011	2321016	2321021	2321026
	44"	2321012	2321017	2321022	2321027
	60"	2321013	2321018	2321023	2321028
	84"	2321014	2321019	2321024	2321029

## Hardware

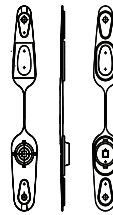
### Trim Set Hardware / Vintage

#### Estate™ Lever Handle with Screws (1988 to 1999)

**Note:**  
Use current Newbury® lever handle with screws for replacement ([page 68](#)).

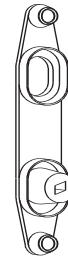
#### Trim Set Gasket (1988 to 1999)

**Note:**  
Current Metro™ gasket is Tribeca® on [page 70](#).  
Current Estate™ gasket is on [page 96](#).



**Metro™**

2962513



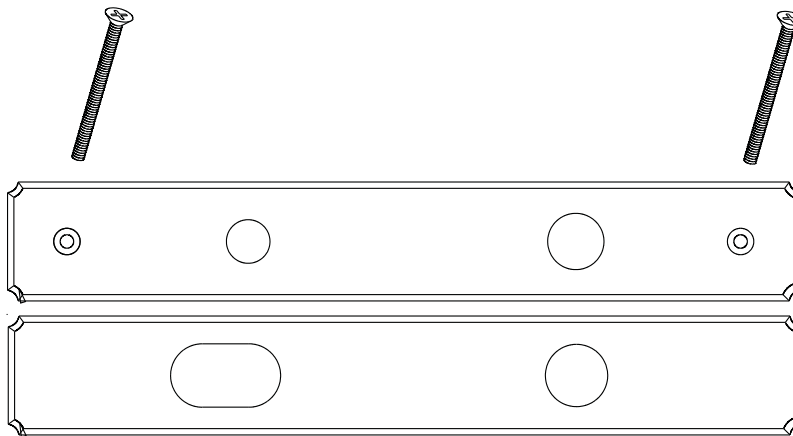
**Estate™**

2962512

#### Estate™ Escutcheon Plates / Active / Passive (1988 to 1999)

Interior Active

Exterior Active



**Note:**  
Use the current vintage Newbury® hardware set as replacement.  
[page 78](#)

Finish	Active	Passive
Bright Brass	NA	NA
Chrome		
Antique Brass		

#### Set Screw Package - Handle (1990 to 1999)



**Package includes:**  
1 - 6 mm screw set (silver)  
1 - allen wrench  
Current handle set screw package is on [page 96](#)

**Silver**  
2579538

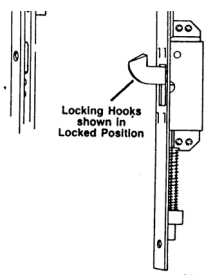
# 400 Series Frenchwood® Outswing Doors (1997 to 2016)

Service Replacement

## Hardware

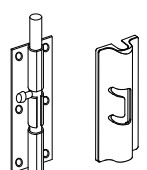
### Lock Mechanisms - Tapered

#### Lock Mechanism - Tapered

 <p>Locking Hooks shown in Locked Position</p>	<b>Note:</b> Use left hand on right hand outswing doors and right hand on left hand outswing doors. Outswing usage is opposite of inswing.	<b>Unit No.</b>	<b>Left</b>	<b>Right</b>
		<b>FWO68</b>	2578193	2578192
		<b>FWO611</b>	2578195	2578194
		<b>FWO76</b>	2578198	2578199
		<b>FWO80</b>	2578197	2578196

### Lock Bolt with Cover

#### Barrel Bolt Kit

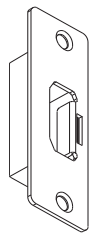
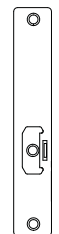

	<b>Note:</b> Used on units from 2000–2002.	<b>Finish</b>	<b>Order No.</b>
		Stone	2579799
		White	2579797
		Brass	2579798

### Cover - Lock Bolt

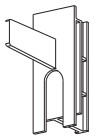
<b>Note:</b> Bolt covers are no longer sold separately. To replace, order bolt and cover.
--

### Hook Bolt Parts / Vintage

#### Hook Bolt Receiver (1998 to 2003)

<b>Note:</b> Zinc dichromate (gold color) finish.  Current hook bolt receivers <a href="#">page 102</a>			
	<b>Single</b>	<b>Upper AP/Lower PA</b>	<b>Upper PA/Lower AP</b>
	2579804	2579861	2579862

#### Blocker - Hook Bolt (1998 to 2003)

	<b>Order No.</b>
	2579809

## Hardware

### Flush Bolt Parts / Vintage

#### Flush Bolt Receiver (2002 to 2003)

**Note:**

Zinc dichromate finish.

Current flush bolt receivers [page 102](#)



Head AP/Sill PA

Head PA/Sill AP

2579883

2579884

#### Flush Bolt Receiver (1998 to 2003)



Head AP/Sill PA

Head PA/Sill AP

2579807

2579808

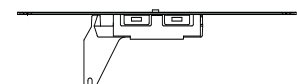
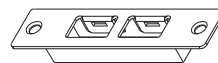
### Latch Bolt Parts / Vintage

#### Latch Bolt Receiver (1998 to 2003)

**Note:**

Zinc dichromate finish.

If marked as NA replace with current latch bolt receivers [page 102](#)



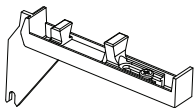
Single

AP/PA

2579803

NA

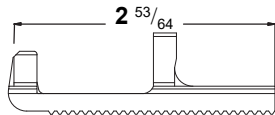
#### Blocker - Latch (1998 to 2003)



Order No.

2579395

#### Blocker - Plastic Insert (1998 to 2016)



**Note:**

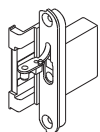
Also used with current [latch blocker](#).

Order No.

2579539

### Hinge Parts

#### Hinge Receiver with Screws



**Note:**

Hinge receiver replacement is not recommended.

Color

Order No.

White

N/A

Terratone

N/A

Sandtone

N/A

Forest Green

N/A

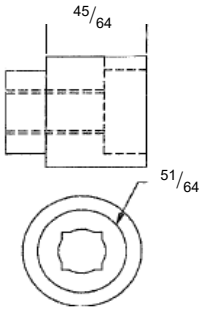
# 400 Series Frenchwood® Outswing Doors (1997 to 2016)

Service Replacement

## Hardware

### Miscellaneous Hardware Parts

#### Handle Extender (1988 to 1999)



**Note:**

Use the following for replacement:

1. Current vintage interior handle in the desired finish (see handles in Hardware Collections starting on [page 68](#)).
2. Current vintage handle extender in the desired finish see [page 106](#)
3. Current vintage nylon bushings  
Tribeca see [page 71](#)  
All other hardware see [page 95](#)



**Finish**

- Antique Brass
- Bright Brass
- Polished Chrome

**Order No.**

N/A

## Frames

Corner Lock - Extension Jamb		
Corner Lock - Extension Jamb / Head		
		<b>Order No.</b>
		2579392
Corner Lock - Extension Jamb / Sill		
		<b>Order No.</b>
		2579393

Service Guides		
<b>Note:</b> Contact your local <a href="#">Andersen Service Provider</a> .		
Astragal		
	Description	Guide No.
	Passive Panel Astragal Replacement	001