

What's in This Section

Elliptical Top Windows	Page 1
Parts Illustration	1
Unit Sizes	2
400 Series Product Label	2
Unit Size Chart - Elliptical Top	2
Product History	3
Product History	3
Glass	4
Glass Size Table - Elliptical Top	4
Glass - Elliptical Top	4
Grilles	5
Interior Grilles - Elliptical Top	5
Interior Grille Parts	7
Frames	8
Frame Assembly - Elliptical Top	8
Glass Stops	8
Optional Components	9
Inside Casing and Plinth Blocks - Elliptical Top	9
Extension Jambs	11
Joining Components	12
Transom Joining Kit - Elliptical Top	12
Reinforced Mull Joining Components - Steel	14
Art Glass Components	17
Art Glass	17
Art Glass Stops	17
Art Glass Hardware	17
Perma-Shield® Circle Top and Quarter Round	Page 19
Parts Illustration	19
Unit Sizes	20
400 Series Product Label	20
Unit Size Chart - Perma-Shield Circle Top and Quarter Round	20
Product History	21
Product History	21
Glass	22

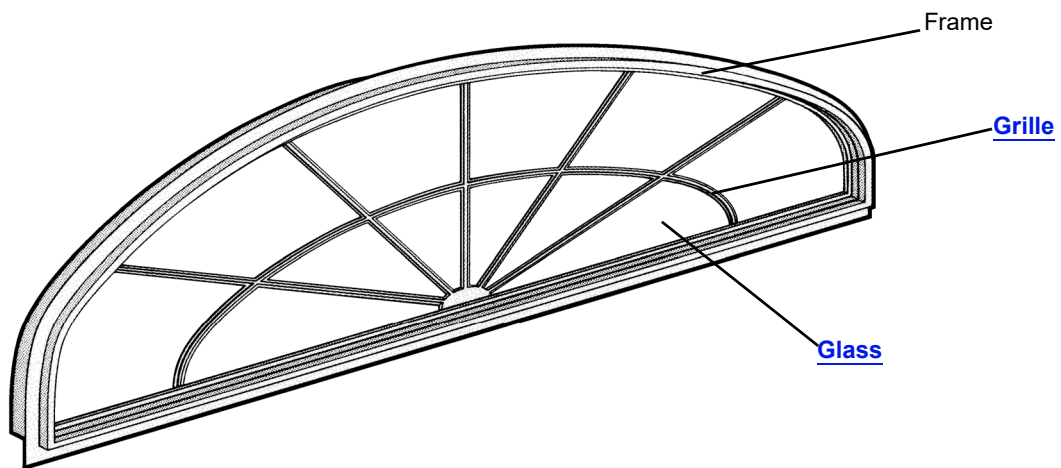
Glass - Perma-Shield Circle Top and Quarter Round	23
Grilles	26
Interior Grilles - Perma-Shield Circle Top and Quarter Round	26
Interior Grille Parts	29
Frames	30
Frame Assembly - Perma-Shield Circle Top and Quarter Round	30
Stops	31
Optional Components	34
Inside Casing and Plinth Blocks - Perma-Shield Circle Top and Quarter Round	34
Extension Jambs	36
Drywall Return Bead	37
Joining Components	40
Transom Joining Kit - Perma-Shield Circle Top and Quarter Round	40
Reinforced Mull Joining Components - Steel	42
Reinforced Mull Joining Components - Aluminum	45
Art Glass Components	47
Art Glass	47
Art Glass Stops	47
Art Glass Hardware	48
Double-Hung Circle Top	Page 49
Parts Illustration	49
Unit Sizes	50
400 Series Product Label	50
Unit Size Chart - Double-Hung Circle Top	50
Product History	51
Product History	51
Glass	52
Glass Size Table - Double-Hung Circle Top	52
Glass - Double-Hung Circle Top	52
Grilles	54
Interior Grilles - Double-Hung Circle Top	54
Interior Grille Parts	55
Frames	56
Frame Assembly - Double-Hung Circle Top	56
Stops	56
Optional Components	57
Inside Casing and Plinth Blocks - Double-Hung Circle Top	57
Extension Jambs	58
Joining Components	59

Transom Joining Kit - Double-Hung Circle Top	59
Reinforced Mull Joining Components - Steel	61
Art Glass Components	64
Art Glass	64
Art Glass Stops	64
Stormwatch™ Protection (Coastal Product)	Page 65
Glass	65
Glass - Circle Top and Quarter Round Windows (Impact Resistant)	66
Glass - Double-Hung Circle Top Windows / Impact Resistant	67
Frames	68
Stops (Impact Resistant)	68
Jamb Clip Kit (Impact Resistant)	69
Installation Clip Kit (Impact Resistant)	69
Service Replacement	Page 71
Service Replacement Only Parts	71
Service Replacement Only Parts	71
Exterior Grille - Circle Top / HDN / Hub	71
Glass - Circle Top and Quarter Round Windows / HP Sun Bronze	71
Glass - Double-Hung Circle Top Windows / HP Sun Bronze	71
Glass - Elliptical Windows / HP Sun Bronze	71

Elliptical Top Windows

Parts Illustration

Parts Illustration - Elliptical Top



Manufactured 1989 to Present

Elliptical Top Unit Parts

Unit viewed from exterior.

Unit Sizes

400 Series Product Label

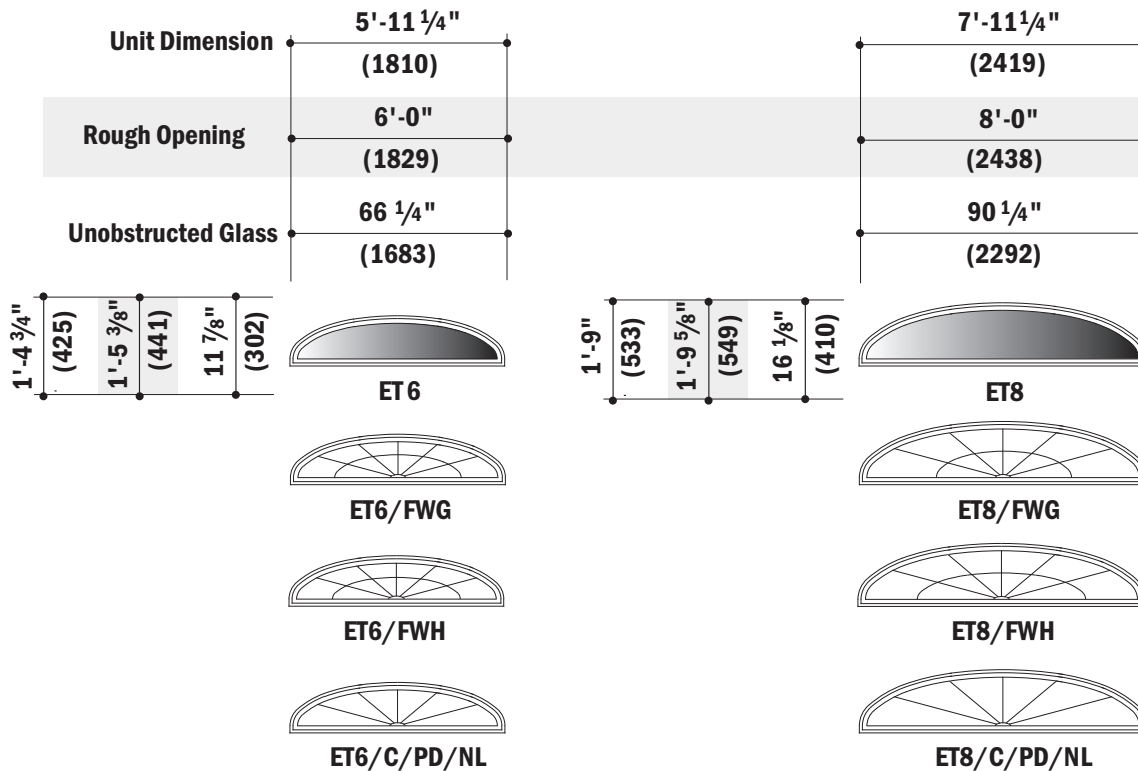
Note:

Some Elliptical Windows will have an identification label **or** glass etching containing a unique Product ID. The Product ID on Elliptical Windows will be located at the bottom of the window frame or etched into the glass. See [Service Guide 9051877](#). The Product ID may be up to 14 digits long (excluding hyphens), depending on the age of the unit. Replacement parts will also get their own unique Product ID. When ordering replacement parts, providing the Product ID ensures that replacement parts match the specifications.

Unit Size Chart - Elliptical Top

Note:

Unit Dimension refers to overall outside-to-outside frame. Unobstructed Glass refers to visible glass dimensions. Numbers in parentheses are metric measurements.



Elliptical Top Unit Sizes

400 Series Elliptical, Circle Top™ & QR Windows (1986 to Present)

Elliptical Top Windows

Product History

Product History

- 2003** Stormwatch™ Protection (Coastal Product) with design pressure upgrades, glass options, and structural enhancements introduced for Elliptical windows.
- 1989** Elliptical Windows introduced.

Glass

Glass Size Table - Elliptical Top

Note:

Unobstructed Glass is dimension from outside edge to outside edge of visible glass only.

Actual Glass is dimension of outside edge to outside edge of glass, including glass that is not visible.

Unit No.	Unobstructed Glass (w x h)	Actual Glass (w x h)
ET6	66 1/4 x 11 7/8	67 1/2 x 13 1/2
ET8	90 1/4 x 16 1/8	91 1/2 x 17 13/32

Glass - Elliptical Top

Note:

Stops must be ordered separately.

Glass - High-Performance™ Low-E4® [See illustration, page 1](#)

	Unit No.	Order No.
	ET6	2585506
	ET8	2585508

Glass - High-Performance™ Low-E4® Sun 3

	Unit No.	Order No.
	ET6	2585616
	ET8	2585618

Glass - High-Performance™ Sun II

Note:

Available by description.

Glass - High-Performance™ Low-E4® Finelight™

Note:

Grille pattern is Sunburst with a 1" grille profile. White interior and exterior.

	Unit No.	White
	ET6	2585532
	ET8	2585534

400 Series Elliptical, Circle Top™ & QR Windows (1986 to Present)

Elliptical Top Windows

Grilles

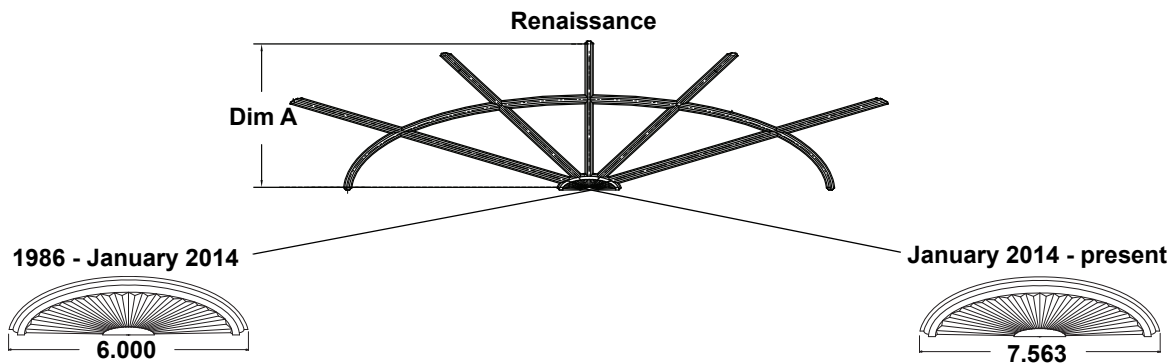
Interior Grilles - Elliptical Top

Note:

Elliptical Top grilles match the grille pattern of the products with which they are intended to be used. All replacement grilles have a 7.5" grille hub and include fasteners.

See [Accessory Guide 0005285](#).

Interior Grille - Renaissance / 7/8" Wood (January 2014 - present) [See illustration, page 1](#)



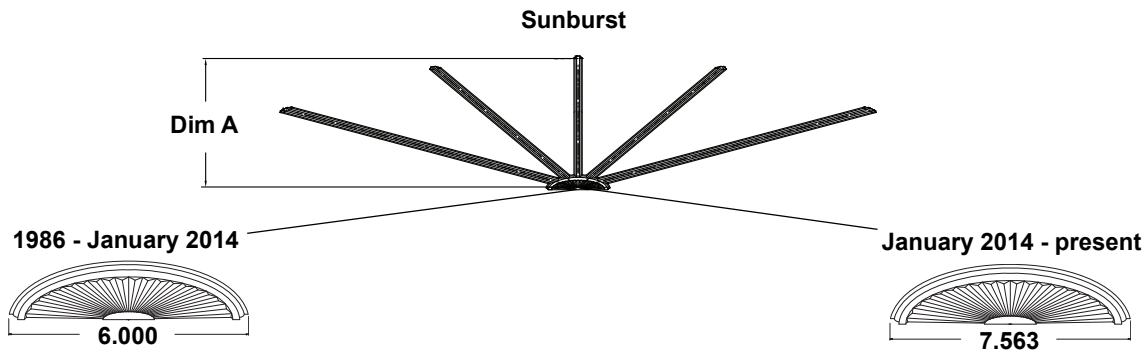
Unit No.	Dimension A	Color/Species						
		Exterior						
		White	Terratone	Sandtone	Forest Green	Canvas	Dark Bronze	Black
		Maple Interior						
ET6 FWG	11 ²⁹ / ₃₂	2565437	2650457	0910245	1217042	9076665	9076897	9128421
ET8 FWG	16 ⁵ / ₃₂	2565438	2650458	0910246	1217043	9076666	9076898	9128422
ET6 FWH	11 ²⁹ / ₃₂	2565435	2650455	0910243	1217040	9076663	9076895	9128419
ET8 FWH	16 ⁵ / ₃₂	2565436	2650456	0910244	1217041	9076664	9076896	9128420

Interior Grille - Renaissance / 7/8" Wood / Prefinished Interior (January 2014 - present)

Unit No.	Dimension A	Color/Finish						
		Exterior						
		White	Terratone	Sandtone	Forest Green	Canvas	Dark Bronze	Black
		Interior						
		White	Terratone	Sandtone	Forest Green	Canvas	Dark Bronze	Black
ET6 FWG	11 ²⁹ / ₃₂	2565487	2650467	0910255	1217062	9076669	9076901	9128425
ET8 FWG	16 ⁵ / ₃₂	2565488	2650468	0910256	1217063	9076670	9076902	9128426
ET6 FWH	11 ²⁹ / ₃₂	2565485	2650465	0910253	1217060	9076667	9076899	9128423
ET8 FWH	16 ⁵ / ₃₂	2565486	2650466	0910254	1217061	9076668	9076900	9128424

Grilles

Interior Grille - Sunburst / 7/8" Wood / Natural Wood Interior (January 2014 - present)



Unit No.	Dimension A	Color/Species						
		Exterior						
		White	Terratone	Sandtone	Forest Green	Canvas	Dark Bronze	Black
		Maple Interior						
ET6	11 ²⁹ / ₃₂	1656288	2751267	1139080	0331908	9076685	9076917	9128441
ET8	16 ⁵ / ₃₂	1656289	2751268	1139081	0331909	9076686	9076918	9128442

Interior Grille - Sunburst / 7/8" Wood / Prefinished Interior (January 2014 - present)

Unit No.	Dimension A	Color/Finish						
		Exterior						
		White	Terratone	Sandtone	Forest Green	Canvas	Dark Bronze	Black
		Interior						
ET6	11 ²⁹ / ₃₂	By description	By description	By description	By description	By description	By description	By description
ET8	16 ⁵ / ₃₂	By description	By description	By description	By description	By description	By description	By description

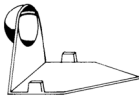
400 Series Elliptical, Circle Top™ & QR Windows (1986 to Present)

Elliptical Top Windows

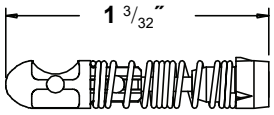
Grilles

Interior Grille Parts

Interior Grille Fastener - Wood / Standard and Non-Standard

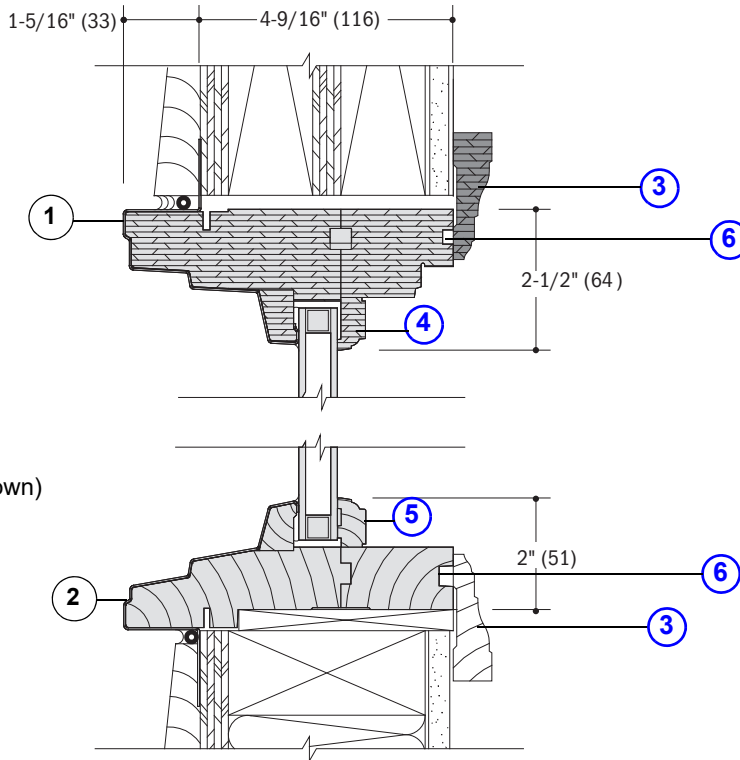
	Note: Used on current products with a wood stop next to glass. May be referred to as barbed fastener.	Order No.
		1974314

Interior Grille Fastener - Plunger

	Note: Used on older vintage products with grommets. Used on spokes and hubs.	Order No.
		1630038

Frames

Frame Assembly - Elliptical Top



1. Laminated Arch Frame
2. Sill
3. [Interior Casing](#)
4. [Inside Arch Trim Stop](#)
5. [Sill Glass Stop](#)
6. [Extension Jamb](#) (not shown)

Elliptical Top Frame Assembly

Glass Stops

Glass Stop - Arch Ref. No. 4

	Unit No.	White	Pine
	ET6	9013949	2585209
	ET8	9013951	2585210

Glass Stop - Sill Ref. No. 5

	Unit No.	White	Pine
	ET6	1290027	2585306
	ET8	1290028	2585308

Glass Stop - Arch / Optional Glazing (Impact Resistant)

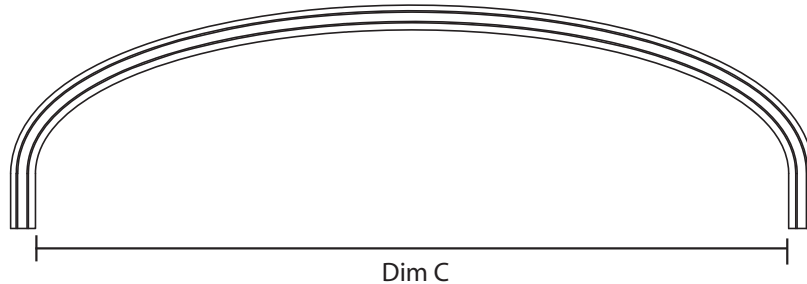
	Unit No.	White	Pine
	ET6	9013949	2585209
	ET8	9013951	2585210

400 Series Elliptical, Circle Top™ & QR Windows (1986 to Present)

Elliptical Top Windows

Optional Components

Inside Casing and Plinth Blocks - Elliptical Top



Elliptical Top Optional Inside Casing

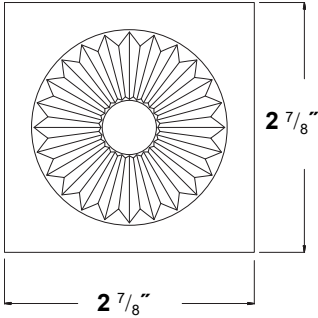
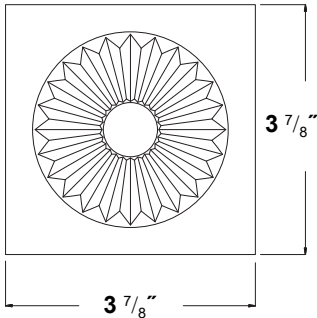
Inside Casing - Arch / Colonial with Plinth Blocks Ref. No. 3 [page 8](#)

Unit No.	Dim C	2 1/4"			2 1/2"			3 1/2"		
		WM366			WM351			WM444		
		Pine	Maple	Oak	Pine	Maple	Oak	Pine	Maple	Oak
ET6 FWG	68 1/2	9074232	2583506	2583606	9074240	2583906	N/A	9074248	2583402	2583302
ET6 FWH/C/PD	69 7/8	9074236	2584106	2584206	9074244	2584506	N/A	9074250	2583404	2583304
ET8 FWG	92 1/2	9074233	2583508	2583608	9074241	2583908	N/A	9074249	2583406	2583306
ET8 FWH/C/PD	93 7/8	9074237	2584108	2584208	9074245	2584508	N/A	9074251	2583408	2583308

Inside Casing - Arch / Ranch with Plinth Blocks

Unit No.	Dim C	2 1/4"			2 1/2"		
		WM324			WM315		
		Pine	Maple	Oak	Pine	Maple	Oak
ET6 FWG	68 1/2	9074234	2583706	2583806	9074242	2584006	N/A
ET6 FWH/C/PD	69 7/8	9074238	2584306	2584406	9074246	2584606	N/A
ET8 FWG	92 1/2	9074235	2583708	2583808	9074243	2584008	N/A
ET8 FWH/C/PD	93 7/8	9074239	2584308	2584408	9074247	2584608	N/A

Optional Components

Plinth Block						
	$2 \frac{7}{8}''$			$3 \frac{7}{8}''$		
						
Product Line	Pine	Maple	Oak	Pine	Maple	Oak
Multiple	9074427	1387108	1387104	9074428	1387112	1387110

400 Series Elliptical, Circle Top™ & QR Windows (1986 to Present)

Elliptical Top Windows

Optional Components

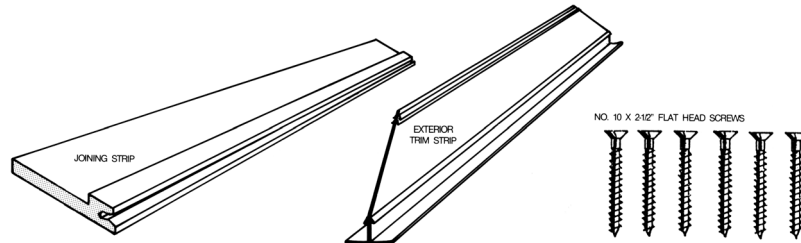
Extension Jambs			
Extension Jamb - Arch / Sill			
Note: ET6 FWG and ET8 FWG units need a filler strip, page 11 .			
Unit No.	5 1/4" Wall	6 9/16" Wall	7 1/8" Wall
	Veneer Face: 11/16"	Veneer Face: 2"	Veneer Face: 2 9/16"
ET6 FWH/PSC/PD/NL	2583004	2583104	2583204
ET6 FWG	2583006	2583106	2583206
ET8 FWG	2583010	2583110	2583210
ET8 FWH/PSC/PD/NL	2583008	2583108	2583208

Extension Jambs - Arch / Sill / White			
Unit No.	5 1/4" Wall	6 9/16" Wall	7 1/8" Wall
	Veneer Face: 11/16"	Veneer Face: 2"	Veneer Face: 2 9/16"
ET6 FWH/PSC/PD/NL	2585725	2585729	2585733
ET6 FWG	2585726	2585730	2585734
ET8 FWG	2585728	2585732	2585736
ET8 FWH/PSC/PD/NL	2585727	2585731	2585735

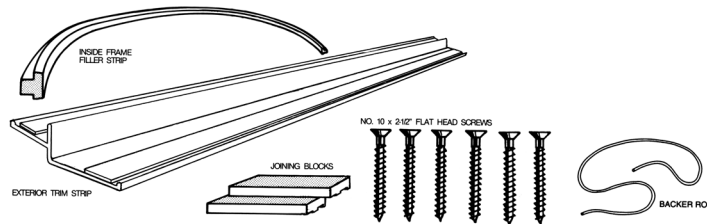
Filler (FWG Only)			
	Note: This filler strip is for inside frame extension jambs on FWG only.	Unit No.	Order No.
		ET6	8201101
		ET8	8201102

Joining Components

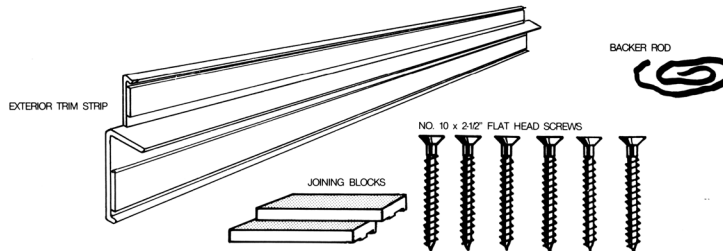
Transom Joining Kit - Elliptical Top



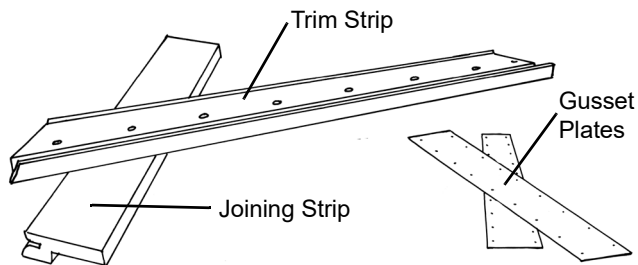
For Use with Frenchwood® Hinged Door



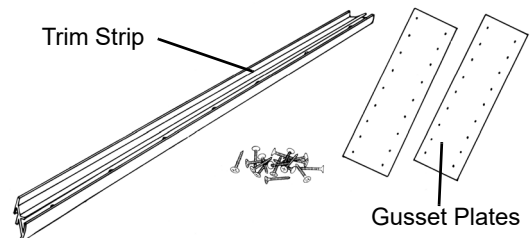
For Use with Frenchwood® Gliding Door



For Use with Perma-Shield® Gliding Door



For Use with Perma-Shield® Casement Windows



For Use with Perma-Shield® Narroline Windows

Elliptical Top Transom Joining

400 Series Elliptical, Circle Top™ & QR Windows (1986 to Present)

Elliptical Top Windows

Joining Components

Joining Kit - Transom							
Kit includes: Trim strip, joining strip, inside frame filler strip for extension jambs, and screw packs							
Unit No.	White	Terratone	Sandtone	Forest Green	Canvas	Dark Bronze	Black
ET6 FWG	2582810	2663010	0932008	1217011	9074056	9074066	9129348
ET6 FWH	2582808	2663008	0932010	1217010	9076802	9077034	9129425
ET6 FWG without filler	2582811	2663011	0932009	1217008	9074057	9074067	9129349
ET6 PSC	2582804	2663004	0932002	By description	9076800	9077032	9129423
ET6	2582806	2663006	0932004	9071796	9076801	9077033	9129424
ET6 PSPD	2582812	2663012	0932006	By description	9074055	9074065	9129346
ET8 FWG	2582818	2663018	0932018	1217012	9074059	9074069	9129351
ET8 FWG without filler	2582819	2663019	0932019	1217009	9074060	9074070	9129352
ET8 FWH	2582820	2663020	0932020	1217013	9033906	9077058	9129449
ET8 PSC	2582814	2663014	0932012	By description	9033905	9077057	9129448
ET8	2582816	2663016	0932014	9071797	9076803	9077035	9129426
ET8 PSPD	2582822	2663022	0932016	By description	9074058	9074068	9129350

Exterior Trim Strip - Mull							
Unit No.	White	Terratone	Sandtone	Forest Green	Canvas	Dark Bronze	Black
ET6 FWG	2585710	2663310	0932208	1217022	9074062	9074072	9129264
ET6 FWH/PSC	2585708	2663308	0932202	1217021	9033599	9073199	9129230
ET6 PSNL	2585706	2663306	0932204	1217020	9072063	9073176	9129214
ET6 PSPD	2585711	2663311	0932206	By description	9074061	9074071	9129263
ET8 FWG	2585716	2663316	0932216	1217025	9074064	9074074	9129266
ET8 FWH/PSC	2585714	2663314	0932210	1217024	9033600	9073200	9129231
ET8 PSNL	2585712	2663312	0932212	1217023	9072064	9073177	9129215
ET8 PSPD	2585718	2663318	0932214	By description	9074062	9074073	9129265

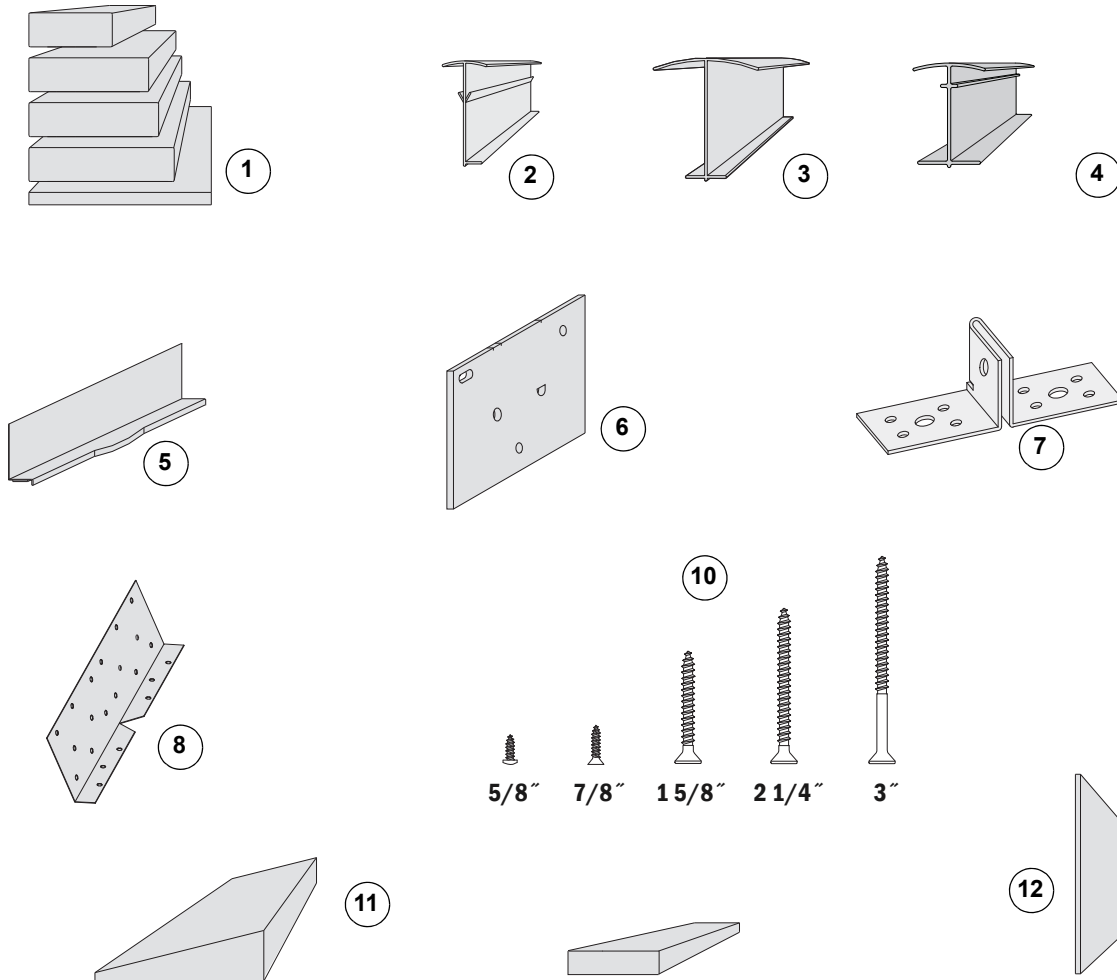
Inside Casing - Mull							
Unit No.	2"			2 5/8"			
	Pine	Oak	White	Pine	Oak	Maple	White
ET6	2584706	2584806	2584707	2584906	2585006	9183744	2584907
ET8	2584708	2584808	2584709	2584908	2585008	9183745	2584909

Gusset Plate		
	Unit No.	Order No.
	CTC/CTN/ET/DH	1359510

Joining Components

Reinforced Mull Joining Components - Steel

Note:
See [Joining Guide 0005184](#).



**Steel Reinforced Narrow Mullion
for Elliptical & Double Hung Circle Top Windows**

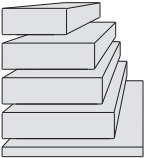
IMPORTANCE OF PROPER SELECTION:


It is essential that you select the proper joining members for Andersen windows. Andersen strongly recommends consultation with an experienced structural engineer, contractor, architect or your local Andersen window supplier prior to the installation of any Andersen product. Installation of Andersen products is the sole responsibility of the architect, building owner, contractor, and/or consumer, and Andersen has no responsibility in this regard. For more information about joining materials, please see the Andersen Residential Product Guide, the Andersen Commercial Catalog, or the Andersen Architectural Detail File.

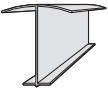
400 Series Elliptical, Circle Top™ & QR Windows (1986 to Present)

Elliptical Top Windows

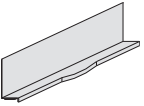
Joining Components

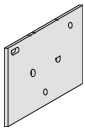
Inside Casing - Steel Reinforced Mullion Ref. No. 1 page 14					
Note: Inside wood casing must be modified. See installation instructions.					
		Length	2 3/8"	2 5/8"	2 15/16"
		96 in	2340602	2340606	2340614
		144 in	2340604	2340608	2340616

Exterior Trim Strip - Transom/ RIA/CTN Horizontal Ref. No. 2 page 14								
	Length	White	Terra-tone®	Sandtone	Forest Green	Canvas	Dark Bronze	Black
	150 in	2340520	2340522	2340524	2340526	9087235	9087272	9129277

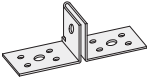
Exterior Trim Strip - TW / Vertical Ref. No. 3 page 14								
	Length	White	Terra-tone®	Sandtone	Forest Green	Canvas	Dark Bronze	Black
	150 in	1632926	2741726	1142426	0331797	9053177	9073178	9129320

Exterior Trim Strip - Transom/TWT/ Horizontal Ref. No. 4 page 14								
	Length	White	Terra-tone®	Sandtone	Forest Green	Canvas	Dark Bronze	Black
	48 in	0102713	0102726	0102725	0102727	9076696	9076929	9133084
	84 in	0102728	0102730	0102729	0102731	9076697	9076930	9133085
	150 in	0102732	0102734	0102733	0102735	9076698	9076931	9130022

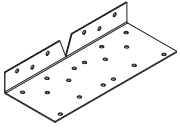
Exterior Narrow Mull Flashing Ref. No. 5 page 14								
	Length	White	Terra-tone®	Sandtone	Forest Green	Canvas	Dark Bronze	Black
	6 in		2742108		0331798	9053178	9073179	9127235

Joining Strip - Steel Reinforced Mullion Ref. No. 6 page 14		
	Unit Size	Order No.
	96 1/4 in	2340406
	114 in	2340408
	150 in	2340410

Joining Components

End Bracket - Steel Ref. No. 7 page 14	
	Order No.
	2340424

Gusset Plate Kit Ref. Nos. 8, 10, 11, 12 page 14								
		White	Terra-tone®	Sandtone	Forest Green	Canvas	Dark Bronze	Black
		2340418	2340420	2340417	2340419	9087234	9087271	9128443

Gusset Plate - Reinforced Mullion Ref. No. 8 page 14	
	Order No.
	2340426

400 Series Elliptical, Circle Top™ & QR Windows (1986 to Present)

Elliptical Top Windows

Art Glass Components

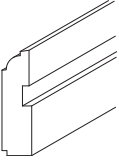
Art Glass

Note:

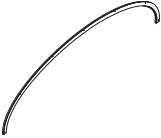
Information about ordering replacement art glass panels can be found in the Andersen Art Glass section of the catalog.

Art Glass Stops

Trim Stop - Art Glass / Sill

		Unit No.	Length	Order No.
		AG ET6	65 ²¹ / ₃₂	2370170
		AG ET8	89 ²¹ / ₃₂	2370172

Inside Trim Stop

		Unit No.	Length	Order No.
		AG ET6	66 ¹ / ₂	2370214
		AG ET8	90 ¹ / ₂	2370216

Art Glass Hardware

Bracket Package - Standard / Top and Bottom

	Package includes: 2 upper brackets, 2 lower brackets, shims, and fasteners	Order No. 2370020
--	--	-----------------------------

Bracket with Screws - Standard / Top

	Package includes: 2 upper brackets and fasteners	Order No. 2370024
--	--	-----------------------------

Bracket Package - AG ET / Top and Bottom

	Package includes: 3 upper brackets, 3 lower brackets, shims, and fasteners	Order No. 2370022
--	--	-----------------------------

Screw Package - Standard

	Package includes: 11 - 1" brass trim screws	Order No. 2370026
--	---	-----------------------------

Screw Package - AG ET

	Package includes: 15 - 3/4" brass trim screws	Order No. 2370028
--	---	-----------------------------

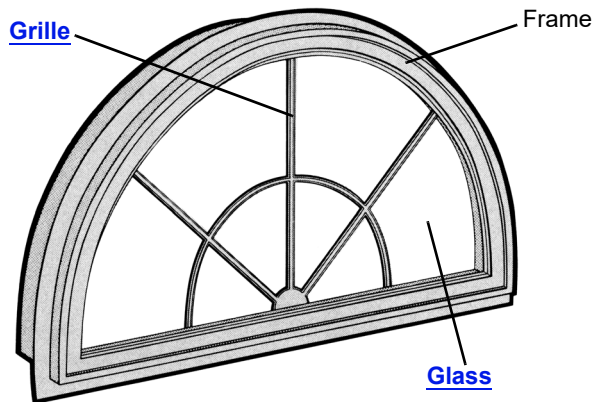
Notes

400 Series Elliptical, Circle Top™ & QR Windows (1986 to Present)

Perma-Shield® Circle Top and Quarter Round

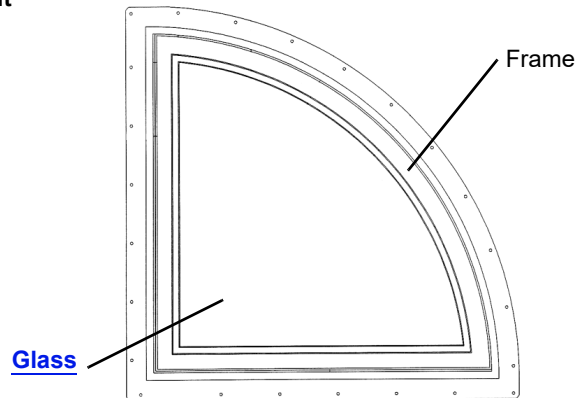
Parts Illustration

Parts Illustration - Perma-Shield Circle Top and Quarter Round



Perma-Shield Circle Top

**Circle Top Windows:
Manufactured 1986 to Present**



Quarter Round

**Quarter Round Windows:
Manufactured 1988 to Present**

Perma-Shield® Circle Top and Quarter Round Unit Parts

Unit Sizes

400 Series Product Label

Note:

Some CT/QR Windows will have an identification label or glass etching containing a unique Product ID. The Product ID on CT/QR Windows will be located at the bottom of the window frame or etched into the glass. See [Service Guide 9051877](#). The Product ID may be up to 14 digits long (excluding hyphens), depending on the age of the unit. Replacement parts will also get their own unique Product ID. When ordering replacement parts, providing the Product ID ensures that replacement parts match the specifications.

Unit Size Chart - Perma-Shield Circle Top and Quarter Round

Note:

Unit Dimension refers to overall outside-to-outside frame. Unobstructed Glass refers to visible glass dimensions. Numbers in parentheses are metric measurements.

Size Table—Circle Top™ Window—Casement/Awning Sizes

Unit Dimension	2'-0 1/8"	2'-4 3/8"	2'-7 1/2"	2'-11 15/16"
Minimum Rough Opening	2'-0 5/8" (625)	2'-4 7/8" (733)	2'-8" (813)	3'-0 1/2" (927)
Unobstructed Glass	19 1/2" (495)	23 3/4" (603)	26 7/8" (683)	31 5/16" (795)
	CTQC1	CTQCW1	CTQCX 1 †	CTQA3
	Renaissance Pattern			Sunburst Pattern
Unit Dimension	2'-0 1/8"	2'-4 3/8"	2'-7 1/2"	2'-11 15/16"
Minimum Rough Opening	2'-0 5/8" (625)	2'-4 7/8" (733)	2'-8" (813)	3'-0 1/2" (927)
Unobstructed Glass	19 1/2" (495)	23 3/4" (603)	26 7/8" (683)	31 5/16" (795)
	CTC1	CTCW1	CTCX1 †	CTCXW1
	Renaissance Pattern			Sunburst Pattern
Unit Dimension	4'-0"	4'-8 1/2"	5'-2 3/4"	5'-11 7/8"
Minimum Rough Opening	4'-0 1/2" (1232)	4'-9" (1448)	5'-3 1/4" (1607)	6'-0 3/8" (1838)
Unobstructed Glass	43 3/8" (1102)	51 7/8" (1318)	58 1/8" (1476)	67 1/4" (1708)
	CTC2	CTCW2	CTCX2 †	CTC3
	Renaissance Pattern			Sunburst Pattern

Perma-Shield® Circle Top and Quarter Round Unit Sizes

400 Series Elliptical, Circle Top™ & QR Windows (1986 to Present)

Perma-Shield® Circle Top and Quarter Round

Product History

Product History

- 2003** Stormwatch™ Protection (Coastal Product) with design pressure upgrades, glass options, and structural enhancements introduced for Circle Top & Quarter Round Windows.
- 1988** Perma-Shield Quarter Round Windows introduced.
- 1986** Perma-Shield Circle Top Windows introduced.

Glass

Glass Size Table - Perma-Shield Circle Top and Quarter Round

Note:

Unobstructed Glass is dimension from outside edge to outside edge of visible glass only.

Actual Glass is dimension of outside edge to outside edge of glass, including glass that is not visible.

Circle Top Windows

Unit No.	Unobstructed Glass (w x h)	Actual Glass (w x h)
CTC1	$19 \frac{1}{2} \times 9 \frac{3}{4}$	$20 \frac{13}{16} \times 11 \frac{1}{32}$
CTCW1	$23 \frac{3}{4} \times 11 \frac{7}{8}$	$25 \frac{1}{16} \times 13 \frac{5}{32}$
CTCX1	$26 \frac{7}{8} \times 13 \frac{7}{16}$	$28 \frac{3}{16} \times 14 \frac{23}{32}$
CTCXW1	$31 \frac{5}{16} \times 15 \frac{5}{8}$	$32 \frac{5}{8} \times 16 \frac{29}{32}$
CTC2	$43 \frac{3}{8} \times 21 \frac{11}{16}$	$44 \frac{11}{16} \times 22 \frac{31}{32}$
CTCW2	$51 \frac{7}{8} \times 25 \frac{15}{16}$	$53 \frac{3}{16} \times 27 \frac{7}{32}$
CTCX2	$58 \frac{1}{8} \times 29$	$59 \frac{7}{16} \times 30 \frac{9}{32}$
CTC3	$67 \frac{1}{4} \times 33 \frac{5}{8}$	$68 \frac{9}{16} \times 34 \frac{29}{32}$

Quarter Round Windows

Unit No.	Unobstructed Glass (w x h)	Actual Glass (w x h)
CTQC1	$19 \frac{1}{2} \times 19 \frac{1}{2}$	$21 \frac{1}{16} \times 21 \frac{1}{16}$
CTQCW1	$23 \frac{3}{4} \times 23 \frac{3}{4}$	$25 \frac{5}{16} \times 25 \frac{5}{16}$
CTQCX1	$26 \frac{7}{8} \times 26 \frac{7}{8}$	$28 \frac{7}{16} \times 28 \frac{7}{16}$
CTQA3	$31 \frac{5}{16} \times 31 \frac{5}{16}$	$32 \frac{7}{8} \times 32 \frac{7}{8}$

400 Series Elliptical, Circle Top™ & QR Windows (1986 to Present)

Perma-Shield® Circle Top and Quarter Round

Glass

Glass - Perma-Shield Circle Top and Quarter Round

Note:

Stops must be ordered separately.

See [Service Guide 0004175](#).

Glass - High-Performance™ Low-E4®

Unit No.	Order No.	Unit No.	Order No.
CTC1	1388602	CTCX2	1388848
CTCW1	1388604	CTC3	1388610
CTCX1	1388847	CTQC1	1389806
CTCXW1	1388605	CTQCW1	1389808
CTC2	1388606	CTQCX1	1388849
CTCW2	1388608	CTQA3	1389809

Glass - High-Performance™ Low-E4® Sun 3

Unit No.	Order No.	Unit No.	Order No.
CTC1	1388802	CTCX2	By description
CTCW1	1388804	CTC3	1388810
CTCX1	By description	CTQC1	1389814
CTCXW1	1389813	CTQCW1	1389816
CTC2	1388806	CTQCX1	By description
CTCW2	1388808	CTQA3	1389818

Glass - High-Performance™ Sun II

Note:

Available by description.

Glass - High-Performance™ Low-E4® Finelight™ / Sunburst / White

Note:

The Sunburst pattern is shown on [page 20](#) and does not include a hub. Finelight™ color is white.

Unit No.	Order No.	Unit No.	Order No.
CTC1	1388652	CTCX2	By description
CTCW1	1388654	CTC3	1388662
CTCX1	By description	CTQC1	1388664
CTCXW1	1388656	CTQCW1	1388666
CTC2	1388658	CTQCX1	By description
CTCW2	1388660	CTQA3	1388668

Glass

Glass - High-Performance™ Low-E4® Finelight™ Radius / Renaissance / White			
Note: The Renaissance pattern shown on page 20 . Finelight™ color is white.			
Unit No.	Order No.	Unit No.	Order No.
CTC1	By description	CTCX2	By description
CTCW1	By description	CTC3	1388833
CTCX1	By description	CTQC1	1388834
CTCXW1	1388830	CTQCW1	1388835
CTC2	1388831	CTQCX1	By description
CTCW2	1388832	CTQA3	1388836

Glass - High-Performance™ Low-E4® Tempered			
Unit No.	Order No.	Unit No.	Order No.
CTC1	By description	CTCX2	By description
CTCW1	By description	CTC3	By description
CTCX1	By description	CTQC1	By description
CTCXW1	By description	CTQCW1	By description
CTC2	By description	CTQCX1	By description
CTCW2	1388408	CTQA3	By description

Glass - Dual Pane			
Unit No.	Order No.	Unit No.	Order No.
CTC1	1388520	CTCX2	1388846
CTCW1	1388522	CTC3	1388530
CTCX1	1388845	CTQC1	1388532
CTCXW1	1388524	CTQCW1	By description
CTC2	1388526	CTQCX1	By description
CTCW2	1388528	CTQA3	By description

Glass - Dual Pane Finelight™ / Sunburst / White			
Note: The Sunburst pattern is shown on page 20 . Finelight™ color is white.			
Unit No.	Order No.	Unit No.	Order No.
CTC1	1388538	CTCX2	By description
CTCW1	1388540	CTC3	1388548
CTCX1	By description	CTQC1	1388550
CTCXW1	1388542	CTQCW1	By description
CTC2	1388544	CTQCX1	By description
CTCW2	1388546	CTQA3	By description

400 Series Elliptical, Circle Top™ & QR Windows (1986 to Present)

Perma-Shield® Circle Top and Quarter Round

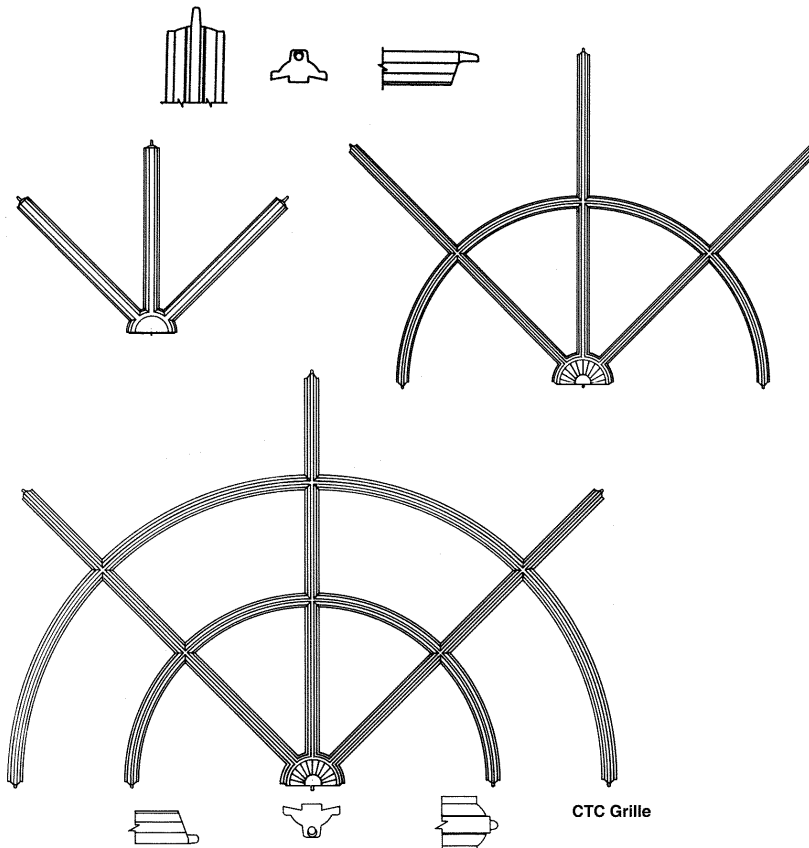
Glass

Glass - Dual Pane Finelight™ Radius / Renaissance / White			
Note: The Renaissance pattern shown on page 20 . Finelight™ color is white.			
Unit No.	Order No.	Unit No.	Order No.
CTC1	By description	CTCX2	By description
CTCW1	By description	CTC3	1388843
CTCX1	By description	CTQC1	1388844
CTCXW1	1388840	CTQCW1	By description
CTC2	1388841	CTQCX1	By description
CTCW2	1388842	CTQA3	By description

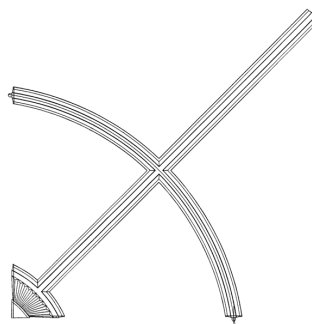
Grilles

Interior Grilles - Perma-Shield Circle Top and Quarter Round

Note:
See [Accessory Guide 0005285](#). Grilles include fasteners.



Perma-Shield Circle Top



Quarter Round

Perma-Shield® Circle Top and Quarter Round Wide Profile Interior Grilles

400 Series Elliptical, Circle Top™ & QR Windows (1986 to Present)

Perma-Shield® Circle Top and Quarter Round

Grilles

Interior Grille - Renaissance / 3/4" Wood / Natural Wood Interior									
Unit No.	Shape	Dimen- sions	Color/Species						
			Exterior						
			White	Terratone	Sandtone	Forest Green	Canvas	Dark Bronze	Black
			Maple Interior						
CTC1	See Chart	9 21/32	By description	By description	By description	By description	By description	By description	By description
CTCW1		11 25/32	By description	By description	By description	By description	By description	By description	By description
CTCX1		13 9/32	1387859	1479634	0640118	0514422	9076655	9076887	9128411
CTCXW1		15 17/32	1346099	1478913	0621103	0514401	9076643	9076875	9128399
CTC2		21 21/32	1387851	1479627	0640111	0514404	9076648	9076880	9128404
CTCW2		25 29/32	1387852	1479628	0640112	0514405	9076649	9076881	9128405
CTCX2		28 31/32	1387857	1479632	0640116	0514420	9076653	9076885	9128409
CTC3	34 15/16	1387853	1479629	0640113	0514406	9076650	9076882	9128406	
CTQC1	See Chart	18 7/8	By description	By description	By description	By description	9076652	9076884	9128408
CTQCW1		23 1/8	By description	By description	By description	By description	9076651	9076883	9128407
CTQCX1		26 1/4	1387858	1479633	0640117	0514421	9076654	9076886	9128410
CTQA3		30 5/8	By description	By description	By description	By description	9076645	9076877	9128401

Interior Grille - Renaissance / 3/4" Wood / Prefinished Interior									
Unit No.	Shape	Dimen- sions	Color/Finish						
			Exterior						
			White	Terratone	Sandtone	Forest Green	Canvas	Dark Bronze	Black
			Interior						
White	Terratone	Sandtone	Forest Green	Canvas	Dark Bronze	Black			
CTC1	See Chart	9 21/32	By description	By description	By description	By description	By description	By description	By description
CTCW1		11 25/32	By description	By description	By description	By description	By description	By description	By description
CTCX1		13 9/32	1387864	1479639	0640123	0514427	9076660	9076892	9128416
CTCXW1		15 17/32	1385415	1478915	0621105	0514569	9076664	9076876	9128400
CTC2		21 21/32	1353135	1443636	0604065	0514573	9076638	9076870	9128394
CTCW2		25 29/32	1353136	1443637	0604066	0514574	9076639	9076871	9128395
CTCX2		28 31/32	1387862	1479637	0640121	0514425	9076658	9076890	9128414
CTC3	34 15/16	1353137	1443638	0604067	0514575	9076640	9076872	9128396	
CTQC1	See Chart	18 7/8	1353139	1443640	0604069	0514577	9076642	9076874	9128398
CTQCW1		23 1/8	1353138	1443639	0604068	0514576	9076641	9076873	9128397
CTQCX1		26 1/4	1387863	1479638	0640122	0514426	9076659	9076891	9128415
CTQA3		30 5/8	1353140	1443633	0604062	0514570	9076635	9076867	9128391

Grilles

Interior Grille - Sunburst / 3/4" Wood / Natural Wood Interior									
Unit No.	Shape	Dimen- sions	Color/Species						
			Exterior						
			White	Terratone	Sandtone	Forest Green	Canvas	Dark Bronze	Black
			Maple Interior						
CTC1	See Chart	9 ²¹ / ₃₂	1387849	1479625	0640109	0514402	9076646	9076878	9128402
CTCW1		11 ²⁵ / ₃₂	1387850	1479626	0640110	0514403	9076647	9076879	9128403
CTCX1		13 ⁹ / ₃₂	1387860	1479635	0640119	0514423	9076656	9076888	9128412
CTCXW1		15 ¹⁷ / ₃₂	1387861	1479636	0640120	0514424	9076657	9076889	9128413
CTC2		21 ²¹ / ₃₂	By description	By description	By description	By description	By description	By description	By description
CTCW2		25 ²⁹ / ₃₂	By description	By description	By description	By description	By description	By description	By description
CTCX2		28 ³¹ / ₃₂	By description	By description	By description	By description	By description	By description	By description
CTC3		34 ¹⁵ / ₁₆	By description	By description	By description	By description	By description	By description	By description
CTQC1		18 ⁷ / ₈	By description	By description	By description	By description	By description	By description	By description
CTQCW1		23 ¹ / ₈	By description	By description	By description	By description	By description	By description	By description
CTQCX1		26 ¹ / ₄	By description	By description	By description	By description	By description	By description	By description
CTQA3		30 ⁵ / ₈	By description	By description	By description	By description	By description	By description	By description

Interior Grille - Sunburst / 3/4" Wood / Prefinished Interior See illustration, page 19									
Unit No.	Shape	Dimen- sions	Color/Finish						
			Exterior						
			White	Terratone	Sandtone	Forest Green	Canvas	Dark Bronze	Black
			Interior						
			White	Terratone	Sandtone	Forest Green	Canvas	Dark Bronze	Black
CTC1	See Chart	9 ²¹ / ₃₂	1353133	1443634	0604063	0514571	9076636	9076868	9128392
CTCW1		11 ²⁵ / ₃₂	1353134	1443635	0604064	0514572	9076637	9076869	9128393
CTCX1		13 ⁹ / ₃₂	By description	By description	By description	By description	9076661	9076893	9128417
CTCXW1		15 ¹⁷ / ₃₂	By description	By description	By description	By description	9076662	9076894	9128418
CTC2		21 ²¹ / ₃₂	By description	By description	By description	By description	By description	By description	By description
CTCW2		25 ²⁹ / ₃₂	By description	By description	By description	By description	By description	By description	By description
CTCX2		28 ³¹ / ₃₂	By description	By description	By description	By description	By description	By description	By description
CTC3		34 ¹⁵ / ₁₆	By description	By description	By description	By description	By description	By description	By description
CTQC1		18 ⁷ / ₈	By description	By description	By description	By description	By description	By description	By description
CTQCW1		23 ¹ / ₈	By description	By description	By description	By description	By description	By description	By description
CTQCX1		26 ¹ / ₄	By description	By description	By description	By description	By description	By description	By description
CTQA3		30 ⁵ / ₈	By description	By description	By description	By description	By description	By description	By description

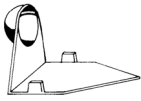
400 Series Elliptical, Circle Top™ & QR Windows (1986 to Present)

Perma-Shield® Circle Top and Quarter Round

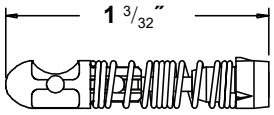
Grilles

Interior Grille Parts

Interior Grille Fastener - Wood / Standard and Non-Standard

	Note: Used on current products with a wood stop next to glass. May be referred to as barbed fastener. Used on all spokes and CTCX1, CTCXW1 hubs.	Order No.
		1974314

Interior Grille Fastener - Plunger

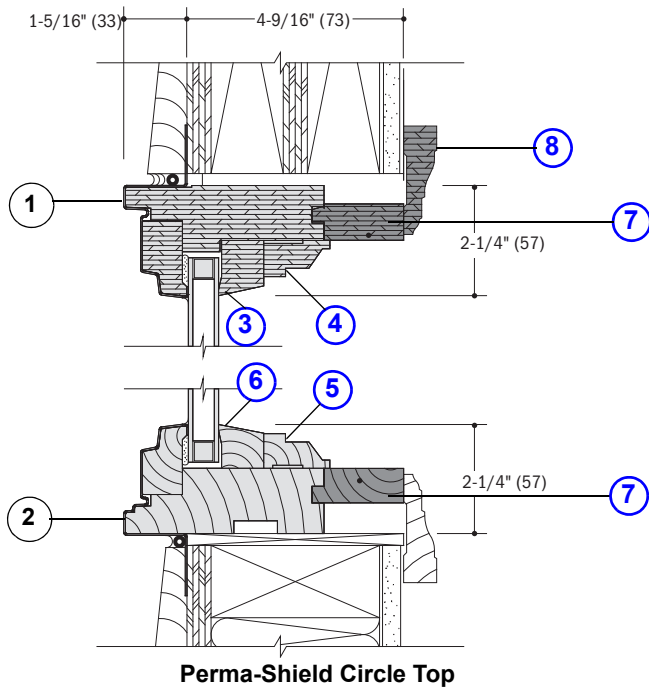
	Note: Used on older vintage products with grommets in stops. Used on hubs other than CTCX1 and CTCXW1.	Order No.
		1630038

Frames

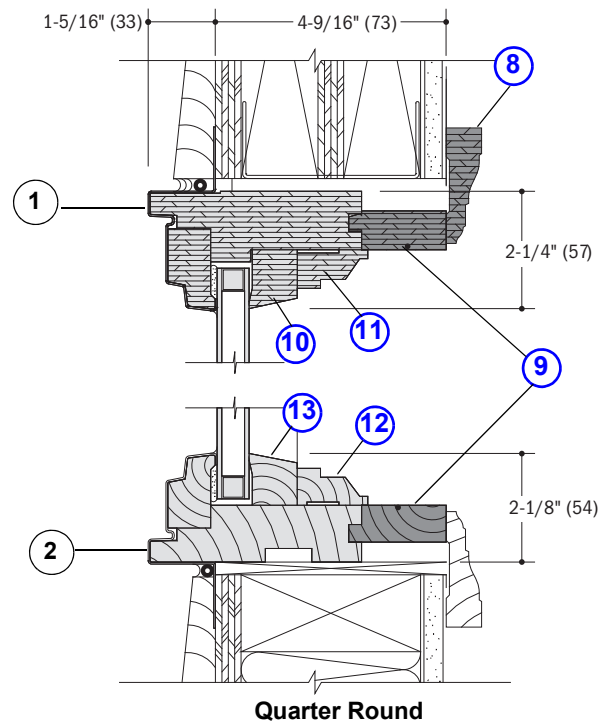
Frame Assembly - Perma-Shield Circle Top and Quarter Round

Note:

See latest [Product Details](#).



1. Laminated Frame
2. Sill
3. [Circle Top Inside Glass Arch Stop](#)
4. [Circle Top Inside Arch Trim Stop](#)
5. [Circle Top Inside Sill Trim Stop](#)
6. [Circle Top Inside Sill Glass Stop](#)
7. [Circle Top Extension Jamb](#)
8. [Interior Casing](#)
9. [Quarter Round Extension Jamb](#)
10. [Quarter Round Inside Glass Arch Stop](#)
11. [Quarter Round Inside Arch Trim Stop](#)
12. [Quarter Round Inside Sill Trim Stop](#)
13. [Quarter Round Inside Sill Glass Stop](#)



Perma-Shield® Circle Top and Quarter Round Frame Assembly

400 Series Elliptical, Circle Top™ & QR Windows (1986 to Present)

Perma-Shield® Circle Top and Quarter Round

Frames

Stops

Inside Trim Stop - Arch - Circle Top Ref. No. 4 [page 30](#)

	Unit No.	White	Pine
	CTC1	9013899	1387502
	CTCW1	9013911	1387504
	CTCX1	1399325	1399301
	CTCXW1	9013923	1387505
	CTC2	9013903	1387506
	CTCW2	9013915	1387508
	CTCX2	1399326	1399302
	CTC3	9013907	1387510

Inside Trim Stop - Arch - Quarter Round Ref. No. 11 [page 30](#)

	Unit No.	White	Pine
	CTQC1	9013938	1389602
	CTQCW1	9013941	1389604
	CTQCX1	9013944	1399303
	CTQA3	9013934	1389605

Inside Trim Stop - Sill Ref. No. 5 [page 30](#)

	Unit No.	Dimension	White	Pine
	CTC1/CTQC1	21 7/16	1398050	1387602
	CTCW1/CTQCW	25 11/16	1398051	1387604
	CTCX1/CTQCX1	28 13/16	1399332	1399316
	CTCXW1/CTQA3	33 1/4	1398052	1582026
	CTC2	45 3/8	1398053	1387606
	CTCW2	53 7/8	1398054	1387608
	CTCX2	60 1/16	1399331	1399317
	CTC3	69 1/4	1398055	1387610

Inside Trim Stop - Jamb Ref. No. 12 [page 30](#)

	Note: This jamb stop is only used on Quarter Round units on jamb side. 28110	Unit No.	Dimension	White	Pine
		CTQC1	21 5/8	1398066	1389606
		CTQCW1	25 7/8	1398071	1398922
		CTQCX1	29 1/16	1399222	1399313
	CTQA3	33 7/16	1398075	1582024	

Frames

Inside Glass Stop - Arch - Circle Top Ref. No. 3 page 30			
	Unit No.	White	Pine
	CTC1	9013902	1387832
	CTCW1	9013914	1387834
	CTCX1	9013919	1399307
	CTCXW1	9013926	1387844
	CTC2	9013906	1387836
	CTCW2	9013918	1387838
	CTCX2	9013921	1399309
	CTC3	9013910	1387840

Inside Glass Stop - Arch- Quarter Round Ref. No. 10 page 30			
	Unit No.	White	Pine
	CTQC1	9013937	1387842
	CTQCW1	9013943	9013961
	CTQCX1	9013946	1399308
	CTQA3	9013933	1387848

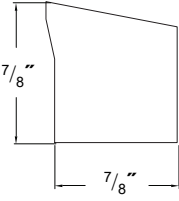
Inside Glass Stop - Sill - Circle Top Ref. No. 6 page 30				
	Unit No.	Dimension	White	Pine
	CTC1	19 ¹⁵ / ₁₆	By description	1387802
	CTCW1	24 ³ / ₁₆	By description	1387804
	CTCX1	27 ⁵ / ₁₆	By description	1399318
	CTCXW1	31 ³ / ₄	By description	1387805
	CTC2	43 ¹³ / ₁₆	By description	1387806
	CTCW2	52 ⁵ / ₁₆	By description	1387808
	CTCX2	58 ⁹ / ₁₆	By description	1399319
	CTC3	67 ¹¹ / ₁₆	By description	1387810

Inside Glass Stop - Sill - Quarter Round Ref. No. 13 page 30				
	Unit No.	Dimension	White	Pine
	CTQC1	19 ¹⁵ / ₁₆	By description	1389710
	CTQCW1	24 ¹ / ₄	By description	1389712
	CTQCX1	27 ³ / ₈	By description	1399320
	CTQA3	31 ¹³ / ₁₆	By description	1389714

400 Series Elliptical, Circle Top™ & QR Windows (1986 to Present)

Perma-Shield® Circle Top and Quarter Round

Frames

Inside Glass Stop - Jamb - Quarter Round					
	Note: This glass stop is only used on Quarter Round units on jamb side.	Unit No.	Dimension	White	Pine
		CTQC1	20 ¹³ / ₁₆	By description	1389706
		CTQCW1	25 ¹⁵ / ₁₆	By description	1389608
		CTQCX1	28 ¹ / ₈	By description	1399314
		CTQA3	32 ⁵ / ₈	By description	1389611

Optional Components

Inside Casing and Plinth Blocks - Perma-Shield Circle Top and Quarter Round

Note:

See [Accessory Guide 109841](#).

Inside Casing - Arch / Colonial with Plinth Blocks Ref. No. 8 [page 30](#)

Unit No.	2 1/4			2 1/2			3 1/2		
	WM366			WM351			WM444		
	Pine	Maple	Oak	Pine	Maple	Oak	Pine	Maple	Oak
CTC1	9074137	1386302	1386402	9074161	1387202	N/A	9074185	1389002	1388902
CTCW1	9074140	1386304	1386404	9074164	1387204	N/A	9074188	1389004	1388904
CTCX1	9074142	1387314	1387320	9074166	1387311	N/A	9074190	1387317	1387323
CTCXW1	9074144	1386305	1386405	9074168	1387205	N/A	9074192	1389005	1388905
CTC2	9074138	1386306	1386406	9074162	1387206	N/A	9074186	1389006	1388906
CTCW2	9074141	1386308	1386408	9074165	1387208	N/A	9074189	1389008	1388908
CTCX2	9074143	1387315	1387321	9074167	1387312	N/A	9074191	1387318	1387324
CTC3	9074139	1386310	1386410	9074163	1387210	N/A	9074187	1389010	1388910
CTQC1	9074146	1389402	1389406	9074170	1389418	N/A	9074194	1389212	1388912
CTQCW1	9074147	1389404	1389408	9074171	1389420	N/A	9074195	1389214	1388914
CTQCX1	9074148	1387316	1387322	9074172	1387313	N/A	9074196	1387319	1387325
CTQA3	9074145	1389405	1389409	9074169	1389421	N/A	9074193	1389216	1388916

Inside Casing - Arch / Ranch with Plinth Blocks

Unit No.	2 1/4			2 1/2		
	WM324			WM315		
	Pine	Maple	Oak	Pine	Maple	Oak
CTC1	9074149	1386502	1386602	9074173	1387302	N/A
CTCW1	9074152	1386504	1386604	9074176	1387304	N/A
CTCX1	9074154	1387329	1387332	9074178	1387326	N/A
CTCXW1	9074156	1386505	1386605	9074180	1387305	N/A
CTC2	9074150	1386506	1386606	9074174	1387306	N/A
CTCW2	9074153	1386508	1386608	9074177	1387308	N/A
CTCX2	9074155	1387330	1387333	9074179	1387327	N/A
CTC3	9074151	1386510	1386610	9074175	1387310	N/A
CTQC1	9074158	1389410	1389414	9074182	1389422	N/A
CTQCW1	9074159	1389412	1389416	9074183	1389424	N/A
CTQCX1	9074160	1387331	1387334	9074184	1387328	N/A
CTQA3	9074157	1389413	1389417	9074181	1389425	N/A

400 Series Elliptical, Circle Top™ & QR Windows (1986 to Present)

Perma-Shield® Circle Top and Quarter Round

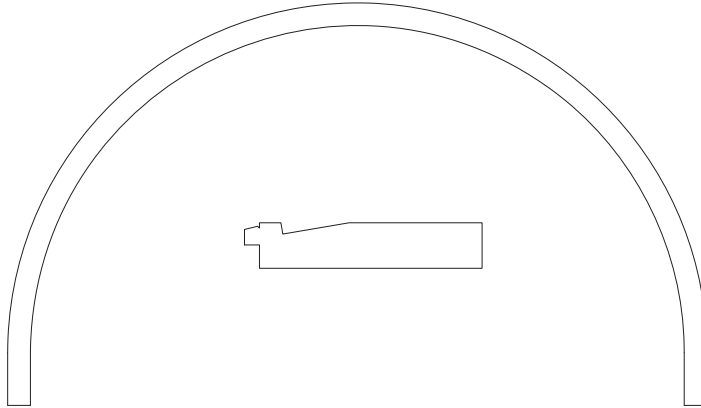
Optional Components

Plinth Block See page 10 .						
Product Line	2 7/8"			3 7/8"		
	Pine	Maple	Oak	Pine	Maple	Oak
Multiple	9074427	1387108	1387104	9074428	1387112	1387110

Optional Components

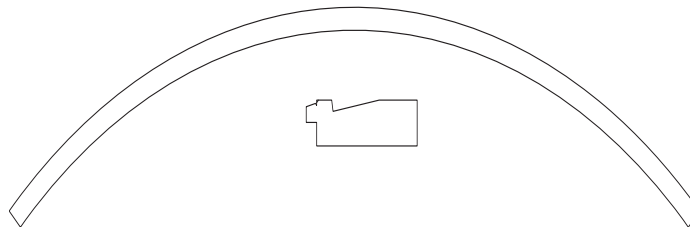
Extension Jamb

Extension Jamb Kit - Circle Top Ref. No. 7 [page 30](#)



Unit No.	White				Natural Wood Interior			
	4 9/16" Wall	5 1/4" Wall	6 9/16" Wall	7 1/8" Wall	4 9/16" Wall	5 1/4" Wall	6 9/16" Wall	7 1/8" Wall
CTC1	1399150	1399159	1399168	1399177	1385702	1385802	1385902	1386002
CTCW1	1399151	1399160	1399169	1399178	1385704	1385804	1385904	1386004
CTCX1	1399266	1399267	1399268	1399269	1399258	1399259	1399260	1399261
CTCXW1	1399152	1399161	1399170	1399179	1385705	1385805	1385905	1386005
CTC2	1399153	1399162	1399171	1399180	1385706	1385806	1385906	1386006
CTCW2	1399154	1399163	1399172	1399181	1385708	1385808	1385908	1386008
CTCX2	1399270	1399271	1399272	1399273	1399262	1399263	1399264	1399265
CTC3	1399155	1399164	1399173	1399182	1385710	1385810	1385910	1386010

Extension Jamb - Quarter Round Ref. No.9 [page 30](#)



Unit No.	White				Natural Wood Interior			
	4 9/16" Wall	5 1/4" Wall	6 9/16" Wall	7 1/8" Wall	4 9/16" Wall	5 1/4" Wall	6 9/16" Wall	7 1/8" Wall
CTQC1	1399156	1399165	1399174	1399183	1386102	1386106	1386110	1386114
CTQCW1	1399157	1399166	1399175	1399184	1386104	1386108	1386112	1386116
CTQCX1	1399254	1399255	1399256	1399257	1399250	1399251	1399252	1399253
CTQA3	1399158	1399167	1399176	1399185	1386120	1386124	1386128	1386132

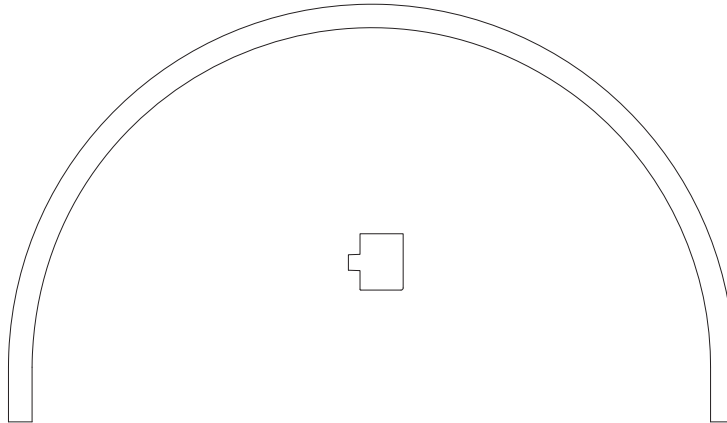
400 Series Elliptical, Circle Top™ & QR Windows (1986 to Present)

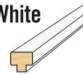
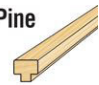
Perma-Shield® Circle Top and Quarter Round

Optional Components

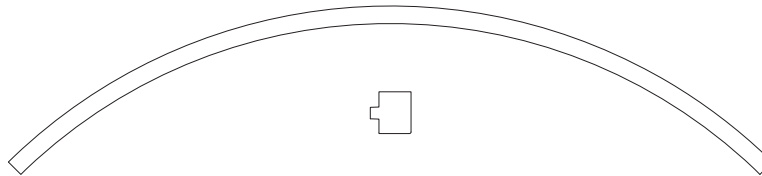
Drywall Return Bead

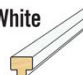
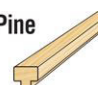
Drywall Return Bead - Curved Wide



Unit No.	White 	Pine 
CTC1	9117471	9117470
CTCW1	9117477	9117476
CTCX1	9117481	9117480
CTCXW1	9117485	9117484
CTC2	9117473	9117472
CTCW2	9117479	9117478
CTCX2	9117483	9117482
CTC3	9117475	9117474

Drywall Return - Curved Wide / Quarter Round



Unit No.	White 	Pine 
CTQC1	9117489	9117488
CTQCW1	9117491	9117490
CTQCX1	9117493	9117492
CTQA3	9117487	9117486

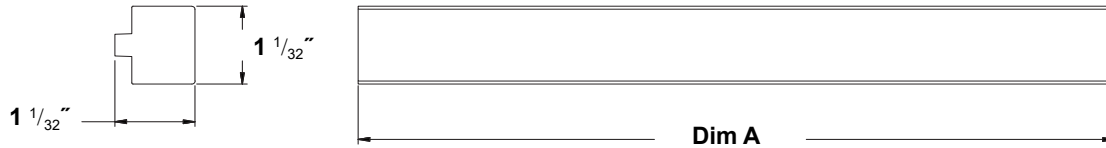
Optional Components

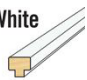
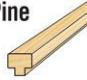







Drywall Return Bead

Drywall Return Bead - Straight / Sill (Wide)

Note:

See return bead sill location marked in red.

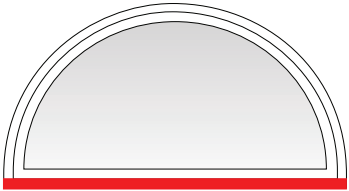


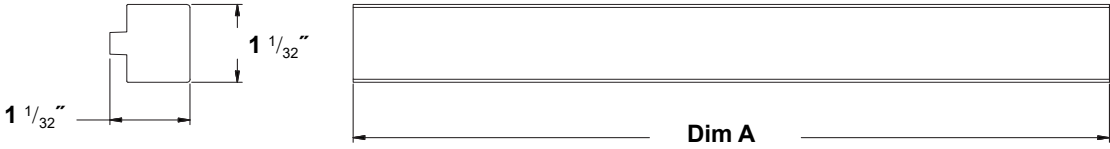
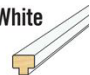
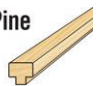



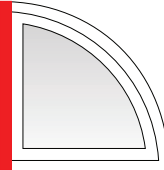
Unit Graphic	Unit No.	Length (Dim A)	White 	Pine 
	C1/QC1	21 ²⁷ / ₃₂	9117551	9117550
	CW1/QCW1	26 ³ / ₃₂	9117557	9117556
	CX1/QCX1	29 ⁷ / ₃₂	9117561	9117560
	CXW1/QA3	33 ²¹ / ₃₂	9117565	9117564
	CTC2	45 ²¹ / ₃₂	9117553	9117552
	CTCW2	54 ⁷ / ₃₂	9117559	9117558
	CTCX2	60 ¹⁵ / ₃₂	9117563	9117562

400 Series Elliptical, Circle Top™ & QR Windows (1986 to Present)

Perma-Shield® Circle Top and Quarter Round

Optional Components

Drywall Return Bead				
	CTC3	69 ¹⁹ / ₃₂	9117555	9117554

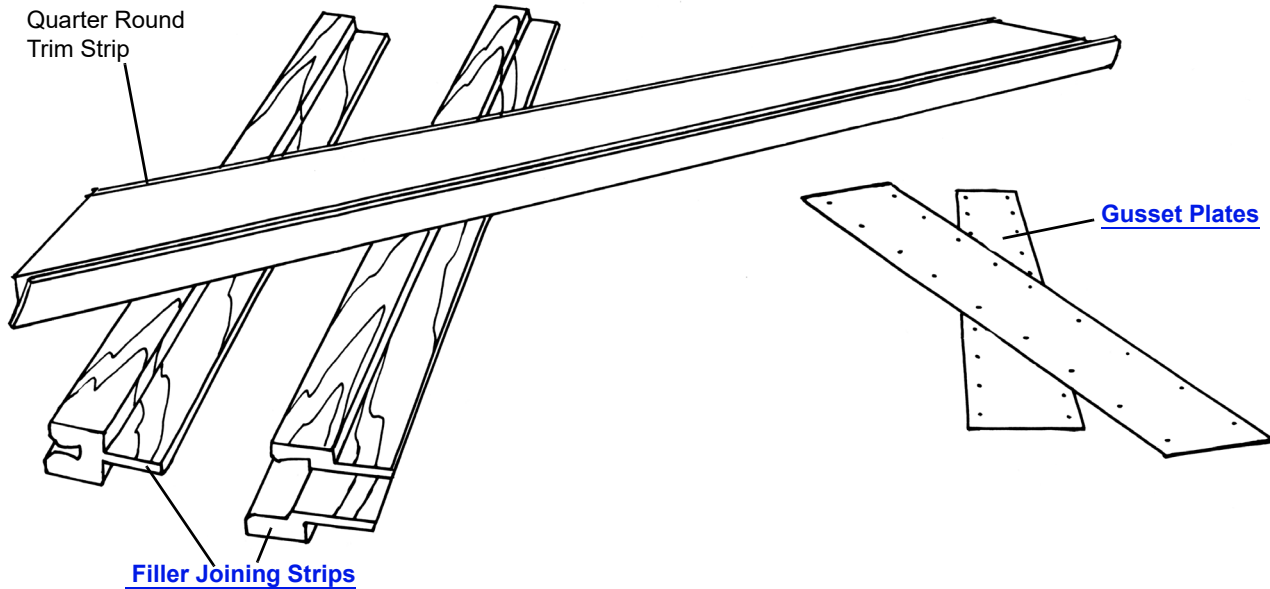
Drywall Return Bead - Straight / Side (Wide)				
<p>Note: Side return bead used on quarter circle units and is approximately 1" (.907) longer than the sill return bead.</p>				
				
Unit Graphic	Unit No.	Length (Dim A)	White 	Pine 
	QC1	22 ³ / ₄	9117569	9117568
	QCW1	27	9117571	9117570
	QCX1	30 ¹ / ₈	9117573	9117572
	QA3	34 ⁹ / ₁₆	9117567	9117566

Joining Components

Transom Joining Kit - Perma-Shield Circle Top and Quarter Round

Note:

See [Joining Guide 0004022](#).



Perma-Shield® Circle Top and Quarter Round Transom Joining

Joining Kit - Transom

Unit No.	White	Terratone	Sandtone	Forest Green	Canvas	Dark Bronze	Black
CTC1	1385502	1479002	0621502	0518033	9033884	9077045	9129436
CTCW1	1385504	1479004	0621504	0518034	9033886	9077047	9129438
CTCX1	1385503	1479003	0607211	0518043	9033885	9077046	9129437
CTC2	1385506	1479006	0621506	0518035	9033888	9077049	9129440
CTCW2	1385508	1479008	0621508	0518036	9033889	9077050	9129441
CTCX2	1385505	1479005	0607213	0518044	9033887	9077048	9129439
CTC3	1385510	1479010	0621510	0518037	9033890	9077051	9129442
CTCXW1	1385512	1479012	0621520	By description	9033891	9077052	9129443

Exterior Trim Strip - Narrow Mullion

Unit No.	White	Terratone	Sandtone	Forest Green	Canvas	Dark Bronze	Black
CTQC1/CTC1	1506820	2106820	0607202	0514102	9033590	9073191	9129222
CTQCW1/CTCW1	1506822	2106822	0638506	0514103	9033588	9073189	9129220
CTC2	1348012	1448012	0607208	0514095	9033593	9073194	9129225
CTCW2	8202222	8202223	8202224	3273370	9033589	9073190	9129221
CTC3	1506824	2106824	0607216	0514104	9033595	9073863	9129251
CTQA3	1348008	1448008	0607204	0514093	9033591	9073192	9129223

400 Series Elliptical, Circle Top™ & QR Windows (1986 to Present)

Perma-Shield® Circle Top and Quarter Round

Joining Components

Inside Casing - Mull									
Note: Not included in kit.									
Unit No.	Length	2"				2 3/8" (30055)			
		Pine	Oak	Maple	White	Pine	Oak	Maple	White
CTQC1/CTC1/(C2)	21 27/32	1389506	1389502		1389525	1349006	1386902	9183674	1354734
CTQCW1/CTCW1	26 3/32	1389508	1389504		1389526	1389520	1389516	9183678	1389528
CTQCX1/CTCX1	29 7/32					1349009	9183685	9183682	1349071
CTQA3/CTCXW1	33 5/32	1389510	1389505		1389527				
	33 21/32					1349008	1389518	9183688	1349070
CTC2	45 23/32	8202303	8202304			1349012	1386906	9183700	1349062
CTCW2	54 7/32	8202309	8202310			1349007	9183711		1354738
CTCX2	60 15/32					1349011	9183721	9183718	1349072
CTC3	69 19/32	8202305	8202306			1349020	1386908	9183732	1349064
Unit No.	Length	2 5/8" (27251)				2 7/8" (40028)			
		Pine	Oak	Maple	White	Pine	Oak	Maple	White
CTQC1/CTC1/(C2)	21 27/32	1506920		9183675	1354722	1507608	9183677	9183676	
CTQCW1/CTCW1	26 3/32	1386804	1387004	9183679	1389529	1507620	9183681	9183680	
CTQCX1/CTCX1	29 7/32		9183686	9183683		1583507	9183687	9183684	
CTQA3/CTCXW1	33 5/32	1349030		9183689	1354723	1349037	9183691	9183690	
	33 21/32								
CTC2	45 23/32	1349032	1387002 1387006	9183701	1349048	1507612	9183703	9183702	
CTCW2	54 7/32	1386808	1387008	9183710	1389530				
CTCX2	60 15/32		9183722	9183719			9183723	9183720	
CTC3	69 19/32	1349036	1387010	9183733	1349052	1507616	9183737	9183736	

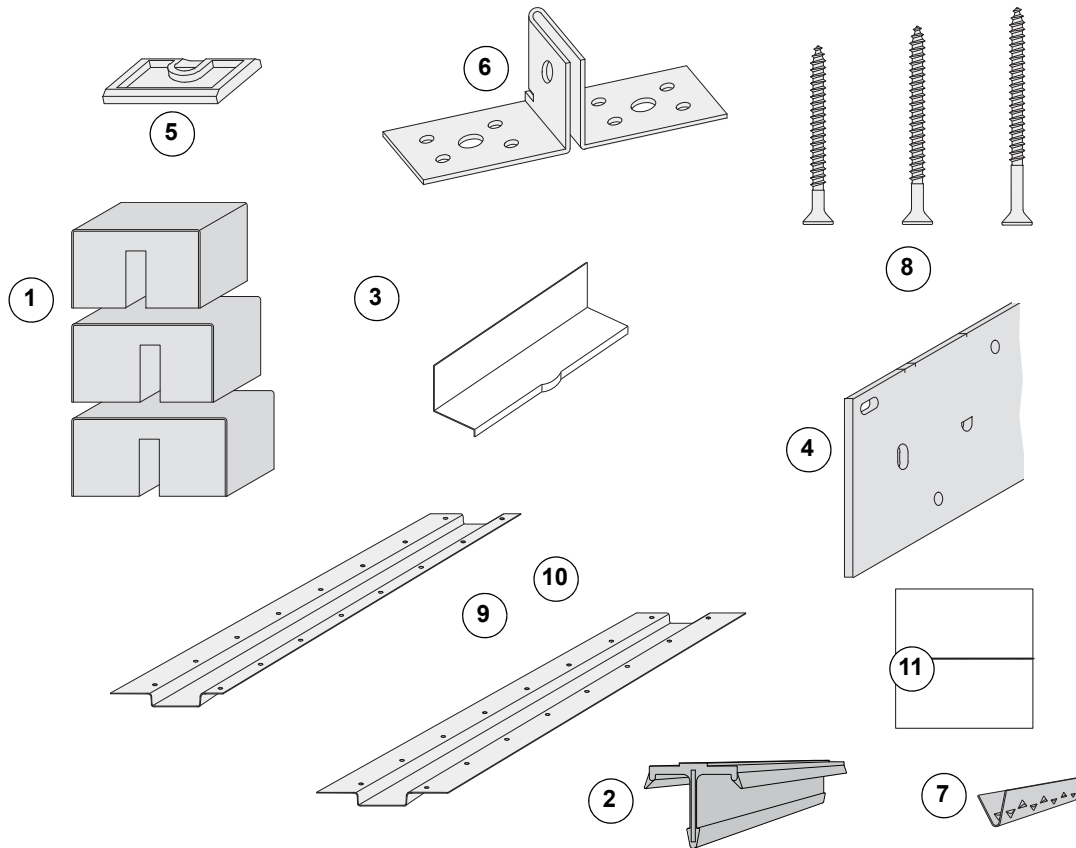
Filler - Transom Joining		
	Unit No.	Order No.
	CTC1	1506420
	CTCW1	1506422
	CTC2	1347012
	CTCW2	1347015
	CTC3	1506424
	CTQC1	1506420
	CTQCW1	1506422
CTCXW1	1347008	
Gusset Plate		
	Unit No.	Order No.
	CTCCTNET/DH	1359510

Joining Components

Reinforced Mull Joining Components - Steel

Notes:

See [Joining Guide 0005172](#)



**Steel Reinforced Narrow Mullion
for Casement, Awning, Specialty, and Circle Top™ Windows**

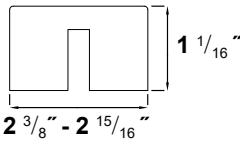
IMPORTANCE OF PROPER SELECTION:

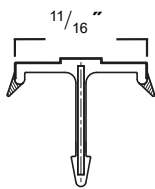
It is essential that you select the proper joining members for Andersen windows. Andersen strongly recommends consultation with an experienced structural engineer, contractor, architect or your local Andersen window supplier prior to the installation of any Andersen product. Installation of Andersen products is the sole responsibility of the architect, building owner, contractor, and/or consumer, and Andersen has no responsibility in this regard. For more information about joining materials, please see the Andersen Residential Product Guide, the Andersen Commercial Catalog, or the Andersen Architectural Detail File.

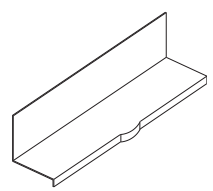
400 Series Elliptical, Circle Top™ & QR Windows (1986 to Present)

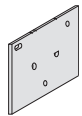
Perma-Shield® Circle Top and Quarter Round

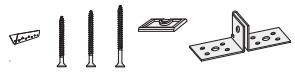
Joining Components

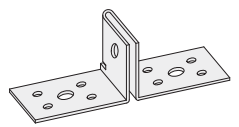
Inside Casing - Pine Ref. No. 1 page 42					
	Species/Color	Length	2 3/8"	2 5/8"	2 15/16"
	Pine	96 in	2340602	2340606	2340614
	White		2340617	2340619	2340621
	Dark Bronze		9183804	9183806	9183841
	Black		9183838	9183840	9183841
	Pine	144 in	2340604	2340608	2340616
	White		2340617	2340619	2340621
	Dark Bronze		9183837	9183839	9183808
	Black		9183803	9183805	9183842

Exterior Trim Strip - Reinforced Mullion Ref. No. 2 page 42								
Note: See Sealant .								
	Length	White	Terra-tone®	Sandtone	Forest Green	Canvas	Dark Bronze	Black
	96 in	2340504	2340508	2340512	2340528	9043184	9074013	9129253
	150 in	2340502	2340506	2340510	2340526	9043183	9074012	9129252

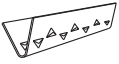
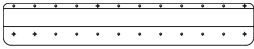

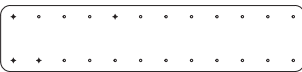

Exterior Narrow Mull Flashing Ref. No. 3 page 42								
	Length	White	Terra-tone®	Sandtone	Forest Green	Canvas	Dark Bronze	Black
	6 in	1356008	1456008	0608402	0514129	9033568	9073185	9127237

Joining Strip - Steel Reinforced Mullion Ref. No. 4 page 42				
				
		Unit Size	Order No.	
		96 1/4 in	2340406	
		114 in	2340408	
	150 in	2340410		

End Bracket Kit - Steel Reinforced Mullion / PSC/A/CT/FF Ref. No. 5 to 8 page 42		
	Includes: Instruction Sheet, Trim Strip Clips, Screw Packages RMA1, RMB1, RMC1, Location Blocks and 2 - End brackets.	Order No. 2340414

End Bracket - Steel Reinforced Mullion Ref. No. 6 page 42	
	Order No. 2340424

Joining Components

Clip - Trim Strip / Reinforced Mullion Ref. No. 7 page 42		
Note: 96" trim strip uses 14 clips. 150" trim strip uses 21 clips.		
		Order No. 2340423
Gusset Plate Kit - Steel Reinforced Mullion / ET Ref. No. 11, 5, and 7 page 42		
	Includes: Gussets, Location locks, and Screw packages: RMA-2, RMB-2, RMC-2.	Order No. 2340416
Gusset Plate - Metal / PS/FF Ref. No. 9 page 42		
		Order No. 2250208
Gusset Plate - Head and Sill Ref. No. 10 page 42		
		Order No. 1359508
Gusset Plate - CTC/CTN/ET/DH		
		Order No. 1359510
Flange Gasket - Mull Ref. No 11 page 42		
	Note: Used over flange.	Order No. 9122508

400 Series Elliptical, Circle Top™ & QR Windows (1986 to Present)

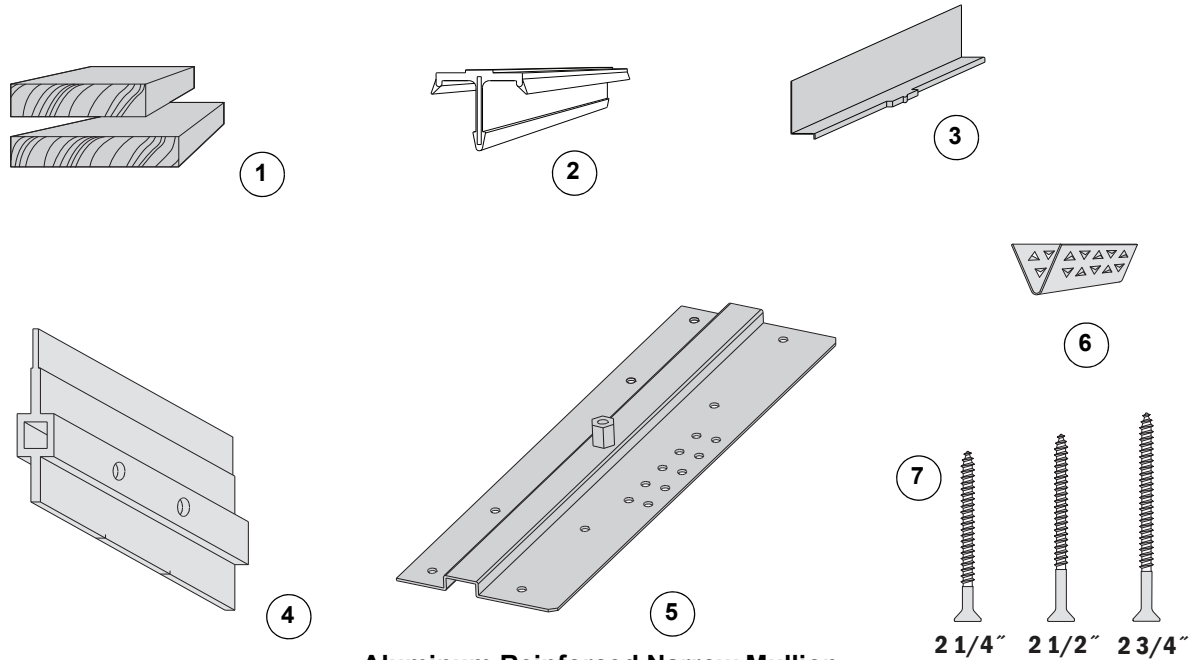
Perma-Shield® Circle Top and Quarter Round

Joining Components

Reinforced Mull Joining Components - Aluminum

Notes:

See [Joining Guide 0005165](#)



**Aluminum Reinforced Narrow Mullion
for Casement, Awning, Specialty, and Circle Top™ Windows**

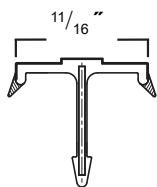
Inside Casing - Aluminum Reinforced Mullion Ref. No. 1

	Length	2 3/8"	2 5/8"	2 7/8"
		Casement to Casement	Casement to Flexiframe	Flexiframe to Flexiframe
96 in		1349022	1386812	1507622
144 in		1349024	1386814	1507624

Exterior Trim Strip - Reinforced Mullion Ref. No. 2

Note:

See [Sealant](#).

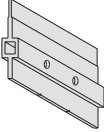


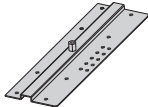
Unit Size	White	Terra-tone®	Sandtone	Forest Green	Canvas	Dark Bronze	Black
96 in	2340504	2340508	2340512	2340528	9043184	9074013	9129253
150 in	2340502	2340506	2340510	2340526	9043183	9074012	9129252

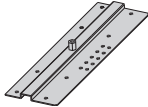
Exterior Flashing Ref. No. 3


Length	White	Terra-tone®	Sandtone	Forest Green	Canvas	Dark Bronze	Black
6 in	1356008	1456008	0608402	0514129	9033568	9073185	9127237

Joining Components

Joining Strip - Reinforced Mullion Ref. No. 4			
		Unit Size	Order No.
		72 3/32 in	2340402
		92 in	2340404

End Plate Kit - Reinforced Mullion / PSC/A/CT/FF Ref. No. 5, 6, and 7 page 45		
	Includes: End plates, trim strip clip and screws	Order No.
		2340412

End Plate - Reinforced Mullion Ref. No. 5 page 45		
		Order No.
		2340422

Trim Clip - Reinforced Mullion Ref. No. 6 page 45		
Note: 96" trim strip uses 14 clips. 150" trim strip uses 21 clips.		
		Order No.
		2340423

400 Series Elliptical, Circle Top™ & QR Windows (1986 to Present)

Perma-Shield® Circle Top and Quarter Round

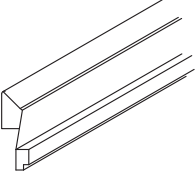
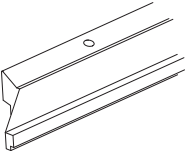
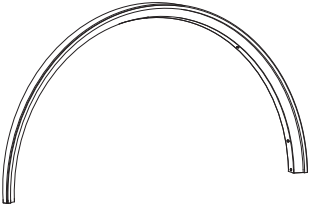
Art Glass Components

Art Glass

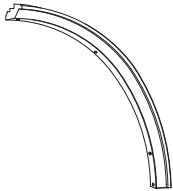
Note:

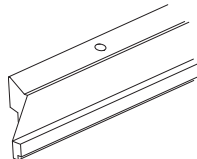
Information about ordering replacement art glass panels can be found in the Andersen Art Glass section of the catalog.

Art Glass Stops

Trim Stop - Art Glass / Sill / CTC Units			
	Unit No.	Length	Order No.
	AG CTC1	19 ²⁷ / ₃₂	2370134
	AG CTCW1	24 ³ / ₃₂	2370136
	AG CTCX1	27 ⁷ / ₃₂	2370537
	AG CTCXW1	31 ²¹ / ₃₂	2370137
	AG CTC2	43 ²³ / ₃₂	2370138
	AG CTCW2	52 ⁷ / ₃₂	2370140
	AG CTCX2	58 ¹⁵ / ₃₂	2370538
	AG CTC3	67 ⁷ / ₃₂	2370142
Trim Stop - Art Glass / Sill / CTQ Units			
	Unit No.	Length	Order No.
	AG CTQC1	19 ²⁷ / ₃₂	2370158
	AG CTQCW1	24 ³ / ₃₂	2370160
	AG CTQCX1	27 ⁷ / ₃₂	2370539
	AG CTQA3	31 ²¹ / ₃₂	2370162
Inside Trim Stop - Art Glass / CTC Units			
	Unit No.	Length	Order No.
	AG CTC1	20 ¹¹ / ₃₂	2370204
	AG CTCW1	24 ¹⁹ / ₃₂	2370206
	AG CTCX1	27 ²³ / ₃₂	2370533
	AG CTCXW1	32 ⁵ / ₃₂	2370207
	AG CTC2	44 ⁷ / ₃₂	2370208
	AG CTCW2	52 ²³ / ₃₂	2370210
	AG CTCX2	58 ³¹ / ₃₂	2370534
	AG CTC3	68 ³ / ₃₂	2370212

Art Glass Components

Inside Trim Stop - CTQ Units			
	Unit No.	Radius	Order No.
	AG CTQC1	21 ⁹ / ₃₂	2370242
	AG CTQCW1	25 ¹⁷ / ₃₂	2370244
	AG CTQCX1	28 ²¹ / ₃₂	2370535
	AG CTQA3	33 ³ / ₃₂	2370246

Trim Stop - Side / CTQ Units			
	Unit No.	Length	Order No.
	AG CTQC1	20 ³ / ₃₂	2370164
	AG CTQCW1	24 ¹¹ / ₃₂	2370166
	AG CTQCX1	27 ¹⁵ / ₃₂	2370536
	AG CTQA3	31 ⁴³ / ₆₄	2370168

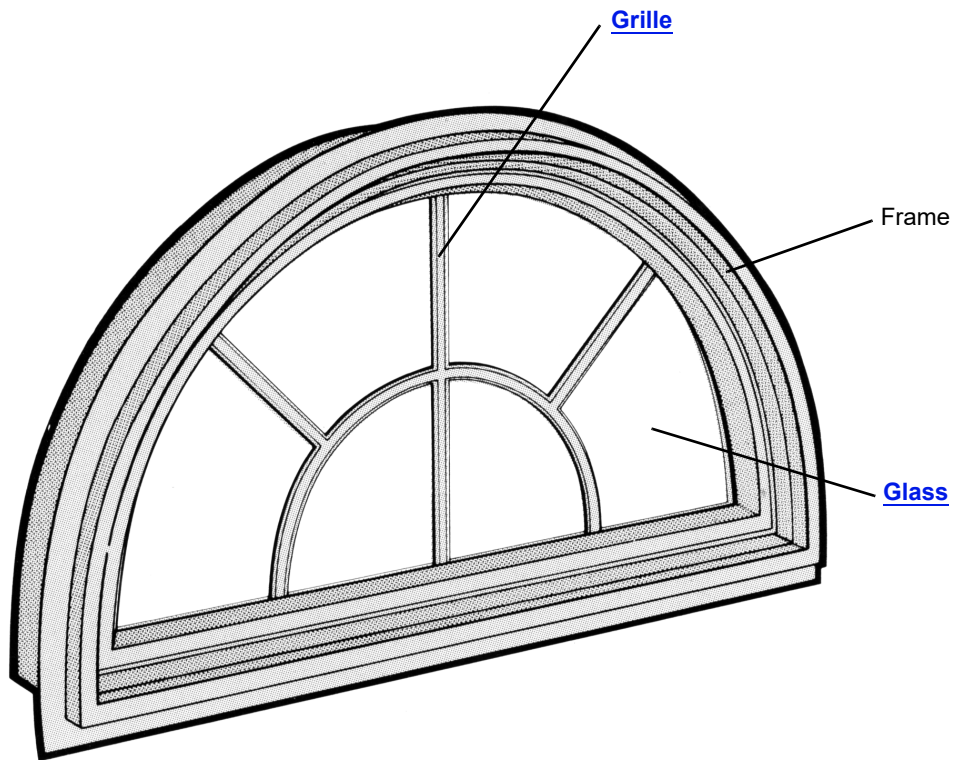
Art Glass Hardware

Bracket Package - Standard / Top and Bottom		
	Includes: Shims and screws	Order No. 2370020
Bracket with Screws - Standard / Top		
		Order No. 2370024
Screw Package - Standard		
	Description Brass oval head AG 1x5 STD	Order No. 2370026

Double-Hung Circle Top

Parts Illustration

Parts Illustrations - Double-Hung Circle Top



Manufactured 1988 to Present

Double-Hung Circle Top™ Unit Parts

Unit viewed from exterior.

Unit Sizes

400 Series Product Label

Note:

Some CT/QR Windows will have an identification label or glass etching containing a unique Product ID. The Product ID on CT/QR Windows will be located at the bottom of the window frame or etched into the glass. See [Service Guide 9051877](#). The Product ID may be up to 14 digits long (excluding hyphens), depending on the age of the unit. Replacement parts will also get their own unique Product ID. When ordering replacement parts, providing the Product ID ensures that replacement parts match the specifications.

Unit Size Chart - Double-Hung Circle Top

Note:

Unit Dimension refers to overall outside-to-outside frame. Unobstructed Glass refers to visible glass dimensions. Numbers in parentheses are metric measurements.

Size Table—Circle Top™ Window—Double-Hung Sizes

Unit Dimension	2'-1 5/8"	2'-5 5/8"	2'-9 5/8"	3'-1 5/8"	3'-5 5/8"
Minimum Rough Opening	2'-2 1/8"	2'-6 1/8"	2'-10 1/8"	3'-2 1/8"	3'-6 1/8"
Unobstructed Glass	20 3/8"	24 3/8"	28 3/8"	32 3/8"	36 3/8"
	(651)	(752)	(854)	(956)	(1057)
	(664)	(765)	(867)	(968)	(1070)
	(518)	(619)	(721)	(822)	(924)

Unit Dimension	5'-7 5/16"	6'-3 5/16"
Minimum Rough Opening	5'-7 7/8"	6'-3 7/8"
Unobstructed Glass	62 1/16"	70 1/16"
	(1710)	(1913)
	(1724)	(1927)
	(1576)	(1780)

Unit Dimension	3'-0"	3'-4"
Minimum Rough Opening	3'-0 1/2"	3'-4 1/2"
Unobstructed Glass	31"	34 1/4"
	(914)	(1016)
	(927)	(1029)
	(787)	(870)

Unit Dimension	1'-3 3/16"	1'-5 3/16"	1'-7 3/16"	1'-9 3/16"	1'-11 3/16"
Minimum Rough Opening	1'-3 3/4"	1'-5 3/4"	1'-7 3/4"	1'-9 3/4"	1'-11 3/4"
Unobstructed Glass	10 3/16"	11 3/16"	12 3/16"	14 3/16"	16 3/16"
	(386)	(437)	(487)	(538)	(589)
	(400)	(451)	(502)	(552)	(603)
	(259)	(310)	(360)	(411)	(462)

Unit Dimension	1'-3 3/16"	1'-5 3/16"	1'-7 3/16"	1'-9 3/16"	1'-11 3/16"
Minimum Rough Opening	1'-3 3/4"	1'-5 3/4"	1'-7 3/4"	1'-9 3/4"	1'-11 3/4"
Unobstructed Glass	10 3/16"	11 3/16"	12 3/16"	14 3/16"	16 3/16"
	(386)	(437)	(487)	(538)	(589)
	(400)	(451)	(502)	(552)	(603)
	(259)	(310)	(360)	(411)	(462)

Unit Dimension	3'-0"	3'-4"
Minimum Rough Opening	3'-0 1/2"	3'-4 1/2"
Unobstructed Glass	31"	34 1/4"
	(914)	(1016)
	(927)	(1029)
	(787)	(870)

Double-Hung Circle Top™ Unit Sizes

400 Series Elliptical, Circle Top™ & QR Windows (1986 to Present)

Double-Hung Circle Top

Product History

Product History

- 2003** Stormwatch™ Protection (Coastal Product) with design pressure upgrades, glass options, and structural enhancements introduced for Circle Top Windows.
- 1986** Double-Hung Circle Top Windows introduced.

Glass

Glass Size Table - Double-Hung Circle Top		
Glass Size Table		
Unit No.	Unobstructed Glass (w x h)	Actual Glass (w x h)
CTN20	20 ³ / ₈ × 10 ³ / ₁₆	21 ¹⁹ / ₃₂ × 11 ¹³ / ₃₂
CTN24	24 ³ / ₈ × 12 ³ / ₁₆	25 ¹⁹ / ₃₂ × 13 ¹³ / ₃₂
CTN28	28 ³ / ₈ × 14 ³ / ₁₆	29 ¹⁹ / ₃₂ × 15 ¹³ / ₃₂
CTN30	32 ³ / ₈ × 16 ³ / ₁₆	33 ¹⁹ / ₃₂ × 17 ¹³ / ₃₂
CTN34	36 ³ / ₈ × 18 ³ / ₁₆	37 ¹⁹ / ₃₂ × 19 ¹³ / ₃₂
CTN28-2	62 ¹ / ₁₆ × 31	63 ⁹ / ₃₂ × 32 ⁷ / ₃₂
CTN30-2	70 ¹ / ₁₆ × 34 ¹ / ₄	71 ⁹ / ₃₂ × 35 ¹⁵ / ₃₂

Glass - Double-Hung Circle Top			
Note: Stops must be ordered separately.			
See Service Guide 0004175 .			
Glass - High-Performance™ Low-E4® See illustration, page 49			
Unit No.	Order No.	Unit No.	Order No.
CTN20	1658102	CTN30	1658108
CTN24	1658104	CTN30-2	1658118
CTN28	1658106	CTN34	1658110
CTN28-2	1658116		

Glass - High-Performance™ Low-E4® Sun 3			
Unit No.	Order No.	Unit No.	Order No.
CTN20	1658232	CTN30	1658238
CTN24	1658234	CTN30-2	1658248
CTN28	1658236	CTN34	1658240
CTN28-2	1658246		

Glass - High-Performance™ Sun II	
Note: Available by Description.	

Glass - High-Performance™ Low-E4® Finelight™ / Sunburst Pattern / White			
Note: Finelight™ color is white.			
Unit No.	Order No.	Unit No.	Order No.
CTN20	1658132	CTN30	1658138
CTN24	1658134	CTN30-2	1658144
CTN28	1658136	CTN34	1658140
CTN28-2	1658142		

400 Series Elliptical, Circle Top™ & QR Windows (1986 to Present)

Double-Hung Circle Top

Glass

Glass - High-Performance™ Low-E4® Finelight™ / Renaissance Pattern with Radius / White			
Note: Finelight™ color is white.			
Unit No.	White	Unit No.	White
CTN20	1658830	CTN30	1658833
CTN24	1658831	CTN30-2	1658836
CTN28	1658832	CTN34	1658834
CTN28-2	1658835		

Glass - Dual Pane			
Unit No.	Order No.	Unit No.	Order No.
CTN20	By description	CTN30	1658109
CTN24	By description	CTN30-2	By description
CTN28	1658107	CTN34	By description
CTN28-2	By description		

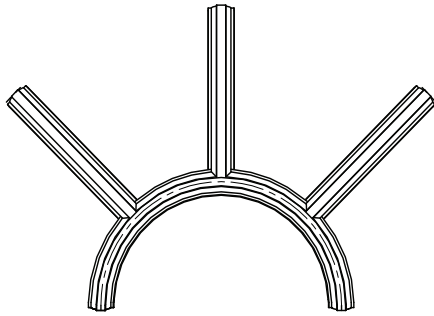
Glass - Dual Pane Finelight™ / White			
Note: Finelight™ color is white.			
Unit No.	Order No.	Unit No.	Order No.
CTN20	By description	CTN30	1658009
CTN24	By description	CTN30-2	By description
CTN28	1658007	CTN34	By description
CTN28-2	By description		

Glass - Dual Pane Finelight™ Radius / White			
Note: Finelight™ color is white.			
Unit No.	Order No.	Unit No.	Order No.
CTN20	1658840	CTN30	1658843
CTN24	1658841	CTN30-2	1658846
CTN28	1658842	CTN34	1658844
CTN28-2	1658845		

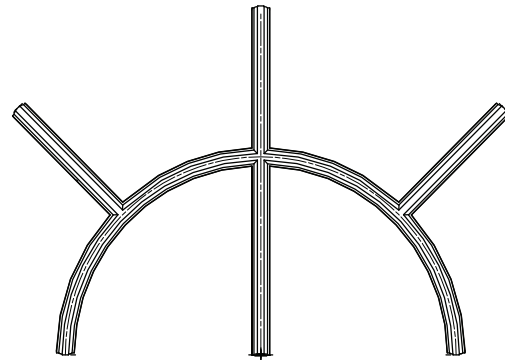
Grilles

Interior Grilles - Double-Hung Circle Top

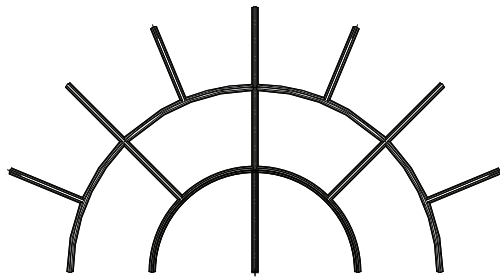
Note:
See [Accessory Guide 0005285](#). Grilles include fasteners.



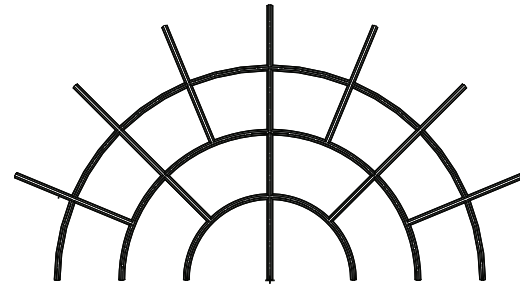
CTN 20, 24, 28



CTN 30, 34



CTN 28-2



CTN 30-2

Interior Grille - Renaissance / 3/4" Natural Wood Interior

Size	Length	Color/Species						
		Exterior						
		White	Terratone	Sandtone	Forest Green	Canvas	Dark Bronze	Black
		Maple Interior						
CTN20	10 ⁹ / ₃₂	1656285	2751264	1139077	0331905	9076682	9076914	9128438
CTN24	12 ⁹ / ₃₂	1656284	2751263	1139076	0331904	9076681	9076913	9128437
CTN28	14 ⁹ / ₃₂	1656283	2751262	1139075	0331903	9076680	9076912	9128436
CTN28-2	31 ¹ / ₈	1656287	2751265	1139079	0331907	9076684	9076916	9128440
CTN30	16 ⁹ / ₃₂	1656281	2751260	1139073	0331901	9076678	9076910	9028434
CTN30-2	35 ¹ / ₈	1656286	2751266	1139078	0331906	9076683	9076915	9128439
CTN34	18 ⁹ / ₃₂	1656282	2751261	1139074	0331902	9076679	9076911	9128435

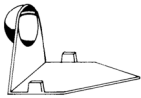
400 Series Elliptical, Circle Top™ & QR Windows (1986 to Present)

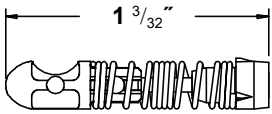
Double-Hung Circle Top

Grilles

Interior Grille - Renaissance / 3/4"								
Size	Length	Color/Finish						
		Exterior						
		White	Terratone	Sandtone	Forest Green	Canvas	Dark Bronze	Black
		Interior						
		White	Terratone	Sandtone	Forest Green	Canvas	Dark Bronze	Black
CTN20	10 ⁹ / ₃₂	1656295	2751274	1138207	0331925	9076675	9076907	9128431
CTN24	12 ⁹ / ₃₂	1656294	2751273	1138206	0331924	9076674	9076906	9128430
CTN28	14 ⁹ / ₃₂	1656293	2751272	1138205	0331923	9076673	9076905	9128429
CTN 28-2	31 ¹ / ₈	1656297	2751275	1138209	0331927	9076677	9076909	9128433
CTN30	16 ⁹ / ₃₂	1656291	2751270	1138203	0331921	9076671	9076903	9128427
CTN30-2	35 ¹ / ₈	1656296	2751276	1138208	0331926	9076676	9076908	9128432
CTN34	18 ⁹ / ₃₂	1656292	2751271	1138204	0331922	9076672	9076904	9128428

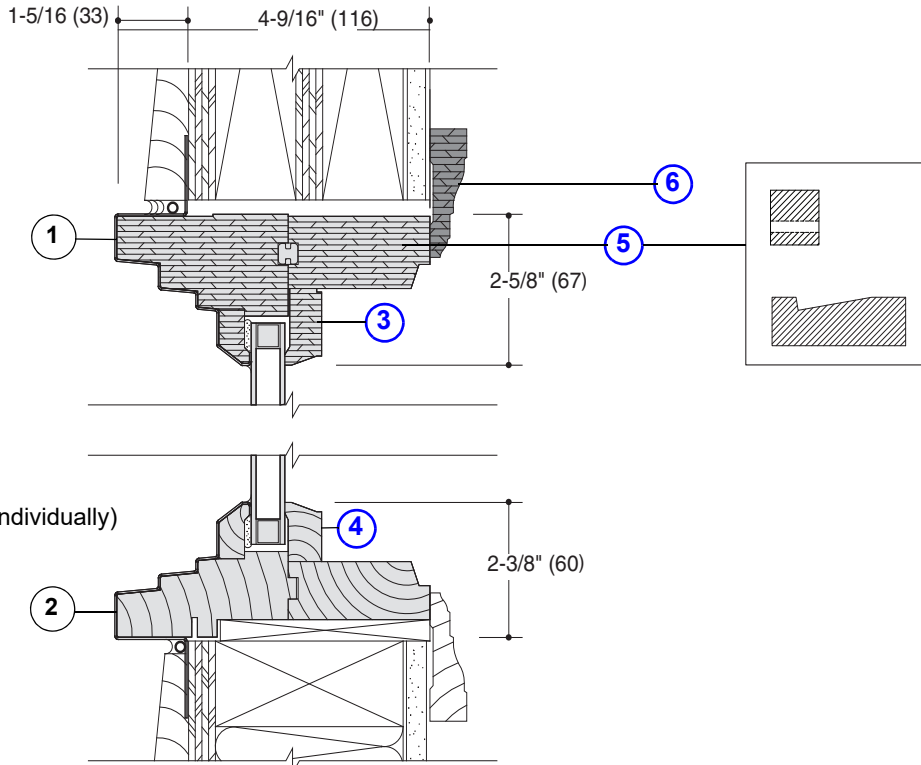
Interior Grille - Wide Profile / Wood
<p>Note: Available by description in Natural Wood Interior with White, Terratone, Sandtone, Forest Green, Canvas, Dark Bronze or Black exterior.</p>

Interior Grille Parts		
Interior Grille Fastener - Wood / Standard and Non-Standard		
	<p>Note: Used on current products with a wood stop next to glass. May be referred to as barbed fastener. Used on all hubs other than CTN20, CTN24 and CTN28.</p>	Order No.
		1974314

Interior Grille Fastener - Plunger		
	<p>Note: Used on older vintage products with grommets in stops. Used on all spokes and CTN20, CTN24 and CTN28 hubs.</p>	Order No.
		1630038

Frames

Frame Assembly - Double-Hung Circle Top



- 1. Laminated Frame
- 2. Sill
- 3. Arch Glass Stop
- 4. Inside Glass Stop
- 5. Extension Jamb (shown individually)
- 6. Interior Casing

Double-Hung Circle Top™ Frame Assembly

Stops

Note:
Current version of glass stop shown replaces all previous versions.

Inside Glass Stop - Arch (2012 - present) Ref. No.3

	Unit No.	White	Maple	Unit No.	White	Maple
	CTN20	9013927	1657502	CTN34	9013931	1657510
	CTN24	9013928	1657504	CTN28-2	9013929	1657516
	CTN28	1657507	1657506	CTN30-2	9013930	1657518
	CTN30	1657509	1657508			

Inside Glass Stop - Sill (2012 - present) Ref. No.4

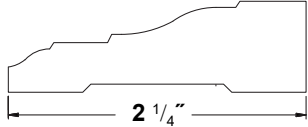
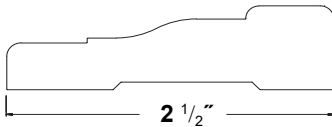
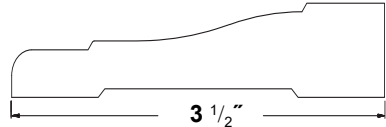
	Unit No.	White	Maple	Unit No.	White	Maple
	CTN20	By description	1657620	CTN34	By description	1657628
	CTN24	By description	1657622	CTN28-2	By description	1657630
	CTN28	By description	1657624	CTN30-2	By description	1657632
	CTN30	By description	1657626			

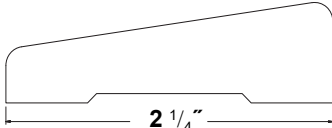
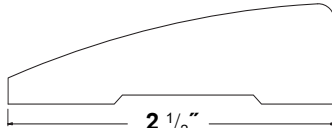
400 Series Elliptical, Circle Top™ & QR Windows (1986 to Present)

Double-Hung Circle Top

Optional Components

Inside Casing and Plinth Blocks - Double-Hung Circle Top

Inside Casing - Arch / Colonial with Plinth Blocks Ref. No. 6 page 56									
	$2 \frac{1}{4}$			$2 \frac{1}{2}$			$3 \frac{1}{2}$		
									
	WM366			WM351			WM444		
Unit No.	Pine	Maple	Oak	Pine	Maple	Oak	Pine	Maple	Oak
CTN20	9074197	1656702	1656802	9074211	1657302	N/A	9074225	1656002	1656102
CTN24	9074198	1656704	1656804	9074212	1657304	N/A	9074226	1656004	1656104
CTN28	9074199	1656706	1656806	9074213	1657306	N/A	9074227	1656006	1656106
CTN28-2	9074202	1656716	1656816	9074216	1657316	N/A	9074230	1656012	1656112
CTN30	9074200	1656708	1656808	9074214	1657308	N/A	9074228	1656008	1656108
CTN30-2	9074203	1656718	1656818	9074217	1657318	N/A	9074231	1656014	1656114
CTN34	9074201	1656710	1656810	9074215	1657310	N/A	9074229	1656010	1656110

Inside Casing - Arch / Ranch with Plinth Blocks						
	$2 \frac{1}{4}$			$2 \frac{1}{2}$		
						
	WM324			WM315		
Unit No.	Pine	Maple	Oak	Pine	Maple	Oak
CTN20	9074204	1656902	1657002	9074218	1657402	N/A
CTN24	9074205	1656904	1657004	9074219	1657404	N/A
CTN28	9074206	1656906	1657006	9074220	1657406	N/A
CTN28-2	9074209	1656916	1657016	9074223	1657416	N/A
CTN30	9074207	1656908	1657008	9074221	1657408	N/A
CTN30-2	9074210	1656918	1657018	9074224	1657418	N/A
CTN34	9074208	1656910	1657010	9074222	1657410	N/A

Plinth Block See page 10 .						
	$2 \frac{7}{8}$ "			$3 \frac{7}{8}$ "		
	Pine	Maple	Oak	Pine	Maple	Oak
Multiple	9074427	1387108	1387104	9074428	1387112	1387110

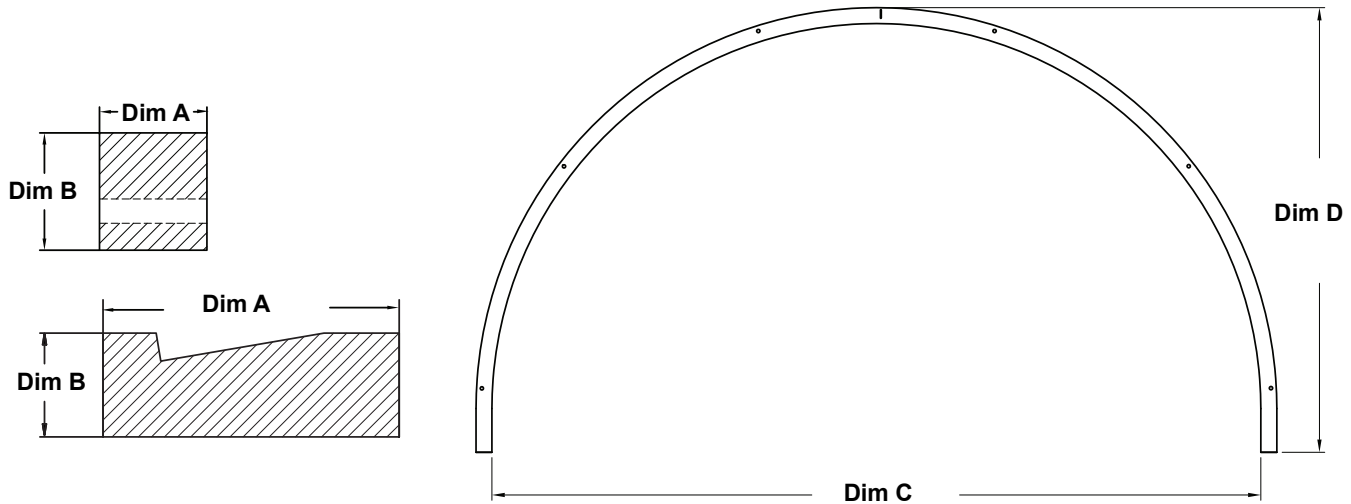
Optional Components

Extension Jamb

Note:

As of April 1995, 7 9/16" width was replaced with 7 1/8". Arch extension jamb only. Lineal sill extension jamb is not supplied by Andersen

Extension Jamb - Double-Hung Circle Top Ref. No. 5 [page 56](#)



Size	Dim A	Dim B
5 1/4	1 1/16"	45/64"
6 9/16	2"	45/64"
7 1/8	2 9/16"	45/64"

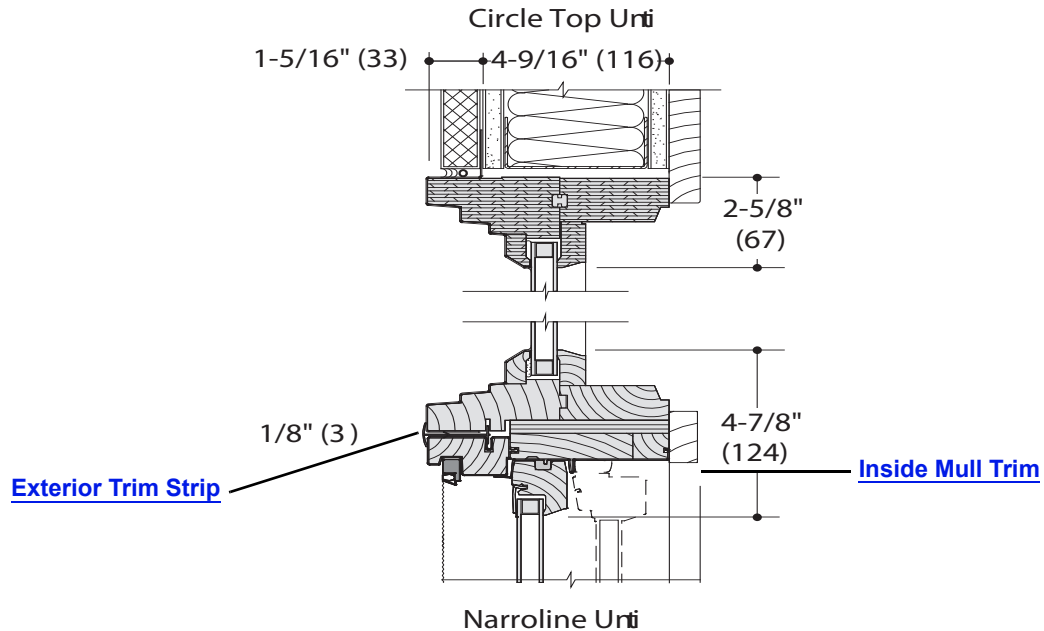
Unit No.	Dim C	Dim D	White			Natural Wood Interior		
			5 1/4" Wall	6 9/16" Wall	7 1/8" Wall	5 1/4" Wall	6 9/16" Wall	7 1/8" Wall
CTN20	24 1/8	14 7/8	1656630	1656637	1656644	1656502	1656602	1656402
CTN24	28 1/8	16 7/8	1656631	1656638	1656645	1656504	1656604	1656404
CTN28	32 1/8	18 7/8	1656632	1656639	1656646	1656506	1656606	1656406
CTN28-2	65 13/16	35 11/16	1656635	1656642	1656649	1656516	1656616	1656416
CTN30	36 1/8	20 7/8	1656633	1656640	1656647	1656508	1656608	1656408
CTN30-2	73 13/16	39 11/16	1656636	1656643	1656650	1656518	1656618	1656418
CTN34	40 1/8	22 1/8	1656634	1656641	1656648	1656510	1656610	1656410

400 Series Elliptical, Circle Top™ & QR Windows (1986 to Present)

Double-Hung Circle Top

Joining Components

Transom Joining Kit - Double-Hung Circle Top



Double-Hung Circle Top™ Transom Joining

Joining Kit - CTN / TWT / FF over TW

Unit No.	White	Terratone	Sandtone	Forest Green	Canvas	Dark Bronze	Black
TWT18	1611618	2751320	1141341	0312832	9076763	9076995	9129386
TWT/CTN20	1656302	2751302	1141324	0312812	9076756	9076988	9129379
TWT/CTN24	1656304	2751304	1141326	0312814	9076757	9076989	9129380
TWT/CTN28	1656306	2751306	1141328	0312816	9076758	9076990	9129381
TWT56/CTN28-2	1656316	2751316	1141334	0312826	9076761	9076993	9129384
CTN30	1656308	2751308	1141330	0312818	9076759	9076991	9129382
TWT62/CTN30-2	1656318	2751318	1141336	0312828	9076762	9076994	9129385
TWT/CTN34	1656310	2751310	1141332	0312820	9076760	9076992	9129383
TWT38	1611638	2751323	1141344	0312835	9076766	9076998	9129389

Gusset Plate

Order No.
1359510

Joining Components

Inside Casing - Mull See illustration, page 59				
	Unit No.	Pine	Oak	White
	CTN20	1657102	1657202	1657119
	CTN24	1657104	1657204	1657120
	CTN28	1657106	1657206	1657121
	CTN28-2	1657116	1657216	1657124
	CTN30	1657108	1657208	1657122
	CTN30-2	1657118	1657218	1657125
	CTN34	1657110	1657210	1657123

Exterior Trim Strip - Horizontal See illustration, page 59				
		Color	Length	Order No.
		White	150 inch	2340520
		Terratone	150 inch	2340522
		Sandtone	150 inch	2340524
		Forest Green	150 inch	2340525

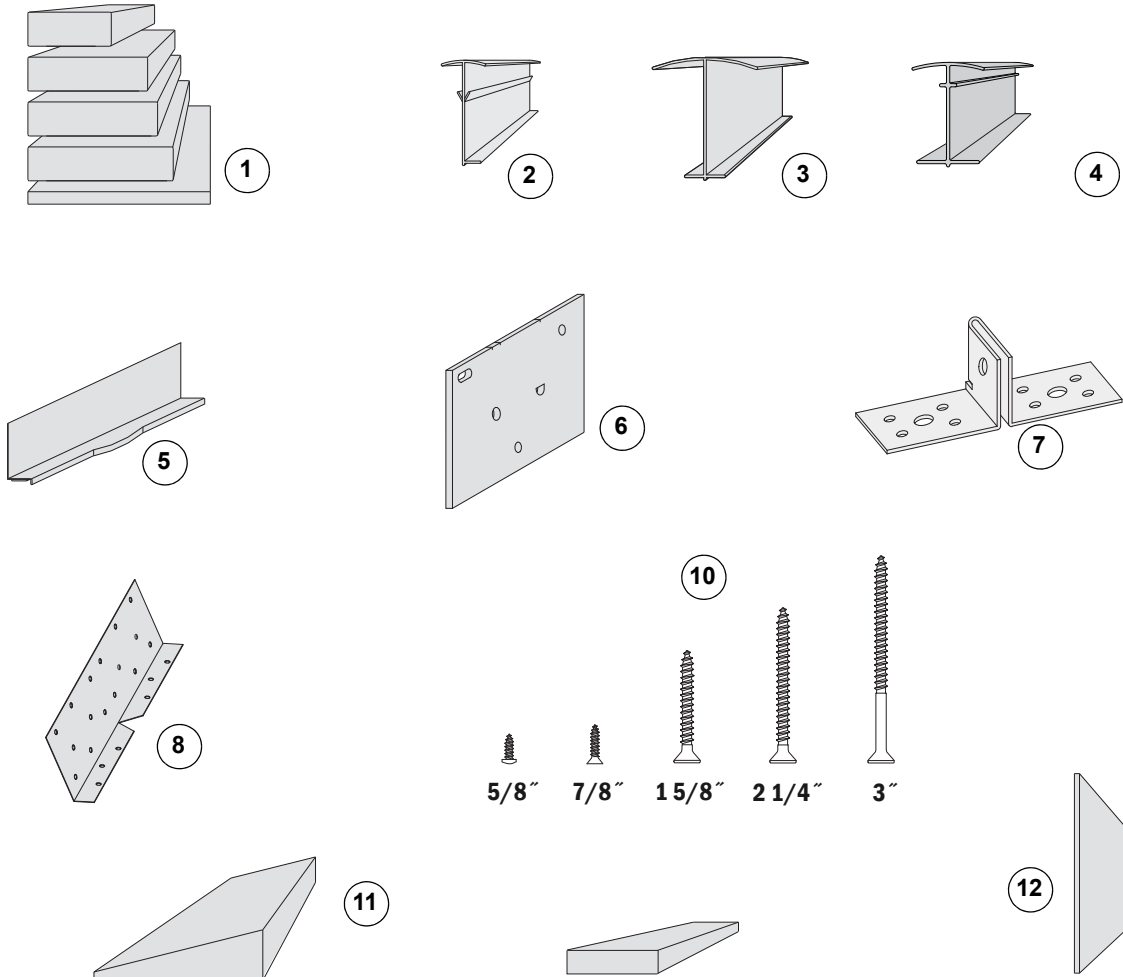
Jamb - Top Head Member			
Note: AB head filler piece 3/8" x 3 13/16". Used with joining kit referenced in horizontal Joining Guide 0004378 .	Unit No.	Length	Order No.
	TW18	21 7/16	1630030
	TW20	25 7/16	1630031
	TW24	29 7/16	1630032
	TW28	33 7/16	1630033
	TW30	37 7/16	1630034
	TW34	41 7/16	1630035
	TW38	45 7/16	1630036

Joining Components

Reinforced Mull Joining Components - Steel

Note:

See [Joining Guide 0005184](#).



Steel Reinforced Narrow Mullion
for Elliptical & Double Hung Circle Top Windows

IMPORTANCE OF PROPER SELECTION:

It is essential that you select the proper joining members for Andersen windows. Andersen strongly recommends consultation with an experienced structural engineer, contractor, architect or your local Andersen window supplier prior to the installation of any Andersen product. Installation of Andersen products is the sole responsibility of the architect, building owner, contractor, and/or consumer, and Andersen has no responsibility in this regard. For more information about joining materials, please see the Andersen Residential Product Guide, the Andersen Commercial Catalog, or the Andersen Architectural Detail File.

Joining Components

Inside Casing - Steel Reinforced Mullion Ref. No. 1 [page 61](#)

Note:
Inside wood casing must be modified. See installation instructions.

	Length	2 3/8"	2 5/8"	2 15/16"
	96 in	2340602	2340606	2340614
	144 in	2340604	2340608	2340616

Exterior Trim Strip - Transom/ RIA/CTN Horizontal Ref. No. 2 [page 61](#)

	Length	White	Terratone®	Sandtone	Forest Green	Canvas	Dark Bronze	Black
	150 in	2340520	2340522	2340524	2340526	9087235	9087272	9129277

Exterior Trim Strip - TW / Vertical Ref. No. 3 [page 61](#)

	Length	White	Terratone®	Sandtone	Forest Green	Canvas	Dark Bronze	Black
	150 in	1632926	2741726	1142426	0331797	9053177	9073178	9129320

Exterior Trim Strip - Transom/TWT/ Horizontal Ref. No. 4 [page 61](#)

	Length	White	Terratone®	Sandtone	Forest Green	Canvas	Dark Bronze	Black
	48 in	0102713	0102726	0102725	0102727	9076696	9076929	9133084
	84 in	0102728	0102730	0102729	0102731	9076697	9076930	9133085
	150 in	0102732	0102734	0102733	0102735	9076698	9076931	9130022

Exterior Narrow Mull Flashing Ref. No. 5 [page 61](#)

	Length	White	Terra-tone®	Sandtone	Forest Green	Canvas	Dark Bronze	Black
	6 in		2742108		0331798	9053178	9073179	9127235

Joining Strip - Steel Reinforced Mullion Ref. No. 6 [page 61](#)

	Unit Size	Order No.
	96 1/4 in	2340406
	114 in	2340408
	150 in	2340410

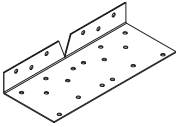
400 Series Elliptical, Circle Top™ & QR Windows (1986 to Present)

Double-Hung Circle Top

Joining Components

End Bracket - Steel Ref. No. 7 page 61		
		Order No.
		2340424

Gusset Plate Kit - Steel Reinforced / Narrow Mullion			
	Description	Finish	Order No.
Kit Includes: (2) Gusset plates (10) Reinforced mull spacers (10) Reinforced mull wedges (4) Jamb liner plugs, (2) Fasteners #10 x 2 1/2" PH FL HD SS with colored head 188 (18) Fasteners #10 x 3" typ17 PHSP FL STL with colored head (18) Fasteners #10 x 2 1/4" typ17 PH SPFL STL with colored heads (8) Fasteners #8 x 7/8" PH FL SS mull track (18) Fasteners #10 x 1 5/8" PH FL STL with colored heads (16) Fasteners #8 x 5/8" typ17 PH #6 SS (1) Instruction sheet #0005184		White	2340418
		Terratone®	2340420
		Sandtone	2340417
		Forest Green	2340419
		Canvas	9087234
		Dark Bronze	9087271
		Black	9128443

Gusset Plate - Reinforced Mullion Ref. No. 8 page 61		
		Order No.
		2340426

Art Glass Components

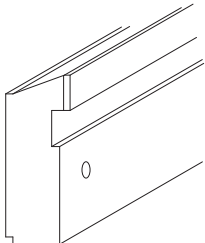
Art Glass

Note:

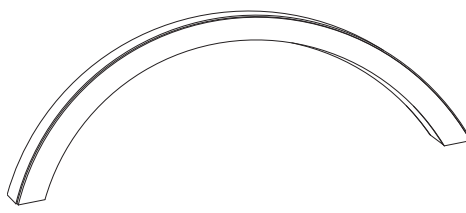
Information about ordering replacement art glass panels can be found in the Andersen Art Glass section of the catalog.

Art Glass Stops

Trim Stop - Art Glass / Sill

	Unit No.	Length	Order No.
	AG CTN20	19 ¹³ / ₁₆	2370144
	AG CTN24	23 ¹³ / ₁₆	2370146
	AG CTN28	27 ¹³ / ₁₆	2370148
	AG CTN30	31 ¹³ / ₁₆	2370150
	AG CTN34	25 ¹³ / ₁₆	2370152
	AG CTN28-2	61 ¹ / ₂	2370154
	AG CTN30-2	69 ¹ / ₂	2370156

Inside Trim Stop - Art Glass

	Unit No.	Length	Order No.
	AG CTN20	23	2370190
	AG CTN24	27	2370192
	AG CTN28	31	2370194
	AG CTN28-2	64 ¹¹ / ₁₆	2370196
	AG CTN30	35	2370198
	AG CTN30-2	72 ¹¹ / ₁₆	2370201
	AG CTN34	39	2370202

Art Glass Hardware

Bracket Package - Standard / Top and Bottom

	Includes: Shims and screws	Order No. 2370020
--	-------------------------------	----------------------

Bracket with Screws - Standard / Top

	Order No. 2370024
--	----------------------

Screw Package - Standard

	Description Brass oval head package, AG 1x5 STD	Order No. 2370026
--	--	----------------------

400 Series Elliptical, Circle Top™ & QR Windows (1986 to Present)

Stormwatch™ Protection (Coastal Product)

Andersen® products with Stormwatch protection are designed for use in coastal areas. They feature design pressure upgrades, glass options, and structural enhancements.

Glass

Glass - Elliptical Window (Impact Resistant)		
Note: Impact resistant High-Performance™ Sun II and High-Performance™ Sun II Tempered are available by description.		
Glass - Elliptical Window / High-Performance™ Low-E4® (Impact Resistant)		
	Unit No.	Order No.
	ET6	2585620
	ET8	2585621
Glass - Elliptical Window / High-Performance™ Low-E4® Sun 3 (Impact Resistant)		
	Unit No.	Order No.
	ET6	2585626
	ET8	2585627
Glass - Elliptical Window / High-Performance™ Sun II (Impact Resistant)		
Note: Available by description.		
Glass - Elliptical Window / High-Performance™ Low-E4® Tempered (Impact Resistant)		
	Unit No.	Order No.
	ET6	2585622
	ET8	2585623
Glass - Elliptical Window / High-Performance™ Low-E4® Sun 3 Tempered (Impact Resistant)		
	Unit No.	Order No.
	ET6	2585624
	ET8	2585625
Glass - Elliptical Window / High-Performance™ Sun II Tempered (Impact Resistant)		
Note: Available by description.		

Glass

Glass - Circle Top and Quarter Round Windows (Impact Resistant)

Glass - High-Performance™ Low-E4® (Impact Resistant)

Unit No.	Order No.	Unit No.	Order No.
CTC1	1394401	CTC3	1394409
CTCW1	1394403	CTQC1	1394402
CTCXW1	1394405	CTQCW1	1394404
CTC2	1394407	CTQA3	1394406
CTCW2	1394408		

Glass - High-Performance™ Low-E4® Sun 3 (Impact Resistant)

Unit No.	Order No.	Unit No.	Order No.
CTC1	1394428	CTC3	1394436
CTCW1	1394430	CTQC1	1394429
CTCXW1	1394432	CTQCW1	1394431
CTC2	1394434	CTQA3	1394433
CTCW2	1394435		

Glass - High-Performance™ Sun II (Impact Resistant)

Note:
Available by description.

Glass - High-Performance™ Low-E4® Tempered (Impact Resistant)

Unit No.	Order No.	Unit No.	Order No.
CTC1	1394410	CTC3	1394418
CTCW1	1394412	CTQC1	1394411
CTCXW1	1394414	CTQCW1	1394413
CTC2	1394416	CTQA3	1394415
CTCW2	1394417		

Glass - High-Performance™ Low-E4® Sun 3 Tempered (Impact Resistant)

Unit No.	Order No.	Unit No.	Order No.
CTC1	1394419	CTC3	1394427
CTCW1	1394421	CTQC1	1394420
CTCXW1	1394423	CTQCW1	1394422
CTC2	1394425	CTQA3	1394424
CTCW2	1394426		

Glass - High-Performance™ Sun II Tempered (Impact Resistant)

Note:
Available by description.

400 Series Elliptical, Circle Top™ & QR Windows (1986 to Present)

Stormwatch™ Protection (Coastal Product)

Glass

Glass - Double-Hung Circle Top Windows / Impact Resistant

Glass - High-Performance™ Low-E4® (Impact Resistant)

Unit No.	Order No.	Unit No.	Order No.
CTN20	1658020	CTN30	1658024
CTN24	1658021	CTN30-2	1658025
CTN28	1658022	CTN34	1658026
CTN28-2	1658023		

Glass - High-Performance™ Low-E4® Sun 3 (Impact Resistant)

Unit No.	Order No.	Unit No.	Order No.
CTN20	1658041	CTN30	1658045
CTN24	1658042	CTN30-2	1658046
CTN28	1658043	CTN34	1658047
CTN28-2	1658044		

Glass - High-Performance™ Sun II (Impact Resistant)

Note:
Available by description.

Glass - High-Performance™ Low-E4® Tempered (Impact Resistant)

Unit No.	Order No.	Unit No.	Order No.
CTN20	1658027	CTN30	1658031
CTN24	1658028	CTN30-2	1658032
CTN28	1658029	CTN34	1658033
CTN28-2	1658030		

Glass - High-Performance™ Low-E4® Sun 3 Tempered (Impact Resistant)

Unit No.	Order No.	Unit No.	Order No.
CTN20	1658034	CTN30	1658038
CTN24	1658035	CTN30-2	1658039
CTN28	1658036	CTN34	1658040
CTN28-2	1658037		

Glass - High-Performance™ Sun II Tempered (Impact Resistant)

Note:
Available by description.

Frames

Stops (Impact Resistant)

Note:

Stop profiles are unique.

Inside Trim Stop - Optional Glazing

Unit No.	White	Pine	Unit No.	White	Pine
CTC1	9013901	1387742	CTCX2	9013922	1399312
CTCW1	9013913	1387744	CTC3	9013909	1387746
CTCX1	9013920	1399310	CTQC1	9013936	1387747
CTCXW1	9013925	1387750	CTQCW1	9013940	1387748
CTC2	9013905	1387743	CTQCX1	9013947	1399311
CTCW2	9013917	1387745	CTQA3	9013932	1387749

Inside Glass Stop - Optional Glazing

Unit No.	White	Pine	Unit No.	White	Pine
CTC1	9013902	1387832	CTCX2	9013921	1399309
CTCW1	9013914	1387834	CTC3	9013910	1387840
CTCX1	9013919	1399307	CTQC1	9013937	1387842
CTCXW1	9013926	1387844	CTQCW1	9013943	9013961
CTC2	9013906	1387836	CTQCX1	9013946	1399308
CTCW2	9013918	1387838	CTQA3	9013933	1387848

Inside Trim Stop - Sill / Optional Glazing

Unit No.	Pine	Unit No.	Pine
CTC1/CTQC1	1388102	CTC2	1388106
CTCW1/CTQCW	1388104	CTCW2	1388108
CTCX1/CTQCX1	1399321	CTCX2	1399322
CTCXW1/CTQA3	1388105	CTC3	1388110

Inside Trim Stop - Side / Optional Glazing

	Unit No.	Pine
	CTQC1	1388210
	CTQCW1	1388212
	CTQCX1	1399315
	CTQA3	1388214

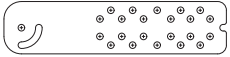
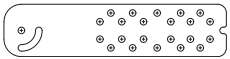
400 Series Elliptical, Circle Top™ & QR Windows (1986 to Present)

Stormwatch™ Protection (Coastal Product)

Frames

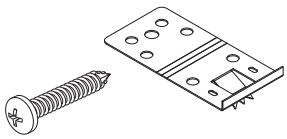
Jamb Clip Kit (Impact Resistant)

Jamb Clip Kit - 6" (Impact Resistant)

		Quantity	Clip Dimensions	Order No.
		10 clips	6 3/8 × 1 1/2	9014867
<p>Kit includes: Jamb clips and screws for Casement (venting), Awning (venting), CTN and Elliptical windows.</p> <p>Note: For use with pre-applied extension jambs. Made of 304 annealed stainless steel, making it compatible with ACQ treated lumber. These clips are approved for use with all Stormwatch products and for Miami-Dade County. The clips are pre-punched with holes for unit installation in wall thicknesses from 4-9/16" to 7-1/8". Additional pre-punched holes are available to compensate for wall thickness variations</p>				
<h4>Jamb Clips - 6" (Impact Resistant)</h4>				
		Quantity	Clip Dimensions	Order No.
		50 clips	6 3/8 × 1 1/2	1376707

Installation Clip Kit (Impact Resistant)

Installation Clip Kit (Impact Resistant)

	<p>Kit includes: 8 - Side jamb clips 16 - 8-15 x 1 PH PAN steel Z-D TYP 17 screws</p>	Unit No.	Order No.
		CTN / ET	2299102

Notes

400 Series Elliptical, Circle Top™ & QR Windows (1986 to Present)

Service Replacement

Service Replacement Only Parts

Service Replacement Only Parts

Note:

This section is specifically designed for parts that should only be ordered if a Territory Service Manager/Service Provider Company has requested them to be ordered or if the customer agrees to also pay for a non-warranty repair/replace service job (subject to availability) for these parts to be installed. We do not recommend anyone other than a trained AW employee or Service Provider install these parts due to the complexity of installation, modifications required for installation and/or requirement of special tools.

Exterior Grille - Circle Top / HDN / Hub

Exterior Grille - PS Circle Top / Hub

	Unit No.	White	Terratone	Sandtone	Forest Green	Canvas	Dark Bronze	Black
CTC Large		2330517	2330535	2330518	2330536	By description	By description	By description

Glass - Circle Top and Quarter Round Windows / HP Sun Bronze

Glass - High-Performance Sun Bronze

Unit No.	Order No.	Unit No.	Order No.
CTC1	1388702	CTC3	1388710
CTCW1	1388704	CTQC1	1389810
CTCXW1	By description	CTQCW1	1389812
CTC2	1388706	CTQA3	By description
CTCW2	1388708		

Glass - Double-Hung Circle Top Windows / HP Sun Bronze

Glass - High-Performance Sun Bronze

Unit No.	Order No.	Unit No.	Order No.
CTN20	1658202	CTN30	1658208
CTN24	1658204	CTN30-2	1658218
CTN28	1658206	CTN34	1658210
CTN28-2	1658216		

Glass - Elliptical Windows / HP Sun Bronze

Glass - High-Performance Sun Bronze

Unit No.	Order No.	Unit No.	Order No.
ET6	2585606	ET8	2565608

Notes
