

## What's in This Section

<b>Standard Windows</b> .....	<b>Page 7</b>
<b>Parts Illustration</b> .....	<b>7</b>
Parts Illustration - Interior View .....	7
Parts Illustration - Exterior View .....	8
<b>Unit Sizes</b> .....	<b>9</b>
Standard and Custom Window Sizes .....	9
Monumental Window Sizes .....	9
400 Series Product Label .....	9
Unit Size Chart / Even .....	10
Unit Size Chart / Cottage .....	11
Unit Size Chart PG 40 (4/2017 - Present) .....	12
<b>Product History</b> .....	<b>13</b>
Product History .....	13
<b>Sash</b> .....	<b>14</b>
Sash Size Table .....	14
Sash Graphic - Upper .....	19
Sash - Upper / No Grommets .....	20
Sash - Upper / High-Performance / Natural Wood Interior / 2.2 / No Grommets .....	21
Sash - Upper / High-Performance / Prefinished Interior / 2.2 / No Grommets .....	26
Sash - Upper / High-Performance Sun / Natural Wood Interior / 2.2 / No Grommets .....	31
Sash - Upper / High-Performance Sun / Prefinished Interior / 2.2 / No Grommets .....	36
Sash - Upper / HP Smart Sun / Natural Wood Interior / 2.2 / No Grommets .....	41
Sash - Upper / HP Passive Sun / Natural Wood Interior / 2.2 / No Grommets .....	41
Sash - Upper / HP Old Sun / Natural Wood Interior / 2.2 / No Grommets .....	41
Sash - Upper / HP Finelight / Natural Wood Interior / 2.2 / No Grommets .....	42
Sash - Upper / High-Performance Temp / Natural Wood Interior / No Grommets .....	47
Sash - Upper / High-Performance Temp / Prefinished Interior / No Grommets .....	52
Sash - Upper / with Grommets .....	70
Sash - Upper / Permanently Applied Grilles .....	83
Sash Graphic - Lower .....	84
Sash - Lower / No Grommets .....	85
Sash - Lower / High-Performance / Natural Wood Interior / 2.2 / No Grommets .....	86
Sash - Lower / High-Performance / Prefinished Interior / 2.2 / No Grommets .....	91
Sash - Lower / High-Performance Sun / Natural Wood Interior / 2.2 / No Grommets .....	96
Sash - Lower / High-Performance Sun / Prefinished Interior / 2.2 / No Grommets .....	101
Sash - Lower / HP Smart Sun / Natural Wood Interior / 2.2 / No Grommets .....	106
Sash - Lower / HP Passive Sun / Natural Wood Interior / 2.2 / No Grommets .....	106
Sash - Lower / HP Old Sun / Natural Wood Interior / 2.2 / No Grommets .....	106
Sash - Lower / HP Finelight / Natural Wood Interior / 2.2 / No Grommets .....	107

Sash - Lower / High-Performance Temp / Natural Wood Interior / No Grommets . . .	112
Sash - Lower / High-Performance Temp / Prefinished Interior / No Grommets . . . .	117
Sash - Lower / with Grommets . . . . .	136
Sash - Lower / Permanently Applied Grilles . . . . .	150
Weatherstrip . . . . .	151
Glazing Beads - High Performance / 5/8" . . . . .	153
Glazing Beads - HDN . . . . .	155
Sash Hardware / Lifts / Current . . . . .	157
Sash Hardware - Lock Kits/Components . . . . .	160
Sash Hardware / Opening Control Device Kit . . . . .	162
Sash Hardware / Retainer . . . . .	163
Shim Kits/Components . . . . .	163
Sash Components / Miscellaneous . . . . .	163
<b>Sash Balancers . . . . .</b>	<b>164</b>
Balancers - Tab and Shoe Illustration . . . . .	164
Balancer Usage Chart . . . . .	165
Balancers - Block and Tackle with Shoe . . . . .	183
Balancers - Block and Tackle with Tab . . . . .	184
Balancer Parts . . . . .	184
<b>Insect Screens . . . . .</b>	<b>185</b>
Insect Screens - Full / Even / TruScene® . . . . .	185
Insect Screens - Full / Cottage / TruScene® . . . . .	190
Insect Screens - Full / Even / Standard Mesh . . . . .	193
Insect Screens - Full / Cottage / Standard Mesh . . . . .	198
Insect Screens - Half / Even & Cottage / TruScene® (4/2007 - Present) . . . . .	201
Insect Screens - Half / Even & Cottage / Standard Mesh (4/2007 - Present) . . . . .	211
Insect Screen Bug Seal - Half . . . . .	221
Insect Screen Hardware . . . . .	222
<b>Grilles / Colonial . . . . .</b>	<b>223</b>
Upper / Wood Interior w/chisel plungers/Keeper Cut (2/2015 - Present) . . . . .	223
Upper / Wood Prefinished Interior w/chisel plungers/Keeper Cut (2/2015 - Present) . . . . .	227
Upper / Lower / Wood Interior w/chisel plungers (5/2010 - Present) . . . . .	231
Upper / Lower / Wood Prefinished Interior w/chisel plungers (5/2010 - Present) . . . . .	240
Upper / Lower / Wood Interior w/plungers (1992 - 5/2010) . . . . .	249
Upper / Lower / Wood Prefinished Interior w/plungers (1992 - 5/2010) . . . . .	258
Interior Grille Parts . . . . .	267
<b>Grilles / Prairie A . . . . .</b>	<b>268</b>
Upper / Lower / Wood Interior w/chisel plungers (5/2010 - Present) . . . . .	268
Upper / Lower / Prefinished Interior w/chisel plungers (5/2010 - Present) . . . . .	277
Upper / Lower / Wood Interior w/clips (1992 - 5/2010) . . . . .	286
Upper / Lower / Wood Prefinished Interior w/clips (1992 - 5/2010) . . . . .	295
Interior Grille Parts . . . . .	304
<b>Combination Units . . . . .</b>	<b>305</b>
Double-Hung Combination Unit Illustration . . . . .	305

Combination Unit - Double-Hung	306
Panels - Double-Hung Combination Units	310
Insect Screens - Double-Hung Combination Units	316
Frames - Double-Hung Combination Units	319
Hardware and Parts - Double Hung Combination Units	320
<b>Hardware</b>	<b>322</b>
Fasteners	322
Installation Kit	323
<b>Frames</b>	<b>324</b>
Frame Assembly	324
Frames	325
Stools	326
Stops (9/2017 - Present)	329
Vintage Stops (1992 - 8/2017)	331
Extension Jambs - Standard	333
Extension Jamb / Wood - Head and Sill (Pair)	334
Extension Jamb / Painted - Head and Sill (Pair)	335
Extension Jamb / Wood - Side (Pair)	336
Extension Jamb / Painted - Side (Pair)	337
Extension Jamb / Wood / Lineal	338
Extension Jamb / Painted / Lineal	339
Jamb Liners	343
Balancer Cover	345
Balancer Cover Tables (6/2017 - Present)	346
Vintage Balancer Cover Table (1992 - 8/2017)	347
Frame Hardware / Support Bracket	347
Flange	348
Frame Parts	349
<b>Joining Components</b>	<b>351</b>
Narrow Mullion Illustration	351
Narrow Mullion Kit	352
Narrow Mullion Kit Components	353
Support Mullion Illustration	355
Support Mullion Kit	355
Support Mullion Kit Components	355
Reinforced LVL Mull Illustration	356
Reinforced LVL Joining Kit Components Illustration	356
Reinforced LVL Mull Joining Kits	357
Reinforced LVL Mull Joining Kit Components	358
Reinforced Steel Mullion Illustration	359
Reinforced Steel Mull Joining Components	359
Universal Drip Cap - Continuous	362

<b>Angle Bay Windows</b> .....	<b>Page 363</b>
<b>Unit Sizes</b> .....	<b>363</b>
Unit Sizes - Angle Bay 30° Windows .....	363
Unit Sizes - Angle Bay 45° Windows .....	364
<b>Angle Bay Parts</b> .....	<b>365</b>
Angle Bay 30° and 45° Window Profiles .....	366
Platform Sets .....	367
Joining Kits .....	368
Trim Strips - Mull Post .....	370
Flashing .....	370
Inside Casing - Mull Post .....	371
Extension Jamb Adaptors .....	371
Head and Seat Board Sets .....	372
Head and Seat Board Singles .....	375
Extension Jambs .....	378
Angle Bay Parts .....	379
Cable Support System .....	380
<b>Stormwatch™ Protection (Coastal Product)</b> .....	<b>Page 383</b>
<b>Sash - DP Upgrade</b> .....	<b>383</b>
Sash / Upper (DP Upgrade) (4/2007 - Present) .....	383
Sash / Upper (DP Upgrade) (3/2006 - 3/2007) .....	385
Sash / Upper (DP Upgrade) (2003 - 2/2006) .....	387
Sash / Lower (DP Upgrade) (4/2007 - Present) .....	389
Sash / Lower (DP Upgrade) (3/2006 - 3/2007) .....	391
Sash / Lower (DP Upgrade) (2003 - 2/2006) .....	393
<b>Sash - Impact Resistant</b> .....	<b>395</b>
Sash / Upper (Impact Resistant) (4/2007 - Present) .....	395
Sash / Upper (Impact Resistant) (2004 - 3/2007) .....	397
Sash / Lower (Impact Resistant) (4/2007 - Present) .....	402
Sash / Lower (Impact Resistant) (2004 - 3/2007) .....	404
<b>Sash Parts</b> .....	<b>409</b>
Glazing Beads - Laminated Monolithic / Vinyl .....	409
Sash Hardware .....	411
Sash Hardware / Opening Control Device Kit .....	412
<b>Sash Balancers</b> .....	<b>413</b>
Balancer Usage Chart .....	413
Balancers - Block and Tackle with Shoe .....	428
Balancers - Block and Tackle with Tab .....	429
<b>Grilles - Colonial</b> .....	<b>430</b>
Upper / Lower / Wood Interior w/chisel plungers (5/2010 - Present) .....	430
Upper / Lower / Wood Prefinished Interior w/chisel plungers (5/2010 - Present) ...	440



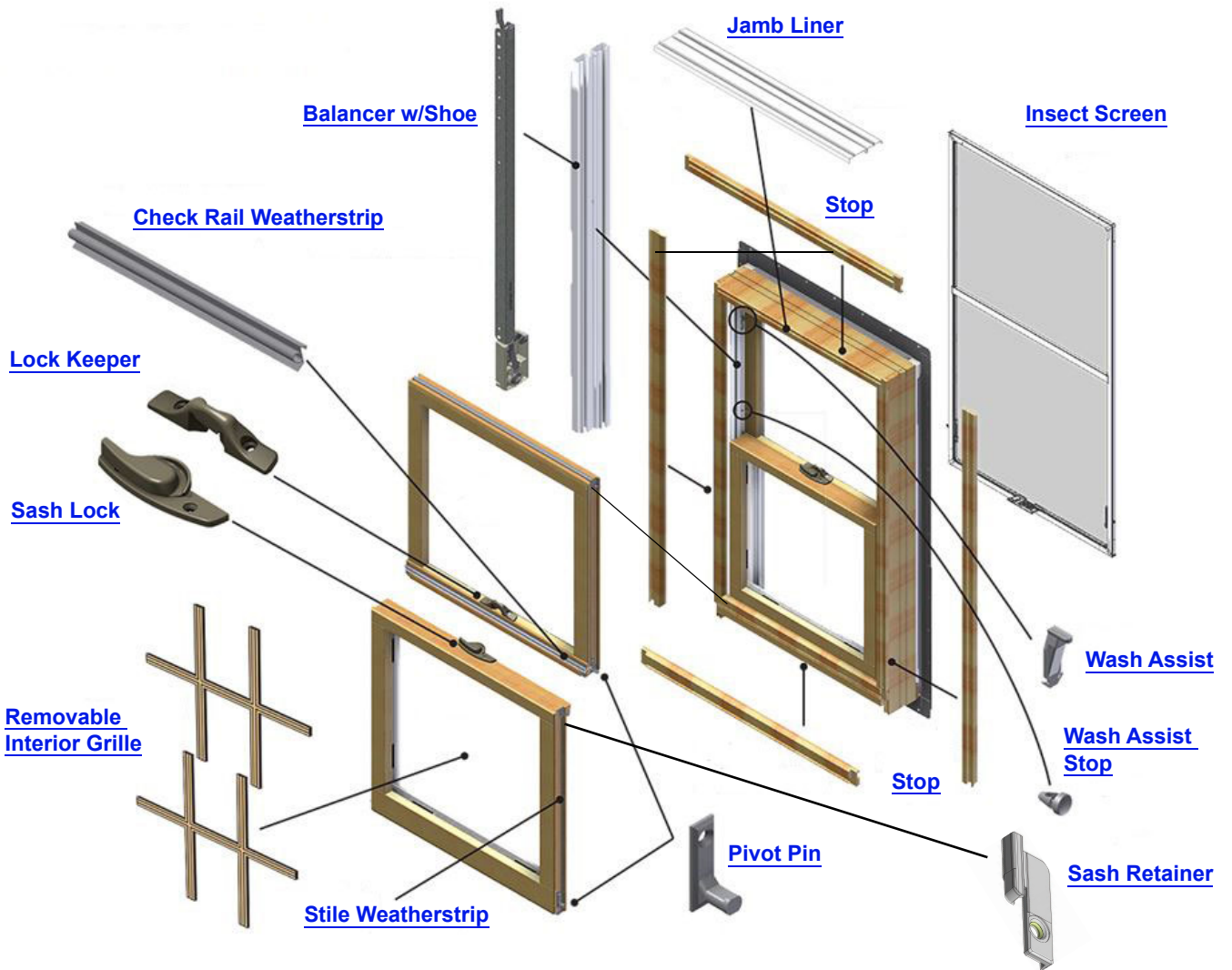
Upper / Lower / Wood Interior w/clips (2003 - 5/2010)	449
Upper / Lower / Wood Prefinished Interior w/clips (2003 - 2010)	454
Upper Cottage / Wood w/Clips (2003 - 5/2010)	459
Lower Cottage / Wood w/Clips (2003 - 5/2010)	461
Upper Cottage / Prefinished Interior w/Clips (2003 - 5/2010)	463
Lower Cottage / Prefinished Interior w/Clips (2003 - 5/2010)	465
Interior Grille Parts	467
<b>Grilles - Prairie A</b>	<b>468</b>
Upper / Wood Interior w/chisel plungers (5/2010 - Present)	468
Upper / Wood Prefinished Interior w/chisel plungers (5/2010 - Present)	471
Interior Grille Parts	474
<b>Frames</b>	<b>475</b>
Frames	475
Stops (2004 - Present)	476
Stops - Sill (DP Upgrade and Impact Resistant) (4/2007 - Present)	476
Stops - Side	478
Jamb Clip Kits (Impact Resistant)	479
Installation Clip Kits (Impact Resistant)	479
Jamb Liner - Side (Impact Resistant)	479
Frame Hardware (Stormwatch)	480
<b>Joining Components</b>	<b>481</b>
Joining Kit - LVL Reinforced	481
<b>Service Replacement</b>	<b>Page 483</b>
<b>Service Replacement Only Parts</b>	<b>483</b>
Service Replacement Only Parts	483
Exterior Grilles - HDN	483
Grille Clip	483
Sash Parts	484
Balancer Parts	484
Frame Hardware (Stormwatch)	484
Frame Parts	485
Trim Strips - Mull Post	486
Cartons	487
Bulletins	489

# 400 Series Tilt-Wash (TW) Windows (1992 to Present)

Standard Windows

Parts Illustration

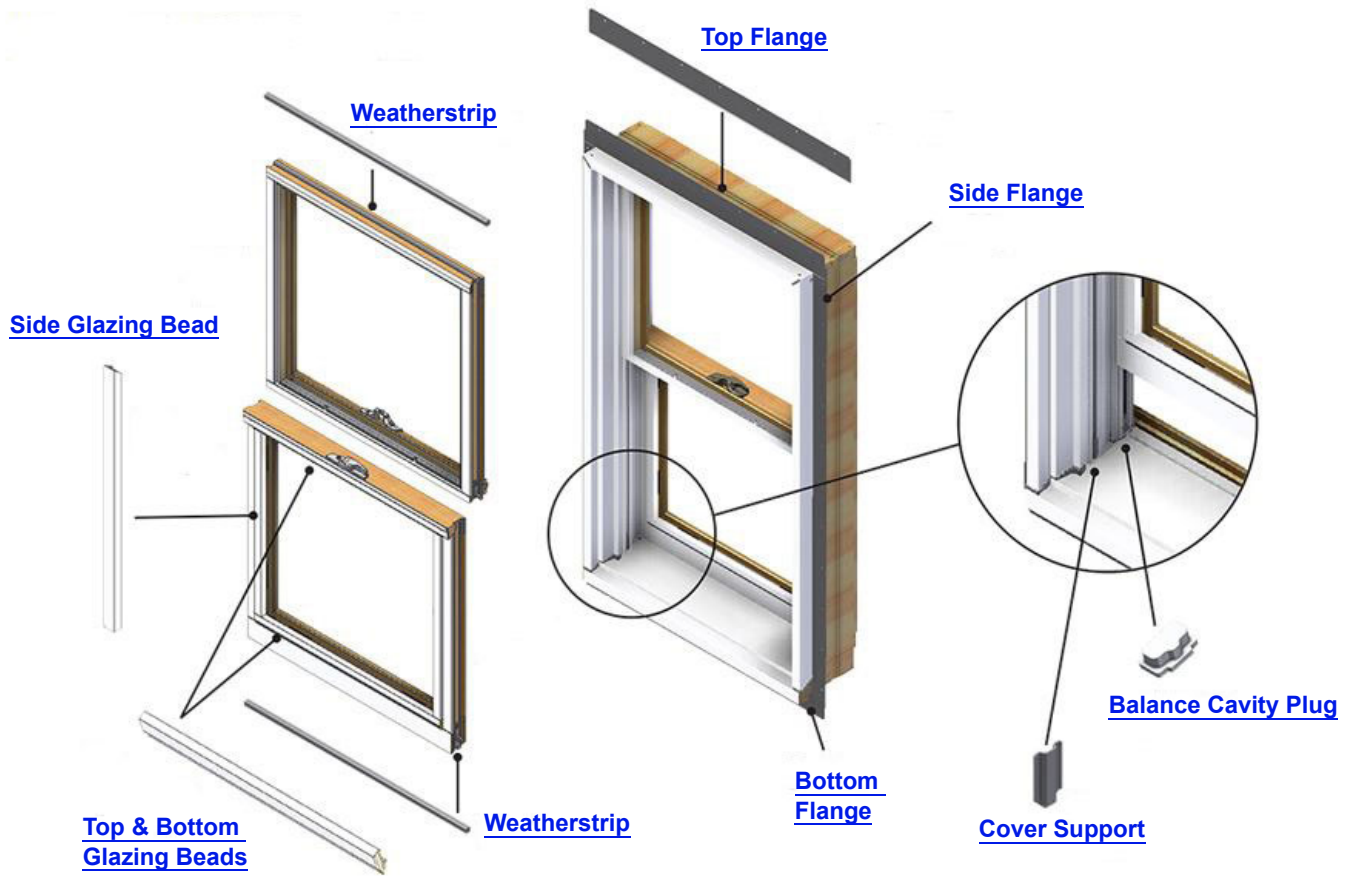
## Parts Illustration - Interior View



Tilt-Wash II (TW) Window Unit Parts

## Parts Illustration

### Parts Illustration - Exterior View



**Tilt-Wash II (TW) Window Unit Parts**

*Unit viewed from exterior.*



## Unit Sizes

### Standard and Custom Window Sizes

**Note:**

Tilt Wash Windows are available in standard sizes. Replacement parts for some windows can be ordered using the numbers listed in this catalog. Some replacement parts for windows are made to order. These items are ordered using the Product ID found on the identification label and a description of the part needed. See [Service Guide 9051877](#).

Tilt Wash Windows are also available in custom sizes in 1/8" increments between the smallest and the largest standard sizes. Most replacement parts for custom-sized windows are made to order and can be ordered with the Product ID found on the identification label and a description of the part needed. See [Service Guide 9051877](#).

### Monumental Window Sizes

**Note:**

[Tilt Wash Monumental Windows](#) are available in standard sizes. Replacement parts for some windows can be ordered using the numbers listed in the online catalog. Some replacement parts for windows are made to order. These items are ordered using the Product ID found on the identification label and a description of the part needed. See [Service Guide 9051877](#).

[Tilt Wash Monumental Windows](#) are also available in custom sizes in 1/8" increments between the smallest and the largest standard sizes. Most replacement parts for custom-sized windows are made to order and can be ordered with the Product ID found on the identification label and a description of the part needed. See [Service Guide 9051877](#).

### 400 Series Product Label

**Note:**

Some Tilt Wash Windows will have an identification label or glass etching containing a unique Product ID. The Product ID on Tilt Wash Windows will be located at the top of the window frame or etched into the glass. See [Service Guide 9051877](#). The Product ID may be up to 14 digits long (excluding hyphens), depending on the age of the unit. Replacement parts will also get their own unique Product ID. When ordering replacement parts, providing the Product ID ensures that replacement parts match the specifications.

## Unit Sizes

### Unit Size Chart / Even

**Note:**

See [Measuring Visible Glass Video](#). See [Tilt Wash Monumental Windows even](#) size chart.

- 46 Height unobstructed glass dimension changed on March 28, 2017. See [Size Chart](#).
- 310 Height unobstructed glass dimension changed on August 22, 2017. See [Size Chart](#).

Unit Dimension	1'-9 5/8" (549)	2'-1 5/8" (651)	2'-5 5/8" (752)	2'-7 5/8" (803)	2'-9 5/8" (854)	2'-11 5/8" (905)	3'-1 5/8" (956)	3'-5 5/8" (1057)	3'-9 5/8" (1159)
Minimum Rough Opening	1'-10 1/8" (562)	2'-2 1/8" (664)	2'-6 1/8" (765)	2'-8 1/8" (816)	2'-10 1/8" (867)	3'-0 1/8" (917)	3'-2 1/8" (968)	3'-6 1/8" (1070)	3'-10 1/8" (1172)
Unobstructed Glass	15" (381)	19" (483)	23" (584)	25" (635)	27" (686)	29" (737)	31" (787)	35" (889)	39" (991)
3'-0 7/8" (937)									
3'-0 7/8" (937)	TW18210	TW20210	TW24210	TW26210	TW28210	TW210210	TW30210	TW34210	TW38210
3'-4 7/8" (1038)									
3'-4 7/8" (1038)	TW1832	TW2032	TW2432	TW2632	TW2832	TW21032	TW3032	TW3432	TW3832
3'-8 7/8" (1140)									
3'-8 7/8" (1140)	TW1836	TW2036	TW2436	TW2636	TW2836	TW21036	TW3036	TW3436	TW3836
4'-0 7/8" (1241)									
4'-0 7/8" (1241)	TW18310	TW20310	TW24310	TW26310	TW28310	TW210310	TW30310	TW34310	TW38310
4'-4 7/8" (1343)									
4'-4 7/8" (1343)	TW1842	TW2042	TW2442	TW2642	TW2842	TW21042	TW3042	TW3442	TW3842
4'-8 7/8" (1445)									
4'-8 7/8" (1445)	TW1846	TW2046	TW2446	TW2646	TW2846	TW21046	TW3046	TW3446	TW3846
5'-0 7/8" (1546)									
5'-0 7/8" (1546)	TW18410	TW20410	TW24410	TW26410	TW28410	TW210410	TW30410	TW34410	TW38410
5'-4 7/8" (1648)									
5'-4 7/8" (1648)	TW1852	TW2052	TW2452	TW2652	TW2852	TW21052	TW3052	TW3452	TW3852
5'-8 7/8" (1749)									
5'-8 7/8" (1749)	TW1856	TW2056	TW2456	TW2656	TW2856	TW21056	TW3056	TW3456	TW3856
6'-0 7/8" (1851)									
6'-0 7/8" (1851)	TW18510	TW20510	TW24510	TW26510	TW28510	TW210510	TW30510	TW34510	TW38510
6'-4 7/8" (1953)									
6'-4 7/8" (1953)	TW1862	TW2062	TW2462	TW2662	TW2862	TW21062	TW3062	TW3462	TW3862

SEE NEW UNOBSTRUCTED GLASS SIZES

(1992 - August 2017)

SEE NEW UNOBSTRUCTED GLASS SIZES

(1992 - March 2017)

These 5'-9" height units are "cottage style" units, and have unequal sash. The top sash is shorter than the bottom sash.

Units with equal sash heights are ordered by description. Contact dealer for lead times.

• "Window Dimension" always refers to outside frame to frame dimension.  
 • Dimensions in parentheses are in millimeters.  
 • Meet or exceed clear opening area of 5.7 sq.ft. or 0.53 m<sup>2</sup>, clear opening width of 20" (508) and clear opening height of 24" (610).

### Tilt-Wash (DC) and Tilt-Wash II (TW) Standard Sizes

# 400 Series Tilt-Wash (TW) Windows (1992 to Present)

Standard Windows

## Unit Sizes

### Unit Size Chart / Cottage

**Note:**

See [Measuring Visible Glass Video](#). See [Tilt Wash Monumental Windows cottage](#) size chart.

• 56 Height unobstructed glass dimension changed on March 28, 2017. See [Size Chart](#).

Window Dimension	1'-9 5/8" (549)	2'-1 5/8" (651)	2'-5 5/8" (752)	2'-7 5/8" (803)	2'-9 5/8" (854)	2'-11 5/8" (905)	3'-1 5/8" (956)	3'-5 5/8" (1057)	3'-9 5/8" (1159)
Minimum Rough Opening	1'-10 1/8" (562)	2'-2 1/8" (664)	2'-6 1/8" (765)	2'-8 1/8" (816)	2'-10 1/8" (867)	3'-0 1/8" (917)	3'-2 1/8" (968)	3'-6 1/8" (1070)	3'-10 1/8" (1172)
Unobstructed Glass	15" (381)	19" (483)	23" (584)	25" (635)	27" (686)	29" (737)	31" (787)	35" (889)	39" (991)

		CUSTOM WIDTHS — 21 5/8" to 45 5/8"								
4'-0 7/8" (1241)		TW18310	TW20310	TW24310	TW26310	TW28310	TW210310	TW30310	TW34310	TW38310
4'-4 7/8" (1343)		TW1842	TW2042	TW2442	TW2642	TW2842	TW21042	TW3042	TW3442	TW3842
4'-8 7/8" (1445)		TW1846	TW2046	TW2446	TW2646	TW2846	TW21046	TW3046	TW3446	TW3846
5'-0 7/8" (1546)		TW18410	TW20410	TW24410	TW26410	TW28410	TW210410	TW30410	TW34410	TW38410
5'-4 7/8" (1648)		TW1852	TW2052	TW2452	TW2652	TW2852	TW21052	TW3052	TW3452	TW3852
5'-8 7/8" (1749)		TW1856	TW2056	TW2456	TW2656	TW2856	TW21056	TW3056*	TW3456*	TW3856*
6'-0 7/8" (1851)		TW18510	TW20510	TW24510	TW26510	TW28510	TW210510	TW30510*	TW34510*	TW38510*
6'-4 7/8" (1953)		TW1862	TW2062	TW2462	TW2662	TW2862	TW21062*	TW3062*	TW3462*	TW3862*

CUSTOM HEIGHTS — 48 7/8" to 68 7/8"



Custom-size windows are available in 1/8" (3) increments.

Windows 6' 0 7/8" (1851) and 6' 4 7/8" (1953) high have interior and exterior brackets. Interior brackets, located on both sides of the check rail, must be flipped up for proper product performance.

SEE NEW UNOBSTRUCTED GLASS SIZES

(1992 - March 2017)

\* Window Dimension\* always refers to outside frame to frame dimension.  
 • Dimensions in parentheses are in millimeters.  
 • Meet or exceed clear opening area of 5.7 sq.ft. or 0.53 m<sup>2</sup>, clear opening width of 20" (508) and clear opening height of 24" (610).

### Tilt-Wash (DC) and Tilt-Wash II (TW) Standard Cottage Sizes

Unit viewed from exterior.

## Unit Sizes

### Unit Size Chart PG 40 (4/2017 - Present)

**Note:**

See [Measuring Visible Glass Video](#).

Unit Dimension	1'-9 <sup>5</sup> / <sub>8</sub> " (549)	2'-1 <sup>5</sup> / <sub>8</sub> " (651)	2'-5 <sup>5</sup> / <sub>8</sub> " (752)	2'-7 <sup>5</sup> / <sub>8</sub> " (803)	2'-9 <sup>5</sup> / <sub>8</sub> " (854)	2'-11 <sup>5</sup> / <sub>8</sub> " (905)	3'-1 <sup>5</sup> / <sub>8</sub> " (956)	3'-5 <sup>5</sup> / <sub>8</sub> " (1057)	3'-9 <sup>5</sup> / <sub>8</sub> " (1159)
Minimum Rough Opening	1'-10 <sup>1</sup> / <sub>8</sub> " (562)	2'-2 <sup>1</sup> / <sub>8</sub> " (664)	2'-6 <sup>1</sup> / <sub>8</sub> " (765)	2'-8 <sup>1</sup> / <sub>8</sub> " (816)	2'-10 <sup>1</sup> / <sub>8</sub> " (867)	3'-0 <sup>1</sup> / <sub>8</sub> " (917)	3'-2 <sup>1</sup> / <sub>8</sub> " (968)	3'-6 <sup>1</sup> / <sub>8</sub> " (1070)	3'-10 <sup>1</sup> / <sub>8</sub> " (1172)
Unobstructed Glass*	15" (381)	19" (483)	23" (584)	25" (635)	27" (686)	29" (737)	31" (787)	35" (889)	39" (991)

<p>4'-0<sup>7</sup>/<sub>8</sub>" (1241)</p> <p>4'-0<sup>7</sup>/<sub>8</sub>" (1241)</p> <p>20<sup>7</sup>/<sub>16</sub>" (519)</p> <p>19<sup>7</sup>/<sub>16</sub>" (494)</p>		<p>(September 2017 - Present)</p>
<p>TW18310 TW20310 TW24310 TW26310 TW28310 TW210310 TW30310 TW34310 TW38310</p>		

<p>4'-8<sup>7</sup>/<sub>8</sub>" (1445)</p> <p>4'-8<sup>7</sup>/<sub>8</sub>" (1445)</p> <p>24<sup>7</sup>/<sub>16</sub>" (621)</p> <p>23<sup>7</sup>/<sub>16</sub>" (595)</p>		<p>(April 2017 - Present)</p>
<p>TW1846 TW2046 TW2446 TW2646 TW2846 TW21046 TW3046 † TW3446 † TW3846 †</p>		

<p>5'-8<sup>7</sup>/<sub>8</sub>" (1749)</p> <p>5'-8<sup>7</sup>/<sub>8</sub>" (1749)</p> <p>24<sup>7</sup>/<sub>16</sub>" (621)</p> <p>35<sup>7</sup>/<sub>16</sub>" (900)</p>		<p>(April 2017 - Present)</p>
<p>TW1856 TW2056 TW2456 TW2656 TW2856 TW21056 TW3056 † TW3456 † TW3856 †</p>		

- \* "Window Dimension" always refers to outside frame to frame dimension.
- † Dimensions in parentheses are in millimeters.
- ‡ Meet or exceed clear opening area of 5.7 sq.ft. or 0.53 m<sup>2</sup>, clear opening width of 20" (508) and clear opening height of 24" (610).

### Tilt-Wash (TW) Sizes

# 400 Series Tilt-Wash (TW) Windows (1992 to Present)

Standard Windows

## Product History

### Product History

**Note:**

See [Dealer Bulletins](#) for additional information. Some product introductions **may** work on older versions.

<b>2023</b>	Factory applied combination units (“Performance Panel”). See <a href="#">Dealer News 33.23</a>
<b>2017</b>	Custom sized units (1/8” increments) introduced.
<b>2016</b>	Black color introduced.
<b>2013</b>	Dark Bronze and Canvas colors introduced.
<b>2008</b>	SmartSun™ glass introduced.
<b>2007</b>	Expanded line of cottage and reverse-cottage windows added.
<b>2007</b>	Factory-applied 6 9/16” extension jambs introduced.
<b>2007</b>	Half insect screens introduced.
<b>2003</b>	Stormwatch™ Protection (Coastal Product) with design pressure upgrades, glass options, and structural enhancements introduced for (TW) Tilt-Wash Double-Hung units.
<b>2002</b>	High definition grilles introduced. Low definition grilles discontinued.
<b>2001</b>	Forest Green color introduced.
<b>1996</b>	(TW) Tilt-Wash Double-Hung Windows introduced.
<b>1992</b>	DC Tilt-Wash Windows introduced.

## Sash

### Sash Size Table

**Note:**

- Upper and Lower Sash is measured outside edge to outside edge of sash frame.
- Unobstructed Glass is measured from outside edge to outside edge of visible glass only. See [Measuring Visible Glass Video](#).
- Sash with HDN (High Definition) grilles use unique glazing bead listed in sash section.
- 46 Even (upper and lower) and 56 Cottage (upper and lower) height changed in April 2017.
- 310 Even (upper and lower) height changed in September 2017.
- When using/ordering for Conversion Kits the 310 and 46 sizes are **not** impacted by design changes made in 2017.

Unit Size		Upper Sash			Lower Sash		
Unit No.	Overall Sash (w x h)	Unobstructed Glass (w x h)	Actual Glass (w x h)	Overall Sash (w x h)	Unobstructed Glass (w x h)	Actual Glass (w x h)	
18	TW18210	18 11/32 x 17	15 x 13 15/16	16 x 14 31/32	18 11/32 x 17 13/16	15 x 13 15/16	16 x 14 31/32
	TW1832	18 11/32 x 19	15 x 15 15/16	16 x 16 31/32	18 11/32 x 19 13/16	15 x 15 15/16	16 x 16 31/32
	TW1836	18 11/32 x 21	15 x 17 15/16	16 x 18 31/32	18 11/32 x 21 13/16	15 x 17 15/16	16 x 18 31/32
	TW18310 (1992 - 8/2017)	18 11/32 x 23	15 x 19 15/16	16 x 20 31/32	18 11/32 x 23 13/16	15 x 19 15/16	16 x 20 31/32
	TW18310 (9/2017 - Present)	18 11/32 x 23 1/2	15 x 20 7/16	16 x 21 15/32	18 11/32 x 23 5/16	15 x 19 7/16	16 x 20 15/32
	TW1842	18 11/32 x 25	15 x 21 15/16	16 x 22 31/32	18 11/32 x 25 13/16	15 x 21 15/16	16 x 22 31/32
	TW1846 (1992 - 3/2017)	18 11/32 x 27	15 x 23 15/16	16 x 24 31/32	18 11/32 x 27 13/16	15 x 23 15/16	16 x 24 31/32
	TW1846 (4/2017 - Present)	18 11/32 x 27 1/2	15 x 24 7/16	16 x 25 15/32	18 11/32 x 27 5/16	15 x 23 7/16	16 x 24 15/32
	TW18410	18 11/32 x 29	15 x 25 15/16	16 x 26 31/32	18 11/32 x 29 13/16	15 x 25 15/16	16 x 26 31/32
	TW1852	18 11/32 x 31	15 x 27 15/16	16 x 28 31/32	18 11/32 x 31 13/16	15 x 27 15/16	16 x 28 31/32
	TW1856E	18 11/32 x 33	15 x 29 15/16	16 x 30 31/32	18 11/32 x 32 13/16	15 x 29 15/16	16 x 30 31/32
	TW1856C (1992 - 3/2017)	18 11/32 x 27	15 x 23 15/16	16 x 24 31/32	18 11/32 x 39 13/16	15 x 35 15/16	16 x 36 31/32
	TW1856C (4/2017 - Present)	18 11/32 x 27 1/2	15 x 24 7/16	16 x 25 15/32	18 11/32 x 39 5/16	15 x 35 7/16	16 x 36 15/32
	TW18510	18 11/32 x 35	15 x 31 15/16	16 x 32 31/32	18 11/32 x 35 13/16	15 x 31 15/16	16 x 32 31/32
	TW1862	18 11/32 x 37	15 x 33 15/16	16 x 34 31/32	18 11/32 x 37 13/16	15 x 33 15/16	16 x 34 31/32
	TW1872	18 11/32 x 43	15 x 39 15/16	16 x 40 31/32	18 11/32 x 43 13/16	15 x 39 15/16	16 x 40 31/32
TW1876	18 11/32 x 45	15 x 41 15/16	16 x 42 31/32	18 11/32 x 45 13/16	15 x 41 15/16	16 x 42 31/32	
20	TW20210	22 11/32 x 17	19 x 13 15/16	20 x 14 31/32	22 11/32 x 17 13/16	19 x 13 15/16	20 x 14 31/32
	TW2032	22 11/32 x 19	19 x 15 15/16	20 x 16 31/32	22 11/32 x 19 13/16	19 x 15 15/16	20 x 16 31/32
	TW2036	22 11/32 x 21	19 x 17 15/16	20 x 18 31/32	22 11/32 x 21 13/16	19 x 17 15/16	20 x 18 31/32
	TW20310 (1992 - 8/2017)	22 11/32 x 23	19 x 19 15/16	20 x 20 31/32	22 11/32 x 23 13/16	19 x 19 15/16	20 x 20 31/32
	TW20310 (9/2017 - Present)	22 11/32 x 23 1/2	19 x 20 7/16	20 x 21 15/32	22 11/32 x 23 5/16	19 x 19 7/16	20 x 20 15/32
	TW2042	22 11/32 x 25	19 x 21 15/16	20 x 22 31/32	22 11/32 x 25 13/16	19 x 21 15/16	20 x 22 31/32
	TW2046 (1992 - 3/2017)	22 11/32 x 27	19 x 23 15/16	20 x 24 31/32	22 11/32 x 27 13/16	19 x 23 15/16	20 x 24 31/32
	TW2046 (4/2017 - Present)	22 11/32 x 27 1/2	19 x 24 7/16	20 x 25 15/32	22 11/32 x 27 5/16	19 x 23 7/16	20 x 24 15/32
	TW20410	22 11/32 x 29	19 x 25 15/16	20 x 26 31/32	22 11/32 x 29 13/16	19 x 25 15/16	20 x 26 31/32
	TW2052	22 11/32 x 31	19 x 27 15/16	20 x 28 31/32	22 11/32 x 31 13/16	19 x 27 15/16	20 x 28 31/32
	TW2056E	22 11/32 x 33	19 x 29 15/16	20 x 30 31/32	22 11/32 x 32 13/16	19 x 29 15/16	20 x 30 31/32
	TW2056C (1992 - 3/2017)	22 11/32 x 27	19 x 23 15/16	20 x 24 31/32	22 11/32 x 39 13/16	19 x 35 15/16	20 x 36 31/32
	TW2056C (4/2017 - Present)	22 11/32 x 27 1/2	19 x 24 7/16	20 x 25 15/32	22 11/32 x 39 5/16	19 x 35 7/16	20 x 36 15/32
	TW20510	22 11/32 x 35	19 x 31 15/16	20 x 32 31/32	22 11/32 x 35 13/16	19 x 31 15/16	20 x 32 31/32
	TW2062	22 11/32 x 37	19 x 33 15/16	20 x 34 31/32	22 11/32 x 37 13/16	19 x 33 15/16	20 x 34 31/32
	TW2072	22 11/32 x 43	19 x 39 15/16	20 x 40 31/32	22 11/32 x 43 13/16	19 x 39 15/16	20 x 40 31/32
TW2076	22 11/32 x 45	19 x 41 15/16	20 x 42 31/32	22 11/32 x 45 13/16	19 x 41 15/16	20 x 42 31/32	

# 400 Series Tilt-Wash (TW) Windows (1992 to Present)

Standard Windows

## Sash

Unit Size		Upper Sash			Lower Sash		
Unit No.	Overall Sash (w x h)	Unobstructed Glass (w x h)	Actual Glass (w x h)	Overall Sash (w x h)	Unobstructed Glass (w x h)	Actual Glass (w x h)	
<b>24</b>	TW24210	26 <sup>11</sup> / <sub>32</sub> × 17	23 × 13 <sup>15</sup> / <sub>16</sub>	24 × 14 <sup>31</sup> / <sub>32</sub>	26 <sup>11</sup> / <sub>32</sub> × 17 <sup>13</sup> / <sub>16</sub>	23 × 13 <sup>15</sup> / <sub>16</sub>	24 × 14 <sup>31</sup> / <sub>32</sub>
	TW2432	26 <sup>11</sup> / <sub>32</sub> × 19	23 × 15 <sup>15</sup> / <sub>16</sub>	24 × 16 <sup>31</sup> / <sub>32</sub>	26 <sup>11</sup> / <sub>32</sub> × 19 <sup>13</sup> / <sub>16</sub>	23 × 15 <sup>15</sup> / <sub>16</sub>	24 × 16 <sup>31</sup> / <sub>32</sub>
	TW2436	26 <sup>11</sup> / <sub>32</sub> × 21	23 × 17 <sup>15</sup> / <sub>16</sub>	24 × 18 <sup>31</sup> / <sub>32</sub>	26 <sup>11</sup> / <sub>32</sub> × 21 <sup>13</sup> / <sub>16</sub>	23 × 17 <sup>15</sup> / <sub>16</sub>	24 × 18 <sup>31</sup> / <sub>32</sub>
	TW24310 (1992 - 8/2017)	26 <sup>11</sup> / <sub>32</sub> × 23	23 × 19 <sup>15</sup> / <sub>16</sub>	24 × 20 <sup>31</sup> / <sub>32</sub>	26 <sup>11</sup> / <sub>32</sub> × 23 <sup>13</sup> / <sub>16</sub>	23 × 19 <sup>15</sup> / <sub>16</sub>	24 × 20 <sup>31</sup> / <sub>32</sub>
	TW24310 (9/2017 - Present)	26 <sup>11</sup> / <sub>32</sub> × 23 <sup>1</sup> / <sub>2</sub>	23 × 20 <sup>7</sup> / <sub>16</sub>	24 × 21 <sup>15</sup> / <sub>32</sub>	26 <sup>11</sup> / <sub>32</sub> × 23 <sup>5</sup> / <sub>16</sub>	23 × 19 <sup>7</sup> / <sub>16</sub>	24 × 20 <sup>15</sup> / <sub>32</sub>
	TW2442	26 <sup>11</sup> / <sub>32</sub> × 25	23 × 21 <sup>15</sup> / <sub>16</sub>	24 × 22 <sup>31</sup> / <sub>32</sub>	26 <sup>11</sup> / <sub>32</sub> × 25 <sup>13</sup> / <sub>16</sub>	23 × 21 <sup>15</sup> / <sub>16</sub>	24 × 22 <sup>31</sup> / <sub>32</sub>
	TW2446 (1992 - 3/2017)	26 <sup>11</sup> / <sub>32</sub> × 27	23 × 23 <sup>15</sup> / <sub>16</sub>	24 × 24 <sup>31</sup> / <sub>32</sub>	26 <sup>11</sup> / <sub>32</sub> × 27 <sup>13</sup> / <sub>16</sub>	23 × 23 <sup>15</sup> / <sub>16</sub>	24 × 24 <sup>31</sup> / <sub>32</sub>
	TW2446 (4/2017 - Present)	26 <sup>11</sup> / <sub>32</sub> × 27 <sup>1</sup> / <sub>2</sub>	23 × 24 <sup>7</sup> / <sub>16</sub>	24 × 25 <sup>15</sup> / <sub>32</sub>	26 <sup>11</sup> / <sub>32</sub> × 27 <sup>5</sup> / <sub>16</sub>	23 × 23 <sup>7</sup> / <sub>16</sub>	24 × 24 <sup>15</sup> / <sub>32</sub>
	TW24410	26 <sup>11</sup> / <sub>32</sub> × 29	23 × 25 <sup>15</sup> / <sub>16</sub>	24 × 26 <sup>31</sup> / <sub>32</sub>	26 <sup>11</sup> / <sub>32</sub> × 29 <sup>13</sup> / <sub>16</sub>	23 × 25 <sup>15</sup> / <sub>16</sub>	24 × 26 <sup>31</sup> / <sub>32</sub>
	TW2452	26 <sup>11</sup> / <sub>32</sub> × 31	23 × 27 <sup>15</sup> / <sub>16</sub>	24 × 28 <sup>31</sup> / <sub>32</sub>	26 <sup>11</sup> / <sub>32</sub> × 31 <sup>13</sup> / <sub>16</sub>	23 × 27 <sup>15</sup> / <sub>16</sub>	24 × 28 <sup>31</sup> / <sub>32</sub>
	TW2456E	26 <sup>11</sup> / <sub>32</sub> × 33	23 × 29 <sup>15</sup> / <sub>16</sub>	24 × 30 <sup>31</sup> / <sub>32</sub>	26 <sup>11</sup> / <sub>32</sub> × 32 <sup>31</sup> / <sub>32</sub>	23 × 29 <sup>15</sup> / <sub>16</sub>	24 × 30 <sup>31</sup> / <sub>32</sub>
	TW2456C (1992 - 3/2017)	26 <sup>11</sup> / <sub>32</sub> × 27	23 × 23 <sup>15</sup> / <sub>16</sub>	24 × 24 <sup>31</sup> / <sub>32</sub>	26 <sup>11</sup> / <sub>32</sub> × 39 <sup>13</sup> / <sub>16</sub>	23 × 35 <sup>15</sup> / <sub>16</sub>	24 × 36 <sup>31</sup> / <sub>32</sub>
	TW2456C (4/2017 - Present)	26 <sup>11</sup> / <sub>32</sub> × 27 <sup>1</sup> / <sub>2</sub>	23 × 24 <sup>7</sup> / <sub>16</sub>	24 × 25 <sup>15</sup> / <sub>32</sub>	26 <sup>11</sup> / <sub>32</sub> × 39 <sup>5</sup> / <sub>16</sub>	23 × 35 <sup>7</sup> / <sub>16</sub>	24 × 36 <sup>15</sup> / <sub>32</sub>
	TW24510	26 <sup>11</sup> / <sub>32</sub> × 35	23 × 31 <sup>15</sup> / <sub>16</sub>	24 × 32 <sup>31</sup> / <sub>32</sub>	26 <sup>11</sup> / <sub>32</sub> × 35 <sup>13</sup> / <sub>16</sub>	23 × 31 <sup>15</sup> / <sub>16</sub>	24 × 32 <sup>31</sup> / <sub>32</sub>
	TW2462	26 <sup>11</sup> / <sub>32</sub> × 37	23 × 33 <sup>15</sup> / <sub>16</sub>	24 × 34 <sup>31</sup> / <sub>32</sub>	26 <sup>11</sup> / <sub>32</sub> × 37 <sup>13</sup> / <sub>16</sub>	23 × 33 <sup>15</sup> / <sub>16</sub>	24 × 34 <sup>31</sup> / <sub>32</sub>
TW2472	26 <sup>11</sup> / <sub>32</sub> × 43	23 × 39 <sup>15</sup> / <sub>16</sub>	24 × 40 <sup>31</sup> / <sub>32</sub>	26 <sup>11</sup> / <sub>32</sub> × 43 <sup>13</sup> / <sub>16</sub>	23 × 39 <sup>15</sup> / <sub>16</sub>	24 × 40 <sup>31</sup> / <sub>32</sub>	
TW2476	26 <sup>11</sup> / <sub>32</sub> × 45	23 × 41 <sup>15</sup> / <sub>16</sub>	24 × 42 <sup>31</sup> / <sub>32</sub>	26 <sup>11</sup> / <sub>32</sub> × 45 <sup>13</sup> / <sub>16</sub>	23 × 41 <sup>15</sup> / <sub>16</sub>	24 × 42 <sup>31</sup> / <sub>32</sub>	
<b>26</b>	TW26210	28 <sup>11</sup> / <sub>32</sub> × 17	25 × 13 <sup>15</sup> / <sub>16</sub>	26 × 14 <sup>31</sup> / <sub>32</sub>	28 <sup>11</sup> / <sub>32</sub> × 17 <sup>13</sup> / <sub>16</sub>	25 × 13 <sup>15</sup> / <sub>16</sub>	26 × 14 <sup>31</sup> / <sub>32</sub>
	TW2632	28 <sup>11</sup> / <sub>32</sub> × 19	25 × 15 <sup>15</sup> / <sub>16</sub>	26 × 16 <sup>31</sup> / <sub>32</sub>	28 <sup>11</sup> / <sub>32</sub> × 19 <sup>13</sup> / <sub>16</sub>	25 × 15 <sup>15</sup> / <sub>16</sub>	26 × 16 <sup>31</sup> / <sub>32</sub>
	TW2636	28 <sup>11</sup> / <sub>32</sub> × 21	25 × 17 <sup>15</sup> / <sub>16</sub>	26 × 18 <sup>31</sup> / <sub>32</sub>	28 <sup>11</sup> / <sub>32</sub> × 21 <sup>13</sup> / <sub>16</sub>	25 × 17 <sup>15</sup> / <sub>16</sub>	26 × 18 <sup>31</sup> / <sub>32</sub>
	TW26310 (1992 - 8/2017)	28 <sup>11</sup> / <sub>32</sub> × 23	25 × 19 <sup>15</sup> / <sub>16</sub>	26 × 20 <sup>31</sup> / <sub>32</sub>	28 <sup>11</sup> / <sub>32</sub> × 23 <sup>13</sup> / <sub>16</sub>	25 × 19 <sup>15</sup> / <sub>16</sub>	26 × 20 <sup>31</sup> / <sub>32</sub>
	TW26310 (9/2017 - Present)	28 <sup>11</sup> / <sub>32</sub> × 23 <sup>1</sup> / <sub>2</sub>	25 × 20 <sup>7</sup> / <sub>16</sub>	26 × 21 <sup>15</sup> / <sub>32</sub>	28 <sup>11</sup> / <sub>32</sub> × 23 <sup>5</sup> / <sub>16</sub>	25 × 19 <sup>7</sup> / <sub>16</sub>	26 × 20 <sup>15</sup> / <sub>32</sub>
	TW2642	28 <sup>11</sup> / <sub>32</sub> × 25	25 × 21 <sup>15</sup> / <sub>16</sub>	26 × 22 <sup>31</sup> / <sub>32</sub>	28 <sup>11</sup> / <sub>32</sub> × 25 <sup>13</sup> / <sub>16</sub>	25 × 21 <sup>15</sup> / <sub>16</sub>	26 × 22 <sup>31</sup> / <sub>32</sub>
	TW2646 (1992 - 3/2017)	28 <sup>11</sup> / <sub>32</sub> × 27	25 × 23 <sup>15</sup> / <sub>16</sub>	26 × 24 <sup>31</sup> / <sub>32</sub>	28 <sup>11</sup> / <sub>32</sub> × 27 <sup>13</sup> / <sub>16</sub>	25 × 23 <sup>15</sup> / <sub>16</sub>	26 × 24 <sup>31</sup> / <sub>32</sub>
	TW2646 (4/2017 - Present)	28 <sup>11</sup> / <sub>32</sub> × 27 <sup>1</sup> / <sub>2</sub>	25 × 24 <sup>7</sup> / <sub>16</sub>	26 × 25 <sup>15</sup> / <sub>32</sub>	28 <sup>11</sup> / <sub>32</sub> × 27 <sup>5</sup> / <sub>16</sub>	25 × 23 <sup>7</sup> / <sub>16</sub>	26 × 24 <sup>15</sup> / <sub>32</sub>
	TW26410	28 <sup>11</sup> / <sub>32</sub> × 29	25 × 25 <sup>15</sup> / <sub>16</sub>	26 × 26 <sup>31</sup> / <sub>32</sub>	28 <sup>11</sup> / <sub>32</sub> × 29 <sup>13</sup> / <sub>16</sub>	25 × 25 <sup>15</sup> / <sub>16</sub>	26 × 26 <sup>31</sup> / <sub>32</sub>
	TW2652	28 <sup>11</sup> / <sub>32</sub> × 31	25 × 27 <sup>15</sup> / <sub>16</sub>	26 × 28 <sup>31</sup> / <sub>32</sub>	28 <sup>11</sup> / <sub>32</sub> × 31 <sup>13</sup> / <sub>16</sub>	25 × 27 <sup>15</sup> / <sub>16</sub>	26 × 28 <sup>31</sup> / <sub>32</sub>
	TW2656E	28 <sup>11</sup> / <sub>32</sub> × 33	25 × 29 <sup>15</sup> / <sub>16</sub>	26 × 30 <sup>31</sup> / <sub>32</sub>	28 <sup>11</sup> / <sub>32</sub> × 32 <sup>31</sup> / <sub>32</sub>	25 × 29 <sup>15</sup> / <sub>16</sub>	26 × 30 <sup>31</sup> / <sub>32</sub>
	TW2656C (1992 - 3/2017)	28 <sup>11</sup> / <sub>32</sub> × 27	25 × 23 <sup>15</sup> / <sub>16</sub>	26 × 24 <sup>31</sup> / <sub>32</sub>	28 <sup>11</sup> / <sub>32</sub> × 39 <sup>13</sup> / <sub>16</sub>	25 × 35 <sup>15</sup> / <sub>16</sub>	26 × 36 <sup>31</sup> / <sub>32</sub>
	TW2656C (4/2017 - Present)	28 <sup>11</sup> / <sub>32</sub> × 27 <sup>1</sup> / <sub>2</sub>	25 × 24 <sup>7</sup> / <sub>16</sub>	26 × 25 <sup>15</sup> / <sub>32</sub>	28 <sup>11</sup> / <sub>32</sub> × 39 <sup>5</sup> / <sub>16</sub>	25 × 35 <sup>7</sup> / <sub>16</sub>	26 × 36 <sup>15</sup> / <sub>32</sub>
	TW26510	28 <sup>11</sup> / <sub>32</sub> × 35	25 × 31 <sup>15</sup> / <sub>16</sub>	26 × 32 <sup>31</sup> / <sub>32</sub>	28 <sup>11</sup> / <sub>32</sub> × 35 <sup>13</sup> / <sub>16</sub>	25 × 31 <sup>15</sup> / <sub>16</sub>	26 × 32 <sup>31</sup> / <sub>32</sub>
	TW2662	28 <sup>11</sup> / <sub>32</sub> × 37	25 × 33 <sup>15</sup> / <sub>16</sub>	26 × 34 <sup>31</sup> / <sub>32</sub>	28 <sup>11</sup> / <sub>32</sub> × 37 <sup>13</sup> / <sub>16</sub>	25 × 33 <sup>15</sup> / <sub>16</sub>	26 × 34 <sup>31</sup> / <sub>32</sub>
TW2672	28 <sup>11</sup> / <sub>32</sub> × 43	25 × 39 <sup>15</sup> / <sub>16</sub>	26 × 40 <sup>31</sup> / <sub>32</sub>	28 <sup>11</sup> / <sub>32</sub> × 43 <sup>13</sup> / <sub>16</sub>	25 × 39 <sup>15</sup> / <sub>16</sub>	26 × 40 <sup>31</sup> / <sub>32</sub>	
TW2676	28 <sup>11</sup> / <sub>32</sub> × 45	25 × 41 <sup>15</sup> / <sub>16</sub>	26 × 42 <sup>31</sup> / <sub>32</sub>	28 <sup>11</sup> / <sub>32</sub> × 45 <sup>13</sup> / <sub>16</sub>	25 × 41 <sup>15</sup> / <sub>16</sub>	26 × 42 <sup>31</sup> / <sub>32</sub>	

## Sash

Unit Size		Upper Sash			Lower Sash		
Unit No.	Overall Sash (w x h)	Unobstructed Glass (w x h)	Actual Glass (w x h)	Overall Sash (w x h)	Unobstructed Glass (w x h)	Actual Glass (w x h)	
<b>28</b>	TW28210	30 <sup>11</sup> / <sub>32</sub> × 17	27 × 13 <sup>15</sup> / <sub>16</sub>	28 × 14 <sup>31</sup> / <sub>32</sub>	30 <sup>11</sup> / <sub>32</sub> × 17 <sup>13</sup> / <sub>16</sub>	27 × 13 <sup>15</sup> / <sub>16</sub>	28 × 14 <sup>31</sup> / <sub>32</sub>
	TW2832	30 <sup>11</sup> / <sub>32</sub> × 19	27 × 15 <sup>15</sup> / <sub>16</sub>	28 × 16 <sup>31</sup> / <sub>32</sub>	30 <sup>11</sup> / <sub>32</sub> × 19 <sup>13</sup> / <sub>16</sub>	27 × 15 <sup>15</sup> / <sub>16</sub>	28 × 16 <sup>31</sup> / <sub>32</sub>
	TW2836	30 <sup>11</sup> / <sub>32</sub> × 21	27 × 17 <sup>15</sup> / <sub>16</sub>	28 × 18 <sup>31</sup> / <sub>32</sub>	30 <sup>11</sup> / <sub>32</sub> × 21 <sup>13</sup> / <sub>16</sub>	27 × 17 <sup>15</sup> / <sub>16</sub>	28 × 18 <sup>31</sup> / <sub>32</sub>
	TW28310 (1992 - 8/2017)	30 <sup>11</sup> / <sub>32</sub> × 23	27 × 19 <sup>15</sup> / <sub>16</sub>	28 × 20 <sup>31</sup> / <sub>32</sub>	30 <sup>11</sup> / <sub>32</sub> × 23 <sup>13</sup> / <sub>16</sub>	27 × 19 <sup>15</sup> / <sub>16</sub>	28 × 20 <sup>31</sup> / <sub>32</sub>
	TW28310 (9/2017 - Present)	30 <sup>11</sup> / <sub>32</sub> × 23 <sup>1</sup> / <sub>2</sub>	27 × 20 <sup>7</sup> / <sub>16</sub>	28 × 21 <sup>15</sup> / <sub>32</sub>	30 <sup>11</sup> / <sub>32</sub> × 23 <sup>5</sup> / <sub>16</sub>	27 × 19 <sup>7</sup> / <sub>16</sub>	28 × 20 <sup>15</sup> / <sub>32</sub>
	TW2842	30 <sup>11</sup> / <sub>32</sub> × 25	27 × 21 <sup>15</sup> / <sub>16</sub>	28 × 22 <sup>31</sup> / <sub>32</sub>	30 <sup>11</sup> / <sub>32</sub> × 25 <sup>13</sup> / <sub>16</sub>	27 × 21 <sup>15</sup> / <sub>16</sub>	28 × 22 <sup>31</sup> / <sub>32</sub>
	TW2846 (1992 - 3/2017)	30 <sup>11</sup> / <sub>32</sub> × 27	27 × 23 <sup>15</sup> / <sub>16</sub>	28 × 24 <sup>31</sup> / <sub>32</sub>	30 <sup>11</sup> / <sub>32</sub> × 27 <sup>13</sup> / <sub>16</sub>	27 × 23 <sup>15</sup> / <sub>16</sub>	28 × 24 <sup>31</sup> / <sub>32</sub>
	TW2846 (4/2017 - Present)	30 <sup>11</sup> / <sub>32</sub> × 27 <sup>1</sup> / <sub>2</sub>	27 × 24 <sup>7</sup> / <sub>16</sub>	28 × 25 <sup>15</sup> / <sub>32</sub>	30 <sup>11</sup> / <sub>32</sub> × 27 <sup>5</sup> / <sub>16</sub>	27 × 23 <sup>7</sup> / <sub>16</sub>	28 × 24 <sup>15</sup> / <sub>32</sub>
	TW28410	30 <sup>11</sup> / <sub>32</sub> × 29	27 × 25 <sup>15</sup> / <sub>16</sub>	28 × 26 <sup>31</sup> / <sub>32</sub>	30 <sup>11</sup> / <sub>32</sub> × 29 <sup>13</sup> / <sub>16</sub>	27 × 25 <sup>15</sup> / <sub>16</sub>	28 × 26 <sup>31</sup> / <sub>32</sub>
	TW2852	30 <sup>11</sup> / <sub>32</sub> × 31	27 × 27 <sup>15</sup> / <sub>16</sub>	28 × 28 <sup>31</sup> / <sub>32</sub>	30 <sup>11</sup> / <sub>32</sub> × 31 <sup>13</sup> / <sub>16</sub>	27 × 27 <sup>15</sup> / <sub>16</sub>	28 × 28 <sup>31</sup> / <sub>32</sub>
	TW 2856E	30 <sup>11</sup> / <sub>32</sub> × 33	27 × 29 <sup>15</sup> / <sub>16</sub>	28 × 30 <sup>31</sup> / <sub>32</sub>	30 <sup>11</sup> / <sub>32</sub> × 32 <sup>31</sup> / <sub>32</sub>	27 × 29 <sup>15</sup> / <sub>16</sub>	28 × 30 <sup>31</sup> / <sub>32</sub>
	TW2856C (1992 - 3/2017)	30 <sup>11</sup> / <sub>32</sub> × 27	27 × 23 <sup>15</sup> / <sub>16</sub>	28 × 24 <sup>31</sup> / <sub>32</sub>	30 <sup>11</sup> / <sub>32</sub> × 39 <sup>13</sup> / <sub>16</sub>	27 × 35 <sup>15</sup> / <sub>16</sub>	28 × 36 <sup>31</sup> / <sub>32</sub>
	TW2856C (4/2017 - Present)	30 <sup>11</sup> / <sub>32</sub> × 27 <sup>1</sup> / <sub>2</sub>	27 × 24 <sup>7</sup> / <sub>16</sub>	28 × 25 <sup>15</sup> / <sub>32</sub>	30 <sup>11</sup> / <sub>32</sub> × 39 <sup>5</sup> / <sub>16</sub>	27 × 35 <sup>7</sup> / <sub>16</sub>	28 × 36 <sup>15</sup> / <sub>32</sub>
	TW28510	30 <sup>11</sup> / <sub>32</sub> × 35	27 × 31 <sup>15</sup> / <sub>16</sub>	28 × 32 <sup>31</sup> / <sub>32</sub>	30 <sup>11</sup> / <sub>32</sub> × 35 <sup>13</sup> / <sub>16</sub>	27 × 31 <sup>15</sup> / <sub>16</sub>	28 × 32 <sup>31</sup> / <sub>32</sub>
	TW2862	30 <sup>11</sup> / <sub>32</sub> × 37	27 × 33 <sup>15</sup> / <sub>16</sub>	28 × 34 <sup>31</sup> / <sub>32</sub>	30 <sup>11</sup> / <sub>32</sub> × 37 <sup>13</sup> / <sub>16</sub>	27 × 33 <sup>15</sup> / <sub>16</sub>	28 × 34 <sup>31</sup> / <sub>32</sub>
TW2872	30 <sup>11</sup> / <sub>32</sub> × 43	27 × 39 <sup>15</sup> / <sub>16</sub>	28 × 40 <sup>31</sup> / <sub>32</sub>	30 <sup>11</sup> / <sub>32</sub> × 43 <sup>13</sup> / <sub>16</sub>	27 × 39 <sup>15</sup> / <sub>16</sub>	28 × 40 <sup>31</sup> / <sub>32</sub>	
TW2876	30 <sup>11</sup> / <sub>32</sub> × 45	27 × 41 <sup>15</sup> / <sub>16</sub>	28 × 42 <sup>31</sup> / <sub>32</sub>	30 <sup>11</sup> / <sub>32</sub> × 45 <sup>13</sup> / <sub>16</sub>	27 × 41 <sup>15</sup> / <sub>16</sub>	28 × 42 <sup>31</sup> / <sub>32</sub>	
<b>210</b>	TW210210	32 <sup>11</sup> / <sub>32</sub> × 17	29 × 13 <sup>15</sup> / <sub>16</sub>	30 × 14 <sup>31</sup> / <sub>32</sub>	32 <sup>11</sup> / <sub>32</sub> × 17 <sup>13</sup> / <sub>16</sub>	29 × 13 <sup>15</sup> / <sub>16</sub>	30 × 14 <sup>31</sup> / <sub>32</sub>
	TW21032	32 <sup>11</sup> / <sub>32</sub> × 19	29 × 15 <sup>15</sup> / <sub>16</sub>	30 × 16 <sup>31</sup> / <sub>32</sub>	32 <sup>11</sup> / <sub>32</sub> × 19 <sup>13</sup> / <sub>16</sub>	29 × 15 <sup>15</sup> / <sub>16</sub>	30 × 16 <sup>31</sup> / <sub>32</sub>
	TW21036	32 <sup>11</sup> / <sub>32</sub> × 21	29 × 17 <sup>15</sup> / <sub>16</sub>	30 × 18 <sup>31</sup> / <sub>32</sub>	32 <sup>11</sup> / <sub>32</sub> × 21 <sup>13</sup> / <sub>16</sub>	29 × 17 <sup>15</sup> / <sub>16</sub>	30 × 18 <sup>31</sup> / <sub>32</sub>
	TW210310 (1992 - 8/2017)	32 <sup>11</sup> / <sub>32</sub> × 23	29 × 19 <sup>15</sup> / <sub>16</sub>	30 × 20 <sup>31</sup> / <sub>32</sub>	32 <sup>11</sup> / <sub>32</sub> × 23 <sup>13</sup> / <sub>16</sub>	29 × 19 <sup>15</sup> / <sub>16</sub>	30 × 20 <sup>31</sup> / <sub>32</sub>
	TW210310 (9/2017 - Present)	32 <sup>11</sup> / <sub>32</sub> × 23 <sup>1</sup> / <sub>2</sub>	29 × 20 <sup>7</sup> / <sub>16</sub>	30 × 21 <sup>15</sup> / <sub>32</sub>	32 <sup>11</sup> / <sub>32</sub> × 23 <sup>5</sup> / <sub>16</sub>	29 × 19 <sup>7</sup> / <sub>16</sub>	30 × 20 <sup>15</sup> / <sub>32</sub>
	TW21042	32 <sup>11</sup> / <sub>32</sub> × 25	29 × 21 <sup>15</sup> / <sub>16</sub>	30 × 22 <sup>31</sup> / <sub>32</sub>	32 <sup>11</sup> / <sub>32</sub> × 25 <sup>13</sup> / <sub>16</sub>	29 × 21 <sup>15</sup> / <sub>16</sub>	30 × 22 <sup>31</sup> / <sub>32</sub>
	TW21046 (1992 - 3/2017)	32 <sup>11</sup> / <sub>32</sub> × 27	29 × 23 <sup>15</sup> / <sub>16</sub>	30 × 24 <sup>31</sup> / <sub>32</sub>	32 <sup>11</sup> / <sub>32</sub> × 27 <sup>13</sup> / <sub>16</sub>	29 × 23 <sup>15</sup> / <sub>16</sub>	30 × 24 <sup>31</sup> / <sub>32</sub>
	TW21046 (4/2017 - Present)	32 <sup>11</sup> / <sub>32</sub> × 27 <sup>1</sup> / <sub>2</sub>	29 × 24 <sup>7</sup> / <sub>16</sub>	30 × 25 <sup>15</sup> / <sub>32</sub>	32 <sup>11</sup> / <sub>32</sub> × 27 <sup>5</sup> / <sub>16</sub>	29 × 23 <sup>7</sup> / <sub>16</sub>	30 × 24 <sup>15</sup> / <sub>32</sub>
	TW210410	32 <sup>11</sup> / <sub>32</sub> × 29	29 × 25 <sup>15</sup> / <sub>16</sub>	30 × 26 <sup>31</sup> / <sub>32</sub>	32 <sup>11</sup> / <sub>32</sub> × 29 <sup>13</sup> / <sub>16</sub>	29 × 25 <sup>15</sup> / <sub>16</sub>	30 × 26 <sup>31</sup> / <sub>32</sub>
	TW21052	32 <sup>11</sup> / <sub>32</sub> × 31	29 × 27 <sup>15</sup> / <sub>16</sub>	30 × 28 <sup>31</sup> / <sub>32</sub>	32 <sup>11</sup> / <sub>32</sub> × 31 <sup>13</sup> / <sub>16</sub>	29 × 27 <sup>15</sup> / <sub>16</sub>	30 × 28 <sup>31</sup> / <sub>32</sub>
	TW21056E	32 <sup>11</sup> / <sub>32</sub> × 33	29 × 29 <sup>15</sup> / <sub>16</sub>	30 × 30 <sup>31</sup> / <sub>32</sub>	32 <sup>11</sup> / <sub>32</sub> × 32 <sup>31</sup> / <sub>32</sub>	29 × 29 <sup>15</sup> / <sub>16</sub>	30 × 30 <sup>31</sup> / <sub>32</sub>
	TW21056C (1992 - 3/2017)	32 <sup>11</sup> / <sub>32</sub> × 27	29 × 23 <sup>15</sup> / <sub>16</sub>	30 × 24 <sup>31</sup> / <sub>32</sub>	32 <sup>11</sup> / <sub>32</sub> × 39 <sup>13</sup> / <sub>16</sub>	29 × 35 <sup>15</sup> / <sub>16</sub>	30 × 36 <sup>31</sup> / <sub>32</sub>
	TW21056C (4/2017 - Present)	32 <sup>11</sup> / <sub>32</sub> × 27 <sup>1</sup> / <sub>2</sub>	29 × 24 <sup>7</sup> / <sub>16</sub>	30 × 25 <sup>15</sup> / <sub>32</sub>	32 <sup>11</sup> / <sub>32</sub> × 39 <sup>5</sup> / <sub>16</sub>	29 × 35 <sup>7</sup> / <sub>16</sub>	30 × 36 <sup>15</sup> / <sub>32</sub>
	TW210510	32 <sup>11</sup> / <sub>32</sub> × 35	29 × 31 <sup>15</sup> / <sub>16</sub>	30 × 32 <sup>31</sup> / <sub>32</sub>	32 <sup>11</sup> / <sub>32</sub> × 35 <sup>13</sup> / <sub>16</sub>	29 × 31 <sup>15</sup> / <sub>16</sub>	30 × 32 <sup>31</sup> / <sub>32</sub>
	TW21062	32 <sup>11</sup> / <sub>32</sub> × 37	29 × 33 <sup>15</sup> / <sub>16</sub>	30 × 34 <sup>31</sup> / <sub>32</sub>	32 <sup>11</sup> / <sub>32</sub> × 37 <sup>13</sup> / <sub>16</sub>	29 × 33 <sup>15</sup> / <sub>16</sub>	30 × 34 <sup>31</sup> / <sub>32</sub>
TW21072	32 <sup>11</sup> / <sub>32</sub> × 43	29 × 39 <sup>15</sup> / <sub>16</sub>	30 × 40 <sup>31</sup> / <sub>32</sub>	32 <sup>11</sup> / <sub>32</sub> × 43 <sup>13</sup> / <sub>16</sub>	29 × 39 <sup>15</sup> / <sub>16</sub>	30 × 40 <sup>31</sup> / <sub>32</sub>	
TW21076	32 <sup>11</sup> / <sub>32</sub> × 45	29 × 41 <sup>15</sup> / <sub>16</sub>	30 × 42 <sup>31</sup> / <sub>32</sub>	32 <sup>11</sup> / <sub>32</sub> × 45 <sup>13</sup> / <sub>16</sub>	29 × 41 <sup>15</sup> / <sub>16</sub>	30 × 42 <sup>31</sup> / <sub>32</sub>	



# 400 Series Tilt-Wash (TW) Windows (1992 to Present)

Standard Windows

## Sash

Unit Size		Upper Sash			Lower Sash		
Unit No.	Overall Sash (w x h)	Unobstructed Glass (w x h)	Actual Glass (w x h)	Overall Sash (w x h)	Unobstructed Glass (w x h)	Actual Glass (w x h)	
<b>30</b>	TW30210	34 <sup>11</sup> / <sub>32</sub> × 17	31 × 13 <sup>15</sup> / <sub>16</sub>	32 × 14 <sup>31</sup> / <sub>32</sub>	34 <sup>11</sup> / <sub>32</sub> × 17 <sup>13</sup> / <sub>16</sub>	31 × 13 <sup>15</sup> / <sub>16</sub>	32 × 14 <sup>31</sup> / <sub>32</sub>
	TW3032	34 <sup>11</sup> / <sub>32</sub> × 19	31 × 15 <sup>15</sup> / <sub>16</sub>	32 × 16 <sup>31</sup> / <sub>32</sub>	34 <sup>11</sup> / <sub>32</sub> × 19 <sup>13</sup> / <sub>16</sub>	31 × 15 <sup>15</sup> / <sub>16</sub>	32 × 16 <sup>31</sup> / <sub>32</sub>
	TW3036	34 <sup>11</sup> / <sub>32</sub> × 21	31 × 17 <sup>15</sup> / <sub>16</sub>	32 × 18 <sup>31</sup> / <sub>32</sub>	34 <sup>11</sup> / <sub>32</sub> × 21 <sup>13</sup> / <sub>16</sub>	31 × 17 <sup>15</sup> / <sub>16</sub>	32 × 18 <sup>31</sup> / <sub>32</sub>
	TW30310 (1992 - 8/2017)	34 <sup>11</sup> / <sub>32</sub> × 23	31 × 19 <sup>15</sup> / <sub>16</sub>	32 × 20 <sup>31</sup> / <sub>32</sub>	34 <sup>11</sup> / <sub>32</sub> × 23 <sup>13</sup> / <sub>16</sub>	31 × 19 <sup>15</sup> / <sub>16</sub>	32 × 20 <sup>31</sup> / <sub>32</sub>
	TW30310 (9/2017 - Present)	34 <sup>11</sup> / <sub>32</sub> × 23 <sup>1</sup> / <sub>2</sub>	31 × 20 <sup>7</sup> / <sub>16</sub>	32 × 21 <sup>15</sup> / <sub>32</sub>	34 <sup>11</sup> / <sub>32</sub> × 23 <sup>5</sup> / <sub>16</sub>	31 × 19 <sup>7</sup> / <sub>16</sub>	32 × 20 <sup>15</sup> / <sub>32</sub>
	TW3042	34 <sup>11</sup> / <sub>32</sub> × 25	31 × 21 <sup>15</sup> / <sub>16</sub>	32 × 22 <sup>31</sup> / <sub>32</sub>	34 <sup>11</sup> / <sub>32</sub> × 25 <sup>13</sup> / <sub>16</sub>	31 × 21 <sup>15</sup> / <sub>16</sub>	32 × 22 <sup>31</sup> / <sub>32</sub>
	TW3046 (1992 - 3/2017)	34 <sup>11</sup> / <sub>32</sub> × 27	31 × 23 <sup>15</sup> / <sub>16</sub>	32 × 24 <sup>31</sup> / <sub>32</sub>	34 <sup>11</sup> / <sub>32</sub> × 27 <sup>13</sup> / <sub>16</sub>	31 × 23 <sup>15</sup> / <sub>16</sub>	32 × 24 <sup>31</sup> / <sub>32</sub>
	TW3046 (4/2017 - Present)	34 <sup>11</sup> / <sub>32</sub> × 27 <sup>1</sup> / <sub>2</sub>	31 × 24 <sup>7</sup> / <sub>16</sub>	32 × 25 <sup>15</sup> / <sub>32</sub>	34 <sup>11</sup> / <sub>32</sub> × 27 <sup>5</sup> / <sub>16</sub>	31 × 23 <sup>7</sup> / <sub>16</sub>	32 × 24 <sup>15</sup> / <sub>32</sub>
	TW30410	34 <sup>11</sup> / <sub>32</sub> × 29	31 × 25 <sup>15</sup> / <sub>16</sub>	32 × 26 <sup>31</sup> / <sub>32</sub>	34 <sup>11</sup> / <sub>32</sub> × 29 <sup>13</sup> / <sub>16</sub>	31 × 25 <sup>15</sup> / <sub>16</sub>	32 × 26 <sup>31</sup> / <sub>32</sub>
	TW3052	34 <sup>11</sup> / <sub>32</sub> × 31	31 × 27 <sup>15</sup> / <sub>16</sub>	32 × 28 <sup>31</sup> / <sub>32</sub>	34 <sup>11</sup> / <sub>32</sub> × 31 <sup>11</sup> / <sub>64</sub>	31 × 27 <sup>15</sup> / <sub>16</sub>	32 × 28 <sup>31</sup> / <sub>32</sub>
	TW3056E	34 <sup>11</sup> / <sub>32</sub> × 33	31 × 29 <sup>15</sup> / <sub>16</sub>	32 × 30 <sup>31</sup> / <sub>32</sub>	34 <sup>11</sup> / <sub>32</sub> × 32 <sup>31</sup> / <sub>32</sub>	31 × 29 <sup>15</sup> / <sub>16</sub>	32 × 30 <sup>31</sup> / <sub>32</sub>
	TW3056C (1992 - 3/2017)	34 <sup>11</sup> / <sub>32</sub> × 27	31 × 23 <sup>15</sup> / <sub>16</sub>	32 × 24 <sup>31</sup> / <sub>32</sub>	34 <sup>11</sup> / <sub>32</sub> × 39 <sup>13</sup> / <sub>16</sub>	31 × 35 <sup>15</sup> / <sub>16</sub>	32 × 36 <sup>31</sup> / <sub>32</sub>
	TW3056C (4/2017 - Present)	34 <sup>11</sup> / <sub>32</sub> × 27 <sup>1</sup> / <sub>2</sub>	31 × 24 <sup>7</sup> / <sub>16</sub>	32 × 25 <sup>15</sup> / <sub>32</sub>	34 <sup>11</sup> / <sub>32</sub> × 39 <sup>5</sup> / <sub>16</sub>	31 × 35 <sup>7</sup> / <sub>16</sub>	32 × 36 <sup>15</sup> / <sub>32</sub>
	TW30510	34 <sup>11</sup> / <sub>32</sub> × 35	31 × 31 <sup>15</sup> / <sub>16</sub>	32 × 32 <sup>31</sup> / <sub>32</sub>	34 <sup>11</sup> / <sub>32</sub> × 35 <sup>13</sup> / <sub>64</sub>	31 × 31 <sup>15</sup> / <sub>16</sub>	32 × 32 <sup>31</sup> / <sub>32</sub>
	TW3062	34 <sup>11</sup> / <sub>32</sub> × 37	31 × 33 <sup>15</sup> / <sub>16</sub>	32 × 34 <sup>31</sup> / <sub>32</sub>	34 <sup>11</sup> / <sub>32</sub> × 37 <sup>13</sup> / <sub>16</sub>	31 × 33 <sup>15</sup> / <sub>16</sub>	32 × 34 <sup>31</sup> / <sub>32</sub>
	TW3072	34 <sup>11</sup> / <sub>32</sub> × 43	31 × 39 <sup>15</sup> / <sub>16</sub>	32 × 40 <sup>31</sup> / <sub>32</sub>	34 <sup>11</sup> / <sub>32</sub> × 43 <sup>13</sup> / <sub>64</sub>	31 × 39 <sup>15</sup> / <sub>16</sub>	32 × 40 <sup>31</sup> / <sub>32</sub>
TW3076	34 <sup>11</sup> / <sub>32</sub> × 45	31 × 41 <sup>15</sup> / <sub>16</sub>	32 × 42 <sup>31</sup> / <sub>32</sub>	34 <sup>11</sup> / <sub>32</sub> × 45 <sup>13</sup> / <sub>16</sub>	31 × 41 <sup>15</sup> / <sub>16</sub>	32 × 42 <sup>31</sup> / <sub>32</sub>	
<b>34</b>	TW34210	38 <sup>11</sup> / <sub>32</sub> × 17	35 × 13 <sup>15</sup> / <sub>16</sub>	36 × 14 <sup>31</sup> / <sub>32</sub>	38 <sup>11</sup> / <sub>32</sub> × 17 <sup>13</sup> / <sub>16</sub>	35 × 13 <sup>15</sup> / <sub>16</sub>	36 × 14 <sup>31</sup> / <sub>32</sub>
	TW3432	38 <sup>11</sup> / <sub>32</sub> × 19	35 × 15 <sup>15</sup> / <sub>16</sub>	36 × 16 <sup>31</sup> / <sub>32</sub>	38 <sup>11</sup> / <sub>32</sub> × 19 <sup>13</sup> / <sub>16</sub>	35 × 15 <sup>15</sup> / <sub>16</sub>	36 × 16 <sup>31</sup> / <sub>32</sub>
	TW3436	38 <sup>11</sup> / <sub>32</sub> × 21	35 × 17 <sup>15</sup> / <sub>16</sub>	36 × 18 <sup>31</sup> / <sub>32</sub>	38 <sup>11</sup> / <sub>32</sub> × 21 <sup>13</sup> / <sub>16</sub>	35 × 17 <sup>15</sup> / <sub>16</sub>	36 × 18 <sup>31</sup> / <sub>32</sub>
	TW34310 (1992 - 8/2017)	38 <sup>11</sup> / <sub>32</sub> × 23	35 × 19 <sup>15</sup> / <sub>16</sub>	36 × 20 <sup>31</sup> / <sub>32</sub>	38 <sup>11</sup> / <sub>32</sub> × 23 <sup>13</sup> / <sub>16</sub>	35 × 19 <sup>15</sup> / <sub>16</sub>	36 × 20 <sup>31</sup> / <sub>32</sub>
	TW34310 (9/2017 - Present)	38 <sup>11</sup> / <sub>32</sub> × 23 <sup>1</sup> / <sub>2</sub>	35 × 20 <sup>7</sup> / <sub>16</sub>	36 × 21 <sup>15</sup> / <sub>32</sub>	38 <sup>11</sup> / <sub>32</sub> × 23 <sup>5</sup> / <sub>16</sub>	35 × 19 <sup>7</sup> / <sub>16</sub>	36 × 20 <sup>15</sup> / <sub>32</sub>
	TW3442	38 <sup>11</sup> / <sub>32</sub> × 25	35 × 21 <sup>15</sup> / <sub>16</sub>	36 × 22 <sup>31</sup> / <sub>32</sub>	38 <sup>11</sup> / <sub>32</sub> × 25 <sup>13</sup> / <sub>16</sub>	35 × 21 <sup>15</sup> / <sub>16</sub>	36 × 22 <sup>31</sup> / <sub>32</sub>
	TW3446 (1992 - 3/2017)	38 <sup>11</sup> / <sub>32</sub> × 27	35 × 23 <sup>15</sup> / <sub>16</sub>	36 × 24 <sup>31</sup> / <sub>32</sub>	38 <sup>11</sup> / <sub>32</sub> × 27 <sup>13</sup> / <sub>16</sub>	35 × 23 <sup>15</sup> / <sub>16</sub>	36 × 24 <sup>31</sup> / <sub>32</sub>
	TW3446 (4/2017 - Present)	38 <sup>11</sup> / <sub>32</sub> × 27 <sup>1</sup> / <sub>2</sub>	35 × 24 <sup>7</sup> / <sub>16</sub>	36 × 25 <sup>15</sup> / <sub>32</sub>	38 <sup>11</sup> / <sub>32</sub> × 27 <sup>5</sup> / <sub>16</sub>	35 × 23 <sup>7</sup> / <sub>16</sub>	36 × 24 <sup>15</sup> / <sub>32</sub>
	TW34410	38 <sup>11</sup> / <sub>32</sub> × 29	35 × 25 <sup>15</sup> / <sub>16</sub>	36 × 26 <sup>31</sup> / <sub>32</sub>	38 <sup>11</sup> / <sub>32</sub> × 29 <sup>13</sup> / <sub>16</sub>	35 × 25 <sup>15</sup> / <sub>16</sub>	36 × 26 <sup>31</sup> / <sub>32</sub>
	TW3452	38 <sup>11</sup> / <sub>32</sub> × 31	35 × 27 <sup>15</sup> / <sub>16</sub>	36 × 28 <sup>31</sup> / <sub>32</sub>	38 <sup>11</sup> / <sub>32</sub> × 31 <sup>13</sup> / <sub>64</sub>	35 × 27 <sup>15</sup> / <sub>16</sub>	36 × 28 <sup>31</sup> / <sub>32</sub>
	TW3456E	38 <sup>11</sup> / <sub>32</sub> × 33	35 × 29 <sup>15</sup> / <sub>16</sub>	36 × 30 <sup>31</sup> / <sub>32</sub>	38 <sup>11</sup> / <sub>32</sub> × 33 <sup>1</sup> / <sub>64</sub>	35 × 29 <sup>15</sup> / <sub>16</sub>	36 × 30 <sup>31</sup> / <sub>32</sub>
	TW3456C (1992 - 3/2017)	38 <sup>11</sup> / <sub>32</sub> × 27	35 × 23 <sup>15</sup> / <sub>16</sub>	36 × 24 <sup>31</sup> / <sub>32</sub>	38 <sup>11</sup> / <sub>32</sub> × 39 <sup>13</sup> / <sub>16</sub>	35 × 35 <sup>15</sup> / <sub>16</sub>	36 × 36 <sup>31</sup> / <sub>32</sub>
	TW3456C (4/2017 - Present)	38 <sup>11</sup> / <sub>32</sub> × 27 <sup>1</sup> / <sub>2</sub>	35 × 24 <sup>7</sup> / <sub>16</sub>	36 × 25 <sup>15</sup> / <sub>32</sub>	38 <sup>11</sup> / <sub>32</sub> × 39 <sup>5</sup> / <sub>16</sub>	35 × 35 <sup>7</sup> / <sub>16</sub>	36 × 36 <sup>15</sup> / <sub>32</sub>
	TW34510	38 <sup>11</sup> / <sub>32</sub> × 35	35 × 31 <sup>15</sup> / <sub>16</sub>	36 × 32 <sup>31</sup> / <sub>32</sub>	38 <sup>11</sup> / <sub>32</sub> × 35 <sup>13</sup> / <sub>16</sub>	35 × 31 <sup>15</sup> / <sub>16</sub>	36 × 32 <sup>31</sup> / <sub>32</sub>
	TW3462	38 <sup>11</sup> / <sub>32</sub> × 37	35 × 33 <sup>15</sup> / <sub>16</sub>	36 × 34 <sup>31</sup> / <sub>32</sub>	38 <sup>11</sup> / <sub>32</sub> × 37 <sup>13</sup> / <sub>64</sub>	35 × 33 <sup>15</sup> / <sub>16</sub>	36 × 34 <sup>31</sup> / <sub>32</sub>
	TW3472	38 <sup>11</sup> / <sub>32</sub> × 43	35 × 39 <sup>15</sup> / <sub>16</sub>	36 × 40 <sup>31</sup> / <sub>32</sub>	38 <sup>11</sup> / <sub>32</sub> × 43 <sup>13</sup> / <sub>16</sub>	35 × 39 <sup>15</sup> / <sub>16</sub>	36 × 40 <sup>31</sup> / <sub>32</sub>
TW3476	38 <sup>11</sup> / <sub>32</sub> × 45	35 × 41 <sup>15</sup> / <sub>16</sub>	36 × 42 <sup>31</sup> / <sub>32</sub>	38 <sup>11</sup> / <sub>32</sub> × 45 <sup>13</sup> / <sub>64</sub>	35 × 41 <sup>15</sup> / <sub>16</sub>	36 × 42 <sup>31</sup> / <sub>32</sub>	

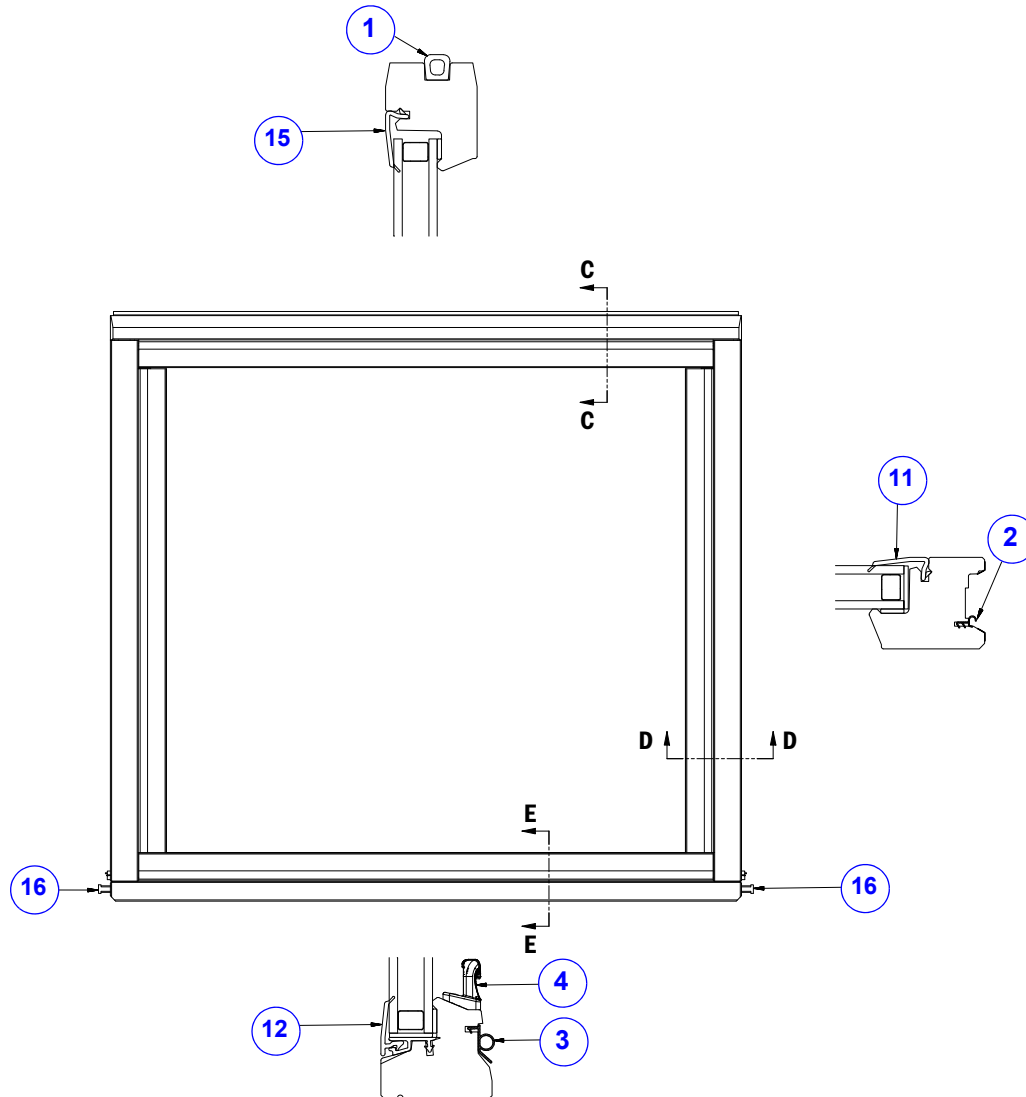
## Sash

Unit Size		Upper Sash			Lower Sash		
Unit No.	Overall Sash (w x h)	Unobstructed Glass (w x h)	Actual Glass (w x h)	Overall Sash (w x h)	Unobstructed Glass (w x h)	Actual Glass (w x h)	
<b>38</b>	TW38210	42 <sup>11</sup> / <sub>32</sub> × 17	39 × 13 <sup>15</sup> / <sub>16</sub>	40 × 14 <sup>31</sup> / <sub>32</sub>	42 <sup>11</sup> / <sub>32</sub> × 17 <sup>13</sup> / <sub>16</sub>	39 × 13 <sup>15</sup> / <sub>16</sub>	40 × 14 <sup>31</sup> / <sub>32</sub>
	TW3832	42 <sup>11</sup> / <sub>32</sub> × 19	39 × 15 <sup>15</sup> / <sub>16</sub>	40 × 16 <sup>31</sup> / <sub>32</sub>	42 <sup>11</sup> / <sub>32</sub> × 19 <sup>13</sup> / <sub>16</sub>	39 × 15 <sup>15</sup> / <sub>16</sub>	40 × 16 <sup>31</sup> / <sub>32</sub>
	TW3836	42 <sup>11</sup> / <sub>32</sub> × 21	39 × 17 <sup>15</sup> / <sub>16</sub>	40 × 18 <sup>31</sup> / <sub>32</sub>	42 <sup>11</sup> / <sub>32</sub> × 21 <sup>13</sup> / <sub>16</sub>	39 × 17 <sup>15</sup> / <sub>16</sub>	40 × 18 <sup>31</sup> / <sub>32</sub>
	TW38310 (1992 - 8/2017)	42 <sup>11</sup> / <sub>32</sub> × 23	39 × 19 <sup>15</sup> / <sub>16</sub>	40 × 20 <sup>31</sup> / <sub>32</sub>	42 <sup>11</sup> / <sub>32</sub> × 23 <sup>13</sup> / <sub>16</sub>	39 × 19 <sup>15</sup> / <sub>16</sub>	40 × 20 <sup>31</sup> / <sub>32</sub>
	TW38310 (9/2017 - Present)	42 <sup>11</sup> / <sub>32</sub> × 23 <sup>1</sup> / <sub>2</sub>	39 × 20 <sup>7</sup> / <sub>16</sub>	40 × 21 <sup>15</sup> / <sub>32</sub>	42 <sup>11</sup> / <sub>32</sub> × 23 <sup>5</sup> / <sub>16</sub>	39 × 19 <sup>7</sup> / <sub>16</sub>	40 × 20 <sup>15</sup> / <sub>32</sub>
	TW3842	42 <sup>11</sup> / <sub>32</sub> × 25	39 × 21 <sup>15</sup> / <sub>16</sub>	40 × 22 <sup>31</sup> / <sub>32</sub>	42 <sup>11</sup> / <sub>32</sub> × 25 <sup>13</sup> / <sub>16</sub>	39 × 21 <sup>15</sup> / <sub>16</sub>	40 × 22 <sup>31</sup> / <sub>32</sub>
	TW3846 (1992 - 3/2017)	42 <sup>11</sup> / <sub>32</sub> × 27	39 × 23 <sup>15</sup> / <sub>16</sub>	40 × 24 <sup>31</sup> / <sub>32</sub>	42 <sup>11</sup> / <sub>32</sub> × 27 <sup>13</sup> / <sub>16</sub>	39 × 23 <sup>15</sup> / <sub>16</sub>	40 × 24 <sup>31</sup> / <sub>32</sub>
	TW3846 (4/2017 - Present)	42 <sup>11</sup> / <sub>32</sub> × 27 <sup>1</sup> / <sub>2</sub>	39 × 24 <sup>7</sup> / <sub>16</sub>	40 × 25 <sup>15</sup> / <sub>32</sub>	42 <sup>11</sup> / <sub>32</sub> × 27 <sup>5</sup> / <sub>16</sub>	39 × 23 <sup>7</sup> / <sub>16</sub>	40 × 24 <sup>15</sup> / <sub>32</sub>
	TW38410	42 <sup>11</sup> / <sub>32</sub> × 29	39 × 25 <sup>15</sup> / <sub>16</sub>	40 × 26 <sup>31</sup> / <sub>32</sub>	42 <sup>11</sup> / <sub>32</sub> × 29 <sup>13</sup> / <sub>16</sub>	39 × 25 <sup>15</sup> / <sub>16</sub>	40 × 26 <sup>31</sup> / <sub>32</sub>
	TW3852	42 <sup>11</sup> / <sub>32</sub> × 31	39 × 27 <sup>15</sup> / <sub>16</sub>	40 × 28 <sup>31</sup> / <sub>32</sub>	42 <sup>11</sup> / <sub>32</sub> × 31 <sup>13</sup> / <sub>16</sub>	39 × 27 <sup>15</sup> / <sub>16</sub>	40 × 28 <sup>31</sup> / <sub>32</sub>
	TW3856E	42 <sup>11</sup> / <sub>32</sub> × 33	39 × 29 <sup>15</sup> / <sub>16</sub>	40 × 30 <sup>31</sup> / <sub>32</sub>	42 <sup>11</sup> / <sub>32</sub> × 33 <sup>1</sup> / <sub>64</sub>	39 × 29 <sup>15</sup> / <sub>16</sub>	40 × 30 <sup>31</sup> / <sub>32</sub>
	TW3856C (1992 - 3/2017)	42 <sup>11</sup> / <sub>32</sub> × 27	39 × 23 <sup>15</sup> / <sub>16</sub>	40 × 24 <sup>31</sup> / <sub>32</sub>	42 <sup>11</sup> / <sub>32</sub> × 39 <sup>13</sup> / <sub>16</sub>	39 × 35 <sup>15</sup> / <sub>16</sub>	40 × 36 <sup>31</sup> / <sub>32</sub>
	TW3856C (4/2017 - Present)	42 <sup>11</sup> / <sub>32</sub> × 27 <sup>1</sup> / <sub>2</sub>	39 × 24 <sup>7</sup> / <sub>16</sub>	40 × 25 <sup>15</sup> / <sub>32</sub>	42 <sup>11</sup> / <sub>32</sub> × 39 <sup>5</sup> / <sub>16</sub>	39 × 35 <sup>7</sup> / <sub>16</sub>	40 × 36 <sup>15</sup> / <sub>32</sub>
	TW38510	42 <sup>11</sup> / <sub>32</sub> × 35	39 × 31 <sup>15</sup> / <sub>16</sub>	40 × 32 <sup>31</sup> / <sub>32</sub>	42 <sup>11</sup> / <sub>32</sub> × 35 <sup>13</sup> / <sub>16</sub>	39 × 31 <sup>15</sup> / <sub>16</sub>	40 × 32 <sup>31</sup> / <sub>32</sub>
	TW3862	42 <sup>11</sup> / <sub>32</sub> × 37	39 × 33 <sup>15</sup> / <sub>16</sub>	40 × 34 <sup>31</sup> / <sub>32</sub>	42 <sup>11</sup> / <sub>32</sub> × 37 <sup>13</sup> / <sub>16</sub>	39 × 33 <sup>15</sup> / <sub>16</sub>	40 × 34 <sup>31</sup> / <sub>32</sub>
	TW3872	42 <sup>11</sup> / <sub>32</sub> × 43	39 × 39 <sup>15</sup> / <sub>16</sub>	40 × 40 <sup>31</sup> / <sub>32</sub>	42 <sup>11</sup> / <sub>32</sub> × 43 <sup>13</sup> / <sub>16</sub>	39 × 39 <sup>15</sup> / <sub>16</sub>	40 × 40 <sup>31</sup> / <sub>32</sub>
TW3876	42 <sup>11</sup> / <sub>32</sub> × 45	39 × 41 <sup>15</sup> / <sub>16</sub>	40 × 42 <sup>31</sup> / <sub>32</sub>	42 <sup>11</sup> / <sub>32</sub> × 45 <sup>13</sup> / <sub>16</sub>	39 × 41 <sup>15</sup> / <sub>16</sub>	40 × 42 <sup>31</sup> / <sub>32</sub>	

### Sash Graphic - Upper

**Note:**

See latest [Product Details](#).



- |  |   |
|--|---|
| 1. <a href="#">Top Rail Weatherstrip</a>   | 10. <a href="#">Grille Grommets</a> (Not shown)   |
| 2. <a href="#">Stile Weatherstrip</a>      | 11. <a href="#">Stile Glazing Bead</a>            |
| 3. <a href="#">Check Rail Weatherstrip</a> | 12. <a href="#">Check Rail Vinyl Glazing Bead</a> |
| 4. <a href="#">Lock Keeper</a>             | 13. Check Rail Bead Liner                         |
| 6. Top Rail                                | 14. Silicone Glazing                              |
| 7. Right Stile                             | 15. <a href="#">Top Rail Glazing Bead</a>         |
| 8. Left Stile                              | 16. <a href="#">Pivot Pin</a>                     |
| 9. Check Rail                              |   |

### Tilt-Wash (DC) and Tilt-Wash II (TW) Upper Sash

*Sash viewed from exterior*

## Sash

### Sash - Upper / No Grommets

Prior to 4/2012



4/2012 to present



4/2012 to 10/2015



#### Note:

Use logo information etched in glass to **identify** glazing type. When using/ordering for Conversion Kits the 310 and 46 sizes are **not** impacted by design changes made in 2017.

Sash with route out for factory installed opening control device (stone, white, black) available by description. Order [Opening Control Device](#) separately.

**After** April 2012, glass was etched with 2.2 or 3.0 in logo for High Performance, HP Sun, HP Smart Sun and HP Passive Sun glazings. Etched with 2.2 shown below or 3.0 on [page 57](#).

**Before** April 2012, glass was **not** etched with 2.2 or 3.0 in logo for High Performance, HP Sun, HP Smart Sun and HP Passive Sun glazings. No etching in glass uses 2.2 glass shown below.

Finelight and Full Divided Light Glass use 2.2.

Sash height dimensions changed in 2017. 310 and 46 sizes **not** impacted by design changes made to 400 TW sash in 2017.

**After** March 2017:

- 46 upper **increased** by 1/2" (Part numbers for both vintages are shown in charts below)
- 56 Reverse Cottage upper **increased** by 1/2" (Not part numbered for both vintages available as configured items)

**After** August 2017:

- 310 upper **increased** by 1/2" (Part numbers for both vintages are shown in charts below)

Sash ships with [Service Guide 0005177](#). See [Sash Replacement Video](#).

# 400 Series Tilt-Wash (TW) Windows (1992 to Present)

Standard Windows

## Sash

### Sash - Upper / High-Performance / Natural Wood Interior / 2.2 / No Grommets

#### Sash - Upper / High-Performance-Low-E4® / Natural Wood Interior / 2.2 / No Grommets 5/2010 - Present

**Note:**

Use as replacement sash for HP glazing. Sash being **replaced** prior to April of 2012 **will not** have 2.2 etching in glass. Sash being **replaced** after April 2012 **will** have 2.2 etching in glass. Sash with **route out** for factory installed opening control device (stone, white, black) available by description. Order [Opening Control Device](#) separately.



	Unit No.	White	Terratone®	Sandtone	Forest Green
18	TW18210	9035923	9036521	9035147	OBD
	TW1832	9035924	9036522	9035148	OBD
	TW1836	9036069	OBD	OBD	OBD
	TW18310 (5/2010 - 8/2017)	9035925	9036523	9035149	9034958
	TW18310 (9/2017 - Present)	9169039	9169095	9168946	9168922
	TW1842	9035926	9036524	9035150	OBD
	TW1846 (5/2010 - 3/2017)	9035927	9036525	9035151	9034959
	TW1846 (4/2017 - Present)	9159714	9159648	9159623	9159599
	TW18410	9036070	OBD	OBD	OBD
	TW1852	9035928	9036526	9035152	OBD
	TW1856E	9036414	OBD	OBD	OBD
	TW18510	9036071	OBD	OBD	OBD
	TW1862	9035929	9036527	9035153	OBD
20	TW20210	9035930	9036528	9035154	9034960
	TW2032	9035931	9036529	9035155	9034961
	TW2036	9036072	OBD	OBD	OBD
	TW20310 (5/2010 - 8/2017)	9035932	9036530	9035156	9034962
	TW20310 (9/2017 - Present)	9169040	9169096	9168947	9168923
	TW2042	9035933	9036531	9035157	9034963
	TW2046 (5/2010 - 3/2017)	9035934	9036532	9035158	9034964
	TW2046 (4/2017 - Present)	9159715	9159649	9159624	9159600
	TW20410	9036073	OBD	OBD	OBD
	TW2052	9035935	9036533	9035159	9034965
	TW2056	9036415	9036671	9035106	9035067
	TW20510	9036074	OBD	OBD	OBD
	TW2062	9035936	9036534	9035160	OBD

## Sash

### Sash - Upper / High-Performance / Natural Wood Interior / 2.2 / No Grommets

#### Sash - Upper / High-Performance-Low-E4® / Natural Wood Interior / 2.2 / No Grommets 5/2010 - Present

**Note:**

Use as replacement sash for HP glazing. Sash being **replaced** prior to April of 2012 **will not** have 2.2 etching in glass. Sash being **replaced** after April 2012 **will** have 2.2 etching in glass. Sash with **route out** for factory installed opening control device (stone, white, black) available by description. Order [Opening Control Device](#) separately.



Unit No.		White	Terratone®	Sandtone	Forest Green
<b>24</b>	TW24210	9035937	9036535	9035161	9034966
	TW2432	9035938	9036536	9035162	9034967
	TW2436	9036075	9036458	9035088	9035050
	TW24310 (5/2010 - 8/2017)	9035939	9036537	9035163	9034968
	TW24310 (9/2017 - Present)	9169041	9169097	9168948	9168924
	TW2442	9035940	9036538	9035164	9034969
	TW2446 (5/2010 - 3/2017)	9035941	9036539	9035165	9034970
	TW2446 (4/2017 - Present)	9159716	9159650	9159625	9159601
	TW24410	9036076	9036459	9035089	9035051
	TW2452	9035942	9036540	9035166	OBD
	TW2456E	9036416	9036672	9035107	OBD
	TW24510	9036077	OBD	OBD	OBD
TW2462	9035943	9036541	9035167	OBD	
<b>26</b>	TW26210	9036078	OBD	OBD	OBD
	TW2632	9036079	9036460	9035090	9035052
	TW2636	9036080	OBD	OBD	OBD
	TW26310 (5/2010 - 8/2017)	9036081	9036461	9035091	9035053
	TW24310 (9/2017 - Present)	9169060	9169085	9168939	9168935
	TW2642	9036082	9036462	9035092	9035054
	TW2646 (5/2010 - 3/2017)	9036083	9036463	9035093	9035055
	TW2646 (4/2017 - Present)	9159721	9159646	9159621	9159617
	TW26410	9036084	9036464	9035094	9035056
	TW2652	9036085	OBD	OBD	OBD
	TW2656E	9036432	OBD	OBD	OBD
	TW26510	9036086	OBD	OBD	OBD
TW2662	9036087	OBD	OBD	OBD	

# 400 Series Tilt-Wash (TW) Windows (1992 to Present)

Standard Windows

## Sash

### Sash - Upper / High-Performance / Natural Wood Interior / 2.2 / No Grommets

#### Sash - Upper / High-Performance-Low-E4® / Natural Wood Interior / 2.2 / No Grommets 5/2010 - Present

**Note:**

Use as replacement sash for HP glazing. Sash being **replaced** prior to April of 2012 **will not** have 2.2 etching in glass. Sash being **replaced** after April 2012 **will** have 2.2 etching in glass. Sash with **route out** for factory installed opening control device (stone, white, black) available by description. Order [Opening Control Device](#) separately.



	Unit No.	White	Terratone®	Sandtone	Forest Green
<b>28</b>	TW28210	9035944	9036542	9035168	9034971
	TW2832	9035945	9036543	9035169	9034972
	TW2836	9036088	9036465	9035095	9035057
	TW28310 <i>(5/2010 - 8/2017)</i>	9035946	9036544	9035170	9034973
	TW28310 <i>(9/2017 - Present)</i>	9169042	9169098	9168949	9168925
	TW2842	9035947	9036545	9035171	9034974
	TW2846 <i>(5/2010 - 3/2017)</i>	9035948	9036546	9035172	9034975
	TW2846 <i>(4/2017 - Present)</i>	9159717	9159651	9159626	9159602
	TW28410	9036089	9036466	9035096	9035058
	TW2852	9035949	9036547	9035173	9034976
	TW2856E	9036417	9036673	9035108	9035068
	TW28510	9036090	OBD	OBD	OBD
TW2862	9035950	9036548	9035174	9034977	
<b>210</b>	TW210210	9036091	9036467	9035097	9035059
	TW21032	9036092	9036468	9035098	9035060
	TW21036	9036093	9036469	9035099	9035061
	TW210310 <i>(5/2010 - 8/2017)</i>	9036094	9036470	9035100	9035062
	TW210310 <i>(9/2017 - Present)</i>	9169061	9169086	9168940	9168936
	TW21042	9036095	9036471	9035101	9035063
	TW21046 <i>(5/2010 - 3/2017)</i>	9036096	9036472	9035102	9035064
	TW21046 <i>(4/2017 - Present)</i>	9159722	9159647	9159622	9159618
	TW210410	9036097	OBD	OBD	OBD
	TW21052	9036098	9036473	9035103	9035065
	TW21056E	9036433	OBD	OBD	OBD
	TW210510	9036099	OBD	OBD	OBD
	TW21062	9036100	OBD	OBD	OBD

## Sash

### Sash - Upper / High-Performance / Natural Wood Interior / 2.2 / No Grommets

#### Sash - Upper / High-Performance-Low-E4® / Natural Wood Interior / 2.2 / No Grommets 5/2010 - Present

**Note:**

Use as replacement sash for HP glazing. Sash being **replaced** prior to April of 2012 **will not** have 2.2 etching in glass. Sash being **replaced** after April 2012 **will** have 2.2 etching in glass. Sash with **route out** for factory installed opening control device (stone, white, black) available by description. Order [Opening Control Device](#) separately.



Unit No.	White	Terratone®	Sandtone	Forest Green	
<b>30</b>	TW30210	9035951	9036549	9035175	9034978
	TW3032	9035952	9036550	9035176	9034979
	TW3036	9036101	OBD	OBD	OBD
	TW30310 (5/2010 - 8/2017)	9035953	9036551	9035177	9034980
	TW30310 (9/2017 - Present)	9169043	9169099	9168950	9168926
	TW3042	9035954	9036552	9035178	9034981
	TW3046 (5/2010 - 3/2017)	9035955	9036553	9035179	9034982
	TW3046 (4/2017 - Present)	9159718	9159652	9159627	9159603
	TW30410	9036102	9036474	9035104	9035066
	TW3052	9035956	9036554	9035180	9034983
	TW3056E	9036418	9036674	9035109	OBD
	TW30510	9036103	OBD	OBD	OBD
TW3062	9035957	9036555	9035181	9034984	
<b>34</b>	TW34210	9035958	9036556	9035182	OBD
	TW3432	9035959	9036557	9035183	9034985
	TW3436	9036104	OBD	OBD	OBD
	TW34310 (5/2010 - 8/2017)	9035960	9036558	9035184	OBD
	TW34310 (9/2017 - Present)	9169044	9169100	9168951	OBD
	TW3442	9035961	9036559	9035185	9034986
	TW3446 (5/2010 - 3/2017)	9035962	9036560	9035186	9034987
	TW3446 (4/2017 - Present)	9159719	9159653	9159628	9159604
	TW34410	9036105	OBD	OBD	OBD
	TW3452	9035963	9036561	9035187	OBD
	TW3456E	9036419	OBD	9035110	9035069
	TW34510	9036106	OBD	OBD	OBD
TW3462	9035964	9036562	9035188	9034988	



# 400 Series Tilt-Wash (TW) Windows (1992 to Present)

Standard Windows

## Sash

### Sash - Upper / High-Performance / Natural Wood Interior / 2.2 / No Grommets

#### Sash - Upper / High-Performance-Low-E4® / Natural Wood Interior / 2.2 / No Grommets 5/2010 - Present

**Note:**

Use as replacement sash for HP glazing. Sash being **replaced** prior to April of 2012 **will not** have 2.2 etching in glass. Sash being **replaced** after April 2012 **will** have 2.2 etching in glass. Sash with **route out** for factory installed opening control device (stone, white, black) available by description. Order [Opening Control Device](#) separately.



Unit No.		White	Terratone®	Sandtone	Forest Green
38	TW38210	9035965	9036563	9035189	9034989
	TW3832	9035966	9036564	9035190	OBD
	TW3836	9036107	OBD	OBD	OBD
	TW38310 (5/2010 - 8/2017)	9035967	9036565	9035191	OBD
	TW38310 (9/2017 - Present)	9169045	9169101	9168952	OBD
	TW3842	9035968	9036566	9035192	OBD
	TW3846 (5/2010 - 3/2017)	9035969	9036567	9035193	9034990
	TW3846 (4/2017 - Present)	9159720	9159654	9159629	9159605
	TW38410	9036108	OBD	OBD	OBD
	TW3852	9035970	9036568	9035194	OBD
	TW3856E	9036420	9036675	9035111	OBD
	TW38510	9036109	OBD	OBD	OBD
TW3862	9035971	9036569	9035195	OBD	

## Sash

### Sash - Upper / High-Performance / Prefinished Interior / 2.2 / No Grommets

#### Sash - Upper / High-Performance-Low-E4® / Prefinished Interior / 2.2 / No Grommets (5/2010 - Present)

**Note:**

Use as replacement sash for HP glazing. Sash being **replaced** prior to April of 2012 **will not** have 2.2 etching in glass. Sash being **replaced** after April 2012 **will** have 2.2 etching in glass. Sash with **route out** for factory installed opening control device (stone, white, black) available by description. Order [Opening Control Device](#) separately.



	Unit No.	White	Terratone®	Sandtone	Forest Green
18	TW18210	9035972	By description	By description	By description
	TW1832	9035973	By description	By description	By description
	TW1836	9036179	By description	By description	By description
	TW18310 (5/2010 - 8/2017)	9035974	By description	By description	By description
	TW18310 (9/2017 - Present)	9169046	By description	By description	By description
	TW1842	9035975	By description	By description	By description
	TW1846 (5/2010 - 3/2017)	9035976	By description	By description	By description
	TW1846 (4/2017 - Present)	9159740	By description	By description	By description
	TW18410	9036180	By description	By description	By description
	TW1852	9035977	By description	By description	By description
	TW1856E	9036421	By description	By description	By description
	TW18510	9036181	By description	By description	By description
TW1862	9035978	By description	By description	By description	
20	TW20210	9035979	By description	By description	By description
	TW2032	9035980	By description	By description	By description
	TW2036	9036182	By description	By description	By description
	TW20310 (5/2010 - 8/2017)	9035981	By description	By description	By description
	TW20310 (9/2017 - Present)	9169047	By description	By description	By description
	TW2042	9035982	By description	By description	By description
	TW2046 (5/2010 - 3/2017)	9035983	By description	By description	By description
	TW2046 (4/2017 - Present)	9159741	By description	By description	By description
	TW20410	9036183	By description	By description	By description
	TW2052	9035984	By description	By description	By description
	TW2056E	9036422	By description	By description	By description
	TW20510	9036184	By description	By description	By description
TW2062	9035985	By description	By description	By description	

# 400 Series Tilt-Wash (TW) Windows (1992 to Present)

Standard Windows

## Sash

### Sash - Upper / High-Performance / Prefinished Interior / 2.2 / No Grommets

#### Sash - Upper / High-Performance-Low-E4® / Prefinished Interior / 2.2 / No Grommets (5/2010 - Present)

**Note:**

Use as replacement sash for HP glazing. Sash being **replaced** prior to April of 2012 **will not** have 2.2 etching in glass. Sash being **replaced** after April 2012 **will** have 2.2 etching in glass. Sash with **route out** for factory installed opening control device (stone, white, black) available by description. Order [Opening Control Device](#) separately.



	Unit No.	White	Terratone®	Sandtone	Forest Green
<b>24</b>	TW24210	9035986	By description	By description	By description
	TW2432	9035987	By description	By description	By description
	TW2436	9036185	By description	By description	By description
	TW24310 <i>(5/2010 - 8/2017)</i>	9035988	By description	By description	By description
	TW24310 <i>(9/2017 - Present)</i>	9169048	By description	By description	By description
	TW2442	9035989	By description	By description	By description
	TW2446 <i>(5/2010 - 3/2017)</i>	9035990	By description	By description	By description
	TW2446 <i>(4/2017 - Present)</i>	9159742	By description	By description	By description
	TW24410	9036186	By description	By description	By description
	TW2452	9035991	By description	By description	By description
	TW2456E	9036423	By description	By description	By description
	TW24510	9036187	By description	By description	By description
TW2462	9035992	By description	By description	By description	
<b>26</b>	TW26210	9036188	By description	By description	By description
	TW2632	9036189	By description	By description	By description
	TW2636	9036190	By description	By description	By description
	TW26310 <i>(5/2010 - 8/2017)</i>	9036191	By description	By description	By description
	TW26310 <i>(9/2017 - Present)</i>	9169074	By description	By description	By description
	TW2642	9036192	By description	By description	By description
	TW2646 <i>(5/2010 - 3/2017)</i>	9036193	By description	By description	By description
	TW2646 <i>(4/2017 - Present)</i>	9159747	By description	By description	By description
	TW26410	9036194	By description	By description	By description
	TW2652	9036195	By description	By description	By description
	TW2656E	9036436	By description	By description	By description
	TW26510	9036196	By description	By description	By description
TW2662	9036197	By description	By description	By description	

## Sash

### Sash - Upper / High-Performance / Prefinished Interior / 2.2 / No Grommets

#### Sash - Upper / High-Performance-Low-E4® / Prefinished Interior / 2.2 / No Grommets (5/2010 - Present)

**Note:**

Use as replacement sash for HP glazing. Sash being **replaced** prior to April of 2012 **will not** have 2.2 etching in glass. Sash being **replaced** after April 2012 **will** have 2.2 etching in glass. Sash with **route out** for factory installed opening control device (stone, white, black) available by description. Order [Opening Control Device](#) separately.



Unit No.		White	Terratone®	Sandtone	Forest Green
28	TW28210	9035993	By description	By description	By description
	TW2832	9035994	By description	By description	By description
	TW2836	9036198	By description	By description	By description
	TW28310 (5/2010 - 8/2017)	9035995	By description	By description	By description
	TW28310 (9/2017 - Present)	9169049	By description	By description	By description
	TW2842	9035996	By description	By description	By description
	TW2846 (5/2010 - 3/2017)	9035997	By description	By description	By description
	TW2846 (4/2017 - Present)	9159743	By description	By description	By description
	TW28410	9036199	By description	By description	By description
	TW2852	9035998	By description	By description	By description
	TW2856E	9036424	By description	By description	By description
	TW28510	9036200	By description	By description	By description
TW2862	9035999	By description	By description	By description	
210	TW210210	9036201	By description	By description	By description
	TW21032	9036202	By description	By description	By description
	TW21036	9036203	By description	By description	By description
	TW210310 (5/2010 - 8/2017)	9036204	By description	By description	By description
	TW210310 (9/2017 - Present)	9169075	By description	By description	By description
	TW21042	9036205	By description	By description	By description
	TW21046 (5/2010 - 3/2017)	9036206	By description	By description	By description
	TW21046 (4/2017 - Present)	9159748	By description	By description	By description
	TW210410	9036207	By description	By description	By description
	TW21052	9036208	By description	By description	By description
	TW21056E	9036437	By description	By description	By description
	TW210510	9036209	By description	By description	By description
TW21062	9036210	By description	By description	By description	

# 400 Series Tilt-Wash (TW) Windows (1992 to Present)

Standard Windows

## Sash

### Sash - Upper / High-Performance / Prefinished Interior / 2.2 / No Grommets

#### Sash - Upper / High-Performance-Low-E4® / Prefinished Interior / 2.2 / No Grommets (5/2010 - Present)

**Note:**

Use as replacement sash for HP glazing. Sash being **replaced** prior to April of 2012 **will not** have 2.2 etching in glass. Sash being **replaced** after April 2012 **will** have 2.2 etching in glass. Sash with **route out** for factory installed opening control device (stone, white, black) available by description. Order [Opening Control Device](#) separately.



Unit No.	White	Terratone®	Sandtone	Forest Green
<b>30</b>	TW30210	9036000	By description	By description
	TW3032	9036001	By description	By description
	TW3036	9036211	By description	By description
	TW30310 (5/2010 - 8/2017)	9036002	By description	By description
	TW30310 (9/2017 - Present)	9169050	By description	By description
	TW3042	9036003	By description	By description
	TW3046 (5/2010 - 3/2017)	9036004	By description	By description
	TW3046 (4/2017 - Present)	9159744	By description	By description
	TW30410	9036212	By description	By description
	TW3052	9036005	By description	By description
	TW3056E	9036425	By description	By description
	TW30510	9036213	By description	By description
TW3062	9036006	By description	By description	
<b>34</b>	TW34210	9036007	By description	By description
	TW3432	9036008	By description	By description
	TW3436	9036214	By description	By description
	TW34310 (5/2010 - 8/2017)	9036009	By description	By description
	TW34310 (9/2017 - Present)	9169051	By description	By description
	TW3442	9036010	By description	By description
	TW3446 (5/2010 - 3/2017)	9036011	By description	By description
	TW3446 (4/2017 - Present)	9159745	By description	By description
	TW34410	9036215	By description	By description
	TW3452	9036012	By description	By description
	TW3456E	9036426	By description	By description
	TW34510	9036216	By description	By description
TW3462	9036013	By description	By description	

## Sash

### Sash - Upper / High-Performance / Prefinished Interior / 2.2 / No Grommets

#### Sash - Upper / High-Performance-Low-E4® / Prefinished Interior / 2.2 / No Grommets (5/2010 - Present)

**Note:**

Use as replacement sash for HP glazing. Sash being **replaced** prior to April of 2012 **will not** have 2.2 etching in glass. Sash being **replaced** after April 2012 **will** have 2.2 etching in glass. Sash with **route out** for factory installed opening control device (stone, white, black) available by description. Order [Opening Control Device](#) separately.



	Unit No.	White	Terratone®	Sandtone	Forest Green
<b>38</b>	TW38210	9036014	By description	By description	By description
	TW3832	9036015	By description	By description	By description
	TW3836	9036217	By description	By description	By description
	TW38310 (5/2010 - 8/2017)	9036016	By description	By description	By description
	TW38310 (9/2017 - Present)	9169052	By description	By description	By description
	TW3842	9036017	By description	By description	By description
	TW3846 (5/2010 - 3/2017)	9036018	By description	By description	By description
	TW3846 (4/2017 - Present)	9159746	By description	By description	By description
	TW38410	9036218	By description	By description	By description
	TW3852	9036019	By description	By description	By description
	TW3856E	9036427	By description	By description	By description
	TW38510	9036219	By description	By description	By description
	TW3862	9036020	By description	By description	By description

# 400 Series Tilt-Wash (TW) Windows (1992 to Present)

Standard Windows

## Sash

### Sash - Upper / High-Performance Sun / Natural Wood Interior / 2.2 / No Grommets

#### Sash - Upper / High-Performance-Low-E4® Sun / Natural Wood Interior / 2.2 / No Grommets (5/2010 - Present)

**Note:**

Use as replacement sash for HP Sun glazing. Sash being **replaced** prior to April of 2012 **will not** have 2.2 etching in glass. Sash being **replaced** after April 2012 **will** have 2.2 etching in glass. Sash with **route out** for factory installed opening control device (stone, white, black) available by description. Order [Opening Control Device](#) separately.



	Unit No.	White	Terratone®	Sandtone	Forest Green
18	TW18210	OBD	OBD	9035305	OBD
	TW1832	OBD	OBD	OBD	OBD
	TW1836	OBD	OBD	OBD	OBD
	TW18310 <i>(5/2010 - 8/2017)</i>	9036110	OBD	OBD	OBD
	TW18310 <i>(9/2017 - Present)</i>	9169062	OBD	OBD	OBD
	TW1842	9036111	OBD	OBD	OBD
	TW1846 <i>(5/2010 - 3/2017)</i>	9036112	9036626	OBD	OBD
	TW1846 <i>(4/2017 - Present)</i>	9159857	9159831	OBD	OBD
	TW18410	OBD	OBD	OBD	OBD
	TW1852	OBD	OBD	OBD	OBD
	TW1856E	OBD	OBD	OBD	OBD
	TW18510	OBD	OBD	OBD	OBD
	TW1862	OBD	OBD	OBD	OBD
20	TW20210	9036113	9036627	OBD	OBD
	TW2032	9036114	OBD	OBD	OBD
	TW2036	OBD	OBD	OBD	OBD
	TW20310 <i>(5/2010 - 8/2017)</i>	9036115	9036628	9035306	OBD
	TW20310 <i>(9/2017 - Present)</i>	9169063	9169109	9168967	OBD
	TW2042	9036116	9036629	OBD	OBD
	TW2046 <i>(5/2010 - 3/2017)</i>	OBD	OBD	9035307	OBD
	TW2046 <i>(4/2017 - Present)</i>	OBD	OBD	9159827	OBD
	TW20410	OBD	OBD	OBD	OBD
	TW2052	9036117	9036630	OBD	OBD
	TW2056E	OBD	OBD	OBD	OBD
	TW20510	OBD	OBD	OBD	OBD
	TW2062	9036118	OBD	OBD	OBD

## Sash

### Sash - Upper / High-Performance Sun / Natural Wood Interior / 2.2 / No Grommets

#### Sash - Upper / High-Performance-Low-E4® Sun / Natural Wood Interior / 2.2 / No Grommets (5/2010 - Present)

**Note:**

Use as replacement sash for HP Sun glazing. Sash being **replaced** prior to April of 2012 **will not** have 2.2 etching in glass. Sash being **replaced** after April 2012 **will** have 2.2 etching in glass. Sash with **route out** for factory installed opening control device (stone, white, black) available by description. Order [Opening Control Device](#) separately.



Unit No.	White	Terratone®	Sandtone	Forest Green	
<b>24</b>	TW24210	9036119	OBD	9035308	OBD
	TW2432	9036120	9036631	9035309	OBD
	TW2436	OBD	OBD	OBD	OBD
	TW24310 (5/2010 - 8/2017)	9036121	OBD	9035310	OBD
	TW24310 (9/2017 - Present)	9169064	OBD	9168968	OBD
	TW2442	OBD	9036632	9035311	OBD
	TW2446 (5/2010 - 3/2017)	9036122	9036633	9035312	OBD
	TW2446 (4/2017 - Present)	9159858	9159832	9159828	OBD
	TW24410	OBD	OBD	OBD	OBD
	TW2452	9036123	9036634	OBD	OBD
	TW2456E	OBD	OBD	9035122	OBD
	TW24510	OBD	OBD	OBD	OBD
TW2462	9036124	OBD	OBD	OBD	
<b>26</b>	TW26210	OBD	OBD	OBD	OBD
	TW2632	OBD	OBD	OBD	OBD
	TW2636	OBD	OBD	OBD	OBD
	TW26310 (5/2010 - 8/2017)	OBD	OBD	OBD	OBD
	TW26310 (9/2017 - Present)	OBD	OBD	OBD	OBD
	TW2642	OBD	OBD	OBD	OBD
	TW2646 (5/2010 - 3/2017)	OBD	OBD	OBD	OBD
	TW2646 (4/2017 - Present)	OBD	OBD	OBD	OBD
	TW26410	OBD	OBD	OBD	OBD
	TW2652	OBD	OBD	OBD	OBD
	TW2656E	OBD	OBD	OBD	OBD
	TW26510	OBD	OBD	OBD	OBD
TW2662	OBD	OBD	OBD	OBD	



# 400 Series Tilt-Wash (TW) Windows (1992 to Present)

Standard Windows

## Sash

### Sash - Upper / High-Performance Sun / Natural Wood Interior / 2.2 / No Grommets

#### Sash - Upper / High-Performance-Low-E4® Sun / Natural Wood Interior / 2.2 / No Grommets (5/2010 - Present)

**Note:**

Use as replacement sash for HP Sun glazing. Sash being **replaced** prior to April of 2012 **will not** have 2.2 etching in glass. Sash being **replaced** after April 2012 **will** have 2.2 etching in glass. Sash with **route out** for factory installed opening control device (stone, white, black) available by description. Order [Opening Control Device](#) separately.



	Unit No.	White	Terratone®	Sandtone	Forest Green
<b>28</b>	TW28210	9036125	OBD	OBD	OBD
	TW2832	9036126	OBD	OBD	OBD
	TW2836	OBD	OBD	OBD	OBD
	TW28310 (5/2010 - 8/2017)	9036127	OBD	9035313	OBD
	TW28310 (9/2017 - Present)	9169065	OBD	9168969	OBD
	TW2842	9036128	OBD	OBD	OBD
	TW2846 (5/2010 - 3/2017)	9036129	9036635	9035314	OBD
	TW2846 (4/2017 - Present)	9159859	9159833	9159829	OBD
	TW28410	OBD	OBD	OBD	OBD
	TW2852	9036130	9036636	9035315	OBD
	TW2856E	OBD	OBD	9035123	OBD
	TW28510	OBD	OBD	OBD	OBD
TW2862	9036131	9036637	9035316	OBD	
<b>210</b>	TW210210	OBD	OBD	OBD	OBD
	TW21032	OBD	OBD	OBD	OBD
	TW21036	OBD	OBD	OBD	OBD
	TW210310 (5/2010 - 8/2017)	OBD	OBD	OBD	OBD
	TW210310 (9/2017 - Present)	OBD	OBD	OBD	OBD
	TW21042	OBD	OBD	OBD	OBD
	TW21046 (5/2010 - 3/2017)	OBD	OBD	OBD	OBD
	TW21046 (4/2017 - Present)	OBD	OBD	OBD	OBD
	TW210410	OBD	OBD	OBD	OBD
	TW21052	OBD	OBD	OBD	OBD
	TW21056E	OBD	OBD	OBD	OBD
	TW210510	OBD	OBD	OBD	OBD
	TW21062	OBD	OBD	OBD	OBD

## Sash

### Sash - Upper / High-Performance Sun / Natural Wood Interior / 2.2 / No Grommets

#### Sash - Upper / High-Performance-Low-E4® Sun / Natural Wood Interior / 2.2 / No Grommets (5/2010 - Present)

**Note:**

Use as replacement sash for HP Sun glazing. Sash being **replaced** prior to April of 2012 **will not** have 2.2 etching in glass. Sash being **replaced** after April 2012 **will** have 2.2 etching in glass. Sash with **route out** for factory installed opening control device (stone, white, black) available by description. Order [Opening Control Device](#) separately.



Unit No.	White	Terratone®	Sandtone	Forest Green	
<b>30</b>	TW30210	9036132	OBD	OBD	
	TW3032	9036133	OBD	OBD	
	TW3036	OBD	OBD	OBD	
	TW30310 (5/2010 - 8/2017)	9036134	9036638	9035317	OBD
	TW30310 (9/2017 - Present)	9169066	9169110	9168970	OBD
	TW3042	9036135	OBD	9035318	OBD
	TW3046 (5/2010 - 3/2017)	9036136	9036639	9035319	OBD
	TW3046 (4/2017 - Present)	9159860	9159834	9159830	OBD
	TW30410	OBD	OBD	OBD	OBD
	TW3052	9036137	OBD	9035320	OBD
	TW3056E	OBD	OBD	OBD	OBD
	TW30510	OBD	OBD	OBD	OBD
TW3062	9036138	9036640	9035321	OBD	
<b>34</b>	TW34210	9036139	9036641	OBD	OBD
	TW3432	9036140	OBD	OBD	OBD
	TW3436	OBD	OBD	OBD	OBD
	TW34310 (5/2010 - 8/2017)	9036141	OBD	OBD	OBD
	TW34310 (9/2017 - Present)	9169067	OBD	OBD	OBD
	TW3442	9036142	9036642	OBD	OBD
	TW3446 (5/2010 - 3/2017)	9036143	OBD	OBD	OBD
	TW3446 (4/2017 - Present)	9159861	OBD	OBD	OBD
	TW34410	OBD	OBD	OBD	OBD
	TW3452	OBD	OBD	OBD	OBD
	TW3456E	9036434	OBD	OBD	OBD
	TW34510	OBD	OBD	OBD	OBD
TW3462	OBD	OBD	OBD	OBD	

# 400 Series Tilt-Wash (TW) Windows (1992 to Present)

Standard Windows

## Sash

### Sash - Upper / High-Performance Sun / Natural Wood Interior / 2.2 / No Grommets

### Sash - Upper / High-Performance-Low-E4® Sun / Natural Wood Interior / 2.2 / No Grommets (5/2010 - Present)

**Note:**

Use as replacement sash for HP Sun glazing. Sash being **replaced** prior to April of 2012 **will not** have 2.2 etching in glass. Sash being **replaced** after April 2012 **will** have 2.2 etching in glass. Sash with **route out** for factory installed opening control device (stone, white, black) available by description. Order [Opening Control Device](#) separately.



Unit No.	White	Terratone®	Sandtone	Forest Green
<b>38</b> TW38210	OBD	OBD	OBD	OBD
TW3832	OBD	9036643	OBD	OBD
TW3836	OBD	OBD	OBD	OBD
TW38310 (5/2010 - 8/2017)	OBD	9036644	OBD	OBD
TW38310 (9/2017 - Present)	OBD	9169111	OBD	OBD
TW3842	OBD	OBD	9035322	OBD
TW3846 (5/2010 - 3/2017)	9036144	9036645	OBD	OBD
TW3846 (4/2017 - Present)	9159862	9159835	OBD	OBD
TW38410	OBD	OBD	OBD	OBD
TW3852	OBD	OBD	OBD	OBD
TW3856E	OBD	OBD	OBD	OBD
TW38510	OBD	OBD	OBD	OBD
TW3862	9036145	OBD	OBD	OBD

## Sash

### Sash - Upper / High-Performance Sun / Prefinished Interior / 2.2 / No Grommets

### Sash - Upper / High-Performance-Low-E4® Sun / Prefinished Interior / 2.2 / No Grommets (5/2010 - Present)

**Note:**

Use as replacement sash for HP Sun glazing. Sash being **replaced** prior to April of 2012 **will not** have 2.2 etching in glass. Sash being **replaced** after April 2012 **will** have 2.2 etching in glass. Sash with **route out** for factory installed opening control device (stone, white, black) available by description. Order [Opening Control Device](#) separately.



Unit No.	White	Terratone®	Sandtone	Forest Green
18	TW18210	OBD	OBD	OBD
	TW1832	9036146	OBD	OBD
	TW1836	OBD	OBD	OBD
	TW18310 (5/2010 - 8/2017)	9036147	OBD	OBD
	TW18310 (9/2017 - Present)	9169068	OBD	OBD
	TW1842	9036148	OBD	OBD
	TW1846 (5/2010 - 3/2017)	9036149	OBD	OBD
	TW1846 (4/2017 - Present)	9159871	OBD	OBD
	TW18410	OBD	OBD	OBD
	TW1852	OBD	OBD	OBD
	TW1856E	OBD	OBD	OBD
	TW18510	OBD	OBD	OBD
TW1862	OBD	OBD	OBD	
20	TW20210	9036150	OBD	OBD
	TW2032	9036151	OBD	OBD
	TW2036	OBD	OBD	OBD
	TW20310 (5/2010 - 8/2017)	9036152	OBD	OBD
	TW20310 (9/2017 - Present)	9169069	OBD	OBD
	TW2042	9036153	OBD	OBD
	TW2046 (5/2010 - 3/2017)	OBD	OBD	OBD
	TW2046 (4/2017 - Present)	OBD	OBD	OBD
	TW20410	OBD	OBD	OBD
	TW2052	9036154	OBD	OBD
	TW2056E	OBD	OBD	OBD
	TW20510	OBD	OBD	OBD
TW2062	9036155	OBD	OBD	

# 400 Series Tilt-Wash (TW) Windows (1992 to Present)

Standard Windows

## Sash

### Sash - Upper / High-Performance Sun / Prefinished Interior / 2.2 / No Grommets

#### Sash - Upper / High-Performance-Low-E4® Sun / Prefinished Interior / 2.2 / No Grommets (5/2010 - Present)

**Note:**

Use as replacement sash for HP Sun glazing. Sash being **replaced** prior to April of 2012 **will not** have 2.2 etching in glass. Sash being **replaced** after April 2012 **will** have 2.2 etching in glass. Sash with **route out** for factory installed opening control device (stone, white, black) available by description. Order [Opening Control Device](#) separately.



	Unit No.	White	Terratone®	Sandtone	Forest Green
<b>24</b>	TW24210	9036156	OBD	OBD	OBD
	TW2432	9036157	OBD	OBD	OBD
	TW2436	OBD	OBD	OBD	OBD
	TW24310 <i>(5/2010 - 8/2017)</i>	9036158	OBD	OBD	OBD
	TW24310 <i>(9/2017 - Present)</i>	9169070	OBD	OBD	OBD
	TW2442	9036159	OBD	OBD	OBD
	TW2446 <i>(5/2010 - 3/2017)</i>	9036160	OBD	OBD	OBD
	TW2446 <i>(4/2017 - Present)</i>		OBD	OBD	OBD
	TW24410	OBD	OBD	OBD	OBD
	TW2452	9036161	OBD	OBD	OBD
	TW2456E	OBD	OBD	OBD	OBD
	TW24510	OBD	OBD	OBD	OBD
TW2462	OBD	OBD	OBD	OBD	
<b>26</b>	TW26210	OBD	OBD	OBD	OBD
	TW2632	OBD	OBD	OBD	OBD
	TW2636	OBD	OBD	OBD	OBD
	TW26310 <i>(5/2010 - 8/2017)</i>	OBD	OBD	OBD	OBD
	TW26310 <i>(9/2017 - Present)</i>	OBD	OBD	OBD	OBD
	TW2642	OBD	OBD	OBD	OBD
	TW2646 <i>(5/2010 - 3/2017)</i>	OBD	OBD	OBD	OBD
	TW2646 <i>(4/2017 - Present)</i>	9159872	OBD	OBD	OBD
	TW26410	OBD	OBD	OBD	OBD
	TW2652	OBD	OBD	OBD	OBD
	TW2656E	OBD	OBD	OBD	OBD
	TW26510	OBD	OBD	OBD	OBD
TW2662	OBD	OBD	OBD	OBD	

## Sash

### Sash - Upper / High-Performance Sun / Prefinished Interior / 2.2 / No Grommets

#### Sash - Upper / High-Performance-Low-E4® Sun / Prefinished Interior / 2.2 / No Grommets (5/2010 - Present)

**Note:**

Use as replacement sash for HP Sun glazing. Sash being **replaced** prior to April of 2012 **will not** have 2.2 etching in glass. Sash being **replaced** after April 2012 **will** have 2.2 etching in glass. Sash with **route out** for factory installed opening control device (stone, white, black) available by description. Order [Opening Control Device](#) separately.



Unit No.	White	Terratone®	Sandtone	Forest Green
<b>28</b>	TW28210	9036162	OBD	OBD
	TW2832	9036163	OBD	OBD
	TW2836	OBD	OBD	OBD
	TW28310 (5/2010 - 8/2017)	9036164	OBD	OBD
	TW28310 (9/2017 - Present)	9169071	OBD	OBD
	TW2842	9036165	OBD	OBD
	TW2846 (5/2010 - 3/2017)	9036166	OBD	OBD
	TW2846 (4/2017 - Present)	9159873	OBD	OBD
	TW28410	OBD	OBD	OBD
	TW2852	9036167	OBD	OBD
	TW2856E	OBD	OBD	OBD
	TW28510	OBD	OBD	OBD
	TW2862	9036168	OBD	OBD
<b>210</b>	TW210210	OBD	OBD	OBD
	TW21032	OBD	OBD	OBD
	TW21036	OBD	OBD	OBD
	TW210310 (5/2010 - 8/2017)	OBD	OBD	OBD
	TW210310 (9/2017 - Present)	OBD	OBD	OBD
	TW21042	OBD	OBD	OBD
	TW21046 (5/2010 - 3/2017)	OBD	OBD	OBD
	TW21046 (4/2017 - Present)	OBD	OBD	OBD
	TW210410	OBD	OBD	OBD
	TW21052	OBD	OBD	OBD
	TW21056E	OBD	OBD	OBD
	TW210510	OBD	OBD	OBD
	TW21062	OBD	OBD	OBD

# 400 Series Tilt-Wash (TW) Windows (1992 to Present)

Standard Windows

## Sash

### Sash - Upper / High-Performance Sun / Prefinished Interior / 2.2 / No Grommets

#### Sash - Upper / High-Performance-Low-E4® Sun / Prefinished Interior / 2.2 / No Grommets (5/2010 - Present)

**Note:**

Use as replacement sash for HP Sun glazing. Sash being **replaced** prior to April of 2012 **will not** have 2.2 etching in glass. Sash being **replaced** after April 2012 **will** have 2.2 etching in glass. Sash with **route out** for factory installed opening control device (stone, white, black) available by description. Order [Opening Control Device](#) separately.



	Unit No.	White	Terratone®	Sandtone	Forest Green
<b>30</b>	TW30210	OBD	OBD	OBD	OBD
	TW3032	9036169	OBD	OBD	OBD
	TW3036	OBD	OBD	OBD	OBD
	TW30310 <i>(5/2010 - 8/2017)</i>	9036170	OBD	OBD	OBD
	TW30310 <i>(9/2017 - Present)</i>	9169072	OBD	OBD	OBD
	TW3042	OBD	OBD	OBD	OBD
	TW3046 <i>(5/2010 - 3/2017)</i>	9036171	OBD	OBD	OBD
	TW3046 <i>(4/2017 - Present)</i>	9159874	OBD	OBD	OBD
	TW30410	OBD	OBD	OBD	OBD
	TW3052	9036172	OBD	OBD	OBD
	TW3056E	OBD	OBD	OBD	OBD
	TW30510	OBD	OBD	OBD	OBD
TW3062	9036173	OBD	OBD	OBD	OBD
<b>34</b>	TW34210	OBD	OBD	OBD	OBD
	TW3432	OBD	OBD	OBD	OBD
	TW3436	OBD	OBD	OBD	OBD
	TW34310 <i>(5/2010 - 8/2017)</i>	9036174	OBD	OBD	OBD
	TW34310 <i>(9/2017 - Present)</i>	9169073	OBD	OBD	OBD
	TW3442	OBD	OBD	OBD	OBD
	TW3446 <i>(5/2010 - 3/2017)</i>	9036175	OBD	OBD	OBD
	TW3446 <i>(4/2017 - Present)</i>	9159875	OBD	OBD	OBD
	TW34410	OBD	OBD	OBD	OBD
	TW3452	9036176	OBD	OBD	OBD
	TW3456E	9036435	OBD	OBD	OBD
	TW34510	OBD	OBD	OBD	OBD
TW3462	OBD	OBD	OBD	OBD	

## Sash

### Sash - Upper / High-Performance Sun / Prefinished Interior / 2.2 / No Grommets

#### Sash - Upper / High-Performance-Low-E4® Sun / Prefinished Interior / 2.2 / No Grommets (5/2010 - Present)

**Note:**

Use as replacement sash for HP Sun glazing. Sash being **replaced** prior to April of 2012 **will not** have 2.2 etching in glass. Sash being **replaced** after April 2012 **will** have 2.2 etching in glass. Sash with **route out** for factory installed opening control device (stone, white, black) available by description. Order [Opening Control Device](#) separately.



Unit No.	White	Terratone®	Sandtone	Forest Green	
<b>38</b>	TW38210	OBD	OBD	OBD	OBD
	TW3832	OBD	OBD	OBD	OBD
	TW3836	OBD	OBD	OBD	OBD
	TW38310 (5/2010 - 8/2017)	OBD	OBD	OBD	OBD
	TW38310 (9/2017 - Present)	OBD	OBD	OBD	OBD
	TW3842	9036177	OBD	OBD	OBD
	TW3846 (5/2010 - 3/2017)	9036178	OBD	OBD	OBD
	TW3846 (4/2017 - Present)	9159876	OBD	OBD	OBD
	TW38410	OBD	OBD	OBD	OBD
	TW3852	OBD	OBD	OBD	OBD
	TW3856E	OBD	OBD	OBD	OBD
	TW38510	OBD	OBD	OBD	OBD
	TW3862	OBD	OBD	OBD	OBD



# 400 Series Tilt-Wash (TW) Windows (1992 to Present)

Standard Windows

## Sash

### Sash - Upper / HP Smart Sun / Natural Wood Interior / 2.2 / No Grommets

#### Sash - Upper / HP Smart Sun / Natural Wood Interior / 2.2 / No Grommets

**Note:**

Use as replacement sash for HP Smart Sun glazing. Sash being replaced prior to April of 2012 will **not** have 2.2 etching in glass. Sash being replaced after April 2012 will have 2.2 etching in glass. The 310E, 46E, 56C and 56 RC [sash sizes](#) increased by 1/2" in 2017.



**Note:**

Available OBD. Specify White, Terratone®, Sandtone or Forest Green. Sash with **route out** for factory installed opening control device (stone, white, black) available by description. Order [Opening Control Device](#) separately.

### Sash - Upper / HP Passive Sun / Natural Wood Interior / 2.2 / No Grommets

#### Sash - Upper / HP Passive Sun / Natural Wood Interior / 2.2 / No Grommets

**Note:**

Use as replacement sash for HP Passive Sun glazing. Sash being replaced prior to April of 2012 will **not** have 2.2 etching in glass. Sash being replaced after April 2012 will have 2.2 etching in glass. The 310E, 46E, 56C and 56 RC [sash sizes](#) increased by 1/2" in 2017.



**Note:**

Available OBD. Specify White, Terratone®, Sandtone or Forest Green. Sash with **route out** for factory installed opening control device (stone, white, black) available by description. Order [Opening Control Device](#) separately.

### Sash - Upper / HP Old Sun / Natural Wood Interior / 2.2 / No Grommets

#### Sash - Upper / HP Old Sun / Natural Wood Interior / 2.2 / No Grommets

**Note:**

Use as replacement sash for HP Old Sun glazing. Sash being replaced prior to April of 2012 will **not** have 2.2 etching in glass. Sash being replaced after April 2012 will have 2.2 etching in glass. The 310E, 46E, 56C and 56 RC [sash sizes](#) increased by 1/2" in 2017.



**Note:**

Available OBD. Specify White, Terratone®, Sandtone or Forest Green. Sash with **route out** for factory installed opening control device (stone, white, black) available by description. Order [Opening Control Device](#) separately.

## Sash

### Sash - Upper / HP Finelight / Natural Wood Interior / 2.2 / No Grommets

#### Sash - Upper / HP-Low-E4® Finelight / Natural Wood Interior / 2.2 / No Grommets (5/2010 - Present)

**Note:**

Use as replacement sash for HP Finelight glazing. Sash being **replaced** prior to April of 2012 **will not** have 2.2 etching in glass. Sash being **replaced** after April 2012 **will** have 2.2 etching in glass. Sash with **route out** for factory installed opening control device (stone, white, black) available by description. Order [Opening Control Device](#) separately.



Unit No.	White	Terratone®	Sandtone	Forest Green
<b>18</b>	TW18210	9035875	OBD	OBD
	TW1832	9035876	OBD	OBD
	TW1836	OBD	OBD	OBD
	TW18310 (5/2010 - 8/2017)	9035877	OBD	OBD
	TW18310 (9/2017 - Present)	9169032	OBD	OBD
	TW1842	9035878	OBD	OBD
	TW1846 (5/2010 - 3/2017)	9035879	OBD	OBD
	TW1846 (4/2017 - Present)	9159707	OBD	OBD
	TW18410	9035840	OBD	OBD
	TW1852	9035880	OBD	OBD
	TW1856E	9036407	OBD	OBD
	TW18510	OBD	OBD	OBD
TW1862	9035881	OBD	OBD	
<b>20</b>	TW20210	9035882	OBD	OBD
	TW2032	9035883	OBD	OBD
	TW2036	9035841	OBD	OBD
	TW20310 (5/2010 - 8/2017)	9035884	OBD	OBD
	TW20310 (9/2017 - Present)	9169033	OBD	OBD
	TW2042	9035885	OBD	OBD
	TW2046 (5/2010 - 3/2017)	9035886	OBD	OBD
	TW2046 (4/2017 - Present)	9159708	OBD	OBD
	TW20410	9035842	OBD	OBD
	TW2052	9035887	OBD	OBD
	TW2056E	9036408	OBD	OBD
	TW20510	OBD	OBD	OBD
TW2062	9035888	OBD	OBD	

# 400 Series Tilt-Wash (TW) Windows (1992 to Present)

Standard Windows

## Sash

### Sash - Upper / HP Finelight / Natural Wood Interior / 2.2 / No Grommets

#### Sash - Upper / HP-Low-E4® Finelight / Natural Wood Interior / 2.2 / No Grommets (5/2010 - Present)

**Note:**

Use as replacement sash for HP Finelight glazing. Sash being **replaced** prior to April of 2012 **will not** have 2.2 etching in glass. Sash being **replaced** after April 2012 **will** have 2.2 etching in glass. Sash with **route out** for factory installed opening control device (stone, white, black) available by description. Order [Opening Control Device](#) separately.



	Unit No.	White	Terratone®	Sandtone	Forest Green
<b>24</b>	TW24210	9035889	OBD	OBD	OBD
	TW2432	9035890	OBD	OBD	OBD
	TW2436	9035853	OBD	OBD	OBD
	TW24310 <i>(5/2010 - 8/2017)</i>	9035891	OBD	OBD	OBD
	TW24310 <i>(9/2017 - Present)</i>	9169034	OBD	OBD	OBD
	TW2442	9035892	OBD	OBD	OBD
	TW2446 <i>(5/2010 - 3/2017)</i>	9035893	OBD	OBD	OBD
	TW2446 <i>(4/2017 - Present)</i>	9159709	OBD	OBD	OBD
	TW24410	9035854	OBD	OBD	OBD
	TW2452	9035894	OBD	OBD	OBD
	TW2456E	9036409	OBD	OBD	OBD
	TW24510	9035855	OBD	OBD	OBD
TW2462	9035895	OBD	OBD	OBD	
<b>26</b>	TW26210	9035856	OBD	OBD	OBD
	TW2632	9035857	OBD	OBD	OBD
	TW2636	9035858	OBD	OBD	OBD
	TW26310 <i>(5/2010 - 8/2017)</i>	9035859	OBD	OBD	OBD
	TW26310 <i>(9/2017 - Present)</i>	9169031	OBD	OBD	OBD
	TW2642	9035860	OBD	OBD	OBD
	TW2646 <i>(5/2010 - 3/2017)</i>	9035861	OBD	OBD	OBD
	TW2646 <i>(4/2017 - Present)</i>	9159706	OBD	OBD	OBD
	TW26410	9035862	OBD	OBD	OBD
	TW2652	9035863	OBD	OBD	OBD
	TW2656E	9036406	OBD	OBD	OBD
	TW26510	9035864	OBD	OBD	OBD
	TW2662	OBD	OBD	OBD	OBD

## Sash

### Sash - Upper / HP Finelight / Natural Wood Interior / 2.2 / No Grommets

#### Sash - Upper / HP-Low-E4® Finelight / Natural Wood Interior / 2.2 / No Grommets (5/2010 - Present)

**Note:**

Use as replacement sash for HP Finelight glazing. Sash being **replaced** prior to April of 2012 **will not** have 2.2 etching in glass. Sash being **replaced** after April 2012 **will** have 2.2 etching in glass. Sash with **route out** for factory installed opening control device (stone, white, black) available by description. Order [Opening Control Device](#) separately.



Unit No.	White	Terratone®	Sandtone	Forest Green
<b>28</b>	TW28210	9035896	OBD	OBD
	TW2832	9035897	OBD	OBD
	TW2836	9035865	OBD	OBD
	TW28310 (5/2010 - 8/2017)	9035898	OBD	OBD
	TW28310 (9/2017 - Present)	9169035	OBD	OBD
	TW2842	9035899	OBD	OBD
	TW2846 (5/2010 - 3/2017)	9035900	OBD	OBD
	TW2846 (4/2017 - Present)	9159710	OBD	OBD
	TW28410	9035866	OBD	OBD
	TW2852	9035901	OBD	OBD
	TW2856E	9036410	OBD	OBD
	TW28510	9035867	OBD	OBD
	TW2862	9035902	OBD	OBD
<b>210</b>	TW210210	9035843	OBD	OBD
	TW21032	9035844	OBD	OBD
	TW21036	9035845	OBD	OBD
	TW210310 (5/2010 - 8/2017)	9035846	OBD	OBD
	TW210310 (9/2017 - Present)	9169030	OBD	OBD
	TW21042	9035847	OBD	OBD
	TW21046 (5/2010 - 3/2017)	9035848	OBD	OBD
	TW21046 (4/2017 - Present)	9159705	OBD	OBD
	TW210410	9035849	OBD	OBD
	TW21052	9035850	OBD	OBD
	TW21056E	9036405	OBD	OBD
	TW210510	9035851	OBD	OBD
	TW21062	9035852	OBD	OBD

# 400 Series Tilt-Wash (TW) Windows (1992 to Present)

Standard Windows

## Sash

### Sash - Upper / HP Finelight / Natural Wood Interior / 2.2 / No Grommets

#### Sash - Upper / HP-Low-E4® Finelight / Natural Wood Interior / 2.2 / No Grommets (5/2010 - Present)

**Note:**

Use as replacement sash for HP Finelight glazing. Sash being **replaced** prior to April of 2012 **will not** have 2.2 etching in glass. Sash being **replaced** after April 2012 **will** have 2.2 etching in glass. Sash with **route out** for factory installed opening control device (stone, white, black) available by description. Order [Opening Control Device](#) separately.



	Unit No.	White	Terratone®	Sandtone	Forest Green
<b>30</b>	TW30210	9035903	OBD	OBD	OBD
	TW3032	9035904	OBD	OBD	OBD
	TW3036	9035868	OBD	OBD	OBD
	TW30310 <i>(5/2010 - 8/2017)</i>	9035905	OBD	OBD	OBD
	TW30310 <i>(9/2017 - Present)</i>	9169036	OBD	OBD	OBD
	TW3042	9035906	OBD	OBD	OBD
	TW3046 <i>(5/2010 - 3/2017)</i>	9035907	OBD	OBD	OBD
	TW3046 <i>(4/2017 - Present)</i>	9159711	OBD	OBD	OBD
	TW30410	9035869	OBD	OBD	OBD
	TW3052	9035908	OBD	OBD	OBD
	TW3056E	9036411	OBD	OBD	OBD
	TW30510	9035870	OBD	OBD	OBD
TW3062	9035909	OBD	OBD	OBD	
<b>34</b>	TW34210	9035910	OBD	OBD	OBD
	TW3432	9035911	OBD	OBD	OBD
	TW3436	9035871	OBD	OBD	OBD
	TW34310 <i>(5/2010 - 8/2017)</i>	9035912	OBD	OBD	OBD
	TW34310 <i>(9/2017 - Present)</i>	9169037	OBD	OBD	OBD
	TW3442	9035913	OBD	OBD	OBD
	TW3446 <i>(5/2010 - 3/2017)</i>	9035914	OBD	OBD	OBD
	TW3446 <i>(4/2017 - Present)</i>	9159712	OBD	OBD	OBD
	TW34410	9035872	OBD	OBD	OBD
	TW3452	9035915	OBD	OBD	OBD
	TW3456E	9036412	OBD	OBD	OBD
	TW34510	9035873	OBD	OBD	OBD
	TW3462	9035916	OBD	OBD	OBD

## Sash

### Sash - Upper / HP Finelight / Natural Wood Interior / 2.2 / No Grommets

#### Sash - Upper / HP-Low-E4® Finelight / Natural Wood Interior / 2.2 / No Grommets (5/2010 - Present)

**Note:**

Use as replacement sash for HP Finelight glazing. Sash being **replaced** prior to April of 2012 **will not** have 2.2 etching in glass. Sash being **replaced** after April 2012 **will** have 2.2 etching in glass. Sash with **route out** for factory installed opening control device (stone, white, black) available by description. Order [Opening Control Device](#) separately.



Unit No.	White	Terratone®	Sandtone	Forest Green
<b>38</b>	TW38210	OBD	OBD	OBD
	TW3832	9035917	OBD	OBD
	TW3836	OBD	OBD	OBD
	TW38310 (5/2010 - 8/2017)	9035918	OBD	OBD
	TW38310 (9/2017 - Present)	9169038	OBD	OBD
	TW3842	9035919	OBD	OBD
	TW3846 (5/2010 - 3/2017)	9035920	OBD	OBD
	TW3846 (4/2017 - Present)	9159713	OBD	OBD
	TW38410	9035874	OBD	OBD
	TW3852	9035921	OBD	OBD
	TW3856E	9036413	OBD	OBD
	TW38510	OBD	OBD	OBD
TW3862	9035922	OBD	OBD	

# 400 Series Tilt-Wash (TW) Windows (1992 to Present)

Standard Windows

## Sash

### Sash - Upper / High-Performance Temp / Natural Wood Interior / No Grommets

#### Sash - Upper / High-Performance-Low-E4® Temp / Natural Wood / No Grommets (5/2010 - Present)

**Note:**

Use as replacement sash for previous vintages of HP Tempered sash. Available OBD. Specify White, Terratone®, Sandtone or Forest Green. Sash with **route out** for factory installed opening control device (stone, white, black) available by description. Order [Opening Control Device](#) separately.

	Unit No.	White	Terratone®	Sandtone	Forest Green
<b>18</b>	TW18210	9036021	OBD	OBD	OBD
	TW1832	9036022	OBD	OBD	OBD
	TW1836	9036262	OBD	OBD	OBD
	TW18310 (5/2010 - 8/2017)	9036023	OBD	OBD	OBD
	TW18310 (9/2017 - Present)	9169053	OBD	OBD	OBD
	TW1842	9036024	OBD	OBD	OBD
	TW1846 (5/2010 - 3/2017)	9036025	OBD	OBD	OBD
	TW1846 (4/2017 - Present)	9159783	OBD	OBD	OBD
	TW18410	9036263	OBD	OBD	OBD
	TW1852	9036026	OBD	OBD	OBD
	TW1856E	OBD	OBD	OBD	OBD
	TW18510	9036264	OBD	OBD	OBD
TW1862	9036027	OBD	OBD	OBD	
<b>20</b>	TW20210	9036028	OBD	9035124	OBD
	TW2032	9036029	9036475	OBD	OBD
	TW2036	9036265	OBD	OBD	OBD
	TW20310 (5/2010 - 8/2017)	9036030	9036476	9035125	OBD
	TW20310 (9/2017 - Present)	9169054	9169087	9168941	OBD
	TW2042	9036031	9036477	9035126	OBD
	TW2046 (5/2010 - 3/2017)	9036032	OBD	OBD	OBD
	TW2046 (4/2017 - Present)	9159784	OBD	OBD	OBD
	TW20410	9036266	OBD	OBD	OBD
	TW2052	9036033	9036478	9035127	OBD
	TW2056E	OBD	OBD	OBD	OBD
	TW20510	9036267	OBD	OBD	OBD
	TW2062	9036034	OBD	OBD	OBD

## Sash

### Sash - Upper / High-Performance Temp / Natural Wood Interior / No Grommets

#### Sash - Upper / High-Performance-Low-E4® Temp / Natural Wood / No Grommets (5/2010 - Present)

**Note:**

Use as replacement sash for previous vintages of HP Tempered sash. Available OBD. Specify White, Terratone®, Sandtone or Forest Green. Sash with **route out** for factory installed opening control device (stone, white, black) available by description. Order [Opening Control Device](#) separately.

Unit No.	White	Terratone®	Sandtone	Forest Green
<b>24</b>	TW24210	9036035	OBD	OBD
	TW2432	9036036	9036479	9035128
	TW2436	9036278	OBD	OBD
	TW24310 (5/2010 - 8/2017)	9036037	9036480	9035129
	TW24310 (9/2017 - Present)	9169055	9169088	9168942
	TW2442	9036038	OBD	9035130
	TW2446 (5/2010 - 3/2017)	9036039	9036481	9035131
	TW2446 (4/2017 - Present)	9159785	9159760	9159749
	TW24410	9036279	OBD	OBD
	TW2452	9036040	9036482	9035132
	TW2456E	9036428	9036669	OBD
	TW24510	9036280	OBD	OBD
TW2462	9036041	OBD	OBD	
<b>26</b>	TW26210	9036281	OBD	OBD
	TW2632	9036282	OBD	OBD
	TW2636	9036283	OBD	OBD
	TW26310 (5/2010 - 8/2017)	9036284	OBD	OBD
	TW26310 (9/2017 - Present)	9169079	OBD	OBD
	TW2642	9036285	OBD	OBD
	TW2646 (5/2010 - 3/2017)	9036286	OBD	OBD
	TW2646 (4/2017 - Present)	9159794	OBD	OBD
	TW26410	9036287	OBD	OBD
	TW2652	9036288	OBD	OBD
	TW2656E	OBD	OBD	OBD
	TW26510	OBD	OBD	OBD
TW2662	OBD	OBD	OBD	



# 400 Series Tilt-Wash (TW) Windows (1992 to Present)

Standard Windows

## Sash

### Sash - Upper / High-Performance Temp / Natural Wood Interior / No Grommets

#### Sash - Upper / High-Performance-Low-E4® Temp / Natural Wood / No Grommets (5/2010 - Present)

**Note:**

Use as replacement sash for previous vintages of HP Tempered sash. Available OBD. Specify White, Terratone®, Sandtone or Forest Green. Sash with **route out** for factory installed opening control device (stone, white, black) available by description. Order [Opening Control Device](#) separately.

	Unit No.	White	Terratone®	Sandtone	Forest Green
<b>28</b>	TW28210	9036042	9036483	OBD	OBD
	TW2832	9036043	9036484	OBD	OBD
	TW2836	9036289	OBD	OBD	OBD
	TW28310 <i>(5/2010 - 8/2017)</i>	9036044	9036485	9035133	OBD
	TW28310 <i>(9/2017 - Present)</i>	9169056	9169089	9168943	OBD
	TW2842	9036045	9036486	9035134	OBD
	TW2846 <i>(5/2010 - 3/2017)</i>	9036046	9036487	9035135	OBD
	TW2846 <i>(4/2017 - Present)</i>	9159786	9159761	9159750	OBD
	TW28410	9036290	OBD	OBD	OBD
	TW2852	9036047	9036488	9035136	OBD
	TW2856E	9036429	OBD	OBD	OBD
	TW28510	9036291	OBD	OBD	OBD
TW2862	9036048	OBD	OBD	OBD	
<b>210</b>	TW210210	9036268	OBD	OBD	OBD
	TW21032	9036269	OBD	OBD	OBD
	TW21036	9036270	OBD	OBD	OBD
	TW210310 <i>(5/2010 - 8/2017)</i>	9036271	OBD	OBD	OBD
	TW210310 <i>(9/2017 - Present)</i>	9169078	OBD	OBD	OBD
	TW21042	9036272	OBD	OBD	OBD
	TW21046 <i>(5/2010 - 3/2017)</i>	9036273	OBD	OBD	OBD
	TW21046 <i>(4/2017 - Present)</i>	9159793	OBD	OBD	OBD
	TW210410	9036274	OBD	OBD	OBD
	TW21052	9036275	OBD	OBD	OBD
	TW21056E	OBD	OBD	OBD	OBD
	TW210510	9036276	OBD	OBD	OBD
TW21062	9036277	OBD	OBD	OBD	

## Sash

### Sash - Upper / High-Performance Temp / Natural Wood Interior / No Grommets

#### Sash - Upper / High-Performance-Low-E4® Temp / Natural Wood / No Grommets (5/2010 - Present)

**Note:**

Use as replacement sash for previous vintages of HP Tempered sash. Available OBD. Specify White, Terratone®, Sandtone or Forest Green. Sash with **route out** for factory installed opening control device (stone, white, black) available by description. Order [Opening Control Device](#) separately.

Unit No.	White	Terratone®	Sandtone	Forest Green
30	TW30210	9036049	OBD	OBD
	TW3032	9036050	9036489	9035137
	TW3036	9036292	OBD	OBD
	TW30310 (5/2010 - 8/2017)	9036051	9036490	9035138
	TW30310 (9/2017 - Present)	9169057	9169090	9168944
	TW3042	9036052	9036491	9035139
	TW3046 (5/2010 - 3/2017)	9036053	9036492	9035140
	TW3046 (4/2017 - Present)	9159787	9159762	9159751
	TW30410	9036293	OBD	OBD
	TW3052	9036054	9036493	9035141
	TW3056E	9036430	OBD	9035105
	TW30510	9036294	OBD	OBD
	TW3062	9036055	9036494	9035142
34	TW34210	9036056	OBD	OBD
	TW3432	9036057	OBD	OBD
	TW3436	9036295	OBD	OBD
	TW34310 (5/2010 - 8/2017)	9036058	OBD	9035143
	TW34310 (9/2017 - Present)	9169058	OBD	9168945
	TW3442	9036059	OBD	OBD
	TW3446 (5/2010 - 3/2017)	9036060	OBD	9035144
	TW3446 (4/2017 - Present)	9159788	OBD	9159752
	TW34410	9036296	OBD	OBD
	TW3452	9036061	OBD	9035145
	TW3456E	9036431	OBD	OBD
	TW34510	OBD	OBD	OBD
	TW3462	9036062	OBD	OBD

# 400 Series Tilt-Wash (TW) Windows (1992 to Present)

Standard Windows

## Sash

### Sash - Upper / High-Performance Temp / Natural Wood Interior / No Grommets

#### Sash - Upper / High-Performance-Low-E4® Temp / Natural Wood / No Grommets (5/2010 - Present)

**Note:**

Use as replacement sash for previous vintages of HP Tempered sash. Available OBD. Specify White, Terratone®, Sandtone or Forest Green. Sash with **route out** for factory installed opening control device (stone, white, black) available by description. Order [Opening Control Device](#) separately.

Unit No.		White	Terratone®	Sandtone	Forest Green
<b>38</b>	TW38210	OBD	OBD	OBD	OBD
	TW3832	9036063	OBD	OBD	OBD
	TW3836	9036297	OBD	OBD	OBD
	TW38310 (5/2010 - 8/2017)	9036064	OBD	OBD	OBD
	TW38310 (9/2017 - Present)	9169059	OBD	OBD	OBD
	TW3842	9036065	OBD	OBD	OBD
	TW3846 (5/2010 - 3/2017)	9036066	OBD	9035146	OBD
	TW3846 (4/2017 - Present)	9159789	OBD	9159753	OBD
	TW38410	9036298	OBD	OBD	OBD
	TW3852	9036067	OBD	OBD	OBD
	TW3856E	OBD	OBD	OBD	OBD
	TW38510	9036299	OBD	OBD	OBD
TW3862	9036068	OBD	OBD	OBD	

## Sash

### Sash - Upper / High-Performance Temp / Prefinished Interior / No Grommets

#### Sash - Upper / High-Performance-Low-E4® Temp / PI Interior / No Grommets (5/2010 - Present)

**Note:**

Use as replacement sash for previous vintages of HP Tempered sash. Sash with **route out** for factory installed opening control device (stone, white, black) available by description. Order [Opening Control Device](#) separately.

Unit No.	White	Terratone®	Sandtone	Forest Green
<b>18</b>	<b>TW18210</b>	9035654	OBD	OBD
	<b>TW1832</b>	9035655	OBD	OBD
	<b>TW1836</b>	OBD	OBD	OBD
	<b>TW18310</b> <i>(5/2010 - 8/2017)</i>	9035656	OBD	OBD
	<b>TW18310</b> <i>(9/2017 - Present)</i>	9169008	OBD	OBD
	<b>TW1842</b>	9035657	OBD	OBD
	<b>TW1846</b> <i>(5/2010 - 3/2017)</i>	9035658	OBD	OBD
	<b>TW1846</b> <i>(4/2017 - Present)</i>	9159795	OBD	OBD
	<b>TW18410</b>	9036385	OBD	OBD
	<b>TW1852</b>	OBD	OBD	OBD
	<b>TW1856E</b>	9035659	OBD	OBD
	<b>TW18510</b>	OBD	OBD	OBD
	<b>TW1862</b>	9035660	OBD	OBD
<b>20</b>	<b>TW20210</b>	9035661	OBD	OBD
	<b>TW2032</b>	9035662	OBD	OBD
	<b>TW2036</b>	9036335	OBD	OBD
	<b>TW20310</b> <i>(5/2010 - 8/2017)</i>	9035663	OBD	OBD
	<b>TW20310</b> <i>(9/2017 - Present)</i>	9169009	OBD	OBD
	<b>TW2042</b>	9035664	OBD	OBD
	<b>TW2046</b> <i>(5/2010 - 3/2017)</i>	9035665	OBD	OBD
	<b>TW2046</b> <i>(4/2017 - Present)</i>	9159796	OBD	OBD
	<b>TW20410</b>	9036336	OBD	OBD
	<b>TW2052</b>	9035666	OBD	OBD
	<b>TW2056E</b>	9036386	OBD	OBD
	<b>TW20510</b>	9036337	OBD	OBD
	<b>TW2062</b>	9035667	OBD	OBD

# 400 Series Tilt-Wash (TW) Windows (1992 to Present)

Standard Windows

## Sash

### Sash - Upper / High-Performance Temp / Prefinished Interior / No Grommets

#### Sash - Upper / High-Performance-Low-E4® Temp / PI Interior / No Grommets (5/2010 - Present)

**Note:**

Use as replacement sash for previous vintages of HP Tempered sash. Sash with **route out** for factory installed opening control device (stone, white, black) available by description. Order [Opening Control Device](#) separately.

	Unit No.	White	Terratone®	Sandtone	Forest Green
<b>24</b>	<b>TW24210</b>	9035668	OBD	OBD	OBD
	<b>TW2432</b>	9035669	OBD	OBD	OBD
	<b>TW2436</b>	9036344	OBD	OBD	OBD
	<b>TW24310</b> <i>(5/2010 - 8/2017)</i>	9035670	OBD	OBD	OBD
	<b>TW24310</b> <i>(9/2017 - Present)</i>	9169010	OBD	OBD	OBD
	<b>TW2442</b>	9035671	OBD	OBD	OBD
	<b>TW2446</b> <i>(5/2010 - 3/2017)</i>	9035672	OBD	OBD	OBD
	<b>TW2446</b> <i>(4/2017 - Present)</i>	9159797	OBD	OBD	OBD
	<b>TW24410</b>	9036345	OBD	OBD	OBD
	<b>TW2452</b>	9035673	OBD	OBD	OBD
	<b>TW2456E</b>	9036387	OBD	OBD	OBD
	<b>TW24510</b>	OBD	OBD	OBD	OBD
	<b>TW2462</b>	9035674	OBD	OBD	OBD
<b>26</b>	<b>TW26210</b>	OBD	OBD	OBD	OBD
	<b>TW2632</b>	OBD	OBD	OBD	OBD
	<b>TW2636</b>	OBD	OBD	OBD	OBD
	<b>TW26310</b> <i>(5/2010 - 8/2017)</i>	OBD	OBD	OBD	OBD
	<b>TW26310</b> <i>(9/2017 - Present)</i>	OBD	OBD	OBD	OBD
	<b>TW2642</b>	9036346	OBD	OBD	OBD
	<b>TW2646</b> <i>(5/2010 - 3/2017)</i>	9036347	OBD	OBD	OBD
	<b>TW2646</b> <i>(4/2017 - Present)</i>	9159818	OBD	OBD	OBD
	<b>TW26410</b>	9036348	OBD	OBD	OBD
	<b>TW2652</b>	9036349	OBD	OBD	OBD
	<b>TW2656E</b>	OBD	OBD	OBD	OBD
	<b>TW26510</b>	OBD	OBD	OBD	OBD
<b>TW2662</b>	9036350	OBD	OBD	OBD	

## Sash

### Sash - Upper / High-Performance Temp / Prefinished Interior / No Grommets

#### Sash - Upper / High-Performance-Low-E4® Temp / PI Interior / No Grommets (5/2010 - Present)

**Note:**

Use as replacement sash for previous vintages of HP Tempered sash. Sash with **route out** for factory installed opening control device (stone, white, black) available by description. Order [Opening Control Device](#) separately.

Unit No.	White	Terratone®	Sandtone	Forest Green
<b>28</b>	<b>TW28210</b>	9035675	OBD	OBD
	<b>TW2832</b>	9035676	OBD	OBD
	<b>TW2836</b>	9036351	OBD	OBD
	<b>TW28310</b> <i>(5/2010 - 8/2017)</i>	9035677	OBD	OBD
	<b>TW28310</b> <i>(9/2017 - Present)</i>	9169011	OBD	OBD
	<b>TW2842</b>	9035678	OBD	OBD
	<b>TW2846</b> <i>(5/2010 - 3/2017)</i>	9035679	OBD	OBD
	<b>TW2846</b> <i>(4/2017 - Present)</i>	9159798	OBD	OBD
	<b>TW28410</b>	9036352	OBD	OBD
	<b>TW2852</b>	9035680	OBD	OBD
	<b>TW2856E</b>	OBD	OBD	OBD
	<b>TW28510</b>	OBD	OBD	OBD
	<b>TW2862</b>	9035681	OBD	OBD
<b>210</b>	<b>TW210210</b>	9036338	OBD	OBD
	<b>TW21032</b>	OBD	OBD	OBD
	<b>TW21036</b>	OBD	OBD	OBD
	<b>TW210310</b> <i>(5/2010 - 8/2017)</i>	9036339	OBD	OBD
	<b>TW210310</b> <i>(9/2017 - Present)</i>	9169082	OBD	OBD
	<b>TW21042</b>	9036340	OBD	OBD
	<b>TW21046</b> <i>(5/2010 - 3/2017)</i>	9036341	OBD	OBD
	<b>TW21046</b> <i>(4/2017 - Present)</i>	9159817	OBD	OBD
	<b>TW210410</b>	9036342	OBD	OBD
	<b>TW21052</b>	OBD	OBD	OBD
	<b>TW21056E</b>	OBD	OBD	OBD
	<b>TW210510</b>	9036343	OBD	OBD
	<b>TW21062</b>	OBD	OBD	OBD

# 400 Series Tilt-Wash (TW) Windows (1992 to Present)

Standard Windows

## Sash

### Sash - Upper / High-Performance Temp / Prefinished Interior / No Grommets

#### Sash - Upper / High-Performance-Low-E4® Temp / PI Interior / No Grommets (5/2010 - Present)

**Note:**

Use as replacement sash for previous vintages of HP Tempered sash. Sash with **route out** for factory installed opening control device (stone, white, black) available by description. Order [Opening Control Device](#) separately.

	Unit No.	White	Terratone®	Sandtone	Forest Green
<b>30</b>	<b>TW30210</b>	9035682	OBD	OBD	OBD
	<b>TW3032</b>	9035683	OBD	OBD	OBD
	<b>TW3036</b>	OBD	OBD	OBD	OBD
	<b>TW30310</b> <i>(5/2010 - 8/2017)</i>	9035684	OBD	OBD	OBD
	<b>TW30310</b> <i>(9/2017 - Present)</i>	9169012	OBD	OBD	OBD
	<b>TW3042</b>	9035685	OBD	OBD	OBD
	<b>TW3046</b> <i>(5/2010 - 3/2017)</i>	9035686	OBD	OBD	OBD
	<b>TW3046</b> <i>(4/2017 - Present)</i>	9159799	OBD	OBD	OBD
	<b>TW30410</b>	9036353	OBD	OBD	OBD
	<b>TW3052</b>	9035687	OBD	OBD	OBD
	<b>TW3056E</b>	9036388	OBD	OBD	OBD
	<b>TW30510</b>	9036354	OBD	OBD	OBD
	<b>TW3062</b>	9035688	OBD	OBD	OBD
<b>34</b>	<b>TW34210</b>	OBD	OBD	OBD	OBD
	<b>TW3432</b>	OBD	OBD	OBD	OBD
	<b>TW3436</b>	OBD	OBD	OBD	OBD
	<b>TW34310</b> <i>(5/2010 - 8/2017)</i>	9035689	OBD	OBD	OBD
	<b>TW34310</b> <i>(9/2017 - Present)</i>	9169013	OBD	OBD	OBD
	<b>TW3442</b>	9035690	OBD	OBD	OBD
	<b>TW3446</b> <i>(5/2010 - 3/2017)</i>	9035691	OBD	OBD	OBD
	<b>TW3446</b> <i>(4/2017 - Present)</i>	9159800	OBD	OBD	OBD
	<b>TW34410</b>	OBD	OBD	OBD	OBD
	<b>TW3452</b>	9035692	OBD	OBD	OBD
	<b>TW3456E</b>	OBD	OBD	OBD	OBD
	<b>TW34510</b>	OBD	OBD	OBD	OBD
	<b>TW3462</b>	OBD	OBD	OBD	OBD

## Sash

### Sash - Upper / High-Performance Temp / Prefinished Interior / No Grommets

#### Sash - Upper / High-Performance-Low-E4® Temp / PI Interior / No Grommets (5/2010 - Present)

**Note:**

Use as replacement sash for previous vintages of HP Tempered sash. Sash with **route out** for factory installed opening control device (stone, white, black) available by description. Order [Opening Control Device](#) separately.

Unit No.	White	Terratone®	Sandtone	Forest Green
<b>38</b>	TW38210	OBD	OBD	OBD
	TW3832	OBD	OBD	OBD
	TW3836	9036355	OBD	OBD
	TW38310 (5/2010 - 8/2017)	9035693	OBD	OBD
	TW38310 (9/2017 - Present)	9169014	OBD	OBD
	TW3842	OBD	OBD	OBD
	TW3846 (5/2010 - 3/2017)	OBD	OBD	OBD
	TW3846 (4/2017 - Present)	OBD	OBD	OBD
	TW38410	OBD	OBD	OBD
	TW3852	9035694	OBD	OBD
	TW3856E	OBD	OBD	OBD
	TW38510	9036356	OBD	OBD
	TW3862	OBD	OBD	OBD



# 400 Series Tilt-Wash (TW) Windows (1992 to Present)

Standard Windows

## Sash

**Sash - Upper / High-Performance-Low-E4® / 3.0 / Natural Wood Interior / No Grommets (4/2012 - 2015)**



Unit No.		White	Terratone®	Sandtone	Forest Green
<b>18</b>	TW18210	OBD	OBD	OBD	OBD
	TW1832	OBD	OBD	OBD	OBD
	TW1836	OBD	OBD	OBD	OBD
	TW18310	OBD	OBD	OBD	OBD
	TW1842	OBD	OBD	OBD	OBD
	TW1846	OBD	OBD	OBD	OBD
	TW1856E	OBD	OBD	OBD	OBD
	TW18410	OBD	OBD	OBD	OBD
	TW1852	OBD	OBD	OBD	OBD
	TW18510	OBD	OBD	OBD	OBD
	TW1862	9057742	9058086	9057142	OBD
<b>20</b>	TW20210	OBD	OBD	OBD	OBD
	TW2032	OBD	OBD	OBD	OBD
	TW2036	OBD	OBD	OBD	OBD
	TW20310	OBD	OBD	OBD	OBD
	TW2042	OBD	OBD	OBD	OBD
	TW2046	OBD	OBD	OBD	OBD
	TW2056E	OBD	OBD	OBD	OBD
	TW20410	OBD	OBD	OBD	OBD
	TW2052	OBD	OBD	OBD	OBD
	TW20510	OBD	OBD	OBD	OBD
	TW2062	OBD	OBD	OBD	OBD

## Sash

**Sash - Upper / High-Performance-Low-E4® / 3.0 / Natural Wood Interior / No Grommets (4/2012 - 2015)**



Unit No.		White	Terratone®	Sandtone	Forest Green
<b>24</b>	TW24210	OBD	OBD	OBD	OBD
	TW2432	OBD	OBD	OBD	OBD
	TW2436	OBD	OBD	OBD	OBD
	TW24310	OBD	OBD	OBD	OBD
	TW2442	OBD	OBD	OBD	OBD
	TW2446	OBD	OBD	OBD	OBD
	TW24410	OBD	OBD	OBD	OBD
	TW2452	OBD	OBD	OBD	OBD
	TW2456E	OBD	OBD	OBD	OBD
	TW24510	OBD	OBD	OBD	OBD
	TW2462	OBD	OBD	OBD	OBD
<b>26</b>	TW26210	OBD	OBD	OBD	OBD
	TW2632	OBD	OBD	OBD	OBD
	TW2636	OBD	OBD	OBD	OBD
	TW26310	OBD	OBD	OBD	OBD
	TW2642	OBD	OBD	OBD	OBD
	TW2646	OBD	OBD	OBD	OBD
	TW26410	OBD	OBD	OBD	OBD
	TW2652	OBD	OBD	OBD	OBD
	TW2656E	OBD	OBD	OBD	OBD
	TW26510	OBD	OBD	OBD	OBD
	TW2662	OBD	OBD	OBD	OBD

# 400 Series Tilt-Wash (TW) Windows (1992 to Present)

Standard Windows

## Sash

Sash - Upper / High-Performance-Low-E4® / 3.0 / Natural Wood Interior / No Grommets (4/2012 - 2015)



Unit No.		White	Terratone®	Sandtone	Forest Green
<b>28</b>	TW28210	OBD	OBD	OBD	OBD
	TW2832	OBD	OBD	OBD	OBD
	TW2836	OBD	OBD	OBD	OBD
	TW28310	OBD	OBD	OBD	OBD
	TW2842	OBD	OBD	OBD	OBD
	TW2846	OBD	OBD	OBD	OBD
	TW28410	OBD	OBD	OBD	OBD
	TW2852	OBD	OBD	OBD	OBD
	TW2856E	OBD	OBD	OBD	OBD
	TW28510	OBD	OBD	OBD	OBD
	TW2862	OBD	OBD	OBD	OBD
<b>210</b>	TW210210	OBD	OBD	OBD	OBD
	TW21032	OBD	OBD	OBD	OBD
	TW21036	OBD	OBD	OBD	OBD
	TW210310	OBD	OBD	OBD	OBD
	TW21042	OBD	OBD	OBD	OBD
	TW21046	OBD	OBD	OBD	OBD
	TW210410	OBD	OBD	OBD	OBD
	TW21052	OBD	OBD	OBD	OBD
	TW21056E	OBD	OBD	OBD	OBD
	TW210510	OBD	OBD	OBD	OBD
	TW21062	OBD	OBD	OBD	OBD

## Sash

**Sash - Upper / High-Performance-Low-E4® / 3.0 / Natural Wood Interior / No Grommets (4/2012 - 2015)**



Unit No.		White	Terratone®	Sandtone	Forest Green
<b>30</b>	TW30210	OBD	OBD	OBD	OBD
	TW3032	OBD	OBD	OBD	OBD
	TW3036	OBD	OBD	OBD	OBD
	TW30310	OBD	OBD	OBD	OBD
	TW3042	OBD	OBD	OBD	OBD
	TW3046	OBD	OBD	OBD	OBD
	TW30410	OBD	OBD	OBD	OBD
	TW3052	OBD	OBD	OBD	OBD
	TW3056E	OBD	OBD	OBD	OBD
	TW30510	OBD	OBD	OBD	OBD
	TW3062	OBD	OBD	OBD	OBD
<b>34</b>	TW34210	OBD	OBD	OBD	OBD
	TW3432	OBD	OBD	OBD	OBD
	TW3436	OBD	OBD	OBD	OBD
	TW34310	OBD	OBD	OBD	OBD
	TW3442	OBD	OBD	OBD	OBD
	TW3446	OBD	OBD	OBD	OBD
	TW34410	OBD	OBD	OBD	OBD
	TW3452	OBD	OBD	OBD	OBD
	TW3456E	OBD	OBD	OBD	OBD
	TW34510	OBD	OBD	OBD	OBD
	TW3462	OBD	OBD	OBD	OBD

# 400 Series Tilt-Wash (TW) Windows (1992 to Present)

Standard Windows

## Sash

### Sash - Upper / High-Performance-Low-E4® / 3.0 / Natural Wood Interior / No Grommets (4/2012 - 2015)



Unit No.	White	Terratone®	Sandtone	Forest Green
<b>38</b>	TW38210	OBD	OBD	OBD
	TW3832	OBD	OBD	OBD
	TW3836	OBD	OBD	OBD
	TW38310	OBD	OBD	OBD
	TW3842	OBD	OBD	OBD
	TW3846	OBD	OBD	OBD
	TW38410	OBD	OBD	OBD
	TW3852	OBD	OBD	OBD
	TW3856E	OBD	OBD	OBD
	TW38510	OBD	OBD	OBD
	TW3862	OBD	OBD	OBD

### Sash - Upper / High-Performance-Low-E4® Sun / 3.0 / Prefinished Interior / No Grommets (4/2012 - 2015)



Unit No.	White	Unit No.	White	Unit No.	White
<b>18</b>	TW18210	<b>26</b>	TW26210	<b>30</b>	TW30210
	TW1832		TW2632		TW3032
	TW1836		TW2636		TW3036
	TW18310		TW26310		TW30310
	TW1842		TW2642		TW3042
	TW1846		TW2646		TW3046
	TW18410		TW26410		TW30410
	TW1852		TW2652		TW3052
	TW1856E		TW2656E		TW3056E
	TW18510		TW26510		TW30510
	TW1862		TW2662		TW3062
	9057791				

### Sash

**Sash - Upper / High-Performance-Low-E4® Sun / 3.0 / Prefinished Interior / No Grommets (4/2012 - 2015)**



Unit No.		White	Unit No.		White	Unit No.		White
<b>20</b>	TW20210	OBD	<b>28</b>	TW28210	OBD	<b>34</b>	TW34210	OBD
	TW2032	OBD		TW2832	OBD		TW3432	OBD
	TW2036	OBD		TW2836	OBD		TW3436	OBD
	TW20310	OBD		TW28310	OBD		TW34310	OBD
	TW2042	OBD		TW2842	OBD		TW3442	OBD
	TW2046	OBD		TW2846	OBD		TW3446	OBD
	TW20410	OBD		TW28410	OBD		TW34410	OBD
	TW2052	OBD		TW2852	OBD		TW3452	OBD
	TW2056E	OBD		TW2856E	OBD		TW3456E	OBD
	TW20510	OBD		TW28510	OBD		TW34510	OBD
TW2062	OBD	TW2862	OBD	TW3462	OBD			
<b>24</b>	TW24210	OBD	<b>210</b>	TW210210	OBD	<b>38</b>	TW38210	OBD
	TW2432	OBD		TW21032	OBD		TW3832	OBD
	TW2436	OBD		TW21036	OBD		TW3836	OBD
	TW24310	OBD		TW210310	OBD		TW38310	OBD
	TW2442	OBD		TW21042	OBD		TW3842	OBD
	TW2446	OBD		TW21046	OBD		TW3846	OBD
	TW24410	OBD		TW210410	OBD		TW38410	OBD
	TW2452	OBD		TW21052	OBD		TW3852	OBD
	TW2456E	OBD		TW21056E	OBD		TW3856E	OBD
	TW24510	OBD		TW210510	OBD		TW38510	OBD
TW2462	OBD	TW21062	OBD	TW3862	OBD			

**Sash - Upper / Passive Sun / 3.0 / Natural Wood Interior (4/2012 - 2015)**



**Note:**  
Available OBD. Specify White, Terratone®, Sandtone or Forest Green.

# 400 Series Tilt-Wash (TW) Windows (1992 to Present)

Standard Windows

## Sash

### Sash - Upper / Smart Sun / 3.0 / Natural Wood Interior (4/2012 - 2015)



**Note:**

Available OBD. Specify White, Terratone®, Sandtone or Forest Green.

### Sash - Upper / Old Sun / 3.0 / Natural Wood Interior (4/2012 - 2015)



**Note:**

Available OBD. Specify White, Terratone®, Sandtone or Forest Green.

## Sash

**Sash - Upper / High-Performance-Low-E4® Sun / 3.0 / Natural Wood Interior / No Grommets (4/2012 - 2015)**



Unit No.	White	Terratone®	Sandtone	Forest Green	
<b>18</b>	TW18210	OBD	OBD	OBD	OBD
	TW1832	OBD	OBD	OBD	OBD
	TW1836	OBD	OBD	OBD	OBD
	TW18310	9057875	OBD	OBD	OBD
	TW1842	9057876	OBD	OBD	OBD
	TW1846	9057877	9058185	OBD	OBD
	TW1856E	OBD	OBD	OBD	OBD
	TW18410	OBD	OBD	OBD	OBD
	TW1852	OBD	OBD	OBD	OBD
	TW18510	OBD	OBD	OBD	OBD
	TW1862	9057742	9058086	9057142	OBD
<b>20</b>	TW20210	9057878	9058186	OBD	OBD
	TW2032	9057879	OBD	OBD	OBD
	TW2036	OBD	OBD	OBD	OBD
	TW20310	9057880	9058187	9057265	OBD
	TW2042	9057881	9058188	OBD	OBD
	TW2046	OBD	OBD	9057266	OBD
	TW2056E	OBD	OBD	OBD	OBD
	TW20410	OBD	OBD	OBD	OBD
	TW2052	9057882	9058189	OBD	OBD
	TW20510	OBD	OBD	OBD	OBD
	TW2062	9057883	OBD	OBD	OBD



# 400 Series Tilt-Wash (TW) Windows (1992 to Present)

Standard Windows

## Sash

**Sash - Upper / High-Performance-Low-E4® Sun / 3.0 / Natural Wood Interior / No Grommets (4/2012 - 2015)**



	Unit No.	White	Terratone®	Sandtone	Forest Green
<b>24</b>	TW24210	9057884	OBD	9057267	OBD
	TW2432	9057885	9058190	9057268	OBD
	TW2436	OBD	OBD	OBD	OBD
	TW24310	9057886	OBD	9057269	OBD
	TW2442	OBD	9058191	9057270	OBD
	TW2446	9057887	9058192	9057271	OBD
	TW24410	OBD	OBD	OBD	OBD
	TW2452	9057888	9058193	OBD	OBD
	TW2456E	OBD	OBD	9057134	OBD
	TW24510	OBD	OBD	OBD	OBD
	TW2462	9057889	OBD	OBD	OBD
<b>26</b>	TW26210	OBD	OBD	OBD	OBD
	TW2632	OBD	OBD	OBD	OBD
	TW2636	OBD	OBD	OBD	OBD
	TW26310	OBD	OBD	OBD	OBD
	TW2642	OBD	OBD	OBD	OBD
	TW2646	OBD	OBD	OBD	OBD
	TW26410	OBD	OBD	OBD	OBD
	TW2652	OBD	OBD	OBD	OBD
	TW2656E	OBD	OBD	OBD	OBD
	TW26510	OBD	OBD	OBD	OBD
	TW2662	OBD	OBD	OBD	OBD
<b>28</b>	TW28210	9057890	OBD	OBD	OBD
	TW2832	9057891	OBD	OBD	OBD
	TW2836	OBD	OBD	OBD	OBD
	TW28310	OBD	OBD	OBD	OBD
	TW2842	9057893	OBD	OBD	OBD
	TW2846	OBD	OBD	OBD	OBD
	TW28410	OBD	OBD	OBD	OBD
	TW2852	OBD	OBD	OBD	OBD
	TW2856E	OBD	OBD	9057135	OBD
	TW28510	OBD	OBD	OBD	OBD
	TW2862	9057896	9058196	9057275	OBD

## Sash

**Sash - Upper / High-Performance-Low-E4® Sun / 3.0 / Natural Wood Interior / No Grommets (4/2012 - 2015)**



Unit No.		White	Terratone®	Sandtone	Forest Green
<b>210</b>	TW210210	OBD	OBD	OBD	OBD
	TW21032	OBD	OBD	OBD	OBD
	TW21036	OBD	OBD	OBD	OBD
	TW210310	OBD	OBD	OBD	OBD
	TW21042	OBD	OBD	OBD	OBD
	TW21046	OBD	OBD	OBD	OBD
	TW210410	OBD	OBD	OBD	OBD
	TW21052	OBD	OBD	OBD	OBD
	TW21056E	OBD	OBD	OBD	OBD
	TW210510	OBD	OBD	OBD	OBD
	TW21062	OBD	OBD	OBD	OBD
<b>30</b>	TW30210	9057897	OBD	OBD	OBD
	TW3032	OBD	OBD	OBD	OBD
	TW3036	OBD	OBD	OBD	OBD
	TW30310	OBD	OBD	OBD	OBD
	TW3042	9057900	OBD	9057277	OBD
	TW3046	OBD	OBD	OBD	OBD
	TW30410	OBD	OBD	OBD	OBD
	TW3052	OBD	OBD	OBD	OBD
	TW3056E	OBD	OBD	OBD	OBD
	TW30510	OBD	OBD	OBD	OBD
	TW3062	9057903	9058199	9057280	OBD

# 400 Series Tilt-Wash (TW) Windows (1992 to Present)

Standard Windows

## Sash

**Sash - Upper / High-Performance-Low-E4® Sun / 3.0 / Natural Wood Interior / No Grommets (4/2012 - 2015)**



Unit No.		White	Terratone®	Sandtone	Forest Green
<b>34</b>	TW34210	9057904	9058200	OBD	OBD
	TW3432	9057905	OBD	OBD	OBD
	TW3436	OBD	OBD	OBD	OBD
	TW34310	9057906	OBD	OBD	OBD
	TW3442	9057907	9058201	OBD	OBD
	TW3446	9057908	OBD	OBD	OBD
	TW34410	OBD	OBD	OBD	OBD
	TW3452	OBD	OBD	OBD	OBD
	TW3456E	9058042	OBD	OBD	OBD
	TW34510	OBD	OBD	OBD	OBD
	TW3462	OBD	OBD	OBD	OBD
<b>38</b>	TW38210	OBD	OBD	OBD	OBD
	TW3832	OBD	9058202	OBD	OBD
	TW3836	OBD	OBD	OBD	OBD
	TW38310	OBD	9058203	OBD	OBD
	TW3842	OBD	OBD	9057281	OBD
	TW3846	9057909	9058204	OBD	OBD
	TW38410	OBD	OBD	OBD	OBD
	TW3852	OBD	OBD	OBD	OBD
	TW3856E	OBD	OBD	OBD	OBD
	TW38510	OBD	OBD	OBD	OBD
	TW3862	9057910	OBD	OBD	OBD

## Sash

**Sash - Upper / High-Performance-Low-E4® Sun / 3.0 / Prefinished Interior / No Grommets (4/2012 - 2015)**



Unit No.		White	Unit No.		White	Unit No.		White
<b>18</b>	TW18210	OBD	<b>26</b>	TW26210	OBD	<b>30</b>	TW30210	OBD
	TW1832	9057911		TW2632	OBD		TW3032	OBD
	TW1836	OBD		TW2636	OBD		TW3036	OBD
	TW18310	9057912		TW26310	OBD		TW30310	OBD
	TW1842	9057913		TW2642	OBD		TW3042	OBD
	TW1846	9057914		TW2646	OBD		TW3046	OBD
	TW18410	OBD		TW26410	OBD		TW30410	OBD
	TW1852	OBD		TW2652	OBD		TW3052	OBD
	TW1856E	OBD		TW2656E	OBD		TW3056E	OBD
	TW18510	OBD		TW26510	OBD		TW30510	OBD
TW1862	OBD	TW2662	OBD	TW3062	9057938			
<b>20</b>	TW20210	9057915	<b>28</b>	TW28210	9057927	<b>34</b>	TW34210	OBD
	TW2032	9057916		TW2832	9057928		TW3432	OBD
	TW2036	OBD		TW2836	OBD		TW3436	OBD
	TW20310	9057917		TW28310	OBD		TW34310	9057939
	TW2042	9057918		TW2842	9057930		TW3442	OBD
	TW2046	OBD		TW2846	OBD		TW3446	9057940
	TW20410	OBD		TW28410	OBD		TW34410	OBD
	TW2052	9057919		TW2852	OBD		TW3452	9057941
	TW2056E	OBD		TW2856E	OBD		TW3456E	9058043
	TW20510	OBD		TW28510	OBD		TW34510	OBD
TW2062	9057920	TW2862	9057933	TW3462	OBD			
<b>24</b>	TW24210	9057921	<b>210</b>	TW210210	OBD	<b>38</b>	TW38210	OBD
	TW2432	9057922		TW21032	OBD		TW3832	OBD
	TW2436	OBD		TW21036	OBD		TW3836	OBD
	TW24310	9057923		TW210310	OBD		TW38310	OBD
	TW2442	9057924		TW21042	OBD		TW3842	9057942
	TW2446	9057925		TW21046	OBD		TW3846	9057943
	TW24410	OBD		TW210410	OBD		TW38410	OBD
	TW2452	9057926		TW21052	OBD		TW3852	OBD
	TW2456E	OBD		TW21056E	OBD		TW3856E	OBD
	TW24510	OBD		TW210510	OBD		TW38510	OBD
TW2462	OBD	TW21062	OBD	TW3862	OBD			

# 400 Series Tilt-Wash (TW) Windows (1992 to Present)

Standard Windows

## Sash

### Sash - Upper / Passive Sun / 3.0 / Prefinished Interior / No Grommets (4/2012 - 2015)



**Note:**

Available OBD. Specify White, Terratone®, Sandtone or Forest Green.

### Sash - Upper / Smart Sun / 3.0 / Prefinished Interior / No Grommets (4/2012 - 2015)



**Note:**

Available OBD. Specify White, Terratone®, Sandtone or Forest Green.

### Sash - Upper / Old Sun / 3.0 / Prefinished Interior / No Grommets (4/2012 - 2015)



**Note:**

Available OBD. Specify White, Terratone®, Sandtone or Forest Green.

## Sash

### Sash - Upper / with Grommets

**Note:**

Sash ships with [Service Guide 0005177](#).

### Sash - Upper / High-Performance-Low-E4® / Natural Wood Interior / With Grommets (1992 - 5/2010)

	Unit No.	White	Terratone®	Sandtone	Forest Green
<b>18</b>	TW18210	1618550	2720150	1144501	OBD
	TW1832	1618551	2720151	1144502	OBD
	TW1836	1618857	OBD	OBD	OBD
	TW18310	1618552	2720152	1144503	0312352
	TW1842	1618553	2720153	1144504	OBD
	TW1846	1618554	2720154	1144505	0312354
	TW1856E	1647372	OBD	OBD	OBD
	TW18410	1618858	OBD	OBD	OBD
	TW1852	1618555	2720155	1144506	OBD
	TW18510	1618859	OBD	OBD	OBD
	TW1862	1618556	2720156	1144507	OBD
<b>20</b>	TW20210	1618557	2720157	1144508	0312357
	TW2032	1618558	2720158	1144509	0312358
	TW2036	1618860	OBD	OBD	OBD
	TW20310	1618559	2720159	1144510	0312359
	TW2042	1618560	2720160	1144511	0312360
	TW2046	1618561	2720161	1144512	0312361
	TW2056E	1647373	2737111	1108138	0321041
	TW20410	1618861	OBD	OBD	OBD
	TW2052	1618562	2720162	1144513	0312362
	TW20510	1618862	OBD	OBD	OBD
	TW2062	1618563	2720163	1144514	OBD
<b>24</b>	TW24210	1618564	2720164	1144515	0312364
	TW2432	1618565	2720165	1144516	0312365
	TW2436	1618863	2705363	1103363	0315263
	TW24310	1618566	2720166	1144517	0312366
	TW2442	1618567	2720167	1144518	0312367
	TW2446	1618568	2720168	1144519	0312368
	TW24410	1618864	2705364	1103364	0315264
	TW2452	1618569	2720169	1144520	OBD
	TW2456E	1647374	2737112	1108139	OBD
	TW24510	1618865	OBD	OBD	OBD
TW2462	1618570	2720170	1144521	OBD	

# 400 Series Tilt-Wash (TW) Windows (1992 to Present)

*Standard Windows*

## Sash

<b>Sash - Upper / High-Performance-Low-E4® / Natural Wood Interior / With Grommets (1992 - 5/2010)</b>					
	<b>Unit No.</b>	<b>White</b>	<b>Terratone®</b>	<b>Sandtone</b>	<b>Forest Green</b>
<b>26</b>	TW26210	1618866	OBD	OBD	OBD
	TW2632	1618867	2705367	1103367	0315267
	TW2636	1618868	OBD	OBD	OBD
	TW26310	1618869	2705369	1103369	0315269
	TW2642	1618870	2705370	1103370	0315270
	TW2646	1618871	2705371	1103371	0315271
	TW26410	1618872	2705372	1103372	0315272
	TW2652	1618873	OBD	OBD	OBD
	TW2656E	1647393	OBD	OBD	OBD
	TW26510	1618875	OBD	OBD	OBD
TW2662	1618876	OBD	OBD	OBD	
<b>28</b>	TW28210	1618571	2720171	1144522	0312371
	TW2832	1618572	2720172	1144523	0312372
	TW2836	1618877	2705377	1103377	0315277
	TW28310	1618573	2720173	1144524	0312373
	TW2842	1618574	2720174	1144525	0312374
	TW2846	1618575	2720175	1144526	0312375
	TW28410	1618878	2705378	1103378	0315278
	TW2852	1618576	2720176	1144527	0312376
	TW2856E	1647375	2737113	1108140	0321043
	TW28510	1618879	OBD	OBD	OBD
<b>210</b>	TW210210	1618880	2705380	1103380	0315280
	TW21032	1618881	2705381	1103381	0315281
	TW21036	1618882	2705382	1103382	0315282
	TW210310	1618883	2705383	1103383	0315283
	TW21042	1618884	2705384	1103384	0315284
	TW21046	1618885	2705385	1103385	0315285
	TW210410	1618886	OBD	OBD	OBD
	TW21052	1618887	2705387	1103387	0315287
	TW21056E	1647394	OBD	OBD	OBD
	TW210510	1618889	OBD	OBD	OBD
TW21062	1618890	OBD	OBD	OBD	

## Sash

<b>Sash - Upper / High-Performance-Low-E4® / Natural Wood Interior / With Grommets (1992 - 5/2010)</b>					
Unit No.	White	Terratone®	Sandtone	Forest Green	
<b>30</b>	TW30210	1618578	2720178	1144529	0312378
	TW3032	1618579	2720179	1144530	0312379
	TW3036	1618891	OBD	OBD	OBD
	TW30310	1618580	2720180	1144531	0312380
	TW3042	1618581	2720181	1144532	0312381
	TW3046	1618582	2720182	1144533	0312382
	TW30410	1618892	2705392	1103392	0315292
	TW3052	1618583	2720183	1144534	0312383
	TW3056E	1647376	2737114	1108141	OBD
	TW30510	1618893	OBD	OBD	OBD
TW3062	1618584	2720184	1144535	0312384	
<b>34</b>	TW34210	1618585	2720185	1144536	OBD
	TW3432	1618586	2720186	1144537	0312386
	TW3436	1618894	OBD	OBD	OBD
	TW34310	1618587	2720187	1144538	OBD
	TW3442	1618588	2720188	1144539	0312388
	TW3446	1618589	2720189	1144540	0312389
	TW34410	1618895	OBD	OBD	OBD
	TW3452	1618590	2720190	1144541	OBD
	TW3456E	1647377	OBD	1108142	0321045
	TW34510	1618896	OBD	OBD	OBD
TW3462	1618591	2720191	1144542	0312391	
<b>38</b>	TW38210	1618592	2720192	1144543	0312392
	TW3832	1618593	2720193	1144544	OBD
	TW3836	1618897	OBD	OBD	OBD
	TW38310	1618594	2720194	1144545	OBD
	TW3842	1618595	2720195	1144546	OBD
	TW3846	1618596	2720196	1144547	0312396
	TW38410	1618898	OBD	OBD	OBD
	TW3852	1618597	2720197	1144548	OBD
	TW3856E	1647378	2737116	1108143	OBD
	TW38510	1618899	OBD	OBD	OBD
TW3862	1618598	2720198	1144549	OBD	



# 400 Series Tilt-Wash (TW) Windows (1992 to Present)

Standard Windows

## Sash

Sash - Upper / High-Performance Low-E4® / Prefinished Interior / With Grommets (1992 - 5/2010)								
	Unit No.	White		Unit No.	White		Unit No.	White
<b>18</b>	TW18210	1618650	<b>26</b>	TW26210	1619766	<b>30</b>	TW30210	1618678
	TW1832	1618651		TW2632	1619767		TW3032	1618679
	TW1836	1619757		TW2636	1619768		TW3036	1619791
	TW18310	1618652		TW26310	1619769		TW30310	1618680
	TW1842	1618653		TW2642	1619770		TW3042	1618681
	TW1846	1618654		TW2646	1619771		TW3046	1618682
	TW18410	1619758		TW26410	1619772		TW30410	1619792
	TW1852	1618655		TW2652	1619773		TW3052	1618683
	TW1856E	1647379		TW2656E	1647410		TW3056E	1647383
	TW18510	1619759		TW26510	1619775		TW30510	1619793
TW1862	1618656	TW2662	1619776	TW3062	1618684			
<b>20</b>	TW20210	1618657	<b>28</b>	TW28210	1618671	<b>34</b>	TW34210	1618685
	TW2032	1618658		TW2832	1618672		TW3432	1618686
	TW2036	1619760		TW2836	1619777		TW3436	1619794
	TW20310	1618659		TW28310	1618673		TW34310	1618687
	TW2042	1618660		TW2842	1618674		TW3442	1618688
	TW2046	1618661		TW2846	1618675		TW3446	1618689
	TW20410	1619761		TW28410	1619778		TW34410	1619795
	TW2052	1618662		TW2852	1618676		TW3452	1618690
	TW2056E	1647380		TW2856E	1647382		TW3456E	1647384
	TW20510	1619762		TW28510	1619779		TW34510	1619796
	TW2062	1618663		TW2862	1618677		TW3462	1618691
<b>24</b>	TW24210	1618664	<b>210</b>	TW210210	1619780	<b>38</b>	TW38210	1618692
	TW2432	1618665		TW21032	1619781		TW3832	1618693
	TW2436	1619763		TW21036	1619782		TW3836	1619797
	TW24310	1618666		TW210310	1619783		TW38310	1618694
	TW2442	1618667		TW21042	1619784		TW3842	1618695
	TW2446	1618668		TW21046	1619785		TW3846	1618696
	TW24410	1619764		TW210410	1619786		TW38410	1619798
	TW2452	1618669		TW21052	1619787		TW3852	1618697
	TW2456E	1647381		TW21056E	1647411		TW3856E	1647385
	TW24510	1619765		TW210510	1619789		TW38510	1619799
TW2462	1618670	TW21062	1619790	TW3862	1618698			

## Sash

<b>Sash - Upper / High-Performance Low-E4® Sun 3 / Natural Wood Interior / With Grommets (1992 - 5/2010)</b>				
	<b>Unit No.</b>	<b>White</b>	<b>Terratone®</b>	<b>Sandtone</b>
<b>18</b>	TW18210	OBD	OBD	1144901
	TW1832	OBD	OBD	OBD
	TW1836	OBD	OBD	OBD
	TW18310	1618903	OBD	OBD
	TW1842	1618904	OBD	OBD
	TW1846	1618905	2720354	OBD
	TW18410	OBD	OBD	OBD
	TW1852	OBD	OBD	OBD
	TW1856E	OBD	OBD	OBD
	TW18510	OBD	OBD	OBD
	TW1862	OBD	OBD	OBD
<b>20</b>	TW20210	1618908	2720357	OBD
	TW2032	1618909	OBD	OBD
	TW2036	OBD	OBD	OBD
	TW20310	1618910	2720359	1144910
	TW2042	1618911	2720360	OBD
	TW2046	OBD	OBD	1144912
	TW20410	OBD	OBD	OBD
	TW2052	1618913	2720362	OBD
	TW2056E	OBD	OBD	OBD
	TW20510	OBD	OBD	OBD
	TW2062	1618914	OBD	OBD
<b>24</b>	TW24210	1618915	OBD	1144915
	TW2432	1618916	2720365	1144916
	TW2436	OBD	OBD	OBD
	TW24310	1618917	OBD	1144917
	TW2442	OBD	2720367	1144918
	TW2446	1618919	2720368	1144919
	TW24410	OBD	OBD	OBD
	TW2452	1618920	2720369	OBD
	TW 2456E	OBD	OBD	1108162
	TW24510	OBD	OBD	OBD
TW2462	1618921	OBD	OBD	

## 400 Series Tilt-Wash (TW) Windows (1992 to Present)

*Standard Windows*

### Sash

<b>Sash - Upper / High-Performance Low-E4® Sun 3 / Natural Wood Interior / With Grommets (1992 - 5/2010)</b>				
	<b>Unit No.</b>	<b>White</b>	<b>Terratone®</b>	<b>Sandtone</b>
<b>26</b>	TW26210	OBD	OBD	OBD
	TW2632	OBD	OBD	OBD
	TW2636	OBD	OBD	OBD
	TW26310	OBD	OBD	OBD
	TW2642	OBD	OBD	OBD
	TW2646	OBD	OBD	OBD
	TW26410	OBD	OBD	OBD
	TW2652	OBD	OBD	OBD
	TW26510	OBD	OBD	OBD
	TW2662	OBD	OBD	OBD
<b>28</b>	TW28210	1618922	OBD	OBD
	TW2832	1618923	OBD	OBD
	TW2836	OBD	OBD	OBD
	TW28310	1618924	OBD	1144924
	TW2842	1618925	OBD	OBD
	TW2846	1618926	2720375	1144926
	TW28410	OBD	OBD	OBD
	TW2852	1618927	2720376	1144927
	TW2856E	OBD	OBD	1108163
	TW28510	OBD	OBD	OBD
	TW2862	1618928	2720377	1144928
<b>210</b>	TW210210	OBD	OBD	OBD
	TW21032	OBD	OBD	OBD
	TW21036	OBD	OBD	OBD
	TW210310	OBD	OBD	OBD
	TW21042	OBD	OBD	OBD
	TW21046	OBD	OBD	OBD
	TW210410	OBD	OBD	OBD
	TW21052	OBD	OBD	OBD
	TW210510	OBD	OBD	OBD
	TW21062	OBD	OBD	OBD

## Sash

<b>Sash - Upper / High-Performance Low-E4® Sun 3 / Natural Wood Interior / With Grommets (1992 - 5/2010)</b>				
	<b>Unit No.</b>	<b>White</b>	<b>Terratone®</b>	<b>Sandtone</b>
<b>30</b>	TW30210	1618929	OBD	OBD
	TW3032	1618930	OBD	OBD
	TW3036	OBD	OBD	OBD
	TW30310	1618931	2720380	1144931
	TW3042	1618932	OBD	1144932
	TW3046	1618933	2720382	1144933
	TW30410	OBD	OBD	OBD
	TW3052	1618934	OBD	1144934
	TW3056E	OBD	OBD	OBD
	TW30510	OBD	OBD	OBD
	TW3062	1618935	2720384	1144935
<b>34</b>	TW34210	1618936	2720385	OBD
	TW3432	1618937	OBD	OBD
	TW3436	OBD	OBD	OBD
	TW34310	1618938	OBD	OBD
	TW3442	1618939	2720388	OBD
	TW3446	1618940	2720389	OBD
	TW34410	OBD	OBD	OBD
	TW3452	OBD	OBD	OBD
	TW3456E	1647401	OBD	OBD
	TW34510	OBD	OBD	OBD
	TW3462	OBD	OBD	OBD
<b>38</b>	TW38210	OBD	OBD	OBD
	TW3832	OBD	2720393	OBD
	TW3836	OBD	OBD	OBD
	TW38310	OBD	2720394	OBD
	TW3842	OBD	OBD	1144946
	TW3846	1618947	2720396	OBD
	TW38410	OBD	OBD	OBD
	TW3852	OBD	OBD	OBD
	TW3856E	OBD	OBD	OBD
	TW38510	OBD	OBD	OBD
	TW3862	1618949	OBD	OBD

# 400 Series Tilt-Wash (TW) Windows (1992 to Present)

Standard Windows

## Sash

Sash - Upper / High-Performance Low-E4® Sun 3 / Prefinished Interior / With Grommets (1992 - 5/2010)								
	Unit No.	White		Unit No.	White			
<b>18</b>	TW18210	OBD	<b>26</b>	TW26210	OBD	<b>30</b>	TW30210	OBD
	TW1832	1618951		TW2632	OBD		TW3032	1618979
	TW1836	OBD		TW2636	OBD		TW3036	OBD
	TW18310	1618952		TW26310	OBD		TW30310	1618980
	TW1842	1618953		TW2642	OBD		TW3042	OBD
	TW1846	1618954		TW2646	OBD		TW3046	OBD
	TW18410	OBD		TW26410	OBD		TW30410	OBD
	TW1852	OBD		TW2652	OBD		TW3052	1618983
	TW1856E	OBD		TW2656E	OBD		TW3056E	OBD
	TW18510	OBD		TW26510	OBD		TW30510	OBD
TW1862	OBD	TW2662	OBD	TW3062	1618984			
<b>20</b>	TW20210	1618957	<b>28</b>	TW28210	1618971	<b>34</b>	TW34210	OBD
	TW2032	1618958		TW2832	1618972		TW3432	OBD
	TW2036	OBD		TW2836	OBD		TW3436	OBD
	TW20310	1618959		TW28310	1618973		TW34310	1618987
	TW2042	1618960		TW2842	1618974		TW3442	OBD
	TW2046	OBD		TW2846	1618975		TW3446	1618989
	TW20410	OBD		TW28410	OBD		TW34410	OBD
	TW2052	1618962		TW2852	1618976		TW3452	1618990
	TW2056E	OBD		TW2856E	OBD		TW3456E	1647408
	TW20510	OBD		TW28510	OBD		TW34510	OBD
TW2062	1618963	TW2862	1618977	TW3462	OBD			
<b>24</b>	TW24210	1618964	<b>38</b>	TW210210	OBD	<b>38</b>	TW38210	OBD
	TW2432	1618965		TW21032	OBD		TW3832	OBD
	TW2436	OBD		TW21036	OBD		TW3836	OBD
	TW24310	1618966		TW210310	OBD		TW38310	OBD
	TW2442	1618967		TW21042	OBD		TW3842	1618995
	TW2446	1618968		TW21046	OBD		TW3846	1618996
	TW24410	OBD		TW210410	OBD		TW38410	OBD
	TW2452	1618969		TW21052	OBD		TW3852	OBD
	TW2456E	OBD		TW21056E			TW3856E	OBD
	TW24510	OBD		TW210510	OBD		TW38510	OBD
TW2462	OBD	TW21062	OBD	TW3862	OBD			

**Sash - Upper / High-Performance Sun II / Natural Wood Interior / With Grommets (1992 - 5/2010)**

**Note:**  
Available OBD. Specify White, Terratone®, Sandtone or Forest Green.

**Sash - Upper / High-Performance Sun II / Prefinished Interior / With Grommets (1992 - 5/2010)**

**Note:**  
Available OBD in White.

## Sash

### Sash - Upper / High-Performance Low-E4® Finelight / Natural Wood Interior / With Grommets (1992 - 5/2010)

**Note:**

Available OBD in Terratone® and Sandtone.

Unit No.		White	Unit No.		White	Unit No.		White
<b>18</b>	TW18210	1615250	<b>26</b>	TW26210	1615169	<b>30</b>	TW30210	1615278
	TW1832	1615251		TW2632	1615170		TW3032	1615279
	TW1836	OBD		TW2636	1615171		TW3036	1615182
	TW18310	OBD		TW26310	1615172		TW30310	1615280
	TW1842	1615253		TW2642	1615173		TW3042	1615281
	TW1846	1615254		TW2646	1615174		TW3046	1615282
	TW18410	1615151		TW26410	1615175		TW30410	1615183
	TW1852	1615255		TW2652	1615176		TW3052	1615283
	TW1856E	1647365		TW2656E	1647364		TW3056E	1647369
	TW18510	OBD		TW26510	1615177		TW30510	1615184
TW1862	1615256	TW2662	OBD	TW3062	1615284			
<b>20</b>	TW20210	1615257	<b>28</b>	TW28210	1615271	<b>34</b>	TW34210	1615285
	TW2032	1615258		TW2832	1615272		TW3432	1615286
	TW2036	1615153		TW2836	1615179		TW3436	1615185
	TW20310	1615259		TW28310	1615273		TW34310	1615287
	TW2042	1615260		TW2842	1615274		TW3442	1615288
	TW2046	1615261		TW2846	1615275		TW3446	1615289
	TW20410	1615154		TW28410	1615180		TW34410	1615186
	TW2052	1615262		TW2852	1615276		TW3452	1615290
	TW2056E	1647366		TW2856E	1647368		TW3456E	1647370
	TW20510	OBD		TW28510	1615181		TW34510	1615187
TW2062	1615263	TW2862	1615277	TW3462	1615291			
<b>24</b>	TW24210	1615264	<b>210</b>	TW210210	1615156	<b>38</b>	TW38210	OBD
	TW2432	1615265		TW21032	1615157		TW3832	1615293
	TW2436	1615166		TW21036	1615158		TW3836	OBD
	TW24310	1615266		TW210310	1615159		TW38310	1615294
	TW2442	1615267		TW21042	1615160		TW3842	1615295
	TW2446	1615268		TW21046	1615161		TW3846	1615296
	TW24410	1615167		TW210410	1615162		TW38410	1615189
	TW2452	1615269		TW21052	1615163		TW3852	1615297
	TW2456E	1647367		TW21056E	1647363		TW3856E	1647371
	TW24510	1615168		TW210510	1615164		TW38510	OBD
TW2462	1615270	TW21062	1615165	TW3862	1615298			

### Sash - Upper / High-Performance Low-E4® Finelight / Prefinished Interior / With Grommets (1992 - 5/2010)

**Note:**

Available OBD in White.

## 400 Series Tilt-Wash (TW) Windows (1992 to Present)

*Standard Windows*

### Sash

<b>Sash - Upper / HP Low-E4® Tempered / Natural Wood Interior / With Grommets (1992 - 5/2010)</b>				
	<b>Unit No.</b>	<b>White</b>	<b>Terratone®</b>	<b>Sandtone</b>
<b>18</b>	TW18210	1618750	OBD	OBD
	TW1832	1618751	OBD	OBD
	TW1836	1620450	OBD	OBD
	TW18310	1618752	OBD	OBD
	TW1842	1618753	OBD	OBD
	TW1846	1618754	OBD	OBD
	TW18410	1620451	OBD	OBD
	TW1852	1618755	OBD	OBD
	TW1856E	OBD	OBD	OBD
	TW18510	1620452	OBD	OBD
	TW1862	1618756	OBD	OBD
<b>20</b>	TW20210	1618757	OBD	1144408
	TW2032	1618758	2709358	OBD
	TW2036	1620453	OBD	OBD
	TW20310	1618759	2709359	1144410
	TW2042	1618760	2709360	1144411
	TW2046	1618761	OBD	OBD
	TW20410	1620454	OBD	OBD
	TW2052	1618762	2709362	1144413
	TW2056E	OBD	OBD	OBD
	TW20510	1620455	OBD	OBD
	TW2062	1618763	OBD	OBD
<b>24</b>	TW24210	1618764	OBD	OBD
	TW2432	1618765	2709365	1144416
	TW2436	1620466	OBD	OBD
	TW24310	1618766	2709366	1144417
	TW2442	1618767	OBD	1144418
	TW2446	1618768	2709368	1144419
	TW24410	1620467	OBD	OBD
	TW2452	1618769	2709369	1144420
	TW2456E	1647388	2737103	OBD
	TW24510	1620468	OBD	OBD
	TW2462	1618770	OBD	OBD

## Sash

<b>Sash - Upper / HP Low-E4® Tempered / Natural Wood Interior / With Grommets (1992 - 5/2010)</b>				
	<b>Unit No.</b>	<b>White</b>	<b>Terratone®</b>	<b>Sandtone</b>
<b>26</b>	TW26210	1620469	OBD	OBD
	TW2632	1620470	OBD	OBD
	TW2636	1620471	OBD	OBD
	TW26310	1620472	OBD	OBD
	TW2642	1620473	OBD	OBD
	TW2646	1620474	OBD	OBD
	TW26410	1620475	OBD	OBD
	TW2652	1620476	OBD	OBD
	TW2656E	OBD	OBD	OBD
	TW26510	OBD	OBD	OBD
	TW2662	OBD	OBD	OBD
<b>28</b>	TW28210	1618771	2709371	OBD
	TW2832	1618772	2709372	OBD
	TW2836	1620479	OBD	OBD
	TW28310	1618773	2709373	1144424
	TW2842	1618774	2709374	1144425
	TW2846	1618775	2709375	1144426
	TW28410	1620480	OBD	OBD
	TW2852	1618776	2709376	1144427
	TW2856E	1647389	OBD	OBD
	TW28510	1620481	OBD	OBD
	TW2862	1618777	OBD	OBD
<b>210</b>	TW210210	1620456	OBD	OBD
	TW21032	1620457	OBD	OBD
	TW21036	1620458	OBD	OBD
	TW210310	1620459	OBD	OBD
	TW21042	1620460	OBD	OBD
	TW21046	1620461	OBD	OBD
	TW210410	1620462	OBD	OBD
	TW21052	1620463	OBD	OBD
	TW21056E	OBD	OBD	OBD
	TW210510	1620464	OBD	OBD
	TW21062	1620465	OBD	OBD



## 400 Series Tilt-Wash (TW) Windows (1992 to Present)

*Standard Windows*

### Sash

<b>Sash - Upper / HP Low-E4® Tempered / Natural Wood Interior / With Grommets (1992 - 5/2010)</b>				
	<b>Unit No.</b>	<b>White</b>	<b>Terratone®</b>	<b>Sandtone</b>
<b>30</b>	TW30210	1618778	OBD	OBD
	TW3032	1618779	2709379	1144430
	TW3036	1620482	OBD	OBD
	TW30310	1618780	2709380	1144431
	TW3042	1618781	2709381	1144432
	TW3046	1618782	2709382	1144433
	TW30410	1620483	OBD	OBD
	TW3052	1618783	2709383	1144434
	TW3056E	1647390	OBD	1108134
	TW30510	1620484	OBD	OBD
	TW3062	1618784	2709384	1144435
<b>34</b>	TW34210	1618785	OBD	OBD
	TW3432	1618786	OBD	OBD
	TW3436	1620485	OBD	OBD
	TW34310	1618787	OBD	1144438
	TW3442	1618788	OBD	OBD
	TW3446	1618789	OBD	1144440
	TW34410	1620486	OBD	OBD
	TW3452	1618790	OBD	1144441
	TW3456E	1647391	OBD	OBD
	TW34510	OBD	OBD	OBD
	TW3462	1618791	OBD	OBD
<b>38</b>	TW38210	OBD	OBD	OBD
	TW3832	1618793	OBD	OBD
	TW3836	1620488	OBD	OBD
	TW38310	1618794	OBD	OBD
	TW3842	1618795	OBD	OBD
	TW3846	1618796	OBD	1144447
	TW38410	1620489	OBD	OBD
	TW3852	1618797	OBD	OBD
	TW3856E	OBD	OBD	OBD
	TW38510	1620490	OBD	OBD
	TW3862	1618798	OBD	OBD

## Sash

Sash - Upper / HP Low-E4® Tempered / Prefinished Interior / With Grommets (1992 - 5/2010)								
Unit No.		White	Unit No.		White	Unit No.		White
<b>18</b>	TW18210	1612550	<b>26</b>	TW26210	OBD	<b>30</b>	TW30210	1612578
	TW1832	1612551		TW2632	OBD		TW3032	1612579
	TW1836	1621050		TW2636	OBD		TW3036	OBD
	TW18310	1612552		TW26310	OBD		TW30310	1612580
	TW1842	1612553		TW2642	1621073		TW3042	1612581
	TW1846	1612554		TW2646	1621074		TW3046	1612582
	TW18410	OBD		TW26410	1621075		TW30410	1621083
	TW1852	1612555		TW2652	1621076		TW3052	1612583
	TW1856E	1647340		TW2656E	OBD		TW3056E	1647344
	TW18510	OBD		TW26510	OBD		TW30510	1621084
TW1862	1612556	TW2662	1621078	TW3062	1612584			
<b>20</b>	TW20210	1612557	<b>28</b>	TW28210	1612571	<b>34</b>	TW34210	OBD
	TW2032	1612558		TW2832	1612572		TW3432	OBD
	TW2036	1621053		TW2836	1621079		TW3436	OBD
	TW20310	1612559		TW28310	1612573		TW34310	1612587
	TW2042	1612560		TW2842	1612574		TW3442	1612588
	TW2046	1612561		TW2846	1612575		TW3446	1612589
	TW20410	1621054		TW28410	1621080		TW34410	OBD
	TW2052	1612562		TW2852	1612576		TW3452	1612590
	TW2056E	1647341		TW2856E	OBD		TW3456E	OBD
	TW20510	1621055		TW28510	OBD		TW34510	OBD
TW2062	1612563	TW2862	1612577	TW3462	OBD			
<b>24</b>	TW24210	1612564	<b>210</b>	TW210210	1621056	<b>38</b>	TW38210	OBD
	TW2432	1612565		TW21032	OBD		TW3832	OBD
	TW2436	1621066		TW21036	OBD		TW3836	1621088
	TW24310	1612566		TW210310	1621059		TW38310	1612594
	TW2442	1612567		TW21042	1621060		TW3842	OBD
	TW2446	1612568		TW21046	1621061		TW3846	OBD
	TW24410	1621067		TW210410	1621062		TW38410	OBD
	TW2452	1612569		TW21052	OBD		TW3852	1612597
	TW2456E	1647342		TW21056E	OBD		TW3856E	OBD
	TW24510	OBD		TW210510	1621064		TW38510	1621090
TW2462	1612570	TW21062	OBD	TW3862	OBD			

# 400 Series Tilt-Wash (TW) Windows (1992 to Present)

Standard Windows

## Sash

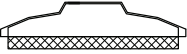

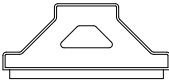
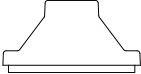
### Sash - Upper / Permanently Applied Grilles

#### Sash - Upper / Permanently Applied Grilles

**Note:**

Sash available with LDN (Low definition) and HDN (High definition) grilles permanently applied to the interior and/or exterior. Specify profile, pattern and exterior color for exterior grille and profile, pattern and interior finish for interior grille along with size, glazing and sash grommet detail (with grommets or without grommets). LDN was only available on 5/8" glass. Sash ships with [Service Guide 0005177](#).

#### Grille Type

LDN Ribbed	LDN Flat	HDN	
1996 - 2005	1990 - 1998	6/2002 - current	
Exterior	Exterior	Exterior	Interior
			

#### Grille Options

Profile	Pattern	Exterior Color	Interior Finish
3/4	Colonial	White	White
7/8	Prairie A	Sandtone	Sandtone
1 1/8	Specified Equal Lite	Terratone®	Terratone®
		Forest Green	Forest Green
			Natural Wood

#### Sash - Upper / HDN Glazing Bead with no HDN grilles applied

**Note:**

**Units** with HDN (High definition) grilles permanently applied to the interior and/or exterior may have an upper or lower **sash** that does **not** have HDN grilles. These sash will use HDN glazing bead to match the bead in both the upper and lower sash, even though the sash does **not** have HDN grilles applied.

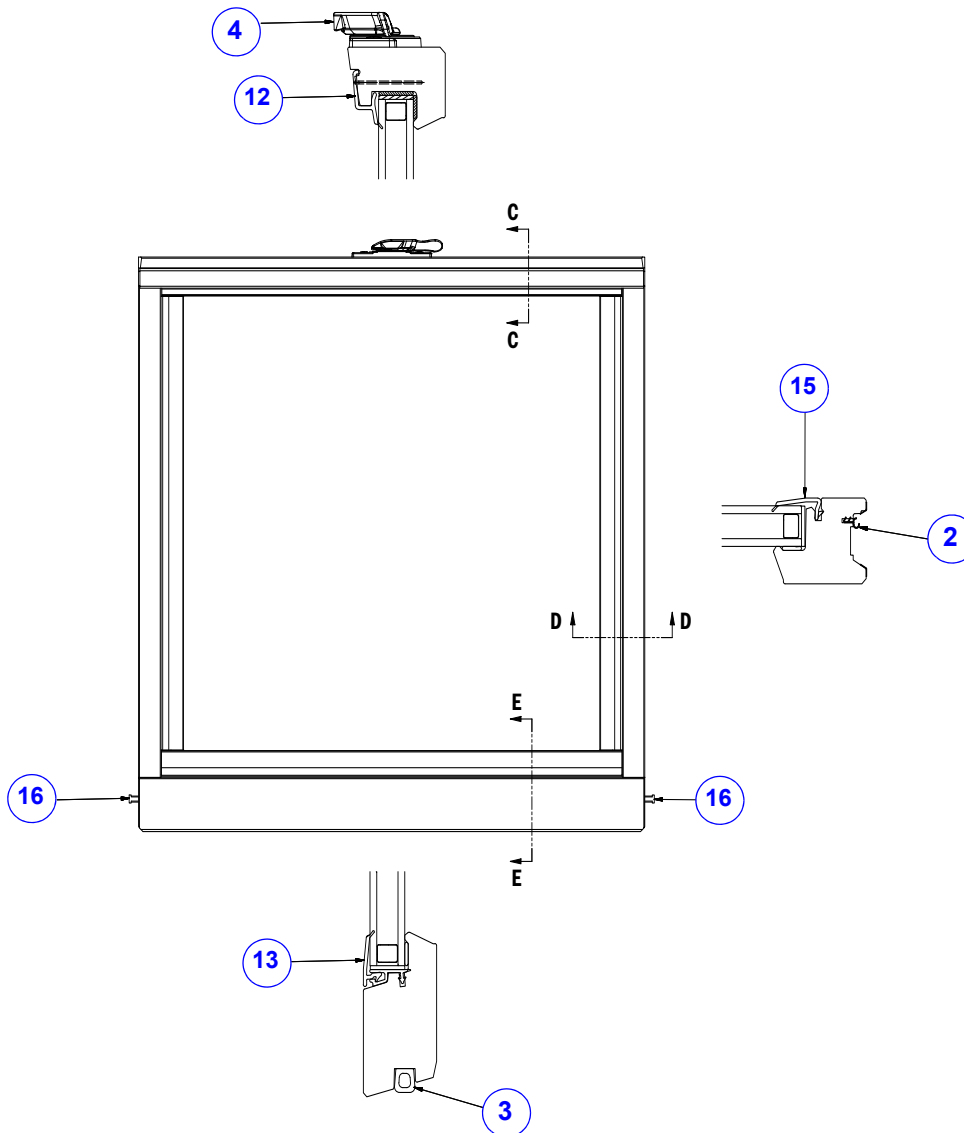
Available OBD. Specify White, Terratone®, Sandtone or Forest Green.

# Sash

## Sash Graphic - Lower

**Note:**

See latest [Product Details](#).



- |   |   |
|---|---|
| 1. Silicone Glazing                         | 9. Bottom Rail                                    |
| 2. <a href="#">Stile Weatherstrip</a>       | 11. <a href="#">Grille Grommets</a> (Not shown)   |
| 3. <a href="#">Bottom Rail Weatherstrip</a> | 12. <a href="#">Lower Check Rail Glazing Bead</a> |
| 4. <a href="#">Sash Lock</a>                | 13. <a href="#">Bottom Rail Glazing Bead</a>      |
| 5. <a href="#">Sash Lift</a> (Not shown)    | 14. Bottom Rail Glazing Bead Channel              |
| 6. Check Rail                               | 15. <a href="#">Stile Glazing Bead</a>            |
| 7. Right Stile                              | 16. <a href="#">Pivot Pin</a>                     |
| 8. Left Stile                               |   |

### Tilt-Wash Double-Hung Lower Sash

*Sash viewed from exterior*

# 400 Series Tilt-Wash (TW) Windows (1992 to Present)

Standard Windows

## Sash

### Sash - Lower / No Grommets

Prior to 4/2012



4/2012 to present



4/2012 to 10/2015



#### Note:

Use logo information etched in glass to **identify** glazing type. When using/ordering for Conversion Kits the 310 and 46 sizes are **not** impacted by design changes made in 2017.

**After** April 2012, glass was etched with 2.2 or 3.0 in logo for High Performance, HP Sun, HP Smart Sun and HP Passive Sun glazings. Etched with 2.2 shown below or 3.0 on [page 122](#).

**Before** April 2012, glass was **not** etched with 2.2 or 3.0 in logo for High Performance, HP Sun, HP Smart Sun and HP Passive Sun glazings. No etching in glass uses 2.2 glass shown below.

Finelight and Full Divided Light Glass use 2.2.

Sash height dimensions changed in 2017

#### After March 2017:

- 46 lower **decreased** by  $\frac{1}{2}$ " (Part numbers for both vintages are shown in charts below)
- 56 Cottage lower **decreased** by  $\frac{1}{2}$ " (Part numbers for both vintages are shown in charts below)
- 56 Reverse Cottage lower **decreased** by  $\frac{1}{2}$ " (Not part numbered for lower, both vintages available as configured items)

#### After August 2017:

- 310 lower **decreased** by  $\frac{1}{2}$ " (Part numbers for both vintages are shown in charts below)

Sash ships with [Service Guide 0005177](#). See [Sash Replacement Video](#).

## Sash

### Sash - Lower / High-Performance / Natural Wood Interior / 2.2 / No Grommets

#### Sash - Lower / High-Performance Low-E4® / Natural Wood Interior / 2.2 / No Grommets (5/2010 - Present)

**Note:**

Use as replacement sash for HP glazing. Sash being **replaced** prior to April of 2012 **will not** have 2.2 etching in glass. Sash being **replaced** after April 2012 **will** have 2.2 etching in glass.



Unit No.	White	Terratone®	Sandtone	Forest Green	
18	TW18210	9035323	9036570	9035196	9034991
	TW1832	9035324	9036571	9035197	OBD
	TW1836	9035532	OBD	OBD	OBD
	TW18310 (5/2010 - 8/2017)	9035325	9036572	9035198	9034992
	TW18310 (9/2017 - Present)	9168971	9169102	9168953	9168927
	TW1842	9035326	9036573	9035199	9034993
	TW1846 (5/2010 - 3/2017)	9035327	9036574	9035200	9034994
	TW1846 (4/2017 - Present)	9159669	9159655	9159630	9159606
	TW18410	9035533	OBD	OBD	OBD
	TW1852	9035328	9036575	9035201	OBD
	TW1856E	9036357	9036676	OBD	OBD
	TW1856C (5/2010 - 3/2017)	9035329	9036576	9035202	OBD
	TW1856C (4/2017 - Present)	9159670	9159656	9159631	OBD
	TW18510	9035534	OBD	OBD	OBD
TW1862	9035330	9036577	9035203	OBD	
20	TW20210	9035331	9036578	9035204	9034995
	TW2032	9035332	9036579	9035205	9034996
	TW2036	9035535	OBD	OBD	OBD
	TW20310 (5/2010 - 8/2017)	9035333	9036580	9035206	9034997
	TW20310 (9/2017 - Present)	9168972	9169103	9168954	9168928
	TW2042	9035334	9036581	9035207	9034998
	TW2046 (5/2010 - 3/2017)	9035335	9036582	9035208	9034999
	TW2046 (4/2017 - Present)	9159671	9159657	9159632	9159607
	TW20410	9035536	OBD	OBD	OBD
	TW2052	9035336	9036583	9035209	9035000
	TW2056E	9036358	9036677	9035112	9035070
	TW2056C (5/2010 - 3/2017)	9035337	9036584	9035210	OBD
	TW2056C (4/2017 - Present)	9159672	9159658	9159633	OBD
	TW20510	9035537	OBD	OBD	OBD
TW2062	9035338	9036585	9035211	OBD	

# 400 Series Tilt-Wash (TW) Windows (1992 to Present)

Standard Windows

## Sash

### Sash - Lower / High-Performance / Natural Wood Interior / 2.2 / No Grommets

#### Sash - Lower / High-Performance Low-E4® / Natural Wood Interior / 2.2 / No Grommets (5/2010 - Present)

**Note:**

Use as replacement sash for HP glazing. Sash being **replaced** prior to April of 2012 **will not** have 2.2 etching in glass. Sash being **replaced** after April 2012 **will** have 2.2 etching in glass.



	Unit No.	White	Terratone®	Sandtone	Forest Green
24	TW24210	9035339	9036586	9035212	9035001
	TW2432	9035340	9036587	9035213	9035002
	TW2436	9035538	9036441	9035071	9035033
	TW24310 (5/2010 - 8/2017)	9035341	9036588	9035214	9035003
	TW24310 (9/2017 - Present)	9168973	9169104	9168955	9168929
	TW2442	9035342	9036589	9035215	9035004
	TW2446 (5/2010 - 3/2017)	9035343	9036590	9035216	9035005
	TW2446 (4/2017 - Present)	9159673	9159659	9159634	9159608
	TW24410	9035539	9036442	9035072	9035034
	TW2452	9035344	9036591	9035217	9035006
	TW2456E	9036359	9036678	9035113	OBD
	TW2456C (5/2010 - 3/2017)	9035345	9036592	9035218	OBD
	TW2456C (4/2017 - Present)	9159674	9159660	9159635	OBD
	TW24510	9035540	OBD	OBD	OBD
TW2462	9035346	9036593	9035219	9035007	
26	TW26210	9035541	OBD	OBD	OBD
	TW2632	9035542	9036443	9035073	9035035
	TW2636	9035543	OBD	OBD	OBD
	TW26310 (5/2010 - 8/2017)	9035544	9036444	9035074	9035036
	TW26310 (9/2017 - Present)	9168994	9169083	9168937	9168933
	TW2642	9035545	9036445	9035075	9035037
	TW2646 (5/2010 - 3/2017)	9035546	9036446	9035076	9035038
	TW2646 (4/2017 - Present)	9159683	9159644	9159619	9159615
	TW26410	9035547	9036447	9035077	9035039
	TW2652	9035548	OBD	OBD	OBD
	TW2656E	9036378	OBD	OBD	OBD
	TW2656C (5/2010 - 3/2017)	9035549	OBD	OBD	OBD
	TW2656C (4/2017 - Present)	9159684	OBD	OBD	OBD
	TW26510	9035550	OBD	OBD	OBD
TW2662	9035551	OBD	OBD	OBD	

## Sash

### Sash - Lower / High-Performance / Natural Wood Interior / 2.2 / No Grommets

### Sash - Lower / High-Performance Low-E4® / Natural Wood Interior / 2.2 / No Grommets (5/2010 - Present)

**Note:**

Use as replacement sash for HP glazing. Sash being **replaced** prior to April of 2012 **will not** have 2.2 etching in glass. Sash being **replaced** after April 2012 **will** have 2.2 etching in glass.



Unit No.	White	Terratone®	Sandtone	Forest Green	
28	TW28210	9035347	9036594	9035220	9035008
	TW2832	9035348	9036595	9035221	9035009
	TW2836	9035552	9036448	9035078	9035040
	TW28310 (5/2010 - 8/2017)	9035349	9036596	9035222	9035010
	TW28310 (9/2017 - Present)	9168974	9169105	9168956	9168930
	TW2842	9035350	9036597	9035223	9035011
	TW2846 (5/2010 - 3/2017)	9035351	9036598	9035224	9035012
	TW2846 (4/2017 - Present)	9159675	9159661	9159636	9159609
	TW28410	9035553	9036449	9035079	9035041
	TW2852	9035352	9036599	9035225	9035013
	TW2856E	9036360	9036679	9035114	OBD
	TW2856C (5/2010 - 3/2017)	9035353	9036600	9035226	9035014
	TW2856C (4/2017 - Present)	9159676	9159662	9159637	9159610
	TW28510	9035554	OBD	OBD	OBD
210	TW2862	9035354	9036601	9035227	OBD
	TW210210	9035555	9036450	9035080	9035042
	TW21032	9035556	9036451	9035081	9035043
	TW21036	9035557	9036452	9035082	9035044
	TW210310 (5/2010 - 8/2017)	9035558	9036453	9035083	9035045
	TW210310 (9/2017 - Present)	9168995	9169084	9168938	9168934
	TW21042	9035559	9036454	9035084	9035046
	TW21046 (5/2010 - 3/2017)	9035560	9036455	9035085	9035047
	TW21046 (4/2017 - Present)	9159685	9159645	9159620	9159616
	TW210410	9035561	OBD	OBD	OBD
	TW21052	9035562	9036456	9035086	9035048
	TW21056E	9036379	OBD	OBD	OBD
	TW21056C (5/2010 - 3/2017)	9035563	OBD	OBD	OBD
	TW21056C (4/2017 - Present)	9159686	OBD	OBD	OBD
TW210510	9035564	OBD	OBD	OBD	
TW21062	9035565	OBD	OBD	OBD	



# 400 Series Tilt-Wash (TW) Windows (1992 to Present)

Standard Windows

## Sash

### Sash - Lower / High-Performance / Natural Wood Interior / 2.2 / No Grommets

#### Sash - Lower / High-Performance Low-E4® / Natural Wood Interior / 2.2 / No Grommets (5/2010 - Present)

**Note:**

Use as replacement sash for HP glazing. Sash being **replaced** prior to April of 2012 **will not** have 2.2 etching in glass. Sash being **replaced** after April 2012 **will** have 2.2 etching in glass.



	Unit No.	White	Terratone®	Sandtone	Forest Green
<b>30</b>	TW30210	9035355	9036602	9035228	9035015
	TW3032	9035356	9036603	9035229	9035016
	TW3036	9035566	OBD	OBD	OBD
	TW30310 (5/2010 - 8/2017)	9035357	9036604	9035230	9035017
	TW30310 (9/2017 - Present)	9168975	9169106	9168957	9168931
	TW3042	9035358	9036605	9035231	9035018
	TW3046 (5/2010 - 3/2017)	9035359	9036606	9035232	9035019
	TW3046 (4/2017 - Present)	9159677	9159663	9159638	9159611
	TW30410	9035567	9036457	9035087	9035049
	TW3052	9035360	9036607	9035233	9035020
	TW3056E	9036361	9036680	9035115	OBD
	TW3056C (5/2010 - 3/2017)	9035361	9036608	9035234	9035021
	TW3056C (4/2017 - Present)	9159678	9159664	9159639	9159612
	TW30510	9035568	OBD	OBD	OBD
<b>34</b>	TW3062	9035362	9036609	9035235	9035022
	TW34210	9035363	9036610	9035236	OBD
	TW3432	9035364	9036611	9035237	OBD
	TW3436	9035569	OBD	OBD	OBD
	TW34310 (5/2010 - 8/2017)	9035365	9036612	9035238	OBD
	TW34310 (9/2017 - Present)	9168976	9169107	9168958	OBD
	TW3442	9035366	9036613	9035239	9035023
	TW3446 (5/2010 - 3/2017)	9035367	9036614	9035240	9035024
	TW3446 (4/2017 - Present)	9159679	9159665	9159640	9159613
	TW34410	9035570	OBD	OBD	OBD
	TW3452	9035368	9036615	9035241	9035025
	TW3456E	9036362	9036681	9035116	OBD
	TW3456C (5/2010 - 3/2017)	9035369	9036616	9035242	9035026
	TW3456C (4/2017 - Present)	9159680	9159666	9159641	9159614
TW34510	9035571	OBD	OBD	OBD	
TW3462	9035370	9036617	9035243	9035027	

## Sash

### Sash - Lower / High-Performance / Natural Wood Interior / 2.2 / No Grommets

### Sash - Lower / High-Performance Low-E4® / Natural Wood Interior / 2.2 / No Grommets (5/2010 - Present)

**Note:**

Use as replacement sash for HP glazing. Sash being **replaced** prior to April of 2012 **will not** have 2.2 etching in glass. Sash being **replaced** after April 2012 **will** have 2.2 etching in glass.



Unit No.	White	Terratone®	Sandtone	Forest Green	
<b>38</b>	TW38210	9035371	9036618	9035244	9035028
	TW3832	9035372	9036619	9035245	9035029
	TW3836	9035572	OBD	OBD	OBD
	TW38310 (5/2010 - 8/2017)	9035373	9036620	9035246	9035030
	TW38310 (9/2017 - Present)	9168977	9169108	9168959	9168932
	TW3842	9035374	9036621	9035247	9035031
	TW3846 (5/2010 - 3/2017)	9035375	9036622	9035248	OBD
	TW3846 (4/2017 - Present)	9159681	9159667	9159642	OBD
	TW38410	9035573	OBD	OBD	OBD
	TW3852	9035376	9036623	9035249	9035032
	TW3856E	9036363	9036682	9035117	OBD
	TW3856C (5/2010 - 3/2017)	9035377	9036624	9035250	OBD
	TW3856C (4/2017 - Present)	9159682	9159668	9159643	OBD
	TW38510	9035574	OBD	OBD	OBD
TW3862	9035378	9036625	9035251	OBD	

# 400 Series Tilt-Wash (TW) Windows (1992 to Present)

Standard Windows

## Sash

### Sash - Lower / High-Performance / Prefinished Interior / 2.2 / No Grommets

#### Sash - Lower / High-Performance Low-E4® / PI Interior / 2.2 / No Grommets (5/2010 - Present)

**Note:**

Use as replacement sash for HP glazing. Sash being **replaced** prior to April of 2012 **will not** have 2.2 etching in glass. Sash being **replaced** after April 2012 **will** have 2.2 etching in glass.



	Unit No.	White	Terratone®	Sandtone	Forest Green
<b>18</b>	TW18210	9035379	OBD	OBD	OBD
	TW1832	9035380	OBD	OBD	OBD
	TW1836	9035435	OBD	OBD	OBD
	TW18310 <i>(5/2010 - 8/2017)</i>	9035381	OBD	OBD	OBD
	TW18310 <i>(9/2017 - Present)</i>	9168978	OBD	OBD	OBD
	TW1842	9035382	OBD	OBD	OBD
	TW1846 <i>(5/2010 - 3/2017)</i>	9035383	OBD	OBD	OBD
	TW1846 <i>(4/2017 - Present)</i>	9159723	OBD	OBD	OBD
	TW18410	9035436	OBD	OBD	OBD
	TW1852	9035384	OBD	OBD	OBD
	TW1856E	9036364	OBD	OBD	OBD
	TW1856C <i>(5/2010 - 3/2017)</i>	9035385	OBD	OBD	OBD
	TW1856C <i>(4/2017 - Present)</i>	9159724	OBD	OBD	OBD
	TW18510	9035437	OBD	OBD	OBD
TW1862	9035386	OBD	OBD	OBD	
<b>20</b>	TW20210	9035387	OBD	OBD	OBD
	TW2032	9035388	OBD	OBD	OBD
	TW2036	9035438	OBD	OBD	OBD
	TW20310 <i>(5/2010 - 8/2017)</i>	9035389	OBD	OBD	OBD
	TW20310 <i>(9/2017 - Present)</i>	9168979	OBD	OBD	OBD
	TW2042	9035390	OBD	OBD	OBD
	TW2046 <i>(5/2010 - 3/2017)</i>	9035391	OBD	OBD	OBD
	TW2046 <i>(4/2017 - Present)</i>	9159725	OBD	OBD	OBD
	TW20410	9035439	OBD	OBD	OBD
	TW2052	9035392	OBD	OBD	OBD
	TW2056E	9036365	OBD	OBD	OBD
	TW2056C <i>(5/2010 - 3/2017)</i>	9035393	OBD	OBD	OBD
	TW2056C <i>(4/2017 - Present)</i>	9159726	OBD	OBD	OBD
	TW20510	9035440	OBD	OBD	OBD
TW2062	9035394	OBD	OBD	OBD	

## Sash

### Sash - Lower / High-Performance / Prefinished Interior / 2.2 / No Grommets

#### Sash - Lower / High-Performance Low-E4® / PI Interior / 2.2 / No Grommets (5/2010 - Present)

**Note:**

Use as replacement sash for HP glazing. Sash being **replaced** prior to April of 2012 **will not** have 2.2 etching in glass. Sash being **replaced** after April 2012 **will** have 2.2 etching in glass.



Unit No.	White	Terratone®	Sandtone	Forest Green	
24	TW24210	9035395	OBD	OBD	OBD
	TW2432	9035396	OBD	OBD	OBD
	TW2436	9035441	OBD	OBD	OBD
	TW24310 (5/2010 - 8/2017)	9035397	OBD	OBD	OBD
	TW24310 (9/2017 - Present)	9168980	OBD	OBD	OBD
	TW2442	9035398	OBD	OBD	OBD
	TW2446 (5/2010 - 3/2017)	9035399	OBD	OBD	OBD
	TW2446 (4/2017 - Present)	9159727	OBD	OBD	OBD
	TW24410	9035442	OBD	OBD	OBD
	TW2452	9035400	OBD	OBD	OBD
	TW2456E	9036366	OBD	OBD	OBD
	TW2456C (5/2010 - 3/2017)	9035401	OBD	OBD	OBD
	TW2456C (4/2017 - Present)	9159728	OBD	OBD	OBD
	TW24510	9035443	OBD	OBD	OBD
TW2462	9035402	OBD	OBD	OBD	
26	TW26210	9035444	OBD	OBD	OBD
	TW2632	9035445	OBD	OBD	OBD
	TW2636	9035446	OBD	OBD	OBD
	TW26310 (5/2010 - 8/2017)	9035447	OBD	OBD	OBD
	TW26310 (9/2017 - Present)	9168985	OBD	OBD	OBD
	TW2642	9035448	OBD	OBD	OBD
	TW2646 (5/2010 - 3/2017)	9035449	OBD	OBD	OBD
	TW2646 (4/2017 - Present)	9159737	OBD	OBD	OBD
	TW26410	9035450	OBD	OBD	OBD
	TW2652	9035451	OBD	OBD	OBD
	TW2656E	9036371	OBD	OBD	OBD
	TW2656C (5/2010 - 3/2017)	OBD	OBD	OBD	OBD
	TW2656C (4/2017 - Present)	OBD	OBD	OBD	OBD
	TW26510	9035452	OBD	OBD	OBD
TW2662	9035453	OBD	OBD	OBD	

# 400 Series Tilt-Wash (TW) Windows (1992 to Present)

Standard Windows

## Sash

### Sash - Lower / High-Performance / Prefinished Interior / 2.2 / No Grommets

#### Sash - Lower / High-Performance Low-E4® / PI Interior / 2.2 / No Grommets (5/2010 - Present)

**Note:**

Use as replacement sash for HP glazing. Sash being **replaced** prior to April of 2012 **will not** have 2.2 etching in glass. Sash being **replaced** after April 2012 **will** have 2.2 etching in glass.



	Unit No.	White	Terratone®	Sandtone	Forest Green
<b>28</b>	TW28210	9035403	OBD	OBD	OBD
	TW2832	9035404	OBD	OBD	OBD
	TW2836	9035454	OBD	OBD	OBD
	TW28310 (5/2010 - 8/2017)	9035405	OBD	OBD	OBD
	TW28310 (9/2017 - Present)	9168981	OBD	OBD	OBD
	TW2842	9035406	OBD	OBD	OBD
	TW2846 (5/2010 - 3/2017)	9035407	OBD	OBD	OBD
	TW2846 (4/2017 - Present)	9159729	OBD	OBD	OBD
	TW28410	9035455	OBD	OBD	OBD
	TW2852	9035408	OBD	OBD	OBD
	TW2856E	9036367	OBD	OBD	OBD
	TW2856C (5/2010 - 3/2017)	9035409	OBD	OBD	OBD
	TW2856C (4/2017 - Present)	9159730	OBD	OBD	OBD
	TW28510	9035456	OBD	OBD	OBD
TW2862	9035410	OBD	OBD	OBD	
<b>210</b>	TW210210	9035457	OBD	OBD	OBD
	TW21032	9035458	OBD	OBD	OBD
	TW21036	9035459	OBD	OBD	OBD
	TW210310 (5/2010 - 8/2017)	9035460	OBD	OBD	OBD
	TW210310 (9/2017 - Present)	9168986	OBD	OBD	OBD
	TW21042	9035461	OBD	OBD	OBD
	TW21046 (5/2010 - 3/2017)	9035462	OBD	OBD	OBD
	TW21046 (4/2017 - Present)	9159738	OBD	OBD	OBD
	TW210410	9035463	OBD	OBD	OBD
	TW21052	9035464	OBD	OBD	OBD
	TW21056E	9036372	OBD	OBD	OBD
	TW21056C (5/2010 - 3/2017)	9035465	OBD	OBD	OBD
	TW21056C (4/2017 - Present)	9159739	OBD	OBD	OBD
	TW210510	9035466	OBD	OBD	OBD
TW21062	9035467	OBD	OBD	OBD	

## Sash

### Sash - Lower / High-Performance / Prefinished Interior / 2.2 / No Grommets

#### Sash - Lower / High-Performance Low-E4® / PI Interior / 2.2 / No Grommets (5/2010 - Present)

**Note:**

Use as replacement sash for HP glazing. Sash being **replaced** prior to April of 2012 **will not** have 2.2 etching in glass. Sash being **replaced** after April 2012 **will** have 2.2 etching in glass.



Unit No.	White	Terratone®	Sandtone	Forest Green
30	TW30210	9035411	OBD	OBD
	TW3032	9035412	OBD	OBD
	TW3036	9035468	OBD	OBD
	TW30310 (5/2010 - 8/2017)	9035413	OBD	OBD
	TW30310 (9/2017 - Present)	9168982	OBD	OBD
	TW3042	9035414	OBD	OBD
	TW3046 (5/2010 - 3/2017)	9035415	OBD	OBD
	TW3046 (4/2017 - Present)	9159731	OBD	OBD
	TW30410	9035469	OBD	OBD
	TW3052	9035416	OBD	OBD
	TW3056E	9036368	OBD	OBD
	TW3056C (5/2010 - 3/2017)	9035417	OBD	OBD
	TW3056C (4/2017 - Present)	9159732	OBD	OBD
TW30510	9035470	OBD	OBD	
TW3062	9035418	OBD	OBD	
34	TW34210	9035419	OBD	OBD
	TW3432	9035420	OBD	OBD
	TW3436	9035471	OBD	OBD
	TW34310 (5/2010 - 8/2017)	9035421	OBD	OBD
	TW34310 (9/2017 - Present)	9168983	OBD	OBD
	TW3442	9035422	OBD	OBD
	TW3446 (5/2010 - 3/2017)	9035423	OBD	OBD
	TW3446 (4/2017 - Present)	9159733	OBD	OBD
	TW34410	9035472	OBD	OBD
	TW3452	9035424	OBD	OBD
	TW3456E	9036369	OBD	OBD
	TW3456C (5/2010 - 3/2017)	9035425	OBD	OBD
	TW3456C (4/2017 - Present)	9159734	OBD	OBD
TW34510	9035473	OBD	OBD	
TW3462	9035426	OBD	OBD	

# 400 Series Tilt-Wash (TW) Windows (1992 to Present)

Standard Windows

## Sash

### Sash - Lower / High-Performance / Prefinished Interior / 2.2 / No Grommets

#### Sash - Lower / High-Performance Low-E4® / PI Interior / 2.2 / No Grommets (5/2010 - Present)

**Note:**

Use as replacement sash for HP glazing. Sash being **replaced** prior to April of 2012 **will not** have 2.2 etching in glass. Sash being **replaced** after April 2012 **will** have 2.2 etching in glass.



	Unit No.	White	Terratone®	Sandtone	Forest Green
<b>38</b>	TW38210	9035427	OBD	OBD	OBD
	TW3832	9035428	OBD	OBD	OBD
	TW3836	9035474	OBD	OBD	OBD
	TW38310 <i>(5/2010 - 8/2017)</i>	9035429	OBD	OBD	OBD
	TW38310 <i>(9/2017 - Present)</i>	9168984	OBD	OBD	OBD
	TW3842	9035430	OBD	OBD	OBD
	TW3846 <i>(5/2010 - 3/2017)</i>	9035431	OBD	OBD	OBD
	TW3846 <i>(4/2017 - Present)</i>	9159735	OBD	OBD	OBD
	TW38410	9035475	OBD	OBD	OBD
	TW3852	9035432	OBD	OBD	OBD
	TW3856E	9036370	OBD	OBD	OBD
	TW3856C <i>(5/2010 - 3/2017)</i>	9035433	OBD	OBD	OBD
	TW3856C <i>(4/2017 - Present)</i>	9159736	OBD	OBD	OBD
	TW38510	9035476	OBD	OBD	OBD
TW3862	9035434	OBD	OBD	OBD	

## Sash

### Sash - Lower / High-Performance Sun / Natural Wood Interior / 2.2 / No Grommets

#### Sash - Lower / HP Low-E4® Sun / Natural Wood Interior / 2.2 / No Grommets (5/2010 - Present)

**Note:**

Use as replacement sash for HP Sun glazing. Sash being **replaced** prior to April of 2012 **will not** have 2.2 etching in glass. Sash being **replaced** after April 2012 **will** have 2.2 etching in glass.



Unit No.	White	Terratone®	Sandtone	Forest Green	
18	TW18210	9035575	OBD	OBD	
	TW1832	OBD	OBD	OBD	
	TW1836	OBD	OBD	OBD	
	TW18310 (5/2010 - 8/2017)	9035576	9036646	OBD	OBD
	TW18310 (9/2017 - Present)	9168996	9169112	OBD	OBD
	TW1842	9035577	OBD	OBD	OBD
	TW1846 (5/2010 - 3/2017)	9035578	OBD	OBD	OBD
	TW1846 (4/2017 - Present)	9159844	OBD	OBD	OBD
	TW18410	OBD	OBD	OBD	OBD
	TW1852	OBD	OBD	OBD	OBD
	TW1856E	OBD	OBD	OBDD	OBD
	TW1856C (5/2010 - 3/2017)	OBD	OBD	OBD	OBD
	TW1856C (4/2017 - Present)	OBD	OBD	OBD	OBD
	TW18510	OBD	OBD	OBD	OBD
TW1862	OBD	OBD	OBD	OBD	
20	TW20210	OBD	OBD	OBD	
	TW2032	9035579	OBD	9035252	OBD
	TW2036	OBD	OBD	OBD	OBD
	TW20310 (5/2010 - 8/2017)	9035580	OBD	9035253	OBD
	TW20310 (9/2017 - Present)	9168997	9168960	OBD	OBD
	TW2042	9035581	9036647	9035254	OBD
	TW2046 (5/2010 - 3/2017)	9035582	9036648	9035255	OBD
	TW2046 (4/2017 - Present)	9159845	9159836	9159819	OBD
	TW20410	OBD	OBD	OBD	OBD
	TW2052	9035583	9036649	OBD	OBD
	TW2056E	OBD	OBD	OBD	OBD
	TW2056C (5/2010 - 3/2017)	9035584	OBD	OBD	OBD
	TW2056C (5/2010 - 3/2017)	9159846	OBD	OBD	OBD
	TW20510	OBD	OBD	OBD	OBD
TW2062	OBD	OBD	9035256	OBD	



# 400 Series Tilt-Wash (TW) Windows (1992 to Present)

Standard Windows

## Sash

### Sash - Lower / High-Performance Sun / Natural Wood Interior / 2.2 / No Grommets

#### Sash - Lower / HP Low-E4® Sun / Natural Wood Interior / 2.2 / No Grommets (5/2010 - Present)

**Note:**

Use as replacement sash for HP Sun glazing. Sash being **replaced** prior to April of 2012 **will not** have 2.2 etching in glass. Sash being **replaced** after April 2012 **will** have 2.2 etching in glass.



	Unit No.	White	Terratone®	Sandtone	Forest Green
<b>24</b>	TW24210	9035585	OBD	9035257	OBD
	TW2432	OBD	OBD	OBD	OBD
	TW2436	OBD	OBD	OBD	OBD
	TW24310 (5/2010 - 8/2017)	9035586	9036650	9035258	OBD
	TW24310 (9/2017 - Present)	9168998	9169113	9168961	OBD
	TW2442	9035587	9036651	OBD	OBD
	TW2446 (5/2010 - 3/2017)	9035588	9036652	9035259	OBD
	TW2446 (4/2017 - Present)	9159847	9159837	9159820	OBD
	TW24410	OBD	OBD	OBD	OBD
	TW2452	9035589	9036653	OBD	OBD
	TW2456E	OBD	OBD	9035118	OBD
	TW2456C (5/2010 - 3/2017)	9035590	OBD	OBD	OBD
	TW2456C (4/2017 - Present)	9159848	OBD	OBD	OBD
	TW24510	OBD	OBD	OBD	OBD
TW2462	9035591	9036654	OBD	OBD	
<b>26</b>	TW26210	OBD	OBD	OBD	OBD
	TW2632	OBD	OBD	OBD	OBD
	TW2636	OBD	OBD	OBD	OBD
	TW26310 (5/2010 - 8/2017)	OBD	OBD	OBD	OBD
	TW26310 (9/2017 - Present)	OBD	OBD	OBD	OBD
	TW2642	OBD	OBD	OBD	OBD
	TW2646 (5/2010 - 3/2017)	OBD	OBD	OBD	OBD
	TW2646 (4/2017 - Present)	OBD	OBD	OBD	OBD
	TW26410	OBD	OBD	OBD	OBD
	TW2652	OBD	OBD	OBD	OBD
	TW2656E	OBD	OBD	OBD	OBD
	TW2656C (5/2010 - 3/2017)	OBD	OBD	OBD	OBD
	TW2656C (4/2017 - Present)	OBD	OBD	OBD	OBD
	TW26510	OBD	OBD	OBD	OBD
TW2662	OBD	OBD	OBD	OBD	

## Sash

### Sash - Lower / High-Performance Sun / Natural Wood Interior / 2.2 / No Grommets

#### Sash - Lower / HP Low-E4® Sun / Natural Wood Interior / 2.2 / No Grommets (5/2010 - Present)

**Note:**

Use as replacement sash for HP Sun glazing. Sash being **replaced** prior to April of 2012 **will not** have 2.2 etching in glass. Sash being **replaced** after April 2012 **will** have 2.2 etching in glass.



Unit No.	White	Terratone®	Sandtone	Forest Green	
28	TW28210	9035592	9036655	OBD	OBD
	TW2832	9035593	OBD	OBD	OBD
	TW2836	OBD	OBD	OBD	OBD
	TW28310 (5/2010 - 8/2017)	9035594	9036656	OBD	OBD
	TW28310 (9/2017 - Present)	9168999	9169114	OBD	OBD
	TW2842	9035595	OBD	9035260	OBD
	TW2846 (5/2010 - 3/2017)	9035596	9036657	9035261	OBD
	TW2846 (4/2017 - Present)	9159849	9159838	9159821	OBD
	TW28410	OBD	OBD	OBD	OBD
	TW2852	9035597	OBD	9035262	OBD
	TW2856E	9036381	OBD	9035119	OBD
	TW2856C (5/2010 - 3/2017)	9035598	9036658	9035263	OBD
	TW2856C (4/2017 - Present)	9159850	9159839	9159822	OBD
	TW28510	OBD	OBD	OBD	OBD
TW2862	9035599	OBD	9035264	OBD	
210	TW210210	OBD	OBD	OBD	OBD
	TW21032	OBD	OBD	OBD	OBD
	TW21036	OBD	OBD	OBD	OBD
	TW210310 (5/2010 - 8/2017)	OBD	OBD	OBD	OBD
	TW210310 (9/2017 - Present)	OBD	OBD	OBD	OBD
	TW21042	OBD	OBD	OBD	OBD
	TW21046 (5/2010 - 3/2017)	OBD	OBD	OBD	OBD
	TW21046 (4/2017 - Present)	OBD	OBD	OBD	OBD
	TW210410	OBD	OBD	OBD	OBD
	TW21052	OBD	OBD	OBD	OBD
	TW21056E	OBD	OBD	OBD	OBD
	TW21056C (5/2010 - 3/2017)	OBD	OBD	OBD	OBD
	TW21056C (4/2017 - Present)	OBD	OBD	OBD	OBD
	TW210510	OBD	OBD	OBD	OBD
TW21062	OBD	OBD	OBD	OBD	

# 400 Series Tilt-Wash (TW) Windows (1992 to Present)

Standard Windows

## Sash

### Sash - Lower / High-Performance Sun / Natural Wood Interior / 2.2 / No Grommets

#### Sash - Lower / HP Low-E4® Sun / Natural Wood Interior / 2.2 / No Grommets (5/2010 - Present)

**Note:**

Use as replacement sash for HP Sun glazing. Sash being **replaced** prior to April of 2012 **will not** have 2.2 etching in glass. Sash being **replaced** after April 2012 **will** have 2.2 etching in glass.



	Unit No.	White	Terratone®	Sandtone	Forest Green
<b>30</b>	TW30210	9035600	OBD	OBD	OBD
	TW3032	9035601	9036659	OBD	OBD
	TW3036	OBD	OBD	OBD	OBD
	TW30310 (5/2010 - 8/2017)	9035602	9036660	OBD	OBD
	TW30310 (9/2017 - Present)	9169000	9169115	OBD	OBD
	TW3042	9035603	9036661	9035265	OBD
	TW3046 (5/2010 - 3/2017)	9035604	9036662	9035266	OBD
	TW3046 (4/2017 - Present)	9159851	9159840	9159823	OBD
	TW30410	OBD	OBD	OBD	OBD
	TW3052	9035605	OBD	9035267	OBD
	TW3056E	9036382	OBD	OBD	OBD
	TW3056C (5/2010 - 3/2017)	9035606	9036663	9035268	OBD
	TW3056C (4/2017 - Present)	9159852	9159841	9159824	OBD
	TW30510	OBD	OBD	OBD	OBD
TW3062	9035607	9036664	9035269	OBD	
<b>34</b>	TW34210	OBD	OBD	OBD	OBD
	TW3432	9035608	OBD	OBD	OBD
	TW3436	OBD	OBD	OBD	OBD
	TW34310 (5/2010 - 8/2017)	OBD	OBD	OBD	OBD
	TW34310 (9/2017 - Present)	OBD	OBD	OBD	OBD
	TW3442	OBD	OBD	OBD	OBD
	TW3446 (5/2010 - 3/2017)	9035609	9036665	9035270	OBD
	TW3446 (4/2017 - Present)	9159697	9159842	9159825	OBD
	TW34410	OBD	OBD	OBD	OBD
	TW3452	9035610	OBD	9035271	OBD
	TW3456E	OBD	OBD	OBD	OBD
	TW3456C (5/2010 - 3/2017)	9035611	OBD	OBD	OBD
	TW3456C (4/2017 - Present)	9159854	OBD	OBD	OBD
	TW34510	OBD	OBD	OBD	OBD
	TW3462	9035612	OBD	OBD	OBD

## Sash

### Sash - Lower / High-Performance Sun / Natural Wood Interior / 2.2 / No Grommets

#### Sash - Lower / HP Low-E4® Sun / Natural Wood Interior / 2.2 / No Grommets (5/2010 - Present)

**Note:**

Use as replacement sash for HP Sun glazing. Sash being **replaced** prior to April of 2012 **will not** have 2.2 etching in glass. Sash being **replaced** after April 2012 **will** have 2.2 etching in glass.



Unit No.	White	Terratone®	Sandtone	Forest Green	
<b>38</b>	TW38210	OBD	OBD	9035272	OBD
	TW3832	OBD	9036666	9035273	OBD
	TW3836	OBD	OBD	OBD	OBD
	TW38310 (5/2010 - 8/2017)	9035613	9036667	OBD	OBD
	TW38310 (9/2017 - Present)	9169001	9169116	OBD	OBD
	TW3842	OBD	OBD	OBD	OBD
	TW3846 (5/2010 - 3/2017)	9035614	9036668	9035274	OBD
	TW3846 (4/2017 - Present)	9159855	9159843	9159826	OBD
	TW38410	OBD	OBD	OBD	OBD
	TW3852	9035615	OBD	OBD	OBD
	TW3856E	OBD	OBD	OBD	OBD
	TW3856C (5/2010 - 3/2017)	9035616	OBD	OBD	OBD
	TW3856C (4/2017 - Present)	9159856	OBD	OBD	OBD
	TW38510	OBD	OBD	OBD	OBD
TW3862	9035617	OBD	OBD	OBD	

# 400 Series Tilt-Wash (TW) Windows (1992 to Present)

Standard Windows

## Sash

### Sash - Lower / High-Performance Sun / Prefinished Interior / 2.2 / No Grommets

#### Sash - Lower / HP Low-E4® Sun / Prefinished Interior / 2.2 / No Grommets (5/2010 - Present)

**Note:**

Use as replacement sash for HP Sun glazing. Sash being **replaced** prior to April of 2012 **will not** have 2.2 etching in glass. Sash being **replaced** after April 2012 **will** have 2.2 etching in glass.



	Unit No.	White	Terratone®	Sandtone	Forest Green
<b>18</b>	TW18210	OBD	OBD	OBD	OBD
	TW1832	OBD	OBD	OBD	OBD
	TW1836	OBD	OBD	OBD	OBD
	TW18310 (5/2010 - 8/2017)	9035618	OBD	OBD	OBD
	TW18310 (9/2017 - Present)	9169002	OBD	OBD	OBD
	TW1842	9035619	OBD	OBD	OBD
	TW1846 (5/2010 - 3/2017)	9035620	OBD	OBD	OBD
	TW1846 (4/2017 - Present)	9159863	OBD	OBD	OBD
	TW18410	OBD	OBD	OBD	OBD
	TW1852	OBD	OBD	OBD	OBD
	TW1856E	OBD	OBD	OBD	OBD
	TW1856C (5/2010 - 3/2017)	OBD	OBD	OBD	OBD
	TW1856C (4/2017 - Present)	OBD	OBD	OBD	OBD
	TW18510	OBD	OBD	OBD	OBD
TW1862	OBD	OBD	OBD	OBD	
<b>20</b>	TW20210	9035621	OBD	OBD	OBD
	TW2032	9035622	OBD	OBD	OBD
	TW2036	OBD	OBD	OBD	OBD
	TW20310 (5/2010 - 8/2017)	9035623	OBD	OBD	OBD
	TW20310 (9/2017 - Present)	9169003	OBD	OBD	OBD
	TW2042	OBD	OBD	OBD	OBD
	TW2046 (5/2010 - 3/2017)	9035624	OBD	OBD	OBD
	TW2046 (4/2017 - Present)	9159864	OBD	OBD	OBD
	TW20410	OBD	OBD	OBD	OBD
	TW2052	9035625	OBD	OBD	OBD
	TW2056E	OBD	OBD	OBD	OBD
	TW2056C (5/2010 - 3/2017)	OBD	OBD	OBD	OBD
	TW2056C (5/2010 - 3/2017)	OBD	OBD	OBD	OBD
	TW20510	OBD	OBD	OBD	OBD
TW2062	9035626	OBD	OBD	OBD	

## Sash

### Sash - Lower / High-Performance Sun / Prefinished Interior / 2.2 / No Grommets

#### Sash - Lower / HP Low-E4® Sun / Prefinished Interior / 2.2 / No Grommets (5/2010 - Present)

**Note:**

Use as replacement sash for HP Sun glazing. Sash being **replaced** prior to April of 2012 **will not** have 2.2 etching in glass. Sash being **replaced** after April 2012 **will** have 2.2 etching in glass.



Unit No.	White	Terratone®	Sandtone	Forest Green
24	TW24210	OBD	OBD	OBD
	TW2432	9035627	OBD	OBD
	TW2436	OBD	OBD	OBD
	TW24310 (5/2010 - 8/2017)	9035628	OBD	OBD
	TW24310 (9/2017 - Present)	9169004	OBD	OBD
	TW2442	9035629	OBD	OBD
	TW2446 (5/2010 - 3/2017)	9035630	OBD	OBD
	TW2446 (4/2017 - Present)	9159865	OBD	OBD
	TW24410	OBD	OBD	OBD
	TW2452	9035631	OBD	OBD
	TW2456E	OBD	OBD	OBD
	TW2456C (5/2010 - 3/2017)	OBD	OBD	OBD
	TW2456C (4/2017 - Present)	OBD	OBD	OBD
	TW24510	OBD	OBD	OBD
TW2462	9035632	OBD	OBD	
26	TW26210	OBD	OBD	OBD
	TW2632	OBD	OBD	OBD
	TW2636	OBD	OBD	OBD
	TW26310 (5/2010 - 8/2017)	OBD	OBD	OBD
	TW26310 (9/2017 - Present)	OBD	OBD	OBD
	TW2642	OBD	OBD	OBD
	TW2646 (5/2010 - 3/2017)	OBD	OBD	OBD
	TW2646 (4/2017 - Present)	OBD	OBD	OBD
	TW26410	OBD	OBD	OBD
	TW2652	OBD	OBD	OBD
	TW2656E	OBD	OBD	OBD
	TW2656C (5/2010 - 3/2017)	OBD	OBD	OBD
	TW2656C (4/2017 - Present)	OBD	OBD	OBD
	TW26510	OBD	OBD	OBD
TW2662	OBD	OBD	OBD	

# 400 Series Tilt-Wash (TW) Windows (1992 to Present)

Standard Windows

## Sash

### Sash - Lower / High-Performance Sun / Prefinished Interior / 2.2 / No Grommets

#### Sash - Lower / HP Low-E4® Sun / Prefinished Interior / 2.2 / No Grommets (5/2010 - Present)

**Note:**

Use as replacement sash for HP Sun glazing. Sash being **replaced** prior to April of 2012 **will not** have 2.2 etching in glass. Sash being **replaced** after April 2012 **will** have 2.2 etching in glass.



	Unit No.	White	Terratone®	Sandtone	Forest Green
<b>28</b>	TW28210	9035633	OBD	OBD	OBD
	TW2832	9035634	OBD	OBD	OBD
	TW2836	OBD	OBD	OBD	OBD
	TW28310 (5/2010 - 8/2017)	9035635	OBD	OBD	OBD
	TW28310 (9/2017 - Present)	9169005	OBD	OBD	OBD
	TW2842	9035636	OBD	OBD	OBD
	TW2846 (5/2010 - 3/2017)	9035637	OBD	OBD	OBD
	TW2846 (4/2017 - Present)	9159866	OBD	OBD	OBD
	TW28410	OBD	OBD	OBD	OBD
	TW2852	9035638	OBD	OBD	OBD
	TW2856E	9036383	OBD	OBD	OBD
	TW2856C (5/2010 - 3/2017)	9035639	OBD	OBD	OBD
	TW2856C (4/2017 - Present)	9159867	OBD	OBD	OBD
	TW28510	OBD	OBD	OBD	OBD
TW2862	9035640	OBD	OBD	OBD	
<b>210</b>	TW210210	OBD	OBD	OBD	OBD
	TW21032	OBD	OBD	OBD	OBD
	TW21036	OBD	OBD	OBD	OBD
	TW210310 (5/2010 - 8/2017)	OBD	OBD	OBD	OBD
	TW210310 (9/2017 - Present)	OBD	OBD	OBD	OBD
	TW21042	OBD	OBD	OBD	OBD
	TW21046 (5/2010 - 3/2017)	OBD	OBD	OBD	OBD
	TW21046 (4/2017 - Present)	OBD	OBD	OBD	OBD
	TW210410	OBD	OBD	OBD	OBD
	TW21052	OBD	OBD	OBD	OBD
	TW21056E	OBD	OBD	OBD	OBD
	TW21056C (5/2010 - 3/2017)	OBD	OBD	OBD	OBD
	TW21056C (4/2017 - Present)	OBD	OBD	OBD	OBD
	TW210510	OBD	OBD	OBD	OBD
TW21062	OBD	OBD	OBD	OBD	

## Sash

### Sash - Lower / High-Performance Sun / Prefinished Interior / 2.2 / No Grommets

#### Sash - Lower / HP Low-E4® Sun / Prefinished Interior / 2.2 / No Grommets (5/2010 - Present)

**Note:**

Use as replacement sash for HP Sun glazing. Sash being **replaced** prior to April of 2012 **will not** have 2.2 etching in glass. Sash being **replaced** after April 2012 **will** have 2.2 etching in glass.



Unit No.	White	Terratone®	Sandtone	Forest Green
30	TW30210	9035641	OBD	OBD
	TW3032	9035642	OBD	OBD
	TW3036	OBD	OBD	OBD
	TW30310 (5/2010 - 8/2017)	9035643	OBD	OBD
	TW30310 (9/2017 - Present)	9169006	OBD	OBD
	TW3042	9035644	OBD	OBD
	TW3046 (5/2010 - 3/2017)	9035645	OBD	OBD
	TW3046 (4/2017 - Present)	9159868	OBD	OBD
	TW30410	OBD	OBD	OBD
	TW3052	9035646	OBD	OBD
	TW3056E	OBD	OBD	OBD
	TW3056C (5/2010 - 3/2017)	9035647	OBD	OBD
	TW3056C (4/2017 - Present)	9159869	OBD	OBD
	TW30510	OBD	OBD	OBD
TW3062	9035648	OBD	OBD	
34	TW34210	OBD	OBD	OBD
	TW3432	9035649	OBD	OBD
	TW3436	OBD	OBD	OBD
	TW34310 (5/2010 - 8/2017)	9035650	OBD	OBD
	TW34310 (9/2017 - Present)	9169007	OBD	OBD
	TW3442	OBD	OBD	OBD
	TW3446 (5/2010 - 3/2017)	OBD	OBD	OBD
	TW3446 (4/2017 - Present)	9159853	OBD	OBD
	TW34410	OBD	OBD	OBD
	TW3452	9035651	OBD	OBD
	TW3456E	OBD	OBD	OBD
	TW3456C (5/2010 - 3/2017)	OBD	OBD	OBD
	TW3456C (4/2017 - Present)	OBD	OBD	OBD
	TW34510	OBD	OBD	OBD
TW3462	OBD	OBD	OBD	



# 400 Series Tilt-Wash (TW) Windows (1992 to Present)

Standard Windows

## Sash

### Sash - Lower / High-Performance Sun / Prefinished Interior / 2.2 / No Grommets

### Sash - Lower / HP Low-E4® Sun / Prefinished Interior / 2.2 / No Grommets (5/2010 - Present)

**Note:**

Use as replacement sash for HP Sun glazing. Sash being **replaced** prior to April of 2012 **will not** have 2.2 etching in glass. Sash being **replaced** after April 2012 **will** have 2.2 etching in glass.



Unit No.	White	Terratone®	Sandtone	Forest Green
<b>38</b>	TW38210	OBD	OBD	OBD
	TW3832	OBD	OBD	OBD
	TW3836	OBD	OBD	OBD
	TW38310 (5/2010 - 8/2017)	OBD	OBD	OBD
	TW38310 (9/2017 - Present)	OBD	OBD	OBD
	TW3842	9035653	OBD	OBD
	TW3846 (5/2010 - 3/2017)	9035652	OBD	OBD
	TW3846 (4/2017 - Present)	9159870	OBD	OBD
	TW38410	OBD	OBD	OBD
	TW3852	OBD	OBD	OBD
	TW3856E	9036384	OBD	OBD
	TW3856C (5/2010 - 3/2017)	OBD	OBD	OBD
	TW3856C (4/2017 - Present)	OBD	OBD	OBD
	TW38510	OBD	OBD	OBD
	TW3862	OBD	OBD	OBD

## Sash

### Sash - Lower / HP Smart Sun / Natural Wood Interior / 2.2 / No Grommets

#### Sash - Lower / HP Low-E4® Smart Sun / Natural Wood Interior / 2.2 / No Grommets

**Note:**

Use as replacement sash for HP Smart Sun glazing. Sash being replaced prior to April of 2012 will **not** have 2.2 etching in glass. Sash being replaced after April 2012 will have 2.2 etching in glass. The 310E, 46E, 56C and 56 RC [sash sizes](#) decreased by 1/2" in 2017.



**Note:**

Available OBD. Specify White, Terratone®, Sandtone or Forest Green.

### Sash - Lower / HP Passive Sun / Natural Wood Interior / 2.2 / No Grommets

#### Sash - Lower / HP Low-E4® Passive Sun / Natural Wood Interior / 2.2 / No Grommets

**Note:**

Use as replacement sash for HP Passive Sun glazing. Sash being replaced prior to April of 2012 will **not** have 2.2 etching in glass. Sash being replaced after April 2012 will have 2.2 etching in glass. The 310E, 46E, 56C and 56 RC [sash sizes](#) decreased by 1/2" in 2017.



**Note:**

Available OBD. Specify White, Terratone®, Sandtone or Forest Green.

### Sash - Lower / HP Old Sun / Natural Wood Interior / 2.2 / No Grommets

#### Sash - Lower / HP Old Sun / Natural Wood Interior / 2.2 / No Grommets

**Note:**

Use as replacement sash for HP Sun glazing. Sash being replaced prior to April of 2012 will **not** have 2.2 etching in glass. Sash being replaced after April 2012 will have 2.2 etching in glass. The 310E, 46E, 56C and 56 RC [sash sizes](#) decreased by 1/2" in 2017.



**Note:**

Available OBD. Specify White, Terratone®, Sandtone or Forest Green.

# 400 Series Tilt-Wash (TW) Windows (1992 to Present)

Standard Windows

## Sash

### Sash - Lower / HP Finelight / Natural Wood Interior / 2.2 / No Grommets

#### Sash - Lower / HP Low-E4® Finelight / Natural Wood Interior / 2.2 / No Grommets (5/2010 - Present)

**Note:**

Use as replacement sash for HP Finelight glazing. Sash being **replaced** prior to April of 2012 **will not** have 2.2 etching in glass. Sash being **replaced** after April 2012 **will** have 2.2 etching in glass.



	Unit No.	White	Terratone®	Sandtone	Forest Green
<b>18</b>	TW18210	9035745	OBD	OBD	OBD
	TW1832	9035746	OBD	OBD	OBD
	TW1836	9035799	OBD	OBD	OBD
	TW18310 (5/2010 - 8/2017)	9035747	OBD	OBD	OBD
	TW18310 (9/2017 - Present)	9169021	OBD	OBD	OBD
	TW1842	9035748	OBD	OBD	OBD
	TW1846 (5/2010 - 3/2017)	9035749	OBD	OBD	OBD
	TW1846 (4/2017 - Present)	9159687	OBD	OBD	OBD
	TW18410	9035800	OBD	OBD	OBD
	TW1852	9035750	OBD	OBD	OBD
	TW1856E	9036396	OBD	OBD	OBD
	TW1856C (5/2010 - 3/2017)	9035751	OBD	OBD	OBD
	TW1856C (4/2017 - Present)	9159688	OBD	OBD	OBD
	TW18510	9035801	OBD	OBD	OBD
TW1862	9035752	OBD	OBD	OBD	
<b>20</b>	TW20210	9035753	OBD	OBD	OBD
	TW2032	9035754	OBD	OBD	OBD
	TW2036	9035802	OBD	OBD	OBD
	TW20310 (5/2010 - 8/2017)	9035755	OBD	OBD	OBD
	TW20310 (9/2017 - Present)	9169022	OBD	OBD	OBD
	TW2042	9035756	OBD	OBD	OBD
	TW2046 (5/2010 - 3/2017)	9035757	OBD	OBD	OBD
	TW2046 (4/2017 - Present)	9159689	OBD	OBD	OBD
	TW20410	9035803	OBD	OBD	OBD
	TW2052	9035758	OBD	OBD	OBD
	TW2056E	9036397	OBD	OBD	OBD
	TW2056C (5/2010 - 3/2017)	9035759	OBD	OBD	OBD
	TW2056C (4/2017 - Present)	9159690	OBD	OBD	OBD
	TW20510	OBD	OBD	OBD	OBD
TW2062	9035760	OBD	OBD	OBD	

## Sash

### Sash - Lower / HP Finelight / Natural Wood Interior / 2.2 / No Grommets

#### Sash - Lower / HP Low-E4® Finelight / Natural Wood Interior / 2.2 / No Grommets (5/2010 - Present)

**Note:**

Use as replacement sash for HP Finelight glazing. Sash being **replaced** prior to April of 2012 **will not** have 2.2 etching in glass. Sash being **replaced** after April 2012 **will** have 2.2 etching in glass.



Unit No.	White	Terratone®	Sandtone	Forest Green
24	TW24210	9035761	OBD	OBD
	TW2432	9035762	OBD	OBD
	TW2436	9035815	OBD	OBD
	TW24310 (5/2010 - 8/2017)	9035763	OBD	OBD
	TW24310 (9/2017 - Present)	9169023	OBD	OBD
	TW2442	9035764	OBD	OBD
	TW2446 (5/2010 - 3/2017)	9035765	OBD	OBD
	TW2446 (4/2017 - Present)	9159691	OBD	OBD
	TW24410	9035816	OBD	OBD
	TW2452	9035766	OBD	OBD
	TW2456E	9036398	OBD	OBD
	TW2456C (5/2010 - 3/2017)	9035767	OBD	OBD
	TW2456C (4/2017 - Present)	9159692	OBD	OBD
	TW24510	9035817	OBD	OBD
TW2462	9035768	OBD	OBD	
26	TW26210	9035818	OBD	OBD
	TW2632	9035819	OBD	OBD
	TW2636	9035820	OBD	OBD
	TW26310 (5/2010 - 8/2017)	9035821	OBD	OBD
	TW26310 (9/2017 - Present)	9169029	OBD	OBD
	TW2642	9035822	OBD	OBD
	TW2646 (5/2010 - 3/2017)	9035823	OBD	OBD
	TW2646 (4/2017 - Present)	9159703	OBD	OBD
	TW26410	9035824	OBD	OBD
	TW2652	9035825	OBD	OBD
	TW2656E	9036404	OBD	OBD
	TW2656C (5/2010 - 3/2017)	9035826	OBD	OBD
	TW2656C (4/2017 - Present)	9159704	OBD	OBD
	TW26510	9035827	OBD	OBD
TW2662	9035828	OBD	OBD	

# 400 Series Tilt-Wash (TW) Windows (1992 to Present)

Standard Windows

## Sash

### Sash - Lower / HP Finelight / Natural Wood Interior / 2.2 / No Grommets

### Sash - Lower / HP Low-E4® Finelight / Natural Wood Interior / 2.2 / No Grommets (5/2010 - Present)

**Note:**

Use as replacement sash for HP Finelight glazing. Sash being **replaced** prior to April of 2012 **will not** have 2.2 etching in glass. Sash being **replaced** after April 2012 **will** have 2.2 etching in glass.



	Unit No.	White	Terratone®	Sandtone	Forest Green
<b>28</b>	TW28210	9035769	OBD	OBD	OBD
	TW2832	9035770	OBD	OBD	OBD
	TW2836	9035829	OBD	OBD	OBD
	TW28310 <i>(5/2010 - 8/2017)</i>	9035771	OBD	OBD	OBD
	TW28310 <i>(9/2017 - Present)</i>	9169024	OBD	OBD	OBD
	TW2842	9035772	OBD	OBD	OBD
	TW2846 <i>(5/2010 - 3/2017)</i>	9035773	OBD	OBD	OBD
	TW2846 <i>(4/2017 - Present)</i>	9159693	OBD	OBD	OBD
	TW28410	9035830	OBD	OBD	OBD
	TW2852	9035774	OBD	OBD	OBD
	TW2856E	9036399	OBD	OBD	OBD
	TW2856C <i>(5/2010 - 3/2017)</i>	9035775	OBD	OBD	OBD
	TW2856C <i>(4/2017 - Present)</i>	9159694	OBD	OBD	OBD
	TW28510	9035831	OBD	OBD	OBD
TW2862	9035776	OBD	OBD	OBD	
<b>210</b>	TW210210	9035804	OBD	OBD	OBD
	TW21032	9035805	OBD	OBD	OBD
	TW21036	9035806	OBD	OBD	OBD
	TW210310 <i>(5/2010 - 8/2017)</i>	9035807	OBD	OBD	OBD
	TW210310 <i>(9/2017 - Present)</i>	9169028	OBD	OBD	OBD
	TW21042	9035808	OBD	OBD	OBD
	TW21046 <i>(5/2010 - 3/2017)</i>	9035809	OBD	OBD	OBD
	TW21046 <i>(4/2017 - Present)</i>	9159701	OBD	OBD	OBD
	TW210410	9035810	OBD	OBD	OBD
	TW21052	9035811	OBD	OBD	OBD
	TW21056E	9036403	OBD	OBD	OBD
	TW21056C <i>(5/2010 - 3/2017)</i>	9035812	OBD	OBD	OBD
	TW21056C <i>(4/2017 - Present)</i>	9159702	OBD	OBD	OBD
	TW210510	9035813	OBD	OBD	OBD
TW21062	9035814	OBD	OBD	OBD	

## Sash

### Sash - Lower / HP Finelight / Natural Wood Interior / 2.2 / No Grommets

#### Sash - Lower / HP Low-E4® Finelight / Natural Wood Interior / 2.2 / No Grommets (5/2010 - Present)

**Note:**

Use as replacement sash for HP Finelight glazing. Sash being **replaced** prior to April of 2012 **will not** have 2.2 etching in glass. Sash being **replaced** after April 2012 **will** have 2.2 etching in glass.



Unit No.	White	Terratone®	Sandtone	Forest Green
30	TW30210	9035777	OBD	OBD
	TW3032	9035778	OBD	OBD
	TW3036	9035832	OBD	OBD
	TW30310 (5/2010 - 8/2017)	9035779	OBD	OBD
	TW30310 (9/2017 - Present)	9169025	OBD	OBD
	TW3042	9035780	OBD	OBD
	TW3046 (5/2010 - 3/2017)	9035781	OBD	OBD
	TW3046 (4/2017 - Present)	9159695	OBD	OBD
	TW30410	9035833	OBD	OBD
	TW3052	9035782	OBD	OBD
	TW3056E	9036400	OBD	OBD
	TW3056C (5/2010 - 3/2017)	9035783	OBD	OBD
	TW3056C (4/2017 - Present)	9159696	OBD	OBD
	TW30510	9035834	OBD	OBD
TW3062	9035784	OBD	OBD	
34	TW34210	9035785	OBD	OBD
	TW3432	9035786	OBD	OBD
	TW3436	OBD	OBD	OBD
	TW34310 (5/2010 - 8/2017)	9035787	OBD	OBD
	TW34310 (9/2017 - Present)	9169026	OBD	OBD
	TW3442	9035788	OBD	OBD
	TW3446 (5/2010 - 3/2017)	9035789	OBD	OBD
	TW3446 (4/2017 - Present)	9159697	OBD	OBD
	TW34410	9035835	OBD	OBD
	TW3452	9035790	OBD	OBD
	TW3456E	9036401	OBD	OBD
	TW3456C (5/2010 - 3/2017)	9035791	OBD	OBD
	TW3456C (4/2017 - Present)	9159698	OBD	OBD
	TW34510	9035836	OBD	OBD
TW3462	9035792	OBD	OBD	

# 400 Series Tilt-Wash (TW) Windows (1992 to Present)

Standard Windows

## Sash

### Sash - Lower / HP Finelight / Natural Wood Interior / 2.2 / No Grommets

### Sash - Lower / HP Low-E4® Finelight / Natural Wood Interior / 2.2 / No Grommets (5/2010 - Present)

**Note:**

Use as replacement sash for HP Finelight glazing. Sash being **replaced** prior to April of 2012 **will not** have 2.2 etching in glass. Sash being **replaced** after April 2012 **will** have 2.2 etching in glass.



	Unit No.	White	Terratone®	Sandtone	Forest Green
<b>38</b>	TW38210	OBD	OBD	OBD	OBD
	TW3832	9035793	OBD	OBD	OBD
	TW3836	9035837	OBD	OBD	OBD
	TW38310 (5/2010 - 8/2017)	9035794	OBD	OBD	OBD
	TW38310 (9/2017 - Present)	9169027	OBD	OBD	OBD
	TW3842	OBD	OBD	OBD	OBD
	TW3846 (5/2010 - 3/2017)	9035795	OBD	OBD	OBD
	TW3846 (4/2017 - Present)	9159699	OBD	OBD	OBD
	TW38410	9035838	OBD	OBD	OBD
	TW3852	9035796	OBD	OBD	OBD
	TW3856E	9036402	OBD	OBD	OBD
	TW3856C (5/2010 - 3/2017)	9035797	OBD	OBD	OBD
	TW3856C (4/2017 - Present)	9159700	OBD	OBD	OBD
	TW38510	9035839	OBD	OBD	OBD
TW3862	9035798	OBD	OBD	OBD	

## Sash

<b>Sash - Lower / High-Performance Temp / Natural Wood Interior / No Grommets</b>					
<b>Sash - Lower / High-Performance-Low-E4® Temp / Natural Wood Interior / No Grommets (5/2010 - Present)</b>					
	<b>Unit No.</b>	<b>White</b>	<b>Terratone®</b>	<b>Sandtone</b>	<b>Forest Green</b>
<b>18</b>	TW18210	9035477	OBD	OBD	OBD
	TW1832	9035478	OBD	OBD	OBD
	TW1836	9036220	OBD	OBD	OBD
	TW18310 (5/2010 - 8/2017)	9035479	OBD	OBD	OBD
	TW18310 (9/2017 - Present)	9168987	OBD	OBD	OBD
	TW1842	9035480	OBD	OBD	OBD
	TW1846 (5/2010 - 3/2017)	9035481	OBD	OBD	OBD
	TW1846 (4/2017 - Present)	9159769	OBD	OBD	OBD
	TW18410	9036221	OBD	OBD	OBD
	TW1852	9035482	OBD	OBD	OBD
	TW1856E	OBD	OBD	OBD	OBD
	TW1856C (5/2010 - 3/2017)	9035483	OBD	OBD	OBD
	TW1856C (4/2017 - Present)	9159770	OBD	OBD	OBD
	TW18510	9036222	OBD	OBD	OBD
TW1862	9035484	OBD	OBD	OBD	
<b>20</b>	TW20210	9035485	9036495	9035275	OBD
	TW2032	9035486	9036496	9035276	OBD
	TW2036	9036223	OBD	OBD	OBD
	TW20310 (5/2010 - 8/2017)	9035487	9036497	9035277	OBD
	TW20310 (9/2017 - Present)	9168988	9169091	9168962	OBD
	TW2042	9035488	9036498	9035278	OBD
	TW2046 (5/2010 - 3/2017)	9035489	9036499	9035279	OBD
	TW2046 (4/2017 - Present)	9159771	9159763	9159754	
	TW20410	9036224	OBD	OBD	OBD
	TW2052	9035490	9036500	9035280	OBD
	TW2056E	9036373	OBD	OBD	OBD
	TW2056C (5/2010 - 3/2017)	9035491	OBD	OBD	OBD
	TW2056C (4/2017 - Present)	9159772	OBD	OBD	OBD
	TW20510	9036225	OBD	OBD	OBD
TW2062	9035492	OBD	9035281	OBD	



# 400 Series Tilt-Wash (TW) Windows (1992 to Present)

Standard Windows

## Sash

Sash - Lower / High-Performance Temp / Natural Wood Interior / No Grommets					
Sash - Lower / High-Performance-Low-E4® Temp / Natural Wood Interior / No Grommets (5/2010 - Present)					
	Unit No.	White	Terratone®	Sandtone	Forest Green
<b>24</b>	TW24210	9035493	OBD	OBD	OBD
	TW2432	9035494	9036501	9035282	OBD
	TW2436	9036237	OBD	OBD	OBD
	TW24310 (5/2010 - 8/2017)	9035495	9036502	9035283	OBD
	TW24310 (9/2017 - Present)	9168989	9169092	9168963	OBD
	TW2442	9035496	OBD	9035284	OBD
	TW2446 (5/2010 - 3/2017)	9035497	9036503	9035285	OBD
	TW2446 (4/2017 - Present)	9159773	9159764	9159755	OBD
	TW24410	9036238	OBD	OBD	OBD
	TW2452	9035498	9036504	9035286	OBD
	TW2456E	9036374	OBD	OBD	OBD
	TW2456C (5/2010 - 3/2017)	9035499	OBD	OBD	OBD
	TW2456C (4/2017 - Present)	9159774	OBD	OBD	OBD
	TW24510	9036239	OBD	OBD	OBD
	TW2462	9035500	OBD	OBD	OBD
<b>26</b>	TW26210	9036240	OBD	OBD	OBD
	TW2632	9036241	OBD	OBD	OBD
	TW2636	9036242	OBD	OBD	OBD
	TW26310 (5/2010 - 8/2017)	9036243	OBD	OBD	OBD
	TW26310 (9/2017 - Present)	9169077	OBD	OBD	OBD
	TW2642	9036244	OBD	OBD	OBD
	TW2646 (5/2010 - 3/2017)	9036245	OBD	OBD	OBD
	TW2646 (4/2017 - Present)	9159792	OBD	OBD	OBD
	TW26410	9036246	OBD	OBD	OBD
	TW2652	9036247	OBD	OBD	OBD
	TW2656E	9036438	OBD	OBD	OBD
	TW2656C (5/2010 - 3/2017)	OBD	OBD	OBD	OBD
	TW2656C (4/2017 - Present)	OBD	OBD	OBD	OBD
	TW26510	9036248	OBD	OBD	OBD
	TW2662	9036249	OBD	OBD	OBD

## Sash

<b>Sash - Lower / High-Performance Temp / Natural Wood Interior / No Grommets</b>					
<b>Sash - Lower / High-Performance-Low-E4® Temp / Natural Wood Interior / No Grommets (5/2010 - Present)</b>					
<b>Unit No.</b>	<b>White</b>	<b>Terratone®</b>	<b>Sandtone</b>	<b>Forest Green</b>	
<b>28</b>	TW28210	9035501	9036505	9035287	OBD
	TW2832	9035502	9036506	9035288	OBD
	TW2836	9036250	OBD	OBD	OBD
	TW28310 (5/2010 - 8/2017)	9035503	9036507	9035289	OBD
	TW28310 (9/2017 - Present)	9168990	9169093	9168964	OBD
	TW2842	9035504	9036508	9035290	OBD
	TW2846 (5/2010 - 3/2017)	9035505	9036509	9035291	OBD
	TW2846 (4/2017 - Present)	9159775	9159765	9159756	OBD
	TW28410	9036251	OBD	OBD	OBD
	TW2852	9035506	9036510	9035292	OBD
	TW2856E	9036375	OBD	9035120	OBD
	TW2856C (5/2010 - 3/2017)	9035507	9036511	OBD	OBD
	TW2856C (4/2017 - Present)	9159776	9159766	OBD	OBD
	TW28510	9036252	OBD	OBD	OBD
	TW2862	9035508	9036512	9035293	OBD
<b>210</b>	TW210210	9036226	OBD	OBD	OBD
	TW21032	9036227	OBD	OBD	OBD
	TW21036	9036228	OBD	OBD	OBD
	TW210310 (5/2010 - 8/2017)	9036229	OBD	OBD	OBD
	TW210310 (9/2017 - Present)	9169076	OBD	OBD	OBD
	TW21042	9036230	OBD	OBD	OBD
	TW21046 (5/2010 - 3/2017)	9036231	OBD	OBD	OBD
	TW21046 (4/2017 - Present)	9159790	OBD	OBD	OBD
	TW210410	9036232	OBD	OBD	OBD
	TW21052	9036233	OBD	OBD	OBD
	TW21056E	OBD	OBD	OBD	OBD
	TW21056C (5/2010 - 3/2017)	9036234	OBD	OBD	OBD
	TW21056C (4/2017 - Present)	9159791	OBD	OBD	OBD
	TW210510	9036235	OBD	OBD	OBD
	TW21062	9036236	OBD	OBD	OBD

# 400 Series Tilt-Wash (TW) Windows (1992 to Present)

Standard Windows

## Sash

Sash - Lower / High-Performance Temp / Natural Wood Interior / No Grommets					
Sash - Lower / High-Performance-Low-E4® Temp / Natural Wood Interior / No Grommets (5/2010 - Present)					
	Unit No.	White	Terratone®	Sandtone	Forest Green
<b>30</b>	TW30210	9035509	OBD	9035294	OBD
	TW3032	9035510	9036513	9035295	OBD
	TW3036	9036253	OBD	OBD	OBD
	TW30310 (5/2010 - 8/2017)	9035511	9036514	9035296	OBD
	TW30310 (9/2017 - Present)	9168991	9169094	9168965	OBD
	TW3042	9035512	9036515	9035297	OBD
	TW3046 (5/2010 - 3/2017)	9035513	9036516	9035298	OBD
	TW3046 (4/2017 - Present)	9159777	9159767	9159757	OBD
	TW30410	9036254	OBD	OBD	OBD
	TW3052	9035514	9036517	9035299	OBD
	TW3056E	9036376	9036670	9035121	OBD
	TW3056C (5/2010 - 3/2017)	9035515	9036518	9035300	OBD
	TW3056C (4/2017 - Present)	9159778	9159768	9159758	OBD
	TW30510	9036255	OBD	OBD	OBD
TW3062	9035516	9036519	9035301	OBD	
<b>34</b>	TW34210	9035517	OBD	OBD	OBD
	TW3436	9036256	OBD	OBD	OBD
	TW34310 (5/2010 - 8/2017)	9035518	OBD	9035302	OBD
	TW34310 (9/2017 - Present)	9168992	OBD	9168966	OBD
	TW3442	9035519	OBD	OBD	OBD
	TW3446 (5/2010 - 3/2017)	9035520	OBD	OBD	OBD
	TW3446 (4/2017 - Present)	9159779	OBD	OBD	OBD
	TW34410	9036257	OBD	OBD	OBD
	TW3452	9035521	9036520	9035303	OBD
	TW3456E	9036377	OBD	OBD	OBD
	TW3456C (5/2010 - 3/2017)	9035522	OBD	OBD	OBD
	TW3456C (4/2017 - Present)	9159780	OBD	OBD	OBD
	TW34510	9036258	OBD	OBD	OBD
	TW3462	9035523	OBD	OBD	OBD

## Sash

<b>Sash - Lower / High-Performance Temp / Natural Wood Interior / No Grommets</b>					
<b>Sash - Lower / High-Performance-Low-E4® Temp / Natural Wood Interior / No Grommets (5/2010 - Present)</b>					
<b>Unit No.</b>	<b>White</b>	<b>Terratone®</b>	<b>Sandtone</b>	<b>Forest Green</b>	
<b>38</b>	TW38210	9035524	OBD	OBD	OBD
	TW3832	9035525	OBD	OBD	OBD
	TW3836	9036259	OBD	OBD	OBD
	TW38310 (5/2010 - 8/2017)	9035526	OBD	OBD	OBD
	TW38310 (9/2017 - Present)	9168993	OBD	OBD	OBD
	TW3842	9035527	OBD	OBD	OBD
	TW3846 (5/2010 - 3/2017)	9035528	OBD	9035304	OBD
	TW3846 (4/2017 - Present)	9159781	OBD	9159759	OBD
	TW38410	9036260	OBD	OBD	OBD
	TW3852	9035529	OBD	OBD	OBD
	TW3856E	OBD	OBD	OBD	OBD
	TW3856C (5/2010 - 3/2017)	9035530	OBD	OBD	OBD
	TW3856C (4/2017 - Present)	9159782	OBD	OBD	OBD
	TW38510	9036261	OBD	OBD	OBD
TW3862	9035531	OBD	OBD	OBD	

# 400 Series Tilt-Wash (TW) Windows (1992 to Present)

Standard Windows

## Sash

Sash - Lower / High-Performance Temp / Prefinished Interior / No Grommets					
Sash - Lower / High-Performance-Low E4® Temp / Prefinished Interior / No Grommets (5/2010 - Present)					
	Unit No.	White	Terratone®	Sandtone	Forest Green
<b>18</b>	<b>TW18210</b>	9035695	OBD	OBD	OBD
	<b>TW1832</b>	9035696	OBD	OBD	OBD
	<b>TW1836</b>	9036300	OBD	OBD	OBD
	<b>TW18310</b> <i>(5/2010 - 8/2017)</i>	9035697	OBD	OBD	OBD
	<b>TW18310</b> <i>(9/2017 - Present)</i>	9169015	OBD	OBD	OBD
	<b>TW1842</b>	9035698	OBD	OBD	OBD
	<b>TW1846</b> <i>(5/2010 - 3/2017)</i>	9035699	OBD	OBD	OBD
	<b>TW1846</b> <i>(4/2017 - Present)</i>	9159801	OBD	OBD	OBD
	<b>TW18410</b>	OBD	OBD	OBD	OBD
	<b>TW1852</b>	9035700	OBD	OBD	OBD
	<b>TW1856E</b>	9036389	OBD	OBD	OBD
	<b>TW1856C</b> <i>(5/2010 - 3/2017)</i>	9035701	OBD	OBD	OBD
	<b>TW1856C</b> <i>(4/2017 - Present)</i>	9159802	OBD	OBD	OBD
	<b>TW18510</b>	OBD	OBD	OBD	OBD
	<b>TW1862</b>	9035702	OBD	OBD	OBD
<b>20</b>	<b>TW20210</b>	9035703	OBD	OBD	OBD
	<b>TW2032</b>	9035704	OBD	OBD	OBD
	<b>TW2036</b>	9036301	OBD	OBD	OBD
	<b>TW20310</b> <i>(5/2010 - 8/2017)</i>	9035705	OBD	OBD	OBD
	<b>TW20310</b> <i>(9/2017 - Present)</i>	9169016	OBD	OBD	OBD
	<b>TW2042</b>	9035706	OBD	OBD	OBD
	<b>TW2046</b> <i>(5/2010 - 3/2017)</i>	9035707	OBD	OBD	OBD
	<b>TW2046</b> <i>(4/2017 - Present)</i>	9159803	OBD	OBD	OBD
	<b>TW20410</b>	9036302	OBD	OBD	OBD
	<b>TW2052</b>	9035708	OBD	OBD	OBD
	<b>TW2056E</b>	9036390	OBD	OBD	OBD
	<b>TW2056C</b> <i>(5/2010 - 3/2017)</i>	9035709	OBD	OBD	OBD
	<b>TW2056C</b> <i>(4/2017 - Present)</i>	9159804	OBD	OBD	OBD
	<b>TW20510</b>	9036303	OBD	OBD	OBD
	<b>TW2062</b>	9035710	OBD	OBD	OBD

## Sash

<b>Sash - Lower / High-Performance Temp / Prefinished Interior / No Grommets</b>					
<b>Sash - Lower / High-Performance-Low E4® Temp / Prefinished Interior / No Grommets (5/2010 - Present)</b>					
<b>Unit No.</b>	<b>White</b>	<b>Terratone®</b>	<b>Sandtone</b>	<b>Forest Green</b>	
<b>24</b>	<b>TW24210</b>	9035711	OBD	OBD	OBD
	<b>TW2432</b>	9035712	OBD	OBD	OBD
	<b>TW2436</b>	9036313	OBD	OBD	OBD
	<b>TW24310</b> <i>(5/2010 - 8/2017)</i>	9035713	OBD	OBD	OBD
	<b>TW24310</b> <i>(9/2017 - Present)</i>	9169017	OBD	OBD	OBD
	<b>TW2442</b>	9035714	OBD	OBD	OBD
	<b>TW2446</b> <i>(5/2010 - 3/2017)</i>	9035715	OBD	OBD	OBD
	<b>TW2446</b> <i>(4/2017 - Present)</i>	9159805	OBD	OBD	OBD
	<b>TW24410</b>	9036314	OBD	OBD	OBD
	<b>TW2452</b>	9035716	OBD	OBD	OBD
	<b>TW2456E</b>	9036391	OBD	OBD	OBD
	<b>TW2456C</b> <i>(5/2010 - 3/2017)</i>	9035717	OBD	OBD	OBD
	<b>TW2456C</b> <i>(4/2017 - Present)</i>	9159806	OBD	OBD	OBD
	<b>TW24510</b>	9036315	OBD	OBD	OBD
	<b>TW2462</b>	9035718	OBD	OBD	OBD
<b>26</b>	<b>TW26210</b>	OBD	OBD	OBD	OBD
	<b>TW2632</b>	9036316	OBD	OBD	OBD
	<b>TW2636</b>	9036317	OBD	OBD	OBD
	<b>TW26310</b> <i>(5/2010 - 8/2017)</i>	9036318	OBD	OBD	OBD
	<b>TW26310</b> <i>(9/2017 - Present)</i>	9169081	OBD	OBD	OBD
	<b>TW2642</b>	9036319	OBD	OBD	OBD
	<b>TW2646</b> <i>(5/2010 - 3/2017)</i>	9036320	OBD	OBD	OBD
	<b>TW2646</b> <i>(4/2017 - Present)</i>	9159815	OBD	OBD	OBD
	<b>TW26410</b>	OBD	OBD	OBD	OBD
	<b>TW2652</b>	9036322	OBD	OBD	OBD
	<b>TW2656E</b>	9036440	OBD	OBD	OBD
	<b>TW2656C</b> <i>(5/2010 - 3/2017)</i>	9036323	OBD	OBD	OBD
	<b>TW2656C</b> <i>(4/2017 - Present)</i>	9159816	OBD	OBD	OBD
	<b>TW26510</b>	9036324	OBD	OBD	OBD
	<b>TW2662</b>	OBD	OBD	OBD	OBD

# 400 Series Tilt-Wash (TW) Windows (1992 to Present)

Standard Windows

## Sash

Sash - Lower / High-Performance Temp / Prefinished Interior / No Grommets					
Sash - Lower / High-Performance-Low E4® Temp / Prefinished Interior / No Grommets (5/2010 - Present)					
	Unit No.	White	Terratone®	Sandtone	Forest Green
28	TW28210	9035719	OBD	OBD	OBD
	TW2832	9035720	OBD	OBD	OBD
	TW2836	9036325	OBD	OBD	OBD
	TW28310 <i>(5/2010 - 8/2017)</i>	9035721	OBD	OBD	OBD
	TW28310 <i>(9/2017 - Present)</i>	9169018	OBD	OBD	OBD
	TW2842	9035722	OBD	OBD	OBD
	TW2846 <i>(5/2010 - 3/2017)</i>	9035723	OBD	OBD	OBD
	TW2846 <i>(4/2017 - Present)</i>	9159807	OBD	OBD	OBD
	TW28410	9036326	OBD	OBD	OBD
	TW2852	9035724	OBD	OBD	OBD
	TW2856E	9036392	OBD	OBD	OBD
	TW2856C <i>(5/2010 - 3/2017)</i>	9035725	OBD	OBD	OBD
	TW2856C <i>(4/2017 - Present)</i>	9159808	OBD	OBD	OBD
	TW28510	9036327	OBD	OBD	OBD
	TW2862	9035726	OBD	OBD	OBD
210	TW210210	9036304	OBD	OBD	OBD
	TW21032	OBD	OBD	OBD	OBD
	TW21036	9036305	OBD	OBD	OBD
	TW210310 <i>(5/2010 - 8/2017)</i>	9036306	OBD	OBD	OBD
	TW210310 <i>(9/2017 - Present)</i>	9169080	OBD	OBD	OBD
	TW21042	9036307	OBD	OBD	OBD
	TW21046 <i>(5/2010 - 3/2017)</i>	9036308	OBD	OBD	OBD
	TW21046 <i>(4/2017 - Present)</i>	9159813	OBD	OBD	OBD
	TW210410	9036309	OBD	OBD	OBD
	TW21052	9036310	OBD	OBD	OBD
	TW21056E	9036439	OBD	OBD	OBD
	TW21056C <i>(5/2010 - 3/2017)</i>	9036311	OBD	OBD	OBD
	TW21056C <i>(4/2017 - Present)</i>	9159814	OBD	OBD	OBD
	TW210510	9036312	OBD	OBD	OBD
	TW21062	OBD	OBD	OBD	OBD

**Sash**

<b>Sash - Lower / High-Performance Temp / Prefinished Interior / No Grommets</b>					
<b>Sash - Lower / High-Performance-Low E4® Temp / Prefinished Interior / No Grommets (5/2010 - Present)</b>					
Unit No.	White	Terratone®	Sandtone	Forest Green	
<b>30</b>	TW30210	9035727	OBD	OBD	OBD
	TW3032	9035728	OBD	OBD	OBD
	TW3036	OBD	OBD	OBD	OBD
	TW30310 <i>(5/2010 - 8/2017)</i>	9035729	OBD	OBD	OBD
	TW30310 <i>(9/2017 - Present)</i>	9169019	OBD	OBD	OBD
	TW3042	9035730	OBD	OBD	OBD
	TW3046 <i>(5/2010 - 3/2017)</i>	9035731	OBD	OBD	OBD
	TW3046 <i>(4/2017 - Present)</i>	9159809	OBD	OBD	OBD
	TW30410	9036328	OBD	OBD	OBD
	TW3052	9035732	OBD	OBD	OBD
	TW3056E	9036393	OBD	OBD	OBD
	TW3056C <i>(5/2010 - 3/2017)</i>	9035733	OBD	OBD	OBD
	TW3056C <i>(4/2017 - Present)</i>	9159810	OBD	OBD	OBD
	TW30510	9036329	OBD	OBD	OBD
TW3062	9035734	OBD	OBD	OBD	
<b>34</b>	TW34210	OBD	OBD	OBD	OBD
	TW3436	OBD	OBD	OBD	OBD
	TW34310 <i>(5/2010 - 8/2017)</i>	OBD	OBD	OBD	OBD
	TW34310 <i>(9/2017 - Present)</i>	OBD	OBD	OBD	OBD
	TW3442	9035736	OBD	OBD	OBD
	TW3446 <i>(5/2010 - 3/2017)</i>	9035737	OBD	OBD	OBD
	TW3446 <i>(4/2017 - Present)</i>	9159811	OBD	OBD	OBD
	TW34410	9036330	OBD	OBD	OBD
	TW3452	9035738	OBD	OBD	OBD
	TW3456E	9036394	OBD	OBD	OBD
	TW3456C <i>(5/2010 - 3/2017)</i>	OBD	OBD	OBD	OBD
	TW3456C <i>(4/2017 - Present)</i>	OBD	OBD	OBD	OBD
	TW34510	9036331	OBD	OBD	OBD
	TW3462	9035739	OBD	OBD	OBD



## 400 Series Tilt-Wash (TW) Windows (1992 to Present)

*Standard Windows*

### Sash

Sash - Lower / High-Performance Temp / Prefinished Interior / No Grommets					
Sash - Lower / High-Performance-Low E4® Temp / Prefinished Interior / No Grommets (5/2010 - Present)					
Unit No.	White	Terratone®	Sandtone	Forest Green	
<b>38</b>	TW38210	OBD	OBD	OBD	OBD
	TW3832	OBD	OBD	OBD	OBD
	TW3836	OBD	OBD	OBD	OBD
	TW38310 <i>(5/2010 - 8/2017)</i>	9035740	OBD	OBD	OBD
	TW38310 <i>(9/2017 - Present)</i>	9169020	OBD	OBD	OBD
	TW3842	9035741	OBD	OBD	OBD
	TW3846 <i>(5/2010 - 3/2017)</i>	9035742	OBD	OBD	OBD
	TW3846 <i>(4/2017 - Present)</i>	9159812	OBD	OBD	OBD
	TW38410	9036333	OBD	OBD	OBD
	TW3852	9035743	OBD	OBD	OBD
	TW3856E	9036395	OBD	OBD	OBD
	TW3856C <i>(5/2010 - 3/2017)</i>	OBD	OBD	OBD	OBD
	TW3856C <i>(4/2017 - Present)</i>	OBD	OBD	OBD	OBD
	TW38510	9036334	OBD	OBD	OBD
	TW3862	9035744	OBD	OBD	OBD

## Sash

**Sash - Lower / HP Low-E4® / 3.0 / Natural Wood Interior / No Grommets (4/2012 - 2015)**



Unit No.	White	Terratone®	Sandtone	Forest Green	
<b>18</b>	TW18210	OBD	OBD	OBD	
	TW1832	OBD	OBD	OBD	
	TW1836	OBD	OBD	OBD	
	TW18310	OBD	OBD	OBD	
	TW1842	OBD	OBD	OBD	
	TW1846	OBD	OBD	OBD	
	TW1856E	OBD	OBD	OBD	
	TW1856C	9057288	9058135	9057191	OBD
	TW18410	OBD	OBD	OBD	OBD
	TW1852	OBD	OBD	OBD	OBD
	TW18510	OBD	OBD	OBD	OBD
	TW1862	9057289	9058136	9057192	OBD
<b>20</b>	TW20210	OBD	OBD	OBD	
	TW2032	OBD	OBD	OBD	
	TW2036	OBD	OBD	OBD	
	TW20310	OBD	OBD	OBD	
	TW2042	OBD	OBD	OBD	OBD
	TW2046	OBD	OBD	OBD	OBD
	TW2056E	OBD	OBD	OBD	OBD
	TW2056C	9057296	9058143	9057199	OBD
	TW20410	OBD	OBD	OBD	OBD
	TW2052	OBD	OBD	OBD	OBD
	TW20510	OBD	OBD	OBD	OBD
	TW2062	OBD	OBD	OBD	OBD

# 400 Series Tilt-Wash (TW) Windows (1992 to Present)

Standard Windows

## Sash

Sash - Lower / HP Low-E4® / 3.0 / Natural Wood Interior / No Grommets (4/2012 - 2015)



Unit No.	White	Terratone®	Sandtone	Forest Green
<b>24</b>	TW24210	OBD	OBD	OBD
	TW2432	OBD	OBD	OBD
	TW2436	OBD	OBD	OBD
	TW24310	OBD	OBD	OBD
	TW2442	OBD	OBD	OBD
	TW2446	OBD	OBD	OBD
	TW24410	OBD	OBD	OBD
	TW2452	OBD	OBD	OBD
	TW2456E	OBD	OBD	OBD
	TW2456C	OBD	OBD	OBD
	TW24510	OBD	OBD	OBD
	TW2462	OBD	OBD	OBD
<b>26</b>	TW26210	OBD	OBD	OBD
	TW2632	OBD	OBD	OBD
	TW2636	OBD	OBD	OBD
	TW26310	OBD	OBD	OBD
	TW2642	OBD	OBD	OBD
	TW2646	OBD	OBD	OBD
	TW26410	OBD	OBD	OBD
	TW2652	OBD	OBD	OBD
	TW2656E	OBD	OBD	OBD
	TW2656C	9057453	OBD	OBD
	TW26510	OBD	OBD	OBD
	TW2662	OBD	OBD	OBD

**Sash**

**Sash - Lower / HP Low-E4® / 3.0 / Natural Wood Interior / No Grommets (4/2012 - 2015)**



	<b>Unit No.</b>	<b>White</b>	<b>Terratone®</b>	<b>Sandtone</b>	<b>Forest Green</b>
<b>28</b>	TW28210	OBD	OBD	OBD	OBD
	TW2832	OBD	OBD	OBD	OBD
	TW2836	OBD	OBD	OBD	OBD
	TW28310	OBD	OBD	OBD	OBD
	TW2842	OBD	OBD	OBD	OBD
	TW2846	OBD	OBD	OBD	OBD
	TW28410	OBD	OBD	OBD	OBD
	TW2852	OBD	OBD	OBD	OBD
	TW2856E	OBD	OBD	OBD	OBD
	TW2856C	OBD	OBD	OBD	OBD
	TW28510	OBD	OBD	OBD	OBD
	TW2862	OBD	OBD	OBD	OBD
<b>210</b>	TW210210	OBD	OBD	OBD	OBD
	TW21032	OBD	OBD	OBD	OBD
	TW21036	OBD	OBD	OBD	OBD
	TW210310	OBD	OBD	OBD	OBD
	TW21042	OBD	OBD	OBD	OBD
	TW21046	OBD	OBD	OBD	OBD
	TW210410	OBD	OBD	OBD	OBD
	TW21052	OBD	OBD	OBD	OBD
	TW21056E	OBD	OBD	OBD	OBD
	TW21056C	OBD	OBD	OBD	OBD
	TW210510	OBD	OBD	OBD	OBD
	TW21062	OBD	OBD	OBD	OBD
TW30210	OBD	OBD	OBD	OBD	
<b>30</b>	TW3032	OBD	OBD	OBD	OBD
	TW3036	OBD	OBD	OBD	OBD
	TW30310	OBD	OBD	OBD	OBD
	TW3042	OBD	OBD	OBD	OBD
	TW3046	OBD	OBD	OBD	OBD
	TW30410	OBD	OBD	OBD	OBD
	TW3052	OBD	OBD	OBD	OBD
	TW3056E	OBD	OBD	OBD	OBD
	TW3056C	OBD	OBD	OBD	OBD
	TW30510	OBD	OBD	OBD	OBD
	TW3062	OBD	OBD	OBD	OBD

# 400 Series Tilt-Wash (TW) Windows (1992 to Present)

Standard Windows

## Sash

### Sash - Lower / HP Low-E4® / 3.0 / Natural Wood Interior / No Grommets (4/2012 - 2015)



Unit No.	White	Terratone®	Sandtone	Forest Green	
<b>34</b>	TW34210	OBD	OBD	OBD	
	TW3432	OBD	OBD	OBD	
	TW3436	OBD	OBD	OBD	
	TW34310	OBD	OBD	OBD	
	TW3442	OBD	OBD	OBD	
	TW3446	OBD	OBD	OBD	
	TW34410	OBD	OBD	OBD	
	TW3452	OBD	OBD	OBD	
	TW3456E	OBD	OBD	OBD	
	TW3456C	OBD	OBD	OBD	
	TW34510	OBD	OBD	OBD	
	TW3462	OBD	OBD	OBD	
<b>38</b>	TW38210	OBD	OBD	OBD	
	TW3832	OBD	OBD	OBD	
	TW3836	OBD	OBD	OBD	
	TW38310	OBD	OBD	OBD	
	TW3842	OBD	OBD	OBD	
	TW3846	OBD	OBD	OBD	
	TW38410	OBD	OBD	OBD	
	TW3852	OBD	OBD	OBD	
	TW3856E	OBD	OBD	OBD	
	TW3856C	9057336	9058183	9057239	OBD
	TW38510	OBD	OBD	OBD	OBD
	TW3862	OBD	OBD	OBD	OBD

### Sash - Lower / HP Low-E4® Passive Sun / 3.0 / Natural Wood Interior / No Grommets (4/2012 - 2015)



## Sash

**Sash - Lower / HP Low-E4® Passive Sun / 3.0 / Natural Wood Interior / No Grommets (4/2012 - 2015)**

**Note:**

Available OBD. Specify White, Terratone®, Sandtone or Forest Green.

**Sash - Lower / HP Low-E4® Smart Sun / 3.0 / Natural Wood Interior / No Grommets 4/2012 - 2015**



**Note:**

Available OBD. Specify White, Terratone®, Sandtone or Forest Green.

**Sash - Lower / HP Sun II / 3.0 / Natural Wood Interior / No Grommets 4/2012 - 2015**



**Note:**

Available OBD. Specify White, Terratone®, Sandtone or Forest Green.

# 400 Series Tilt-Wash (TW) Windows (1992 to Present)

Standard Windows

## Sash

**Sash - Lower/ HP Low-E4® / 3.0 / Prefinished Interior / No Grommets (4/2012 - 2015)**



Unit No.		White	Unit No.		White	Unit No.		White
<b>18</b>	TW18210	OBD	<b>26</b>	TW26210	OBD	<b>30</b>	TW30210	OBD
	TW1832	OBD		TW2632	OBD		TW3032	OBD
	TW1836	OBD		TW2636	OBD		TW3036	OBD
	TW18310	OBD		TW26310	OBD		TW30310	OBD
	TW1842	OBD		TW2642	OBD		TW3042	OBD
	TW1846	OBD		TW2646	OBD		TW3046	OBD
	TW1856E	OBD		TW26410	OBD		TW30410	OBD
	TW1856C	9057344		TW2652	OBD		TW3052	OBD
	TW18410	OBD		TW2656E	OBD		TW3056E	OBD
	TW1852	OBD		TW2656C	9057453		TW3056C	OBD
	TW18510	OBD		TW26510	OBD		TW30510	OBD
	TW1862	9057345		TW2662	OBD		TW3062	OBD
<b>20</b>	TW20210	OBD	<b>28</b>	TW28210	OBD	<b>34</b>	TW34210	OBD
	TW2032	OBD		TW2832	OBD		TW3432	OBD
	TW2036	OBD		TW2836	OBD		TW3436	OBD
	TW20310	OBD		TW28310	OBD		TW34310	OBD
	TW2042	OBD		TW2842	OBD		TW3442	OBD
	TW2046	OBD		TW2846	OBD		TW3446	OBD
	TW2056E	OBD		TW28410	OBD		TW34410	OBD
	TW2056C	9057352		TW2852	OBD		TW3452	OBD
	TW20410	OBD		TW2856E	OBD		TW3456E	OBD
	TW2052	OBD		TW2856C	OBD		TW3456C	OBD
	TW20510	OBD		TW28510	OBD		TW34510	OBD
	TW2062	OBD		TW2862	OBD		TW3462	OBD
<b>24</b>	TW24210	OBD	<b>210</b>	TW210210	OBD	<b>38</b>	TW38210	OBD
	TW2432	OBD		TW21032	OBD		TW3832	OBD
	TW2436	OBD		TW21036	OBD		TW3836	OBD
	TW24310	OBD		TW210310	OBD		TW38310	OBD
	TW2442	OBD		TW21042	OBD		TW3842	OBD
	TW2446	OBD		TW21046	OBD		TW3846	OBD
	TW24410	OBD		TW210410	OBD		TW38410	OBD
	TW2452	OBD		TW21052	OBD		TW3852	OBD
	TW2456E	OBD		TW21056E	OBD		TW3856E	OBD
	TW2456C	OBD		TW21056C	OBD		TW3856C	9057392
	TW24510	OBD		TW210510	OBD		TW38510	OBD
	TW2462	OBD		TW21062	OBD		TW3862	OBD

## Sash

**Sash - Lower / HP Low-E4® Sun / 3.0 / Natural Wood Interior / No Grommets (4/2012 - 2015)**



Unit No.	White	Terratone®	Sandtone	Forest Green
<b>18</b>	TW18210	9057479	OBD	OBD
	TW1832	OBD	OBD	OBD
	TW1836	OBD	OBD	OBD
	TW18310	9057480	9058205	OBD
	TW1842	9057481	OBD	OBD
	TW1846	9057482	OBD	OBD
	TW1856E	9058003	OBD	OBD
	TW1856C	OBD	OBD	OBD
	TW18410	OBD	OBD	OBD
	TW1852	OBD	OBD	OBD
	TW18510	OBD	OBD	OBD
	TW1862	OBD	OBD	OBD
<b>20</b>	TW20210	OBD	OBD	OBD
	TW2032	9057483	OBD	9057241
	TW2036	OBD	OBD	OBD
	TW20310	9057484	OBD	9057242
	TW2042	9057485	9058206	9057243
	TW2046	9057486	9058207	9057244
	TW2056E	OBD	OBD	OBD
	TW2056C	9057488	OBD	OBD
	TW20410	OBD	OBD	OBD
	TW2052	9057487	9058208	OBD
	TW20510	OBD	OBD	OBD
	TW2062	OBD	OBD	9057245



# 400 Series Tilt-Wash (TW) Windows (1992 to Present)

Standard Windows

## Sash

Sash - Lower / HP Low-E4® Sun / 3.0 / Natural Wood Interior / No Grommets (4/2012 - 2015)



Unit No.		White	Terratone®	Sandtone	Forest Green
<b>24</b>	TW24210	9057489	OBD	9057246	OBD
	TW2432	OBD	OBD	OBD	OBD
	TW2436	OBD	OBD	OBD	OBD
	TW24310	9057490	9058209	9057247	OBD
	TW2442	9057491	9058210	OBD	OBD
	TW2446	9057492	9058211	9057248	OBD
	TW24410	OBD	OBD	OBD	OBD
	TW2452	9057493	9058212	OBD	OBD
	TW2456E	9057494	OBD	9057132	OBD
	TW2456C	OBD	OBD	OBD	OBD
	TW24510	OBD	OBD	OBD	OBD
	TW2462	9057495	9058213	OBD	OBD
<b>26</b>	TW26210	OBD	OBD	OBD	OBD
	TW2632	OBD	OBD	OBD	OBD
	TW2636	OBD	OBD	OBD	OBD
	TW26310	OBD	OBD	OBD	OBD
	TW2642	OBD	OBD	OBD	OBD
	TW2646	OBD	OBD	OBD	OBD
	TW26410	OBD	OBD	OBD	OBD
	TW2652	OBD	OBD	OBD	OBD
	TW2656E	OBD	OBD	OBD	OBD
	TW2656C	OBD	OBD	OBD	OBD
	TW26510	OBD	OBD	OBD	OBD
	TW2662	OBD	OBD	OBD	OBD

## Sash

**Sash - Lower / HP Low-E4® Sun / 3.0 / Natural Wood Interior / No Grommets (4/2012 - 2015)**



Unit No.	White	Terratone®	Sandtone	Forest Green	
<b>28</b>	TW28210	9057496	9058214	OBD	OBD
	TW2832	9057497	OBD	OBD	OBD
	TW2836	OBD	OBD	OBD	OBD
	TW28310	OBD	OBD	OBD	OBD
	TW2842	9057499	OBD	9057249	OBD
	TW2846	OBD	OBD	OBD	OBD
	TW28410	OBD	OBD	OBD	OBD
	TW2852	OBD	OBD	OBD	OBD
	TW2856E	9058004	OBD	9057133	OBD
	TW2856C	9057502	9058217	9057252	OBD
	TW28510	OBD	OBD	OBD	OBD
	TW2862	9057503	OBD	9057253	OBD
<b>210</b>	TW210210	OBD	OBD	OBD	OBD
	TW21032	OBD	OBD	OBD	OBD
	TW21036	OBD	OBD	OBD	OBD
	TW210310	OBD	OBD	OBD	OBD
	TW21042	OBD	OBD	OBD	OBD
	TW21046	OBD	OBD	OBD	OBD
	TW210410	OBD	OBD	OBD	OBD
	TW21052	OBD	OBD	OBD	OBD
	TW21056E	OBD	OBD	OBD	OBD
	TW21056C	OBD	OBD	OBD	OBD
	TW210510	OBD	OBD	OBD	OBD
TW21062	OBD	OBD	OBD	OBD	

# 400 Series Tilt-Wash (TW) Windows (1992 to Present)

Standard Windows

## Sash

**Sash - Lower / HP Low-E4® Sun / 3.0 / Natural Wood Interior / No Grommets (4/2012 - 2015)**



Unit No.		White	Terratone®	Sandtone	Forest Green
<b>30</b>	TW30210	9057504	OBD	OBD	OBD
	TW3032	OBD	OBD	OBD	OBD
	TW3036	OBD	OBD	OBD	OBD
	TW30310	OBD	OBD	OBD	OBD
	TW3042	9057507	9058220	9057254	OBD
	TW3046	OBD	OBD	OBD	OBD
	TW30410	OBD	OBD	OBD	OBD
	TW3052	OBD	OBD	OBD	OBD
	TW3056E	9058005	OBD	OBD	OBD
	TW3056C	9057510	9058222	9057257	OBD
	TW30510	OBD	OBD	OBD	OBD
	TW3062	9057511	9058223	9057258	OBD
<b>34</b>	TW34210	OBD	OBD	OBD	OBD
	TW3432	9057512	OBD	OBD	OBD
	TW3436	OBD	OBD	OBD	OBD
	TW34310	OBD	OBD	OBD	OBD
	TW3442	OBD	OBD	OBD	OBD
	TW3446	9057513	9058224	9057259	OBD
	TW34410	OBD	OBD	OBD	OBD
	TW3452	9057514	OBD	9057260	OBD
	TW3456E	OBD	OBD	OBD	OBD
	TW3456C	9057515	OBD	OBD	OBD
	TW34510	OBD	OBD	OBD	OBD
	TW3462	9057516	OBD	OBD	OBD

## Sash

**Sash - Lower / HP Low-E4® Sun / 3.0 / Natural Wood Interior / No Grommets (4/2012 - 2015)**



Unit No.		White	Terratone®	Sandtone	Forest Green
<b>38</b>	TW38210	OBD	OBD	9057261	OBD
	TW3832	OBD	9058225	9057262	OBD
	TW3836	OBD	OBD	OBD	OBD
	TW38310	9057517	9058226	OBD	OBD
	TW3842	OBD	OBD	OBD	OBD
	TW3846	9057518	9058227	9057263	OBD
	TW38410	OBD	OBD	OBD	OBD
	TW3852	9057519	OBD	OBD	OBD
	TW3856E	OBD	OBD	OBD	OBD
	TW3856C	9057520	OBD	OBD	OBD
	TW38510	OBD	OBD	OBD	OBD
	TW3862	9057521	OBD	OBD	OBD

**Sash - Lower / HP Low-E4® Passive Sun / 3.0 / Natural Wood Interior / No Grommets (4/2012 - 2015)**



**Note:**  
Available OBD. Specify White, Terratone®, Sandtone or Forest Green.

# 400 Series Tilt-Wash (TW) Windows (1992 to Present)

Standard Windows

## Sash

**Sash - Lower / HP Low-E4® Smart Sun / 3.0 / Natural Wood Interior / No Grommets (4/2012 - 2015)**



**Note:**

Available OBD. Specify White, Terratone®, Sandtone or Forest Green.

**Sash - Lower / HP Sun II / 3.0 / Natural Wood Interior / No Grommets (4/2012 - 2015)**



**Note:**

Available OBD. Specify White, Terratone®, Sandtone or Forest Green.

Sash

Sash - Lower/ HP Low-E4® Sun / 3.0 / Prefinished Interior / No Grommets (4/2012 - 2015)



Unit No.		White	Unit No.		White	Unit No.		White
18	TW18210	OBD	26	TW26210	OBD	30	TW30210	9057545
	TW1832	OBD		TW2632	OBD		TW3032	OBD
	TW1836	OBD		TW2636	OBD		TW3036	OBD
	TW18310	9057522		TW26310	OBD		TW30310	OBD
	TW1842	9057523		TW2642	OBD		TW3042	9057548
	TW1846	9057524		TW2646	OBD		TW3046	OBD
	TW1856E	9058003		TW26410	OBD		TW30410	OBD
	TW1856C	OBD		TW2652	OBD		TW3052	OBD
	TW18410	OBD		TW2656E	OBD		TW3056E	9058005
	TW1852	OBD		TW2656C	OBD		TW3056C	9057551
	TW18510	OBD		TW26510	OBD		TW30510	OBD
TW1862	OBD	TW2662	OBD	TW3062	9057552			
20	TW20210	9057525	28	TW28210	9057537	34	TW34210	OBD
	TW2032	9057526		TW2832	9057538		TW3432	9057553
	TW2036	OBD		TW2836	OBD		TW3436	OBD
	TW20310	9057527		TW28310	OBD		TW34310	9057554
	TW2042	OBD		TW2842	9057540		TW3442	OBD
	TW2046	9057528		TW2846	OBD		TW3446	OBD
	TW2056E	OBD		TW28410	OBD		TW34410	OBD
	TW2056C	OBD		TW2852	OBD		TW3452	9057555
	TW20410	OBD		TW2856E	9058006		TW3456E	9058006
	TW2052	9057529		TW2856C	9057543		TW3456C	OBD
	TW20510	OBD		TW28510	OBD		TW34510	OBD
TW2062	9057530	TW2862	9057544	TW3462	OBD			
24	TW24210	OBD	210	TW210210	OBD	38	TW38210	OBD
	TW2432	9057531		TW21032	OBD		TW3832	9057556
	TW2436	OBD		TW21036	OBD		TW3836	OBD
	TW24310	9057532		TW210310	OBD		TW38310	OBD
	TW2442	9057533		TW21042	OBD		TW3842	OBD
	TW2446	9057534		TW21046	OBD		TW3846	9057557
	TW24410	OBD		TW210410	OBD		TW38410	OBD
	TW2452	9057535		TW21052	OBD		TW3852	OBD
	TW2456E	OBD		TW21056E	OBD		TW3856E	9058007
	TW2456C	OBD		TW21056C	OBD		TW3856C	OBD
	TW24510	OBD		TW210510	OBD		TW38510	OBD
TW2462	9057536	TW21062	OBD	TW3862	OBD			

# 400 Series Tilt-Wash (TW) Windows (1992 to Present)

Standard Windows

## Sash

### Sash - Lower / HP Low-E4® Passive Sun / 3.0 / Prefinished Interior / No Grommets (4/2012 - 2015)



**Note:**  
Available OBD. Specify White, Terratone®, Sandtone or Forest Green.

### Sash - Lower / HP Low-E4® Smart Sun / 3.0 / Prefinished Interior / No Grommets (4/2012 - 2015)



**Note:**  
Available OBD. Specify White, Terratone®, Sandtone or Forest Green.

### Sash - Lower / HP Sun II / 3.0 / Prefinished Interior / No Grommets (4/2012 - 2015)



**Note:**  
Available OBD. Specify White, Terratone®, Sandtone or Forest Green.

## Sash

### Sash - Lower / with Grommets

**Note:**

Sash ships with [Service Guide 0005177](#). Sash manufactured from 1992 - 1998 were routed for a lock and require replacement [hardware](#) to be ordered as replacement sash does not include lock.

### Sash - Lower / High-Performance Low-E4® / Natural Wood Interior / With Grommets (1992 - 5/2010)

Unit No.	White	Terratone®	Sandtone	Forest Green	
18	TW18210	1610340	2720241	1144601	0312441
	TW1832	1610341	2720242	1144602	OBD
	TW1836	1610657	OBD	OBD	OBD
	TW18310	1610342	2720243	1144603	0312443
	TW1842	1610343	2720244	1144604	0312444
	TW1846	1610344	2720245	1144605	0312445
	TW18410	1610658	OBD	OBD	OBD
	TW1852	1610345	2720246	1144606	OBD
	TW1856E	1647301	2737117	OBD	OBD
	TW1856C	1610346	2720247	1144607	OBD
	TW18510	1610659	OBD	OBD	OBD
	TW1862	1610347	2720248	1144608	OBD
20	TW20210	1610348	2720249	1144609	0312449
	TW2032	1610349	2720250	1144610	0312450
	TW2036	1610660	OBD	OBD	OBD
	TW20310	1610350	2720251	1144611	0312451
	TW2042	1610351	2720252	1144612	0312452
	TW2046	1610352	2720253	1144613	0312453
	TW20410	1610661	OBD	OBD	OBD
	TW2052	1610353	2720254	1144614	0312454
	TW2056E	1647302	2737118	1108145	0321048
	TW2056C	1610354	2720255	1144615	OBD
	TW20510	1610662	OBD	OBD	OBD
	TW2062	1610355	2720256	1144616	OBD
24	TW24210	1610356	2720257	1144617	0312457
	TW2432	1610357	2720258	1144618	0312458
	TW2436	1610663	2705263	1103263	0315163
	TW24310	1610358	2720259	1144619	0312459
	TW2442	1610359	2720260	1144620	0312460
	TW2446	1610360	2720261	1144621	0312461
	TW24410	1610664	2705264	1103264	0315164
	TW2456E	1647303	2737119	1108146	OBD
	TW2452	1610361	2720262	1144622	0312462
	TW2456C	1610362	2720263	1144623	OBD
	TW24510	1610665	OBD	OBD	OBD
	TW2462	1610363	2720264	1144624	0312464



## 400 Series Tilt-Wash (TW) Windows (1992 to Present)

*Standard Windows*

### Sash

<b>Sash - Lower / High-Performance Low-E4® / Natural Wood Interior / With Grommets (1992 - 5/2010)</b>					
	<b>Unit No.</b>	<b>White</b>	<b>Terratone®</b>	<b>Sandtone</b>	<b>Forest Green</b>
<b>26</b>	TW26210	1610666	OBD	OBD	OBD
	TW2632	1610667	2705267	1103267	0315167
	TW2636	1610668	OBD	OBD	OBD
	TW26310	1610669	2705269	1103269	0315169
	TW2642	1610670	2705270	1103270	0315170
	TW2646	1610671	2705271	1103271	0315171
	TW26410	1610672	2705272	1103272	0315172
	TW2652	1610673	OBD	OBD	OBD
	TW2656E	1647324	OBD	OBD	OBD
	TW2656C	1610674	OBD	OBD	OBD
	TW26510	1610675	OBD	OBD	OBD
TW2662	1610676	OBD	OBD	OBD	
<b>28</b>	TW28210	1610364	2720265	1144625	0312465
	TW2832	1610365	2720266	1144626	0312466
	TW2836	1610677	2705277	1103277	0315177
	TW28310	1610366	2720267	1144627	0312467
	TW2842	1610367	2720268	1144628	0312468
	TW2846	1610368	2720269	1144629	0312469
	TW28410	1610678	2705278	1103278	0315178
	TW2852	1610369	2720270	1144630	0312470
	TW2856E	1647304	2737120	1108147	OBD
	TW2856C	1610370	2720271	1144631	0312471
	TW28510	1610679	OBD	OBD	OBD
TW2862	1610371	2720272	1144632	OBD	
<b>210</b>	TW210210	1610680	2705280	1103280	0315180
	TW21032	1610681	2705281	1103281	0315181
	TW21036	1610682	2705282	1103282	0315182
	TW210310	1610683	2705283	1103283	0315183
	TW21042	1610684	2705284	1103284	0315184
	TW21046	1610685	2705285	1103285	0315185
	TW210410	1610686	OBD	OBD	OBD
	TW21052	1610687	2705287	1103287	0315187
	TW21056E	1647325	OBD	OBD	OBD
	TW21056C	1610688	OBD	OBD	OBD
	TW210510	1610689	OBD	OBD	OBD
TW21062	1610690	OBD	OBD	OBD	

## Sash

<b>Sash - Lower / High-Performance Low-E4® / Natural Wood Interior / With Grommets (1992 - 5/2010)</b>					
	<b>Unit No.</b>	<b>White</b>	<b>Terratone®</b>	<b>Sandtone</b>	<b>Forest Green</b>
<b>30</b>	TW30210	1610372	2720273	1144633	0312473
	TW3032	1610373	2720274	1144634	0312474
	TW3036	1610691	OBD	OBD	OBD
	TW30310	1610374	2720275	1144635	0312475
	TW3042	1610375	2720276	1144636	0312476
	TW3046	1610376	2720277	1144637	0312477
	TW30410	1610692	2705292	1103292	0315192
	TW3052	1610377	2720278	1144638	0312478
	TW3056E	1647305	2737121	1108148	OBD
	TW3056C	1610378	2720279	1144639	0312479
	TW30510	1610693	OBD	OBD	OBD
TW3062	1610379	2720280	1144640	0312480	
<b>34</b>	TW34210	1610380	2720281	1144641	OBD
	TW3432	1610381	2720282	1144642	OBD
	TW3436	1610694	OBD	OBD	OBD
	TW34310	1610382	2720283	1144643	OBD
	TW3442	1610383	2720284	1144644	0312484
	TW3446	1610384	2720285	1144645	0312485
	TW34410	1610695	OBD	OBD	OBD
	TW3452	1610385	2720286	1144646	0312486
	TW3456E	1647306	2737122	1108149	OBD
	TW3456C	1610386	2720287	1144647	0312487
	TW34510	1610696	OBD	OBD	OBD
TW3462	1610387	2720288	1144648	0312488	
<b>38</b>	TW38210	1610388	2720289	1144649	0312489
	TW3832	1610389	2720290	1144650	0312490
	TW3836	1610697	OBD	OBD	OBD
	TW38310	1610390	2720291	1144651	0312491
	TW3842	1610391	2720292	1144652	0312492
	TW3846	1610392	2720293	1144653	OBD
	TW38410	1610698	OBD	OBD	OBD
	TW3852	1610393	2720294	1144654	0312494
	TW3856E	1647307	2737123	1108150	OBD
	TW3856C	1610394	2720295	1144655	OBD
	TW38510	1610699	OBD	OBD	OBD
TW3862	1610395	2720296	1144656	OBD	

# 400 Series Tilt-Wash (TW) Windows (1992 to Present)

Standard Windows

## Sash

Sash - Lower / High-Performance Low-E4® / Prefinished Interior / With Grommets (1992 - 5/2010)								
	Unit No.	White		Unit No.	White			
<b>18</b>	TW18210	1610401	<b>26</b>	TW26210	1610466	<b>30</b>	TW30210	1610433
	TW1832	1610402		TW2632	1610467		TW3032	1610434
	TW1836	1610457		TW2636	1610468		TW3036	1610491
	TW18310	1610403		TW26310	1610469		TW30310	1610435
	TW1842	1610404		TW2642	1610470		TW3042	1610436
	TW1846	1610405		TW2646	1610471		TW3046	1610437
	TW18410	1610458		TW26410	1610472		TW30410	1610492
	TW1852	1610406		TW2652	1610473		TW3052	1610438
	TW1856E	1647308		TW2656E	1647315		TW3056E	1647312
	TW1856C	1610407		TW2656C	1610474		TW3056C	1610439
	TW18510	1610459		TW26510	1610475		TW30510	1610493
	TW1862	1610408		TW2662	1610476		TW3062	1610440
<b>20</b>	TW20210	1610409	<b>28</b>	TW28210	1610425	<b>34</b>	TW34210	1610441
	TW2032	1610410		TW2832	1610426		TW3432	1610442
	TW2036	1610460		TW2836	1610477		TW3436	1610494
	TW20310	1610411		TW28310	1610427		TW34310	1610443
	TW2042	1610412		TW2842	1610428		TW3442	1610444
	TW2046	1610413		TW2846	1610429		TW3446	1610445
	TW20410	1610461		TW28410	1610478		TW34410	1610495
	TW2052	1610414		TW2852	1610430		TW3452	1610446
	TW2056E	1647309		TW2856E	1647311		TW3456E	1647313
	TW2056C	1610415		TW2856C	1610431		TW3456C	1610447
	TW20510	1610462		TW28510	1610479		TW34510	1610496
	TW2062	1610416		TW2862	1610432		TW3462	1610448
<b>24</b>	TW24210	1610417	<b>210</b>	TW210210	1610480	<b>38</b>	TW38210	1610449
	TW2432	1610418		TW21032	1610481		TW3832	1610450
	TW2436	1610463		TW21036	1610482		TW3836	1610497
	TW24310	1610419		TW210310	1610483		TW38310	1610451
	TW2442	1610420		TW21042	1610484		TW3842	1610452
	TW2446	1610421		TW21046	1610485		TW3846	1610453
	TW24410	1610464		TW210410	1610486		TW38410	1610498
	TW2452	1610422		TW21052	1610487		TW3852	1610454
	TW2456E	1647310		TW21056E	1647316		TW3856E	1647314
	TW2456C	1610423		TW21056C	1610488		TW3856C	1610455
	TW24510	1610465		TW210510	1610489		TW38510	1610499
	TW2462	1610424		TW21062	1610490		TW3862	1610456

## Sash

<b>Sash - Lower / High-Performance Low-E4® Sun 3 / Natural Wood Interior / With Grommets (1992 - 5/2010)</b>				
<b>Note:</b> Available OBD in Forest Green.				
	<b>Unit No.</b>	<b>White</b>	<b>Terratone®</b>	<b>Sandtone</b>
<b>18</b>	TW18210	1610801	OBD	OBD
	TW1832	OBD	OBD	OBD
	TW1836	OBD	OBD	OBD
	TW18310	1610803	2720443	OBD
	TW1842	1610804	OBD	OBD
	TW1846	1610805	OBD	OBD
	TW18410	OBD	OBD	OBD
	TW1852	OBD	OBD	OBD
	TW1856E	1647326	OBD	OBD
	TW1856C	OBD	OBD	OBD
	TW18510	OBD	OBD	OBD
TW1862	OBD	OBD	OBD	
<b>20</b>	TW20210	OBD	OBD	OBD
	TW2032	1610810	OBD	1144710
	TW2036	OBD	OBD	OBD
	TW20310	1610811	OBD	1144711
	TW2042	1610812	2720452	1144712
	TW2046	1610813	2720453	1144713
	TW20410	OBD	OBD	OBD
	TW2052	1610814	2720454	OBD
	TW2056E	OBD	OBD	OBD
	TW2056C	1610815	OBD	OBD
	TW20510	OBD	OBD	OBD
TW2062	OBD	OBD	1144716	
<b>24</b>	TW24210	1610817	OBD	1144717
	TW2432	1610818	OBD	OBD
	TW2436	OBD	OBD	OBD
	TW24310	1610819	2720459	1144719
	TW2442	1610820	2720460	OBD
	TW2446	1610821	2720461	1144721
	TW24410	OBD	OBD	OBD
	TW2452	1610822	2720462	OBD
	TW2456E	OBD	OBD	1108153
	TW2456C	1610823	OBD	OBD
	TW24510	OBD	OBD	OBD
TW2462	1610824	2720464	OBD	

# 400 Series Tilt-Wash (TW) Windows (1992 to Present)

Standard Windows

## Sash

<b>Sash - Lower / High-Performance Low-E4® Sun 3 / Natural Wood Interior / With Grommets (1992 - 5/2010)</b>				
<b>Note:</b> Available OBD in Forest Green.				
	Unit No.	White	Terratone®	Sandtone
<b>26</b>	TW26210	OBD	OBD	OBD
	TW2632	OBD	OBD	OBD
	TW2636	OBD	OBD	OBD
	TW26310	OBD	OBD	OBD
	TW2642	OBD	OBD	OBD
	TW2646	OBD	OBD	OBD
	TW26410	OBD	OBD	OBD
	TW2652	OBD	OBD	OBD
	TW2656C	OBD	OBD	OBD
	TW26510	OBD	OBD	OBD
	TW2662	OBD	OBD	OBD
<b>28</b>	TW28210	1610825	2720465	OBD
	TW2832	1610826	OBD	OBD
	TW2836	OBD	OBD	OBD
	TW28310	1610827	2720467	OBD
	TW2842	1610828	OBD	1144728
	TW2846	1610829	2720469	1144729
	TW28410	OBD	OBD	OBD
	TW2852	1610830	OBD	1144730
	TW2856E	1647329	OBD	1108154
	TW2856C	1610831	2720471	1144731
	TW28510	OBD	OBD	OBD
	TW2862	1610832	OBD	1144732
<b>210</b>	TW210210	OBD	OBD	OBD
	TW21032	OBD	OBD	OBD
	TW21036	OBD	OBD	OBD
	TW210310	OBD	OBD	OBD
	TW21042	OBD	OBD	OBD
	TW21046	OBD	OBD	OBD
	TW210410	OBD	OBD	OBD
	TW21052	OBD	OBD	OBD
	TW21056C	OBD	OBD	OBD
	TW210510	OBD	OBD	OBD
	TW21062	OBD	OBD	OBD

## Sash

<b>Sash - Lower / High-Performance Low-E4® Sun 3 / Natural Wood Interior / With Grommets (1992 - 5/2010)</b>				
<b>Note:</b> Available OBD in Forest Green.				
	<b>Unit No.</b>	<b>White</b>	<b>Terratone®</b>	<b>Sandtone</b>
<b>30</b>	TW30210	1610833	OBD	OBD
	TW3032	1610834	2720474	OBD
	TW3036	OBD	OBD	OBD
	TW30310	1610835	2720475	OBD
	TW3042	1610836	2720476	1144736
	TW3046	1610837	2720477	1144737
	TW30410	OBD	OBD	OBD
	TW3052	1610838	OBD	1144738
	TW3056E	1647330	OBD	OBD
	TW3056C	1610839	2720479	1144739
	TW30510	OBD	OBD	OBD
	TW3062	1610840	2720480	1144740
<b>34</b>	TW34210	OBD	OBD	OBD
	TW3432	1610842	OBD	OBD
	TW3436	OBD	OBD	OBD
	TW34310	OBD	OBD	OBD
	TW3442	OBD	OBD	OBD
	TW3446	1610845	2720485	1144745
	TW34410	OBD	OBD	OBD
	TW3452	1610846	OBD	1144746
	TW3456E	OBD	OBD	OBD
	TW3456C	1610847	OBD	OBD
	TW34510	OBD	OBD	OBD
	TW3462	1610848	OBD	OBD
<b>38</b>	TW38210	OBD	OBD	1144749
	TW3832	OBD	2720490	1144750
	TW3836	OBD	OBD	OBD
	TW38310	1610851	2720491	OBD
	TW3842	OBD	OBD	OBD
	TW3846	1610853	2720493	1144753
	TW38410	OBD	OBD	OBD
	TW3852	1610854	OBD	OBD
	TW3856E	OBD	OBD	OBD
	TW3856C	1610855	OBD	OBD
	TW38510	OBD	OBD	OBD
	TW3862	1610856	OBD	OBD

# 400 Series Tilt-Wash (TW) Windows (1992 to Present)

Standard Windows

## Sash

<b>Sash - Lower / High-Performance Low-E4® Sun 3 / Prefinished Interior / With Grommets (1992 - 5/2010)</b>								
Unit No.		White	Unit No.		White	Unit No.		White
<b>18</b>	TW18210	OBD	<b>26</b>	TW26210	OBD	<b>30</b>	TW30210	1610933
	TW1832	OBD		TW2632	OBD		TW3032	1610934
	TW1836	OBD		TW2636	OBD		TW3036	OBD
	TW18310	1610903		TW26310	OBD		TW30310	1610935
	TW1842	1610904		TW2642	OBD		TW3042	1610936
	TW1846	1610405		TW2646	OBD		TW3046	1610937
	TW18410	OBD		TW26410	OBD		TW30410	OBD
	TW1852	OBD		TW2652	OBD		TW3052	1610938
	TW1856E	OBD		TW2656E	OBD		TW3056E	OBD
	TW1856C	OBD		TW2656C	OBD		TW3056C	1610939
	TW18510	OBD		TW26510	OBD		TW30510	OBD
	TW1862	OBD		TW2662	OBD		TW3062	1610940
<b>20</b>	TW20210	1610909	<b>28</b>	TW28210	1610925	<b>34</b>	TW34210	OBD
	TW2032	1610910		TW2832	1610926		TW3432	1610942
	TW2036	OBD		TW2836	OBD		TW3436	OBD
	TW20310	1610911		TW28310	1610927		TW34310	1610943
	TW2042	OBD		TW2842	1610928		TW3442	OBD
	TW2046	1610913		TW2846	1610929		TW3446	OBD
	TW20410	OBD		TW28410	OBD		TW34410	OBD
	TW2052	1610914		TW2852	1610930		TW3452	1610946
	TW2056E	OBD		TW2856E	1647336		TW3456E	OBD
	TW2056C	OBD		TW2856C	1610931		TW3456C	OBD
	TW20510	OBD		TW28510	OBD		TW34510	OBD
	TW2062	1610916		TW2862	1610932		TW3462	OBD
<b>24</b>	TW24210	OBD	<b>210</b>	TW210210	OBD	<b>38</b>	TW38210	OBD
	TW2432	1610918		TW21032	OBD		TW3832	1610950
	TW2436	OBD		TW21036	OBD		TW3836	OBD
	TW24310	1610919		TW210310	OBD		TW38310	OBD
	TW2442	1610920		TW21042	OBD		TW3842	OBD
	TW2446	1610921		TW21046	OBD		TW3846	1610953
	TW24410	OBD		TW210410	OBD		TW38410	OBD
	TW2452	1610922		TW21052	OBD		TW3852	OBD
	TW2456E	OBD		TW21056E	1647325		TW3856E	1647339
	TW2456C	OBD		TW21056C	OBD		TW3856C	OBD
	TW24510	OBD		TW210510	OBD		TW38510	OBD
	TW2462	1610924		TW21062	OBD		TW3862	OBD

**Sash - Lower / High-Performance Sun II / Natural Wood Interior / With Grommets (1992 - 5/2010)**

**Note:**

Available OBD. Specify White, Terratone®, Sandtone, or Forest Green.

## Sash

---

**Sash - Lower / High-Performance Sun II / Prefinished Interior / With Grommets** (1992 - 5/2010)**Note:**

Available OBD in White.

**Sash - Lower / HP Low-E4® Finelight / Prefinished Interior / With Grommets** (1992 - 5/2010)**Note:**

Available OBD in White.



# 400 Series Tilt-Wash (TW) Windows (1992 to Present)

Standard Windows

## Sash

<b>Sash - Lower / HP Low-E4® Finelight / Natural Wood Interior / With Grommets (1992 - 5/2010)</b>								
<b>Note:</b> Available OBD in Terratone®, Sandtone, and Forest Green.								
	Unit No.	White		Unit No.	White		Unit No.	White
<b>18</b>	TW18210	1614901	<b>26</b>	TW26210	1615121	<b>30</b>	TW30210	1614933
	TW1832	1614902		TW2632	1615122		TW3032	1614934
	TW1836	1615101		TW2636	1615123		TW3036	1615135
	TW18310	1614903		TW26310	1615124		TW30310	1614935
	TW1842	1614904		TW2642	1615125		TW3042	1614936
	TW1846	1614905		TW2646	1615126		TW3046	1614937
	TW18410	1615102		TW26410	1615127		TW30410	1615136
	TW1852	1614906		TW2652	1615128		TW3052	1614938
	TW1856E	1647354		TW2656E	1647362		TW3056E	1647358
	TW1856C	1614907		TW2656C	1615129		TW3056C	1614939
	TW18510	1615103		TW26510	1615130		TW30510	1615137
	TW1862	1614908		TW2662	1615131		TW3062	1614940
<b>20</b>	TW20210	1614909	<b>28</b>	TW28210	1614925	<b>34</b>	TW34210	1614941
	TW2032	1614910		TW2832	1614926		TW3432	1614942
	TW2036	1615104		TW2836	1615132		TW3436	OBD
	TW20310	1614911		TW28310	1614927		TW34310	1614943
	TW2042	1614912		TW2842	1614928		TW3442	1614944
	TW2046	1614913		TW2846	1614929		TW3446	1614945
	TW20410	1615105		TW28410	1615133		TW34410	1615139
	TW2052	1614914		TW2852	1614930		TW3452	1614946
	TW2056E	1647355		TW2856E	1647357		TW3456E	1647359
	TW2056C	1614915		TW2856C	1614931		TW3456C	1614947
	TW20510	OBD		TW28510	1615134		TW34510	1615140
	TW2062	1614916		TW2862	1614932		TW3462	1614948
<b>24</b>	TW24210	1614917	<b>210</b>	TW210210	1615107	<b>38</b>	TW38210	OBD
	TW2432	1614918		TW21032	1615108		TW3832	1614950
	TW2436	1615118		TW21036	1615109		TW3836	1615141
	TW24310	1614919		TW210310	1615110		TW38310	1614951
	TW2442	1614920		TW21042	1615111		TW3842	OBD
	TW2446	1614921		TW21046	1615112		TW3846	1614953
	TW24410	1615119		TW210410	1615113		TW38410	1615142
	TW2452	1614922		TW21052	1615114		TW3852	1614954
	TW2456E	1647356		TW21056E	1647361		TW3856E	1647360
	TW2456C	1614923		TW21056C	1615115		TW3856C	1614955
	TW24510	1615120		TW210510	1615116		TW38510	1615143
	TW2462	1614924		TW21062	1615117		TW3862	1614956

## Sash

<b>Sash - Lower / High-Performance Low-E4® Tempered / With Grommets (1992 - 5/2010)</b>				
<b>Note:</b> Available OBD in Forest Green.				
	<b>Unit No.</b>	<b>White</b>	<b>Terratone®</b>	<b>Sandtone</b>
<b>18</b>	TW18210	1610601	OBD	OBD
	TW1832	1610602	OBD	OBD
	TW1836	1610401	OBD	OBD
	TW18310	1610603	OBD	OBD
	TW1842	1610604	2719244	1144804
	TW1846	1610605	2719245	1144805
	TW18410	1620402	OBD	OBD
	TW1852	1610606	OBD	OBD
	TW1856E	1647317	OBD	OBD
	TW1856C	1610607	OBD	OBD
	TW18510	1620403	OBD	OBD
	TW1862	1610608	OBD	OBD
<b>20</b>	TW20210	1610609	2719249	1144809
	TW2032	1610610	2719250	1144810
	TW2036	1620404	OBD	OBD
	TW20310	1610611	2719251	1144811
	TW2042	1610612	2719252	1144812
	TW2046	1610613	2719253	1144813
	TW20410	1620405	OBD	OBD
	TW2052	1610614	2719254	1144814
	TW2056E	1647318	OBD	OBD
	TW2056C	1610615	OBD	OBD
	TW20510	1620406	OBD	OBD
	TW2062	1610616	2719256	1144816
<b>24</b>	TW24210	1610617	OBD	OBD
	TW2432	1610618	2719258	1144818
	TW2436	1620418	OBD	OBD
	TW24310	1610619	2719259	1144819
	TW2442	1610620	2719260	1144820
	TW2446	1610621	2719261	1144821
	TW24410	1620419	OBD	OBD
	TW2452	1610622	2719262	1144822
	TW2456E	1647319	OBD	OBD
	TW2456C	1610623	OBD	OBD
	TW24510	1620420	OBD	OBD
	TW2462	1610624	OBD	OBD

# 400 Series Tilt-Wash (TW) Windows (1992 to Present)

Standard Windows

## Sash

<b>Sash - Lower / High-Performance Low-E4® Tempered / With Grommets (1992 - 5/2010)</b>				
<b>Note:</b> Available OBD in Forest Green.				
	Unit No.	White	Terratone®	Sandtone
<b>26</b>	TW26210	1620421	OBD	OBD
	TW2632	1620422	OBD	OBD
	TW2636	1620423	OBD	OBD
	TW26310	1620424	OBD	OBD
	TW2642	1620425	OBD	OBD
	TW2646	1620426	OBD	OBD
	TW26410	1620427	OBD	OBD
	TW2652	1620428	OBD	OBD
	TW2656E	1647420	OBD	OBD
	TW2656C	1620429	OBD	OBD
	TW26510	1620430	OBD	OBD
	TW2662	1620431	OBD	OBD
<b>28</b>	TW28210	1610625	2719265	1144825
	TW2832	1610626	2719266	1144826
	TW2836	1620432	OBD	OBD
	TW28310	1610627	2719267	1144827
	TW2842	1610628	2719268	1144828
	TW2846	1610629	2719269	1144829
	TW28410	1620433	OBD	OBD
	TW2852	1610630	2719270	1144830
	TW2856E	1647320	27371008	1108158
	TW2856C	1610631	2719271	1144831
	TW28510	1620434	OBD	OBD
	TW2862	1610632	2719272	1144832
<b>210</b>	TW210210	1620407	OBD	OBD
	TW21032	1620408	OBD	OBD
	TW21036	1620409	OBD	OBD
	TW210310	1620410	OBD	OBD
	TW21042	1620411	OBD	OBD
	TW21046	1620412	OBD	OBD
	TW210410	1620413	OBD	OBD
	TW21052	1620414	OBD	OBD
	TW21056E	1647419	OBD	OBD
	TW21056C	1620415	OBD	OBD
	TW210510	1620416	OBD	OBD
	TW21062	1620417	OBD	OBD

## Sash

<b>Sash - Lower / High-Performance Low-E4® Tempered / With Grommets (1992 - 5/2010)</b>				
<b>Note:</b> Available OBD in Forest Green.				
	<b>Unit No.</b>	<b>White</b>	<b>Terratone®</b>	<b>Sandtone</b>
<b>30</b>	<b>TW30210</b>	1610633	2719273	1144833
	<b>TW3032</b>	1610634	2719274	1144834
	<b>TW3036</b>	1620435	OBD	OBD
	<b>TW30310</b>	1610635	2719275	1144835
	<b>TW3042</b>	1610636	2719276	1144836
	<b>TW3046</b>	1610637	2719277	1144837
	<b>TW30410</b>	1620436	OBD	OBD
	<b>TW3052</b>	1610638	2719278	1144838
	<b>TW3056E</b>	1647321	2737109	1108159
	<b>TW3056C</b>	1610639	2719279	1144839
	<b>TW30510</b>	1620437	OBD	OBD
	<b>TW3062</b>	1610640	2719280	1144840
<b>34</b>	<b>TW34210</b>	1610641	OBD	OBD
	<b>TW3432</b>	1610642	OBD	OBD
	<b>TW3436</b>	1620438	OBD	OBD
	<b>TW34310</b>	1610643	2719283	1144843
	<b>TW3442</b>	1610644	2719284	1144844
	<b>TW3446</b>	1610645	2719285	1144845
	<b>TW34410</b>	1620439	OBD	OBD
	<b>TW3452</b>	1610646	2719286	1144846
	<b>TW3456E</b>	1647322	OBD	OBD
	<b>TW3456C</b>	1610647	OBD	OBD
	<b>TW34510</b>	1620440	OBD	OBD
	<b>TW3462</b>	1610648	OBD	OBD
<b>38</b>	<b>TW38210</b>	1610649	OBD	OBD
	<b>TW3832</b>	1610650	OBD	OBD
	<b>TW3836</b>	1620441	OBD	OBD
	<b>TW38310</b>	1610651	OBD	OBD
	<b>TW3842</b>	1610652	OBD	OBD
	<b>TW3846</b>	1610653	2719293	1144853
	<b>TW38410</b>	1620442	OBD	OBD
	<b>TW3852</b>	1610654	OBD	OBD
	<b>TW3856E</b>	1647323	OBD	OBD
	<b>TW3856C</b>	1610655	OBD	OBD
	<b>TW38510</b>	1620443	OBD	OBD
	<b>TW3862</b>	1610656	OBD	OBD

# 400 Series Tilt-Wash (TW) Windows (1992 to Present)

Standard Windows

## Sash

Sash - Lower / High-Performance Low-E4® Tempered / Prefinished Interior / With Grommets (1992 - 5/2010)								
	Unit No.	White		Unit No.	White			
<b>18</b>	TW18210	1612744	<b>26</b>	TW26210	OBD	<b>30</b>	TW30210	1612776
	TW1832	1612745		TW2632	1621022		TW3032	1612777
	TW1836	1621001		TW2636	1621023		TW3036	OBD
	TW18310	1612746		TW26310	1621024		TW30310	1612778
	TW1842	1612747		TW2642	1621025		TW3042	1612779
	TW1846	1612748		TW2646	1621026		TW3046	1612780
	TW18410	OBD		TW26410	1621027		TW30410	1621036
	TW1852	1612749		TW2652	1621028		TW3052	1612781
	TW1856E	1647347		TW2656E	1647424		TW3056E	1647351
	TW1856C	1612750		TW2656C	1621029		TW3056C	1612782
	TW18510	OBD		TW26510	1621030		TW30510	1621037
	TW1862	1612751		TW2662	OBD		TW3062	1612783
<b>20</b>	TW20210	1612752	<b>28</b>	TW28210	1612768	<b>34</b>	TW34210	OBD
	TW2032	1612753		TW2832	1612769		TW3432	1612785
	TW2036	1621004		TW2836	1621032		TW3436	OBD
	TW20310	1612754		TW28310	1612770		TW34310	OBD
	TW2042	1612755		TW2842	1612771		TW3442	1612787
	TW2046	1612756		TW2846	1612772		TW3446	1612788
	TW20410	1621005		TW28410	1621033		TW34410	1621039
	TW2052	1612757		TW2852	1612773		TW3452	1612789
	TW2056E	1647348		TW2856E	1647350		TW3456E	1647352
	TW2056C	1612758		TW2856C	1612774		TW3456C	OBD
	TW20510	1621006		TW28510	1621034		TW34510	1621040
	TW2062	1612759		TW2862	1612775		TW3462	1612791
<b>24</b>	TW24210	1612760	<b>210</b>	TW210210	1621007	<b>38</b>	TW38210	OBD
	TW2432	1612761		TW21032	OBD		TW3832	OBD
	TW2436	1621018		TW21036	1621009		TW3836	1621041
	TW24310	1612762		TW210310	1621010		TW38310	1612794
	TW2442	1612763		TW21042	1621011		TW3842	1612795
	TW2446	1612764		TW21046	1621012		TW3846	1612796
	TW24410	1621019		TW210410	1621013		TW38410	1621042
	TW2452	1612765		TW21052	1621014		TW3852	1612797
	TW2456E	1647349		TW21056E	1647423		TW3856E	1647353
	TW2456C	1612766		TW21056C	1621015		TW3856C	OBD
	TW24510	1621020		TW210510	1621016		TW38510	1621043
	TW2462	1612767		TW21062	OBD		TW3862	1612799

## Sash

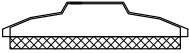

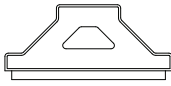
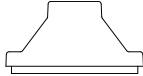
### Sash - Lower / Permanently Applied Grilles

#### Sash - Lower / Permanently Applied Grilles

**Note:**

Sash available with LDN (Low definition) and HDN (High definition) grilles permanently applied to the interior and/or exterior. Specify profile, pattern and exterior color for exterior grille and profile, pattern and interior finish for interior grille along with size, glazing, sash grommet detail (with grommets or without grommets) and glazing bead type. See [Dealer Bulletins 69-16](#) and [61-17](#) for additional details when ordering replacement sash with HDN grilles applied that were manufactured prior to 9/25/2017 as glazing bead used can be unique. LDN was only available on 5/8" glass. Sash ships with [Service Guide 0005177](#).

#### Grille Type

1996 - 2005	1990 - 1998	6/2002 - current	
LDN Ribbed	LDN Flat	HDN	
Exterior	Exterior	Exterior	Interior
			

#### Grille Options

Profile	Pattern	Exterior Color	Interior Finish
3/4	Colonial	White	White
7/8	Prairie A	Sandtone	Sandtone
1 1/8	Specified Equal Lite	Terratone®	Terratone®
		Forest Green	Forest Green
			Natural Wood

#### Sash - Lower / HDN Glazing Bead with no HDN grilles applied

**Note:**

**Units** with HDN (High definition) grilles permanently applied to the interior and/or exterior may have an upper or lower **sash** that does **not** have HDN grilles. These sash will use HDN glazing bead to match the bead in both the upper and lower sash, even though the sash does **not** have HDN grilles applied.

Available OBD. Specify White, Terratone®, Sandtone or Forest Green.

# 400 Series Tilt-Wash (TW) Windows (1992 to Present)

Standard Windows

Sash

## Weatherstrip

**Note:**

See [Weatherstrip Replacement Video](#) (vintage top/bottom rail weatherstrip shown).

**Weatherstrip - Top and Bottom Rail** (10/2019 - Present) [Ref. No. 1 page 19](#) & [Ref. No. 3 page 84](#)

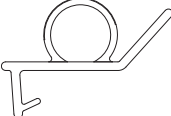
**Note:**

Cut to size. Replaces previous vintages of top/bottom rail weatherstrip.


Adhere with 1/8" bead of [Andersen Installation Sealant](#). See [Service Guide 9183983](#).

		<b>Unit No.</b>	<b>Dimensions</b>	<b>Black</b>
		<b>TW38</b>	42 <sup>9</sup> / <sub>32</sub>	9208179

## Weatherstrip - HDN / Upper Check Rail [Ref. No. 3 page 19](#)

		<b>Unit No.</b>	<b>Dimensions</b>	<b>Order No.</b>
		<b>TW18</b>	18 <sup>9</sup> / <sub>32</sub>	1631836
		<b>TW20</b>	22 <sup>9</sup> / <sub>32</sub>	1631837
		<b>TW24</b>	26 <sup>9</sup> / <sub>32</sub>	1631838
		<b>TW26</b>	28 <sup>9</sup> / <sub>32</sub>	1631843
		<b>TW28</b>	30 <sup>9</sup> / <sub>32</sub>	1631839
		<b>TW210</b>	32 <sup>9</sup> / <sub>32</sub>	1631844
		<b>TW30</b>	34 <sup>9</sup> / <sub>32</sub>	1631840
		<b>TW34</b>	38 <sup>9</sup> / <sub>32</sub>	1631841
	<b>TW38</b>	42 <sup>9</sup> / <sub>32</sub>	1631842	

## Sash

Weatherstrip - Side / Stile <a href="#">Ref. No. 2 page 19</a> & <a href="#">page 84</a>				
	<p><b>Note:</b> Ships as a quantity of one. The 310 and 46 height sizes are unique in length with two separate part numbers for the weatherstrip used on upper and lower sash. Other height sizes to be used with upper <b>and</b> lower sash. See <a href="#">Dealer Bulletin 61-16</a> for more details.</p>	Unit No.	Dimensions	Order No.
		<b>TW210</b>	<b>16</b> <sup>15</sup> / <sub>16</sub>	1631540
		<b>TW32</b>	<b>18</b> <sup>15</sup> / <sub>16</sub>	1631541
		<b>TW36</b>	<b>20</b> <sup>15</sup> / <sub>16</sub>	1631560
		<b>TW310 Lower</b> <i>(9/2017 - Present)</i>	<b>22</b> <sup>7</sup> / <sub>16</sub>	9168695
		<b>TW310</b> <i>(1996 - 8/2017)</i>	<b>22</b> <sup>15</sup> / <sub>16</sub>	1631542
		<b>TW310 Upper</b> <i>(9/2017 - Present)</i>	<b>23</b> <sup>7</sup> / <sub>16</sub>	9168694
		<b>TW42</b>	<b>24</b> <sup>15</sup> / <sub>16</sub>	1631543
		<b>TW46 Lower</b> <i>(4/2017 - Present)</i>	<b>26</b> <sup>7</sup> / <sub>16</sub>	9162508
		<b>TW46</b> <i>(1996 - 3/2017)</i>	<b>26</b> <sup>15</sup> / <sub>16</sub>	1631544
		<b>TW46 Upper</b> <i>(4/2017 - Present)</i>	<b>27</b> <sup>7</sup> / <sub>16</sub>	9161583
		<b>TW410</b>	<b>28</b> <sup>15</sup> / <sub>16</sub>	1631561
		<b>TW52</b>	<b>30</b> <sup>15</sup> / <sub>16</sub>	1631545
		<b>TW56E</b>	<b>32</b> <sup>15</sup> / <sub>16</sub>	1631563
		<b>TW510</b>	<b>34</b> <sup>15</sup> / <sub>16</sub>	1631562
		<b>TW62</b>	<b>36</b> <sup>15</sup> / <sub>16</sub>	1631547
		<b>TW56C Lower</b> <i>(4/2017 - Present)</i>	<b>38</b> <sup>7</sup> / <sub>16</sub>	9162509
		<b>TW56C</b>	<b>38</b> <sup>15</sup> / <sub>16</sub>	1631546
		<b>TW56RC Upper</b> <i>(4/2017 - Present)</i>	<b>39</b> <sup>7</sup> / <sub>16</sub>	9161584
		<b>TW72</b>	<b>40</b> <sup>15</sup> / <sub>16</sub>	3870166
<b>TW76</b>	<b>44</b> <sup>15</sup> / <sub>16</sub>	3870167		
<b>72 in</b>	<b>72</b> <sup>15</sup> / <sub>16</sub>	1631514		



# 400 Series Tilt-Wash (TW) Windows (1992 to Present)

Standard Windows

## Sash

### Glazing Beads - High Performance / 5/8"

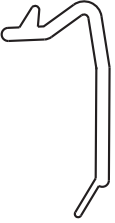
**Note:**

Glazing bead unit numbers/sizes not listed are available OBD. See [Replacement Video](#) and Service Sharepoint site for additional information.

### Glazing Bead - High-Performance / 5/8" / Top Rail

**Note:**

Use on upper sash top rail.




Unit No.	Size	White	Terra-tone®	Sand-tone	Forest Green	Canvas	Dark Bronze	Black
TW18	16 21/32	1650120	2732520	1152075	0313120	9033967	9073925	9127145
TW20	20 21/32	1650121	2732521	1152076	0313121	9033968	9073926	9127146
TW24	24 21/32	1650122	2732522	1152077	0313122	9033969	9073927	9127147
TW26	26 21/32	1650127	2732527	1152128	0313127	9033970	9073928	9127148
TW28	28 21/32	1650123	2732523	1152078	0313123	9033971	9073929	9127149
TW210	30 21/32	1650128	2732528	1152129	0313128	9033972	9073930	9127150
TW30	32 21/32	1650124	2732524	1152079	0313124	9033973	9073931	9127151
TW34	36 21/32	1650125	2732525	1152080	0313125	9033974	9073932	9127152
TW38	40 21/32	1650126	2732526	1152081	0313126	9033975	9073933	9127153

### Glazing Bead - High-Performance / 5/8" / Upper Check / Bottom Rail [Ref. No. 13 page 84](#)

**Note:**

Use on upper sash check rail and lower sash bottom rail.



Unit No.	Size	White	Terra-tone®	Sand-tone	Forest Green	Canvas	Dark Bronze	Black
TW18	16 21/32	1650130	2732530	1152082	0313130	9033976	9073934	9127154
TW20	20 21/32	1650131	2732531	1152083	0313131	9033977	9073935	9127155
TW24	24 21/32	1650132	2732532	1152084	0313132	9033978	9073936	9127156
TW26	26 21/32	1650137	2732529	1152145	0313129	9033979	9073937	9127157
TW28	28 21/32	1650133	2732533	1152085	0313133	9033980	9073938	9127158
TW210	30 21/32	1650138	2732537	1152146	0313137	9033981	9073939	9127159
TW30	32 21/32	1650134	2732534	1152086	0313134	9033982	9073940	9127160
TW34	36 21/32	1650135	2732535	1152087	0313135	9033983	9073941	9127161
TW38	40 21/32	1650136	2732536	1152088	0313136	9033984	9073942	9127162

## Sash

Glazing Bead - High-Performance / 5/8" / Lower Check Rail <a href="#">Ref. No. 12 page 84</a>									
Note: Use on lower sash check rail.	Unit No.	Size	White	Terra-tone®	Sand-tone	Forest Green	Canvas	Dark	
								Bronze	Black
	TW18	16 21/32	1650140	2732540	1152089	0313140	9033946	9073904	9127124
	TW20	20 21/32	1650141	2732541	1152090	0313141	9033947	9073905	9127125
	TW24	24 21/32	1650142	2732542	1152091	0313142	9033948	9073906	9127126
	TW26	26 21/32	1650139	2732538	1152096	0313138	9033949	9073907	9127127
	TW28	28 21/32	1650143	2732543	1152092	0313143	9033950	9073908	9127128
	TW210	30 21/32	1650147	2732539	1152097	0313139	9033951	9073909	9127129
	TW30	32 21/32	1650144	2732544	1152093	0313144	9033952	9073910	9127130
	TW34	36 21/32	1650145	2732545	1152094	0313145	9033953	9073911	9127131
	TW38	40 21/32	1650146	2732546	1152095	0313146	9033954	9073912	9127132

Glazing Bead - High-Performance / 5/8" / Stile <a href="#">Ref. No. 11 page 19</a> & <a href="#">Ref. No. 15 page 84</a>									
Note: Use on all stiles. The 310 and 46 height sizes are unique in length with two separate part numbers for the glazing bead used on upper and lower sash. Other height sizes to be used with upper <b>and</b> lower sash. See <a href="#">Dealer Bulletin 61-16</a> for more details.	Unit No.	Size	White	Terra-tone®	Sand-tone	Forest Green	Canvas	Dark	
								Bronze	Black
	TW210	14 1/16	1650402	2732802	1152046	3851180	9033955	9073913	9127133
	TW32	16 1/16	1650404	2732804	1152048	3851182	9033956	9073914	9127134
	TW36	18 1/16	1650405	2732805	1152049	3851184	9033957	9073915	9127135
	TW310 Lower <i>(9/2017 - Present)</i>	19 9/16	9168698	9168682	9168681	9168683	9168684	9168685	9168686
	TW310 <i>(1992 - 8/2017)</i>	20 1/16	1650406	2732806	1152050	3851186	9033958	9073916	9127136
	TW310 Upper <i>(9/2017 - Present)</i>	20 9/16	9168697	9168662	9168657	9168664	9168666	9168669	9168672
	TW42	22 1/16	1650408	2732808	1152052	3851188	9033959	9073917	9127137
	TW46 Lower <i>(4/2017 - Present)</i>	23 9/16	9161587	9161576	9161575	9161574	9161572	9161573	9161571
	TW46 <i>(1992 - 3/2017)</i>	24 1/16	1650410	2732810	1152054	3851190	9033960	9073918	9127138
	TW46 Upper <i>(4/2017 - Present)</i>	24 9/16	9161585	9161536	9161535	9161534	9161532	9161533	9161531
	TW410	26 1/16	1650411	2732811	1152055	3851194	9033961	9073919	9127139
	TW52	28 1/16	1650412	2732812	1152056	3851196	9033962	9073920	9127140
	TW56E	30 1/16	1650415	2732813	1152057	3851198	9033963	9073921	9127141
	TW510	32 1/16	1650413	2732815	1152059	3851200	9033964	9073922	9127142
	TW62	34 1/16	1650416	2732816	1152060	3851202	9033965	9073923	9127143
	TW56C Lower <i>(4/2017 - Present)</i>	35 9/16	9161588	9161582	9161581	9161580	9161578	9161579	9161577
	TW56C <i>(1992 - 3/2017)</i>	36 1/16	1650414	2732814	1152058	3851204	9033966	9073924	9127144
	TW56RC Upper <i>(4/2017 - Present)</i>	36 9/16	9161586	9161542	9161541	9161540	9161538	9161539	9161537
	TW72	40 1/16	3868832	2732102	1152002	0313102	9033986	9073944	9127164
	TW76	42 1/16	3868834	2732103	1152003	0313103	9033985	9073943	9127163

# 400 Series Tilt-Wash (TW) Windows (1992 to Present)

Standard Windows

## Sash

### Glazing Beads - HDN

#### Glazing Bead - HDN / Top Rail with End Cap

**Note:**

Use with units that have HDN grilles beginning in June 2002. Use on upper sash top rail.

	Unit No.	Size	White	Terra-tone®	Sand-tone	Forest Green	Canvas	Dark Bronze	Black
	TW18	16 <sup>21</sup> / <sub>32</sub>	1690348	2705170	1102022	0300187	9034012	9073967	9127221
	TW20	20 <sup>21</sup> / <sub>32</sub>	1690349	2705171	1102023	0300188	9034011	9073966	9127220
	TW24	24 <sup>21</sup> / <sub>32</sub>	1690350	2705172	1102024	0300189	9034010	9073965	9127219
	TW26	26 <sup>21</sup> / <sub>32</sub>	1690351	2705173	1102025	0300190	9034009	9073964	9127218
	TW28	28 <sup>21</sup> / <sub>32</sub>	1690352	2705174	1102026	0300191	9034008	9073963	9127217
	TW210	30 <sup>21</sup> / <sub>32</sub>	1690353	2705175	1102027	0300192	9034007	9073962	9127216
	TW30	32 <sup>21</sup> / <sub>32</sub>	1690354	2705176	1102028	0300193	9034006	9073961	9127215
	TW34	36 <sup>21</sup> / <sub>32</sub>	1690355	2705177	1102029	0300194	9034005	9073960	9127214
	TW38	40 <sup>21</sup> / <sub>32</sub>	1690356	2705178	1102030	0300195	9034004	9073959	9127213

#### Bead - HDN / Upper Check / Bottom Rail with End Cap

**Note:**

Use with units that have HDN grilles beginning in June 2002. Use on upper sash check rail and lower sash bottom rail.

	Unit No.	Size	White	Terra-tone®	Sand-tone	Forest Green	Canvas	Dark Bronze	Black
	TW18	16 <sup>21</sup> / <sub>32</sub>	1690334	2705156	1102008	0300173	9034021	9073976	9127187
	TW20	20 <sup>21</sup> / <sub>32</sub>	1690335	2705157	1102009	0300174	9034020	9073975	9127186
	TW24	24 <sup>21</sup> / <sub>32</sub>	1690336	2705158	1102010	0300175	9034019	9073974	9127185
	TW26	26 <sup>21</sup> / <sub>32</sub>	1690337	2705159	1102011	0300176	9034018	9073973	9127184
	TW28	28 <sup>21</sup> / <sub>32</sub>	1690338	2705160	1102012	0300177	9034017	9073972	9127183
	TW210	30 <sup>21</sup> / <sub>32</sub>	1690339	2705161	1102013	0300178	9034016	9073971	9127182
	TW30	32 <sup>21</sup> / <sub>32</sub>	1690340	2705162	1102014	0300179	9034015	9073970	9127181
	TW34	36 <sup>21</sup> / <sub>32</sub>	1690341	2705163	1102015	0300180	9034014	9073969	9127180
	TW38	40 <sup>21</sup> / <sub>32</sub>	1690342	2705164	1102016	0300181	9034013	9073968	9127179

## Sash

Glazing Bead - HDN / Lower Check Rail									
<b>Note:</b> Use with units that have HDN grilles beginning in June 2002. Use on lower sash check rail.									
	Unit No.	Size	White	Terra-tone®	Sand-tone	Forest Green	Canvas	Dark Bronze	Black
	TW18	16 <sup>21</sup> / <sub>32</sub>	1690362	2705184	1102036	0300202	9034030	9073985	9127196
	TW20	20 <sup>21</sup> / <sub>32</sub>	1690363	2705185	1102037	0300203	9034029	9073984	9127195
	TW24	24 <sup>21</sup> / <sub>32</sub>	1690364	2705186	1102038	0300204	9034028	9073983	9127194
	TW26	26 <sup>21</sup> / <sub>32</sub>	1690365	2705187	1102039	0300205	9034027	9073982	9127193
	TW28	28 <sup>21</sup> / <sub>32</sub>	1690366	2705188	1102040	0300206	9034026	9073981	9127192
	TW210	30 <sup>21</sup> / <sub>32</sub>	1690367	2705189	1102041	0300207	9034025	9073980	9127191
	TW30	32 <sup>21</sup> / <sub>32</sub>	1690368	2705190	1102042	0300208	9034024	9073979	9127190
	TW34	36 <sup>21</sup> / <sub>32</sub>	1690369	2705191	1102043	0300209	9034023	9073978	9127189
	TW38	40 <sup>21</sup> / <sub>32</sub>	1690370	2705192	1102044	0300210	9034022	9073977	9127188

Glazing Bead - HDN / Stile									
<b>Note:</b> Use with units that have HDN grilles beginning in June 2002.. Use on all stiles. The 310 and 46 height sizes are unique in length with two separate part numbers for the glazing bead used on upper and lower sash. Other height sizes to be used with upper and lower sash. See <a href="#">Dealer Bulletin 61-16</a> for more details.									
	Unit No.	Size	White	Terra-tone®	Sand-tone	Forest Green	Canvas	Dark Bronze	Black
	TW210	14 <sup>1</sup> / <sub>4</sub>	1690320	2705142	1101993	0300159	9034003	9073958	9127178
	TW32	16 <sup>1</sup> / <sub>4</sub>	1690321	2705143	1101994	0300160	9034002	9073957	9127177
	TW36	18 <sup>1</sup> / <sub>4</sub>	1690322	2705144	1101995	0300161	9034001	9073956	9127176
	TW310 Lower <i>(9/2017 - Present)</i>	19 <sup>3</sup> / <sub>4</sub>	9168689	9168690	9168688	9168687	9168691	9168692	9168693
	TW310 <i>(1992 - 8/2017)</i>	20 <sup>1</sup> / <sub>4</sub>	1690323	2705145	1101996	0300162	9034000	9073955	9127175
	TW310 Upper <i>(9/2017 - Present)</i>	20 <sup>3</sup> / <sub>4</sub>	9168659	9168661	9168656	9168654	9168667	9168670	9168673
	TW42	22 <sup>1</sup> / <sub>4</sub>	1690324	2705146	1101997	0300163	9033999	9073954	9127174
	TW46 Lower <i>(4/2017 - Present)</i>	23 <sup>3</sup> / <sub>4</sub>	9161549	9161548	9161547	9161546	9161544	9161545	9161543
	TW46 <i>(1992 - 3/2017)</i>	24 <sup>1</sup> / <sub>4</sub>	1690325	2705147	1101998	0300164	9033998	9073953	9127173
	TW46 Upper <i>(4/2017 - Present)</i>	24 <sup>3</sup> / <sub>4</sub>	9161509	9161508	9161507	9161506	9161504	9161505	9161503
	TW410	26 <sup>1</sup> / <sub>4</sub>	1690326	2705148	1101999	0300165	9033997	9073952	9127172
	TW52	28 <sup>1</sup> / <sub>4</sub>	1690327	2705149	1102001	0300166	9033996	9073951	9127171
	TW56E	30 <sup>1</sup> / <sub>4</sub>	1690328	2705150	1102002	0300167	9033995	9073950	9127170
	TW510	32 <sup>1</sup> / <sub>4</sub>	1690329	2705151	1102003	0300168	9033994	9073949	9127169
	TW62	34 <sup>1</sup> / <sub>4</sub>	1690330	2705152	1102004	0300169	9033993	9073948	9127168
	TW56C Lower <i>(4/2017 - Present)</i>	35 <sup>3</sup> / <sub>4</sub>	9161556	9161555	9161554	9161553	9161551	9161552	9161550
	TW56C <i>(1992 - 3/2017)</i>	36 <sup>1</sup> / <sub>4</sub>	1690319	2705141	1101992	0300158	9033992	9073947	9127167
	TW56RC Upper <i>(4/2017 - Present)</i>	36 <sup>3</sup> / <sub>4</sub>	9161516	9161515	9161514	9161513	9161511	9161512	9161510
	TW72	40 <sup>1</sup> / <sub>4</sub>	1690331	2705153	1102005	0300170	9033991	9073946	9127166
TW76	42 <sup>1</sup> / <sub>4</sub>	1690332	2705154	1102006	0300171	9033990	9073945	9127165	

# 400 Series Tilt-Wash (TW) Windows (1992 to Present)

Standard Windows

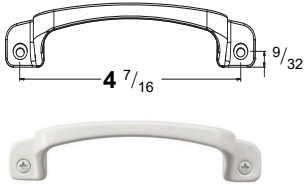
## Sash

### Sash Hardware / Lifts / Current

**Note:**

See [Accessory Guide 9166501](#). See [Installation Video](#).

#### Lift w/Screws - Contemporary (8/2017 - Present)

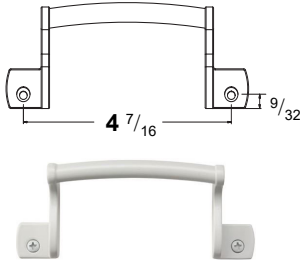
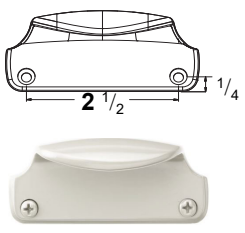
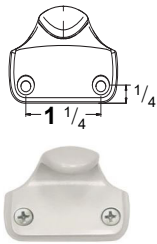
		
	<b>Bar Lift w/Screws</b>	
<b>Color</b>	<b>Order No.</b>	
White	9160290	
Stone	9160291	
Gold Dust	9160288	
Black	9160289	
Bright Brass	9160281	
Satin Nickel	9160285	
Oil-Rubbed Bronze	9160283	
Antique Brass	9160280	
Brushed Chrome	9160282	
Polished Chrome	9160284	
Distressed Bronze	9160286	
Distressed Nickel	9160287	

#### Lift w/Screws - Traditional (8/2017 - Present)

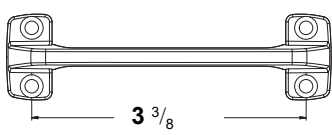
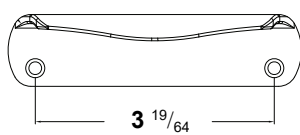
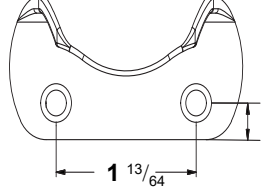
**Note:**

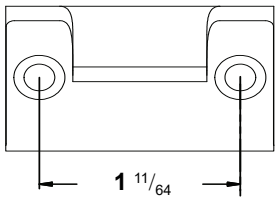
For units manufactured from 1992 to July 2017 see Traditional style lifts in [A-Series Double-Hung](#) section.

Hand lift quantity of one, finger lift quantity of two. See [Accessory Guide 9166501](#). See [Accessory Guide 9159962](#).

			
	<b>Bar Lift w/Screws</b>	<b>Hand Lift w/Screws</b>	<b>Finger Lift w/Screws</b>
<b>Color</b>	<b>Order No.</b>	<b>Order No.</b>	<b>Order No.</b>
White	9159470	9159482	9159494
Stone	9159471	9159483	9159495
Gold Dust	9159468	9159480	9159492
Black	9159469	9159481	9159493
Bright Brass	9159461	9159473	9159485
Satin Nickel	9159465	9159476	9159489
Oil-Rubbed Bronze	9159463	9159475	9159487
Antique Brass	9159460	9159472	9159484
Brushed Chrome	9159462	9159474	9159486
Polished Chrome	9159464	9159477	9159488
Distressed Bronze	9159466	9159478	9159490
Distressed Nickel	9159467	9159479	9159491

## Sash

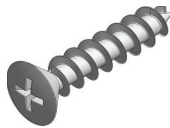
<b>Lift w/Screws - Classic (1992 - 3/2017)</b>			
<b>Note:</b> For units manufactured from 1992 to March 2017 see Classic style lifts in <a href="#">Woodwright and Tilt-Wash Insert</a> sections.			
			
	<b>Sash Lift - Bar Classic with Screws</b>	<b>Sash Lift - Hand Classic with Screws</b>	<b>Sash Lift - Finger Classic with Screws</b>
<b>Color</b>	<b>Order No.</b>	<b>Order No.</b>	<b>Order No.</b>
White	N/A	N/A	N/A
Stone	N/A	N/A	N/A
Canvas	-	N/A	-
Dark Bronze	-	N/A	-

<b>Lift w/Screws - Estate (1992 - 3/2017)</b>	
<b>Note:</b> For units manufactured from 1992 to March 2017 see Estate style lifts in <a href="#">Woodwright and Tilt-Wash Insert</a> sections.	
	
	<b>Sash Lift - Finger Estate with Screws</b>
<b>Color</b>	<b>Order No.</b>
Antique Brass	N/A
Bright Brass	N/A
Chrome	N/A
Brushed Chrome	N/A
Satin Nickel	N/A
Oil Rubbed Bronze	N/A
Distressed Bronze	N/A
Distressed Nickel	N/A

# 400 Series Tilt-Wash (TW) Windows (1992 to Present)

Standard Windows

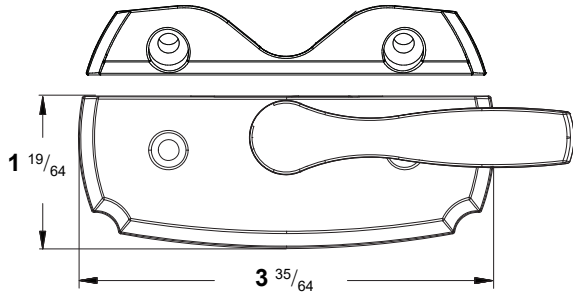
## Sash

Screw - Finger Lift			
	Description	Finish	Order No.
	6 - 10 x 3/4" Typ AB PH SP oval STL H9	Stone	3620225
		White	3620226
		Gold Dust	9004465
		Black	9004466
		Bright Brass	9004467
		Satin Nickel	9004468
		Oil-Rubbed Bronze	9004469
		Antique Brass	9004470
		Brushed Chrome	9004471
		Polished Chrome	9004472

## Sash

### Sash Hardware - Lock Kits/Components

#### Lock Kit - Flush Mount / Estate

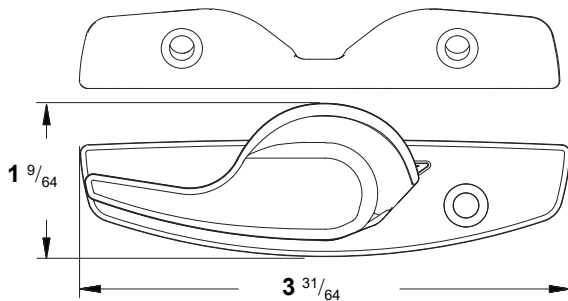


**Kit Includes:**

- (1) Lock
- (1) Keeper
- (4) Screws
- [Accessory Guide 0005256.](#)

Finish	Order No.
Antique Brass	1600695
Bright Brass	1669321
Chrome	1669323
Brushed Chrome	1600406
Satin Nickel	1642924
Oil Rubbed Bronze	1642923
Distressed Bronze	1600407
Distressed Nickel	1600401

#### Lock Kit - Flush Mount



**Kit Includes:**

- (1) Lock
- (1) Keeper
- (4) Screws

**Note:**

Used as standard from 1998-2014. This flush mount composite lock replaces all previous vintages/types.

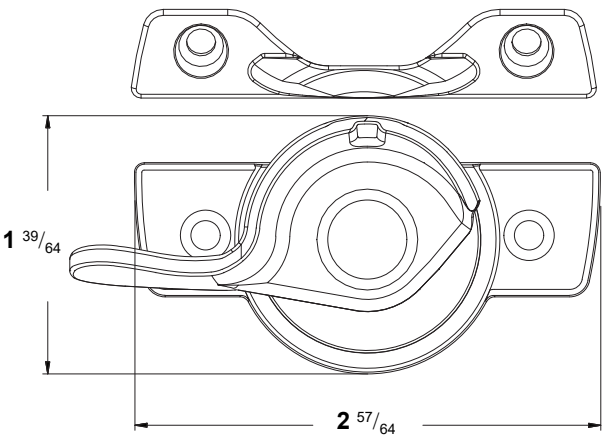

Finish	Order No.
Stone	1630020
White	1630029

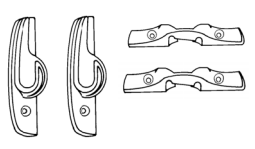


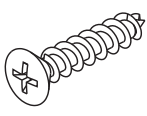
# 400 Series Tilt-Wash (TW) Windows (1992 to Present)

Standard Windows

## Sash

Lock Kit - Traditional		
		
<p><b>Kit Includes:</b></p> <ul style="list-style-type: none"> <li>(1) Lock (metal)</li> <li>(1) Keeper (metal)</li> <li>(4) Screws</li> </ul> <p><b>Note:</b> Can be used as an upgrade on sash with flush mount hardware. Used as standard from 2015-present.</p>	<b>Finish</b>	<b>Order No.</b>
	Stone	9069432
	White	9069433
	Black	9069434
	Gold Dust	9069435

Lock Kit - Double / Composite		
	<p><b>Kit includes:</b></p> <ul style="list-style-type: none"> <li>(2) Composite locks</li> <li>(2) Composite keepers</li> <li>(1) Lock spacer</li> <li>(1) Keeper spacer</li> <li>(12) Screws</li> </ul>	
	<b>Color</b>	<b>Order No.</b>
	Stone	1630108
	White	1630110

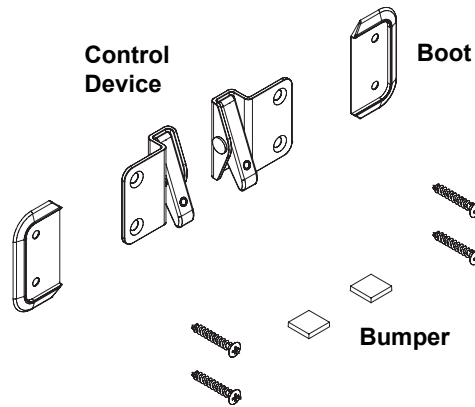
Screw - Lock and Keeper		
	<b>Description:</b>	
	6-10 x 3/4" PLS Z PH SP oval STL ZD	
	<b>Color</b>	<b>Order No.</b>
	Stone	3620225
	White	3620226
	Gold Dust	9004465
	Satin Nickel	9004468
	Bright Brass	9004467
	Black	
	Oil-Rubbed Bronze	9004466
	Antique Brass	9004470
	Brushed Chrome	
	Polished Chrome	9004472

## Sash

### Sash Hardware / Opening Control Device Kit

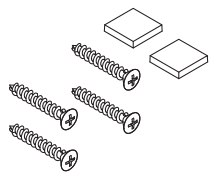
#### Opening Control Device Kit

**Note:**  
See [Accessory Guide 9021977](#). See [Installation Video](#).



	<b>Kit includes:</b> Two opening control devices, two boots, screws, bumpers and instructions.	<b>Finish</b>	<b>Order No.</b>
		Stone	9021976
		White	9021975
		Black	9168018

#### Screw Pack - Opening Control Device Kit

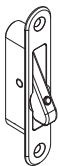


**Kit includes:**  
(4) Screws  
(2) Bumpers

		<b>Color</b>	<b>Order No.</b>
		Stone	9031536
		White	9031535
		Black	9168019

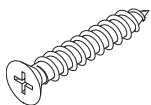
#### Opening Control Device / Factory Installed

**Note:**  
See [Dealer Bulletin 56-17](#) for more information.



		<b>Finish</b>	<b>Order No.</b>
		Stone	9152278
		White	9152277
		Black	9152281

#### Screw - Opening Control Device / Factory Installed



**Description:**  
6-18 x 7/8" PHFH TYP A Tapping

		<b>Color</b>	<b>Order No.</b>
		Stone	9152280
		White	9152279
		Black	By description

# 400 Series Tilt-Wash (TW) Windows (1992 to Present)

Standard Windows

## Sash

### Sash Hardware / Retainer

#### Retainer (9/2017 - Present)


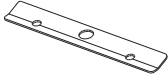
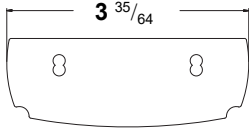
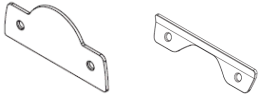
**Note:**

Handing determined by location on sash as viewed from the exterior. See [fasteners](#).

		<b>Left</b>	<b>Right</b>
		9160256	9160257


### Shim Kits/Components

#### Shim Kits


				
	<b>Classic</b>		<b>Estate</b>	<b>Traditional</b>
<b>Color</b>	<b>Lock</b>	<b>Keeper</b>	<b>Lock</b>	<b>Kit (Lock &amp; Keeper)</b>
White	1646144	1646143	9173745	9069437
Stone	1152528	1152527	9173746	9069436
Black	-	-	-	9069438
Gold Dust	-	-	-	9069439

### Sash Components / Miscellaneous

#### Grommet - Grille

	<p><b>Note:</b> Use the Tan/Tycote grommet for Sandtone units.</p>	<b>Color</b>	<b>Order No.</b>
		White	1631210
		Terratone®	2731208
		Tan	1631208


#### Pivot - Sash

	<b>Order No.</b>
	1643018

#### Screw - Sash Pivot

	<b>Description</b>	<b>Order No.</b>
	6-10 x 3/4 SCR5 Oval Hd	3621996

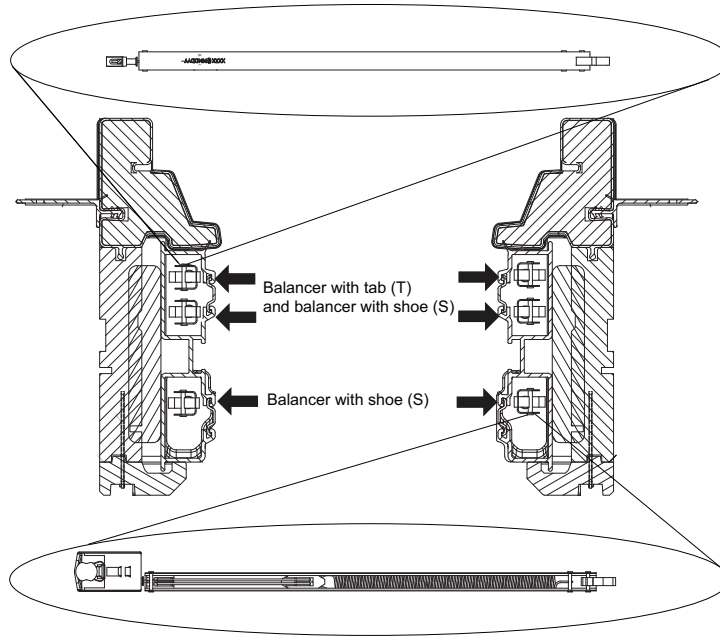
#### Dust Plug - Upper

	<b>Order No.</b>
	1623072

## Sash Balancers

### Balancers - Tab and Shoe Illustration

#### Balancer - Tab and Shoe Illustration



# 400 Series Tilt-Wash (TW) Windows (1992 to Present)

Standard Windows

## Sash Balancers

### Balancer Usage Chart (1992 - Present)

**Note:**

**T** = Balancer with tab.

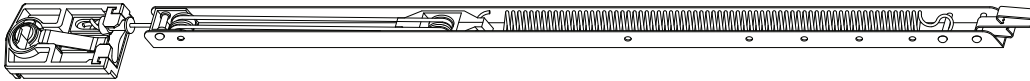
**S** = Balancer with shoe.

**S & T** = Two balancers used: one with shoe and one with tab.

These charts are used to identify balancers for TW (Tilt-Wash) double hung units.

The following charts show the balancers that you need for the upper and the lower sash. A complete unit will use either 4, 6 or 8 balancers.

- If one number is listed this balancer is used on the upper sash as well as the lower sash.
- If two balancer sizes are listed, you need both of those balancers for the upper and both for the lower sash.
- Each sash will use either two (one on each side) or four (two on each side) balancers on each sash, see [page 164](#).
- If an S & T follows a number, you need two balancers for the upper sash, one with a shoe and one with a tab and two for the lower sash, one with a shoe and one with a tab.
- See Stormwatch Section to identify balancer chart for glass types not listed in Chart 1 through 4.
- Balancer may be etched with 3 or 4 digit number.
- 46 sash height changed 4/2017
- 310 sash height changed 9/2017



**Tilt-Wash Balancer (Block and Tackle with Shoe)**

Beginning in April of 2012, glass may be etched with 2.2 or 3.0 etchings. If you have a sash made prior to April of 2012 use glass type to identify balancer needed. If you have a sash made after April 2012 use glass type as well as any 2.2 or 3.0 etching around logo. Glass with 2.2 etchings will use Chart 1 or 3, glass with 3.0 etchings will use Chart 2 or 4. Glass type HP, HP Sun, HP SmartSun™ and HP PassiveSun™ manufactured prior to April 2012 will not have 2.2 etching, but will use Chart 1 or 3.

#### 2.2 Etching



#### 3.0 Etching



## Sash Balancers

BALANCER USAGE CHART 1 - TW UNITS (1992 - Present)							
HP (2.2)							
HP Sun (2.2)							
HP SmartSun (2.2)							
HP Passive Sun (2.2)							
Unit No.	Upper and Lower Sash		Order No.	Unit No.	Upper and Lower Sash		
	Balancer				Balancer		
<b>18</b>	TW18210	TW414 <sup>s</sup>	<a href="#">See Charts</a>	<b>20</b>	TW20210	TW414 <sup>s</sup>	<a href="#">See Charts</a>
	TW1832	TW416 <sup>s</sup>			TW2032	TW516 <sup>s</sup>	
	TW1836	TW418 <sup>s</sup>			TW2036	TW518 <sup>s</sup>	
	TW18310 (9/2017 - Present)	TW520.35 <sup>s</sup>			TW20310 (9/2017 - Present)	TW620.35 <sup>s</sup>	
	TW18310 (1992 - 8/2017)	TW520 <sup>s</sup>			TW20310 (1992 - 8/2017)	TW520 <sup>s</sup>	
	TW1842	TW522 <sup>s</sup>			TW2042	TW622	
	TW1846 (4/2017 - Present)	TW524.35 <sup>s</sup>			TW2046 (4/2017 - Present)	TW624.35 <sup>s</sup>	
	TW1846 (1992 - 3/2017)	TW524 <sup>s</sup>			TW2046 (1992 - 3/2017)	TW624 <sup>s</sup>	
	TW18410	TW626 <sup>s</sup>			TW20410	TW726 <sup>s</sup>	
	TW1852	TW628 <sup>s</sup>			TW2052	TW728 <sup>s</sup>	
	TW1856 (4/2017 - Present)	Upper:TW524.35 <sup>s</sup> Lower:TW730 <sup>s</sup>			TW2056 (4/2017 - Present)	Upper:TW624.35 <sup>s</sup> Lower:TW830 <sup>s</sup>	
	TW1856 (1992 - 3/2017)	Upper:TW524 <sup>s</sup> Lower:TW730 <sup>s</sup>			TW2056 (1992 - 3/2017)	Upper:TW624 <sup>s</sup> Lower:TW830 <sup>s</sup>	
	TW1856E	TW630 <sup>s</sup>			TW2056E	TW730 <sup>s</sup>	
	TW18510	TW732 <sup>s</sup>			TW20510	TW832 <sup>s</sup>	
	TW1862	TW734 <sup>s</sup>			TW2062	TW834 <sup>s</sup>	
	TW1872	TW840 <sup>s</sup>			TW2072	TW940 <sup>s</sup>	
TW1876	TW842 <sup>s</sup>	TW2076	TW1042 <sup>s</sup>				

# 400 Series Tilt-Wash (TW) Windows (1992 to Present)

Standard Windows

## Sash Balancers

BALANCER USAGE CHART 1 - TW UNITS (1992 - Present)							
HP (2.2)							
HP Sun (2.2)							
HP SmartSun (2.2)							
HP Passive Sun (2.2)							
	Unit No.	Upper and Lower Sash Balancer	Order No.		Unit No.	Upper and Lower Sash Balancer	Order No.
<b>24</b>	TW24210	TW514 <sup>s</sup>	<a href="#">See Charts</a>	<b>26</b>	TW26210	TW514 <sup>s</sup>	<a href="#">See Charts</a>
	TW2432	TW516 <sup>s</sup>			TW2632	TW616 <sup>s</sup>	
	TW2436	TW618 <sup>s</sup>			TW2636	TW618 <sup>s</sup>	
	TW24310 <i>(9/2017 - Present)</i>	TW620.35 <sup>s</sup>			TW26310 <i>(9/2017 - Present)</i>	TW720.35 <sup>s</sup>	
	TW24310 <i>(1992 - 8/2017)</i>	TW620 <sup>s</sup>			TW26310 <i>(1992 - 8/2017)</i>	TW720 <sup>s</sup>	
	TW2442	TW722 <sup>s</sup>			TW2642	TW722 <sup>s</sup>	
	TW2446 <i>(4/2017 - Present)</i>	TW724.35 <sup>s</sup>			TW2646 <i>(4/2017 - Present)</i>	TW824.35 <sup>s</sup>	
	TW2446 <i>(1992 - 3/2017)</i>	TW724 <sup>s</sup>			TW2646 <i>(1992 - 3/2017)</i>	TW824 <sup>s</sup>	
	TW24410	TW826 <sup>s</sup>			TW26410	TW826 <sup>s</sup>	
	TW2452	TW828 <sup>s</sup>			TW2652	TW928 <sup>s</sup>	
	TW2456 <i>(4/2017 - Present)</i>	Upper:TW724.35 <sup>s</sup> Lower:TW1030 <sup>s</sup>			TW2656 <i>(4/2017 - Present)</i>	Upper:TW824.35 <sup>s</sup> Lower:TW1030 <sup>s</sup>	
	TW2456C <i>(1992 - 3/2017)</i>	Upper:TW724.35 <sup>s</sup> Lower:TW1030 <sup>s</sup>			TW2656 <i>(1992 - 3/2017)</i>	Upper: TW724 <sup>s</sup> Lower: TW1030 <sup>s</sup>	
	TW2456E	TW930 <sup>s</sup>			TW2656E	TW930 <sup>s</sup>	
	TW24510	TW930 <sup>s</sup>			TW26510	TW1032 <sup>s</sup>	
	TW2462	TW934 <sup>s</sup>			TW2662	TW1034 <sup>s</sup>	
TW2472	TW1140 <sup>s</sup>	TW2672	TW1240 <sup>s</sup>				
TW2476	TW1142 <sup>s</sup>	TW2676	TW1242 <sup>s</sup>				

## Sash Balancers

<b>BALANCER USAGE CHART 1 - TW UNITS (1992 - Present)</b>					
<b>HP (2.2)</b>					
<b>HP Sun (2.2)</b>					
<b>HP SmartSun (2.2)</b>					
<b>HP Passive Sun (2.2)</b>					
Unit No.	Upper and Lower Sash	Order No.	Unit No.	Upper and Lower Sash	Order No.
	Balancer			Balancer	
<b>28</b>	TW2828	TW513 <sup>s</sup>	<a href="#">See Charts</a>	TW210210	TW614 <sup>s</sup>
	TW28210	TW614 <sup>s</sup>		TW21032	TW616 <sup>s</sup>
	TW2832	TW616 <sup>s</sup>		TW21036	TW718 <sup>s</sup>
	TW2836	TW718 <sup>s</sup>		TW210310 (9/2017 - Present)	TW820.35 <sup>s</sup>
	TW28310 (9/2017 - Present)	TW720.35 <sup>s</sup>		TW210310 (1992 - 8/2017)	TW820 <sup>s</sup>
	TW28310 (1992 - 8/2017)	TW720 <sup>s</sup>		TW21042	TW822 <sup>s</sup>
	TW2842	TW822 <sup>s</sup>		TW21046 (4/2017 - Present)	TW924.35 <sup>s</sup>
	TW2846 (4/2017 - Present)	TW824.35 <sup>s</sup>		TW21046 (1992 - 3/2017)	TW824 <sup>s</sup>
	TW2846 (1992 - 3/2017)	TW824 <sup>s</sup>		TW210410	TW926 <sup>s</sup>
	TW28410	TW926 <sup>s</sup>		TW21052	TW1028 <sup>s</sup>
	TW2852	TW928 <sup>s</sup>		TW21056 (4/2017 - Present)	Upper:TW924.35 <sup>s</sup> Lower:TW1230 <sup>s</sup>
	TW2856 (4/2017 - Present)	Upper:TW824.35 <sup>s</sup> Lower:TW1130 <sup>s</sup>		TW21056 (1992 - 3/2017)	Upper:TW924 <sup>s</sup> Lower:TW1230 <sup>s</sup>
	TW2856 (1992 - 3/2017)	Upper: TW824 <sup>s</sup> Lower: TW1130 <sup>s</sup>		TW21056E	TW1030 <sup>s</sup>
	TW2856E	TW1030 <sup>s</sup>		TW210510	TW1132 <sup>s</sup>
	TW28510	TW1032 <sup>s</sup>		TW21062	TW1134 <sup>s</sup>
	TW2862	TW1134 <sup>s</sup>		TW21072	TW1340 <sup>s</sup>
	TW2872	TW1240 <sup>s</sup>		TW21076	TW1442 <sup>s</sup>
TW2876	TW1342 <sup>s</sup>				
				<b>210</b>	<a href="#">See Charts</a>



# 400 Series Tilt-Wash (TW) Windows (1992 to Present)

Standard Windows

## Sash Balancers

<b>BALANCER USAGE CHART 1 - TW UNITS (1992 - Present)</b> HP (2.2) HP Sun (2.2) HP SmartSun (2.2) HP Passive Sun (2.2)							
	Unit No.	Upper and Lower Sash Balancer	Order No.		Unit No.	Upper and Lower Sash Balancer	Order No.
<b>30</b>	TW30210	TW614 <sup>s</sup>	<a href="#">See Charts</a>	<b>34</b>	TW34210	TW714 <sup>s</sup>	<a href="#">See Charts</a>
	TW3032	TW716 <sup>s</sup>			TW3432	TW716 <sup>s</sup>	
	TW3036	TW718 <sup>s</sup>			TW3436	TW818 <sup>s</sup>	
	TW30310 <i>(9/2017 - Present)</i>	TW820.35 <sup>s</sup>			TW34310 <i>(9/2017 - Present)</i>	TW920.35 <sup>s</sup>	
	TW30310 <i>(1992 - 8/2017)</i>	TW820 <sup>s</sup>			TW34310 <i>(1992 - 8/2017)</i>	TW920 <sup>s</sup>	
	TW3042	TW922 <sup>s</sup>			TW3442	TW922 <sup>s</sup>	
	TW3046 <i>(4/2017 - Present)</i>	TW924.35 <sup>s</sup> TW924.35 <sup>s</sup>			TW3446 <i>(4/2017 - Present)</i>	TW1024.35 <sup>s</sup> TW1024.35 <sup>s</sup>	
	TW3046 <i>(1992 - 3/2017)</i>	TW924 <sup>s</sup>			TW3446 <i>(1992 - 3/2017)</i>	TW1024 <sup>s</sup>	
	TW3048	TW925 <sup>s</sup>			TW34410	TW1126 <sup>s</sup>	
	TW30410	TW1026 <sup>s</sup>			TW3452	TW1128 <sup>s</sup>	
	TW3052	TW1028 <sup>s</sup>			TW3456 <i>(4/2017 - Present)</i>	Upper:TW1024.35 <sup>s</sup> Lower:830 <sup>s</sup> Lower:630 <sup>T</sup>	
	TW3056 <i>(4/2017 - Present)</i>	Upper:TW924.35 <sup>s</sup> Lower:TW1230 <sup>s</sup>			TW3456 <i>(1992 - 3/2017)</i>	Upper: TW1024 Lower: TW630 <sup>T</sup> Lower: TW830 <sup>s</sup>	
	TW3056 <i>(1992 - 3/2017)</i>	Upper:TW924 <sup>s</sup> Lower:TW1230 <sup>s</sup>			TW3456E	TW1230 <sup>s</sup>	
	TW3056E	TW1130 <sup>s</sup>			TW34510	TW1332 <sup>s</sup>	
	TW30510	TW1232 <sup>s</sup>			TW3462	TW1334 <sup>s</sup>	
	TW3062	TW1234 <sup>s</sup>			TW3472	TW840 <sup>s</sup> TW740 <sup>T</sup>	
TW3072	TW1440 <sup>s</sup>	TW3476	TW842 <sup>s</sup> TW842 <sup>T</sup>				
TW3076	TW742 <sup>T</sup> TW842 <sup>s</sup>						

## Sash Balancers

BALANCER USAGE CHART 1 - TW UNITS (1992 - Present)					
HP (2.2)					
HP Sun (2.2)					
HP SmartSun (2.2)					
HP Passive Sun (2.2)					
Unit No.		Upper and Lower Sash	Order No.	Unit No.	
		Balancer		Upper and Lower Sash	
				Balancer	
				Order No.	
<b>38</b>	TW38210	TW714 <sup>S</sup>	<a href="#">See Charts</a>		
	TW3832	TW816 <sup>S</sup>			
	TW3836	TW918 <sup>S</sup>			
	TW38310 (9/2017 - Present)	TW1020.35 <sup>S</sup>			
	TW38310 (1992 - 8/2017)	TW1020 <sup>S</sup>			
	TW3842	TW1022 <sup>S</sup>			
	TW3846 (4/2017 - Present)	TW1124.35 <sup>S</sup>			
	TW3846 (1992 - 3/2017)	TW1124 <sup>S</sup>			
	TW38410	TW1226 <sup>S</sup>			
	TW3852	TW728 <sup>S</sup> TW628 <sup>T</sup>			
	TW3856 (4/2017 - Present)	Upper:TW1124.35 <sup>S</sup> Lower:TW730 <sup>S</sup> Lower:TW830 <sup>T</sup>			
	TW3856 (1992 - 8/2017)	Upper:TW1124 <sup>S</sup> Lower:TW730 <sup>S</sup> Lower:TW830 <sup>T</sup>			
	TW3856E	TW630 <sup>T</sup> TW730 <sup>S</sup>			
	TW38510	TW632 <sup>T</sup> TW832 <sup>S</sup>			
	TW3862	TW734 <sup>T</sup> TW834 <sup>S</sup>			
	TW3872	TW840 <sup>T</sup> TW940 <sup>S</sup>			
	TW3876	TW942 <sup>S</sup> TW942 <sup>T</sup>			
TW38210	TW714 <sup>S</sup>				

# 400 Series Tilt-Wash (TW) Windows (1992 to Present)

Standard Windows

## Sash Balancers

<b>BALANCER USAGE CHART 2 - TW UNITS (1992 - Present)</b>						
<b>HP (3.0)</b> <b>HP Sun (3.0)</b> <b>HP SmartSun (3.0)</b> <b>HP Passive Sun (3.0)</b> <b>HP Tempered</b> <b>HP Sun Tempered</b> <b>HP SmartSun Tempered</b> <b>HP Passive Sun Tempered</b> <b>HP Obscure</b> <b>HP Sun Obscure</b> <b>HP SmartSun Obscure</b> <b>HP Passive Sun Obscure</b>			<b>HP Tempered Obscure</b> <b>HP Sun Obscure Tempered</b> <b>HP SmartSun Obscure Tempered</b> <b>HP Passive Sun Obscure Tempered</b> <b>HP Fern</b> <b>HP Sun Fern</b> <b>HP SmartSun Fern</b> <b>HP Passive Sun Fern</b> <b>HP Tempered Fern</b> <b>HP Sun Tempered Fern</b> <b>HP SmartSun Tempered Fern</b> <b>HP Passive Sun Tempered Fern</b>			
	Upper and Lower Sash			Upper and Lower Sash		
Unit No.	Balancer	Order No.	Unit No.	Balancer	Order No.	
<b>18</b>	TW18210	TW414 <sup>S</sup>	<a href="#">See Charts</a>	TW20210	TW514 <sup>S</sup>	<a href="#">See Charts</a>
	TW1832	TW516 <sup>S</sup>		TW2032	TW616 <sup>S</sup>	
	TW1836	TW518 <sup>S</sup>		TW2036	TW618 <sup>S</sup>	
	TW18310 <i>(9/2017 - Present)</i>	TW620.35 <sup>S</sup>		TW20310 <i>(9/2017 - Present)</i>	TW720.35 <sup>S</sup>	
	TW18310 <i>(1992 - 8/2017)</i>	TW620 <sup>S</sup>		TW20310 <i>(1992 - 8/2017)</i>	TW720 <sup>S</sup>	
	TW1842	TW622 <sup>S</sup>		TW2042	TW722 <sup>S</sup>	
	TW1846 <i>(4/2017 - Present)</i>	TW724.35 <sup>S</sup>		TW2046 <i>(4/2017 - Present)</i>	TW824.35 <sup>S</sup>	
	TW1846 <i>(1992 - 3/2017)</i>	TW724 <sup>S</sup>		TW2046 <i>(1992 - 3/2017)</i>	TW824 <sup>S</sup>	
	TW18410	TW626 <sup>S</sup>		TW20410	TW826 <sup>S</sup>	
	TW1852	TW728 <sup>S</sup>		TW2052	TW928 <sup>S</sup>	
	TW1856 <i>(4/2017 - Present)</i>	Upper:TW724.35 <sup>S</sup> Lower:TW930 <sup>S</sup>		TW2056 <i>(4/2017 - Present)</i>	Upper:TW824.35 <sup>S</sup> Lower:TW1130 <sup>S</sup>	
	TW1856 <i>(1992 - 3/2017)</i>	Upper:TW724 <sup>S</sup> Lower: TW930 <sup>S</sup>		TW2056 <i>(1992 - 3/2017)</i>	Upper: TW824 <sup>S</sup> Lower: TW1130 <sup>S</sup>	
	TW1856E	TW830 <sup>S</sup>		TW2056E	TW930 <sup>S</sup>	
	TW18510	TW732 <sup>S</sup>		TW20510	TW1032 <sup>S</sup>	
	TW1862	TW934 <sup>S</sup>		TW2062	TW1034 <sup>S</sup>	
	TW1872	TW940 <sup>S</sup>		TW2072	TW1240 <sup>S</sup>	
TW1876	TW1042 <sup>S</sup>	TW2076	TW1342 <sup>S</sup>			

## Sash Balancers

<b>BALANCER USAGE CHART 2 - TW UNITS (1992 - Present)</b>					
HP (3.0) HP Sun (3.0) HP SmartSun (3.0) HP Passive Sun (3.0) HP Tempered HP Sun Tempered HP SmartSun Tempered HP Passive Sun Tempered HP Obscure HP Sun Obscure HP SmartSun Obscure HP Passive Sun Obscure			HP Tempered Obscure HP Sun Obscure Tempered HP SmartSun Obscure Tempered HP Passive Sun Obscure Tempered HP Fern HP Sun Fern HP SmartSun Fern HP Passive Sun Fern HP Tempered Fern HP Sun Tempered Fern HP SmartSun Tempered Fern HP Passive Sun Tempered Fern		
Unit No.	Upper and Lower Sash	Order No.	Unit No.	Upper and Lower Sash	Order No.
	Balancer			Balancer	
<b>24</b>	TW24210	TW614 <sup>S</sup>	<b>26</b>	TW26210	TW614 <sup>S</sup>
	TW2432	TW716 <sup>S</sup>		TW2632	TW716 <sup>S</sup>
	TW2436	TW718 <sup>S</sup>		TW2636	TW818 <sup>S</sup>
	TW24310 <i>(9/2017 - Present)</i>	TW820.35 <sup>S</sup>		TW26310 <i>(9/2017 - Present)</i>	TW920.35 <sup>S</sup>
	TW24310 <i>(1992 - 8/2017)</i>	TW820 <sup>S</sup>		TW26310 <i>(1992 - 8/2017)</i>	TW820 <sup>S</sup>
	TW2442	TW822 <sup>S</sup>		TW2642	TW922 <sup>S</sup>
	TW2446 <i>(4/2017 - Present)</i>	TW924.35 <sup>S</sup>		TW2646 <i>(4/2017 - Present)</i>	TW1024.35 <sup>S</sup>
	TW2446 <i>(1992 - 3/2017)</i>	TW924 <sup>S</sup>		TW2646 <i>(1992 - 3/2017)</i>	TW1024 <sup>S</sup>
	TW24410	TW1026 <sup>S</sup>		TW26410	TW1026 <sup>S</sup>
	TW2452	TW1028 <sup>S</sup>		TW2652	TW1128 <sup>S</sup>
	TW2456 <i>(4/2017 - Present)</i>	Upper:TW924.35 <sup>S</sup> Lower:TW1230 <sup>S</sup>		TW2656 <i>(4/2017 - Present)</i>	Upper:TW1024.35 <sup>S</sup> Lower: TW630 <sup>T</sup> Lower: TW730 <sup>S</sup>
	TW2456 <i>(1992 - 3/2017)</i>	Upper: TW924 <sup>S</sup> Lower: TW1230 <sup>S</sup>		TW2656 <i>(1992 - 3/2017)</i>	Upper: TW1024 <sup>S</sup> Lower: TW630 <sup>T</sup> Lower: TW730 <sup>S</sup>
	TW2456E	TW1130 <sup>S</sup>		TW2656E	TW1130 <sup>S</sup>
	TW24510	TW1232 <sup>S</sup>		TW26510	TW1232 <sup>S</sup>
	TW2462	TW1234 <sup>S</sup>		TW2662	TW1334 <sup>S</sup>
	TW2472	TW1440 <sup>S</sup>		TW2672	TW740 <sup>T</sup> TW840 <sup>S</sup>
TW2476	TW742 <sup>T</sup> TW842 <sup>S</sup>	TW2676	TW842 <sup>T</sup> TW 842 <sup>S</sup>		

# 400 Series Tilt-Wash (TW) Windows (1992 to Present)

Standard Windows

## Sash Balancers

<b>BALANCER USAGE CHART 2 - TW UNITS (1992 - Present)</b>						
<b>HP (3.0)</b> <b>HP Sun (3.0)</b> <b>HP SmartSun (3.0)</b> <b>HP Passive Sun (3.0)</b> <b>HP Tempered</b> <b>HP Sun Tempered</b> <b>HP SmartSun Tempered</b> <b>HP Passive Sun Tempered</b> <b>HP Obscure</b> <b>HP Sun Obscure</b> <b>HP SmartSun Obscure</b> <b>HP Passive Sun Obscure</b>			<b>HP Tempered Obscure</b> <b>HP Sun Obscure Tempered</b> <b>HP SmartSun Obscure Tempered</b> <b>HP Passive Sun Obscure Tempered</b> <b>HP Fern</b> <b>HP Sun Fern</b> <b>HP SmartSun Fern</b> <b>HP Passive Sun Fern</b> <b>HP Tempered Fern</b> <b>HP Sun Tempered Fern</b> <b>HP SmartSun Tempered Fern</b> <b>HP Passive Sun Tempered Fern</b>			
	Upper and Lower Sash			Upper and Lower Sash		
Unit No.	Balancer	Order No.	Unit No.	Balancer	Order No.	
<b>28</b>	TW2828	TW613 <sup>S</sup>	<a href="#">See Charts</a>	TW210210	TW714 <sup>S</sup>	<a href="#">See Charts</a>
	TW28210	TW714 <sup>S</sup>		TW21032	TW816 <sup>S</sup>	
	TW2832	TW816 <sup>S</sup>		TW21036	TW818 <sup>S</sup>	
	TW2836	TW818 <sup>S</sup>		TW210310 <i>(9/2017 - Present)</i>	TW1020.35 <sup>S</sup>	
	TW28310 <i>(9/2017 - Present)</i>	TW920.35 <sup>S</sup>		TW210310 <i>(1992 - 8/2017)</i>	TW1020 <sup>S</sup>	
	TW28310 <i>(1992 - 8/2017)</i>	TW920 <sup>S</sup>		TW21042	TW1022 <sup>S</sup>	
	TW2842	TW1022 <sup>S</sup>		TW21046 <i>(4/2017 - Present)</i>	TW1124.35 <sup>S</sup>	
	TW2846 <i>(4/2017 - Present)</i>	TW1124.35 <sup>S</sup>		TW21046 <i>(1992 - 3/2017)</i>	TW1124 <sup>S</sup>	
	TW2846 <i>(1992 - 3/2017)</i>	TW1024 <sup>S</sup>		TW210410	TW1226 <sup>S</sup>	
	TW28410	TW1126 <sup>S</sup>		TW21052	TW628 <sup>T</sup> TW728 <sup>S</sup>	
	TW2852	TW1228 <sup>S</sup>		TW21056 <i>(4/2017 - Present)</i>	Upper: TW1124.35 <sup>S</sup> Lower: TW730 <sup>S</sup> Lower: 830 <sup>T</sup>	
	TW2856 <i>(4/2017 - Present)</i>	Upper: TW1124.35 <sup>S</sup> Lower: TW830 <sup>S</sup> Lower: TW630 <sup>T</sup>		TW21056 <i>(1992 - 3/2017)</i>	Upper: TW1124 <sup>S</sup> Lower: TW730 <sup>S</sup> Lower: TW830 <sup>T</sup>	
	TW2856 <i>(1992 - 3/2017)</i>	Upper: TW1024 <sup>S</sup> Lower: TW1430 <sup>S</sup>		TW21056E	TW630 <sup>T</sup> TW730 <sup>S</sup>	
	TW2856E	TW1230 <sup>S</sup>		TW210510	TW632 <sup>T</sup> TW832 <sup>S</sup>	
	TW28510	TW1332 <sup>S</sup>		TW21062	TW734 <sup>T</sup> TW834 <sup>S</sup>	
	TW2862	TW1434 <sup>S</sup>		TW21072	TW840 <sup>T</sup> TW840 <sup>S</sup>	
TW2872	TW840 <sup>T</sup> TW 840 <sup>S</sup>	TW21076	TW942 <sup>T</sup> TW942 <sup>S</sup>			
TW2876	TW842 <sup>T</sup> TW942 <sup>S</sup>					

## Sash Balancers

BALANCER USAGE CHART 2 - TW UNITS (1992 - Present)						
HP (3.0) HP Sun (3.0) HP SmartSun (3.0) HP Passive Sun (3.0) HP Tempered HP Sun Tempered HP SmartSun Tempered HP Passive Sun Tempered HP Obscure HP Sun Obscure HP SmartSun Obscure HP Passive Sun Obscure			HP Tempered Obscure HP Sun Obscure Tempered HP SmartSun Obscure Tempered HP Passive Sun Obscure Tempered HP Fern HP Sun Fern HP SmartSun Fern HP Passive Sun Fern HP Tempered Fern HP Sun Tempered Fern HP SmartSun Tempered Fern HP Passive Sun Tempered Fern			
Unit No.	Upper and Lower Sash	Order No.	Unit No.	Upper and Lower Sash	Order No.	
	Balancer			Balancer		
<b>30</b>	TW30210	TW714 <sup>S</sup>	<a href="#">See Charts</a>	TW34210	TW314 <sup>T</sup> TW514	<a href="#">See Charts</a>
	TW3032	TW816 <sup>S</sup>		TW3432	TW416 <sup>T</sup> TW516 <sup>S</sup>	
	TW3036	TW918 <sup>S</sup>		TW3436	TW418 <sup>T</sup> TW618 <sup>S</sup>	
	TW30310 (9/2017 - Present)	TW1020.35 <sup>S</sup>		TW34310 (9/2017 - Present)	Upper:TW720.35 <sup>S</sup> Upper:TW420.35 <sup>T</sup> Lower:TW720.35 <sup>S</sup> Lower:TW420.35 <sup>T</sup>	
	TW30310 (1992 - 8/2017)	TW1020 <sup>S</sup>		TW34310 (1992 - 8/2017)	TW420 <sup>T</sup> TW720 <sup>T</sup>	
	TW3042	TW1122 <sup>S</sup>		TW3442	TW922 <sup>S</sup>	
	TW3046 (4/2017 - Present)	Upper:TW724.35 <sup>S</sup> Lower:TW524.35 <sup>T</sup>		TW3446 (4/2017 - Present)	Upper:TW824.35 <sup>S</sup> Lower:TW524.35 <sup>T</sup>	
	TW3046 (1992 - 3/2017)	TW724 <sup>S</sup> TW524 <sup>T</sup>		TW3446 (1992 - 3/2017)	TW1024 <sup>S</sup>	
	TW30410	TW1226 <sup>S</sup>		TW34410	TW526 <sup>T</sup> TW926 <sup>S</sup>	
	TW3052	TW628 <sup>T</sup> TW728 <sup>S</sup>		TW3452	TW628 <sup>T</sup> TW928 <sup>S</sup>	
	TW3056 (4/2017 - Present)	Upper:TW724.35 <sup>S</sup> Upper:TW524.35 <sup>T</sup> Lower:TW830 <sup>S</sup> Lower:TW830 <sup>T</sup>		TW3456 (4/2017 - Present)	Upper:TW824.35 <sup>S</sup> Upper:TW524.35 <sup>T</sup> Lower:TW1030 <sup>S</sup> Lower:TW830 <sup>T</sup>	
	TW3056 (1992 - 3/2017)	Upper: TW524 <sup>T</sup> Upper: TW724 <sup>S</sup> Lower: TW830 <sup>T</sup> Lower: TW830 <sup>S</sup>		TW3456 (1992 - 3/2017)	Upper: TW524 <sup>T</sup> Upper: TW824 <sup>S</sup> Lower: TW830 <sup>T</sup> Lower: TW1030 <sup>S</sup>	
	TW3056E	TW630 <sup>T</sup> TW830 <sup>S</sup>		TW3456E	TW830 <sup>S</sup> TW830 <sup>T</sup>	
	TW30510	TW632 <sup>T</sup> TW932 <sup>S</sup>		TW34510	TW632 <sup>T</sup> TW1032 <sup>S</sup>	
	TW3062	TW734 <sup>T</sup> TW934 <sup>S</sup>		TW3462	TW734 <sup>T</sup> TW1034 <sup>S</sup>	
TW3072	TW840 <sup>T</sup> TW1040 <sup>S</sup>	TW3472	TW1040 <sup>S</sup> TW1040 <sup>T</sup>			
TW3076	TW942 <sup>T</sup> TW1042 <sup>S</sup>	TW3476	TW1142 <sup>T</sup> TW1042 <sup>S</sup>			

# 400 Series Tilt-Wash (TW) Windows (1992 to Present)

Standard Windows

## Sash Balancers

<b>BALANCER USAGE CHART 2 - TW UNITS (1992 - Present)</b>					
HP (3.0) HP Sun (3.0) HP SmartSun (3.0) HP Passive Sun (3.0) HP Tempered HP Sun Tempered HP SmartSun Tempered HP Passive Sun Tempered HP Obscure HP Sun Obscure HP SmartSun Obscure HP Passive Sun Obscure		HP Tempered Obscure HP Sun Obscure Tempered HP SmartSun Obscure Tempered HP Passive Sun Obscure Tempered HP Fern HP Sun Fern HP SmartSun Fern HP Passive Sun Fern HP Tempered Fern HP Sun Tempered Fern HP SmartSun Tempered Fern HP Passive Sun Tempered Fern			
		Upper and Lower Sash		Upper and Lower Sash	
Unit No.	Balancer	Order No.	Unit No.	Balancer	Order No.
<b>38</b>	TW38210	TW314 <sup>T</sup> TW614 <sup>S</sup>	<a href="#">See Charts</a>		
	TW3832	TW416 <sup>T</sup> TW616 <sup>S</sup>			
	TW3836	TW418 <sup>T</sup> TW718 <sup>S</sup>			
	TW38310 <i>(9/2017 - Present)</i>	Upper:TW820.35 <sup>S</sup> Upper:TW420.35 <sup>T</sup> Lower:TW820.35 <sup>S</sup> Lower:TW420.35 <sup>T</sup>			
	TW38310 <i>(1992 - 8/2017)</i>	TW420 <sup>T</sup> TW820 <sup>S</sup>			
	TW3842	TW522 <sup>T</sup> TW822 <sup>S</sup>			
	TW3846 <i>(4/2017 - Present)</i>	TW1024.35 <sup>S</sup> TW524.35 <sup>T</sup>			
	TW3846 <i>(1992 - 3/2017)</i>	TW524 <sup>T</sup> TW924 <sup>S</sup>			
	TW38410	TW526 <sup>T</sup> TW1026 <sup>S</sup>			
	TW3852	TW628 <sup>T</sup> TW1028 <sup>S</sup>			
	TW3856 <i>(4/2017 - Present)</i>	Upper:TW1024.35 <sup>S</sup> Upper:TW524.35 <sup>T</sup> Lower:TW1230 <sup>S</sup> Lower:TW830 <sup>T</sup>			
	TW3856 <i>(1992 - 3/2017)</i>	Upper: TW524 <sup>T</sup> Upper: TW924 <sup>S</sup> Lower: TW830 <sup>T</sup> Lower: TW1230 <sup>S</sup>			
	TW3856E	TW830 <sup>T</sup> TW930 <sup>S</sup>			
	TW38510	TW632 <sup>T</sup> TW1232 <sup>S</sup>			
	TW3862	TW734 <sup>T</sup> TW1234 <sup>S</sup>			
	TW3872	TW1140 <sup>T</sup> TW1140 <sup>S</sup>			
TW3876	TW1142 <sup>T</sup> TW1242 <sup>S</sup>				

## Sash Balancers

<b>BALANCER USAGE CHART 3 COTTAGE STYLE - TW UNITS (1992 - Present)</b>					
HP (2.2)					
HP Sun (2.2)					
HP SmartSun (2.2)					
HP Passive Sun (2.2)					
Unit No.		Upper Sash		Lower Sash	
		Balancer	Order No.	Balancer	Order No.
<b>18</b>	TW1832C	TW414	<a href="#">See Charts</a>	TW416	<a href="#">See Charts</a>
	TW1836C	TW414		TW518	
	TW18310C	TW416		TW520	
	TW1842C	TW418		TW522	
	TW1846C	TW520		TW624	
	TW18410C	TW520		TW626	
	TW1852C	TW522		TW728	
	TW1856C <i>(4/2017 - Present)</i>	TW524.35		TW730	
	TW1856C <i>(1992 - 3/2017)</i>	TW524		TW730	
	TW18510C	TW524		TW832	
TW1862C	TW626	TW834			
<b>20</b>	TW2032C	TW414	<a href="#">See Charts</a>	TW516	<a href="#">See Charts</a>
	TW2036C	TW414		TW618	
	TW20310C	TW516		TW620	
	TW2042C	TW518		TW622	
	TW2046C	TW520		TW724	
	TW20410C	TW520		TW826	
	TW2052C	TW622		TW828	
	TW2056C <i>(4/2017 - Present)</i>	TW624.35		TW830	
	TW2056C <i>(1992 - 3/2017)</i>	TW624		TW830	
	TW20510C	TW624		TW932	
TW2062C	TW726	TW934			
<b>24</b>	TW2432C	TW514	<a href="#">See Charts</a>	TW616	<a href="#">See Charts</a>
	TW2436C	TW514		TW718	
	TW24310C	TW516		TW720	
	TW2442C	TW618		TW722	
	TW2446C	TW620		TW824	
	TW24410C	TW620		TW926	
	TW2452C	TW722		TW928	
	TW2456C <i>(4/2017 - Present)</i>	TW724.35		TW1030	
	TW2456C <i>(1992 - 3/2017)</i>	TW724		TW1030	
	TW24510C	TW724		TW1132	
TW2462C	TW826	TW1134			



# 400 Series Tilt-Wash (TW) Windows (1992 to Present)

Standard Windows

## Sash Balancers

BALANCER USAGE CHART 3 COTTAGE STYLE - TW UNITS (1992 - Present)					
HP (2.2)					
HP Sun (2.2)					
HP SmartSun (2.2)					
HP Passive Sun (2.2)					
	Unit No.	Upper Sash		Lower Sash	
		Balancer	Order No.	Balancer	Order No.
<b>26</b>	TW2632C	TW514	<a href="#">See Charts</a>	TW616	<a href="#">See Charts</a>
	TW2636C	TW514		TW718	
	TW26310C	TW616		TW820	
	TW2642C	TW618		TW822	
	TW2646C	TW720		TW824	
	TW26410C	TW720		TW926	
	TW2652C	TW722		TW1028	
	TW2656C (4/2017 - Present)	TW824.35		TW1030	
	TW2656C (1992 - 3/2017)	TW824		TW1030	
	TW26510C	TW824		TW1132	
TW2662C	TW826	TW1234			
<b>28</b>	TW2832C	TW614	<a href="#">See Charts</a>	TW616	<a href="#">See Charts</a>
	TW2836C	TW614		TW718	
	TW28310C	TW616		TW820	
	TW2842C	TW718		TW922	
	TW2846C	TW720		TW924	
	TW28410C	TW720		TW1026	
	TW2852C	TW822		TW1128	
	TW2856C (4/2017 - Present)	TW824.35		TW1130	
	TW2856C (1992 - 3/2017)	TW824		TW1130	
	TW28510C	TW824		TW1232	
TW2862C	TW926	TW1334			
<b>210</b>	TW21032C	TW614	<a href="#">See Charts</a>	TW716	<a href="#">See Charts</a>
	TW21036C	TW614		TW818	
	TW210310C	TW616		TW920	
	TW21042C	TW718		TW922	
	TW21046C	TW820		TW1024	
	TW210410C	TW820		TW1126	
	TW21052C	TW822		TW1128	
	TW21056C (4/2017 - Present)	TW924.35		TW1230	
	TW21056C (1992 - 3/2017)	TW924		TW1230	
	TW210510C	TW924		TW1332	
TW21062C	TW926	TW1334			

## Sash Balancers

<b>BALANCER USAGE CHART 3 COTTAGE STYLE - TW UNITS (1992 - Present)</b>					
HP (2.2)					
HP Sun (2.2)					
HP SmartSun (2.2)					
HP Passive Sun (2.2)					
Unit No.		Upper Sash		Lower Sash	
		Balancer	Order No.	Balancer	Order No.
<b>30</b>	TW3032C	TW614	<a href="#">See Charts</a>	TW716	<a href="#">See Charts</a>
	TW3036C	TW614		TW818	
	TW30310C	TW716		TW920	
	TW3042C	TW718		TW1022	
	TW3046C	TW820		TW1024	
	TW30410C	TW820		TW1126	
	TW3052C	TW922		TW1228	
	TW3056C (4/2017 - Present)	TW924.35		TW1230	
	TW3056C (1992 - 3/2017)	TW924		TW1230	
	TW30510C	TW924		TW632 <sup>T</sup> TW832 <sup>S</sup>	
TW3062C	TW1026	TW1434			
<b>34</b>	TW3432C	TW714	<a href="#">See Charts</a>	TW816	<a href="#">See Charts</a>
	TW3436C	TW714		TW918	
	TW34310C	TW716		TW1020	
	TW3442C	TW818		TW1122	
	TW3446C	TW920		TW1124	
	TW34410C	TW920		TW526 <sup>T</sup> TW826 <sup>S</sup>	
	TW3452C	TW922		TW628 <sup>T</sup> TW728 <sup>S</sup>	
	TW3456C (4/2017 - Present)	TW1024.35		TW830 <sup>S</sup> TW630 <sup>T</sup>	
	TW3456C (1992 - 3/2017)	TW1024		TW630 <sup>T</sup> TW830 <sup>S</sup>	
	TW34510C	TW1024		TW632 <sup>T</sup> TW932 <sup>S</sup>	
TW3462C	TW1126	TW734 <sup>T</sup> TW934 <sup>S</sup>			
<b>38</b>	TW3832C	TW714	<a href="#">See Charts</a>	TW416 <sup>T</sup> TW516 <sup>S</sup>	<a href="#">See Charts</a>
	TW3836C	TW714		TW418 <sup>T</sup> TW618 <sup>S</sup>	
	TW38310C	TW816		TW420 <sup>T</sup> TW720 <sup>S</sup>	
	TW3842C	TW918		TW522 <sup>T</sup> TW722 <sup>S</sup>	
	TW3846C	TW1020		TW524 <sup>T</sup> TW724 <sup>S</sup>	
	TW38410C	TW1020		TW526 <sup>T</sup> TW926 <sup>S</sup>	
	TW3852C	TW1022		TW628 <sup>T</sup> TW928 <sup>S</sup>	
	TW3856C (4/2017 - Present)	TW1124.35		TW830 <sup>T</sup> TW730 <sup>S</sup>	
	TW3856C (1992 - 3/2017)	TW1124		TW730 <sup>S</sup> TW830 <sup>T</sup>	
	TW38510C	TW1124		TW632 <sup>T</sup> TW1132 <sup>S</sup>	
TW3862C	TW1226	TW734 <sup>T</sup> TW1034 <sup>S</sup>			

# 400 Series Tilt-Wash (TW) Windows (1992 to Present)

Standard Windows

## Sash Balancers

<b>BALANCER USAGE CHART 4 COTTAGE STYLE - TW UNITS (1992 - Present)</b>					
HP (3.0) HP Sun (3.0) HP SmartSun (3.0) HP Passive Sun (3.0) HP Tempered HP Sun Tempered					
	Unit No.	Upper Sash		Lower Sash	
		Balancer	Order No.	Balancer	Order No.
<b>18</b>	TW1832C	TW414	<a href="#">See Charts</a>	TW516	<a href="#">See Charts</a>
	TW1836C	TW414		TW618	
	TW18310C	TW516		TW620	
	TW1842C	TW518		TW722	
	TW1846C	TW620		TW724	
	TW18410C	TW620		TW826	
	TW1852C	TW622		TW828	
	TW1856C (4/2017 - Present)	TW724.35		TW930	
	TW1856C (1992 - 3/2017)	TW724		TW930	
	TW18510C	TW724		TW1032	
	TW1862C	TW726		TW1034	
<b>20</b>	TW2032C	TW514	<a href="#">See Charts</a>	TW616	<a href="#">See Charts</a>
	TW2036C	TW514		TW718	
	TW20310C	TW616		TW820	
	TW2042C	TW618		TW822	
	TW2046C	TW720		TW924	
	TW20410C	TW720		TW1026	
	TW2052C	TW722		TW1028	
	TW2056C (4/2017 - Present)	TW824.35		TW1130	
	TW2056C (1992 - 3/2017)	TW824		TW1130	
	TW20510C	TW824		TW1232	
	TW2062C	TW826		TW1234	
<b>24</b>	TW2432C	TW614	<a href="#">See Charts</a>	TW716	<a href="#">See Charts</a>
	TW2436C	TW614		TW818	
	TW24310C	TW716		TW920	
	TW2442C	TW718		TW922	
	TW2446C	TW820		TW1024	
	TW24410C	TW820		TW1126	
	TW2452C	TW822		TW1228	
	TW2456C (4/2017 - Present)	TW924.35		TW1230	
	TW2456C (1992 - 3/2017)	TW924		TW1230	
	TW24510C	TW924		TW632 <sup>T</sup> TW832 <sup>S</sup>	
	TW2462C	TW1026		TW1434	

## Sash Balancers

### BALANCER USAGE CHART 4 COTTAGE STYLE - TW UNITS (1992 - Present)

HP (3.0)  
 HP Sun (3.0)  
 HP SmartSun (3.0)  
 HP Passive Sun (3.0)  
 HP Tempered  
 HP Sun Tempered

Unit No.		Upper Sash		Lower Sash	
		Balancer	Order No.	Balancer	Order No.
<b>26</b>	TW2632C	TW614	<a href="#">See Charts</a>	TW816	<a href="#">See Charts</a>
	TW2636C	TW614		TW918	
	TW26310C	TW716		TW1020	
	TW2642C	TW818		TW1022	
	TW2646C	TW820		TW1124	
	TW26410C	TW820		TW1226	
	TW2652C	TW922		TW628 <sup>T</sup> TW728 <sup>S</sup>	
	TW2656C (4/2017 - Present)	TW1024.35		TW630 <sup>T</sup> TW730 <sup>S</sup>	
	TW2656C (1992 - 3/2017)	TW1024		TW630 <sup>T</sup> TW730 <sup>S</sup>	
	TW26510C	TW1024		TW632 <sup>T</sup> TW932 <sup>S</sup>	
	TW2662C	TW1026		TW734 <sup>T</sup> TW834 <sup>S</sup>	

# 400 Series Tilt-Wash (TW) Windows (1992 to Present)

Standard Windows

## Sash Balancers

BALANCER USAGE CHART 4 COTTAGE STYLE - TW UNITS (1992 - Present)					
HP (3.0) HP Sun (3.0) HP SmartSun (3.0) HP Passive Sun (3.0) HP Tempered HP Sun Tempered					
	Unit No.	Upper Sash		Lower Sash	
		Balancer	Order No.	Balancer	Order No.
<b>28</b>	TW2832C	TW714	<a href="#">See Charts</a>	TW816	<a href="#">See Charts</a>
	TW2836C	TW714		TW418 <sup>T</sup> TW618 <sup>S</sup>	
	TW28310C	TW816		TW1020	
	TW2842C	TW818		TW1122	
	TW2846C	TW920		TW524 <sup>T</sup> TW724 <sup>S</sup>	
	TW28410C	TW920		TW526 <sup>T</sup> TW826 <sup>S</sup>	
	TW2852C	TW1022		TW628 <sup>T</sup> TW828 <sup>S</sup>	
	TW2856C <i>(4/2017 - Present)</i>	TW1124.35		TW630 <sup>T</sup> TW830 <sup>S</sup>	
	TW2856C <i>(1992 - 3/2017)</i>	TW1024		TW630 <sup>T</sup> TW830 <sup>S</sup>	
	TW28510C	TW1024		TW632 <sup>T</sup> TW1032 <sup>S</sup>	
	TW2862C	TW1126		TW734 <sup>T</sup> TW934 <sup>S</sup>	
<b>210</b>	TW21032C	TW714	<a href="#">See Charts</a>	TW416 <sup>T</sup> TW516 <sup>S</sup>	<a href="#">See Charts</a>
	TW21036C	TW714		TW418 <sup>T</sup> TW618 <sup>S</sup>	
	TW21031C	TW816		TW420 <sup>T</sup> TW720 <sup>S</sup>	
	TW21042C	TW918		TW522 <sup>T</sup> TW722 <sup>S</sup>	
	TW21046C	TW1020		TW524 <sup>T</sup> TW724 <sup>S</sup>	
	TW21041C	TW1020		TW526 <sup>T</sup> TW926 <sup>S</sup>	
	TW21052C	TW1022		TW628 <sup>T</sup> TW928 <sup>S</sup>	
	TW21056C <i>(4/2017 - Present)</i>	TW1124.35		TW830 <sup>T</sup> TW730 <sup>S</sup>	
	TW21056C <i>(1992 - 3/2017)</i>	TW1124		TW730 <sup>S</sup> TW830 <sup>T</sup>	
	TW210510C	TW1124		TW632 <sup>T</sup> TW1132 <sup>S</sup>	
	TW21062C	TW1226		TW734 <sup>T</sup> & TW1034 <sup>S</sup>	

## Sash Balancers

<b>BALANCER USAGE CHART 4 COTTAGE STYLE - TW UNITS (1992 - Present)</b>					
HP (3.0) HP Sun (3.0) HP SmartSun (3.0) HP Passive Sun (3.0) HP Tempered HP Sun Tempered					
Unit No.	Upper Sash		Lower Sash		
	Balancer	Order No.	Balancer	Order No.	
<b>30</b>	TW3032C	TW314 <sup>T</sup> TW514 <sup>S</sup>	<a href="#">See Charts</a>	TW416 <sup>T</sup> TW516 <sup>S</sup>	<a href="#">See Charts</a>
	TW3036C	TW314 <sup>T</sup> TW514 <sup>S</sup>		TW418 <sup>T</sup> TW718 <sup>S</sup>	
	TW30310C	TW816		TW420 <sup>T</sup> TW820 <sup>S</sup>	
	TW3042C	TW918		TW522 <sup>T</sup> TW722 <sup>S</sup>	
	TW3046C	TW1020		TW524 <sup>T</sup> TW824 <sup>S</sup>	
	TW30410C	TW1020		TW526 <sup>T</sup> TW1026 <sup>S</sup>	
	TW3052C	TW1122		TW628 <sup>T</sup> TW928 <sup>S</sup>	
	TW3056C <i>(4/2017 - Present)</i>	TW724.35 <sup>S</sup> TW524.35 <sup>T</sup>		TW830 <sup>T</sup> TW830 <sup>S</sup>	
	TW3056C <i>(1992 - 3/2017)</i>	TW524 <sup>T</sup> TW724 <sup>S</sup>		TW830 <sup>T</sup> TW830 <sup>S</sup>	
	TW30510C	TW524 <sup>T</sup> TW724 <sup>S</sup>		TW632 <sup>T</sup> TW1232 <sup>S</sup>	
TW3062C	TW1226	TW734 <sup>T</sup> TW1234 <sup>S</sup>			
<b>34</b>	TW3432C	TW314 <sup>T</sup> TW514 <sup>S</sup>	<a href="#">See Charts</a>	TW416 <sup>T</sup> TW616 <sup>S</sup>	<a href="#">See Charts</a>
	TW3436C	TW314 <sup>T</sup> TW514 <sup>S</sup>		TW418 <sup>T</sup> TW818 <sup>S</sup>	
	TW34310C	TW416 <sup>T</sup> TW516 <sup>S</sup>		TW420 <sup>T</sup> TW920 <sup>S</sup>	
	TW3442C	TW418 <sup>T</sup> TW618 <sup>S</sup>		TW522 <sup>T</sup> TW922 <sup>S</sup>	
	TW3446C	TW420 <sup>T</sup> TW720 <sup>S</sup>		TW524 <sup>T</sup> TW1024 <sup>S</sup>	
	TW34410C	TW420 <sup>T</sup> TW720 <sup>S</sup>		TW526 <sup>T</sup> TW1126 <sup>S</sup>	
	TW3452C	TW522 <sup>T</sup> TW722 <sup>S</sup>		TW628 <sup>T</sup> TW1128 <sup>S</sup>	
	TW3456C <i>(4/2017 - Present)</i>	TW824.35 <sup>S</sup> TW524.35 <sup>T</sup>		TW830 <sup>T</sup> TW1030 <sup>S</sup>	
	TW3456C <i>(1992 - 3/2017)</i>	TW524 <sup>T</sup> TW824 <sup>S</sup>		TW830 <sup>T</sup> TW1030 <sup>S</sup>	
	TW34510C	TW524 <sup>T</sup> TW824 <sup>S</sup>		TW732 <sup>S</sup> TW1332 <sup>T</sup>	
TW3462C	TW526 <sup>T</sup> TW926 <sup>S</sup>	TW734 <sup>T</sup> TW1434 <sup>S</sup>			
<b>38</b>	TW3832C	TW314 <sup>T</sup> TW614 <sup>S</sup>	<a href="#">See Charts</a>	TW416 <sup>T</sup> TW716 <sup>S</sup>	<a href="#">See Charts</a>
	TW3836C	TW314 <sup>T</sup> TW614 <sup>S</sup>		TW418 <sup>T</sup> TW918 <sup>S</sup>	
	TW38310C	TW416 <sup>T</sup> TW616 <sup>S</sup>		TW420 <sup>T</sup> TW1020 <sup>S</sup>	
	TW3842C	TW418 <sup>T</sup> TW718 <sup>S</sup>		TW522 <sup>T</sup> TW1022 <sup>S</sup>	
	TW3846C	TW420 <sup>T</sup> TW820 <sup>S</sup>		TW524 <sup>T</sup> TW1124 <sup>S</sup>	
	TW38410C	TW420 <sup>T</sup> TW820 <sup>S</sup>		TW826 <sup>S</sup> TW1026 <sup>T</sup>	
	TW3852C	TW522 <sup>T</sup> TW822 <sup>S</sup>		TW828 <sup>S</sup> TW1128 <sup>T</sup>	
	TW3856C <i>(4/2017 - Present)</i>	TW524.35 <sup>T</sup> TW1024.35 <sup>S</sup>		TW830 <sup>T</sup> TW1230 <sup>S</sup>	
	TW3856C <i>(1992 - 3/2017)</i>	TW524 <sup>T</sup> TW924 <sup>S</sup>		TW830 <sup>T</sup> TW1230 <sup>S</sup>	
	TW38510C	TW524 <sup>T</sup> TW924 <sup>S</sup>		TW932 <sup>S</sup> TW1332 <sup>T</sup>	
TW3862C	TW526 <sup>T</sup> TW1026 <sup>S</sup>	TW934 <sup>S</sup> TW1434 <sup>T</sup>			

# 400 Series Tilt-Wash (TW) Windows (1992 to Present)

Standard Windows

## Sash Balancers

### Balancers - Block and Tackle with Shoe

**Note:**

Order quantity of two when ordering replacements for a unit manufactured prior to November of 2016.  
See [Service Guide 0005176](#) for balancer replacement. See [Balancer Replacement Video](#).

### Balancer - Block and Tackle with Shoe

Balancer No.	Order No.	Balancer No.	Order No.	Balancer No.	Order No.	Balancer No.	Order No.	Balancer No.	Order No.	Balancer No.	Order No.
TW310	9151976	TW520.35	9169121	TW712	9151928	TW840	9152236	TW1124	9152210	TW1428	9152226
TW312	9151916	TW522	9152197	TW714	9152184	TW842	9152237	TW1124.35	9160191	TW1430	9160270
TW314	9152180	TW524	9152204	TW716	9152188	TW918	9152153	TW1124.5	-	TW1434	9152179
TW316	9152292	TW524.35	9160185	TW718	9152151	TW920	9152195	TW1124.6	9160201	TW1435	9160271
TW318	9160122	TW524.5	-	TW720	9152193	TW920.35	9169126	TW1125	9151946	TW1436	9160275
TW320	9160123	TW524.6	9160195	TW720.35	9169123	TW922	9152201	TW1126	9152160	TW1436.35	9160223
TW320.35	9169125	TW525	9151920	TW722	9152199	TW924	9152208	TW1128	9152216	TW1436.5	9160276
TW322	9160124	TW526	9152154	TW724	9152206	TW924.35	9160189	TW1130	9152167	TW1437	9151955
TW324.35	9160183	TW528	9160146	TW724.35	9160187	TW924.5	-	TW1132	9152174	TW1438	9160275
TW324.5	-	TW530	9160147	TW724.5	-	TW924.6	9160199	TW1134	9152177	TW1440	9152234
TW324.6	9160193	TW532	9160148	TW724.6	9160197	TW925	9151938	TW1136	9152251	TW1442	9152235
TW325	9160129	TW534	9160149	TW725	9151930	TW926	9152158	TW1136.35	9160220	TW1436.5	9160276
TW326	9160130	TW536	9152245	TW726	9152156	TW928	9152214	TW1136.5	9151947	TW1437	9160277
TW410	9151977	TW536.35	9160214	TW728	9152212	TW930	9152165	TW1137	9151948	TW1438	9160278
TW412	9151917	TW536.5	9151921	TW730	9152163	TW932	9152172	TW1138	9160216	TW1532	9160272
TW414	9152181	TW537	9151922	TW732	9152170	TW934	9152220	TW1140	9152228	TW1534	9160273
TW416	9152185	TW538	9160151	TW734	9152218	TW936	9152249	TW1142	9152229	TW1540	9160279
TW418	9152148	TW540	9160152	TW736	9152247	TW936.35	9160218	TW1224	9160265	TW1634	9160274
TW420	9152190	TW542	9160153	TW736.35	9160216	TW936.5	9151939	TW1224.35	9160192		
TW420.35	9169119	TW610	9151979	TW736.5	9151931	TW937	9151940	TW1224.5	-		
TW422	9160131	TW612	9151923	TW737	9151932	TW938	9160198	TW1224.6	9160202		
TW424	9160132	TW614	9152183	TW738	9160190	TW940	9152238	TW1225	9151949		
TW424.35	9160184	TW616	9152187	TW740	9152223	TW942	9152239	TW1226	9152161		
TW424.5	-	TW618	9152150	TW742	9152224	TW1020	9152196	TW1228	9152217		
TW424.6	9160194	TW620	9152192	TW816	9152189	TW1020.35	9169127	TW1230	9152168		
TW425	9152294	TW620.35	9169122	TW818	9152152	TW1022	9152202	TW1232	9152175		
TW426	9160135	TW622	9152198	TW820	9152194	TW1024	9152209	TW1234	9152222		
TW428	9160136	TW624	9152205	TW820.35	9169124	TW1024.35	9160190	TW1236	9152252		
TW430	9160137	TW624.35	9160186	TW822	9152200	TW1024.5	-	TW1236.35	9160221		
TW432	9160138	TW624.5	-	TW824	9152207	TW1024.6	9160200	TW1238	9160222		
TW434	9160139	TW624.6	9160155	TW824.35	9160188	TW1025	9151942	TW1240	9152230		
TW436	9152244	TW625	9151925	TW824.5	-	TW1026	9152159	TW1242	9152231		
TW436.35	9160213	TW626	9152155	TW824.6	9160198	TW1028	9152215	TW1326	9160267		
TW436.5	9152295	TW628	9152211	TW825	9151934	TW1030	9152166	TW1328	9160268		
TW437	9152296	TW630	9152162	TW826	9152157	TW1032	9152173	TW1330	9160269		
TW438	9160141	TW632	9152169	TW828	9152213	TW1034	9152221	TW1332	9152176		
TW440	9160142	TW634	9160156	TW830	9152164	TW1036	9152250	TW1334	9152178		
TW442	9160143	TW636	9152246	TW832	9152171	TW1036.35	9160219	TW1336	9152253		
TW510	9151978	TW636.35	9160215	TW834	9152219	TW1036.5	9151943	TW1336.35	9160222		
TW512	9151918	TW636.5	9151926	TW836	9152248	TW1037	9151944	TW1336.5	9151952		
TW514	9152182	TW637	9151927	TW836.35	9160217	TW1038	9160202	TW1337	9151953		
TW516	9152186	TW640	9160185	TW836.5	9151935	TW1040	9152225	TW1338	9160268		
TW518	9152149	TW642	9160186	TW837	9151936	TW1042	9152227	TW1340	9152232		
TW520	9152191	TW710	9151980	TW838	9160194	TW1122	9152203	TW1342	9152233		

## Sash Balancers

### Balancers - Block and Tackle with Tab

**Note:**

See [Service Guide 0005176](#) for balancer replacement. See [Balancer Replacement Video](#).

#### Balancer - Block and Tackle with Tab

Balancer No.	Order No.	Balancer No.	Order No.	Balancer No.	Order No.	Balancer No.	Order No.	Balancer No.	Order No.
TW310	9151981	TW636.35	9160224	TW842	9051528	TW1136.35	9160226	TW1432	9160113
TW312	9151956	TW632	1625720	TW918	9160107	TW1136.5	9151968	TW1434	1625723
TW314	1625701	TW636	9152254	TW920	9160108	TW1137	9151969	TW1436.35	9160229
TW416	1625703	TW638	9160116	TW924	1625712	TW1138	9160118	TW1436.5	9159448
TW418	1625705	TW636.5	9151960	TW924.35	9160204	TW1128	1625716	TW1437	9151975
TW420	1625707	TW637	9151961	TW924.5	9151964	TW1142	9051517	TW1438	9160121
TW420.35	9169120	TW718	1625706	TW924.6	9160208	TW1225	9160264	TW1532	9160114
TW522	1625709	TW734	1625722	TW942	9051531	TW1228	9160110	TW1632	9160115
TW524	1625711	TW740	9051532	TW1020	9160182	TW1230	1625719		
TW524.35	9160203	TW742	9051524	TW1024	9160109	TW1236.35	9160227		
TW524.5	9151957	TW820	1625708	TW1024.35	9160205	TW1236.5	9159437		
TW524.6	9160207	TW820.35	9169125	TW1024.6	9160209	TW1237	9151971		
TW525	9151958	TW822	1625710	TW1025	9151965	TW1238	9160119		
TW526	1625713	TW830	1625718	TW1026	1625714	TW1328	9160111		
TW610	9151982	TW836	9152255	TW1036.5	9159427	TW1330	9160112		
TW614	1625702	TW836.35	9160225	TW1037	9151967	TW1332	1625721		
TW612	9151959	TW836.5	9151962	TW1040	9051512	TW1336.35	9160228		
TW616	1625704	TW837	9151963	TW1042	9051514	TW1336.5	9159442		
TW628	1625715	TW838	9160117	TW1124.35	9160206	TW1337	9151973		
TW630	1625717	TW840	9051526	TW1124.6	9160210	TW1338	9160120		

### Balancer Parts

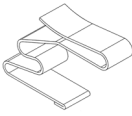
#### Shoe - Balancer

**Note:**

See [Service Guide 0005176](#) for shoe replacement.

		<b>Order No.</b>
		9152082

#### Spring Clip - Balancer

	<b>Order No.</b>
	9045100

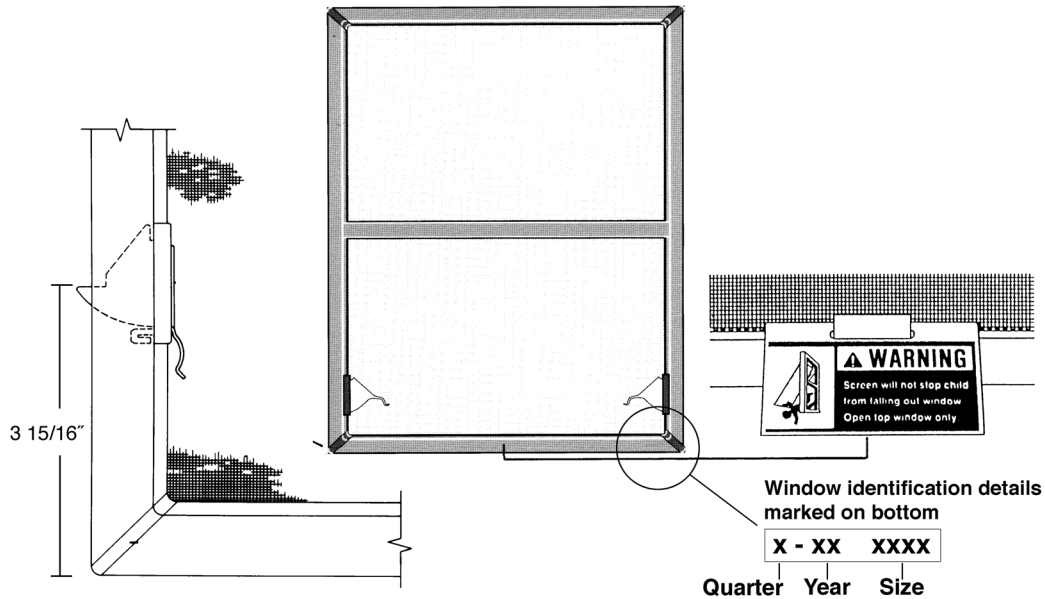


# 400 Series Tilt-Wash (TW) Windows (1992 to Present)

Standard Windows

## Insect Screens

### Insect Screens - Full / Even / TruScene®



Tilt-Wash (DC) and Tilt-Wash II (TW) Full Insect Screen

### Insect Screen - Full / Equal / TruScene®

Unit No.	Dimensions (w x h)	White	Terra-tone®	Sandtone	Forest Green	Canvas	Dark Bronze	Black	
<b>18</b>	<b>18210</b>	19 7/8 x 34 27/32	1634603	2712203	1103401	0300303	9047903	9073254	9128596
	<b>1832</b>	19 7/8 x 38 27/32	1634604	2712204	1103402	0300304	9047904	9073255	9128597
	<b>1836</b>	19 7/8 x 42 27/32	1634660	2712260	1103550	0300360	9047959	9073310	9128652
	<b>18310</b>	19 7/8 x 46 27/32	1634605	2712205	1103403	0300305	9047905	9073256	9128598
	<b>1842</b>	19 7/8 x 50 27/32	1634606	2712206	1103404	0300306	9047906	9073257	9128599
	<b>1846</b>	19 7/8 x 54 27/32	1634607	2712207	1103405	0300307	9047907	9073258	9128600
	<b>18410</b>	19 7/8 x 58 27/32	1634661	2712261	1103551	0300361	9047960	9073311	9128653
	<b>1852</b>	19 7/8 x 62 27/32	1634608	2712208	1103406	0300308	9047908	9073259	9128601
	<b>1856E</b>	19 7/8 x 66 27/32	1634757	2712361	1103861	0300401	9047998	9073349	9128691
	<b>18510</b>	19 7/8 x 70 27/32	1634662	2712262	1103552	0300362	9047961	9073312	9128654
	<b>1862</b>	19 7/8 x 74 27/32	1634610	2712210	1103408	0300310	9047910	9073261	9128603
	<b>1872</b>	19 7/8 x 86 27/32	1634758	2712392	1101592	0300240	9047881	9073232	9128574
<b>1876</b>	19 7/8 x 90 27/32	1634759	2712393	1101593	0300241	9047882	9073233	9128575	

## Insect Screens

Insect Screen - Full / Equal / TruScene®									
Unit No.	Dimensions (w x h)	White	Terra-tone®	Sandtone	Forest Green	Canvas	Dark Bronze	Black	
<b>20</b>	<b>20210</b>	23 7/8 x 34 27/32	1634611	2712211	1103409	0300311	9047911	9073262	9128604
	<b>2032</b>	23 7/8 x 38 27/32	1634612	2712212	1103410	0300312	9047912	9073263	9128605
	<b>2036</b>	23 7/8 x 42 27/32	1634663	2712263	1103553	0300363	9047962	9073313	9128655
	<b>20310</b>	23 7/8 x 46 27/32	1634613	2712213	1103411	0300313	9047913	9073264	9128606
	<b>2042</b>	23 7/8 x 50 27/32	1634614	2712214	1103412	0300314	9047914	9073265	9128607
	<b>2046</b>	23 7/8 x 54 27/32	1634615	2712215	1103413	0300315	9047915	9073266	9128608
	<b>20410</b>	23 7/8 x 58 27/32	1634664	2712264	1103554	0300364	9047963	9073314	9128656
	<b>2052</b>	23 7/8 x 62 27/32	1634616	2712216	1103414	0300316	9047916	9073267	9128609
	<b>2056E</b>	23 7/8 x 66 27/32	1634760	2712362	1103862	0300402	9047999	9073350	9128692
	<b>20510</b>	23 7/8 x 70 27/32	1634665	2712265	1103555	0300365	9047964	9073315	9128657
	<b>2062</b>	23 7/8 x 74 27/32	1634618	2712218	1103416	0300318	9047918	9073269	9128611
	<b>2072</b>	23 7/8 x 86 27/32	1634761	2712394	1101594	0300242	9047883	9073234	9128576
<b>2076</b>	23 7/8 x 90 27/32	1634762	2712395	1101595	0300243	9047884	9073235	9128577	
<b>24</b>	<b>24210</b>	27 7/8 x 34 27/32	1634619	2712219	1103417	0300319	9047919	9073270	9128612
	<b>2432</b>	27 7/8 x 38 27/32	1634620	2712220	1103418	0300320	9047920	9073271	9128613
	<b>2436</b>	27 7/8 x 42 27/32	1634666	2712266	1103556	0300366	9047965	9073316	9128658
	<b>24310</b>	27 7/8 x 46 27/32	1634621	2712221	1103419	0300321	9047921	9073272	9128614
	<b>2442</b>	27 7/8 x 50 27/32	1634622	2712222	1103420	0300322	9047922	9073273	9128615
	<b>2446</b>	27 7/8 x 54 27/32	1634623	2712223	1103421	0300323	9047923	9073274	9128616
	<b>24410</b>	27 7/8 x 58 27/32	1634667	2712267	1103557	0300367	9047966	9073317	9128659
	<b>2452</b>	27 7/8 x 62 27/32	1634624	2712224	1103422	0300324	9047924	9073275	9128617
	<b>2456E</b>	27 7/8 x 66 27/32	1634763	2712363	1103863	0300403	9048000	9073351	9128693
	<b>24510</b>	27 7/8 x 70 27/32	1634668	2712268	1103558	0300368	9047967	9073318	9128660
	<b>2462</b>	27 7/8 x 74 27/32	1634626	2712226	1103424	0300326	9047926	9073277	9128619
	<b>2466</b>	27 7/8 x 78 27/32	OBD	OBD	OBD	OBD	OBD	OBD	OBD
	<b>2472</b>	27 7/8 x 86 27/32	1634764	2712396	1101596	0300244	9047885	9073236	9128578
<b>2476</b>	27 7/8 x 90 27/32	1634765	2712397	1101597	0300245	9047886	9073237	9128579	
<b>26</b>	<b>26210</b>	29 7/8 x 34 27/32	1634669	2712269	1103559	0300369	9047968	9073319	9128661
	<b>2632</b>	29 7/8 x 38 27/32	1634670	2712270	1103560	0300370	9047969	9073320	9128662
	<b>2636</b>	29 7/8 x 42 27/32	1634671	2712271	1103561	0300371	9047970	9073321	9128663
	<b>26310</b>	29 7/8 x 46 27/32	1634672	2712272	1103562	0300372	9047971	9073322	9128664
	<b>2642</b>	29 7/8 x 50 27/32	1634673	2712273	1103563	0300373	9047972	9073323	9128665
	<b>2646</b>	29 7/8 x 54 27/32	1634674	2712274	1103564	0300374	9047973	9073324	9128666
	<b>26410</b>	29 7/8 x 58 27/32	1634675	2712275	1103565	0300375	9047974	9073325	9128667
	<b>2652</b>	29 7/8 x 62 27/32	1634676	2712276	1103566	0300376	9047975	9073326	9128668
<b>2656E</b>	29 7/8 x 66 27/32	1634766	2712364	1103864	0300404	9048001	9073352	9128694	

## 400 Series Tilt-Wash (TW) Windows (1992 to Present)

Standard Windows

### Insect Screens

Insect Screen - Full / Equal / TruScene®									
Unit No.		Dimensions (w x h)	White	Terra- tone®	Sandtone	Forest Green	Canvas	Dark Bronze	Black
<b>26</b>	<b>26510</b>	29 7/8 × 70 27/32	1634678	2712278	1103568	0300378	9047977	9073328	9128670
	<b>2662</b>	29 7/8 × 74 27/32	1634679	2712279	1103569	0300379	9047978	9073329	9128671
	<b>2672</b>	29 7/8 × 86 27/32	1611296	2712398	1101598	0300246	9047887	9073238	9128580
	<b>2676</b>	29 7/8 × 90 27/32	1611297	2712399	1101599	0300247	9047888	9073239	9128581
<b>28</b>	<b>2828</b>	31 7/8 × 32 27/32	OBD	OBD	OBD	OBD	OBD	OBD	OBD
	<b>28210</b>	31 7/8 × 34 27/32	1634628	2712227	1103425	0300327	9047927	9073278	9128620
	<b>2832</b>	31 7/8 × 38 27/32	1634629	2712228	1103426	0300328	9047928	9073279	9128621
	<b>2836</b>	31 7/8 × 42 27/32	1634680	2712280	1103570	0300380	9047979	9073330	9128672
	<b>28310</b>	31 7/8 × 46 27/32	1634630	2712229	1103427	0300329	9047929	9073280	9128622
	<b>2842</b>	31 7/8 × 50 27/32	1634631	2712230	1103428	0300330	9047930	9073281	9128623
	<b>2846</b>	31 7/8 × 54 27/32	1634632	2712231	1103429	0300331	9047931	9073282	9128624
	<b>28410</b>	31 7/8 × 58 27/32	1634681	2712281	1103571	0300381	9047980	9073331	9128673
	<b>2852</b>	31 7/8 × 62 27/32	1634633	2712232	1103430	0300332	9047932	9073283	9128625
	<b>2856E</b>	31 7/8 × 66 27/32	1634767	2712365	1103865	0300405	9048002	9073353	9128695
	<b>28510</b>	31 7/8 × 70 27/32	1634682	2712282	1103572	0300382	9047981	9073332	9128674
	<b>2862</b>	31 7/8 × 74 27/32	1634635	2712234	1103432	0300334	9047934	9073285	9128627
	<b>2872</b>	31 7/8 × 86 27/32	1634768	2712401	1102201	0300248	9047889	9073240	9128582
<b>2876</b>	31 7/8 × 90 27/32	1634769	2712402	1102202	0300249	9047890	9073241	9128583	
<b>210</b>	<b>210210</b>	33 7/8 × 34 27/32	1634683	2712283	1103573	0300383	9047982	9073333	9128675
	<b>21032</b>	33 7/8 × 38 27/32	1634684	2712284	1103574	0300384	9047983	9073334	9128676
	<b>21036</b>	33 7/8 × 42 27/32	1634685	2712285	1103575	0300385	9047984	9073335	9128677
	<b>210310</b>	33 7/8 × 46 27/32	1634686	2712286	1103576	0300386	9047985	9073336	9128678
	<b>21042</b>	33 7/8 × 50 27/32	1634687	2712287	1103577	0300387	9047986	9073337	9128679
	<b>21046</b>	33 7/8 × 54 27/32	1634688	2712288	1103578	0300388	9047987	9073338	9128680
	<b>210410</b>	33 7/8 × 58 27/32	1634689	2712289	1103579	0300389	9047988	9073339	9128681
	<b>21052</b>	33 7/8 × 62 27/32	1634690	2712290	1103580	0300390	9047989	9073340	9128682
	<b>21056E</b>	33 7/8 × 66 27/32	1634770	2712366	1103866	0300406	9048003	9073354	9128696
	<b>210510</b>	33 7/8 × 70 27/32	1634692	2712292	1103582	0300392	9047991	9073342	9128684
	<b>21062</b>	33 7/8 × 74 27/32	1634694	2712294	1103584	0300394	9047992	9073343	9128685
	<b>21072</b>	33 7/8 × 86 27/32	1611298	2712409	1102209	0300256	9047897	9073248	9128590
<b>21076</b>	33 7/8 × 90 27/32	1611299	2712410	1102210	0300257	9047898	9073249	9128591	

## Insect Screens

Insect Screen - Full / Equal / TruScene®									
Unit No.	Dimensions (w x h)	White	Terra-tone®	Sandtone	Forest Green	Canvas	Dark Bronze	Black	
<b>30</b>	<b>30210</b>	35 7/8 × 34 27/32	1634636	2712235	1103433	0300335	9047935	9073286	9128628
	<b>3032</b>	35 7/8 × 38 27/32	1634637	2712236	1103434	0300336	9047936	9073287	9128629
	<b>3036</b>	35 7/8 × 42 27/32	1634695	2712295	1103585	0300395	9047993	9073344	9128686
	<b>30310</b>	35 7/8 × 46 27/32	1634638	2712237	1103435	0300337	9047937	9073288	9128630
	<b>3042</b>	35 7/8 × 50 27/32	1634639	2712238	1103436	0300338	9047938	9073289	9128631
	<b>3046</b>	35 7/8 × 54 27/32	1634640	2712239	1103437	0300339	9047939	9073290	9128632
	<b>3048</b>	35 7/8 × 56 27/32	OBD	OBD	OBD	OBD	OBD	OBD	OBD
	<b>30410</b>	35 7/8 × 58 27/32	1634696	2712296	1103586	0300396	9047994	9073345	9128687
	<b>3052</b>	35 7/8 × 62 27/32	1634641	2712240	1103438	0300340	9047940	9073291	9128633
	<b>3056E</b>	35 7/8 × 66 27/32	1634771	2712367	1103867	0300407	9048004	9073355	9128697
	<b>30510</b>	35 7/8 × 70 27/32	1634697	2712297	1103587	0300397	9047995	9073346	9128688
	<b>3062</b>	35 7/8 × 74 27/32	1634643	2712242	1103440	0300342	9047942	9073293	9128635
	<b>3072</b>	35 7/8 × 86 27/32	1634772	2712403	1102203	0300250	9047891	9073242	9128584
	<b>3076</b>	35 7/8 × 90 27/32	1634773	2712404	1102204	0300251	9047892	9073243	9128585
<b>34</b>	<b>34210</b>	39 7/8 × 34 27/32	1634644	2712243	1103441	0300343	9047943	9073294	9128636
	<b>3432</b>	39 7/8 × 38 27/32	1634645	2712244	1103442	0300344	9047944	9073295	9128637
	<b>3436</b>	39 7/8 × 42 27/32	1634698	2712298	1103588	0300398	9047996	9073347	9128689
	<b>34310</b>	39 7/8 × 46 27/32	1634646	2712245	1103443	0300345	9047945	9073296	9128638
	<b>3442</b>	39 7/8 × 50 27/32	1634647	2712246	1103444	0300346	9047946	9073297	9128639
	<b>3446</b>	39 7/8 × 54 27/32	1634648	2712247	1103445	0300347	9047947	9073298	9128640
	<b>34410</b>	39 7/8 × 58 27/32	1634699	2712299	1103589	0300399	9047997	9073348	9128690
	<b>3452</b>	39 7/8 × 62 27/32	1634649	2712248	1103446	0300348	9047948	9073299	9128641
	<b>3456E</b>	39 7/8 × 66 27/32	1634774	2712368	1103868	0300408	9048005	9073356	9128698
	<b>34510</b>	39 7/8 × 70 27/32	1611896	2710296	1103590	0300296	9047899	9073250	9128592
	<b>3462</b>	39 7/8 × 74 27/32	1634651	2712250	1103448	0300350	9047950	9073301	9128643
	<b>3472</b>	39 7/8 × 86 27/32	1634775	2712405	1102205	0300252	9047893	9073244	9128586
	<b>3476</b>	39 7/8 × 90 27/32	1634776	2712406	1102206	0300253	9047894	9073235	9128587

## 400 Series Tilt-Wash (TW) Windows (1992 to Present)

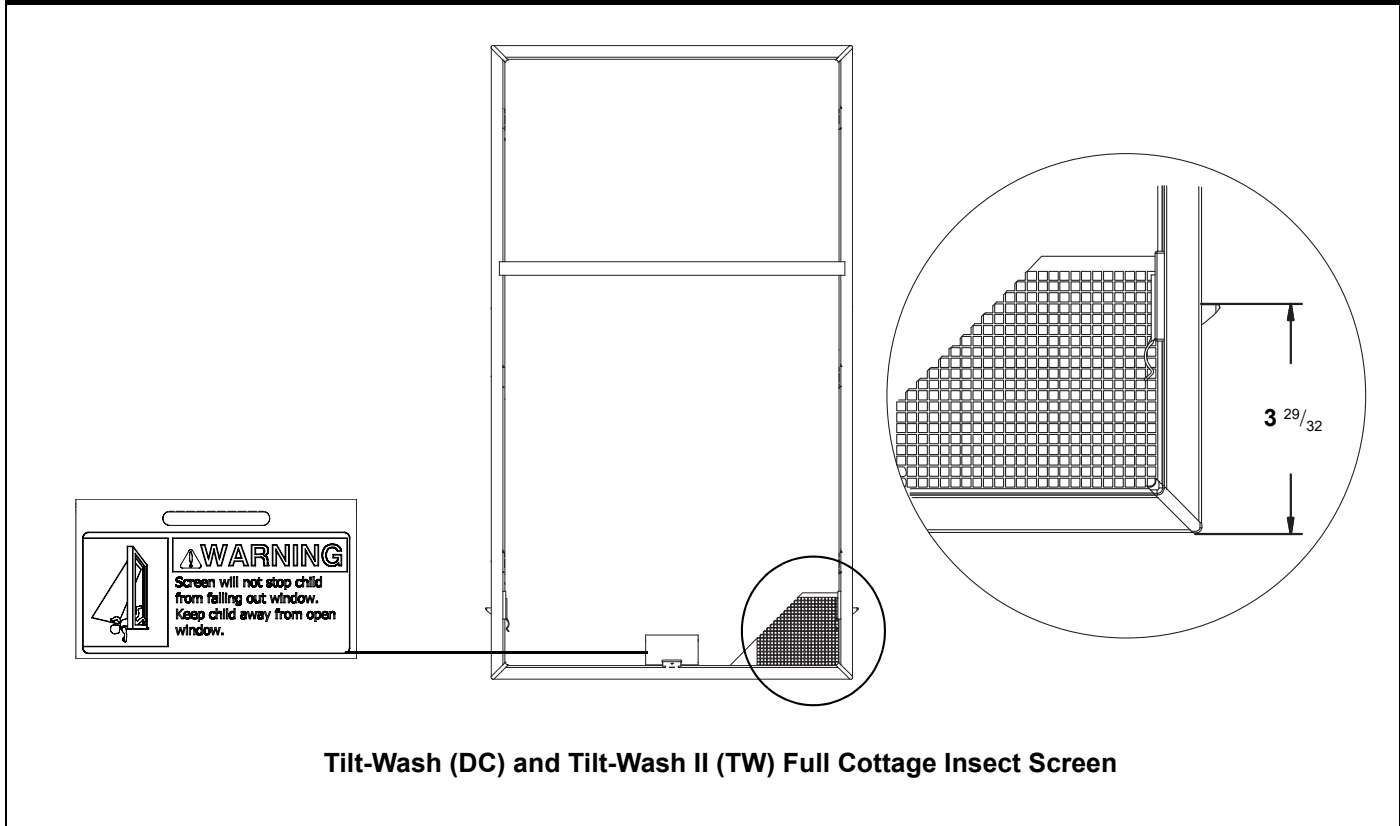
*Standard Windows*

### Insect Screens

Insect Screen - Full / Equal / TruScene®									
	Unit No.	Dimensions (w x h)	White	Terra- tone®	Sandtone	Forest Green	Canvas	Dark Bronze	Black
38	<b>38210</b>	43 <sup>7</sup> / <sub>8</sub> × 34 <sup>27</sup> / <sub>32</sub>	1634652	2712251	1103449	0300351	9047951	9073302	9128644
	<b>3832</b>	43 <sup>7</sup> / <sub>8</sub> × 38 <sup>27</sup> / <sub>32</sub>	1634653	2712252	1103450	0300352	9047952	9073303	9128645
	<b>3836</b>	43 <sup>7</sup> / <sub>8</sub> × 42 <sup>27</sup> / <sub>32</sub>	1611897	2710297	1103591	0300297	9047900	9073251	9128593
	<b>38310</b>	43 <sup>7</sup> / <sub>8</sub> × 46 <sup>27</sup> / <sub>32</sub>	1634654	2712253	1103451	0300353	9047953	9073304	9128646
	<b>3842</b>	43 <sup>7</sup> / <sub>8</sub> × 50 <sup>27</sup> / <sub>32</sub>	1634655	2712254	1103452	0300354	9047954	9073305	9128647
	<b>3846</b>	43 <sup>7</sup> / <sub>8</sub> × 54 <sup>27</sup> / <sub>32</sub>	1634656	2712255	1103453	0300355	9047955	9073306	9128648
	<b>38410</b>	43 <sup>7</sup> / <sub>8</sub> × 58 <sup>27</sup> / <sub>32</sub>	1611898	2710298	1103592	0300298	9047901	9073252	9128594
	<b>3852</b>	43 <sup>7</sup> / <sub>8</sub> × 62 <sup>27</sup> / <sub>32</sub>	1634657	2712256	1103454	0300356	9047956	9073307	9128649
	<b>3856E</b>	43 <sup>7</sup> / <sub>8</sub> × 66 <sup>27</sup> / <sub>32</sub>	1634777	2712369	1103869	0300409	9048006	9073357	9128699
	<b>38510</b>	43 <sup>7</sup> / <sub>8</sub> × 70 <sup>27</sup> / <sub>32</sub>	1611899	2710299	1103593	0300299	9047902	9073253	9128595
	<b>3862</b>	43 <sup>7</sup> / <sub>8</sub> × 74 <sup>27</sup> / <sub>32</sub>	1634659	2712258	1103456	0300358	9047958	9073309	9128651
	<b>3872</b>	43 <sup>7</sup> / <sub>8</sub> × 86 <sup>27</sup> / <sub>32</sub>	1634778	2712407	1102207	0300254	9047895	9073246	9128588
	<b>3876</b>	43 <sup>7</sup> / <sub>8</sub> × 90 <sup>27</sup> / <sub>32</sub>	1634779	2712408	1102208	0300255	9047896	9073247	9128589

## Insect Screens

### Insect Screens - Full / Cottage / TruScene®



Insect Screen - Full / Cottage / TruScene®									
Unit No.	Dimensions (w x h)	White	Terra-tone®	Sandtone	Forest Green	Canvas	Dark Bronze	Black	
<b>18</b>	<b>18310C</b>	19 7/8 × 46 27/32	1643647	2713147	1141501	0313511	9048141	9073492	9128811
	<b>1842C</b>	19 7/8 × 50 27/32	1643648	2713148	1141502	0313512	9048142	9073493	9128812
	<b>1846C</b>	19 7/8 × 54 27/32	1643649	2713149	1141503	0313513	9048143	9073494	9128813
	<b>18410C</b>	19 7/8 × 58 27/32	1643675	2713175	1141529	0313539	9048169	9073520	9128839
	<b>1852C</b>	19 7/8 × 62 27/32	1643650	2713150	1141504	0313514	9048144	9073495	9128814
	<b>1856C</b>	19 7/8 × 66 27/32	1634609	2712209	1103407	0300309	9047909	9073260	9128602
<b>20</b>	<b>20310C</b>	23 7/8 × 46 27/32	1643651	2713151	1141505	0313515	9048145	9073496	9128815
	<b>2042C</b>	23 7/8 × 50 27/32	1643652	2713152	1141506	0313516	9048146	9073497	9128816
	<b>2046C</b>	23 7/8 × 54 27/32	1643653	2713153	1141507	0313517	9048147	9073498	9128817
	<b>20410C</b>	23 7/8 × 58 27/32	1643676	2713176	1141530	0313540	9048170	9073521	9128840
	<b>2052C</b>	23 7/8 × 62 27/32	1643654	2713154	1141508	0313518	9048148	9073499	9128818
	<b>2056C</b>	23 7/8 × 66 27/32	1634617	2712217	1103415	0300317	9047917	9073268	9128610

## 400 Series Tilt-Wash (TW) Windows (1992 to Present)

Standard Windows

### Insect Screens

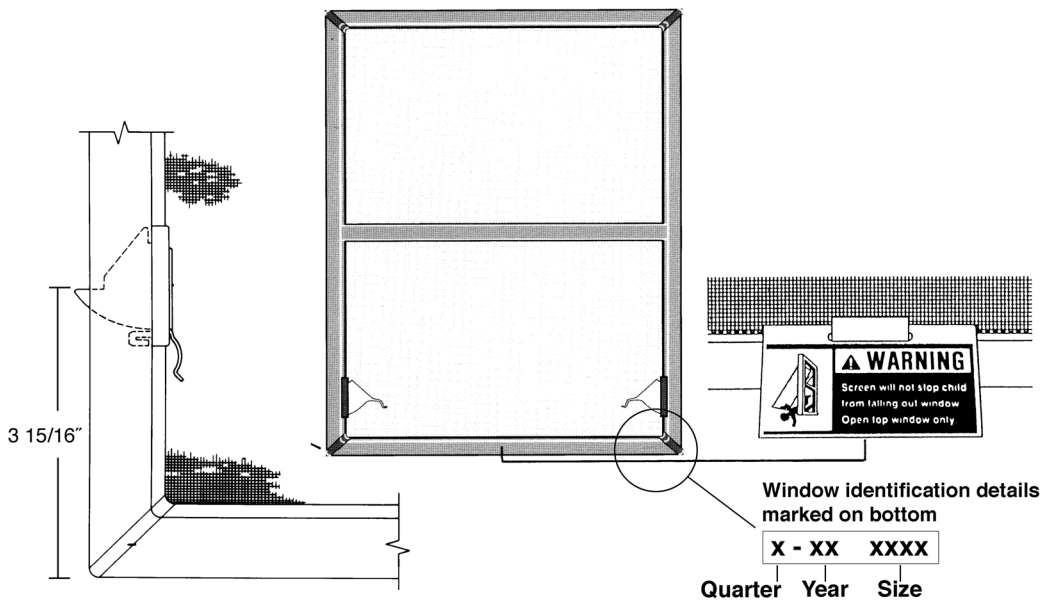
Insect Screen - Full / Cottage / TruScene®									
Unit No.	Dimensions (w x h)	White	Terra-tone®	Sandtone	Forest Green	Canvas	Dark Bronze	Black	
<b>210</b>	<b>210310C</b>	33 7/8 x 46 27/32	1643684	2713184	1141538	0313548	9048178	9073529	9128848
	<b>21042C</b>	33 7/8 x 50 27/32	1643685	2713185	1141539	0313549	9048179	9073530	9128849
	<b>21046C</b>	33 7/8 x 54 27/32	1643686	2713186	1141540	0313550	9048180	9073531	9128850
	<b>210410C</b>	33 7/8 x 58 27/32	1643687	2713187	1141541	0313551	9048181	9073532	9128851
	<b>21052C</b>	33 7/8 x 62 27/32	1643688	2713188	1141542	0313552	9048182	9073533	9128852
	<b>21056C</b>	33 7/8 x 66 27/32	1634691	2712291	1103581	0300391	9047990	9073341	9128683
<b>24</b>	<b>24310C</b>	27 7/8 x 46 27/32	1643655	2713155	1141509	0313519	9048149	9073500	9128819
	<b>2442C</b>	27 7/8 x 50 27/32	1643656	2713156	1141510	0313520	9048150	9073501	9128820
	<b>2446C</b>	27 7/8 x 54 27/32	1643657	2713157	1141511	0313521	9048151	9073502	9128821
	<b>24410C</b>	27 7/8 x 58 27/32	1643677	2713177	1141531	0313541	9048171	9073522	9128841
	<b>2452C</b>	27 7/8 x 62 27/32	1643658	2713158	1141512	0313522	9048152	9073503	9128822
	<b>2456C</b>	27 7/8 x 66 27/32	1634625	2712225	1103423	0300325	9047925	9073276	9128618
<b>26</b>	<b>26310C</b>	29 7/8 x 46 27/32	1643678	2713178	1141532	0313542	9048172	9073523	9128842
	<b>2642C</b>	29 7/8 x 50 27/32	1643679	2713179	1141533	0313543	9048173	9073524	9128843
	<b>2646C</b>	29 7/8 x 54 27/32	1643680	2713180	1141534	0313544	9048174	9073525	9128844
	<b>26410C</b>	29 7/8 x 58 27/32	1643681	2713181	1141535	0313545	9048175	9073526	9128845
	<b>2652C</b>	29 7/8 x 62 27/32	1643682	2713182	1141536	0313546	9048176	9073527	9128846
	<b>2656C</b>	29 7/8 x 66 27/32	1634677	2712277	1103567	0300377	9047976	9073327	9128669
<b>28</b>	<b>28310C</b>	31 7/8 x 46 27/32	1643659	2713159	1141513	0313523	9048153	9073504	9128823
	<b>2842C</b>	31 7/8 x 50 27/32	1643660	2713160	1141514	0313524	9048154	9073505	9128824
	<b>2846C</b>	31 7/8 x 54 27/32	1643661	2713161	1141515	0313525	9048155	9073506	9128825
	<b>28410C</b>	31 7/8 x 58 27/32	1643683	2713183	1141537	0313547	9048177	9073528	9128847
	<b>2852C</b>	31 7/8 x 62 27/32	1643662	2713162	1141516	0313526	9048156	9073507	9128826
	<b>2856C</b>	31 7/8 x 66 27/32	1634634	2712233	1103431	0300333	9047933	9073284	9128626
<b>30</b>	<b>30310C</b>	35 7/8 x 46 27/32	1643663	2713163	1141517	0313527	9048157	9073508	9128827
	<b>3042C</b>	35 7/8 x 50 27/32	1643664	2713164	1141518	0313528	9048158	9073509	9128828
	<b>3046C</b>	35 7/8 x 54 27/32	1643665	2713165	1141519	0313529	9048159	9073510	9128829
	<b>30410C</b>	35 7/8 x 58 27/32	1643689	2713189	1141543	0313553	9048183	9073534	9128853
	<b>3052C</b>	35 7/8 x 62 27/32	1643666	2713166	1141520	0313530	9048160	9073511	9128830
	<b>3056C</b>	35 7/8 x 66 27/32	1634642	2712241	1103439	0300341	9047941	9073292	9128634
<b>34</b>	<b>34310C</b>	39 7/8 x 46 27/32	1643667	2713167	1141521	0313531	9048161	9073512	9128831
	<b>3442C</b>	39 7/8 x 50 27/32	1643668	2713168	1141522	0313532	9048162	9073513	9128832
	<b>3446C</b>	39 7/8 x 54 27/32	1643669	2713169	1141523	0313533	9048163	9073514	9128833
	<b>34410C</b>	39 7/8 x 58 27/32	1643690	2713190	1141544	0313554	9048184	9073535	9128854
	<b>3452C</b>	39 7/8 x 62 27/32	1643670	2713170	1141524	0313534	9048164	9073515	9128834
	<b>3456C</b>	39 7/8 x 66 27/32	1634650	2712249	1103447	0300349	9047949	9073300	9128642

## Insect Screens

Insect Screen - Full / Cottage / TruScene®									
Unit No.	Dimensions (w x h)	White	Terra- tone®	Sandtone	Forest Green	Canvas	Dark Bronze	Black	
<b>38</b>	<b>38310C</b>	43 <sup>7</sup> / <sub>8</sub> × 46 <sup>27</sup> / <sub>32</sub>	1643671	2713171	1141525	0313535	9048165	9073516	9128835
	<b>3842C</b>	43 <sup>7</sup> / <sub>8</sub> × 50 <sup>27</sup> / <sub>32</sub>	1643672	2713172	1141526	0313536	9048166	9073517	9128836
	<b>3846C</b>	43 <sup>7</sup> / <sub>8</sub> × 54 <sup>27</sup> / <sub>32</sub>	1643673	2713173	1141527	0313537	9048167	9073518	9128837
	<b>38410C</b>	43 <sup>7</sup> / <sub>8</sub> × 58 <sup>27</sup> / <sub>32</sub>	1643646	2713146	1141545	0313510	9048140	9073491	9128810
	<b>3852C</b>	43 <sup>7</sup> / <sub>8</sub> × 62 <sup>27</sup> / <sub>32</sub>	1643674	2713174	1141528	0313538	9048168	9073519	9128838
	<b>3856C</b>	43 <sup>7</sup> / <sub>8</sub> × 66 <sup>27</sup> / <sub>32</sub>	1634658	2712257	1103455	0300357	9047957	9073308	9128650



### Insect Screens - Full / Even / Standard Mesh



Tilt-Wash (DC) and Tilt-Wash II (TW) Full Insect Screen

### Insect Screen - Full / Equal / Standard Mesh

Unit No.	Dimensions (w x h)	White	Terra-tone®	Sandtone	Forest Green	Canvas	Dark Bronze	Black
		18210	19 7/8 x 34 27/32	1610103	2710103	1139701	0313303	9048013
1832	19 7/8 x 38 27/32	1610104	2710104	1139702	0313304	9048014	9073365	9128707
1836	19 7/8 x 42 27/32	1610160	2710160	1139850	0313360	9048069	9073420	9128762
18310	19 7/8 x 46 27/32	1610105	2710105	1139703	0313305	9048015	9073366	9128708
1842	19 7/8 x 50 27/32	1610106	2710106	1139704	0313306	9048016	9073367	9128709
1846	19 7/8 x 54 27/32	1610107	2710107	1139705	0313307	9048017	9073368	9128710
18410	19 7/8 x 58 27/32	1610161	2710161	1139851	0313361	9048070	9073421	9128763
1852	19 7/8 x 62 27/32	1610108	2710108	1139706	0313308	9048018	9073369	9128711
1856E	19 7/8 x 66 27/32	1611057	2710461	1149061	0313501	9048131	9073482	9128801
18510	19 7/8 x 70 27/32	1610162	2710162	1139852	0313362	9048071	9073422	9128764
1862	19 7/8 x 74 27/32	1610110	2710110	1139708	0313310	9048020	9073371	9128713
1872	19 7/8 x 86 27/32	1611058	2700992	1100892	0300140	9047863	9073214	9128556
1876	19 7/8 x 90 27/32	1611059	2700993	1100893	0300141	9047864	9073215	9128557

18

## Insect Screens

Insect Screen - Full / Equal / Standard Mesh									
Unit No.	Dimensions (w x h)	White	Terra-tone®	Sandtone	Forest Green	Canvas	Dark Bronze	Black	
<b>20</b>	<b>20210</b>	23 7/8 x 34 27/32	1610111	2710111	1139709	0313311	9048021	9073372	9128714
	<b>2032</b>	23 7/8 x 38 27/32	1610112	2710112	1139710	0313312	9048022	9073373	9128715
	<b>2036</b>	23 7/8 x 42 27/32	1610163	2710163	1139853	0313363	9048072	9073423	9128765
	<b>20310</b>	23 7/8 x 46 27/32	1610113	2710113	1139711	0313313	9048023	9073374	9128716
	<b>2042</b>	23 7/8 x 50 27/32	1610114	2710114	1139712	0313314	9048024	9073375	9128717
	<b>2046</b>	23 7/8 x 54 27/32	1610115	2710115	1139713	0313315	9048025	9073376	9128718
	<b>20410</b>	23 7/8 x 58 27/32	1610164	2710164	1139854	0313364	9048073	9073424	9128766
	<b>2052</b>	23 7/8 x 62 27/32	1610116	2710116	1139714	0313316	9048026	9073377	9128719
	<b>2056E</b>	23 7/8 x 66 27/32	1611060	2710462	1149062	0313502	9048132	9073483	9128802
	<b>20510</b>	23 7/8 x 70 27/32	1610165	2710165	1139855	0313365	9048074	9073425	9128767
	<b>2062</b>	23 7/8 x 74 27/32	1610118	2710118	1139716	0313198	9048028	9073379	9128721
	<b>2072</b>	23 7/8 x 86 27/32	1611061	2700994	1100894	0300142	9047865	9073216	9128558
	<b>2076</b>	23 7/8 x 90 27/32	1611062	2700995	1100895	0300143	9047866	9073217	9128559
<b>24</b>	<b>24210</b>	27 7/8 x 34 27/32	1610119	2710119	1139717	0313319	9048029	9073380	9128722
	<b>2432</b>	27 7/8 x 38 27/32	1610120	2710120	1139718	0313320	9048030	9073381	9128723
	<b>2436</b>	27 7/8 x 42 27/32	1610166	2710166	1139856	0313366	9048075	9073426	9128768
	<b>24310</b>	27 7/8 x 46 27/32	1610121	2710121	1139719	0313321	9048031	9073382	9128724
	<b>2442</b>	27 7/8 x 50 27/32	1610122	2710122	1139720	0313322	9048032	9073383	9128725
	<b>2446</b>	27 7/8 x 54 27/32	1610123	2710123	1139721	0313323	9048033	9073384	9128726
	<b>24410</b>	27 7/8 x 58 27/32	1610167	2710167	1139857	0313367	9048076	9073427	9128769
	<b>2452</b>	27 7/8 x 62 27/32	1610124	2710124	1139722	0313324	9048034	9073385	9128727
	<b>2456E</b>	27 7/8 x 66 27/32	1611063	2710463	1149063	0313503	9048133	9073484	9128803
	<b>24510</b>	27 7/8 x 70 27/32	1610168	2710168	1139858	0313368	9048077	9073428	9128770
	<b>2462</b>	27 7/8 x 74 27/32	1610126	2710126	1139724	0313326	9048036	9073387	9128729
	<b>2466</b>	27 7/8 x 78 27/32	1610127	OBD	OBD	OBD	OBD	OBD	OBD
	<b>2472</b>	27 7/8 x 86 27/32	1611064	2700996	1100896	0300144	9047867	9073218	9128560
<b>2476</b>	27 7/8 x 90 27/32	1611065	2700997	1100897	0300145	9047868	9073219	9128561	

# 400 Series Tilt-Wash (TW) Windows (1992 to Present)

Standard Windows

## Insect Screens

Insect Screen - Full / Equal / Standard Mesh									
Unit No.	Dimensions (w x h)	White	Terra- tone®	Sandtone	Forest Green	Canvas	Dark Bronze	Black	
<b>26</b>	<b>26210</b>	29 <sup>7</sup> / <sub>8</sub> × 34 <sup>27</sup> / <sub>32</sub>	1610169	2710169	1139859	0313369	9048078	9073429	9128771
	<b>2632</b>	29 <sup>7</sup> / <sub>8</sub> × 38 <sup>27</sup> / <sub>32</sub>	1610170	2710170	1139860	0313370	9048079	9073430	9128772
	<b>2636</b>	29 <sup>7</sup> / <sub>8</sub> × 42 <sup>27</sup> / <sub>32</sub>	1610171	2710171	1139861	0313371	9048080	9073431	9128773
	<b>26310</b>	29 <sup>7</sup> / <sub>8</sub> × 46 <sup>27</sup> / <sub>32</sub>	1610172	2710172	1139862	0313372	9048081	9073432	9128774
	<b>2642</b>	29 <sup>7</sup> / <sub>8</sub> × 50 <sup>27</sup> / <sub>32</sub>	1610173	2710173	1139863	0313373	9048082	9073433	9128775
	<b>2646</b>	29 <sup>7</sup> / <sub>8</sub> × 54 <sup>27</sup> / <sub>32</sub>	1610174	2710174	1139864	0313374	9048083	9073434	9128776
	<b>26410</b>	29 <sup>7</sup> / <sub>8</sub> × 58 <sup>27</sup> / <sub>32</sub>	1610175	2710175	1139865	0313375	9048084	9073435	9128777
	<b>2652</b>	29 <sup>7</sup> / <sub>8</sub> × 62 <sup>27</sup> / <sub>32</sub>	1610176	2710176	1139866	0313376	9048085	9073436	9128778
	<b>2656E</b>	29 <sup>7</sup> / <sub>8</sub> × 66 <sup>27</sup> / <sub>32</sub>	1611066	2710464	1149064	0313504	9048134	9073485	9128804
	<b>26510</b>	29 <sup>7</sup> / <sub>8</sub> × 70 <sup>27</sup> / <sub>32</sub>	1610178	2710178	1139868	0313378	9048087	9073438	9128780
	<b>2662</b>	29 <sup>7</sup> / <sub>8</sub> × 74 <sup>27</sup> / <sub>32</sub>	1610179	2710179	1139869	0313379	9048088	9073439	9128781
	<b>2672</b>	29 <sup>7</sup> / <sub>8</sub> × 86 <sup>27</sup> / <sub>32</sub>	1600696	2700998	1100898	0300146	9047869	9073220	9128562
	<b>2676</b>	29 <sup>7</sup> / <sub>8</sub> × 90 <sup>27</sup> / <sub>32</sub>	1600697	2700999	1100899	0300147	9047870	9073221	9128563
<b>28</b>	<b>2828</b>	31 <sup>7</sup> / <sub>8</sub> × 32 <sup>27</sup> / <sub>32</sub>	1610101	2710101	OBD	0313301	9048011	9073362	9128704
	<b>28210</b>	31 <sup>7</sup> / <sub>8</sub> × 34 <sup>27</sup> / <sub>32</sub>	1610128	2710127	1139725	0313327	9048037	9073388	9128730
	<b>2832</b>	31 <sup>7</sup> / <sub>8</sub> × 38 <sup>27</sup> / <sub>32</sub>	1610129	2710128	1139726	0313328	9048038	9073389	9128731
	<b>2836</b>	31 <sup>7</sup> / <sub>8</sub> × 42 <sup>27</sup> / <sub>32</sub>	1610180	2710180	1139870	0313380	9048089	9073440	9128782
	<b>28310</b>	31 <sup>7</sup> / <sub>8</sub> × 46 <sup>27</sup> / <sub>32</sub>	1610130	2710129	1139727	0313329	9048039	9073390	9128732
	<b>2842</b>	31 <sup>7</sup> / <sub>8</sub> × 50 <sup>27</sup> / <sub>32</sub>	1610131	2710130	1139728	0313330	9048040	9073391	9128733
	<b>2846</b>	31 <sup>7</sup> / <sub>8</sub> × 54 <sup>27</sup> / <sub>32</sub>	1610132	2710131	1139729	0313331	9048041	9073392	9128734
	<b>28410</b>	31 <sup>7</sup> / <sub>8</sub> × 58 <sup>27</sup> / <sub>32</sub>	1610181	2710181	1139871	0313381	9048090	9073441	9128783
	<b>2852</b>	31 <sup>7</sup> / <sub>8</sub> × 62 <sup>27</sup> / <sub>32</sub>	1610133	2710132	1139730	0313332	9048042	9073393	9128735
	<b>2856E</b>	31 <sup>7</sup> / <sub>8</sub> × 66 <sup>27</sup> / <sub>32</sub>	1611067	2710465	1149065	0313505	9048135	9073486	9128805
	<b>28510</b>	31 <sup>7</sup> / <sub>8</sub> × 70 <sup>27</sup> / <sub>32</sub>	1610182	2710182	1139872	0313382	9048091	9073442	9128784
	<b>2862</b>	31 <sup>7</sup> / <sub>8</sub> × 74 <sup>27</sup> / <sub>32</sub>	1610135	2710134	1139732	0313334	9048044	9073395	9128737
	<b>2872</b>	31 <sup>7</sup> / <sub>8</sub> × 86 <sup>27</sup> / <sub>32</sub>	1611068	2701001	1100901	0300148	9047871	9073222	9128564
<b>2876</b>	31 <sup>7</sup> / <sub>8</sub> × 90 <sup>27</sup> / <sub>32</sub>	1611069	2701002	1100902	0300149	9047872	9073223	9128565	

## Insect Screens

Insect Screen - Full / Equal / Standard Mesh									
Unit No.	Dimensions (w x h)	White	Terra-tone®	Sandtone	Forest Green	Canvas	Dark Bronze	Black	
<b>210</b>	<b>210210</b>	33 7/8 x 34 27/32	1610183	2710183	1139873	0313383	9048092	9073443	9128785
	<b>21032</b>	33 7/8 x 38 27/32	1610184	2710184	1139874	0313384	9048093	9073444	9128786
	<b>21036</b>	33 7/8 x 42 27/32	1610185	2710185	1139875	0313385	9048094	9073445	9128787
	<b>210310</b>	33 7/8 x 46 27/32	1610186	2710186	1139876	0313386	9048095	9073446	9128788
	<b>21042</b>	33 7/8 x 50 27/32	1610187	2710187	1139877	0313387	9048096	9073447	9128789
	<b>21046</b>	33 7/8 x 54 27/32	1610188	2710188	1139878	0313388	9048097	9073448	9128790
	<b>210410</b>	33 7/8 x 58 27/32	1610189	2710189	1139879	0313389	9048098	9073449	9128791
	<b>21052</b>	33 7/8 x 62 27/32	1610190	2710190	1139880	0313390	9048099	9073450	9128792
	<b>21056E</b>	33 7/8 x 66 27/32	1611070	2710466	1149066	0313506	9048136	9073487	9128806
	<b>210510</b>	33 7/8 x 70 27/32	1610192	2710192	1139882	0313392	9048101	9073452	9128794
	<b>21062</b>	33 7/8 x 74 27/32	1610194	2710194	1139884	0313394	9048102	9073453	9128795
	<b>21072</b>	33 7/8 x 86 27/32	1600698	2701009	1100909	0300156	9047879	9073230	9128572
	<b>21076</b>	33 7/8 x 90 27/32	1600699	2701010	1100910	0300157	9047880	9073231	9128573
<b>30</b>	<b>30210</b>	35 7/8 x 34 27/32	1610136	2710135	1139733	0313335	9048045	9073396	9128738
	<b>3032</b>	35 7/8 x 38 27/32	1610137	2710136	1139734	0313336	9048046	9073397	9128739
	<b>3036</b>	35 7/8 x 42 27/32	1610195	2710195	1139885	0313395	9048103	9073454	9128796
	<b>30310</b>	35 7/8 x 46 27/32	1610138	2710137	1139735	0313337	9048047	9073398	9128740
	<b>3042</b>	35 7/8 x 50 27/32	1610139	2710138	1139736	0313338	9048048	9073399	9128741
	<b>3046</b>	35 7/8 x 54 27/32	1610140	2710139	1139737	0313339	9048049	9073400	9128742
	<b>3048</b>	35 7/8 x 56 27/32	OBD	2710102	OBD	0313302	9048012	9073363	9128705
	<b>30410</b>	35 7/8 x 58 27/32	1610196	2710196	1139886	0313396	9048104	9073455	9128797
	<b>3052</b>	35 7/8 x 62 27/32	1610141	2710140	1139738	0313340	9048050	9073401	9128743
	<b>3056E</b>	35 7/8 x 66 27/32	1611071	2710467	1149067	0313507	9048137	9073488	9128807
	<b>30510</b>	35 7/8 x 70 27/32	1610197	2710197	1139887	0313397	9048105	9073456	9128798
	<b>3062</b>	35 7/8 x 74 27/32	1610143	2710142	1139740	0313342	9048052	9073403	9128745
	<b>3072</b>	35 7/8 x 86 27/32	1611072	2701003	1100903	0300150	9047873	9073224	9128566
<b>3076</b>	35 7/8 x 90 27/32	1611073	2701004	1100904	0300151	9047874	9073525	9128567	

## 400 Series Tilt-Wash (TW) Windows (1992 to Present)

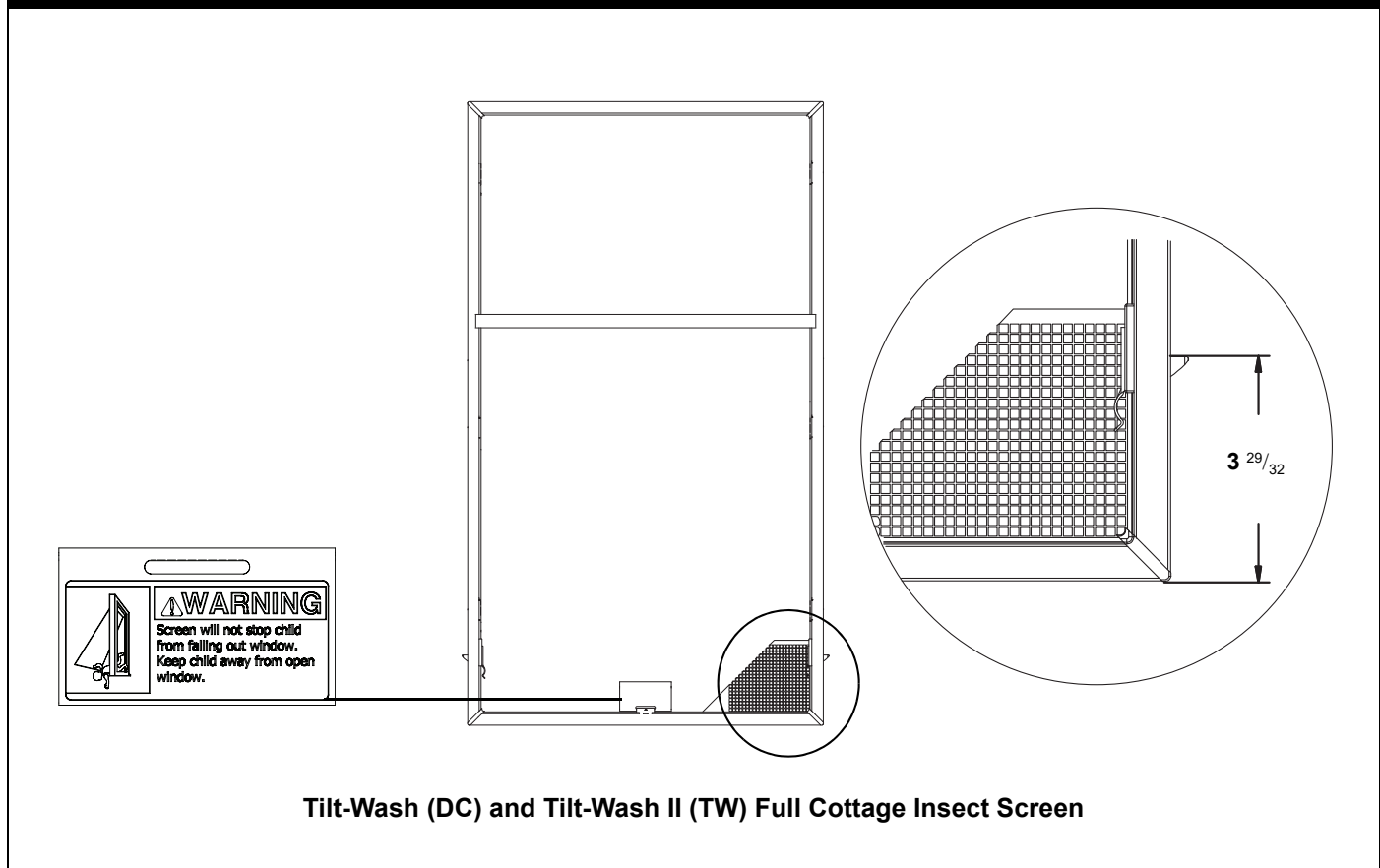
Standard Windows

### Insect Screens

Insect Screen - Full / Equal / Standard Mesh									
Unit No.	Dimensions (w x h)	White	Terra- tone®	Sandtone	Forest Green	Canvas	Dark Bronze	Black	
<b>34</b>	<b>34210</b>	39 <sup>7</sup> / <sub>8</sub> × 34 <sup>27</sup> / <sub>32</sub>	1610144	2710143	1139741	0313343	9048053	9073404	9128746
	<b>3432</b>	39 <sup>7</sup> / <sub>8</sub> × 38 <sup>27</sup> / <sub>32</sub>	1610145	2710144	1139742	0313344	9048054	9073405	9128747
	<b>3436</b>	39 <sup>7</sup> / <sub>8</sub> × 42 <sup>27</sup> / <sub>32</sub>	1610198	2710198	1139888	0313398	9048106	9073457	9128799
	<b>34310</b>	39 <sup>7</sup> / <sub>8</sub> × 46 <sup>27</sup> / <sub>32</sub>	1610146	2710145	1139743	0313345	9048055	9073406	9128748
	<b>3442</b>	39 <sup>7</sup> / <sub>8</sub> × 50 <sup>27</sup> / <sub>32</sub>	1610147	2710146	1139744	0313346	9048056	9073407	9128749
	<b>3446</b>	39 <sup>7</sup> / <sub>8</sub> × 54 <sup>27</sup> / <sub>32</sub>	1610148	2710147	1139745	0313347	9048057	9073408	9128750
	<b>34410</b>	39 <sup>7</sup> / <sub>8</sub> × 58 <sup>27</sup> / <sub>32</sub>	1610199	2710199	1139889	0313399	9048107	9073458	9128800
	<b>3452</b>	39 <sup>7</sup> / <sub>8</sub> × 62 <sup>27</sup> / <sub>32</sub>	1610149	2710148	1139746	0313348	9048058	9073409	9128751
	<b>3456E</b>	39 <sup>7</sup> / <sub>8</sub> × 66 <sup>27</sup> / <sub>32</sub>	1611074	2710468	1149068	0313508	9048138	9073489	9128808
	<b>34510</b>	39 <sup>7</sup> / <sub>8</sub> × 70 <sup>27</sup> / <sub>32</sub>	1610096	2710096	1139890	0313296	9048007	9073358	9128700
	<b>3462</b>	39 <sup>7</sup> / <sub>8</sub> × 74 <sup>27</sup> / <sub>32</sub>	1610151	2710150	1139748	0313350	9048060	9073411	9128753
	<b>3472</b>	39 <sup>7</sup> / <sub>8</sub> × 86 <sup>27</sup> / <sub>32</sub>	1611075	2701005	1100905	0300152	9047875	9073226	9128568
	<b>3476</b>	39 <sup>7</sup> / <sub>8</sub> × 90 <sup>27</sup> / <sub>32</sub>	1611076	2701006	1100906	0300153	9047876	9073227	9128569
<b>38</b>	<b>38210</b>	43 <sup>7</sup> / <sub>8</sub> × 34 <sup>27</sup> / <sub>32</sub>	1610152	2710151	1139749	0313351	9048061	9073412	9128754
	<b>3832</b>	43 <sup>7</sup> / <sub>8</sub> × 38 <sup>27</sup> / <sub>32</sub>	1610153	2710152	1139750	0313352	9048062	9073413	9128755
	<b>3836</b>	43 <sup>7</sup> / <sub>8</sub> × 42 <sup>27</sup> / <sub>32</sub>	1610097	2710097	1139891	0313297	9048008	9073359	9128701
	<b>38310</b>	43 <sup>7</sup> / <sub>8</sub> × 46 <sup>27</sup> / <sub>32</sub>	1610154	2710153	1139751	0313353	9048063	9073414	9128756
	<b>3842</b>	43 <sup>7</sup> / <sub>8</sub> × 50 <sup>27</sup> / <sub>32</sub>	1610155	2710154	1139752	0313354	9048064	9073415	9128757
	<b>3846</b>	43 <sup>7</sup> / <sub>8</sub> × 54 <sup>27</sup> / <sub>32</sub>	1610156	2710155	1139753	0313355	9048065	9073416	9128758
	<b>38410</b>	43 <sup>7</sup> / <sub>8</sub> × 58 <sup>27</sup> / <sub>32</sub>	1610098	2710098	1139892	0313298	9048009	9073360	9128702
	<b>3852</b>	43 <sup>7</sup> / <sub>8</sub> × 62 <sup>27</sup> / <sub>32</sub>	1610157	2710156	1139754	0313356	9048066	9073417	9128759
	<b>3856E</b>	43 <sup>7</sup> / <sub>8</sub> × 66 <sup>27</sup> / <sub>32</sub>	1611077	2710469	1149069	0313509	9048139	9073490	9128809
	<b>38510</b>	43 <sup>7</sup> / <sub>8</sub> × 70 <sup>27</sup> / <sub>32</sub>	1610099	2710099	1139893	0313299	9048010	9073361	9128703
	<b>3862</b>	43 <sup>7</sup> / <sub>8</sub> × 74 <sup>27</sup> / <sub>32</sub>	1610159	2710158	1139756	0313358	9048068	9073419	9128761
	<b>3872</b>	43 <sup>7</sup> / <sub>8</sub> × 86 <sup>27</sup> / <sub>32</sub>	1611078	2701007	1100907	0300154	9047877	9073228	9128570
	<b>3876</b>	43 <sup>7</sup> / <sub>8</sub> × 90 <sup>27</sup> / <sub>32</sub>	1611079	2701008	1100908	0300155	9047878	9073229	9128571

## Insect Screens

### Insect Screens - Full / Cottage / Standard Mesh



### Insect Screen - Full / Cottage / Standard Mesh

Unit No.		Dimensions (w x h)	White	Terra-tone®	Sandtone	Forest Green	Canvas	Dark Bronze	Black
<b>18</b>	<b>18310C</b>	19 7/8 x 46 27/32	1643602	2713102	1141546	0313556	9048186	9073537	9128856
	<b>1842C</b>	19 7/8 x 50 27/32	1643603	2713103	1141547	0313557	9048187	9073538	9128857
	<b>1846C</b>	19 7/8 x 54 27/32	1643604	2713104	1141548	0313558	9048188	9073539	9128858
	<b>18410C</b>	19 7/8 x 58 27/32	1643630	2713130	1141574	0313584	9048214	9073565	9128884
	<b>1852C</b>	19 7/8 x 62 27/32	1643605	2713105	1141549	0313559	9048189	9073540	9128859
	<b>1856C</b>	19 7/8 x 66 27/32	1610109	2710109	1139707	0313309	9048019	9073370	9128712
<b>20</b>	<b>20310C</b>	23 7/8 x 46 27/32	1643606	2713106	1141550	0313560	9048190	9073541	9128860
	<b>2042C</b>	23 7/8 x 50 27/32	1643607	2713107	1141551	0313561	9048191	9073542	9128861
	<b>2046C</b>	23 7/8 x 54 27/32	1643608	2713108	1141552	0313562	9048192	9073543	9128862
	<b>20410C</b>	23 7/8 x 58 27/32	1643631	2713131	1141575	0313585	9048215	9073566	9128885
	<b>2052C</b>	23 7/8 x 62 27/32	1643609	2713109	1141553	0313563	9048193	9073544	9128863
	<b>2056C</b>	23 7/8 x 66 27/32	1610117	2710117	1139715	0313317	9048027	9073378	9128720

# 400 Series Tilt-Wash (TW) Windows (1992 to Present)

Standard Windows

## Insect Screens

Insect Screen - Full / Cottage / Standard Mesh									
Unit No.	Dimensions (w x h)	White	Terra-tone®	Sandtone	Forest Green	Canvas	Dark Bronze	Black	
<b>24</b>	<b>24310C</b>	27 7/8 x 46 27/32	1643610	2713110	1141554	0313564	9048194	9073545	9128864
	<b>2442C</b>	27 7/8 x 50 27/32	1643611	2713111	1141555	0313565	9048195	9073546	9128865
	<b>2446C</b>	27 7/8 x 54 27/32	1643612	2713112	1141556	0313566	9048196	9073547	9128866
	<b>24410C</b>	27 7/8 x 58 27/32	1643632	2713132	1141576	0313586	9048216	9073567	9128886
	<b>2452C</b>	27 7/8 x 62 27/32	1643613	2713113	1141557	0313567	9048197	9073548	9128867
	<b>2456C</b>	27 7/8 x 66 27/32	1610125	2710125	1139723	0313325	9048035	9073386	9128728
<b>26</b>	<b>26310C</b>	29 7/8 x 46 27/32	1643633	2713133	1141577	0313587	9048217	9073568	9128887
	<b>2642C</b>	29 7/8 x 50 27/32	1643634	2713134	1141578	0313588	9048218	9073569	9128888
	<b>2646C</b>	29 7/8 x 54 27/32	1643635	2713135	1141579	0313589	9048219	9073570	9128889
	<b>26410C</b>	29 7/8 x 58 27/32	1643636	2713136	1141580	0313590	9048220	9073571	9128890
	<b>2652C</b>	29 7/8 x 62 27/32	1643637	2713137	1141581	0313591	9048221	9073572	9128891
	<b>2656C</b>	29 7/8 x 66 27/32	1610177	2710177	1139867	0313377	9048086	9073437	9128779
<b>28</b>	<b>28310C</b>	31 7/8 x 46 27/32	1643614	2713114	1141558	0313568	9048198	9073549	9128868
	<b>2842C</b>	31 7/8 x 50 27/32	1643615	2713115	1141559	0313569	9048199	9073550	9128869
	<b>2846C</b>	31 7/8 x 54 27/32	1643616	2713116	1141560	0313570	9048200	9073551	9128870
	<b>28410C</b>	31 7/8 x 58 27/32	1643638	2713138	1141582	0313592	9048222	9073573	9128892
	<b>2852C</b>	31 7/8 x 62 27/32	1643617	2713117	1141561	0313571	9048201	9073552	9128871
	<b>2856C</b>	31 7/8 x 66 27/32	1610134	2710133	1139731	0313333	9048043	9073394	9128736
<b>210</b>	<b>210310C</b>	33 7/8 x 46 27/32	1643639	2713139	1141583	0313593	9048223	9073574	9128893
	<b>21042C</b>	33 7/8 x 50 27/32	1643640	2713140	1141584	0313594	9048224	9073575	9128894
	<b>21046C</b>	33 7/8 x 54 27/32	1643641	2713141	1141585	0313595	9048225	9073576	9128895
	<b>210410C</b>	33 7/8 x 58 27/32	1643642	2713142	1141586	0313596	9048226	9073577	9128896
	<b>21052C</b>	33 7/8 x 62 27/32	1643643	2713143	1141587	0313597	9048227	9073578	9128897
	<b>21056C</b>	33 7/8 x 66 27/32	1610191	2710191	1139881	0313391	9048100	9073451	9128793
<b>30</b>	<b>30310C</b>	35 7/8 x 46 27/32	1643618	2713118	1141562	0313572	9048202	9073553	9128872
	<b>3042C</b>	35 7/8 x 50 27/32	1643619	2713119	1141563	0313573	9048203	9073554	9128873
	<b>3046C</b>	35 7/8 x 54 27/32	1643620	2713120	1141564	0313574	9048204	9073555	9128874
	<b>30410C</b>	35 7/8 x 58 27/32	1643644	2713144	1141588	0313598	9048228	9073579	9128898
	<b>3052C</b>	35 7/8 x 62 27/32	1643621	2713121	1141565	0313575	9048205	9073556	9128875
	<b>3056C</b>	35 7/8 x 66 27/32	1610142	2710141	1139739	0313341	9048051	9073402	9128744
<b>34</b>	<b>34310C</b>	39 7/8 x 46 27/32	1643622	2713122	1141566	0313576	9048206	9073557	9128876
	<b>3442C</b>	39 7/8 x 50 27/32	1643623	2713123	1141567	0313577	9048207	9073558	9128877
	<b>3446C</b>	39 7/8 x 54 27/32	1643624	2713124	1141568	0313578	9048208	9073559	9128878
	<b>34410C</b>	39 7/8 x 58 27/32	1643645	2713145	1141589	0313599	9048229	9073580	9128899
	<b>3452C</b>	39 7/8 x 62 27/32	1643625	2713125	1141569	0313579	9048209	9073560	9128879
	<b>3456C</b>	39 7/8 x 66 27/32	1610150	2710149	1139747	0313349	9048059	9073410	9128752

## Insect Screens

Insect Screen - Full / Cottage / Standard Mesh									
Unit No.	Dimensions (w x h)	White	Terra-tone®	Sandtone	Forest Green	Canvas	Dark Bronze	Black	
<b>38</b>	<b>38310C</b>	43 <sup>7</sup> / <sub>8</sub> × 46 <sup>27</sup> / <sub>32</sub>	1643626	2713126	1141570	0313580	9048210	9073561	9128880
	<b>3842C</b>	43 <sup>7</sup> / <sub>8</sub> × 50 <sup>27</sup> / <sub>32</sub>	1643627	2713127	1141571	0313581	9048211	9073562	9128881
	<b>3846C</b>	43 <sup>7</sup> / <sub>8</sub> × 54 <sup>27</sup> / <sub>32</sub>	1643628	2713128	1141572	0313582	9048212	9073563	9128882
	<b>38410C</b>	43 <sup>7</sup> / <sub>8</sub> × 58 <sup>27</sup> / <sub>32</sub>	1643601	2713101	1141590	0313555	9048185	9073536	9128855
	<b>3852C</b>	43 <sup>7</sup> / <sub>8</sub> × 62 <sup>27</sup> / <sub>32</sub>	1643629	2713129	1141573	0313583	9048213	9073564	9128883
	<b>3856C</b>	43 <sup>7</sup> / <sub>8</sub> × 66 <sup>27</sup> / <sub>32</sub>	1610158	2710157	1139755	0313357	9048067	9073418	9128760



# 400 Series Tilt-Wash (TW) Windows (1992 to Present)

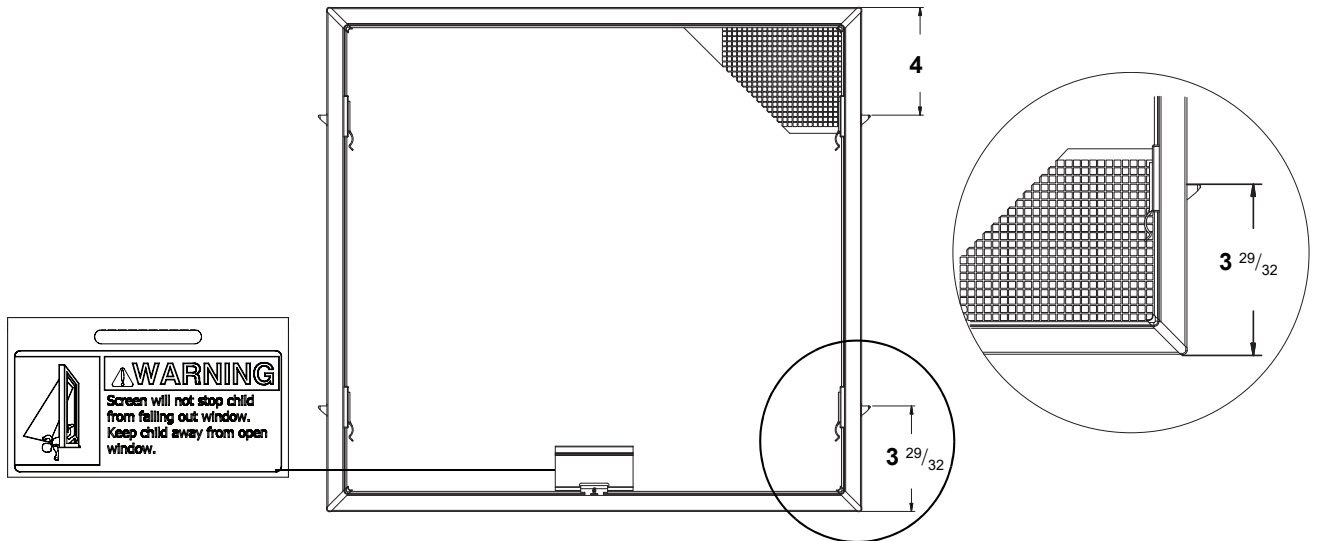
Standard Windows

## Insect Screens

### Insect Screens - Half / Even & Cottage / TruScene® (4/2007 - Present)

**Note:**

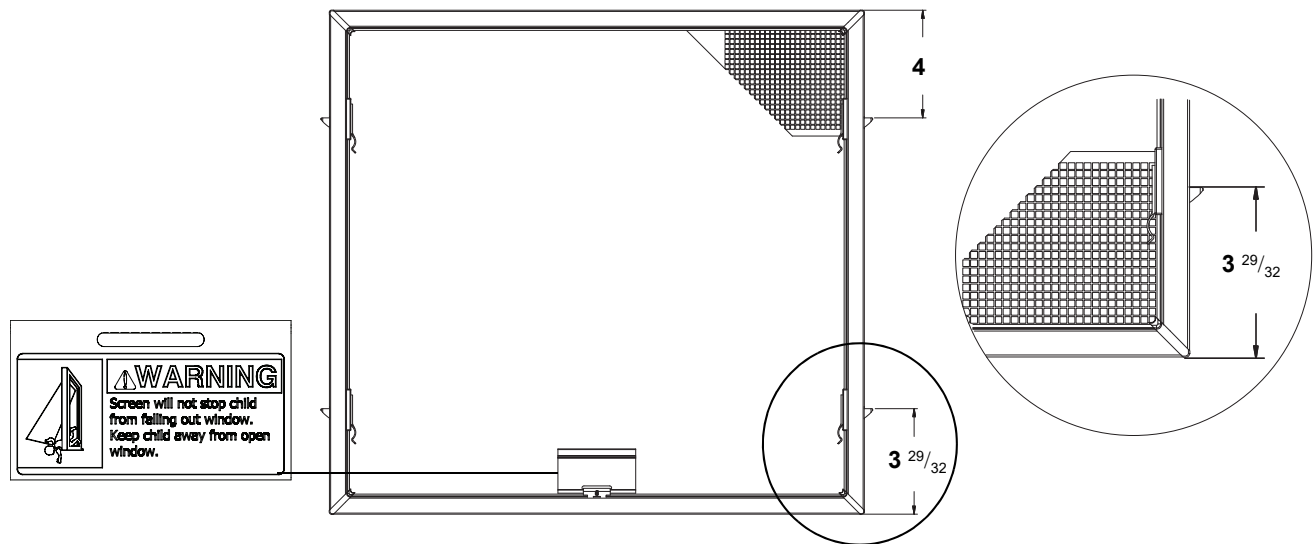
Half Insect Screens not for use on 400 Tilt-Wash Double-Hung Stormwatch® units. See [Accessory Guide 0005475](#) for complete screen assembly detail. See [Replacement Video](#). Can be used on units made prior to 2007.



**Tilt-Wash (DC) and Tilt-Wash II (TW) Half Insect Screen**

### Insect Screens

#### Insect Screen - Half / TruScene® (4/2007 - Present)



Tilt-Wash (DC) and Tilt-Wash II (TW) Half Insect Screen

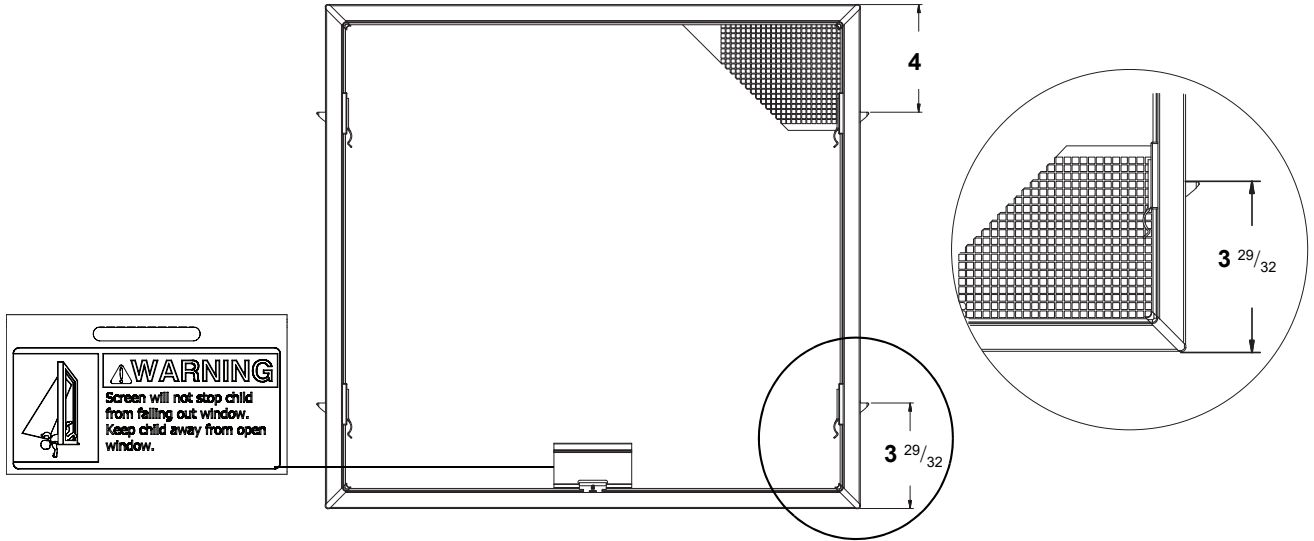
Unit No.	Dimensions (w x h)	White	Terra-tone®	Sand-tone	Forest Green	Canvas	Dark Bronze	Black
<b>18210E/1836RC/1832RC</b>	19 7/8 x 18 7/8	1693336	2791236	1191236	0381336	9048427	9073778	9129115
<b>1832E/18310RC</b>	19 7/8 x 20 7/8	1693335	2791235	1191235	0381335	9048426	9073777	9129114
<b>1836E/1832C/1842RC</b>	19 7/8 x 22 7/8	1693334	2791234	1191234	0381334	9048425	9073776	9129113
<b>18310E</b> <i>(9/2017 - Present)</i>	19 7/8 x 24 3/8	9168635	9168653	9168617	9168583	9168545	9168612	9168565
<b>18310E</b> <i>(2007 - 8/2017)</i>	19 7/8 x 24 7/8	1693333	2791233	1191233	0381333	9048424	9073775	9129112
<b>1842E/1836C/1852RC</b>	19 7/8 x 26 7/8	1693332	2791232	1191232	0381332	9048423	9073774	9129111
<b>1846E/1856RC</b> <i>(4/2017 - Present)</i>	19 7/8 x 28 3/8	9153066	9153065	9153064	9164090	9164108	9164126	9164144
<b>1846E/18310C/1856RC</b> <i>(2007 - 3/2017)</i>	19 7/8 x 28 7/8	1693331	2791231	1191231	0381331	9048422	9073773	9129110
<b>18410E/1842C</b>	19 7/8 x 30 7/8	1693330	2791230	1191230	0381330	9048421	9073772	9129109
<b>1852E/1846C/18510RC</b>	19 7/8 x 32 7/8	1693329	2791229	1191229	0381329	9048420	9073771	9129108
<b>1856E</b>	19 7/8 x 34 7/8	1693328	2791228	1191228	0381328	9048419	9073770	9129107
<b>18510E/18410C/1862RC</b>	19 7/8 x 36 7/8	1693327	2791227	1191227	0381327	9048418	9073769	9129106
<b>1862E/1852C</b>	19 7/8 x 38 7/8	1693326	2791226	1191226	0381326	9048417	9073768	9129105
<b>1856C</b> <i>(4/2017 - Present)</i>	19 7/8 x 40 3/8	9153076	9153075	9153074	9164099	9164117	9164135	9164153
<b>1862C/18510C/1856C</b> <i>(2007 - 3/2017)</i>	19 7/8 x 40 7/8	1693345	2791245	1191245	0381345	9048436	9073787	9129124
<b>1872E</b>	19 7/8 x 44 7/8	N/A	N/A	N/A	N/A	N/A	N/A	N/A
<b>1876E</b>	19 7/8 x 46 7/8	N/A	N/A	N/A	N/A	N/A	N/A	N/A

# 400 Series Tilt-Wash (TW) Windows (1992 to Present)

Standard Windows

## Insect Screens

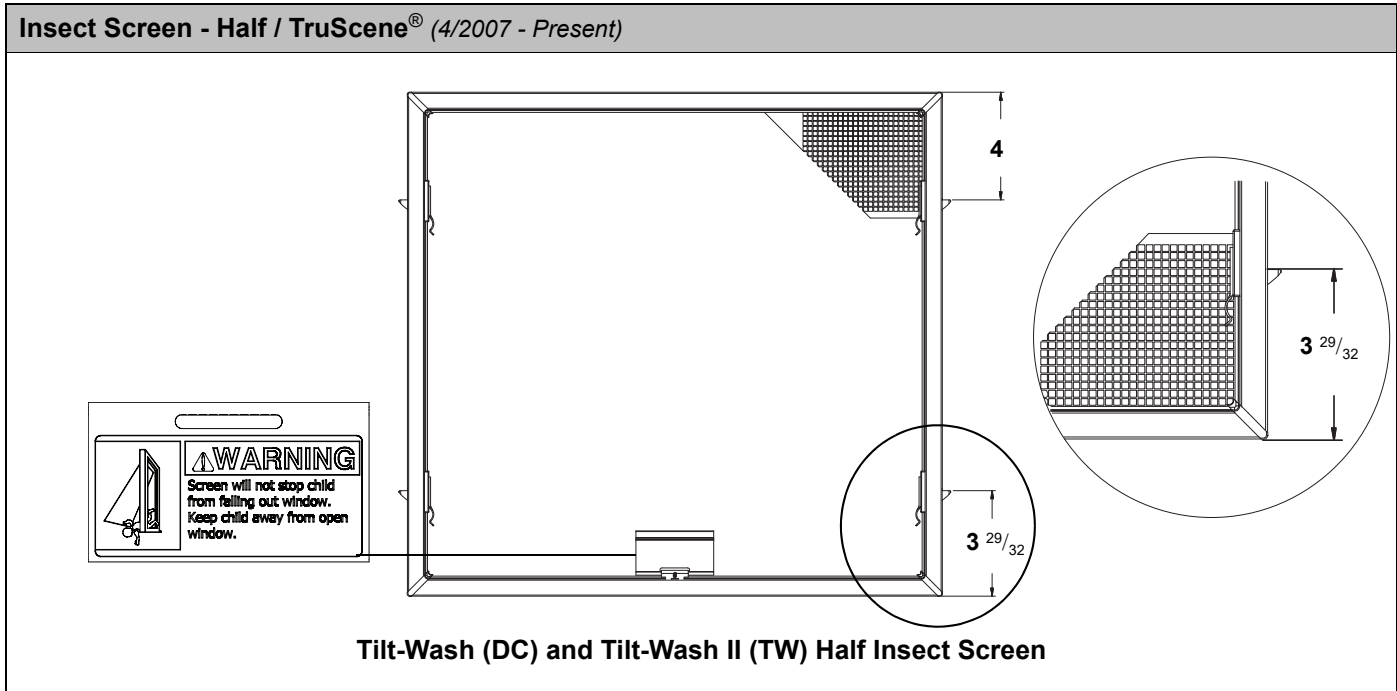
### Insect Screen - Half / TruScene® (4/2007 - Present)



Tilt-Wash (DC) and Tilt-Wash II (TW) Half Insect Screen

Unit No.	Dimensions (w x h)	White	Terra-tone®	Sand-tone	Forest Green	Canvas	Dark Bronze	Black
		20210E/2036RC/2032RC	23 7/8 x 18 7/8	1693323	2791223	1191223	0381323	9048416
2032E/20310RC	23 7/8 x 20 7/8	1693322	2791222	1191222	0381322	9048415	9073766	9129103
2036E/2032C/2042RC	23 7/8 x 22 7/8	1693321	2791221	1191221	0381321	9048414	9073765	9129102
20310E (9/2017 - Present)	23 7/8 x 24 3/8	9168634	9168652	9168616	9168582	9168544	9168611	9168564
20310E (2007 - 8/2017)	23 7/8 x 24 7/8	1693320	2791220	1191220	0381320	9048413	9073764	9129101
2042E/2036C/2052RC	23 7/8 x 26 7/8	1693319	2791219	1191219	0381319	9048412	9073763	9129100
2046E/2056RC (4/2017 - Present)	23 7/8 x 28 3/8	9153086	9153085	9153084	9164089	9164107	9164125	9164143
2046E/20310C/2056RC (2007 - 3/2017)	23 7/8 x 28 7/8	1693318	2791218	1191218	0381318	9048411	9073762	9129099
20410E/2042C	23 7/8 x 30 7/8	1693317	2791217	1191217	0381317	9048410	9073761	9129098
2052E/2046C/20510RC	23 7/8 x 32 7/8	1693316	2791216	1191216	0381316	9048409	9073760	9129097
2056E	23 7/8 x 34 7/8	1693315	2791215	1191215	0381315	9048408	9073759	9129096
20510E/20410C/2062RC	23 7/8 x 36 7/8	1693314	2791214	1191214	0381314	9048407	9073758	9129095
2062E/2052C	23 7/8 x 38 7/8	1693313	2791213	1191213	0381313	9048406	9073757	9129094
2056C (4/2017 - Present)	23 7/8 x 40 3/8	9153096	9153095	9153094	9164098	9164116	9164134	9164152
2062C/20510C/2056C (2007 - 3/2017)	23 7/8 x 40 7/8	1693344	2791244	1191244	0381344	9048435	9073786	9129123
2072E	23 7/8 x 44 7/8	N/A	N/A	N/A	N/A	N/A	N/A	N/A
2076E	23 7/8 x 46 7/8	N/A	N/A	N/A	N/A	N/A	N/A	N/A

## Insect Screens



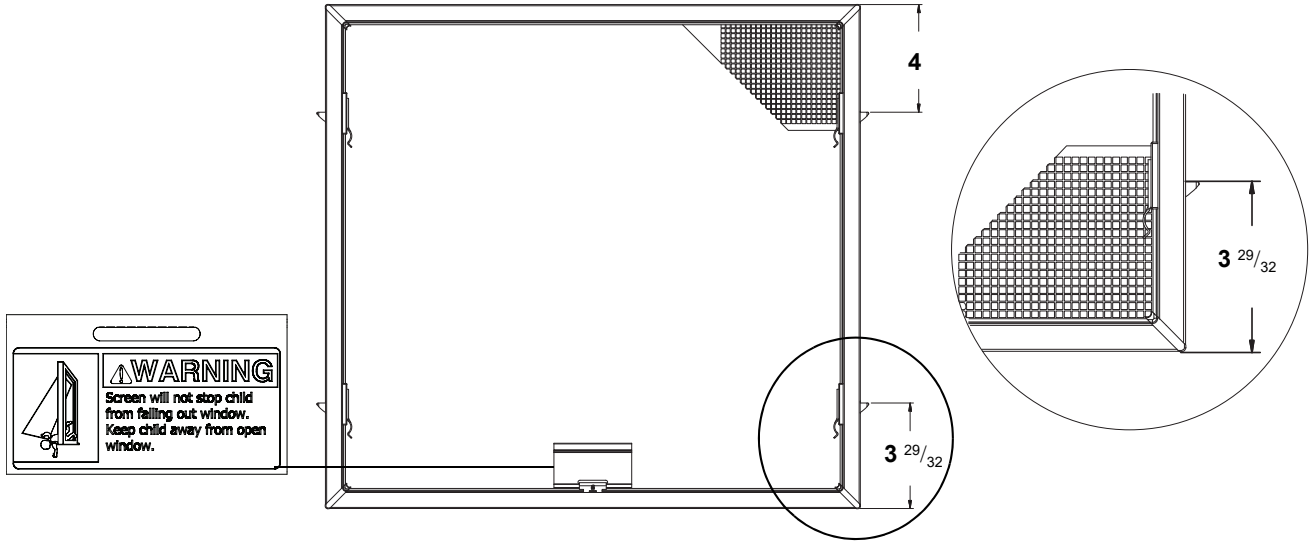
Unit No.	Dimensions (w x h)	White	Terra-tone®	Sand-tone	Forest Green	Canvas	Dark Bronze	Black
<b>24210E/2436RC/2432RC</b>	27 7/8 x 18 7/8	1693310	2791210	1191210	0381310	9048405	9073756	9129093
<b>2432E/24310RC</b>	27 7/8 x 20 7/8	1693309	2791209	1191209	0381309	9048404	9073755	9129092
<b>2436E/2432C/2442RC</b>	27 7/8 x 22 7/8	1693308	2791208	1191208	0381308	9048403	9073754	9129091
<b>24310E</b> <i>(9/2017 - Present)</i>	27 7/8 x 24 3/8	9168633	9168651	9168615	9168581	9168543	9168610	9168563
<b>24310E</b> <i>(2007 - 8/2017)</i>	27 7/8 x 24 7/8	1693307	2791207	1191207	0381307	9048402	9073753	9129090
<b>2442E/2436C/2452RC</b>	27 7/8 x 26 7/8	1693306	2791206	1191206	0381306	9048401	9073752	9129089
<b>2446E/2456RC</b> <i>(4/2017 - Present)</i>	27 7/8 x 28 3/8	9153126	9153125	9153124	9164088	9164106	9164124	9164142
<b>2446E/24310C/2456RC</b> <i>(2007 - 3/2017)</i>	27 7/8 x 28 7/8	1693305	2791205	1191205	0381305	9048400	9073751	9129088
<b>24410E/2442C</b>	27 7/8 x 30 7/8	1693304	2791204	1191204	0381304	9048399	9073750	9129087
<b>2452E/2446C/24510RC</b>	27 7/8 x 32 7/8	1693303	2791203	1191203	0381303	9048398	9073749	9129086
<b>2456E</b>	27 7/8 x 34 7/8	1693302	2791202	1191202	0381302	9048397	9073748	9129085
<b>24510E/24410C/2462RC</b>	27 7/8 x 36 7/8	1693301	2791201	1191201	0381301	9048396	9073747	9129084
<b>2462E/2452C</b>	27 7/8 x 38 7/8	1693299	2791199	1191199	0381299	9048395	9073746	9129083
<b>2456C</b> <i>(4/2017 - Present)</i>	27 7/8 x 40 3/8	9153136	9153135	9153134	9164097	9164115	9164133	9164151
<b>2462C/24510C/2456C</b> <i>(2007 - 3/2017)</i>	27 7/8 x 40 7/8	1693343	2791243	1191243	0381343	9048434	9073785	9129122
<b>2472E</b>	27 7/8 x 44 7/8	N/A	N/A	N/A	N/A	N/A	N/A	N/A
<b>2476E</b>	27 7/8 x 46 7/8	N/A	N/A	N/A	N/A	N/A	N/A	N/A

# 400 Series Tilt-Wash (TW) Windows (1992 to Present)

Standard Windows

## Insect Screens

### Insect Screen - Half / TruScene® (4/2007 - Present)

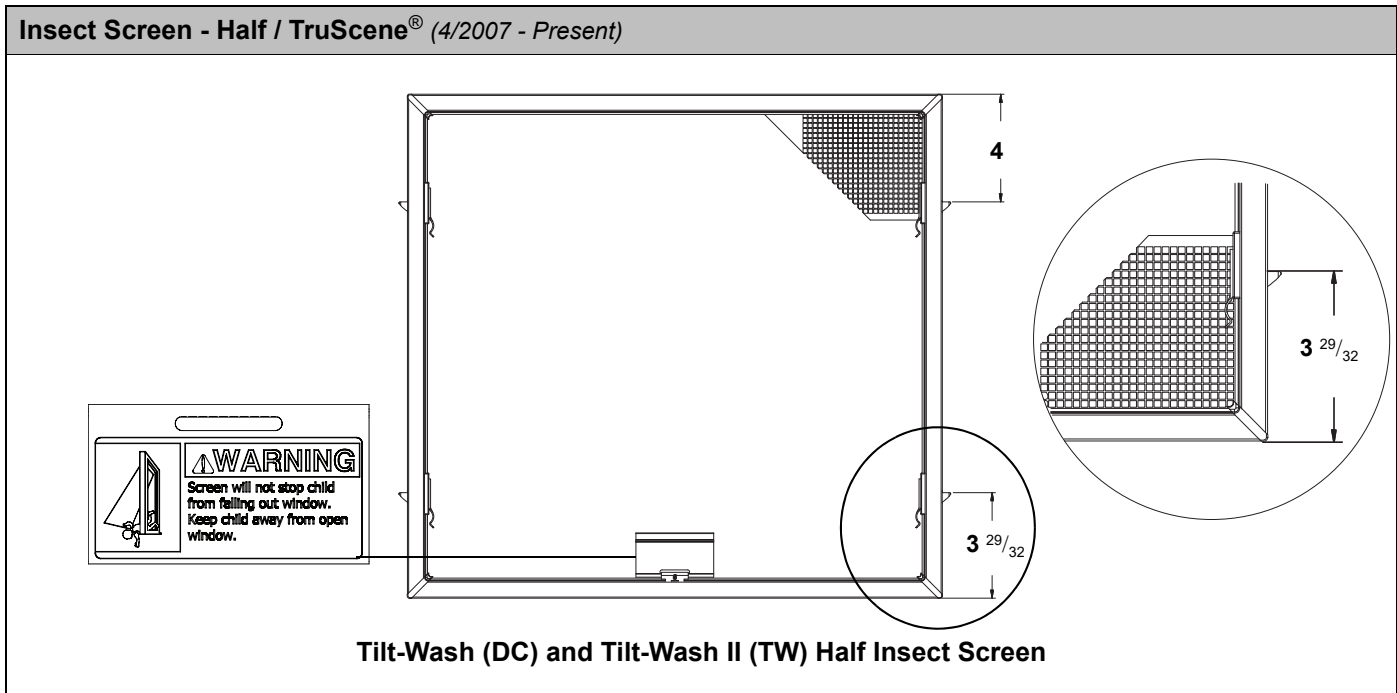


Tilt-Wash (DC) and Tilt-Wash II (TW) Half Insect Screen

Unit No.	Dimensions (w x h)								
		White	Terra-tone®	Sand-tone	Forest Green	Canvas	Dark Bronze	Black	
<b>26210E/2636RC/2632RC</b>	29 7/8 x 18 7/8	1693296	2791196	1191196	0381296	9048394	9073745	9129082	
<b>2632E/26310RC</b>	29 7/8 x 20 7/8	1693295	2791195	1191195	0381295	9048393	9073744	9129081	
<b>2636E/2632C/2642RC</b>	29 7/8 x 22 7/8	1693294	2791194	1191194	0381294	9048392	9073743	9129080	
<b>26310E</b> (9/2017 - Present)	29 7/8 x 24 3/8	9168632	9168650	9168614	9168580	9168542	9168609	9168562	
<b>26310E</b> (2007 - 8/2017)	29 7/8 x 24 7/8	1693293	2791193	1191193	0381293	9048391	9073742	9129079	
<b>2642E/2636C/2652RC</b>	29 7/8 x 26 7/8	1693292	2791192	1191192	0381292	9048390	9073741	9129078	
<b>2646E/2656RC</b> (4/2017 - Present)	29 7/8 x 28 3/8	9153146	9153145	9153144	9164087	9164105	9164123	9164141	
<b>2646E/26310C/2656RC</b> (2007 - 3/2017)	29 7/8 x 28 7/8	1693291	2791191	1191191	0381291	9048389	9073740	9129077	
<b>26410E/2642C</b>	29 7/8 x 30 7/8	1693290	2791190	1191190	0381290	9048388	9073739	9129076	
<b>2652E/2646C/26510RC</b>	29 7/8 x 32 7/8	1693289	2791189	1191189	0381289	9048387	9073738	9129075	
<b>2656E</b>	29 7/8 x 34 7/8	1693288	2791188	1191188	0381288	9048386	9073737	9129074	
<b>26510E/26410C/2662RC</b>	29 7/8 x 36 7/8	1693287	2791187	1191187	0381287	9048385	9073736	9129073	
<b>2662E/2652C</b>	29 7/8 x 38 7/8	1693286	2791186	1191186	0381286	9048384	9073735	9129072	
<b>2656C</b> (4/2017 - Present)	29 7/8 x 40 3/8	9153156	9153155	9153154	9164096	9164114	9164132	9164150	
<b>2662C/26510C/2656C</b> (2007 - 3/2017)	29 7/8 x 40 7/8	1693342	2791242	1191242	0381342	9048433	9073784	9129121	
<b>2672E</b>	29 7/8 x 44 7/8	N/A	N/A	N/A	N/A	N/A	N/A	N/A	
<b>2676E</b>	29 7/8 x 46 7/8	N/A	N/A	N/A	N/A	N/A	N/A	N/A	

26

## Insect Screens



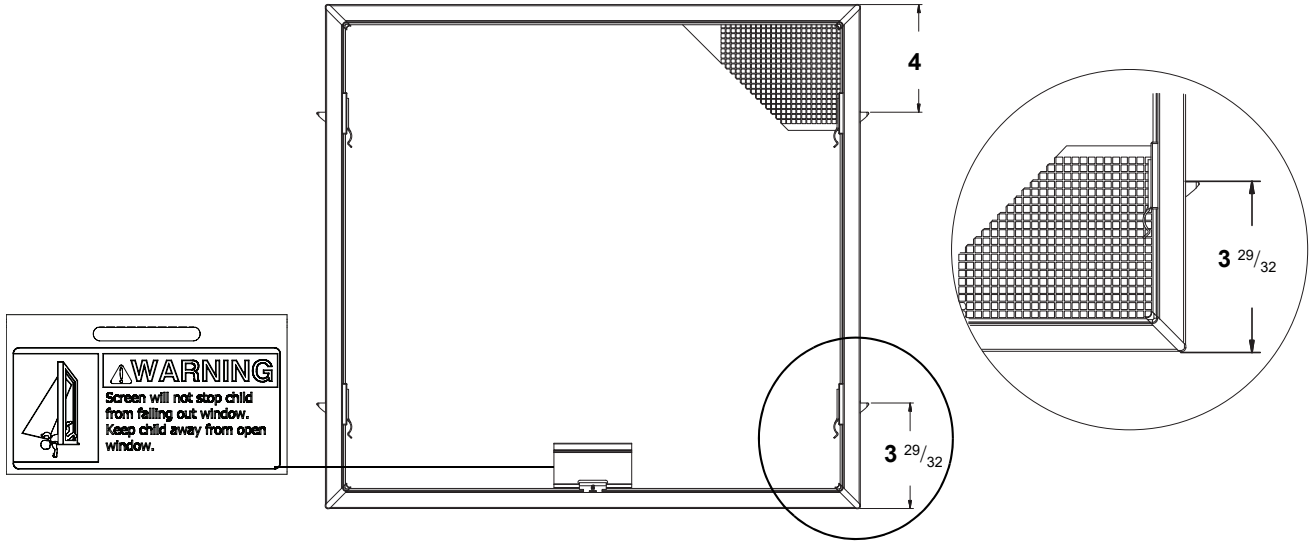
Unit No.	Dimensions (w x h)	White	Terra-tone®	Sand-tone	Forest Green	Canvas	Dark Bronze	Black
		<b>28210E/2836RC/2832RC</b>	31 7/8 x 18 7/8	1693283	2791183	1191183	0381283	9048383
<b>2832E/28310RC</b>	31 7/8 x 20 7/8	1693282	2791182	1191182	0381282	9048382	9073733	9129070
<b>2836E/2832C/2842RC</b>	31 7/8 x 22 7/8	1693281	2791181	1191181	0381281	9048381	9073732	9129069
<b>28310E</b> <i>(9/2017 - Present)</i>	31 7/8 x 24 3/8	9168631	9168649	9168613	9168579	9168541	9168608	9168561
<b>28310E</b> <i>(2007 - 8/2017)</i>	31 7/8 x 24 7/8	1693280	2791180	1191180	0381280	9048380	9073731	9129068
<b>2842E/2836C/2852RC</b>	31 7/8 x 26 7/8	1693279	2791179	1191179	0381279	9048379	9073730	9129067
<b>2846E/2856RC</b> <i>(4/2017 - Present)</i>	31 7/8 x 28 3/8	9153166	9153165	9153164	9164086	9164104	9164122	9164140
<b>2846E/28310C/2856RC</b> <i>(2007 - 3/2017)</i>	31 7/8 x 28 7/8	1693278	2791178	1191178	0381278	9048378	9073729	9129066
<b>28410E/2842C</b>	31 7/8 x 30 7/8	1693277	2791177	1191177	0381277	9048377	9073728	9129065
<b>2852E/2846C/28510RC</b>	31 7/8 x 32 7/8	1693276	2791176	1191176	0381276	9048376	9073727	9129064
<b>2856E</b>	31 7/8 x 34 7/8	1693275	2791175	1191175	0381275	9048375	9073726	9129063
<b>28510E/28410C/2862RC</b>	31 7/8 x 36 7/8	1693274	2791174	1191174	0381274	9048374	9073725	9129062
<b>2862E/2852C</b>	31 7/8 x 38 7/8	1693273	2791173	1191173	0381273	9048373	9073724	9129061
<b>2856C</b> <i>(4/2017 - Present)</i>	31 7/8 x 40 3/8	9153176	9153175	9153174	9164095	9164113	9164131	9164149
<b>2862C/28510C/2856C</b> <i>(2007 - 3/2017)</i>	31 7/8 x 40 7/8	1693341	2791241	1191241	0381341	9048432	9073783	9129120
<b>2872E</b>	31 7/8 x 44 7/8	N/A	N/A	N/A	N/A	N/A	N/A	N/A
<b>2876E</b>	31 7/8 x 46 7/8	N/A	N/A	N/A	N/A	N/A	N/A	N/A

# 400 Series Tilt-Wash (TW) Windows (1992 to Present)

Standard Windows

## Insect Screens

### Insect Screen - Half / TruScene® (4/2007 - Present)

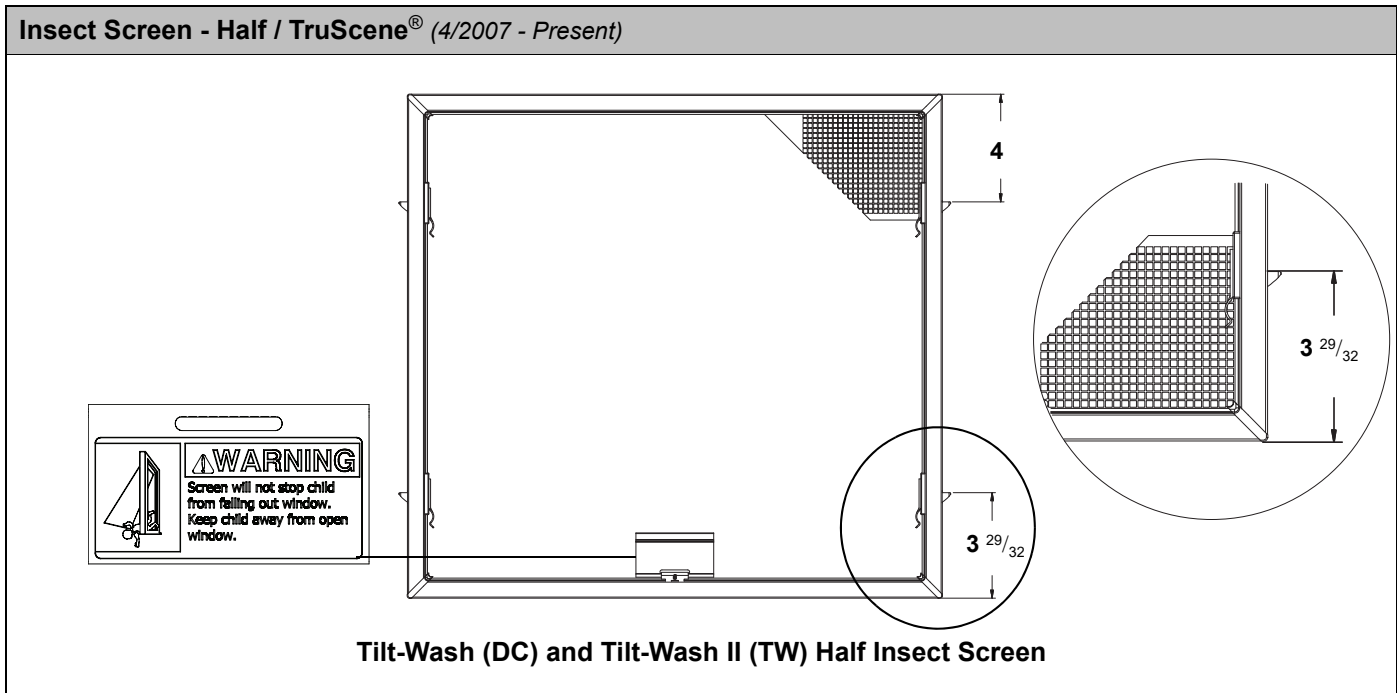


Tilt-Wash (DC) and Tilt-Wash II (TW) Half Insect Screen

Unit No.	Dimensions (w x h)	Color Options							
		White	Terra-tone®	Sand-tone	Forest Green	Canvas	Dark Bronze	Black	
<b>210210E/21036RC/21032RC</b>	33 7/8 x 18 7/8	1693270	2791170	1191170	0381270	9048372	9073723	9129060	
<b>21032E/210310RC</b>	33 7/8 x 20 7/8	1693269	2791169	1191169	0381269	9048371	9073722	9129059	
<b>21036E/21032C/21042RC</b>	33 7/8 x 22 7/8	1693268	2791168	1191168	0381268	9048370	9073721	9129058	
<b>210310E</b> (9/2017 - Present)	33 7/8 x 24 3/8	9168630	9168648	9168596	9168578	9168540	9168607	9168560	
<b>210310E</b> (2007 - 8/2017)	33 7/8 x 24 7/8	1693267	2791167	1191167	0381267	9048369	9073720	9129057	
<b>21042E/21036C/21052RC</b>	33 7/8 x 26 7/8	1693266	2791166	1191166	0381266	9048368	9073719	9129056	
<b>21046E/21056RC</b> (4/2017 - Present)	33 7/8 x 28 3/8	9153106	9153105	9153104	9164085	9164103	9164121	9164139	
<b>21046E/210310C/21056RC</b> (2007 - 3/2017)	33 7/8 x 28 7/8	1693265	2791165	1191165	0381265	9048367	9073718	9129055	
<b>210410E/21042C</b>	33 7/8 x 30 7/8	1693264	2791164	1191164	0381264	9048366	9073717	9129054	
<b>21052E/21046C/210510RC</b>	33 7/8 x 32 7/8	1693263	2791163	1191163	0381263	9048365	9073716	9129053	
<b>21056E</b>	33 7/8 x 34 7/8	1693262	2791162	1191162	0381262	9048364	9073715	9129052	
<b>210510E/210410C/21062RC</b>	33 7/8 x 36 7/8	1693261	2791161	1191161	0381261	9048363	9073714	9129051	
<b>21062E/21052C</b>	33 7/8 x 38 7/8	1693260	2791160	1191160	0381260	9048362	9073713	9129050	
<b>21056C</b> (4/2017 - Present)	33 7/8 x 40 3/8	9153116	9153115	9153114	9164094	9164112	9164130	9164148	
<b>21062C/210510C/21056C</b> (2007 - 3/2017)	33 7/8 x 40 7/8	1693340	2791240	1191240	0381340	9048431	9073782	9129119	
<b>21072E</b>	33 7/8 x 44 7/8	N/A	N/A	N/A	N/A	N/A	N/A	N/A	
<b>21076E</b>	33 7/8 x 46 7/8	N/A	N/A	N/A	N/A	N/A	N/A	N/A	

210

## Insect Screens



Unit No.	Dimensions (w x h)	White	Terra-tone®	Sand-tone	Forest Green	Canvas	Dark Bronze	Black
		<b>30210E/3036RC/3032RC</b>	35 7/8 x 18 7/8	1693257	2791157	1191157	0381257	9048361
<b>3032E/30310RC</b>	35 7/8 x 20 7/8	1693256	2791156	1191156	0381256	9048360	9073711	9129048
<b>3036E/3032C/3042RC</b>	35 7/8 x 22 7/8	1693255	2791155	1191155	0381255	9048359	9073710	9129047
<b>30310E</b> <i>(9/2017 - Present)</i>	35 7/8 x 24 3/8	9168629	9168647	9168595	9168577	9168539	9168606	9168559
<b>30310E</b> <i>(2007 - 8/2017)</i>	35 7/8 x 24 7/8	1693254	2791154	1191154	0381254	9048358	9073709	9129046
<b>3042E/3036C/3052RC</b>	35 7/8 x 26 7/8	1693253	2791153	1191153	0381253	9048357	9073708	9129045
<b>3046E/3056RC</b> <i>(4/2017 - Present)</i>	35 7/8 x 28 3/8	9153186	9153185	9153184	9164084	9164102	9164120	9164138
<b>3046E/30310C/3056RC</b> <i>(2007 - 3/2017)</i>	35 7/8 x 28 7/8	1693252	2791152	1191152	0381252	9048356	9073707	9129044
<b>30410E/3042C</b>	35 7/8 x 30 7/8	1693251	2791151	1191151	0381251	9048355	9073706	9129043
<b>3052E/3046C/30510RC</b>	35 7/8 x 32 7/8	1693250	2791150	1191150	0381250	9048354	9073705	9129042
<b>3056E</b>	35 7/8 x 34 7/8	1693249	2791149	1191149	0381249	9048353	9073704	9129041
<b>30510E/30410C/3062RC</b>	35 7/8 x 36 7/8	1693248	2791148	1191148	0381248	9048352	9073703	9129040
<b>3062E/3052C</b>	35 7/8 x 38 7/8	1693247	2791147	1191147	0381247	9048351	9073702	9129039
<b>3056C</b> <i>(4/2017 - Present)</i>	35 7/8 x 40 3/8	9153196	9153195	9153194	9164093	9164111	9164129	9164147
<b>3062C/30510C/3056C</b> <i>(2007 - 3/2017)</i>	35 7/8 x 40 7/8	1693339	2791239	1191239	0381339	9048430	9073781	9129118
<b>3072E</b>	35 7/8 x 44 7/8	N/A	N/A	N/A	N/A	N/A	N/A	N/A
<b>3076E</b>	35 7/8 x 46 7/8	N/A	N/A	N/A	N/A	N/A	N/A	N/A

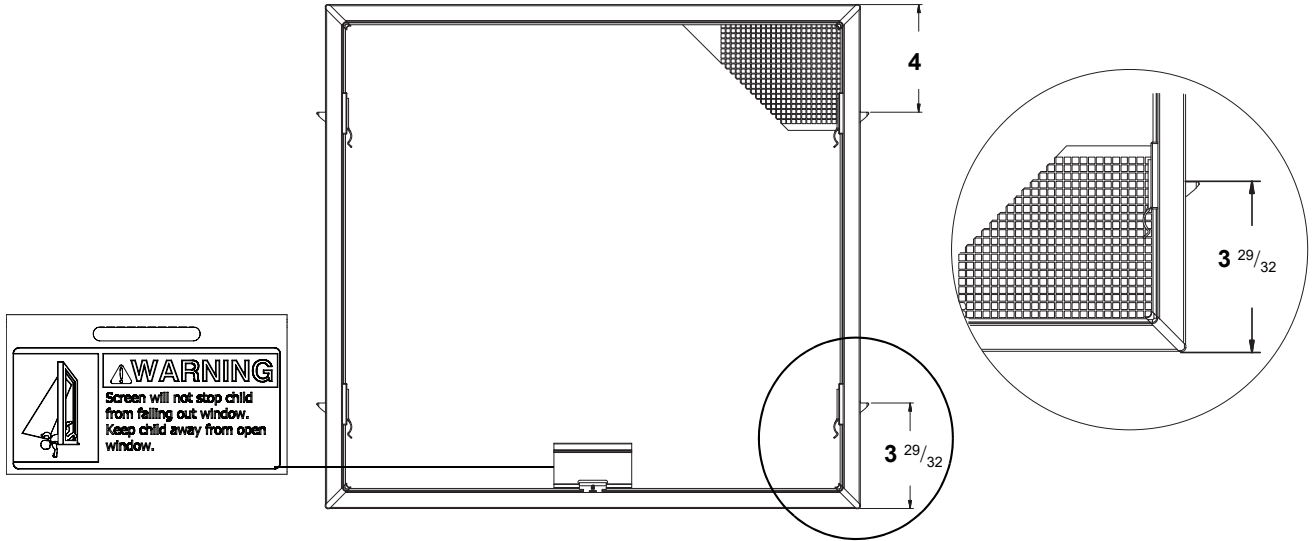


# 400 Series Tilt-Wash (TW) Windows (1992 to Present)

Standard Windows

## Insect Screens

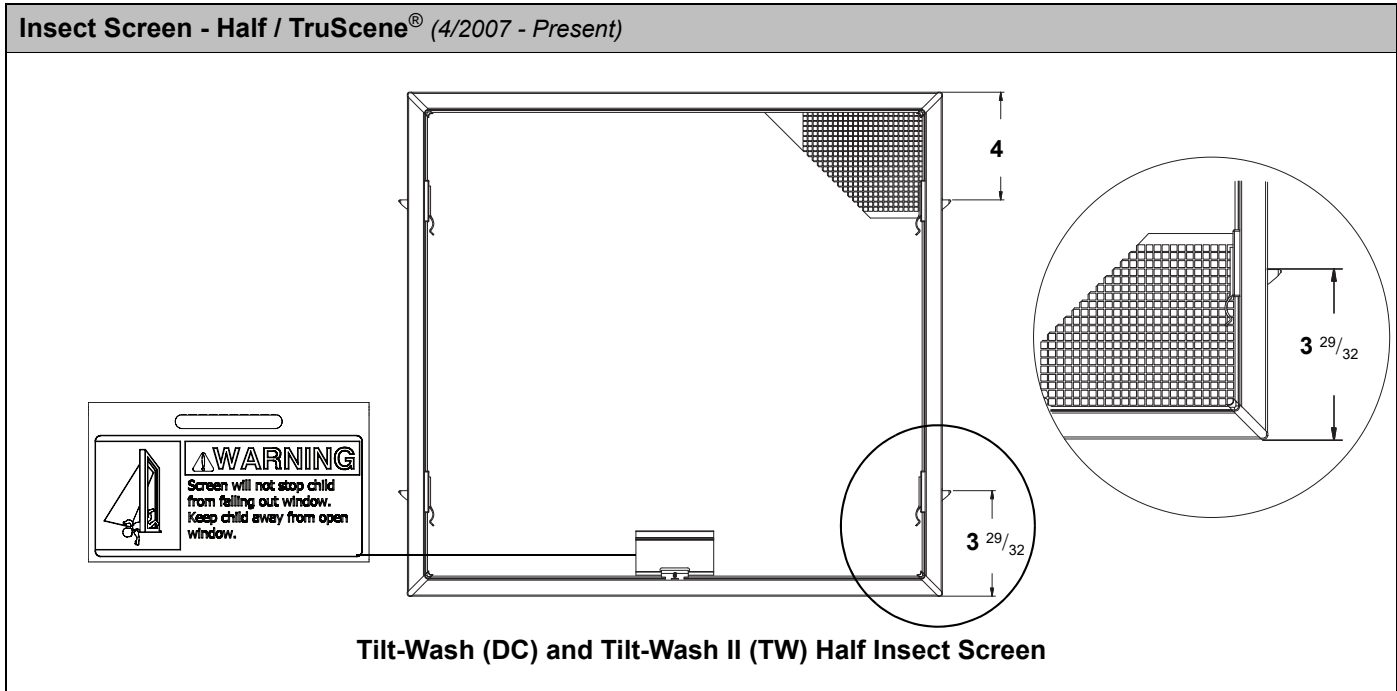
### Insect Screen - Half / TruScene® (4/2007 - Present)



Tilt-Wash (DC) and Tilt-Wash II (TW) Half Insect Screen

	Unit No.	Dimensions (w x h)	Colors						
			White	Terra- tone®	Sand- tone	Forest Green	Canvas	Dark Bronze	Black
<b>34</b>	<b>34210E/3436RC/3432RC</b>	39 7/8 x 18 7/8	1693244	2791144	1191144	0381244	9048350	9073701	9129038
	<b>3432E/34310RC</b>	39 7/8 x 20 7/8	1693243	2791143	1191143	0381243	9048349	9073700	9129037
	<b>3436E/3432C/3442RC</b>	39 7/8 x 22 7/8	1693242	2791142	1191142	0381242	9048348	9073699	9129036
	<b>34310E</b> (9/2017 - Present)	39 7/8 x 24 3/8	9168628	9168646	9168594	9168576	9168538	9168605	9168558
	<b>34310E</b> (2007 - 8/2017)	39 7/8 x 24 7/8	1693241	2791141	1191141	0381241	9048347	9073698	9129035
	<b>3442E/3436C/3452RC</b>	39 7/8 x 26 7/8	1693240	2791140	1191140	0381240	9048346	9073697	9129034
	<b>3446E/3456RC</b> (4/2017 - Present)	39 7/8 x 28 3/8	9153205	9153204	OBD	9164083	9164101	9164119	9164137
	<b>3446E/34310C/3456RC</b> (2007 - 3/2017)	39 7/8 x 28 7/8	1693239	2791139	1191139	0381239	9048345	9073696	9129033
	<b>34410E/3442C</b>	39 7/8 x 30 7/8	1693238	2791138	1191138	0381238	9048344	9073695	9129032
	<b>3452E/3446C/34510RC</b>	39 7/8 x 32 7/8	1693237	2791137	1191137	0381237	9048343	9073694	9129031
<b>34</b>	<b>3456E</b>	39 7/8 x 34 7/8	1693236	2791136	1191136	0381236	9048342	9073693	9129030
	<b>34510E/34410C/3462RC</b>	39 7/8 x 36 7/8	1693235	2791135	1191135	0381235	9048341	9073692	9129029
	<b>3462E/3452C</b>	39 7/8 x 38 7/8	1693234	2791134	1191134	0381234	9048340	9073691	9129028
	<b>3456C</b> (4/2017 - Present)	35 7/8 x 40 3/8	9153215	9153214	9153213	9164092	9164110	9164128	9164146
	<b>3462C/34510C/3456C</b> (2007 - 3/2017)	39 7/8 x 40 7/8	1693338	2791238	1191238	0381338	9048429	9073780	9129117
	<b>3472E</b>	39 7/8 x 44 7/8	N/A	N/A	N/A	N/A	N/A	N/A	N/A
	<b>3476E</b>	39 7/8 x 46 7/8	N/A	N/A	N/A	N/A	N/A	N/A	N/A

## Insect Screens



Unit No.	Dimensions (w x h)	White	Terra-tone®	Sand-tone	Forest Green	Canvas	Dark Bronze	Black
<b>38210E/3836RC/3832RC</b>	43 7/8 x 18 7/8	1693231	2791131	1191131	0381231	9048339	9073690	9129027
<b>3832E/38310RC</b>	43 7/8 x 20 7/8	1693230	2791130	1191130	0381230	9048338	9073689	9129026
<b>3836E/3832C/3842RC</b>	43 7/8 x 22 7/8	1693229	2791129	1191129	0381229	9048337	9073688	9129025
<b>38310E</b> <i>(9/2017 - Present)</i>	43 7/8 x 24 3/8	9168627	9168645	9168593	9168575	9168537	9168604	9168557
<b>38310E</b> <i>(2007 - 8/2017)</i>	43 7/8 x 24 7/8	1693228	2791128	1191128	0381228	9048336	9073687	9129024
<b>3842E/3836C/3852RC</b>	43 7/8 x 26 7/8	1693227	2791127	1191127	0381227	9048335	9073686	9129023
<b>3846E/3856RC</b> <i>(4/2017 - Present)</i>	43 7/8 x 28 3/8	9153224	9153223	OBD	9164082	9164100	9164118	9164136
<b>3846E/38310C/3856RC</b> <i>(2007 - 3/2017)</i>	43 7/8 x 28 7/8	1693226	2791126	1191126	0381226	9048334	9073685	9129022
<b>38410E/3842C</b>	43 7/8 x 30 7/8	1693225	2791125	1191125	0381225	9048333	9073684	9129021
<b>3852E/3846C/38510RC</b>	43 7/8 x 32 7/8	1693224	2791124	1191124	0381224	9048332	9073683	9129020
<b>3856E</b>	43 7/8 x 34 7/8	1693223	2791123	1191123	0381223	9048331	9073682	9129019
<b>38510E/38410C/3862RC</b>	43 7/8 x 36 7/8	1693222	2791122	1191122	0381222	9048330	9073681	9129018
<b>3862E/3852C</b>	43 7/8 x 38 7/8	1693221	2791121	1191121	0381221	9048329	9073680	9129017
<b>3856C</b> <i>(4/2017 - Present)</i>	43 7/8 x 40 3/8	9153234	9153233	9153232	9164091	9164109	9164127	9164145
<b>3862C/38510C/3856C</b> <i>(2007 - 3/2017)</i>	43 7/8 x 40 7/8	1693337	2791237	1191237	0381337	9048428	9073779	9129116
<b>3872E</b>	43 7/8 x 44 7/8	N/A	N/A	N/A	N/A	N/A	N/A	N/A

# 400 Series Tilt-Wash (TW) Windows (1992 to Present)

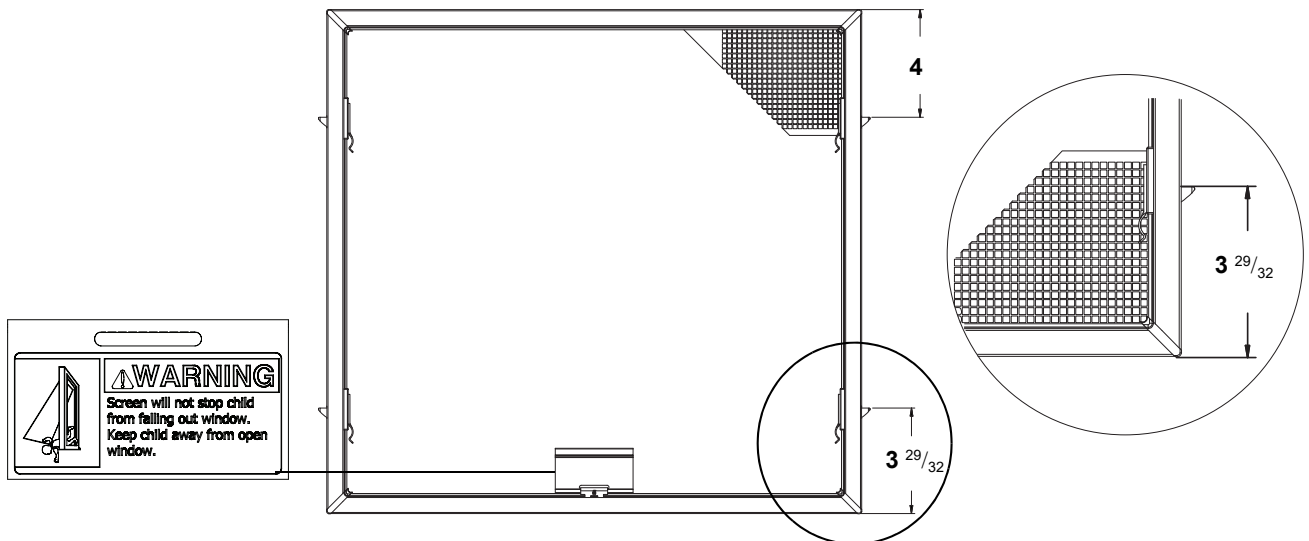
Standard Windows

## Insect Screens

### Insect Screens - Half / Even & Cottage / Standard Mesh (4/2007 - Present)

**Note:**

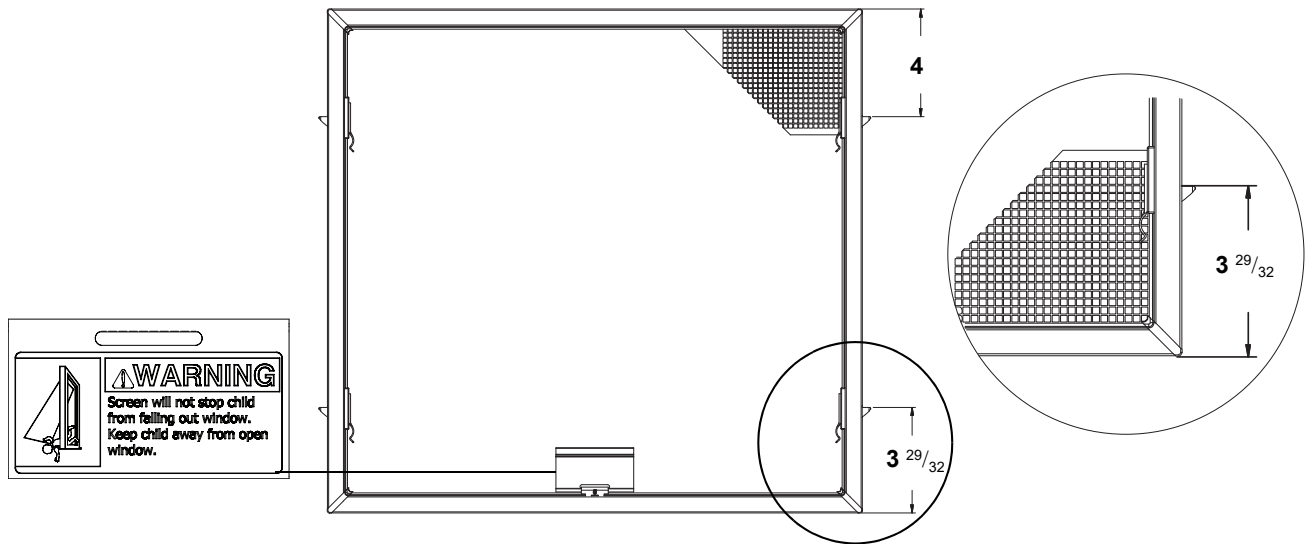
Half Insect Screens not for use on 400 Tilt-Wash Double-Hung Stormwatch® units. See [Accessory Guide 0005475](#) for complete screen assembly detail. See [Replacement Video](#). Can be used on units made prior to 2007.



Tilt-Wash (DC) and Tilt-Wash II (TW) Half Insect Screen

## Insect Screens

### Insect Screen - Half / Standard Mesh (4/2007 - Present)



Tilt-Wash (DC) and Tilt-Wash II (TW) Half Insect Screen

Unit No.	Dimensions (w x h)	Color Options						
		White	Terra-tone®	Sand-tone	Forest Green	Canvas	Dark Bronze	Black
<b>18210E/1836RC/1832RC</b>	19 7/8 x 18 7/8	1693218	2791118	1191118	0381218	9048328	9073679	9129016
<b>1832E/18310RC</b>	19 7/8 x 20 7/8	1693217	2791117	1191117	0381217	9048327	9073678	9129015
<b>1836E/1832C/1842RC</b>	19 7/8 x 22 7/8	1693216	2791116	1191116	0381216	9048326	9073677	9129014
<b>18310E</b> <i>(9/2017 - Present)</i>	19 7/8 x 24 3/8	9168626	9168644	9168592	9168574	9168536	9168603	9168556
<b>18310E</b> <i>(2007 - 8/2017)</i>	19 7/8 x 24 7/8	1693215	2791115	1191115	0381215	9048325	9073676	9129013
<b>1842E/1836C/1852RC</b>	19 7/8 x 26 7/8	1693214	2791114	1191114	0381214	9048324	9073675	9129012
<b>1846E/1856RC</b> <i>(4/2017 - Present)</i>	19 7/8 x 28 3/8	9153063	9153062	9153061	9153060	9153058	9153059	9153057
<b>1846E/18310C/1856RC</b> <i>(2007 - 3/2017)</i>	19 7/8 x 28 7/8	1693213	2791113	1191113	0381213	9048323	9073674	9129011
<b>18410E/1842C</b>	19 7/8 x 30 7/8	1693212	2791112	1191112	0381212	9048322	9073673	9129010
<b>1852E/1846C/18510RC</b>	19 7/8 x 32 7/8	1693211	2791111	1191111	0381211	9048321	9073672	9129009
<b>1856E</b>	19 7/8 x 34 7/8	1693210	2791110	1191110	0381210	9048320	9073671	9129008
<b>18510E/18410C/1862RC</b>	19 7/8 x 36 7/8	1693209	2791109	1191109	0381209	9048319	9073670	9129007
<b>1862E/1852C</b>	19 7/8 x 38 7/8	1693208	2791108	1191108	0381208	9048318	9073669	9129006
<b>1856C</b> <i>(4/2017 - Present)</i>	19 7/8 x 40 3/8	9153073	9153072	9153071	9153070	9153068	9153069	9153067
<b>1862C/18510C/1856C</b> <i>(2007 - 3/2017)</i>	19 7/8 x 40 7/8	1693354	2791254	1191254	0381354	9048445	9073796	9129133
<b>1872E</b>	19 7/8 x 44 7/8	N/A	N/A	N/A	N/A	N/A	N/A	N/A
<b>1876E</b>	19 7/8 x 46 7/8	N/A	N/A	N/A	N/A	N/A	N/A	N/A

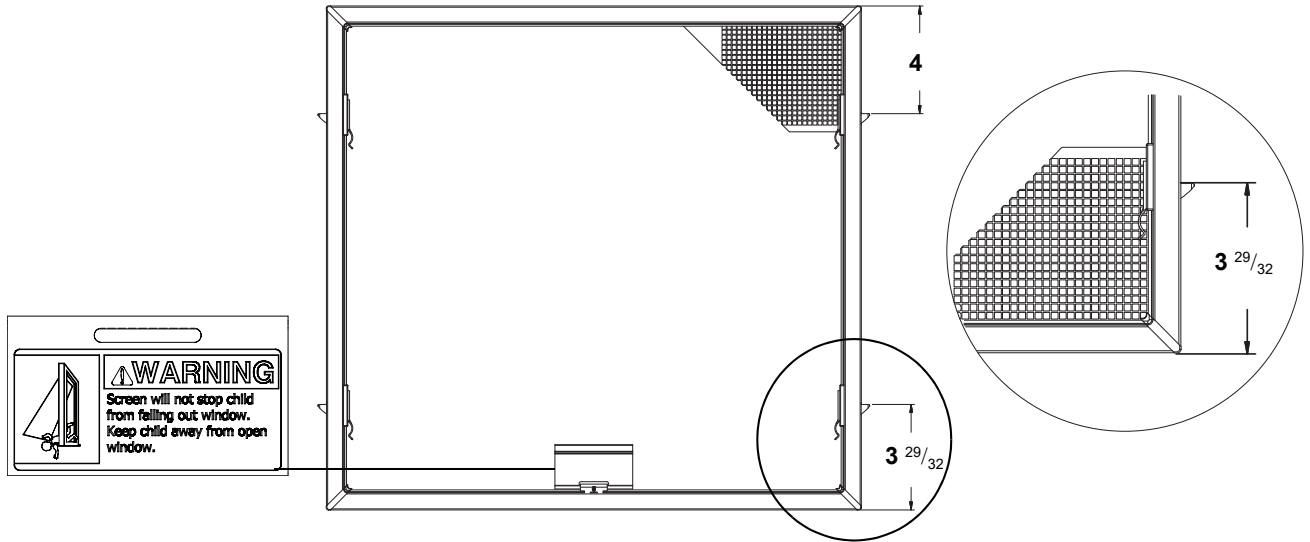
18

# 400 Series Tilt-Wash (TW) Windows (1992 to Present)

Standard Windows

## Insect Screens

### Insect Screen - Half / Standard Mesh (4/2007 - Present)



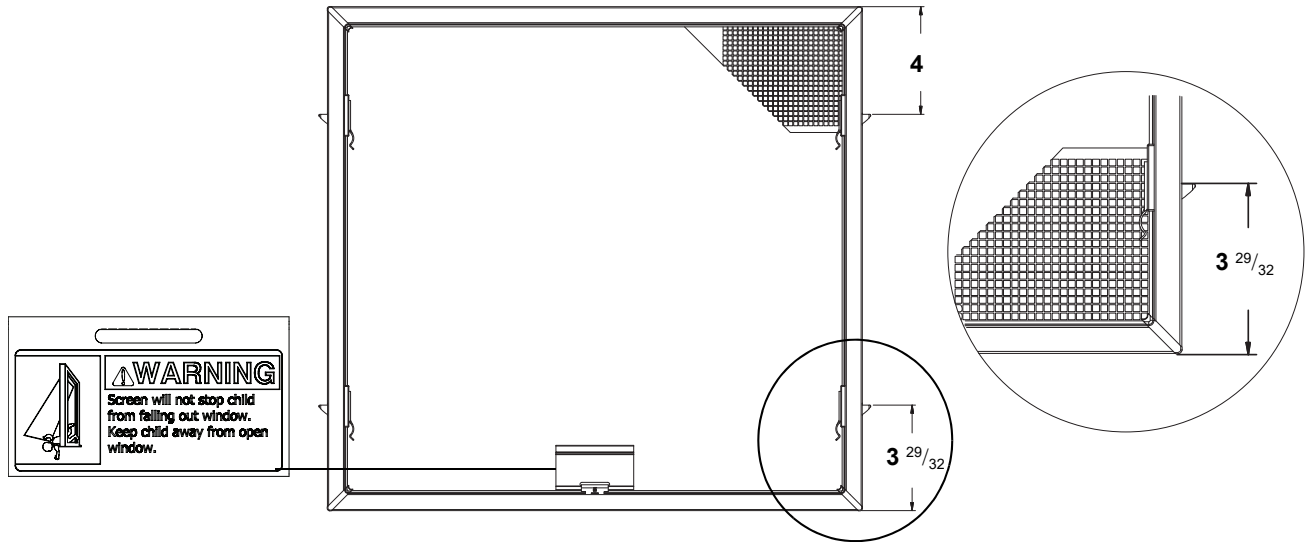
Tilt-Wash (DC) and Tilt-Wash II (TW) Half Insect Screen

Unit No.	Dimensions (w x h)	White	Terra-tone®	Sand-tone	Forest Green	Canvas	Dark Bronze	Black
<b>20210E/2036RC/2032RC</b>	23 <sup>7</sup> / <sub>8</sub> x 18 <sup>7</sup> / <sub>8</sub>	1693205	2791105	1191105	0381205	9048317	9073668	9129005
<b>2032E/20310RC</b>	23 <sup>7</sup> / <sub>8</sub> x 20 <sup>7</sup> / <sub>8</sub>	1693204	2791104	1191104	0381204	9048316	9073667	9129004
<b>2036E/2032C/2042RC</b>	23 <sup>7</sup> / <sub>8</sub> x 22 <sup>7</sup> / <sub>8</sub>	1693203	2791103	1191103	0381203	9048315	9073666	9129003
<b>20310E</b> (9/2017 - Present)	23 <sup>7</sup> / <sub>8</sub> x 24 <sup>3</sup> / <sub>8</sub>	9168625	9168643	9168591	9168573	9168535	9168602	9168555
<b>20310E</b> (2007 - 8/2017)	23 <sup>7</sup> / <sub>8</sub> x 24 <sup>7</sup> / <sub>8</sub>	1693202	2791102	1191102	0381202	9048314	9073665	9129002
<b>2042E/2036C/2052RC</b>	23 <sup>7</sup> / <sub>8</sub> x 26 <sup>7</sup> / <sub>8</sub>	1693201	2791101	1191101	0381201	9048313	9073664	9129001
<b>2046E/2056RC</b> (4/2017 - Present)	23 <sup>7</sup> / <sub>8</sub> x 28 <sup>3</sup> / <sub>8</sub>	9153083	9153082	9153081	9153080	9153078	9153079	9153077
<b>2046E/20310C/2056RC</b> (2007 - 3/2017)	23 <sup>7</sup> / <sub>8</sub> x 28 <sup>7</sup> / <sub>8</sub>	1693199	2791099	1191099	0381199	9048312	9073663	9129000
<b>20410E/2042C</b>	23 <sup>7</sup> / <sub>8</sub> x 30 <sup>7</sup> / <sub>8</sub>	1693198	2791098	1191098	0381198	9048311	9073662	9128999
<b>2052E/2046C/20510RC</b>	23 <sup>7</sup> / <sub>8</sub> x 32 <sup>7</sup> / <sub>8</sub>	1693197	2791097	1191097	0381197	9048310	9073661	9128998
<b>2056E</b>	23 <sup>7</sup> / <sub>8</sub> x 34 <sup>7</sup> / <sub>8</sub>	1693196	2791096	1191096	0381196	9048309	9073660	9128997
<b>20510E/20410C/2062RC</b>	23 <sup>7</sup> / <sub>8</sub> x 36 <sup>7</sup> / <sub>8</sub>	1693195	2791095	1191095	0381195	9048308	9073659	9128996
<b>2062E/2052C</b>	23 <sup>7</sup> / <sub>8</sub> x 38 <sup>7</sup> / <sub>8</sub>	1693194	2791094	1191094	0381194	9048307	9073658	9128995
<b>2056C</b> (4/2017 - Present)	23 <sup>7</sup> / <sub>8</sub> x 40 <sup>3</sup> / <sub>8</sub>	9153093	9153092	9153091	9153090	9153088	9153089	9153087
<b>2062C/20510C/2056C</b> (2007 - 3/2017)	23 <sup>7</sup> / <sub>8</sub> x 40 <sup>7</sup> / <sub>8</sub>	1693353	2791253	1191253	0381353	9048444	9073795	9129132
<b>2072E</b>	23 <sup>7</sup> / <sub>8</sub> x 44 <sup>7</sup> / <sub>8</sub>	N/A	N/A	N/A	N/A	N/A	N/A	N/A
<b>2076E</b>	23 <sup>7</sup> / <sub>8</sub> x 46 <sup>7</sup> / <sub>8</sub>	N/A	N/A	N/A	N/A	N/A	N/A	N/A

20

## Insect Screens

### Insect Screen - Half / Standard Mesh (4/2007 - Present)



Tilt-Wash (DC) and Tilt-Wash II (TW) Half Insect Screen

Unit No.	Dimensions (w x h)	White	Terra-tone®	Sand-tone	Forest Green	Canvas	Dark Bronze	Black
<b>24210E/2436RC/2432RC</b>	27 7/8 x 18 7/8	1693191	2791091	1191091	0381191	9048306	9073657	9128994
<b>2432E/24310RC</b>	27 7/8 x 20 7/8	1693190	2791090	1191090	0381190	9048305	9073656	9128993
<b>2436E/2432C/2442RC</b>	27 7/8 x 22 7/8	1693189	2791089	1191089	0381189	9048304	9073655	9128992
<b>24310E</b> <i>(9/2017 - Present)</i>	27 7/8 x 24 3/8	9168624	9168642	9168590	9168572	9168534	9168601	9168554
<b>24310E</b> <i>(2007 - 8/2017)</i>	27 7/8 x 24 7/8	1693188	2791088	1191088	0381188	9048303	9073654	9128991
<b>2442E/2436C/2452RC</b>	27 7/8 x 26 7/8	1693187	2791087	1191087	0381187	9048302	9073653	9128990
<b>2446E/2456RC</b> <i>(4/2017 - Present)</i>	27 7/8 x 28 3/8	9153123	9153122	9153121	9153120	9153118	9153119	9153117
<b>2446E/24310C/2456RC</b> <i>(2007 - 3/2017)</i>	27 7/8 x 28 7/8	1693186	2791086	1191086	0381186	9048301	9073652	9128989
<b>24410E/2442C</b>	27 7/8 x 30 7/8	1693185	2791085	1191085	0381185	9048300	9073651	9128988
<b>2452E/2446C/24510RC</b>	27 7/8 x 32 7/8	1693184	2791084	1191084	0381184	9048299	9073650	9128987
<b>2456E</b>	27 7/8 x 34 7/8	1693183	2791083	1191083	0381183	9048298	9073649	9128986
<b>24510E/24410C/2462RC</b>	27 7/8 x 36 7/8	1693182	2791082	1191082	0381182	9048297	9073648	9128985
<b>2462E/2452C</b>	27 7/8 x 38 7/8	1693181	2791081	1191081	0381181	9048296	9073647	9128984
<b>2456C</b> <i>(4/2017 - Present)</i>	27 7/8 x 40 3/8	9153133	9153132	9153131	9153130	9153128	9153129	9153127
<b>2462C/24510C/2456C</b> <i>(2007 - 3/2017)</i>	27 7/8 x 40 7/8	1693352	2791252	1191252	0381352	9048443	9073794	9129131
<b>2472E</b>	27 7/8 x 44 7/8	N/A	N/A	N/A	N/A	N/A	N/A	N/A
<b>2476E</b>	27 7/8 x 46 7/8	N/A	N/A	N/A	N/A	N/A	N/A	N/A

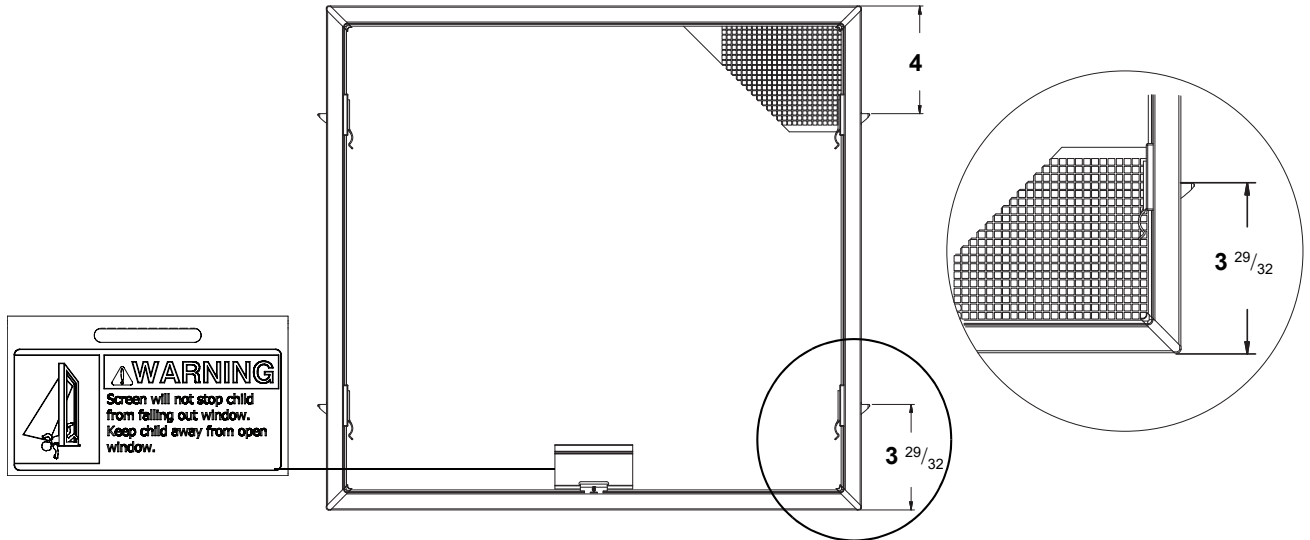
24

# 400 Series Tilt-Wash (TW) Windows (1992 to Present)

Standard Windows

## Insect Screens

### Insect Screen - Half / Standard Mesh (4/2007 - Present)



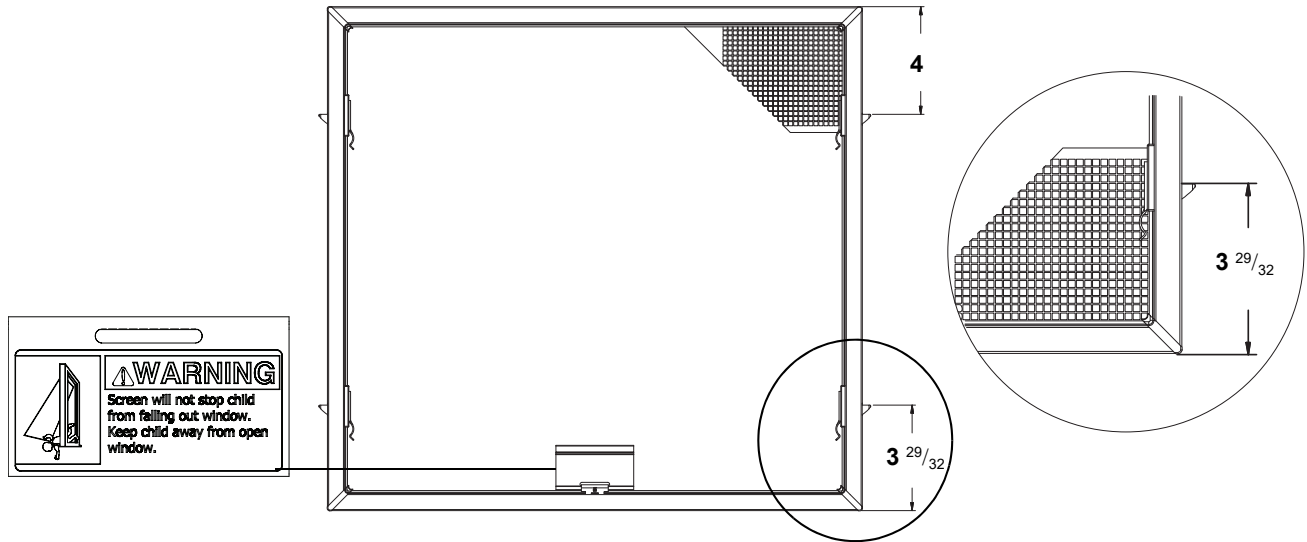
Tilt-Wash (DC) and Tilt-Wash II (TW) Half Insect Screen

Unit No.	Dimensions (w x h)	White	Terra-tone®	Sand-tone	Forest Green	Canvas	Dark Bronze	Black
26210E/2636RC/2632RC	29 <sup>7</sup> / <sub>8</sub> x 18 <sup>7</sup> / <sub>8</sub>	1693178	2791078	1191078	0381178	9048295	9073646	9128983
2632E/26310RC	29 <sup>7</sup> / <sub>8</sub> x 20 <sup>7</sup> / <sub>8</sub>	1693177	2791077	1191077	0381177	9048294	9073645	9128982
2636E/2632C/2642RC	29 <sup>7</sup> / <sub>8</sub> x 22 <sup>7</sup> / <sub>8</sub>	1693176	2791076	1191076	0381176	9048293	9073644	9128981
26310E (9/2017 - Present)	29 <sup>7</sup> / <sub>8</sub> x 24 <sup>3</sup> / <sub>8</sub>	9168623	9168641	9168589	9168571	9168533	9168600	9168553
26310E (2007 - 8/2017)	29 <sup>7</sup> / <sub>8</sub> x 24 <sup>7</sup> / <sub>8</sub>	1693175	2791075	1191075	0381175	9048292	9073643	9128980
2642E/2636C/2652RC	29 <sup>7</sup> / <sub>8</sub> x 26 <sup>7</sup> / <sub>8</sub>	1693174	2791074	1191074	0381174	9048291	9073642	9128979
2646E/2656RC (4/2017 - Present)	29 <sup>7</sup> / <sub>8</sub> x 28 <sup>3</sup> / <sub>8</sub>	9153143	9153142	9153141	9153140	9153138	9153139	9153137
2646E/26310C/2656RC (2007 - 3/2017)	29 <sup>7</sup> / <sub>8</sub> x 28 <sup>7</sup> / <sub>8</sub>	1693173	2791073	1191073	0381173	9048290	9073641	9128978
26410E/2642C	29 <sup>7</sup> / <sub>8</sub> x 30 <sup>7</sup> / <sub>8</sub>	1693172	2791072	1191072	0381172	9048289	9073640	9128977
2652E/2646C/26510RC	29 <sup>7</sup> / <sub>8</sub> x 32 <sup>7</sup> / <sub>8</sub>	1693171	2791071	1191071	0381171	9048288	9073639	9128976
2656E	29 <sup>7</sup> / <sub>8</sub> x 34 <sup>7</sup> / <sub>8</sub>	1693170	2791070	1191070	0381170	9048287	9073638	9128975
26510E/26410C/2662RC	29 <sup>7</sup> / <sub>8</sub> x 36 <sup>7</sup> / <sub>8</sub>	1693169	2791069	1191069	0381169	9048286	9073637	9128974
2662E/2652C	29 <sup>7</sup> / <sub>8</sub> x 38 <sup>7</sup> / <sub>8</sub>	1693168	2791068	1191068	0381168	9048285	9073636	9128973
2656C (4/2017 - Present)	29 <sup>7</sup> / <sub>8</sub> x 40 <sup>3</sup> / <sub>8</sub>	9153153	9153152	9153151	9153150	9153148	9153149	9153147
2662C/26510C/2656C (2007 - 3/2017)	29 <sup>7</sup> / <sub>8</sub> x 40 <sup>7</sup> / <sub>8</sub>	1693351	2791251	1191251	0381351	9048442	9073793	9129130
2672E	29 <sup>7</sup> / <sub>8</sub> x 44 <sup>7</sup> / <sub>8</sub>	N/A	N/A	N/A	N/A	N/A	N/A	N/A
2676E	29 <sup>7</sup> / <sub>8</sub> x 46 <sup>7</sup> / <sub>8</sub>	N/A	N/A	N/A	N/A	N/A	N/A	N/A

26

## Insect Screens

### Insect Screen - Half / Standard Mesh (4/2007 - Present)



Tilt-Wash (DC) and Tilt-Wash II (TW) Half Insect Screen

Unit No.	Dimensions (w x h)	White	Terra-tone®	Sand-tone	Forest Green	Canvas	Dark Bronze	Black
<b>28210E/2836RC/2832RC</b>	31 7/8 x 18 7/8	1693165	2791065	1191065	0381165	9048284	9073635	9128972
<b>2832E/28310RC</b>	31 7/8 x 20 7/8	1693164	2791064	1191064	0381164	9048283	9073634	9128971
<b>2836E/2832C/2842RC</b>	31 7/8 x 22 7/8	1693163	2791063	1191063	0381163	9048282	9073633	9128970
<b>28310E</b> <i>(9/2017 - Present)</i>	31 7/8 x 24 3/8	9168622	9168640	9168588	9168570	9168532	9168599	9168552
<b>28310E</b> <i>(2007 - 8/2017)</i>	31 7/8 x 24 7/8	1693162	2791062	1191062	0381162	9048281	9073632	9128969
<b>2842E/2836C/2852RC</b>	31 7/8 x 26 7/8	1693161	2791061	1191061	0381161	9048280	9073631	9128968
<b>2846E/2856RC</b> <i>(4/2017 - Present)</i>	31 7/8 x 28 3/8	9153163	9153162	9153161	9153160	9153158	9153159	9153157
<b>2846E/28310C/2856RC</b> <i>(2007 - 3/2017)</i>	31 7/8 x 28 7/8	1693160	2791060	1191060	0381160	9048279	9073630	9128967
<b>28410E/2842C</b>	31 7/8 x 30 7/8	1693159	2791059	1191059	0381159	9048278	9073629	9128966
<b>2852E/2846C/28510RC</b>	31 7/8 x 32 7/8	1693158	2791058	1191058	0381158	9048277	9073628	9128965
<b>2856E</b>	31 7/8 x 34 7/8	1693157	2791057	1191057	0381157	9048276	9073627	9128964
<b>28510E/28410C/2862RC</b>	31 7/8 x 36 7/8	1693156	2791056	1191056	0381156	9048275	9073626	9128963
<b>2862E/2852C</b>	31 7/8 x 38 7/8	1693155	2791055	1191055	0381155	9048274	9073625	9128962
<b>2856C</b> <i>(4/2017 - Present)</i>	31 7/8 x 40 3/8	9153173	9153172	9153171	9153170	9153168	9153169	9153167
<b>2862C/28510C/2856C</b>	31 7/8 x 40 7/8	1693350	2791250	1191250	0381350	9048441	9073792	9129129
<b>2872E</b>	31 7/8 x 44 7/8	N/A	N/A	N/A	N/A	N/A	N/A	N/A
<b>2876E</b>	31 7/8 x 46 7/8	N/A	N/A	N/A	N/A	N/A	N/A	N/A

28

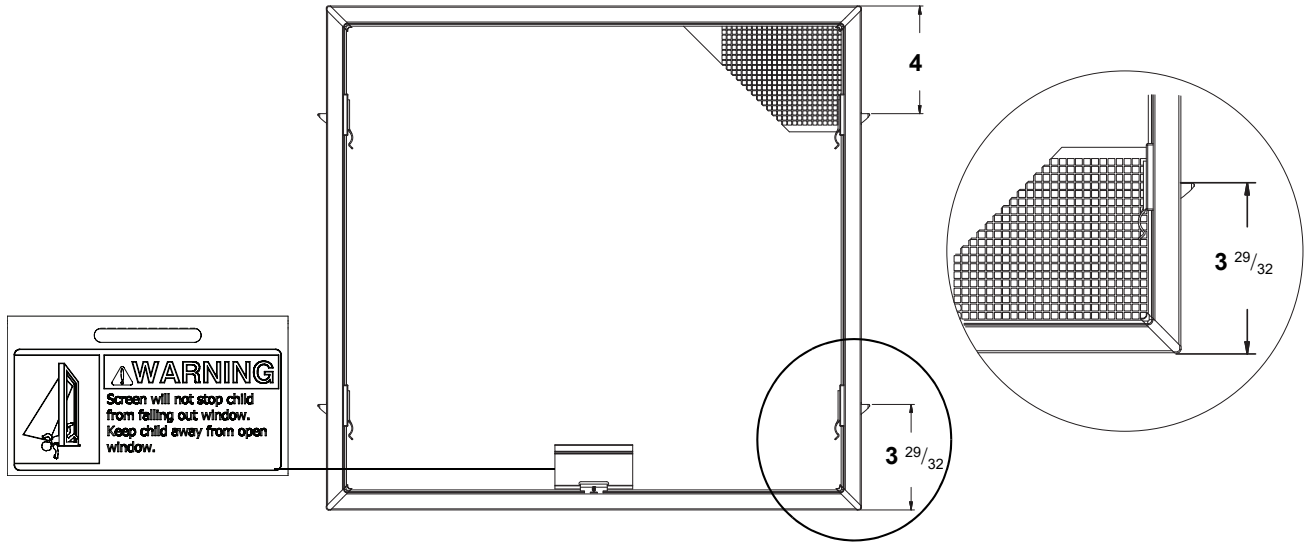


# 400 Series Tilt-Wash (TW) Windows (1992 to Present)

Standard Windows

## Insect Screens

### Insect Screen - Half / Standard Mesh (4/2007 - Present)



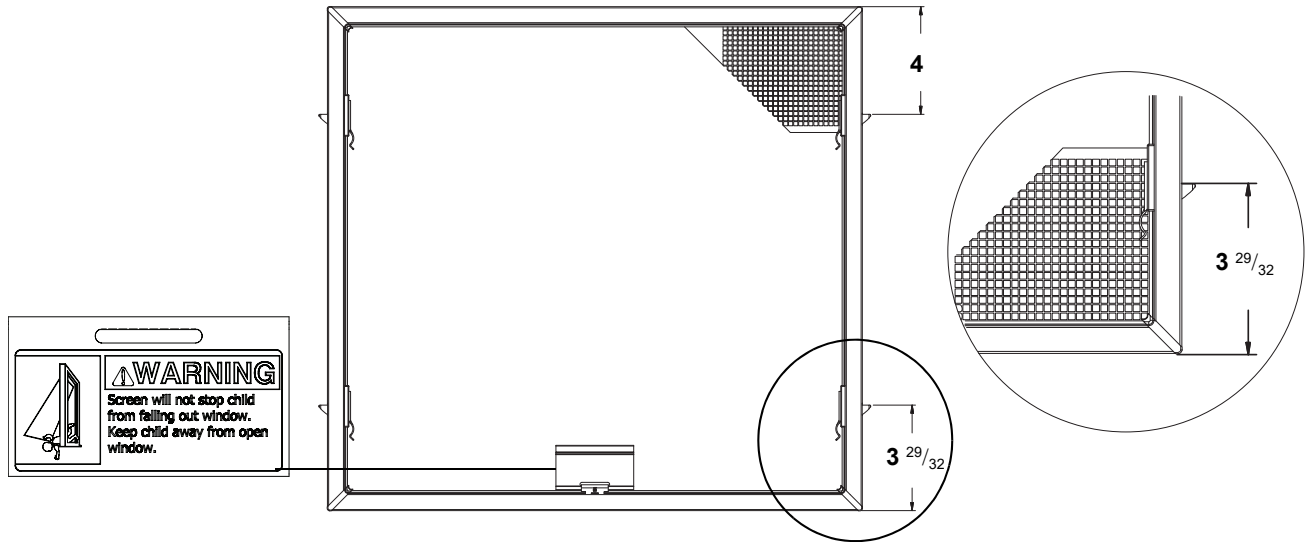
Tilt-Wash (DC) and Tilt-Wash II (TW) Half Insect Screen

Unit No.	Dimensions (w x h)	Color Options						
		White	Terra-tone®	Sand-tone	Forest Green	Canvas	Dark Bronze	Black
<b>210210E/21036RC/21032RC</b>	33 7/8 x 18 7/8	1693152	2791052	1191052	0381152	9048273	9073624	9128961
<b>21032E/210310RC</b>	33 7/8 x 20 7/8	1693151	2791051	1191051	0381151	9048272	9073623	9128960
<b>21036E/21032C/21042RC</b>	33 7/8 x 22 7/8	1693150	2791050	1191050	0381150	9048271	9073622	9128959
<b>210310E</b> (9/2017 - Present)	33 7/8 x 24 3/8	9168621	9168639	9168587	9168569	9168531	9168598	9168551
<b>210310E</b> (2007 - 8/2017)	33 7/8 x 24 7/8	1693149	2791049	1191049	0381149	9048270	9073621	9128958
<b>21042E/21036C/21052RC</b>	33 7/8 x 26 7/8	1693148	2791048	1191048	0381148	9048269	9073620	9128957
<b>21046E/21056RC</b> (4/2017 - Present)	33 7/8 x 28 3/8	9153103	9153102	9153101	9153100	9153098	9153099	9153097
<b>21046E/210310C/21056RC</b> (2007 - 3/2017)	33 7/8 x 28 7/8	1693147	2791047	1191047	0381147	9048268	9073619	9128956
<b>210410E/21042C</b>	33 7/8 x 30 7/8	1693146	2791046	1191046	0381146	9048267	9073618	9128955
<b>21052E/21046C/210510RC</b>	33 7/8 x 32 7/8	1693145	2791045	1191045	0381145	9048266	9073617	9128954
<b>21056E</b>	33 7/8 x 34 7/8	1693144	2791044	1191044	0381144	9048265	9073616	9128953
<b>210510E/210410C/21062RC</b>	33 7/8 x 36 7/8	1693143	2791043	1191043	0381143	9048264	9073615	9128952
<b>21062E/21052C</b>	33 7/8 x 38 7/8	1693142	2791042	1191042	0381142	9048263	9073614	9128951
<b>21056C</b> (4/2017 - Present)	33 7/8 x 40 3/8	9153113	9153112	9153111	9153110	9153108	9153109	9153107
<b>21062C/210510C/21056C</b> (2007 - 3/2017)	33 7/8 x 40 7/8	1693349	2791249	1191249	0381349	9048440	9073791	9129128
<b>21072E</b>	33 7/8 x 44 7/8	N/A	N/A	N/A	N/A	N/A	N/A	N/A
<b>21076E</b>	33 7/8 x 46 7/8	N/A	N/A	N/A	N/A	N/A	N/A	N/A

210

## Insect Screens

### Insect Screen - Half / Standard Mesh (4/2007 - Present)



Tilt-Wash (DC) and Tilt-Wash II (TW) Half Insect Screen

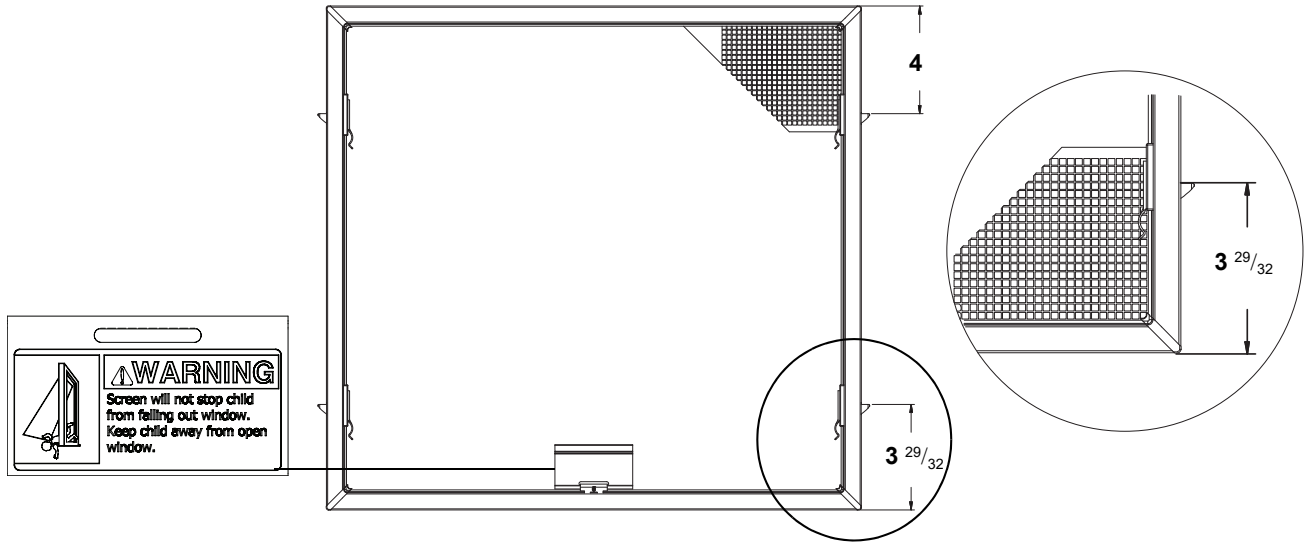
Unit No.	Dimensions (w x h)	White	Terra-tone®	Sand-tone	Forest Green	Canvas	Dark Bronze	Black
<b>30210E/3036RC/3032RC</b>	35 7/8 x 18 7/8	1693139	2791039	1191039	0381139	9048262	9073613	9128950
<b>3032E/30310RC</b>	35 7/8 x 20 7/8	1693138	2791038	1191038	0381138	9048261	9073612	9128949
<b>3036E/3032C/3042RC</b>	35 7/8 x 22 7/8	1693137	2791037	1191037	0381137	9048260	9073611	9128948
<b>30310E</b> <i>(9/2017 - Present)</i>	35 7/8 x 24 3/8	9168620	9168638	9168586	9168568	9168530	9168597	9168550
<b>30310E</b> <i>(2007 - 8/2017)</i>	35 7/8 x 24 7/8	1693136	2791036	1191036	0381136	9048259	9073610	9128947
<b>3042E/3036C/3052RC</b>	35 7/8 x 26 7/8	1693135	2791035	1191035	0381135	9048258	9073609	9128946
<b>3046E/3056RC</b> <i>(4/2017 - Present)</i>	35 7/8 x 28 3/8	9153183	9153182	9153181	9153180	9153178	9153179	9153177
<b>3046E/30310C/3056RC</b> <i>(2007 - 3/2017)</i>	35 7/8 x 28 7/8	1693134	2791034	1191034	0381134	9048257	9073608	9128945
<b>30410E/3042C</b>	35 7/8 x 30 7/8	1693133	2791033	1191033	0381133	9048256	9073607	9128944
<b>3052E/3046C/30510RC</b>	35 7/8 x 32 7/8	1693132	2791032	1191032	0381132	9048255	9073606	9128943
<b>3056E</b>	35 7/8 x 34 7/8	1693131	2791031	1191031	0381131	9048254	9073605	9128942
<b>30510E/30410C/3062RC</b>	35 7/8 x 36 7/8	1693130	2791030	1191030	0381130	9048253	9073604	9128941
<b>3062E/3052C</b>	35 7/8 x 38 7/8	1693129	2791029	1191029	0381129	9048252	9073603	9128940
<b>3056C</b> <i>(4/2017 - Present)</i>	35 7/8 x 40 3/8	9153193	9153192	9153191	9153190	9153188	9153189	9153187
<b>3062C/30510C/3056C</b> <i>(2007 - 3/2017)</i>	35 7/8 x 40 7/8	1693348	2791248	1191248	0381348	9048439	9073790	9129127
<b>3072E</b>	35 7/8 x 44 7/8	N/A	N/A	N/A	N/A	N/A	N/A	N/A
<b>3076E</b>	35 7/8 x 46 7/8	N/A	N/A	N/A	N/A	N/A	N/A	N/A

# 400 Series Tilt-Wash (TW) Windows (1992 to Present)

Standard Windows

## Insect Screens

### Insect Screen - Half / Standard Mesh (4/2007 - Present)



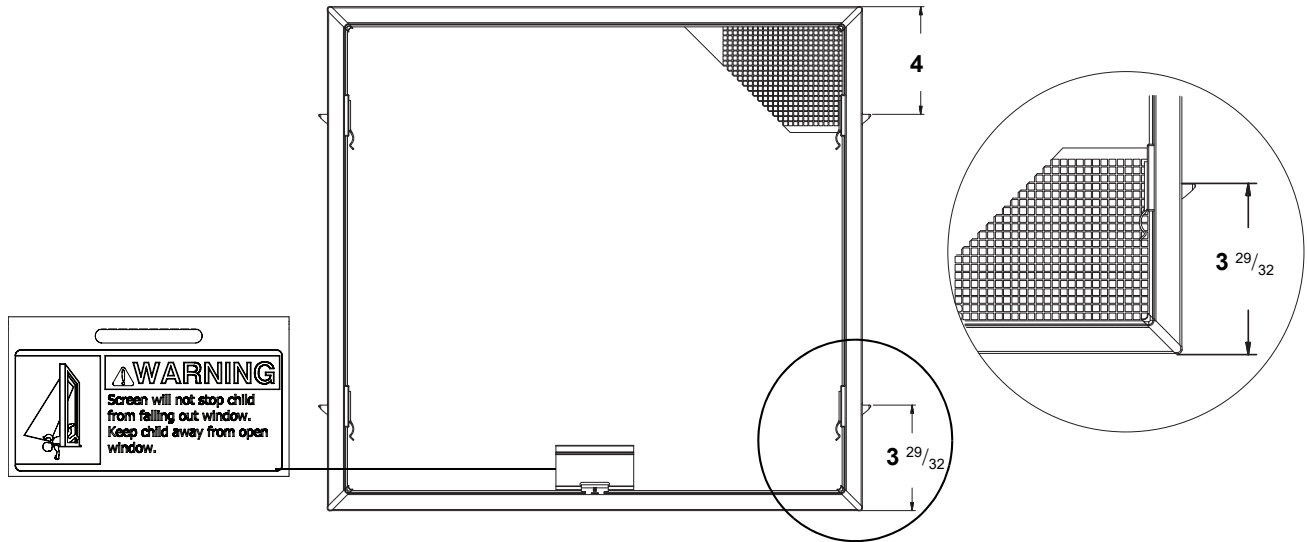
Tilt-Wash (DC) and Tilt-Wash II (TW) Half Insect Screen

Unit No.	Dimensions (w x h)	Color Options							
		White	Terra-tone®	Sand-tone	Forest Green	Canvas	Dark Bronze	Black	
<b>34210E/3436RC/3432RC</b>	39 7/8 x 18 7/8	1693126	2791026	1191026	0381126	9048251	9073602	9128939	
<b>3432E/34310RC</b>	39 7/8 x 20 7/8	1693125	2791025	1191025	0381125	9048250	9073601	9128938	
<b>3436E/3432C/3442RC</b>	39 7/8 x 22 7/8	1693124	2791024	1191024	0381124	9048249	9073600	9128937	
<b>34310E</b> (9/2017 - Present)	39 7/8 x 24 3/8	9168619	9168637	9168585	9168567	9168529	9168547	9168549	
<b>34310E</b> (2007 - 8/2017)	39 7/8 x 24 7/8	1693123	2791023	1191023	0381123	9048248	9073599	9128936	
<b>3442E/3436C/3452RC</b>	39 7/8 x 26 7/8	1693122	2791022	1191022	0381122	9048247	9073598	9128935	
<b>3446E/3056RC</b> (4/2017 - Present)	39 7/8 x 28 3/8	9153203	9153202	9153201	9153200	9153198	9153199	9153197	
<b>3446E/34310C/3456RC</b> (2007 - 3/2017)	39 7/8 x 28 7/8	1693121	2791021	1191021	0381121	9048246	9073597	9128934	
<b>34410E/3442C</b>	39 7/8 x 30 7/8	1693120	2791020	1191020	0381120	9048245	9073596	9128933	
<b>3452E/3446C/34510RC</b>	39 7/8 x 32 7/8	1693119	2791019	1191019	0381119	9048244	9073595	9128932	
<b>3456E</b>	39 7/8 x 34 7/8	1693118	2791018	1191018	0381118	9048243	9073594	9128931	
<b>34510E/34410C/3462RC</b>	39 7/8 x 36 7/8	1693117	2791017	1191017	0381117	9048242	9073593	9128930	
<b>3462E/3452C</b>	39 7/8 x 38 7/8	1693116	2791016	1191016	0381116	9048241	9073592	9128929	
<b>3456C</b> (4/2017 - Present)	39 7/8 x 40 3/8	9153212	9153211	9153210	9153209	9153207	9153208	9153206	
<b>3462C/34510C/3456C</b> (2007 - 3/2017)	39 7/8 x 40 7/8	1693347	2791247	1191247	0381347	9048438	9073789	9129126	
<b>3472E</b>	39 7/8 x 44 7/8	N/A	N/A	N/A	N/A	N/A	N/A	N/A	
<b>3476E</b>	39 7/8 x 46 7/8	N/A	N/A	N/A	N/A	N/A	N/A	N/A	

34

## Insect Screens

### Insect Screen - Half / Standard Mesh (4/2007 - Present)



Tilt-Wash (DC) and Tilt-Wash II (TW) Half Insect Screen

Unit No.	Dimensions (w x h)	White	Terra-tone®	Sand-tone	Forest Green	Canvas	Dark Bronze	Black
<b>38210E/3836RC/3832RC</b>	43 7/8 x 18 7/8	1693113	2791013	1191013	0381113	9048240	9073591	9128928
<b>3832E/38310RC</b>	43 7/8 x 20 7/8	1693112	2791012	1191012	0381112	9048239	9073590	9128927
<b>3836E/3832C/3842RC</b>	43 7/8 x 22 7/8	1693111	2791011	1191011	0381111	9048238	9073589	9128926
<b>38310E</b> <i>(9/2017 - Present)</i>	43 7/8 x 24 3/8	9168618	9168636	9168584	9168566	9168528	9168546	9168548
<b>38310E</b> <i>(2007 - 8/2017)</i>	43 7/8 x 24 7/8	1693110	2791010	1191010	0381110	9048237	9073588	9128925
<b>3842E/3836C/3852RC</b>	43 7/8 x 26 7/8	1693109	2791009	1191009	0381109	9048236	9073587	9128924
<b>3446E/3056RC</b> <i>(4/2017 - Present)</i>	39 7/8 x 28 3/8	9153222	9153221	9153220	9153219	9153217	9153218	9153216
<b>38</b> <b>3846E/38310C/3856RC</b> <i>(2007 - 3/2017)</i>	43 7/8 x 28 7/8	1693108	2791008	1191008	0381108	9048235	9073586	9128923
<b>38410E/3842C</b>	43 7/8 x 30 7/8	1693107	2791007	1191007	0381107	9048234	9073585	9128922
<b>3852E/3846C/38510RC</b>	43 7/8 x 32 7/8	1693106	2791006	1191006	0381106	9048233	9073584	9128921
<b>3856E</b>	43 7/8 x 34 7/8	1693105	2791005	1191005	0381105	9048232	9073583	9128920
<b>38510E/38410C/3862RC</b>	43 7/8 x 36 7/8	1693104	2791004	1191004	0381104	9048231	9073582	9128919
<b>3862E/3852C</b>	43 7/8 x 38 7/8	1693103	2791003	1191003	0381103	9048230	9073581	9128918
<b>3456C</b> <i>(4/2017 - Present)</i>	39 7/8 x 40 3/8	9153231	9153230	9153229	9153228	9153226	9153227	9153225
<b>3862C/38510C/3856C</b> <i>(2007 - 3/2017)</i>	43 7/8 x 40 7/8	1693346	2791246	1191246	0381346	9048437	9073788	9129125
<b>3872E</b>	43 7/8 x 44 7/8	N/A	N/A	N/A	N/A	N/A	N/A	N/A

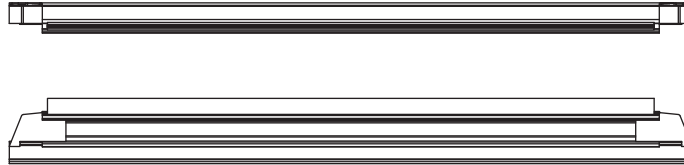
## 400 Series Tilt-Wash (TW) Windows (1992 to Present)

*Standard Windows*

### Insect Screens

#### Insect Screen Bug Seal - Half

##### Bug Seal Assembly - Insect Screen




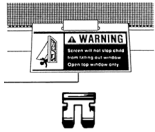

Unit No.	Length	White	Terratone®	Sandtone	Forest Green	Canvas	Dark Bronze	Black
<b>18</b>	<b>19</b> <sup>3</sup> / <sub>4</sub>	1693408	2791255	1191304	0381355	9076687	9076919	9129179
<b>20</b>	<b>23</b> <sup>3</sup> / <sub>4</sub>	1693409	2791256	1191305	0381356	9076688	9076920	9129180
<b>24</b>	<b>27</b> <sup>3</sup> / <sub>4</sub>	1693410	2791257	1191306	0381357	9076689	9076921	9129181
<b>26</b>	<b>29</b> <sup>3</sup> / <sub>4</sub>	1693411	2791258	1191307	0381358	9076690	9076922	9129182
<b>28</b>	<b>31</b> <sup>3</sup> / <sub>4</sub>	1693412	2791259	1191308	0381359	9076691	9076923	9129183
<b>210</b>	<b>33</b> <sup>3</sup> / <sub>4</sub>	1693413	2791260	1191309	0381360	9076692	9076924	9129184
<b>30</b>	<b>35</b> <sup>3</sup> / <sub>4</sub>	1693414	2791261	1191310	0381361	9076693	9076925	9129185
<b>34</b>	<b>39</b> <sup>3</sup> / <sub>4</sub>	1693415	2791262	1191311	0381362	9076694	9076926	9129186
<b>38</b>	<b>43</b> <sup>3</sup> / <sub>4</sub>	1693416	2791263	1191312	0381363	9076695	9076927	9129187

##### Bug Seal Pile - Half Insect Screen

	Length	Order No.
	41 <sup>25</sup> / <sub>64</sub>	1693407

## Insect Screens

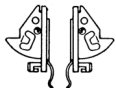
### Insect Screen Hardware

Finger Pull - Insect Screen / Full		Order No.
		8121701
Screen Label with Clip		Order No.
		1631110
Retractable Screen Pull (7/2023 to Present)		Order No.
		9199627

### Latches - Insect Screen (Pair)

**Note:**

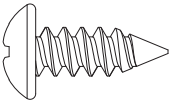
The originals are hard to replace. No instructions are provided. Consider a replacement screen instead.

	<b>Color</b>	<b>Order No.</b>
	White	1693417
	Terratone®	2791264
	Sandtone	1191313
	Forest Green	0381364
	Canvas	9014568
	Dark Bronze	9076928
Black	9014573	

### Screws - Bug Seal / Half

**Note:**

Screws only used with non-white colors listed.

	<b>Color</b>	<b>Order No.</b>
	Terratone®	9176415
	Sandtone	9176414
	Forest Green	9176416
	Canvas	9176261
	Dark Bronze	9176417
	Black	9176418

# 400 Series Tilt-Wash (TW) Windows (1992 to Present)

Standard Windows

## Grilles / Colonial

### Upper / Wood Interior w/chisel plungers/Keeper Cut (2/2015 - Present)

#### Interior Grille / Upper/w/chisel plungers/Keeper Cut - Colonial / 3/4" Wood / Natural Interior (2/2015 to Present)

**Note:**

Size stamped on center leg. 18, 30, 34 and 38 width grilles shown in this chart are for **upper** grilles only. These grilles have a center bar that fits behind the keeper. Chisel plunger not used on center bar with keeper cut. See [page 231](#) for lower grilles. Conversion Kit grilles use "vintage/old" 310/46 sizes. See iQ+ for additional detail.

Use Chart For		
Width	Upper	Lower
18	x	
20		
24		
26		
28		
210		
30	x	
34	x	
38	x	

Grille Size  
 U-Upper  
 CU-Cottage Upper  
 RU-Reverse Upper  
 EU-Even Upper

Keeper Cut      Chisel Plunger

#### Interior Grilles - Wood with chisel plungers with keeper cut

Unit No.	Dimensions (w x h)	Lite Pattern	Color/Species						
			Exterior						
			White	Terra-tone®	Sand-tone	Forest Green	Canvas	Dark Bronze	Black
			Maple Interior						
<b>18</b>	18-210U	15 7/32 x 14 1/32	9125230	9125229	9125228	9125227	9125225	9125226	9127316
	18-32U/310CU	15 7/32 x 16 1/32	9125236	9125235	9125234	9125233	9125231	9125232	9127317
	18-36U/42CU	15 7/32 x 18 1/32	9125248	9125247	9125246	9125245	9125243	9125244	9127319
	18-310U (2/2015 - 8/2017)	15 7/32 x 20 7/32	9125260	9125259	9125258	9125257	9125255	9125256	9127321
	18-46CU/410CU	15 7/32 x 20 7/32	9125260	9125259	9125258	9125257	9125255	9125256	9127321
	18-310U (9/2017 - Present)	15 7/32 x 20 23/32	9168241	9168193	9168144	9168143	9168079	9168080	9168030
	18-42U/52CU	15 7/32 x 22 1/32	9125272	9125271	9125270	9125269	9125267	9125268	9127323
	18-46U/56CU/510CU (2/2015 - 3/2017)	15 7/32 x 24 1/32	9125278	9125277	9125276	9125275	9125273	9125274	9127324
	18-46U/56CU (4/2017 - Present)	15 7/32 x 24 23/32	9152683	9152681	9152679	9152678	9152676	9152677	9152675
	18-410U	15 7/32 x 26 1/32	9125290	9125289	9125288	9125287	9125285	9125286	9127326
	18-52U	15 7/32 x 28 1/32	9125296	9125295	9125294	9125293	9125291	9125292	9127327
	18-310RU	15 7/32 x 24 1/32	9125242	9125241	9125240	9125239	9125237	9125238	9127318
	18-42RU	15 7/32 x 26 1/32	9125254	9125253	9125252	9125251	9125249	9125250	9127320
	18-46RU	15 7/32 x 28 1/32	9125266	9125265	9125264	9125263	9125261	9125262	9127322
	18-56EU	15 7/32 x 30 1/32	9125302	9125301	9125300	9125299	9125297	9125298	9127328
	18-510U/410RU	15 7/32 x 32 1/32	9125308	9125307	9125306	9125305	9125303	9125304	9127329
	18-62U/52RU	15 7/32 x 34 1/32	9125314	9125313	9125312	9125311	9125309	9125310	9127330
	18-56RU (2/2015 - 3/2017)	15 7/32 x 36 1/32	9125284	9125283	9125282	9125281	9125279	9125280	9127325
	18-56 RCU (4/2017 - Present)	15 7/32 x 36 23/32	9152703	9152701	9152699	9152698	9152696	9152697	9152695

## Grilles / Colonial

### Interior Grille / Upper/w/chisel plungers/Keeper Cut - Colonial / 3/4" Wood / Natural Interior (2/2015 to Present)

**Note:**

Size stamped on center leg. 18, 30, 34 and 38 width grilles shown in this chart are for **upper** grilles only. These grilles have a center bar that fits behind the keeper. Chisel plunger not used on center bar with keeper cut. See [page 231](#) for **lower** grilles. Conversion Kit grilles use "vintage/old" 310/46 sizes. See iQ+ for additional detail.

Use Chart For		
Width	Upper	Lower
18	x	
20		
24		
26		
28		
210		
30	x	
34	x	
38	x	

Grille Size  
 U-Upper  
 CU-Cottage Upper  
 RU-Reverse Upper  
 EU-Even Upper

3/4"

**Interior Grilles - Wood with chisel plungers with keeper cut**

Unit No.	Dimensions (w x h)	Lite Pattern	Color/Species							
			Exterior							
			White	Terra-tone®	Sand-tone	Forest Green	Canvas	Dark Bronze	Black	
Maple Interior										
<b>30</b>	30-210U	31 7/32 x 14 7/32		9125320	9125319	9125318	9125317	9125315	9125316	9127331
	30-32U/310CU	31 7/32 x 16 7/32		9125326	9125325	9125324	9125323	9125321	9125322	9127332
	30-36U/42CU	31 7/32 x 18 7/32		9125338	9125337	9125336	9125335	9125333	9125334	9127334
	30-310U (2/2015 - 8/2017)	31 7/32 x 20 7/32		9125350	9125349	9125348	9125347	9125345	9125346	9127336
	30-46CU/410CU	31 7/32 x 20 7/32		9125350	9125349	9125348	9125347	9125345	9125346	9127336
	30-310U (9/2017 - Present)	31 7/32 x 20 23/32		9168242	9168194	9168146	9168145	9168081	9168082	9168031
	30-42U/52CU	31 7/32 x 22 7/32		9125362	9125361	9125360	9125359	9125357	9125358	9127338
	30-46U/56CU/510CU (2/2015 - 3/2017)	31 7/32 x 24 7/32		9125368	9125367	9125366	9125365	9125363	9125364	9127339
	30-46U/56CU (4/2017 - Present)	31 7/32 x 24 23/32		9152893	9152891	9152889	9152888	9152886	9152887	9152885
	30-410U/62CU	31 7/32 x 26 7/32		9125380	9125379	9125378	9125377	9125375	9125376	9127341
	30-52U	31 7/32 x 28 7/32	9125386	9125385	9125384	9125383	9125381	9125382	9127342	
	30-310RU	31 7/32 x 24 7/32		9125332	9125331	9125330	9125329	9125327	9125328	9127333
	30-42RU	31 7/32 x 26 7/32		9125344	9125343	9125342	9125341	9125339	9125340	9127335
	30-46RU	31 7/32 x 28 7/32		9125356	9125355	9125354	9125353	9125351	9125352	9127337
	30-56EU	31 7/32 x 30 7/32		9125392	9125391	9125390	9125389	9125387	9125388	9127343
	30-510U/410RU	31 7/32 x 32 7/32		9125398	9125397	9125396	9125395	9125393	9125394	9127344
	30-62U/52RU	31 7/32 x 34 7/32		9125404	9125403	9125402	9125401	9125399	9125400	9127345
	30-56RU (2/2015 - 3/2017)	31 7/32 x 36 7/32		9125374	9125373	9125372	9125371	9125369	9125370	9127340
	30-56 RU (4/2017 - Present)	31 7/32 x 36 23/32		9152931	9152929	9152927	9152926	9152924	9152925	9152923



# 400 Series Tilt-Wash (TW) Windows (1992 to Present)

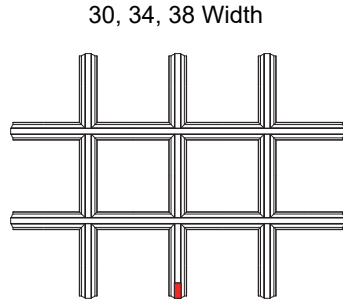
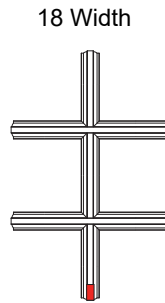
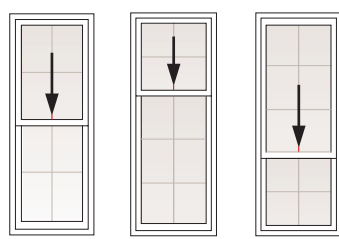
Standard Windows

## Grilles / Colonial

### Interior Grille / Upper/w/chisel plungers/Keeper Cut - Colonial / 3/4" Wood / Natural Interior (2/2015 to Present)

**Note:**

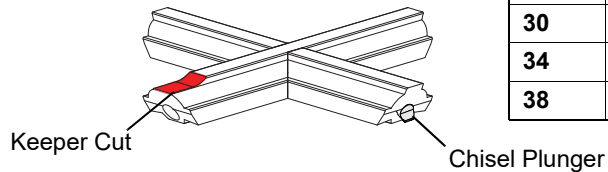
Size stamped on center leg. 18, 30, 34 and 38 width grilles shown in this chart are for **upper** grilles only. These grilles have a center bar that fits behind the keeper. Chisel plunger not used on center bar with keeper cut. See [page 231](#) for **lower** grilles. Conversion Kit grilles use "vintage/old" 310/46 sizes. See iQ+ for additional detail.



Use Chart For		
Width	Upper	Lower
18	x	
20		
24		
26		
28		
210		
30	x	
34	x	
38	x	



Grille Size  
 U-Upper  
 CU-Cottage Upper  
 RU-Reverse Upper  
 EU-Even Upper



### Interior Grilles - Wood with chisel plungers with keeper cut

Unit No.	Dimensions (w x h)	Lite Pattern	Color/Species						
			Exterior						
			White	Terra-tone®	Sand-tone	Forest Green	Canvas	Dark Bronze	Black
			Maple Interior						
<b>34</b> 34-210U	35 7/32 x 14 1/32		9125410	9125409	9125408	9125407	9125405	9125406	9127346
34-32U/310CU	35 7/32 x 16 1/32		9125416	9125415	9125414	9125413	9125411	9125412	9127347
34-36U/42CU	35 7/32 x 18 1/32		9125428	9125427	9125426	9125425	9125423	9125424	9127349
34-310U (2/2015 - 8/2017)	35 7/32 x 20 1/32		9125440	9125439	9125438	9125437	9125435	9125436	9127351
30-46CU/410CU	35 7/32 x 20 1/32		9125440	9125439	9125438	9125437	9125435	9125436	9127351
34-310U (9/2017 - Present)	35 7/32 x 20 23/32		9168243	9168195	9168148	9168147	9168083	9168084	9168032
34-42U/52CU	35 7/32 x 22 1/32		9125452	9125451	9125450	9125449	9125447	9125448	9127353
34-46U/56CU/510CU (2/2015 - 3/2017)	35 7/32 x 24 1/32		9125458	9125457	9125456	9125455	9125453	9125454	9127354
34-46U/56CU (4/2017 - Present)	35 7/32 x 24 23/32		9152954	9152952	9152950	9152949	9152947	9152948	9152956
34-410U/62CU	35 7/32 x 26 1/32		9125470	9125469	9125468	9125467	9125465	9125466	9127356
34-52U	35 7/32 x 28 1/32	9125476	9125475	9125474	9125473	9125471	9125472	9127357	
34-310RU	35 7/32 x 24 1/32		9125422	9125421	9125420	9125419	9125417	9125418	9127348
34-42RU	35 7/32 x 26 1/32		9125434	9125433	9125432	9125431	9125429	9125430	9127350
34-46RU	35 7/32 x 28 1/32		9125446	9125445	9125444	9125443	9125441	9125442	9127352
34-56EU	35 7/32 x 30 1/32		9125482	9125481	9125480	9125479	9125477	9125478	9127358
34-510U/410RU	35 7/32 x 32 1/32		9125488	9125487	9125486	9125485	9125483	9125484	9127359
34-62U/52RU	35 7/32 x 34 1/32		9125494	9125493	9125492	9125491	9125489	9125490	9127360
34-56RU (2/2015 - 3/2017)	35 7/32 x 36 1/32		9125464	9125463	9125462	9125461	9125459	9125460	9127355
34-56 RU (4/2017 - Present)	35 7/32 x 36 23/32		9152989	9152987	9152985	9152984	9152982	9152983	9152981

## Grilles / Colonial

### Interior Grille / Upper/w/chisel plungers/Keeper Cut - Colonial / 3/4" Wood / Natural Interior (2/2015 to Present)

**Note:**

Size stamped on center leg. 18, 30, 34 and 38 width grilles shown in this chart are for **upper** grilles only. These grilles have a center bar that fits behind the keeper. Chisel plunger not used on center bar with keeper cut. See [page 231](#) for **lower** grilles. Conversion Kit grilles use "vintage/old" 310/46 sizes. See iQ+ for additional detail.

18 Width      30, 34, 38 Width

Use Chart For		
Width	Upper	Lower
18	x	
20		
24		
26		
28		
210		
30	x	
34	x	
38	x	

Grille Size  
 U-Upper  
 CU-Cottage Upper  
 RU-Reverse Upper  
 EU-Even Upper

Keeper Cut      Chisel Plunger

3/4"

### Interior Grilles - Wood with chisel plungers with keeper cut

Unit No.	Dimensions (w x h)	Lite Pattern	Color/Species						
			Exterior						Maple Interior
			White	Terra-tone®	Sand-tone	Forest Green	Canvas	Dark Bronze	Black
<b>38</b>	38-210U	39 7/32 x 14 7/32	9125500	9125499	9125498	9125497	9125495	9125496	9127361
	38-32U/310CU	39 7/32 x 16 7/32	9125506	9125505	9125504	9125503	9125501	9125502	9127362
	38-36U/42CU	39 7/32 x 18 7/32	9125518	9125517	9125516	9125515	9125513	9125514	9127364
	38-310U (2/2015 - 8/2017)	39 7/32 x 20 7/32	9125530	9125529	9125528	9125527	9125525	9125526	9127366
	38-46CU/410CU	39 7/32 x 20 7/32	9125530	9125529	9125528	9125527	9125525	9125526	9127366
	38-310U (9/2017 - Present)	39 7/32 x 20 23/32	9168244	9168196	9168150	9168149	9168085	9168086	9068033
	38-42U/52CU	39 7/32 x 22 7/32	9125542	9125541	9125540	9125539	9125537	9125538	9127368
	38-46U/56CU/510CU (2/2015 - 3/2017)	39 7/32 x 24 7/32	9125548	9125547	9125546	9125545	9125543	9125544	9127369
	38-46U/56CU (4/2017 - Present)	39 7/32 x 24 23/32	9153019	9153017	9153015	9153014	9153012	9153013	9153011
	38-410U/62CU	39 7/32 x 26 7/32	9125560	9125559	9125558	9125557	9125555	9125556	9127371
	38-52U	39 7/32 x 28 7/32	9125566	9125565	9125564	9125563	9125561	9125562	9127372
	38-310RU	39 7/32 x 24 7/32	9125512	9125511	9125510	9125509	9125507	9125508	9127363
	38-42RU	39 7/32 x 26 7/32	9125524	9125523	9125522	9125521	9125519	9125520	9127365
	38-46RU	39 7/32 x 28 7/32	9125536	9125535	9125534	9125533	9125531	9125532	9127367
	38-56EU	39 7/32 x 30 7/32	9125572	9125571	9125570	9125569	9125567	9125568	9127373
	38-510U/410RU	39 7/32 x 32 7/32	9125578	9125577	9125576	9125575	9125573	9125574	9127374
	38-62U/52RU	39 7/32 x 34 7/32	9125584	9125583	9125582	9125581	9125579	9125580	9127375
	38-56RU (2/2015 - 3/2017)	39 7/32 x 36 7/32	9125554	9125553	9125552	9125551	9125549	9125550	9127370
38-56 RU (4/2017 - Present)	39 7/32 x 36 23/32	9153039	9153037	9153035	9153034	9153032	9153033	9153031	

# 400 Series Tilt-Wash (TW) Windows (1992 to Present)

Standard Windows

## Grilles / Colonial

### Upper / Wood Prefinished Interior w/chisel plungers/Keeper Cut (2/2015 - Present)

#### Interior Grille / Upper/w/chisel plungers (Keeper Cut) / Upper - Colonial / 3/4" Wood / Prefinished Interior (2/2015 - Present)

**Note:**

Size stamped on center leg. 18, 30, 34 and 38 width grilles shown in this chart are for **upper** grilles only. These grilles have a center bar that fits behind the keeper. Chisel plunger not used on center bar with keeper cut. See [page 231](#) for lower grilles. Conversion Kit grilles use "vintage/old" 310/46 sizes. See iQ+ for additional detail.

Use Chart For		
Width	Upper	Lower
18	x	
20		
24		
26		
28		
210		
30	x	
34	x	
38	x	

**Interior Grilles - Wood with chisel plungers with keeper cut**

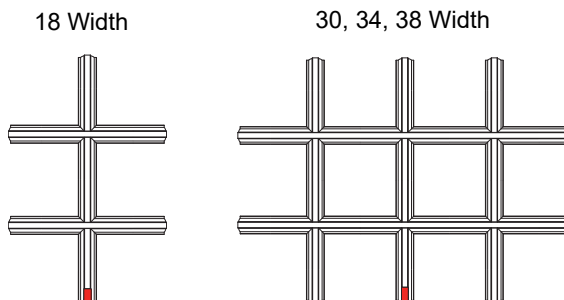
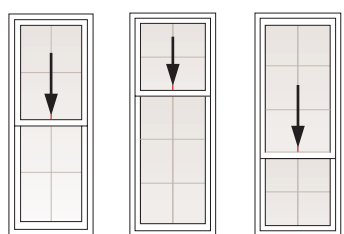
Unit No.	Dimensions (w x h)	Lite Pattern	Color/Finish						
			Exterior						
			White	Terra-tone®	Sand-tone	Forest Green	Canvas	Dark Bronze	Black
Interior									
White	Terra-tone®	Sand-tone	Forest Green	Canvas	Dark Bronze	Black			
<b>18</b>	18-210U	15 7/32 x 14 7/32	9125586	9125587	9125585	OBD	OBD	OBD	OBD
	18-32U/310CU	15 7/32 x 16 7/32	9125589	9125590	9125588	OBD	OBD	OBD	OBD
	18-36U/42CU	15 7/32 x 18 7/32	9125593	9125594	9125592	OBD	OBD	OBD	OBD
	18-310U (2/2015 - 8/2017)	15 7/32 x 20 7/32	9125597	9125598	9125596	OBD	OBD	OBD	OBD
	18-46CU/410CU	15 7/32 x 20 7/32	9125597	9125598	9125596	OBD	OBD	OBD	OBD
	18-310U (9/2017 - Present)	15 7/32 x 20 23/32	9168272	9168245	9168197	OBD	OBD	OBD	OBD
	18-42U/52CU	15 7/32 x 22 7/32	9125601	9125602	9125600	OBD	OBD	OBD	OBD
	18-46U/56CU/510CU (2/2015 - 3/2017)	15 7/32 x 24 7/32	9125604	9125605	9125603	OBD	OBD	OBD	OBD
	18-46U/56CU (4/2017 - Present)	15 7/32 x 24 23/32	9152684	9152682	9152680	OBD	OBD	OBD	OBD
	18-410U	15 7/32 x 26 7/32	9125610	9125611	9125609	OBD	OBD	OBD	OBD
	18-52U	15 7/32 x 28 7/32	9125613	9125614	9125612	OBD	OBD	OBD	OBD
	18-310RU	15 7/32 x 24 7/32	9125591	OBD	OBD	OBD	OBD	OBD	OBD
	18-42RU	15 7/32 x 26 7/32	9125595	OBD	OBD	OBD	OBD	OBD	OBD
	18-46RU	15 7/32 x 28 7/32	9125599	OBD	OBD	OBD	OBD	OBD	OBD
	18-56EU	15 7/32 x 30 7/32	9125616	9125617	9125615	OBD	OBD	OBD	OBD
	18-510U/410RU	15 7/32 x 32 7/32	9125619	9125620	9125618	OBD	OBD	OBD	OBD
	18-62U/52RU	15 7/32 x 34 7/32	9125622	9125623	9125621	OBD	OBD	OBD	OBD
	18-56RU (2/2015 - 3/2017)	15 7/32 x 36 7/32	9125607	9125608	9125606	OBD	OBD	OBD	OBD
	18-56RU (4/2017 - Present)	15 7/32 x 36 23/32	9152704	9152702	9152700	OBD	OBD	OBD	OBD

## Grilles / Colonial

### Interior Grille / Upper/w/chisel plungers (Keeper Cut) / Upper - Colonial / 3/4" Wood / Prefinished Interior (2/2015 - Present)

**Note:**

Size stamped on center leg. 18, 30, 34 and 38 width grilles shown in this chart are for **upper** grilles only. These grilles have a center bar that fits behind the keeper. Chisel plunger not used on center bar with keeper cut. See [page 231](#) for **lower** grilles. Conversion Kit grilles use "vintage/old" 310/46 sizes. See iQ+ for additional detail.



Use Chart For		
Width	Upper	Lower
18	x	
20		
24		
26		
28		
210		
30	x	
34	x	
38	x	



Grille Size  
 U-Upper  
 CU-Cottage Upper  
 RU-Reverse Upper  
 EU-Even Upper

Keeper Cut

Chisel Plunger

### Interior Grilles - Wood with chisel plungers with keeper cut

Unit No.	Dimensions (w x h)	Lite Pattern	Color/Finish						
			Exterior						
			White	Terra-tone®	Sand-tone	Forest Green	Canvas	Dark Bronze	Black
Interior									
White	Terra-tone®	Sand-tone	Forest Green	Canvas	Dark Bronze	Black			
<b>30</b>	30-210U		9125625	9125626	9125624	OBD	OBD	OBD	OBD
	30-32U/310CU		9125628	9125629	9125627	OBD	OBD	OBD	OBD
	30-36U/42CU		9125632	9125633	9125631	OBD	OBD	OBD	OBD
	30-310U (2/2015 - 8/2017)		9125636	9125637	9125635	OBD	OBD	OBD	OBD
	30-46CU/410CU		9125636	9125637	9125635	OBD	OBD	OBD	OBD
	30-310U (9/2017 - Present)		9168273	9168246	9168198	OBD	OBD	OBD	OBD
	30-42U/52CU		9125640	9125641	9125639	OBD	OBD	OBD	OBD
	30-46U/56CU/510CU (2/2015 - 3/2017)		9125643	9125644	9125642	OBD	OBD	OBD	OBD
	30-46U/56CU (4/2017 - Present)		9152894	9152892	9152890	OBD	OBD	OBD	OBD
	30-410U/62CU		9125649	9125650	9125648	OBD	OBD	OBD	OBD
	30-52U	9125652	9125653	9125651	OBD	OBD	OBD	OBD	
	30-310RU		9125630	OBD	OBD	OBD	OBD	OBD	OBD
	30-42RU		9125634	OBD	OBD	OBD	OBD	OBD	OBD
	30-46RU		9125638	OBD	OBD	OBD	OBD	OBD	OBD
	30-56EU		9125655	9125656	9125654	OBD	OBD	OBD	OBD
	30-510U/410RU		9125658	9125659	9125657	OBD	OBD	OBD	OBD
	30-62U/52RU		9125661	9125662	9125660	OBD	OBD	OBD	OBD
	30-56RU (2/2015 - 3/2017)		9125646	9125647	9125645	OBD	OBD	OBD	OBD
	30-56RU (4/2017 - Present)		9152932	9152930	9152928	OBD	OBD	OBD	OBD

# 400 Series Tilt-Wash (TW) Windows (1992 to Present)

Standard Windows

## Grilles / Colonial

### Interior Grille / Upper/w/chisel plungers (Keeper Cut) / Upper - Colonial / 3/4" Wood / Prefinished Interior (2/2015 - Present)

**Note:**

Size stamped on center leg. 18, 30, 34 and 38 width grilles shown in this chart are for **upper** grilles only. These grilles have a center bar that fits behind the keeper. Chisel plunger not used on center bar with keeper cut. See [page 231](#) for lower grilles. Conversion Kit grilles use "vintage/old" 310/46 sizes. See iQ+ for additional detail.

Use Chart For		
Width	Upper	Lower
18	x	
20		
24		
26		
28		
210		
30	x	
34	x	
38	x	

Grille Size  
 U-Upper  
 CU-Cottage Upper  
 RU-Reverse Upper  
 EU-Even Upper

Keeper Cut Chisel Plunger

### Interior Grilles - Wood with chisel plungers with keeper cut

Unit No.	Dimensions (w x h)	Lite Pattern	Color/Finish						
			Exterior						
			White	Terra-tone®	Sand-tone	Forest Green	Canvas	Dark Bronze	Black
Interior									
White	Terra-tone®	Sand-tone	Forest Green	Canvas	Dark Bronze	Black			
<b>34</b>	34-210U	35 7/32 x 14 7/32	9125664	9125665	9125663	OBD	OBD	OBD	OBD
	34-32U/310CU	35 7/32 x 16 7/32	9125667	9125666	9125666	OBD	OBD	OBD	OBD
	34-36U/42CU	35 7/32 x 18 7/32	9125671	9125672	9125670	OBD	OBD	OBD	OBD
	34-310U/46CU/410CU (2/2015 - 8/2017)	35 7/32 x 20 7/32	9125675	9125676	9125674	OBD	OBD	OBD	OBD
	30-46CU/410CU	35 7/32 x 20 7/32	9125675	9125676	9125674	OBD	OBD	OBD	OBD
	34-310U (9/2017 - Present)	35 7/32 x 20 23/32	9168274	9168247	9168199	OBD	OBD	OBD	OBD
	34-42U/52CU	35 7/32 x 22 7/32	9125679	9125680	9125678	OBD	OBD	OBD	OBD
	34-46U/56CU/510CU (2/2015 - 3/2017)	35 7/32 x 24 7/32	9125682	9125683	9125681	OBD	OBD	OBD	OBD
	34-46U/56CU (4/2017 - Present)	35 7/32 x 24 23/32	9152945	9152944	9152943	OBD	OBD	OBD	OBD
	34-410U/62CU	35 7/32 x 26 7/32	9125688	9125689	9125687	OBD	OBD	OBD	OBD
	34-52U	35 7/32 x 28 7/32	9125691	9125692	9125690	OBD	OBD	OBD	OBD
	34-310RU	35 7/32 x 24 7/32	9125669	OBD	OBD	OBD	OBD	OBD	OBD
	34-42RU	35 7/32 x 26 7/32	9125673	OBD	OBD	OBD	OBD	OBD	OBD
	34-46RU	35 7/32 x 28 7/32	9125677	OBD	OBD	OBD	OBD	OBD	OBD
	34-56EU	35 7/32 x 30 7/32	9125694	9125695	9125693	OBD	OBD	OBD	OBD
	34-510U/410RU	35 7/32 x 32 7/32	9125697	9125698	9125696	OBD	OBD	OBD	OBD
	34-62U/52RU	35 7/32 x 34 7/32	9125700	9125701	9125699	OBD	OBD	OBD	OBD
	34-56RU (2/2015 - 3/2017)	35 7/32 x 36 7/32	9125685	9125686	9125684	OBD	OBD	OBD	OBD
	34-56RU (4/2017 - Present)	35 7/32 x 36 23/32	9152990	9152988	9152986	OBD	OBD	OBD	OBD

## Grilles / Colonial

### Interior Grille / Upper/w/chisel plungers (Keeper Cut) / Upper - Colonial / 3/4" Wood / Prefinished Interior (2/2015 - Present)

**Note:**

Size stamped on center leg. 18, 30, 34 and 38 width grilles shown in this chart are for **upper** grilles only. These grilles have a center bar that fits behind the keeper. Chisel plunger not used on center bar with keeper cut. See [page 231](#) for **lower** grilles. Conversion Kit grilles use "vintage/old" 310/46 sizes. See iQ+ for additional detail.

Use Chart For		
Width	Upper	Lower
18	x	
20		
24		
26		
28		
210		
30	x	
34	x	
38	x	

Grille Size  
 U-Upper  
 CU-Cottage Upper  
 RU-Reverse Upper  
 EU-Even Upper

Keeper Cut      Chisel Plunger

3/4"

Interior Grilles - Wood with chisel plungers with keeper cut

Unit No.	Dimensions (w x h)	Lite Pattern	Color/Finish						
			Exterior						
			White	Terra-tone®	Sand-tone	Forest Green	Canvas	Dark Bronze	Black
Interior									
White	Terra-tone®	Sand-tone	Forest Green	Canvas	Dark Bronze	Black			
<b>38</b>	38-210U	39 7/32 x 14 7/32	9125703	9125704	9125702	OBD	OBD	OBD	OBD
	38-32U/310CU	39 7/32 x 16 7/32	9125706	9125707	9125705	OBD	OBD	OBD	OBD
	38-36U/42CU	39 7/32 x 18 7/32	9125710	9125711	9125709	OBD	OBD	OBD	OBD
	38-310U/46CU/410CU (2/2015 - 8/2017)	39 7/32 x 20 7/32	9125714	9125715	9125713	OBD	OBD	OBD	OBD
	30-46CU/410CU	39 7/32 x 20 7/32	9125714	9125715	9125713	OBD	OBD	OBD	OBD
	38-310U (9/2017 - Present)	39 7/32 x 20 23/32	9168275	9168248	9168200	OBD	OBD	OBD	OBD
	38-42U/52CU	39 7/32 x 22 7/32	9125718	9125719	9125717	OBD	OBD	OBD	OBD
	38-46U/56CU/510CU (2/2015 - 3/2017)	39 7/32 x 24 7/32	9125721	9125722	9125720	OBD	OBD	OBD	OBD
	38-46U/56CU (4/2017 - Present)	39 7/32 x 24 23/32	9153020	9153018	9153016	OBD	OBD	OBD	OBD
	38-410U/62CU	39 7/32 x 26 7/32	9125727	9125728	9125726	OBD	OBD	OBD	OBD
	38-52U	39 7/32 x 28 7/32	9125730	9125731	9125729	OBD	OBD	OBD	OBD
	38-310RU	39 7/32 x 24 7/32	9125708	OBD	OBD	OBD	OBD	OBD	OBD
	38-42RU	39 7/32 x 26 7/32	9125712	OBD	OBD	OBD	OBD	OBD	OBD
	38-46RU	39 7/32 x 28 7/32	9125716	OBD	OBD	OBD	OBD	OBD	OBD
	38-56EU	39 7/32 x 30 7/32	9125733	9125734	9125732	OBD	OBD	OBD	OBD
	38-510U/410RU	39 7/32 x 32 7/32	9125736	9125737	9125735	OBD	OBD	OBD	OBD
	38-62U/52RU	39 7/32 x 34 7/32	9125739	9125740	9125738	OBD	OBD	OBD	OBD
	38-56RU (2/2015 - 3/2017)	39 7/32 x 36 7/32	9125724	9125725	9125723	OBD	OBD	OBD	OBD
	38-56RU (4/2017 - Present)	39 7/32 x 36 23/32	9153040	9153038	9153036	OBD	OBD	OBD	OBD

# 400 Series Tilt-Wash (TW) Windows (1992 to Present)

Standard Windows

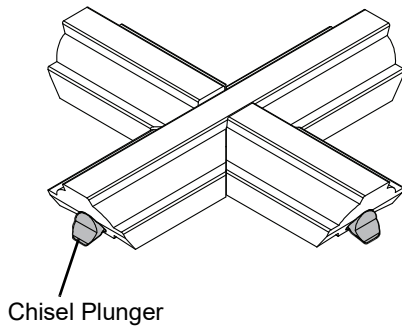
## Grilles / Colonial

### Upper / Lower / Wood Interior w/chisel plungers (5/2010 - Present)

#### Interior Grille with Chisel Plungers - Colonial / 3/4" Wood / Natural Interior (5/2010 - Present)

**Note:**

Size stamped on exterior on right leg (center leg if one) as viewed from exterior. Grilles to be used on sash with no grommets. 20, 24, 26, 28 and 210 width grilles are used as both upper and lower grilles. 18, 30, 34 and 38 width grilles are for **lower** grilles only. See [page 223](#) for 18, 30, 34 and 38 width upper grilles. Conversion Kit grilles use "vintage/old" 310/46 sizes. See iQ+ for additional detail.



- Grille Size
- U-Upper
- CU-Cottage Upper
- RU-Reverse Upper
- L-Lower
- CL-Cottage Lower
- RL-Reverse Lower
- EL-Even Lower
- C-Cottage

#### Interior Grilles - 3/4" Wood with Chisel Plungers

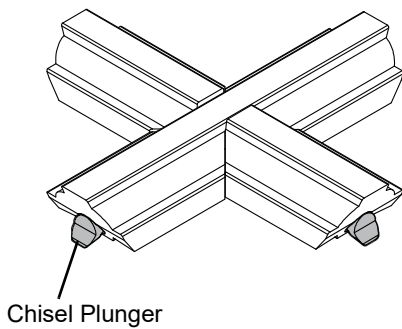
Unit No.	Dimensions (w x h)	Lite Pattern	Color/Species							
			Exterior							
			White	Terra-tone®	Sand-tone	Forest Green	Canvas	Dark Bronze	Black	
			Maple Interior							
<b>18</b>	18-210L	15 7/32 x 14 7/32	+	9022688	9022950	9022487	9022247	9047444	9072165	9127256
	18-32L/310RL	15 7/32 x 16 7/32		9022689	9022951	9022488	9022248	9047445	9072166	9127257
	18-36L/42RL	15 7/32 x 18 7/32		9022744	9023062	9022393	9022303	9047500	9072221	9127288
	18-310L (9/2017 - Present)	15 7/32 x 19 23/32		9168201	9168160	9168112	9168101	9168037	9168058	9168026
	18-310L/46RL/410RL (5/2010 - 8/2017)	15 7/32 x 20 7/32		9022690	9022952	9022489	9022249	9047446	9072167	9127258
	18-310 (9/2017 - Present)	15 7/32 x 20 23/32		9168436	9168400	9168365	9168364	9168317	9168318	9168279
	18-42L/52RL	15 7/32 x 22 7/32	+	9022691	9022953	9022490	9022250	9047447	9072168	9127259
	18-46L/56RCL (4/2017 - Present)	15 7/32 x 23 23/32		9152673	9152671	9152669	9152668	9152666	9152667	9152665
	18-46L/56RL/510RL (5/2010 - 3/2017)	15 7/32 x 24 7/32		9022692	9022954	9022491	9022251	9047448	9072169	9127260
	18-410L/62RL	15 7/32 x 26 7/32		9022745	9023063	9022394	9022304	9047501	9072222	9127289
	18-52L	15 7/32 x 28 7/32		9022693	9022955	9022492	9022252	9047449	9072170	9127261
	18-310CL	15 7/32 x 24 7/32		9022896	9023188	9022605	9022366	9047552	9072273	9127304
	18-42CL	15 7/32 x 26 7/32		9022897	9023189	9022606	9022367	9047553	9072274	9127305
	18-46CL	15 7/32 x 28 7/32		9022898	9023190	9022607	9022368	9047554	9072275	9127306
	18-56EL	15 7/32 x 30 7/32		9022665	9023163	9022493	9022358	9047548	9072269	9127300
	18-510L/18410CL	15 7/32 x 32 7/32		9022746	9023064	9022395	9022305	9047502	9072223	9127290
	18-62L/1852CL	15 7/32 x 34 7/32		9022695	9022957	9022494	9022254	9047451	9072172	9127263
	18-56CL (4/2017 - Present)	15 7/32 x 35 23/32		9152693	9152691	9152689	9152688	9152686	9152687	9152685
18-56CL (5/2010 - 3/2017)	15 7/32 x 36 7/32	9022694	9022956	9022629	9022253	9047450	9072171	9127262		

## Grilles / Colonial

### Interior Grille with Chisel Plungers - Colonial / 3/4" Wood / Natural Interior (5/2010 - Present)

**Note:**

Size stamped on exterior on right leg (center leg if one) as viewed from exterior. Grilles to be used on sash with no grommets. 20, 24, 26, 28 and 210 width grilles are used as both upper and lower grilles. 18, 30, 34 and 38 width grilles are for **lower** grilles only. See [page 223](#) for 18, 30, 34 and 38 width upper grilles. Conversion Kit grilles use "vintage/old" 310/46 sizes. See IQ+ for additional detail.



- Grille Size
- U-Upper
  - CU-Cottage Upper
  - RU-Reverse Upper
  - L-Lower
  - CL-Cottage Lower
  - RL-Reverse Lower
  - EL-Even Lower
  - C-Cottage

### Interior Grilles - 3/4" Wood with Chisel Plungers

Unit No.	Dimensions (w x h)	Lite Pattern	Color/Species							
			Exterior							
			White	Terra-tone®	Sand-tone	Forest Green	Canvas	Dark Bronze	Black	
			Maple Interior							
<b>20</b>	20-210	19 7/32 x 14 7/32		9022696	9022958	9022495	9022255	9047452	9072173	9127376
	20-32/310CU/310RL	19 7/32 x 16 7/32		9022697	9022959	9022496	9022256	9047453	9072174	9127377
	20-36/42CU/42RL	19 7/32 x 18 7/32		9022747	9023065	9022396	9022306	9047503	9072224	9127403
	20-310L (9/2017 - Present)	19 7/32 x 19 23/32		9168202	9168161	9168113	9168102	9168038	9168059	9168034
	20-310 (5/2010 - 8/2017)	19 7/32 x 20 7/32		9022698	9022960	9022497	9022257	9047454	9072175	9127378
	20-310U (9/2017 - Present)	19 7/32 x 20 23/32		9168402	9168374	9168340	9168330	9168283	9168300	9168280
	20-42/52CU/52RL	19 7/32 x 22 7/32		9022699	9022961	9022498	9022258	9047455	9072176	9127379
	20-46L/56RCL (4/2017 - Present)	19 7/32 x 23 23/32		9152743	9152741	9152739	9152728	9152736	9152737	9152735
	20-46/56CU/510CU/56RL/510RL (5/2010 - 3/2017)	19 7/32 x 24 7/32		9022700	9022962	9022499	9022259	9047456	9072177	9127380
	20-46U/56CU (4/2017 - Present)	19 7/32 x 24 23/32		9152733	9152731	9152729	9152738	9152725	9152727	9152726
	20-410/62CU/62RL	19 7/32 x 26 7/32	9022748	9023066	9022397	9022307	9047504	9072225	9127404	
	20-52	19 7/32 x 28 7/32	9022701	9022963	9022500	9022260	9047457	9072178	9127381	
	20-310CL/310RU	19 7/32 x 24 7/32	9022899	9023191	9022608	9022369	9047555	9072276	9127455	
	20-42CL/42RU	19 7/32 x 26 7/32	9022900	9023192	9022609	9022370	9047556	9072277	9127456	
	20-46CL/46RU	19 7/32 x 28 7/32	9022901	9023193	9022610	9022371	9047557	9072278	9127457	
	20-56E	19 7/32 x 30 7/32	9022787	9023165	9022501	9022346	9047543	9072264	9127443	
	20-510/410CL/410RU	19 7/32 x 32 7/32	9022775	9023093	9022424	9022334	9047531	9072252	9127431	
	20-62/52CL/52RU	19 7/32 x 34 7/32	9022703	9022965	9022502	9022262	9047459	9072180	9127383	
	20-56CL (4/2017 - Present)	19 7/32 x 35 23/32	9163136	9163132	9163128	9163126	9163122	9163124	9163120	
	20-56CL/56RU (5/2010 - 3/2017)	19 7/32 x 36 7/32	9022702	9022964	9022642	9022261	9047458	9072179	9127382	



# 400 Series Tilt-Wash (TW) Windows (1992 to Present)

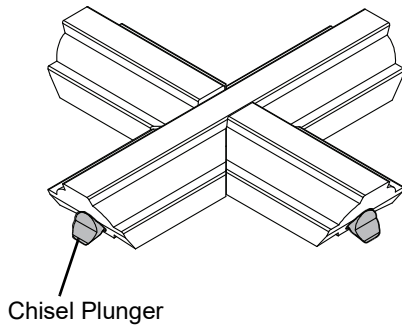
Standard Windows

## Grilles / Colonial

### Interior Grille with Chisel Plungers - Colonial / 3/4" Wood / Natural Interior (5/2010 - Present)

**Note:**

Size stamped on exterior on right leg (center leg if one) as viewed from exterior. Grilles to be used on sash with no grommets. 20, 24, 26, 28 and 210 width grilles are used as both upper and lower grilles. 18, 30, 34 and 38 width grilles are for **lower** grilles only. See [page 223](#) for 18, 30, 34 and 38 width upper grilles. Conversion Kit grilles use "vintage/old" 310/46 sizes. See iQ+ for additional detail.



- Grille Size  
 U-Upper  
 CU-Cottage Upper  
 RU-Reverse Upper  
 L-Lower  
 CL-Cottage Lower  
 RL-Reverse Lower  
 EL-Even Lower  
 C-Cottage

### Interior Grilles - 3/4" Wood with Chisel Plungers

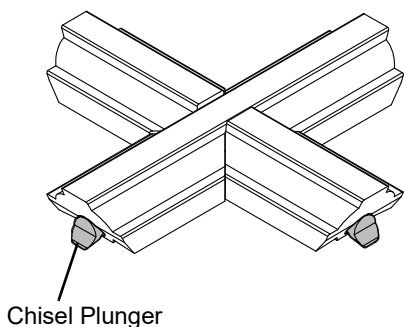
Unit No.	Dimensions (w x h)	Lite Pattern	Color/Species							
			Exterior							
			White	Terra-tone®	Sand-tone	Forest Green	Canvas	Dark Bronze	Black	
Maple Interior										
<b>24</b>	24-210	23 7/32 × 14 7/32		9022704	9022966	9022503	9022263	9047460	9072181	9127384
	24-32/310CU/310RL	23 7/32 × 16 7/32		9022705	9022967	9022504	9022264	9047461	9072182	9127385
	24-36/42CU/42RL	23 7/32 × 18 7/32		9022749	9023067	9022398	9022308	9047505	9072226	9127405
	24-310L (9/2017 - Present)	23 7/32 × 19 23/32		9168203	9168162	9168114	9168103	9168039	9168060	9168035
	24-310 (5/2010 - 8/2017)	23 7/32 × 20 7/32		9022706	9022968	9022505	9022265	9047462	9072183	9127386
	24-310U (9/2017 - Present)	23 7/32 × 20 23/32		9168403	9168375	9168341	9168331	9168284	9168301	9168281
	24-42/52CU/52RL	23 7/32 × 22 7/32		9022707	9022969	9022506	9022266	9047463	9072184	9127387
	24-46L/56RCL (4/2017 - Present)	23 7/32 × 23 23/32		9152813	9152811	9152809	9152808	9152806	9152807	9152805
	24-46/56CU/510CU/56RL/510RL (5/2010 - 3/2017)	23 7/32 × 24 7/32		9022708	9022970	9022507	9022267	9047464	9072185	9127388
	24-46U/56CU (4/2017 - Present)	23 7/32 × 24 23/32		9152803	9152801	9152799	9152798	9152796	9152797	9152795
	24-410/62CU/62RL	23 7/32 × 26 7/32		9022750	9023068	9022399	9022309	9047506	9072227	9127406
	24-52	23 7/32 × 28 7/32		9022709	9022971	9022508	9022268	9047465	9072186	9127389
	24-310CL/310RU	23 7/32 × 24 7/32	9022902	9023194	9022611	9022372	9047558	9072279	9127458	
	24-42CL/42RU	23 7/32 × 26 7/32	9022903	9023195	9022612	9022373	9047559	9072280	9127459	
	24-46CL/46RU	23 7/32 × 28 7/32	9022904	9023196	9022613	9022374	9047560	9072281	9127460	
	24-56E	23 7/32 × 30 7/32	9022788	9023102	9022433	9022347	9047544	9072265	9127444	
	24-510/410CL/410RU	23 7/32 × 32 7/32	9022776	9023094	9022425	9022335	9047532	9072253	9127432	
	24-62/52CL/52RU	23 7/32 × 34 7/32	9022711	9022973	9022510	9022270	9047467	9072188	9127391	
	24-56CL (4/2017 - Present)	23 7/32 × 35 23/32	9163172	9163170	9163168	9163166	9163162	9163164	9163160	
	24-56CL/56RU (5/2010 - 3/2017)	23 7/32 × 36 7/32	9022710	9022972	9022509	9022269	9047466	9072187	9127390	

## Grilles / Colonial

### Interior Grille with Chisel Plungers - Colonial / 3/4" Wood / Natural Interior (5/2010 - Present)

**Note:**

Size stamped on exterior on right leg (center leg if one) as viewed from exterior. Grilles to be used on sash with no grommets. 20, 24, 26, 28 and 210 width grilles are used as both upper and lower grilles. 18, 30, 34 and 38 width grilles are for **lower** grilles only. See [page 223](#) for 18, 30, 34 and 38 width upper grilles. Conversion Kit grilles use "vintage/old" 310/46 sizes. See IQ+ for additional detail.



- Grille Size
- U-Upper
  - CU-Cottage Upper
  - RU-Reverse Upper
  - L-Lower
  - CL-Cottage Lower
  - RL-Reverse Lower
  - EL-Even Lower
  - C-Cottage

### Interior Grilles - 3/4" Wood with Chisel Plungers

Unit No.	Dimensions (w x h)	Lite Pattern	Color/Species							
			Exterior							
			White	Terra-tone®	Sand-tone	Forest Green	Canvas	Dark Bronze	Black	
			Maple Interior							
26	26-210	25 7/32 x 14 7/32		9022751	9023069	9022400	9022310	9047507	9072228	9127407
	26-32/310CU/310CL	25 7/32 x 16 7/32		9022752	9023070	9022401	9022311	9047508	9072229	9127408
	26-36/42CU/42RL	25 7/32 x 18 7/32		9022753	9023071	9022402	9022312	9047509	9072230	9127409
	26-310L (9/2017 - Present)	25 7/32 x 19 23/32		9168208	9168167	9168110	9168108	9168044	9168065	9168087
	26-310 (5/2010 - 8/2017)	25 7/32 x 20 7/32		9022754	9023072	9022403	9022313	9047510	9072231	9127410
	26-310U (9/2017 - Present)	25 7/32 x 20 23/32		9168408	9168380	9168338	9168336	9168289	9168306	9168319
	26-42/52CU/52RL	25 7/32 x 22 7/32		9022755	9023073	9022404	9022314	9047511	9072232	9127411
	26-46L/56RCL (4/2017 - Present)	25 7/32 x 23 23/32		9152843	9152841	9152839	9152838	9152836	9152837	9152835
	26-46/56CU/510CU/56RL/510RL (5/2010 - 3/2017)	25 7/32 x 24 7/32		9022756	9023074	9022405	9022315	9047512	9072233	9127412
	26-46U/56CU (4/2017 - Present)	25 7/32 x 24 23/32		9152833	9152831	9152829	9152828	9152826	9152827	9152825
	26-410/62CU/62RL	25 7/32 x 26 7/32	9022757	9023075	9022406	9022316	9047513	9072234	9127413	
	26-52	25 7/32 x 28 7/32	9022758	9023076	9022407	9022317	9047514	9072235	9127414	
	26-310CL/310RU	25 7/32 x 24 7/32	9022917	9023209	9022599	9022387	9047573	9072294	9127473	
	26-42CL/42RU	25 7/32 x 26 7/32	9022918	9023210	9022600	9022388	9047574	9072295	9127474	
	26-46CL/46RU	25 7/32 x 28 7/32	9022919	9023211	9022601	9022389	9047575	9072296	9127475	
	26-56E	25 7/32 x 30 7/32	9022789	9023095	9022426	9022348	9047545	9072266	9127445	
	26-510/410CL/410RU	25 7/32 x 32 7/32	9022778	9023096	9022427	9022337	9047534	9072255	9127434	
	26-62/52CL/52RU	25 7/32 x 34 7/32	9022779	9023097	9022428	9022338	9047535	9072256	9127435	
	26-56CL (4/2017 - Present)	25 7/32 x 35 23/32	9163192	9163190	9163188	9163186	9163182	9163184	9163180	
	26-56CL/56RU (5/2010 - 3/2017)	25 7/32 x 36 7/32	9022777	9023104	9022435	9022336	9047533	9072254	9127433	

# 400 Series Tilt-Wash (TW) Windows (1992 to Present)

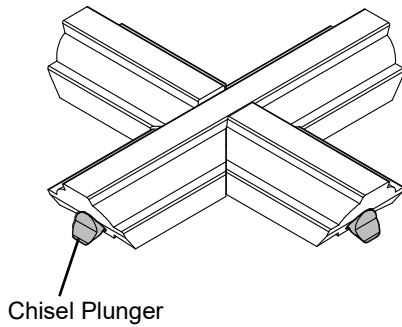
Standard Windows

## Grilles / Colonial

### Interior Grille with Chisel Plungers - Colonial / 3/4" Wood / Natural Interior (5/2010 - Present)

**Note:**

Size stamped on exterior on right leg (center leg if one) as viewed from exterior. Grilles to be used on sash with no grommets. 20, 24, 26, 28 and 210 width grilles are used as both upper and lower grilles. 18, 30, 34 and 38 width grilles are for **lower** grilles only. See [page 223](#) for 18, 30, 34 and 38 width upper grilles. Conversion Kit grilles use "vintage/old" 310/46 sizes. See iQ+ for additional detail.



- Grille Size  
 U-Upper  
 CU-Cottage Upper  
 RU-Reverse Upper  
 L-Lower  
 CL-Cottage Lower  
 RL-Reverse Lower  
 EL-Even Lower  
 C-Cottage

### Interior Grilles - 3/4" Wood with Chisel Plungers

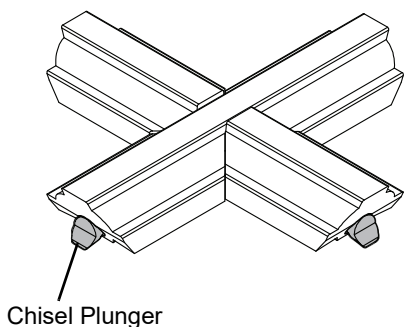
Unit No.	Dimensions (w x h)	Lite Pattern	Color/Species							
			Exterior							
			White	Terra-tone®	Sand-tone	Forest Green	Canvas	Dark Bronze	Black	
Maple Interior										
<b>28</b>	28-210	27 7/32 × 14 7/32		9022712	9022974	9022511	9022271	9047468	9072189	9127392
	28-32/310CU/310RL	27 7/32 × 16 7/32		9022713	9022975	9022512	9022272	9047469	9072190	9127393
	28-36/42CU/42RL	27 7/32 × 18 7/32		9022759	9023077	9022408	9022318	9047515	9072236	9127415
	28-310L (9/2017 - Present)	27 7/32 × 19 23/32		9168204	9168163	9168115	9168104	9168040	9168061	9168036
	28-310 (5/2010 - 8/2017)	27 7/32 × 20 7/32		9022714	9022976	9022513	9022273	9047470	9072191	9127394
	28-310U (9/2017 - Present)	27 7/32 × 20 23/32		9168404	9168376	9168342	9168332	9168285	9168302	9168282
	28-42/52CU/52RL	27 7/32 × 22 7/32		9022715	9022977	9022514	9022274	9047471	9072192	9127395
	28-46L/56RCL (4/2017 - Present)	27 7/32 × 23 23/32		9152873	9152871	9152869	9152868	9152866	9152867	9152865
	28-46/56CU/510CU/56RL/510RL (5/2010 - 3/2017)	27 7/32 × 24 7/32		9022716	9022978	9022515	9022275	9047472	9072193	9127396
	28-46U/56CU (4/2017 - Present)	27 7/32 × 24 23/32		9152863	9152861	9152859	9152858	9152856	9152857	9152855
	28-410/62CU/62RL	27 7/32 × 26 7/32	9022760	9023078	9022409	9022319	9047516	9072237	9127416	
	28-52	27 7/32 × 28 7/32	9022717	9022979	9022516	9022276	9047473	9072194	9127397	
	28-310CL/310RU	27 7/32 × 24 7/32	9022905	9023197	9022614	9022375	9047561	9072282	9127461	
	28-42CL/42RU	27 7/32 × 26 7/32	9022906	9023198	9022615	9022376	9047562	9072283	9127462	
	28-46CL/46RU	27 7/32 × 28 7/32	9022907	9023199	9022616	9022377	9047563	9072284	9127463	
	28-56E	27 7/32 × 30 7/32	9022790	9023105	9022436	9022349	9047546	9072267	9127446	
	28-510/410CL /410RU	27 7/32 × 32 7/32	9022780	9023098	9022429	9022339	9047536	9072257	9127436	
	28-62/52CL/52RU	27 7/32 × 34 7/32	9022719	9022981	9022518	9022278	9047475	9072196	9127399	
	28-56CL (4/2017 - Present)	27 7/32 × 35 23/32	9163212	9163210	9163208	9163206	9163202	9163204	9163200	
	28-56CL/56RU (5/2010 - 3/2017)	27 7/32 × 36 7/32	9022718	9022980	9022517	9022277	9047474	9072195	9127398	

## Grilles / Colonial

### Interior Grille with Chisel Plungers - Colonial / 3/4" Wood / Natural Interior (5/2010 - Present)

**Note:**

Size stamped on exterior on right leg (center leg if one) as viewed from exterior. Grilles to be used on sash with no grommets. 20, 24, 26, 28 and 210 width grilles are used as both upper and lower grilles. 18, 30, 34 and 38 width grilles are for **lower** grilles only. See [page 223](#) for 18, 30, 34 and 38 width upper grilles. Conversion Kit grilles use "vintage/old" 310/46 sizes. See IQ+ for additional detail.



- Grille Size
- U-Upper
  - CU-Cottage Upper
  - RU-Reverse Upper
  - L-Lower
  - CL-Cottage Lower
  - RL-Reverse Lower
  - EL-Even Lower
  - C-Cottage

### Interior Grilles - 3/4" Wood with Chisel Plungers

Unit No.	Dimensions (w x h)	Lite Pattern	Color/Species						
			Exterior						
			White	Terra-tone®	Sand-tone	Forest Green	Canvas	Dark Bronze	Black
			Maple Interior						
<b>210</b>	210-210	29 7/32 x 14 7/32	9022761	9023079	9022410	9022320	9047517	9072238	9127417
	210-32/310CU/310RL	29 7/32 x 16 7/32	9022762	9023080	9022411	9022321	9047518	9072239	9127418
	210-36/42CU/42RL	29 7/32 x 18 7/32	9022763	9023081	9022412	9022322	9047519	9072240	9127419
	210-310L (9/2017 - Present)	29 7/32 x 19 23/32	9168209	9168168	9168111	9168109	9168045	9168066	9168088
	210-310 (5/2010 - 8/2017)	29 7/32 x 20 7/32	9022764	9023082	9022413	9022323	9047520	9072241	9127420
	210-310U (9/2017 - Present)	29 7/32 x 20 23/32	9168409	9168381	9168339	9168337	9168290	9168307	9168320
	210-42/52CU/52RL	29 7/32 x 22 7/32	9022765	9023083	9022414	9022324	9047521	9072242	9127421
	210-46L/56RCL (4/2017 - Present)	29 7/32 x 23 23/32	9152773	9152771	9152769	9152768	9152766	9152767	9152765
	210-46/56CU/510CU/56RL/ 510RL (5/2010 - 3/2017)	29 7/32 x 24 7/32	9022766	9023084	9022415	9022325	9047522	9072243	9127422
	210-46U/56CU (4/2017 - Present)	29 7/32 x 24 23/32	9152763	9152761	9152759	9152758	9152756	9152757	9152755
	210-410/62CU/62RL	29 7/32 x 26 7/32	9022767	9023085	9022416	9022326	9047523	9072244	9127423
	210-52	29 7/32 x 28 7/32	9022768	9023086	9022417	9022327	9047524	9072245	9127424
	210-310CL/310RU	29 7/32 x 24 7/32	9022920	9023212	9022602	9022390	9047576	9072297	9127476
	210-42CL/42RU	29 7/32 x 26 7/32	9022921	9023213	9022603	9022391	9047577	9072298	9127477
	210-46CL/46RU	29 7/32 x 28 7/32	9022922	9023214	9022604	9022392	9047578	9072299	9127478
	21056E	29 7/32 x 30 7/32	9022791	9023099	9022430	9022350	9047547	9072268	9127447
	210-510/410CL/410RU	29 7/32 x 32 7/32	9022782	9023100	9022431	9022341	9047538	9072259	9127438
	210-62/52CL/52RU	29 7/32 x 34 7/32	9022783	9023101	9022432	9022342	9047539	9072260	9127439
	210-56CL (4/2017 - Present)	29 7/32 x 35 23/32	9163152	9163150	9163148	9163146	9163142	9163144	9163140
	210-56CL/56RU (5/2010 - 3/2017)	29 7/32 x 36 7/32	9022781	9023106	9022437	9022340	9047537	9072258	9127437

# 400 Series Tilt-Wash (TW) Windows (1992 to Present)

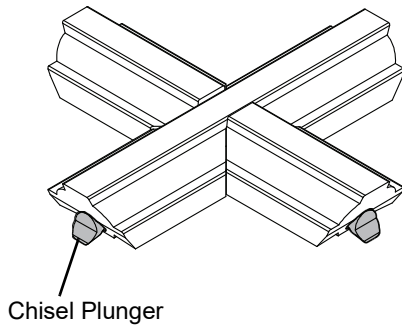
Standard Windows

## Grilles / Colonial

### Interior Grille with Chisel Plungers - Colonial / 3/4" Wood / Natural Interior (5/2010 - Present)

**Note:**

Size stamped on exterior on right leg (center leg if one) as viewed from exterior. Grilles to be used on sash with no grommets. 20, 24, 26, 28 and 210 width grilles are used as both upper and lower grilles. 18, 30, 34 and 38 width grilles are for **lower** grilles only. See [page 223](#) for 18, 30, 34 and 38 width upper grilles. Conversion Kit grilles use "vintage/old" 310/46 sizes. See iQ+ for additional detail.



- Grille Size  
 U-Upper  
 CU-Cottage Upper  
 RU-Reverse Upper  
 L-Lower  
 CL-Cottage Lower  
 RL-Reverse Lower  
 EL-Even Lower  
 C-Cottage

### Interior Grilles - 3/4" Wood with Chisel Plungers

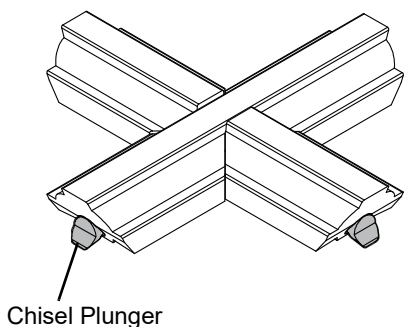
Unit No.	Dimensions (w x h)	Lite Pattern	Color/Species							
			Exterior							
			White	Terra-tone®	Sand-tone	Forest Green	Canvas	Dark Bronze	Black	
			Maple Interior							
<b>30</b>	30-210L	31 7/32 x 14 7/32		9022720	9022982	9022519	9022279	9047476	9072197	9127264
	30-32L/310RL	31 7/32 x 16 7/32		9022721	9022983	9022520	9022280	9047477	9072198	9127265
	30-36L/42RL	31 7/32 x 18 7/32		9022769	9023087	9022418	9022328	9047525	9072246	9127291
	30-310L (9/2017 - Present)	31 7/32 x 19 23/32		9168205	9168164	9168116	9168105	9168041	916806	9168027
	30-310L (5/2010 - 8/2017)	31 7/32 x 20 7/32		9022722	9022984	9022521	9022281	9047478	9072199	9127266
	30-310 (9/2017 - Present)	31 7/32 x 20 23/32		9168405	9168377	9168343	9168333	9168286	9168303	9168276
	30-42L/52RL	31 7/32 x 22 7/32		9022723	9022985	9022522	9022282	9047479	9072200	9127267
	30-46L/56RCL (4/2017 - Present)	31 7/32 x 23 23/32		9152903	9152901	9152899	9152898	9152896	9152897	9152895
	30-46L/56RL/510RL (5/2010 - 3/2017)	31 7/32 x 24 7/32		9022724	9022986	9022523	9022283	9047480	9072201	9127268
	30-410L/62RL	31 7/32 x 26 7/32		9022770	9023088	9022419	9022329	9047526	9072247	9127292
	30-52L	31 7/32 x 28 7/32	9022725	9022987	9022524	9022284	9047481	9072202	9127269	
	30-310CL	31 7/32 x 24 7/32		9022908	9023200	9022617	9022378	9047564	9072285	9127307
	30-42CL	31 7/32 x 26 7/32		9022909	9023201	9022618	9022379	9047565	9072286	9127308
	30-46CL	31 7/32 x 28 7/32		9022910	9023202	9022619	9022380	9047566	9072287	9127309
	30-56EL	31 7/32 x 30 7/32		9022667	9023166	9022644	9022360	9047549	9072270	9127301
	30-510L/410CL	31 7/32 x 32 7/32		9022784	9023103	9022434	9022343	9047540	9072261	9127297
	30-62L/52CL	31 7/32 x 34 7/32		9022727	9022989	9022526	9022286	9047483	9072204	9127271
	30-56CL (4/2017 - Present)	31 7/32 x 35 23/32		9152921	9152919	9152917	9152916	9152914	9152915	9152913
	30-56CL (5/2010 - 3/2017)	31 7/32 x 36 7/32		9022726	9022988	9022525	9022285	9047482	9072203	9127270

## Grilles / Colonial

### Interior Grille with Chisel Plungers - Colonial / 3/4" Wood / Natural Interior (5/2010 - Present)

**Note:**

Size stamped on exterior on right leg (center leg if one) as viewed from exterior. Grilles to be used on sash with no grommets. 20, 24, 26, 28 and 210 width grilles are used as both upper and lower grilles. 18, 30, 34 and 38 width grilles are for **lower** grilles only. See [page 223](#) for 18, 30, 34 and 38 width upper grilles. Conversion Kit grilles use "vintage/old" 310/46 sizes. See IQ+ for additional detail.



- Grille Size
- U-Upper
  - CU-Cottage Upper
  - RU-Reverse Upper
  - L-Lower
  - CL-Cottage Lower
  - RL-Reverse Lower
  - EL-Even Lower
  - C-Cottage

### Interior Grilles - 3/4" Wood with Chisel Plungers

Unit No.	Dimensions (w x h)	Lite Pattern	Color/Species							
			Exterior							
			White	Terra-tone®	Sand-tone	Forest Green	Canvas	Dark Bronze	Black	
			Maple Interior							
<b>34</b>	34-210L	35 7/32 x 14 7/32		9022728	9022990	9022527	9022287	9047484	9072205	9127272
	34-32L/310RL	35 7/32 x 16 7/32		9022729	9022991	9022528	9022288	9047485	9072206	9127273
	34-36L/42RL	35 7/32 x 18 7/32		9022771	9023089	9022420	9022330	9047527	9072248	9127293
	34-310L (9/2017 - Present)	35 7/32 x 19 23/32		9168206	9168165	9168117	9168106	9168042	9168063	9168028
	34-310L (5/2010 - 8/2017)	35 7/32 x 20 7/32		9022730	9022992	9022529	9022289	9047486	9072207	9127274
	34-310 (9/2017 - Present)	35 7/32 x 20 23/32		9168406	9168378	9168344	9168334	9168287	9168304	9168277
	34-42L/52RL	35 7/32 x 22 7/32		9022731	9022993	9022530	9022290	9047487	9072208	9127275
	34-46L/56RCL (4/2017 - Present)	35 7/32 x 23 23/32		9152962	9152961	9152960	9152959	9152957	9152958	9152956
	34-46L/56RL/510RL (5/2010 - 3/2017)	35 7/32 x 24 7/32		9022732	9022994	9022531	9022291	9047488	9072209	9127276
	34-410L/62RL	35 7/32 x 26 7/32		9022772	9023090	9022421	9022331	9047528	9072249	9127294
	34-52L	35 7/32 x 28 7/32		9022733	9022995	9022532	9022292	9047489	9072210	9127277
	34-310CL	35 7/32 x 28 7/32		9022911	9023203	9022620	9022381	9047567	9072288	9127310
	34-42CL	35 7/32 x 26 7/32		9022912	9023204	9022621	9022382	9047568	9072289	9127311
	34-46CL	35 7/32 x 28 7/32		9022913	9023205	9022622	9022383	9047569	9072290	9127312
	34-56EL	35 7/32 x 30 7/32		9022668	9023167	9022645	9022361	9047550	9072271	9127302
	34-510L/410CL	35 7/32 x 32 7/32		9022785	9023107	9022438	9022344	9047541	9072262	9127298
	34-62L/52CL	35 7/32 x 34 7/32		9022735	9022997	9022534	9022294	9047491	9072212	9127279
	34-56CL (4/2017 - Present)	35 7/32 x 35 23/32		9152979	9152977	9152975	9152974	9152972	9152973	9152971
34-56CL (5/2010 - 3/2017)	35 7/32 x 36 7/32	9022734	9022996	9022533	9022293	9047490	9072211	9127278		

# 400 Series Tilt-Wash (TW) Windows (1992 to Present)

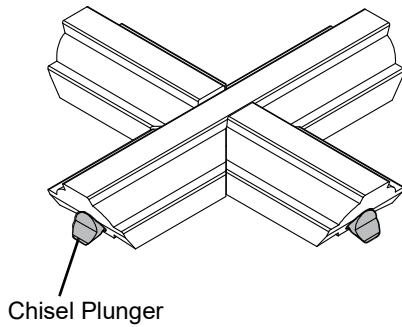
Standard Windows

## Grilles / Colonial

### Interior Grille with Chisel Plungers - Colonial / 3/4" Wood / Natural Interior (5/2010 - Present)

**Note:**

Size stamped on exterior on right leg (center leg if one) as viewed from exterior. Grilles to be used on sash with no grommets. 20, 24, 26, 28 and 210 width grilles are used as both upper and lower grilles. 18, 30, 34 and 38 width grilles are for **lower** grilles only. See [page 223](#) for 18, 30, 34 and 38 width upper grilles. Conversion Kit grilles use "vintage/old" 310/46 sizes. See iQ+ for additional detail.



- Grille Size  
 U-Upper  
 CU-Cottage Upper  
 RU-Reverse Upper  
 L-Lower  
 CL-Cottage Lower  
 RL-Reverse Lower  
 EL-Even Lower  
 C-Cottage

### Interior Grilles - 3/4" Wood with Chisel Plungers

Unit No.	Dimensions (w x h)	Lite Pattern	Color/Species							
			Exterior							
			White	Terra-tone®	Sand-tone	Forest Green	Canvas	Dark Bronze	Black	
			Maple Interior							
<b>38</b>	38-210L	39 7/32 x 14 7/32		9022736	9022998	9022535	9022295	9047492	9072213	9127280
	38-32L/310RL	39 7/32 x 16 7/32		9022737	9022999	9022536	9022296	9047493	9072214	9127281
	38-36L/42RL	39 7/32 x 18 7/32		9022773	9023091	9022422	9022332	9047529	9072250	9127295
	38-310L (9/2017 - Present)	39 7/32 x 19 23/32		9168207	9168166	9168118	9168107	9168043	9168064	9168029
	38-310L (5/2010 - 8/2017)	39 7/32 x 20 7/32		9022738	9023000	9022537	9022297	9047494	9072215	9127282
	38-310 (9/2017 - Present)	39 7/32 x 20 23/32		9168407	9168379	9168345	9168335	9168288	9168305	9168278
	38-42L/52RL	39 7/32 x 22 7/32		9022739	9023001	9022538	9022298	9047495	9072216	9127283
	38-46L/56RCL (4/2017 - Present)	39 7/32 x 23 23/32		9153009	9153007	9153005	9153004	9153002	9153003	9153001
	38-46L/56RL/510RL (5/2010 - 3/2017)	39 7/32 x 24 7/32		9022740	9023002	9022539	9022299	9047496	9072217	9127284
	38-410L/62RL	39 7/32 x 26 7/32		9022774	9023092	9022423	9022333	9047530	9072251	9127296
	38-52L	39 7/32 x 28 7/32		9022741	9023003	9022540	9022300	9047497	9072218	9127285
	38-310CL	39 7/32 x 24 7/32		9022914	9023206	9022623	9022384	9047570	9072291	9127313
	38-42CL	39 7/32 x 26 7/32	9022915	9023207	9022624	9022385	9047571	9072292	9127314	
	38-46CL	39 7/32 x 28 7/32	9022916	9023208	9022625	9022386	9047572	9072293	9127315	
	38-56EL	39 7/32 x 30 7/32	9022669	9023168	9022646	9022362	9047551	9072272	9127303	
	38-510L/410CL	39 7/32 x 32 7/32	9022786	9023108	9022439	9022345	9047542	9072263	9127299	
	38-62L/52CL	39 7/32 x 34 7/32	9022743	9023005	9022542	9022302	9047499	9072220	9127287	
	38-56CL (4/2017 - Present)	39 7/32 x 35 23/32	9153029	9153027	9153025	9153024	9153022	9153023	9153021	
38-56CL (5/2010 - 3/2017)	39 7/32 x 36 7/32	9022742	9023004	9022541	9022301	9047498	9072219	9127286		

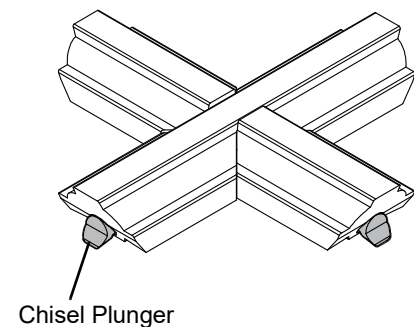
## Grilles / Colonial

### Upper / Lower / Wood Prefinished Interior w/chisel plungers (5/2010 - Present)

#### Interior Grille with Chisel Plungers - Colonial / 3/4" Wood Prefinished Interior (5/2010 - Present)

**Note:**

Size stamped on exterior on right leg (center leg if one) as viewed from exterior. Grilles to be used on sash with no grommets. 20, 24, 26, 28 and 210 width grilles are used as both upper and lower grilles. 18, 30, 34 and 38 width grilles are for **lower** grilles only. See [page 227](#) for 18, 30, 34 and 38 width upper grilles. Conversion Kit grilles use "vintage" 310/46 sizes. See iQ+ for additional detail.



- Grille Size
- U-Upper
- CU-Cottage Upper
- RU-Reverse Upper
- L-Lower
- CL-Cottage Lower
- RL-Reverse Lower
- EL-Even Lower
- C-Cottage

Use Chart For		
Width	Upper	Lower
18		x
20	x	x
24	x	x
26	x	x
28	x	x
210	x	x
30		x
34		x
38		x

#### Interior Grilles - 3/4" Wood with Chisel Plungers

Unit No.	Dimensions (w x h)	Lite Pattern	Color/Finish							
			Exterior							
			White	Terra-tone®	Sand-tone	Forest Green	Canvas	Dark Bronze	Black	
Interior										
White	Terra-tone®	Sand-tone	Forest Green	Canvas	Dark Bronze	Black				
18	18-210L	15 7/32 x 14 7/32	+	9022797	9023006	9022543	OBD	OBD	OBD	OBD
	18-32L/310RL	15 7/32 x 16 7/32		9022798	9023007	9022544	OBD	OBD	OBD	OBD
	18-36L/42RL	15 7/32 x 18 7/32		9022853	9023109	9022440	OBD	OBD	OBD	OBD
	18-310L (9/2017 - Present)	15 7/32 x 19 23/32		9168249	9168210	9168153	OBD	OBD	OBD	OBD
	18-310L (5/2010 - 8/2017)	15 7/32 x 20 7/32		9022799	9023008	9022545	OBD	OBD	OBD	OBD
	18-310 (9/2017 - Present)	15 7/32 x 20 23/32		9168455	9168437	9168401	OBD	OBD	OBD	OBD
	18-42L/52RL	15 7/32 x 22 7/32		9022800	9023009	9022546	OBD	OBD	OBD	OBD
	18-46L/56RCL (4/2017 - Present)	15 7/32 x 23 23/32		9152674	9152672	9152670	OBD	OBD	OBD	OBD
	18-46L/56RL/510RL (5/2010 - 3/2017)	15 7/32 x 24 7/32		9022801	9023010	9022547	OBD	OBD	OBD	OBD
	18-410L/62RL	15 7/32 x 26 7/32		9022854	9023110	9022441	OBD	OBD	OBD	OBD
	18-52L	15 7/32 x 28 7/32	9022802	9023011	9022548	OBD	OBD	OBD	OBD	
	18-310CL	15 7/32 x 24 7/32	+	9022923	OBD	OBD	OBD	OBD	OBD	OBD
	18-42CL	15 7/32 x 26 7/32		9022924	OBD	OBD	OBD	OBD	OBD	OBD
	18-46CL	15 7/32 x 28 7/32		9022925	OBD	OBD	OBD	OBD	OBD	OBD
	18-56EL	15 7/32 x 30 7/32		9022680	9023012	9022549	OBD	OBD	OBD	OBD
	18-510L/410CL	15 7/32 x 32 7/32		9022855	9023111	9022442	OBD	OBD	OBD	OBD
	18-62L/52CL	15 7/32 x 34 7/32		9022804	9023013	9022550	OBD	OBD	OBD	OBD
	18-56CL (4/2017 - Present)	15 7/32 x 35 23/32		9152694	9152692	9152694	OBD	OBD	OBD	OBD
	18-56CL (5/2010 - 3/2017)	15 7/32 x 36 7/32		9022803	9023177	9022633	OBD	OBD	OBD	OBD



# 400 Series Tilt-Wash (TW) Windows (1992 to Present)

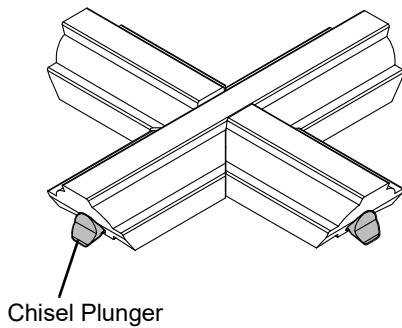
Standard Windows

## Grilles / Colonial

### Interior Grille with Chisel Plungers - Colonial / 3/4" Wood Prefinished Interior (5/2010 - Present)

**Note:**

Size stamped on exterior on right leg (center leg if one) as viewed from exterior. Grilles to be used on sash with no grommets. 20, 24, 26, 28 and 210 width grilles are used as both upper and lower grilles. 18, 30, 34 and 38 width grilles are for **lower** grilles only. See [page 227](#) for 18, 30, 34 and 38 width upper grilles. Conversion Kit grilles use "vintage" 310/46 sizes. See iQ+ for additional detail.



- Grille Size  
 U-Upper  
 CU-Cottage Upper  
 RU-Reverse Upper  
 L-Lower  
 CL-Cottage Lower  
 RL-Reverse Lower  
 EL-Even Lower  
 C-Cottage

Use Chart For		
Width	Upper	Lower
18		x
20	x	x
24	x	x
26	x	x
28	x	x
210	x	x
30		x
34		x
38		x

### Interior Grilles - 3/4" Wood with Chisel Plungers

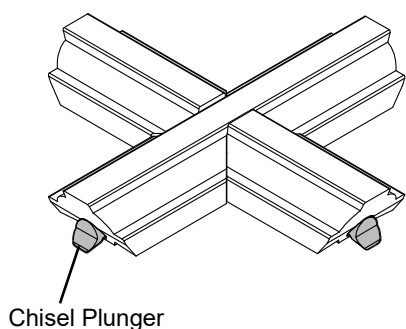
Unit No.	Dimensions (w x h)	Lite Pattern	Color/Finish						
			Exterior						
			White	Terra-tone®	Sand-tone	Forest Green	Canvas	Dark Bronze	Black
Interior									
White	Terra-tone®	Sand-tone	Forest Green	Canvas	Dark Bronze	Black			
<b>20</b>	20-210	19 7/32 x 14 7/32	9022805	9023014	9022551	OBD	OBD	OBD	OBD
	20-32/310CU/310RL	19 7/32 x 16 7/32	9022806	9023015	9022552	OBD	OBD	OBD	OBD
	20-36/42CU/42RL	19 7/32 x 18 7/32	9022856	9023112	9022443	OBD	OBD	OBD	OBD
	20-310L (9/2017 - Present)	19 7/32 x 19 23/32	9168250	9168211	9168154	OBD	OBD	OBD	OBD
	20-310 (5/2010 - 8/2017)	19 7/32 x 20 7/32	9022807	9023016	9022553	OBD	OBD	OBD	OBD
	20-310 (9/2017 - Present)	19 7/32 x 20 23/32	9168438	9168410	9168368	OBD	OBD	OBD	OBD
	20-42/52CU/52RL	19 7/32 x 22 7/32	9022808	9023017	9022554	OBD	OBD	OBD	OBD
	20-46L/56RCL (4/2017 - Present)	19 7/32 x 23 23/32	9152744	9152742	9152740	OBD	OBD	OBD	OBD
	20-46/56CU/510CU/56RL/510RL (5/2010 - 3/2017)	19 7/32 x 24 7/32	9022809	9023018	9022555	OBD	OBD	OBD	OBD
	20-46U/56CU (4/2017 - Present)	19 7/32 x 24 23/32	9152734	9152732	9152730	OBD	OBD	OBD	OBD
	20-410/62CU/62RL	19 7/32 x 26 7/32	9022857	9023113	9022444	OBD	OBD	OBD	OBD
	20-52	19 7/32 x 28 7/32	9022810	9023019	9022556	OBD	OBD	OBD	OBD
	20-310CL/310RU	19 7/32 x 24 7/32	9022926	OBD	OBD	OBD	OBD	OBD	OBD
	20-42CL/42RU	19 7/32 x 26 7/32	9022927	OBD	OBD	OBD	OBD	OBD	OBD
	20-46CL/46RU	19 7/32 x 28 7/32	9022928	OBD	OBD	OBD	OBD	OBD	OBD
	20-56E	19 7/32 x 30 7/32	9022792	9023020	9022557	OBD	OBD	OBD	OBD
	20-510/410CL /410RU	19 7/32 x 32 7/32	9022884	9023140	9022471	OBD	OBD	OBD	OBD
	20-62/52CL/52RU	19 7/32 x 34 7/32	9022812	9023021	9022558	OBD	OBD	OBD	OBD
	20-56CL (4/2017 - Present)	19 7/32 x 35 23/32	9163138	9163134	9163130	OBD	OBD	OBD	OBD
	20-56CL (5/2010 - 3/2017)	19 7/32 x 36 7/32	9022811	9023178	9022655	OBD	OBD	OBD	OBD

## Grilles / Colonial

### Interior Grille with Chisel Plungers - Colonial / 3/4" Wood Prefinished Interior (5/2010 - Present)

**Note:**

Size stamped on exterior on right leg (center leg if one) as viewed from exterior. Grilles to be used on sash with no grommets. 20, 24, 26, 28 and 210 width grilles are used as both upper and lower grilles. 18, 30, 34 and 38 width grilles are for **lower** grilles only. See [page 227](#) for 18, 30, 34 and 38 width upper grilles. Conversion Kit grilles use "vintage" 310/46 sizes. See iQ+ for additional detail.



Grille Size  
 U-Upper  
 CU-Cottage Upper  
 RU-Reverse Upper  
 L-Lower  
 CL-Cottage Lower  
 RL-Reverse Lower  
 EL-Even Lower  
 C-Cottage

Use Chart For		
Width	Upper	Lower
18		x
20	x	x
24	x	x
26	x	x
28	x	x
210	x	x
30		x
34		x
38		x

### Interior Grilles - 3/4" Wood with Chisel Plungers

Unit No.	Dimensions (w x h)	Lite Pattern	Color/Finish						
			Exterior						
			White	Terra-tone®	Sand-tone	Forest Green	Canvas	Dark Bronze	Black
Interior									
White	Terra-tone®	Sand-tone	Forest Green	Canvas	Dark Bronze	Black			
<b>24</b>	<b>24-210</b>	23 7/32 x 14 7/32	9022813	9023022	9022559	OBD	OBD	OBD	OBD
	<b>24-32/310CU/310RL</b>	23 7/32 x 16 7/32	9022814	9023023	9022560	OBD	OBD	OBD	OBD
	<b>24-36/42CU/42RL</b>	23 7/32 x 18 7/32	9022858	9023114	9022445	OBD	OBD	OBD	OBD
	<b>24-310L</b> (9/2017 - Present)	23 7/32 x 19 23/32	9168251	9168212	9168155	OBD	OBD	OBD	OBD
	<b>24-310/</b> (5/2010 - 8/2017)	23 7/32 x 20 7/32	9022815	9023024	9022561	OBD	OBD	OBD	OBD
	<b>24-310U</b> 9/2017 - Present)	23 7/32 x 20 23/32	9168439	9168411	9168369	OBD	OBD	OBD	OBD
	<b>24-42/52CU/52RL</b>	23 7/32 x 22 7/32	9022816	9023025	9022562	OBD	OBD	OBD	OBD
	<b>24-46L/56RCL</b> (4/2017 - Present)	23 7/32 x 23 23/32	9152814	9152812	9152810	OBD	OBD	OBD	OBD
	<b>24-46/56CU/510CU/56RL/510RL</b> (5/2010 - 3/2017)	23 7/32 x 24 7/32	9022817	9023026	9022563	OBD	OBD	OBD	OBD
	<b>24-46U/56CU</b> (4/2017 - Present)	23 7/32 x 24 23/32	9152804	9152802	9152800	OBD	OBD	OBD	OBD
	<b>24-410/62CU/62RL</b>	23 7/32 x 26 7/32	9022859	9023115	9022446	OBD	OBD	OBD	OBD
	<b>24-52</b>	23 7/32 x 28 7/32	9022818	9023027	9022564	OBD	OBD	OBD	OBD
	<b>24-310CL/310RU</b>	23 7/32 x 24 7/32	9022929	OBD	OBD	OBD	OBD	OBD	OBD
	<b>24-42CL/42RU</b>	23 7/32 x 26 7/32	9022930	OBD	OBD	OBD	OBD	OBD	OBD
	<b>24-46CL/46RU</b>	23 7/32 x 28 7/32	9022931	OBD	OBD	OBD	OBD	OBD	OBD
	<b>24-56E</b>	23 7/32 x 30 7/32	9022793	9023149	9022480	OBD	OBD	OBD	OBD
	<b>24-510/410CL/410RU</b>	23 7/32 x 32 7/32	9022885	9023141	9022472	OBD	OBD	OBD	OBD
	<b>24-62/52CL/52RU</b>	23 7/32 x 34 7/32	9022820	9023029	9022566	OBD	OBD	OBD	OBD
	<b>24-56CL</b> (4/2017 - Present)	23 7/32 x 35 23/32	9163178	9163176	9163174	OBD	OBD	OBD	OBD
	<b>24-56CL</b> (5/2010 - 3/2017)	23 7/32 x 36 7/32	9022819	9023028	9022565	OBD	OBD	OBD	OBD

# 400 Series Tilt-Wash (TW) Windows (1992 to Present)

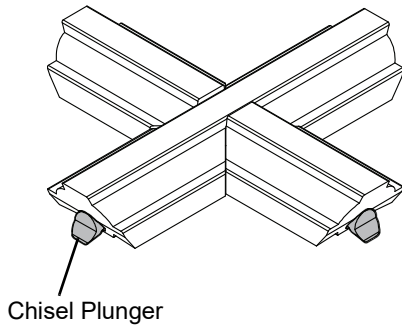
Standard Windows

## Grilles / Colonial

### Interior Grille with Chisel Plungers - Colonial / 3/4" Wood Prefinished Interior (5/2010 - Present)

**Note:**

Size stamped on exterior on right leg (center leg if one) as viewed from exterior. Grilles to be used on sash with no grommets. 20, 24, 26, 28 and 210 width grilles are used as both upper and lower grilles. 18, 30, 34 and 38 width grilles are for **lower** grilles only. See [page 227](#) for 18, 30, 34 and 38 width upper grilles. Conversion Kit grilles use "vintage" 310/46 sizes. See iQ+ for additional detail.



Grille Size  
 U-Upper  
 CU-Cottage Upper  
 RU-Reverse Upper  
 L-Lower  
 CL-Cottage Lower  
 RL-Reverse Lower  
 EL-Even Lower  
 C-Cottage

Use Chart For		
Width	Upper	Lower
18		x
20	x	x
24	x	x
26	x	x
28	x	x
210	x	x
30		x
34		x
38		x

### Interior Grilles - 3/4" Wood with Chisel Plungers

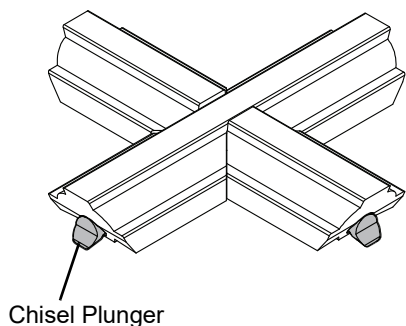
Unit No.	Dimensions (w x h)	Lite Pattern	Color/Finish							
			Exterior							
			White	Terra-tone®	Sand-tone	Forest Green	Canvas	Dark Bronze	Black	
Interior										
White	Terra-tone®	Sand-tone	Forest Green	Canvas	Dark Bronze	Black				
<b>26</b>	26-210	25 7/32 x 14 7/32	+	9022860	9023116	9022447	OBD	OBD	OBD	OBD
	26-32/310CU/310RL	25 7/32 x 16 7/32		9022861	9023117	9022448	OBD	OBD	OBD	OBD
	26-36/42CU/42RL	25 7/32 x 18 7/32		9022862	9023118	9022449	OBD	OBD	OBD	OBD
	26-310L (9/2017 - Present)	25 7/32 x 19 23/32		9168256	9168217	9168151	OBD	OBD	OBD	OBD
	26-310 (5/2010 - 8/2017)	25 7/32 x 20 7/32		9022863	9023119	9022450	OBD	OBD	OBD	OBD
	26-310U (9/2017 - Present)	25 7/32 x 20 7/32		9168444	9168416	9168366	OBD	OBD	OBD	OBD
	26-42/52CU/52RL	25 7/32 x 22 7/32		9022864	9023120	9022451	OBD	OBD	OBD	OBD
	26-46L/56RCL (4/2017 - Present)	25 7/32 x 23 23/32		9152844	9152842	9152840	OBD	OBD	OBD	OBD
	26-46/56CU/510CU/56RL/510RL (5/2010 - 3/2017)	25 7/32 x 24 7/32		9022865	9023121	9022452	OBD	OBD	OBD	OBD
	26-46U/56CU (4/2017 - Present)	25 7/32 x 24 23/32		9152834	9152832	9152830	OBD	OBD	OBD	OBD
	26-410/62CU/62RL	25 7/32 x 26 7/32	9022866	9023122	9022453	OBD	OBD	OBD	OBD	
	26-52	25 7/32 x 28 7/32	9022867	9023123	9022454	OBD	OBD	OBD	OBD	
	26-310CL/310RU	25 7/32 x 24 7/32	+	9022944	OBD	OBD	OBD	OBD	OBD	OBD
	26-42CL/42RU	25 7/32 x 26 7/32		9022945	OBD	OBD	OBD	OBD	OBD	OBD
	26-46CL/46RU	25 7/32 x 28 7/32		9022946	OBD	OBD	OBD	OBD	OBD	OBD
	26-56E	25 7/32 x 30 7/32		9022794	9023142	9022473	OBD	OBD	OBD	OBD
	26-510/410CL/410RU	25 7/32 x 32 7/32		9022887	9023143	9022474	OBD	OBD	OBD	OBD
	26-62/52CL/52RU	25 7/32 x 34 7/32		9022888	9023144	9022475	OBD	OBD	OBD	OBD
	26-56CL (4/2017 - Present)	25 7/32 x 35 23/32		9163198	9163196	9163194	OBD	OBD	OBD	OBD
	26-56CL (5/2010 - 3/2017)	25 7/32 x 36 7/32		9022886	9023151	9022482	OBD	OBD	OBD	OBD

## Grilles / Colonial

### Interior Grille with Chisel Plungers - Colonial / 3/4" Wood Prefinished Interior (5/2010 - Present)

**Note:**

Size stamped on exterior on right leg (center leg if one) as viewed from exterior. Grilles to be used on sash with no grommets. 20, 24, 26, 28 and 210 width grilles are used as both upper and lower grilles. 18, 30, 34 and 38 width grilles are for **lower** grilles only. See [page 227](#) for 18, 30, 34 and 38 width upper grilles. Conversion Kit grilles use "vintage" 310/46 sizes. See iQ+ for additional detail.



Grille Size  
 U-Upper  
 CU-Cottage Upper  
 RU-Reverse Upper  
 L-Lower  
 CL-Cottage Lower  
 RL-Reverse Lower  
 EL-Even Lower  
 C-Cottage

Use Chart For		
Width	Upper	Lower
18		x
20	x	x
24	x	x
26	x	x
28	x	x
210	x	x
30		x
34		x
38		x

### Interior Grilles - 3/4" Wood with Chisel Plungers

Unit No.	Dimensions (w x h)	Lite Pattern	Color/Finish						
			Exterior						
			White	Terra-tone®	Sand-tone	Forest Green	Canvas	Dark Bronze	Black
Interior									
White	Terra-tone®	Sand-tone	Forest Green	Canvas	Dark Bronze	Black			
<b>28</b>	28-210	27 7/32 x 14 7/32	9022821	9023030	9022567	OBD	OBD	OBD	OBD
	28-32/310CU/310RL	27 7/32 x 16 7/32	9022822	9023031	9022568	OBD	OBD	OBD	OBD
	28-36/42CU/42RL	27 7/32 x 18 7/32	9022868	9023124	9022455	OBD	OBD	OBD	OBD
	28-310L (9/2017 - Present)	27 7/32 x 19 23/32	9168252	9168213	9168156	OBD	OBD	OBD	OBD
	28-310 (5/2010 - 8/2017)	27 7/32 x 20 7/32	9022823	9023032	9022569	OBD	OBD	OBD	OBD
	28-310U (9/2017 - Present)	27 7/32 x 20 23/32	9168440	9168412	9168370	OBD	OBD	OBD	OBD
	28-42/52CU/52RL	27 7/32 x 22 7/32	9022824	9023033	9022570	OBD	OBD	OBD	OBD
	28-46L/56RCL (4/2017 - Present)	27 7/32 x 23 23/32	9152874	9152872	9152870	OBD	OBD	OBD	OBD
	28-46/56CU/510CU/56RL/510RL (5/2010 - 3/2017)	27 7/32 x 24 7/32	9022825	9023034	9022571	OBD	OBD	OBD	OBD
	28-46U/56CU (4/2017 - Present)	27 7/32 x 24 23/32	9152864	9152862	9152860	OBD	OBD	OBD	OBD
	28-410/62CU/62RL	27 7/32 x 26 7/32	9022869	9023125	9022456	OBD	OBD	OBD	OBD
	28-52	27 7/32 x 28 7/32	9022826	9023035	9022572	OBD	OBD	OBD	OBD
	28-310CL/310RU	27 7/32 x 24 7/32	9022932	OBD	OBD	OBD	OBD	OBD	OBD
	28-42CL/42RU	27 7/32 x 26 7/32	9022933	OBD	OBD	OBD	OBD	OBD	OBD
	28-46CL/46RU	27 7/32 x 28 7/32	9022934	OBD	OBD	OBD	OBD	OBD	OBD
	28-56E	27 7/32 x 30 7/32	9022795	9023152	9022483	OBD	OBD	OBD	OBD
	28-510/410CL/410RU	27 7/32 x 32 7/32	9022889	9023145	9022476	OBD	OBD	OBD	OBD
	28-62/52CL/52RU	27 7/32 x 34 7/32	9022828	9023037	9022574	OBD	OBD	OBD	OBD
	28-56CL (4/2017 - Present)	27 7/32 x 35 23/32	9163218	9163216	9163214	OBD	OBD	OBD	OBD
	28-56CL (5/2010 - 3/2017)	27 7/32 x 36 7/32	9022827	9023036	9022573	OBD	OBD	OBD	OBD

# 400 Series Tilt-Wash (TW) Windows (1992 to Present)

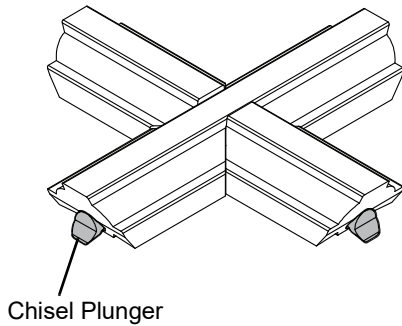
Standard Windows

## Grilles / Colonial

### Interior Grille with Chisel Plungers - Colonial / 3/4" Wood Prefinished Interior (5/2010 - Present)

**Note:**

Size stamped on exterior on right leg (center leg if one) as viewed from exterior. Grilles to be used on sash with no grommets. 20, 24, 26, 28 and 210 width grilles are used as both upper and lower grilles. 18, 30, 34 and 38 width grilles are for **lower** grilles only. See [page 227](#) for 18, 30, 34 and 38 width upper grilles. Conversion Kit grilles use "vintage" 310/46 sizes. See iQ+ for additional detail.



- Grille Size  
 U-Upper  
 CU-Cottage Upper  
 RU-Reverse Upper  
 L-Lower  
 CL-Cottage Lower  
 RL-Reverse Lower  
 EL-Even Lower  
 C-Cottage

Use Chart For		
Width	Upper	Lower
18		x
20	x	x
24	x	x
26	x	x
28	x	x
210	x	x
30		x
34		x
38		x

### Interior Grilles - 3/4" Wood with Chisel Plungers

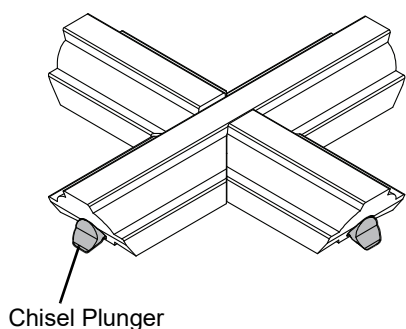
Unit No.	Dimensions (w x h)	Lite Pattern	Color/Finish						
			Exterior						
			White	Terra-tone®	Sand-tone	Forest Green	Canvas	Dark Bronze	Black
			Interior						
			White	Terra-tone®	Sand-tone	Forest Green	Canvas	Dark Bronze	Black
<b>210</b>	210-210		9022870	9023126	9022457	OBD	OBD	OBD	OBD
	210-32/310CU/310RL		9022871	9023127	9022458	OBD	OBD	OBD	OBD
	210-36/42CU/42RL		9022872	9023128	9022459	OBD	OBD	OBD	OBD
	210-310L (9/2017 - Present)		9168257	9168218	9168152	OBD	OBD	OBD	OBD
	210-310 (5/2010 - 8/2017)		9022873	9023129	9022460	OBD	OBD	OBD	OBD
	210-310U (9/2017 - Present)		9168445	9168417	9168367	OBD	OBD	OBD	OBD
	210-42/52CU/52RL		9022874	9023130	9022461	OBD	OBD	OBD	OBD
	210-46L/56RCL (4/2017 - Present)		9152774	9152772	9152770	OBD	OBD	OBD	OBD
	210-46/56CU/510CU/56RL/ 510RL (5/2010 - 3/2017)		9022875	9023131	9022462	OBD	OBD	OBD	OBD
	210-46U/56CU (4/2017 - Present)		9152764	9152762	9152760	OBD	OBD	OBD	OBD
	210-410/62CU/62RL	9022876	9023132	9022463	OBD	OBD	OBD	OBD	
	210-52	9022877	9023133	9022464	OBD	OBD	OBD	OBD	
	210-310CL/310RU		9022947	OBD	OBD	OBD	OBD	OBD	OBD
	210-42CL/42RU		9022948	OBD	OBD	OBD	OBD	OBD	OBD
	210-46CL/46RU		9022949	OBD	OBD	OBD	OBD	OBD	OBD
	210-56E		9022796	9023146	9022477	OBD	OBD	OBD	OBD
	210-510/410CL/410RU		9022891	9023147	9022478	OBD	OBD	OBD	OBD
	210-62/52CL/52RU		9022892	9023148	9022479	OBD	OBD	OBD	OBD
	210-56CL (4/2017 - Present)		9163158	9163156	9163154	OBD	OBD	OBD	OBD
	210-56CL (5/2010 - 3/2017)		9022890	9023153	9022484	OBD	OBD	OBD	OBD

## Grilles / Colonial

### Interior Grille with Chisel Plungers - Colonial / 3/4" Wood Prefinished Interior (5/2010 - Present)

**Note:**

Size stamped on exterior on right leg (center leg if one) as viewed from exterior. Grilles to be used on sash with no grommets. 20, 24, 26, 28 and 210 width grilles are used as both upper and lower grilles. 18, 30, 34 and 38 width grilles are for **lower** grilles only. See [page 227](#) for 18, 30, 34 and 38 width upper grilles. Conversion Kit grilles use "vintage" 310/46 sizes. See iQ+ for additional detail.



Grille Size  
 U-Upper  
 CU-Cottage Upper  
 RU-Reverse Upper  
 L-Lower  
 CL-Cottage Lower  
 RL-Reverse Lower  
 EL-Even Lower  
 C-Cottage

Use Chart For		
Width	Upper	Lower
18		x
20	x	x
24	x	x
26	x	x
28	x	x
210	x	x
30		x
34		x
38		x

### Interior Grilles - 3/4" Wood with Chisel Plungers

Unit No.	Dimensions (w x h)	Lite Pattern	Color/Finish						
			Exterior						
			White	Terra-tone®	Sand-tone	Forest Green	Canvas	Dark Bronze	Black
Interior									
White	Terra-tone®	Sand-tone	Forest Green	Canvas	Dark Bronze	Black			
<b>30</b>	30-210L	31 7/32 x 14 7/32	9022829	9023038	9022575	OBD	OBD	OBD	OBD
	30-32L/310RL	31 7/32 x 16 7/32	9022830	9023039	9022576	OBD	OBD	OBD	OBD
	30-36L/42RL	31 7/32 x 18 7/32	9022878	9023134	9022465	OBD	OBD	OBD	OBD
	30-310 (9/2017 - Present)	31 7/32 x 19 23/32	9168253	9168214	9168157	OBD	OBD	OBD	OBD
	30-310L (5/2010 - 8/2017)	31 7/32 x 20 7/32	9022831	9023040	9022577	OBD	OBD	OBD	OBD
	30-310U (9/2017 - Present)	31 7/32 x 20 23/32	9168441	9168413	9168371	OBD	OBD	OBD	OBD
	30-42L/52RL	31 7/32 x 22 7/32	9022832	9023041	9022578	OBD	OBD	OBD	OBD
	30-46L/56RCL (4/2017 - Present)	31 7/32 x 23 23/32	9152904	9152902	9152900	OBD	OBD	OBD	OBD
	30-46L/56RL/510RL (5/2010 - 3/2017)	31 7/32 x 24 7/32	9022833	9023042	9022579	OBD	OBD	OBD	OBD
	30-410L/62RL	31 7/32 x 26 7/32	9022879	9023135	9022466	OBD	OBD	OBD	OBD
	30-52L	31 7/32 x 28 7/32	9022834	9023043	9022580	OBD	OBD	OBD	OBD
	30-310CL	31 7/32 x 24 7/32	9022935	OBD	OBD	OBD	OBD	OBD	OBD
	30-42CL	31 7/32 x 26 7/32	9022936	OBD	OBD	OBD	OBD	OBD	OBD
	30-46CL	31 7/32 x 28 7/32	9022937	OBD	OBD	OBD	OBD	OBD	OBD
	30-56EL	31 7/32 x 30 7/32	9022682	9023179	9022656	OBD	OBD	OBD	OBD
	30-510L/410CL	31 7/32 x 32 7/32	9022893	9023150	9022481	OBD	OBD	OBD	OBD
	30-62L/52CL	31 7/32 x 34 7/32	9022836	9023045	9022582	OBD	OBD	OBD	OBD
	30-56CL (4/2017 - Present)	31 7/32 x 35 23/32	9152922	9152920	9152918	OBD	OBD	OBD	OBD
	30-56CL (5/2010 - 3/2017)	31 7/32 x 36 7/32	9022835	9023044	9022581	OBD	OBD	OBD	OBD

# 400 Series Tilt-Wash (TW) Windows (1992 to Present)

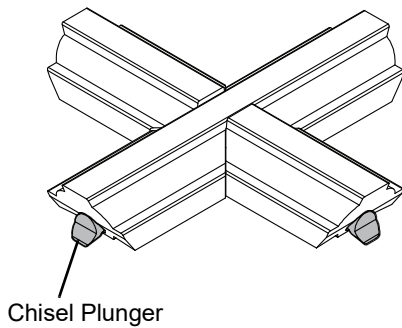
Standard Windows

## Grilles / Colonial

### Interior Grille with Chisel Plungers - Colonial / 3/4" Wood Prefinished Interior (5/2010 - Present)

**Note:**

Size stamped on exterior on right leg (center leg if one) as viewed from exterior. Grilles to be used on sash with no grommets. 20, 24, 26, 28 and 210 width grilles are used as both upper and lower grilles. 18, 30, 34 and 38 width grilles are for **lower** grilles only. See [page 227](#) for 18, 30, 34 and 38 width upper grilles. Conversion Kit grilles use "vintage" 310/46 sizes. See iQ+ for additional detail.



Grille Size  
 U-Upper  
 CU-Cottage Upper  
 RU-Reverse Upper  
 L-Lower  
 CL-Cottage Lower  
 RL-Reverse Lower  
 EL-Even Lower  
 C-Cottage

Use Chart For		
Width	Upper	Lower
18		x
20	x	x
24	x	x
26	x	x
28	x	x
210	x	x
30		x
34		x
38		x

### Interior Grilles - 3/4" Wood with Chisel Plungers

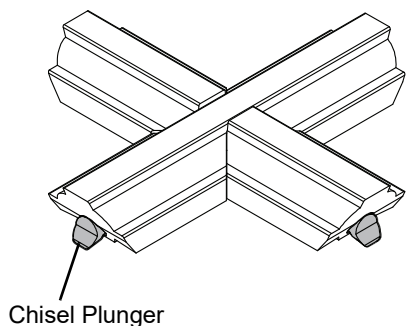
Unit No.	Dimensions (w x h)	Lite Pattern	Color/Finish							
			Exterior							
			White	Terra-tone®	Sand-tone	Forest Green	Canvas	Dark Bronze	Black	
Interior										
White	Terra-tone®	Sand-tone	Forest Green	Canvas	Dark Bronze	Black				
<b>34</b>	34-210L	35 7/32 x 14 7/32		9022837	9023046	9022583	OBD	OBD	OBD	OBD
	34-32L/310RL	35 7/32 x 16 7/32		9022838	9023047	9022584	OBD	OBD	OBD	OBD
	34-36L/42RL	35 7/32 x 18 7/32		9022880	9023136	9022467	OBD	OBD	OBD	OBD
	34-310L (9/2017 - Present)	35 7/32 x 19 23/32		9168254	9168215	9168158	OBD	OBD	OBD	OBD
	34-310L (5/2010 - 8/2017)	35 7/32 x 20 7/32		9022839	9023048	9022585	OBD	OBD	OBD	OBD
	34-310 (9/2017 - Present)	35 7/32 x 20 23/32		9168442	9168414	9168372	OBD	OBD	OBD	OBD
	34-42L/52RL	35 7/32 x 22 7/32		9022840	9023049	9022586	OBD	OBD	OBD	OBD
	34-46L/56RCL (4/2017 - Present)	35 7/32 x 23 23/32		9152955	9152953	9152951	OBD	OBD	OBD	OBD
	34-46L/56RL/510RL (5/2010 - 3/2017)	35 7/32 x 24 7/32		9022841	9023050	9022587	OBD	OBD	OBD	OBD
	34-410L/62RL	35 7/32 x 26 7/32		9022881	9023137	9022468	OBD	OBD	OBD	OBD
	34-52L	35 7/32 x 28 7/32	9022842	9023051	9022588	OBD	OBD	OBD	OBD	
	34-310CL	35 7/32 x 28 7/32		9022938	OBD	OBD	OBD	OBD	OBD	OBD
	34-42CL	35 7/32 x 26 7/32		9022939	OBD	OBD	OBD	OBD	OBD	OBD
	34-46CL	35 7/32 x 28 7/32		9022940	OBD	OBD	OBD	OBD	OBD	OBD
	34-56EL	35 7/32 x 30 7/32		9022683	9023180	9022657	OBD	OBD	OBD	OBD
	34-510L/410CL	35 7/32 x 32 7/32		9022894	9023154	9022485	OBD	OBD	OBD	OBD
	34-62L/52CL	35 7/32 x 34 7/32		9022844	9023053	9022590	OBD	OBD	OBD	OBD
	34-56CL (4/2017 - Present)	35 7/32 x 35 23/32		9152980	9152978	9152976	OBD	OBD	OBD	OBD
	34-56CL (5/2010 - 3/2017)	35 7/32 x 36 7/32		9022843	9023052	9022589	OBD	OBD	OBD	OBD

## Grilles / Colonial

### Interior Grille with Chisel Plungers - Colonial / 3/4" Wood Prefinished Interior (5/2010 - Present)

**Note:**

Size stamped on exterior on right leg (center leg if one) as viewed from exterior. Grilles to be used on sash with no grommets. 20, 24, 26, 28 and 210 width grilles are used as both upper and lower grilles. 18, 30, 34 and 38 width grilles are for **lower** grilles only. See [page 227](#) for 18, 30, 34 and 38 width upper grilles. Conversion Kit grilles use "vintage" 310/46 sizes. See iQ+ for additional detail.



Grille Size  
 U-Upper  
 CU-Cottage Upper  
 RU-Reverse Upper  
 L-Lower  
 CL-Cottage Lower  
 RL-Reverse Lower  
 EL-Even Lower  
 C-Cottage

Use Chart For		
Width	Upper	Lower
18		x
20	x	x
24	x	x
26	x	x
28	x	x
210	x	x
30		x
34		x
38		x

### Interior Grilles - 3/4" Wood with Chisel Plungers

Unit No.	Dimensions (w x h)	Lite Pattern	Color/Finish						
			Exterior						
			White	Terra-tone®	Sand-tone	Forest Green	Canvas	Dark Bronze	Black
Interior									
White	Terra-tone®	Sand-tone	Forest Green	Canvas	Dark Bronze	Black			
<b>38</b>	38-210L	39 7/32 x 14 7/32	9022845	9023054	9022591	OBD	OBD	OBD	OBD
	38-32L/310RL	39 7/32 x 16 7/32	9022846	9023055	9022592	OBD	OBD	OBD	OBD
	38-36L/42RL	39 7/32 x 18 7/32	9022882	9023138	9022469	OBD	OBD	OBD	OBD
	38-310L (9/2017 - Present)	39 7/32 x 19 23/32	9168255	9168216	9168159	OBD	OBD	OBD	OBD
	38-310L (5/2010 - 8/2017)	39 7/32 x 20 7/32	9022847	9023056	9022593	OBD	OBD	OBD	OBD
	38-310 (9/2017 - Present)	39 7/32 x 20 23/32	9168443	9168415	9168373	OBD	OBD	OBD	OBD
	38-42L/52RL	39 7/32 x 22 7/32	9022848	9023057	9022594	OBD	OBD	OBD	OBD
	38-46L/56RCL (4/2017 - Present)	39 7/32 x 23 23/32	9153010	9153008	9153006	OBD	OBD	OBD	OBD
	38-46L/56RL/510RL (5/2010 - 3/2017)	39 7/32 x 24 7/32	9022849	9023058	9022595	OBD	OBD	OBD	OBD
	38-410L/62RL	39 7/32 x 26 7/32	9022883	9023139	9022470	OBD	OBD	OBD	OBD
	38-52L	39 7/32 x 28 7/32	9022850	9023059	9022596	OBD	OBD	OBD	OBD
	38-310CL	39 7/32 x 24 7/32	9022941	OBD	OBD	OBD	OBD	OBD	OBD
	38-42CL	39 7/32 x 26 7/32	9022942	OBD	OBD	OBD	OBD	OBD	OBD
	38-46CL	39 7/32 x 28 7/32	9022943	OBD	OBD	OBD	OBD	OBD	OBD
	38-56EL	39 7/32 x 30 7/32	9022684	9023181	9022643	OBD	OBD	OBD	OBD
	38-510L/410CL	39 7/32 x 32 7/32	9022895	9023155	9022486	OBD	OBD	OBD	OBD
	38-62L/52CL	39 7/32 x 34 7/32	9022852	9023061	9022598	OBD	OBD	OBD	OBD
	38-56CL (4/2017 - Present)	39 7/32 x 35 23/32	9153030	9153028	9153026	OBD	OBD	OBD	OBD
	38-56CL (5/2010 - 3/2017)	39 7/32 x 36 7/32	9022851	9023060	9022597	OBD	OBD	OBD	OBD



# 400 Series Tilt-Wash (TW) Windows (1992 to Present)

Standard Windows

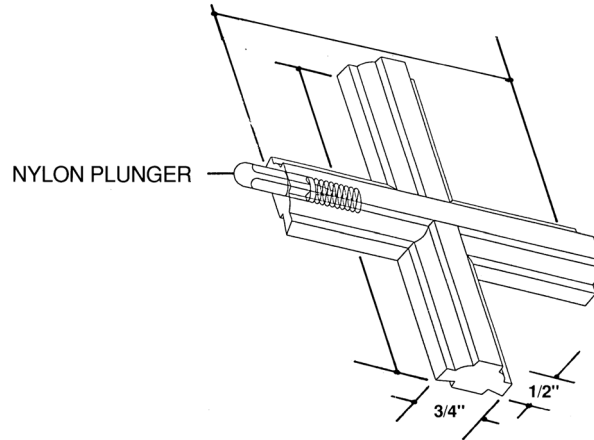
## Grilles / Colonial

### Upper / Lower / Wood Interior w/plungers (1992 - 5/2010)

#### Interior Grille with Plungers - Colonial / 3/4" Wood Interior w/plungers (1992 - 5/2010)

**Note:**

All grilles other than 56C can be used on upper and lower sash. Grilles to be used on sash with grommets. See iQ+ for additional detail.



#### Tilt-Wash (DC) and Tilt-Wash II (TW) Interior Grilles - Colonial / 3/4" Wood

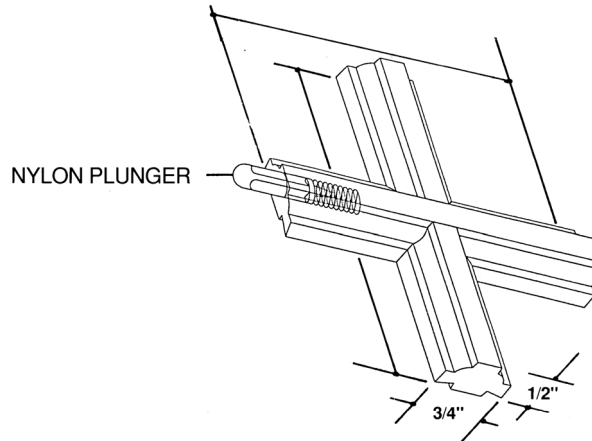
Unit No.	Dimensions (w x h)	Lite Pattern	Color/Species				
			Exterior				
			White	Terratone®	Sandtone	Forest Green	
			Maple Interior				
18	TW18-210	15 7/32 × 14 7/32	+	1603001	2703043	1103680	0312501
	TW18-32	15 7/32 × 16 7/32		1603002	2703044	1103681	0312502
	TW18-36	15 7/32 × 18 7/32		1603083	2706103	1102703	0312583
	TW18-310	15 7/32 × 20 7/32		1603003	2703045	1103682	0312503
	TW18-42	15 7/32 × 22 7/32		1603004	2703046	1103683	0312504
	TW18-46	15 7/32 × 24 7/32		1603005	2703047	1103684	0312505
	TW18-410	15 7/32 × 26 7/32	+	1603084	2706104	1102704	0312584
	TW18-52	15 7/32 × 28 7/32		1603006	2703048	1103685	0312506
	TW18-56E	15 7/32 × 30 7/32		OBD	OBD	OBD	OBD
	TW18-510	15 7/32 × 32 7/32		1603085	2706105	1102705	0312585
	TW18-62	15 7/32 × 34 7/32		1603008	2703050	1103687	0312508
	TW18-56C	15 7/32 × 36 7/32		1603007	2703049	1103686	0312507

## Grilles / Colonial

### Interior Grille with Plungers - Colonial / 3/4" Wood Interior w/plungers (1992 - 5/2010)

**Note:**

All grilles other than 56C can be used on upper and lower sash. Grilles to be used on sash with grommets. See iQ+ for additional detail.



### Tilt-Wash (DC) and Tilt-Wash II (TW) Interior Grilles - Colonial / 3/4" Wood

Unit No.	Dimensions (w x h)	Lite Pattern	Color/Species				
			Exterior				
			White	Terratone®	Sandtone	Forest Green	
			Maple Interior				
20	TW20-210	19 7/32 × 14 7/32		1603009	2703051	1103688	0312509
	TW20-32	19 7/32 × 16 7/32		1603010	2703052	1103689	0312510
	TW20-36	19 7/32 × 18 7/32		1603086	2706106	1102706	0312586
	TW20-310	19 7/32 × 20 7/32		1603011	2703053	1103690	0312511
	TW20-42	19 7/32 × 22 7/32		1603012	2703054	1103691	0312512
	TW20-46	19 7/32 × 24 7/32		1603013	2703055	1103692	0312513
	TW20-410	19 7/32 × 26 7/32		1603087	2706107	1102707	0312587
	TW20-52	19 7/32 × 28 7/32		1603014	2703056	1103693	0312514
	TW20-56E	19 7/32 × 30 7/32		1603292	OBD	OBD	0312642
	TW20-510	19 7/32 × 32 7/32		1603116	2706136	1102736	0312616
	TW20-62	19 7/32 × 34 7/32		1603016	2703058	1103695	0312516
	TW20-56C	19 7/32 × 36 7/32		1603015	2703057	1103694	0312515

# 400 Series Tilt-Wash (TW) Windows (1992 to Present)

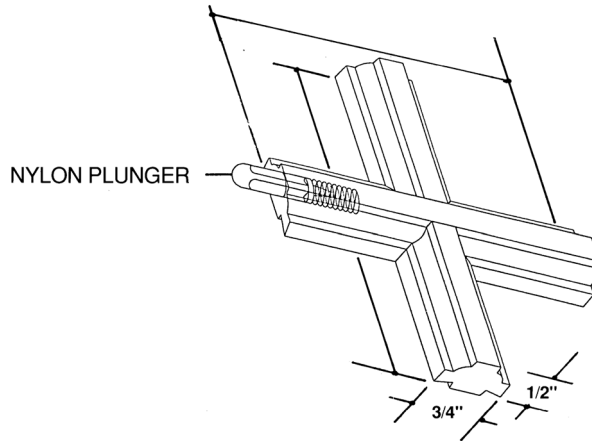
Standard Windows

## Grilles / Colonial

### Interior Grille with Plungers - Colonial / 3/4" Wood Interior w/plungers (1992 - 5/2010)

**Note:**

All grilles other than 56C can be used on upper and lower sash. Grilles to be used on sash with grommets. See iQ+ for additional detail.



### Tilt-Wash (DC) and Tilt-Wash II (TW) Interior Grilles - Colonial / 3/4" Wood

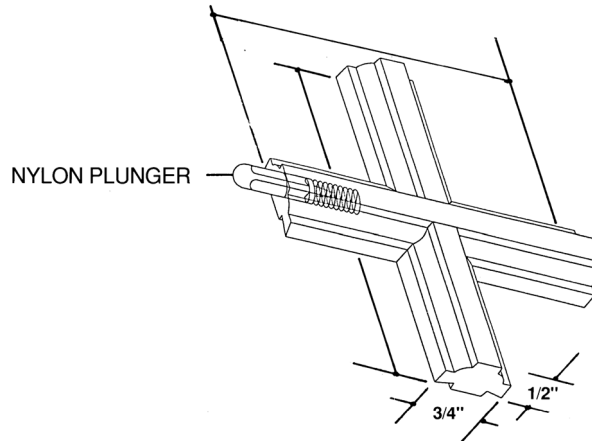
				Color/Species			
				Exterior			
				White	Terratone®	Sandtone	Forest Green
				Maple Interior			
Unit No.	Dimensions (w x h)	Lite Pattern					
<b>24</b>	<b>TW24-210</b>	$23 \frac{7}{32} \times 14 \frac{7}{32}$		1603017	2703059	1103696	0312517
	<b>TW24-32</b>	$23 \frac{7}{32} \times 16 \frac{7}{32}$		1603018	2703060	1103697	0312518
	<b>TW24-36</b>	$23 \frac{7}{32} \times 18 \frac{7}{32}$		1603088	2706108	1102708	0312588
	<b>TW24-310</b>	$23 \frac{7}{32} \times 20 \frac{7}{32}$		1603019	2703061	1103698	0312519
	<b>TW24-42</b>	$23 \frac{7}{32} \times 22 \frac{7}{32}$		1603020	2703062	1103699	0312520
	<b>TW24-46</b>	$23 \frac{7}{32} \times 24 \frac{7}{32}$		1603021	2703063	1103701	0312521
	<b>TW24-410</b>	$23 \frac{7}{32} \times 26 \frac{7}{32}$		1603089	2706109	1102709	0312589
	<b>TW24-52</b>	$23 \frac{7}{32} \times 28 \frac{7}{32}$		1603022	2703064	1103702	0312522
	<b>TW24-56E</b>	$23 \frac{7}{32} \times 30 \frac{7}{32}$		1603293	2706147	1102747	0312643
	<b>TW24-510</b>	$23 \frac{7}{32} \times 32 \frac{7}{32}$		1603117	2706137	1102737	0312617
	<b>TW24-62</b>	$23 \frac{7}{32} \times 34 \frac{7}{32}$		1603024	2703066	1103704	0312524
	<b>TW24-56C</b>	$23 \frac{7}{32} \times 36 \frac{7}{32}$		1603023	2703065	1103703	0312523

## Grilles / Colonial

### Interior Grille with Plungers - Colonial / 3/4" Wood Interior w/plungers (1992 - 5/2010)

**Note:**

All grilles other than 56C can be used on upper and lower sash. Grilles to be used on sash with grommets. See iQ+ for additional detail.



### Tilt-Wash (DC) and Tilt-Wash II (TW) Interior Grilles - Colonial / 3/4" Wood

Unit No.	Dimensions (w x h)	Lite Pattern	Color/Species				
			Exterior				
			White	Terratone®	Sandtone	Forest Green	
			Maple Interior				
26	TW26-210	25 7/32 × 14 7/32	+	1603090	2706110	1102710	0312590
	TW26-32	25 7/32 × 16 7/32		1603091	2706111	1102711	0312591
	TW26-36	25 7/32 × 18 7/32		1603092	2706112	1102712	0312592
	TW26-310	25 7/32 × 20 7/32		1603093	2706113	1102713	0312593
	TW26-42	25 7/32 × 22 7/32		1603094	2706114	1102714	0312594
	TW26-46	25 7/32 × 24 7/32		1603095	2706115	1102715	0312595
	TW26-410	25 7/32 × 26 7/32	+	1603096	2706116	1102716	0312596
	TW26-52	25 7/32 × 28 7/32		1603097	2706117	1102717	0312597
	TW26-56E	25 7/32 × 30 7/32		1603294	2706138	1102738	0312644
	TW26-510	25 7/32 × 32 7/32		1603119	2706139	1102739	0312619
	TW26-62	25 7/32 × 34 7/32		1603120	2706140	1102740	0312620
	TW26-56C	25 7/32 × 36 7/32		1603118	2706149	1102749	0312618

# 400 Series Tilt-Wash (TW) Windows (1992 to Present)

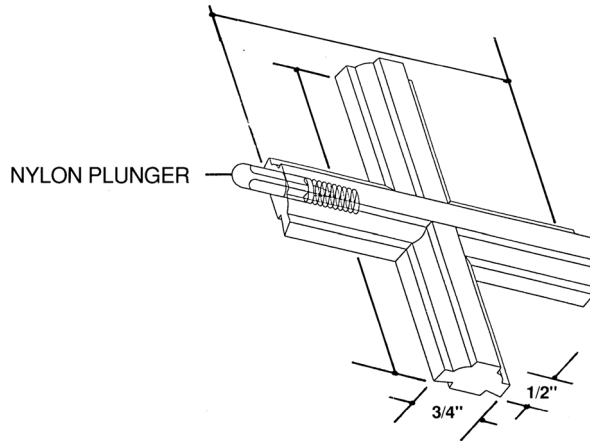
Standard Windows

## Grilles / Colonial

### Interior Grille with Plungers - Colonial / 3/4" Wood Interior w/plungers (1992 - 5/2010)

**Note:**

All grilles other than 56C can be used on upper and lower sash. Grilles to be used on sash with grommets. See iQ+ for additional detail.



**Tilt-Wash (DC) and Tilt-Wash II (TW) Interior Grilles - Colonial / 3/4" Wood**

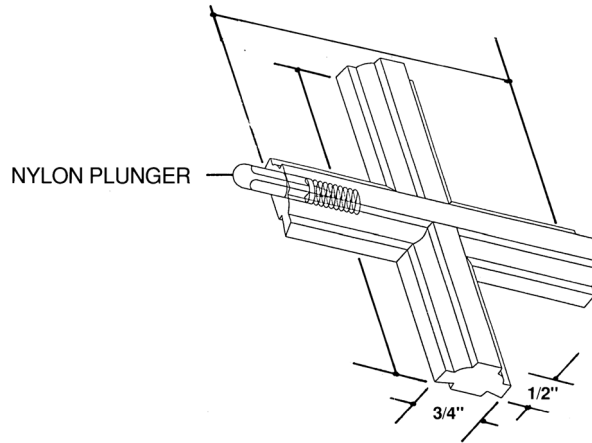
				Color/Species			
				Exterior			
				White	Terratone®	Sandtone	Forest Green
				Maple Interior			
Unit No.	Dimensions (w x h)	Lite Pattern					
<b>28</b>	<b>TW28-210</b>	$27 \frac{7}{32} \times 14 \frac{7}{32}$		1603025	2703067	1103705	0312525
	<b>TW28-32</b>	$27 \frac{7}{32} \times 16 \frac{7}{32}$		1603026	2703068	1103706	0312526
	<b>TW28-36</b>	$27 \frac{7}{32} \times 18 \frac{7}{32}$		1603098	2706118	1102718	0312598
	<b>TW28-310</b>	$27 \frac{7}{32} \times 20 \frac{7}{32}$		1603027	2703069	1103707	0312527
	<b>TW28-42</b>	$27 \frac{7}{32} \times 22 \frac{7}{32}$		1603028	2703070	1103708	0312528
	<b>TW28-46</b>	$27 \frac{7}{32} \times 24 \frac{7}{32}$		1603029	2703071	1103709	0312529
	<b>TW28-410</b>	$27 \frac{7}{32} \times 26 \frac{7}{32}$		1603099	2706119	1102719	0312599
	<b>TW28-52</b>	$27 \frac{7}{32} \times 28 \frac{7}{32}$		1603030	2703072	1103710	0312530
	<b>TW28-56E</b>	$27 \frac{7}{32} \times 30 \frac{7}{32}$		1603295	2706150	1102750	0312645
	<b>TW28-510</b>	$27 \frac{7}{32} \times 32 \frac{7}{32}$		1603121	2706141	1102741	0312621
	<b>TW28-62</b>	$27 \frac{7}{32} \times 34 \frac{7}{32}$		1603032	2703074	1103712	0312532
	<b>TW28-56C</b>	$27 \frac{7}{32} \times 36 \frac{7}{32}$		1603031	2703073	1103711	0312531

## Grilles / Colonial

### Interior Grille with Plungers - Colonial / 3/4" Wood Interior w/plungers (1992 - 5/2010)

**Note:**

All grilles other than 56C can be used on upper and lower sash. Grilles to be used on sash with grommets. See iQ+ for additional detail.



### Tilt-Wash (DC) and Tilt-Wash II (TW) Interior Grilles - Colonial / 3/4" Wood

Unit No.	Dimensions (w x h)	Lite Pattern	Color/Species				
			Exterior				
			White	Terratone®	Sandtone	Forest Green	
			Maple Interior				
210	TW210-210	29 7/32 × 14 7/32	+	1603101	2706121	1102721	0312601
	TW210-32	29 7/32 × 16 7/32		1603102	2706122	1102722	0312602
	TW210-36	29 7/32 × 18 7/32		1603103	2706123	1102723	0312603
	TW210-310	29 7/32 × 20 7/32		1603105	2706125	1102725	0312605
	TW210-42	29 7/32 × 22 7/32		1603106	2706126	1102726	0312606
	TW210-46	29 7/32 × 24 7/32		1603107	2706127	1102727	0312607
	TW210-410	29 7/32 × 26 7/32	+	1603108	2706128	1102728	0312608
	TW210-52	29 7/32 × 28 7/32		1603109	2706129	1102729	0312609
	TW210-56E	29 7/32 × 30 7/32		1603296	2706142	1102742	0312646
	TW210-510	29 7/32 × 32 7/32		1603123	2706143	1102743	0312623
	TW210-62	29 7/32 × 34 7/32		1603124	2706144	1102744	0312624
	TW210-56C	29 7/32 × 36 7/32		1603122	2706151	1102751	0312622

# 400 Series Tilt-Wash (TW) Windows (1992 to Present)

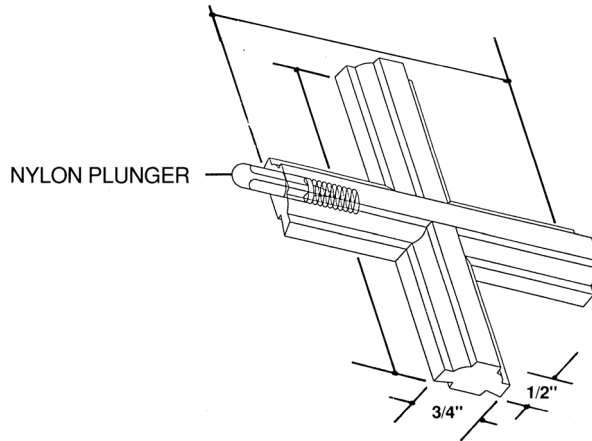
Standard Windows

## Grilles / Colonial

### Interior Grille with Plungers - Colonial / 3/4" Wood Interior w/plungers (1992 - 5/2010)

**Note:**

All grilles other than 56C can be used on upper and lower sash. Grilles to be used on sash with grommets. See iQ+ for additional detail.



**Tilt-Wash (DC) and Tilt-Wash II (TW) Interior Grilles - Colonial / 3/4" Wood**

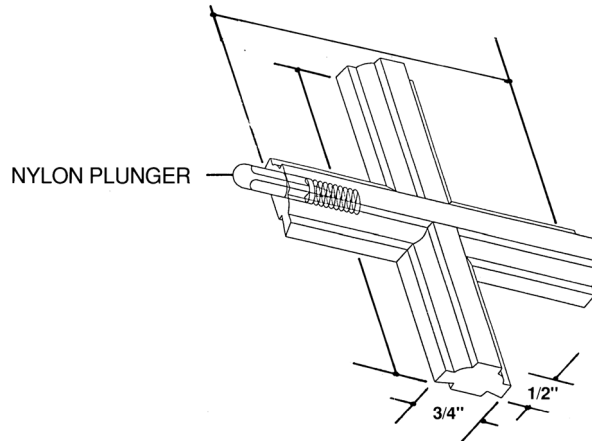
			Color/Species				
			Exterior				
			White	Terratone®	Sandtone	Forest Green	
			Maple Interior				
Unit No.	Dimensions (w x h)	Lite Pattern					
<b>30</b>	<b>TW30-210</b>	$31 \frac{7}{32} \times 14 \frac{7}{32}$		1603033	2703075	1103713	0312533
	<b>TW30-32</b>	$31 \frac{7}{32} \times 16 \frac{7}{32}$		1603034	2703076	1103714	0312534
	<b>TW30-36</b>	$31 \frac{7}{32} \times 18 \frac{7}{32}$		1603110	2706130	1102730	0312610
	<b>TW30-310</b>	$31 \frac{7}{32} \times 20 \frac{7}{32}$		1603035	2703077	1103715	0312535
	<b>TW30-42</b>	$31 \frac{7}{32} \times 22 \frac{7}{32}$		1603036	2703078	1103716	0312536
	<b>TW30-46</b>	$31 \frac{7}{32} \times 24 \frac{7}{32}$		1603037	2703079	1103717	0312537
	<b>TW30-410</b>	$31 \frac{7}{32} \times 26 \frac{7}{32}$		1603111	2706131	1102731	0312611
	<b>TW30-52</b>	$31 \frac{7}{32} \times 28 \frac{7}{32}$		1603038	2703080	1103718	0312538
	<b>TW30-56E</b>	$31 \frac{7}{32} \times 30 \frac{7}{32}$		OBD	OBD	OBD	OBD
	<b>TW30-510</b>	$31 \frac{7}{32} \times 32 \frac{7}{32}$		1603125	2706148	1102748	0312625
	<b>TW30-62</b>	$31 \frac{7}{32} \times 34 \frac{7}{32}$		1603040	2703082	1103720	0312540
	<b>TW30-56C</b>	$31 \frac{7}{32} \times 36 \frac{7}{32}$		1603039	2703081	1103719	0312539

## Grilles / Colonial

### Interior Grille with Plungers - Colonial / 3/4" Wood Interior w/plungers (1992 - 5/2010)

**Note:**

All grilles other than 56C can be used on upper and lower sash. Grilles to be used on sash with grommets. See iQ+ for additional detail.



### Tilt-Wash (DC) and Tilt-Wash II (TW) Interior Grilles - Colonial / 3/4" Wood

Unit No.	Dimensions (w x h)	Lite Pattern	Color/Species					
			Exterior					
			White	Terratone®	Sandtone	Forest Green		
			Maple Interior					
34	TW34-210	35 7/32 × 14 7/32		1603041	2703083	1103721	0312541	
	TW34-32	35 7/32 × 16 7/32		1603042	2703084	1103722	0312542	
	TW34-36	35 7/32 × 18 7/32		1603112	2706132	1102732	0312612	
	TW34-310	35 7/32 × 20 7/32		1603043	2703085	1103723	0312543	
	TW34-42	35 7/32 × 22 7/32		1603044	2703086	1103724	0312544	
	TW34-46	35 7/32 × 24 7/32		1603045	2703087	1103725	0312545	
	TW34-410	35 7/32 × 26 7/32		1603113	2706133	1102733	0312613	
	TW34-52	35 7/32 × 28 7/32		1603046	2703088	1103726	0312546	
	TW34-56E	35 7/32 × 30 7/32		OBD	OBD	OBD	OBD	
	TW34-510	35 7/32 × 32 7/32			1603126	2706152	1102752	0312626
	TW34-62	35 7/32 × 34 7/32			1603048	2703090	1103728	0312548
	TW34-56C	35 7/32 × 36 7/32			1603047	2703089	1103727	0312547



# 400 Series Tilt-Wash (TW) Windows (1992 to Present)

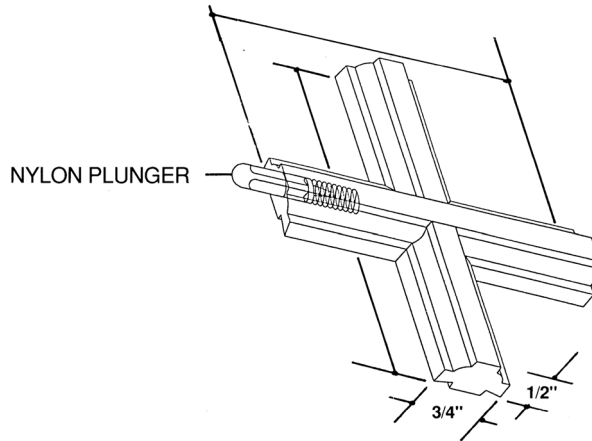
Standard Windows

## Grilles / Colonial

### Interior Grille with Plungers - Colonial / 3/4" Wood Interior w/plungers (1992 - 5/2010)

**Note:**

All grilles other than 56C can be used on upper and lower sash. Grilles to be used on sash with grommets. See iQ+ for additional detail.



**Tilt-Wash (DC) and Tilt-Wash II (TW) Interior Grilles - Colonial / 3/4" Wood**

				Color/Species			
				Exterior			
			White	Terratone®	Sandtone	Forest Green	
			Maple Interior				
Unit No.	Dimensions (w x h)	Lite Pattern					
<b>38</b>	<b>TW38-210</b>	39 <sup>7</sup> / <sub>32</sub> × 14 <sup>7</sup> / <sub>32</sub>		1603049	2703091	1103729	0312549
	<b>TW38-32</b>	39 <sup>7</sup> / <sub>32</sub> × 16 <sup>7</sup> / <sub>32</sub>		1603050	2703092	1103730	0312550
	<b>TW38-36</b>	39 <sup>7</sup> / <sub>32</sub> × 18 <sup>7</sup> / <sub>32</sub>		1603114	2706134	1102734	0312614
	<b>TW38-310</b>	39 <sup>7</sup> / <sub>32</sub> × 20 <sup>7</sup> / <sub>32</sub>		1603051	2703093	1103731	0312551
	<b>TW38-42</b>	39 <sup>7</sup> / <sub>32</sub> × 22 <sup>7</sup> / <sub>32</sub>		1603052	2703094	1103732	0312552
	<b>TW38-46</b>	39 <sup>7</sup> / <sub>32</sub> × 24 <sup>7</sup> / <sub>32</sub>		1603053	2703095	1103733	0312553
	<b>TW38-410</b>	39 <sup>7</sup> / <sub>32</sub> × 26 <sup>7</sup> / <sub>32</sub>	1603115	2706135	1102735	0312615	
	<b>TW38-52</b>	39 <sup>7</sup> / <sub>32</sub> × 28 <sup>7</sup> / <sub>32</sub>	1603054	2703096	OBD	0312554	
	<b>TW38-56E</b>	39 <sup>7</sup> / <sub>32</sub> × 30 <sup>7</sup> / <sub>32</sub>	OBD	OBD	OBD	OBD	
	<b>TW38-510</b>	39 <sup>7</sup> / <sub>32</sub> × 32 <sup>7</sup> / <sub>32</sub>		1603127	2706153	OBD	0312627
	<b>TW38-62</b>	39 <sup>7</sup> / <sub>32</sub> × 34 <sup>7</sup> / <sub>32</sub>		1603056	2703098	OBD	0312556
	<b>TW38-56C</b>	39 <sup>7</sup> / <sub>32</sub> × 36 <sup>7</sup> / <sub>32</sub>		1603055	2703097	OBD	0312555

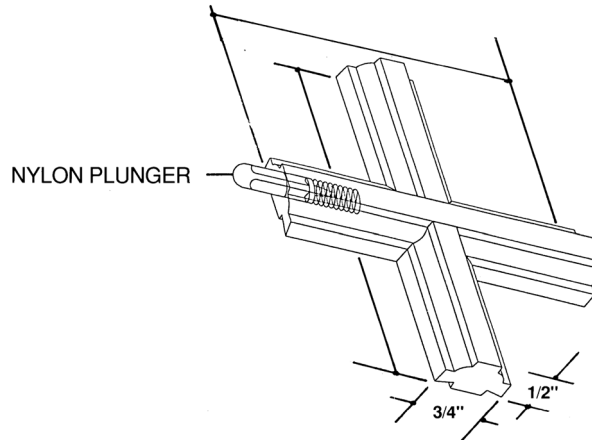
## Grilles / Colonial

### Upper / Lower / Wood Prefinished Interior w/plungers (1992 - 5/2010)

#### Interior Grille with Plungers - Colonial / 3/4" Wood Prefinished Interior (1992 - 5/2010)

**Note:**

All grilles other than 56C for use on **upper** and **lower** sash. Grilles to be used on sash with grommets. See iQ+ and drawing 45037 for additional detail.



#### Tilt-Wash (DC) and Tilt-Wash II (TW) Interior Grilles - Colonial / 3/4" Wood

Unit No.	Dimensions (w x h)	Lite Pattern	Color/Species				
			Exterior				
			White	Terratone®	Sandtone	Forest Green	
				Interior			
				White	Terratone®	Sandtone	Forest Green
18	TW18-210	15 7/32 × 14 7/32	+	1603901	2703143	1103753	OBD
	TW18-32	15 7/32 × 16 7/32		1603902	2703144	1103754	OBD
	TW18-36	15 7/32 × 18 7/32		1604933	2707903	1102803	OBD
	TW18-310	15 7/32 × 20 7/32		1603903	2703145	1103755	OBD
	TW18-42	15 7/32 × 22 7/32		1603904	2703146	1103756	OBD
	TW18-46	15 7/32 × 24 7/32		1603905	2703147	1103757	OBD
	TW18-410	15 7/32 × 26 7/32	+	1604934	2707904	1102804	OBD
	TW18-52	15 7/32 × 28 7/32		1603906	2703148	1103758	OBD
	TW18-56E	15 7/32 × 30 7/32		OBD	OBD	OBD	OBD
	TW18-510	15 7/32 × 32 7/32		1604935	2707905	1102805	OBD
	TW18-62	15 7/32 × 34 7/32		1603908	2703150	1103760	OBD
	TW18-56C	15 7/32 × 36 7/32		+	1603907	2703149	1103759

# 400 Series Tilt-Wash (TW) Windows (1992 to Present)

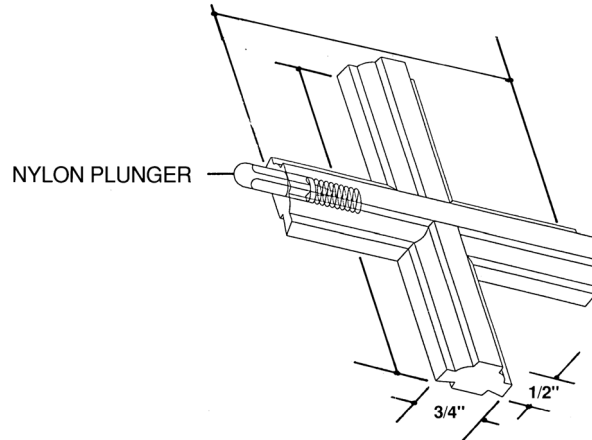
Standard Windows

## Grilles / Colonial

### Interior Grille with Plungers - Colonial / 3/4" Wood Prefinished Interior (1992 - 5/2010)

**Note:**

All grilles other than 56C for use on **upper** and **lower** sash. Grilles to be used on sash with grommets. See iQ+ and drawing 45037 for additional detail.



### Tilt-Wash (DC) and Tilt-Wash II (TW) Interior Grilles - Colonial / 3/4" Wood

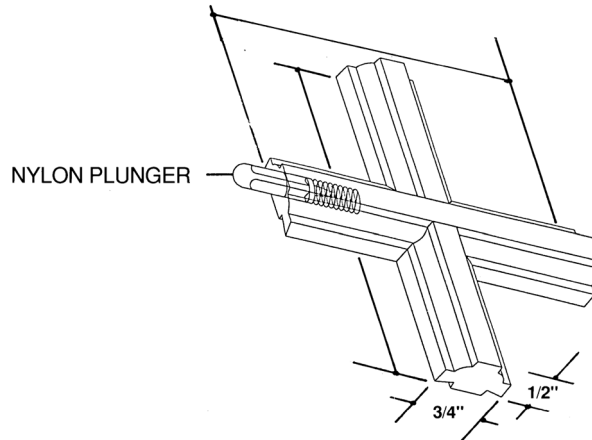
Unit No.		Dimensions (w x h)		Lite Pattern		Color/Species			
						Exterior			
						White	Terratone®	Sandtone	Forest Green
Unit No.		Dimensions (w x h)		Lite Pattern		Interior			
						White	Terratone®	Sandtone	Forest Green
<b>20</b>	TW20-210	19 7/32	14 7/32	+	1603909	2703151	1103761	OBD	
	TW20-32	19 7/32	16 7/32		1603910	2703152	1103762	OBD	
	TW20-36	19 7/32	18 7/32		1604936	2707906	1102806	OBD	
	TW20-310	19 7/32	20 7/32		1603911	2703153	1103763	OBD	
	TW20-42	19 7/32	22 7/32		1603912	2703154	1103764	OBD	
	TW20-46	19 7/32	24 7/32		1603913	2703155	1103765	OBD	
	TW20-410	19 7/32	26 7/32	1604937	2707907	1102807	OBD		
	TW20-52	19 7/32	28 7/32	1603914	2703156	1103766	OBD		
	TW20-56E	19 7/32	30 7/32	1603495	OBD	OBD	OBD		
	TW20-510	19 7/32	32 7/32	1604964	2707936	1102836	OBD		
	TW20-62	19 7/32	34 7/32	1603916	2703158	1103768	OBD		
	TW20-56C	19 7/32	36 7/32	1603915	2703157	1103767	OBD		

## Grilles / Colonial

### Interior Grille with Plungers - Colonial / 3/4" Wood Prefinished Interior (1992 - 5/2010)

**Note:**

All grilles other than 56C for use on **upper** and **lower** sash. Grilles to be used on sash with grommets. See iQ+ and drawing 45037 for additional detail.



### Tilt-Wash (DC) and Tilt-Wash II (TW) Interior Grilles - Colonial / 3/4" Wood

Unit No.	Dimensions (w x h)	Lite Pattern	Color/Species				
			Exterior				
			White	Terratone®	Sandtone	Forest Green	
Interior							
White	Terratone®	Sandtone	Forest Green				
<b>24</b>	TW24-210	23 7/32 × 14 7/32	+	1603917	2703159	1103769	OBD
	TW24-32	23 7/32 × 16 7/32		1603918	2703160	1103770	OBD
	TW24-36	23 7/32 × 18 7/32		1604938	2707908	1102808	OBD
	TW24-310	23 7/32 × 20 7/32		1603919	2703161	1103771	OBD
	TW24-42	23 7/32 × 22 7/32		1603920	2703162	1103772	OBD
	TW24-46	23 7/32 × 24 7/32		1603921	2703163	1103773	OBD
	TW24-410	23 7/32 × 26 7/32	+	1604939	2707909	1102809	OBD
	TW24-52	23 7/32 × 28 7/32		1603922	2703164	1103774	OBD
	TW24-56E	23 7/32 × 30 7/32		1603496	2707947	1102847	OBD
	TW24-510	23 7/32 × 32 7/32		1604965	2707937	1102837	OBD
	TW24-62	23 7/32 × 34 7/32		1603924	2703166	1103776	OBD
	TW24-56C	23 7/32 × 36 7/32		1603923	2703165	1103775	OBD

# 400 Series Tilt-Wash (TW) Windows (1992 to Present)

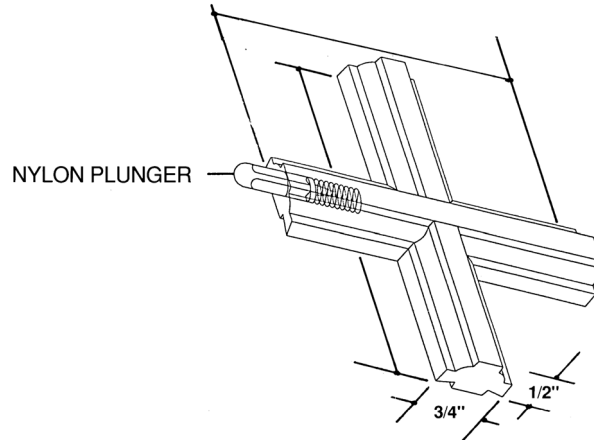
Standard Windows

## Grilles / Colonial

### Interior Grille with Plungers - Colonial / 3/4" Wood Prefinished Interior (1992 - 5/2010)

**Note:**

All grilles other than 56C for use on **upper** and **lower** sash. Grilles to be used on sash with grommets. See iQ+ and drawing 45037 for additional detail.



### Tilt-Wash (DC) and Tilt-Wash II (TW) Interior Grilles - Colonial / 3/4" Wood

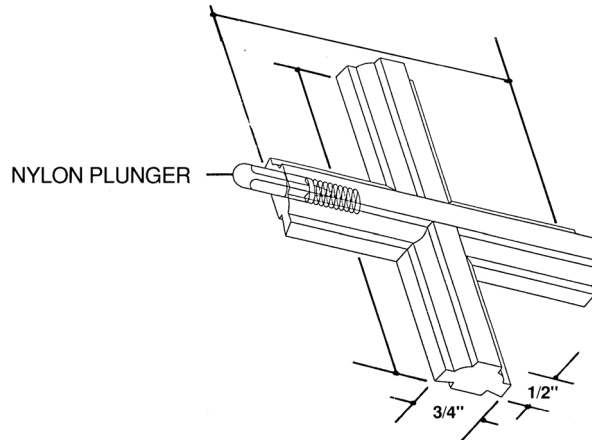
Unit No.	Dimensions (w x h)	Lite Pattern	Color/Species				
			Exterior				
			White	Terratone®	Sandtone	Forest Green	
Interior							
White	Terratone®	Sandtone	Forest Green				
26	TW26-210	25 7/32 × 14 7/32	+	1604940	2707910	1102810	OBD
	TW26-32	25 7/32 × 16 7/32		1604941	2707911	1102811	OBD
	TW26-36	25 7/32 × 18 7/32		1604942	2707912	1102812	OBD
	TW26-310	25 7/32 × 20 7/32		1604943	2707913	1102813	OBD
	TW26-42	25 7/32 × 22 7/32		1604944	2707914	1102814	OBD
	TW26-46	25 7/32 × 24 7/32		1604945	2707915	1102815	OBD
	TW26-410	25 7/32 × 26 7/32	+	1604946	2707916	1102816	OBD
	TW26-52	25 7/32 × 28 7/32		1604947	2707917	1102817	OBD
	TW26-56E	25 7/32 × 30 7/32		1603497	2707938	1102838	OBD
	TW26-510	25 7/32 × 32 7/32		1604967	2707939	1102839	OBD
	TW26-62	25 7/32 × 34 7/32		1604968	2707940	1102840	OBD
	TW26-56C	25 7/32 × 36 7/32		1604966	2707949	1102849	OBD

## Grilles / Colonial

### Interior Grille with Plungers - Colonial / 3/4" Wood Prefinished Interior (1992 - 5/2010)

**Note:**

All grilles other than 56C for use on **upper** and **lower** sash. Grilles to be used on sash with grommets. See iQ+ and drawing 45037 for additional detail.



### Tilt-Wash (DC) and Tilt-Wash II (TW) Interior Grilles - Colonial / 3/4" Wood

Unit No.	Dimensions (w x h)	Lite Pattern	Color/Species				
			Exterior				
			White	Terratone®	Sandtone	Forest Green	
Interior							
			White	Terratone®	Sandtone	Forest Green	
28	TW28-210	27 7/32 × 14 7/32	+	1603925	2703167	1103777	OBD
	TW28-32	27 7/32 × 16 7/32		1603926	2703168	1103778	OBD
	TW28-36	27 7/32 × 18 7/32		1604948	2707918	1102818	OBD
	TW28-310	27 7/32 × 20 7/32		1603927	2703169	1103779	OBD
	TW28-42	27 7/32 × 22 7/32		1603928	2703170	1103780	OBD
	TW28-46	27 7/32 × 24 7/32		1603929	2703171	1103781	OBD
	TW28-410	27 7/32 × 26 7/32	+	1604949	2707919	1102819	OBD
	TW28-52	27 7/32 × 28 7/32		1603930	2703172	1103782	OBD
	TW28-56E	27 7/32 × 30 7/32		1603498	2707950	1102850	OBD
	TW28-510	27 7/32 × 32 7/32		1604969	2707941	1102841	OBD
	TW28-62	27 7/32 × 34 7/32		1603932	2703174	1103784	OBD
	TW28-56C	27 7/32 × 36 7/32		1603931	2703173	1103783	OBD

# 400 Series Tilt-Wash (TW) Windows (1992 to Present)

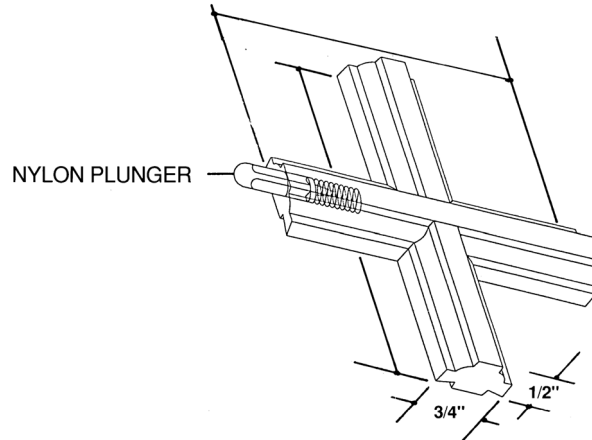
Standard Windows

## Grilles / Colonial

### Interior Grille with Plungers - Colonial / 3/4" Wood Prefinished Interior (1992 - 5/2010)

**Note:**

All grilles other than 56C for use on **upper** and **lower** sash. Grilles to be used on sash with grommets. See iQ+ and drawing 45037 for additional detail.



### Tilt-Wash (DC) and Tilt-Wash II (TW) Interior Grilles - Colonial / 3/4" Wood

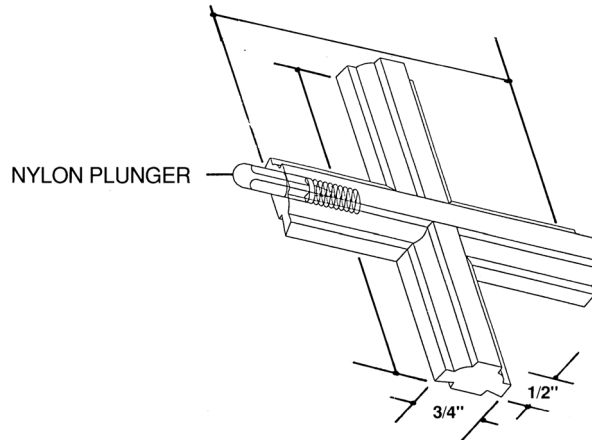
Unit No.	Dimensions (w x h)	Lite Pattern	Color/Species				
			Exterior				
			White	Terratone®	Sandtone	Forest Green	
Interior							
White	Terratone®	Sandtone	Forest Green				
<b>210</b>	TW210-210	29 7/32 × 14 7/32	+	1604950	2707921	1102821	OBD
	TW210-32	29 7/32 × 16 7/32		1604951	2707922	1102822	OBD
	TW210-36	29 7/32 × 18 7/32		1604952	2707923	1102823	OBD
	TW210-310	29 7/32 × 20 7/32		1604953	2707925	1102825	OBD
	TW210-42	29 7/32 × 22 7/32		1604954	2707926	1102826	OBD
	TW210-46	29 7/32 × 24 7/32		1604955	2707927	1102827	OBD
	TW210-410	29 7/32 × 26 7/32	+	1604956	2707928	1102828	OBD
	TW210-52	29 7/32 × 28 7/32		1604957	2707929	1102829	OBD
	TW210-56E	29 7/32 × 30 7/32		1603499	2707942	1102842	OBD
	TW210-510	29 7/32 × 32 7/32		1604971	2707943	1102843	OBD
	TW210-62	29 7/32 × 34 7/32		1604972	2707944	1102844	OBD
	TW210-56C	29 7/32 × 36 7/32		1604970	2707951	1102851	OBD

## Grilles / Colonial

### Interior Grille with Plungers - Colonial / 3/4" Wood Prefinished Interior (1992 - 5/2010)

**Note:**

All grilles other than 56C for use on **upper** and **lower** sash. Grilles to be used on sash with grommets. See iQ+ and drawing 45037 for additional detail.



### Tilt-Wash (DC) and Tilt-Wash II (TW) Interior Grilles - Colonial / 3/4" Wood

Unit No.	Dimensions (w x h)	Lite Pattern	Color/Species				
			Exterior				
			White	Terratone®	Sandtone	Forest Green	
Interior							
White	Terratone®	Sandtone	Forest Green				
30	TW30-210	31 7/32 × 14 7/32		1603933	2703175	1103785	OBD
	TW30-32	31 7/32 × 16 7/32		1603934	2703176	1103786	OBD
	TW30-36	31 7/32 × 18 7/32		1604958	2707930	1102830	OBD
	TW30-310	31 7/32 × 20 7/32		1603935	2703177	1103787	OBD
	TW30-42	31 7/32 × 22 7/32		1603936	2703178	1103788	OBD
	TW30-46	31 7/32 × 24 7/32		1603937	2703179	1103789	OBD
	TW30-410	31 7/32 × 26 7/32	1604959	2707931	1102831	OBD	
	TW30-52	31 7/32 × 28 7/32	1603938	2703180	1103790	OBD	
	TW30-56E	31 7/32 × 30 7/32		OBD	OBD	OBD	OBD
	TW30-510	31 7/32 × 32 7/32		1604973	2707948	1102848	OBD
	TW30-62	31 7/32 × 34 7/32		1603940	2703182	1103792	OBD
	TW30-56C	31 7/32 × 36 7/32		1603939	2703181	1103791	OBD



# 400 Series Tilt-Wash (TW) Windows (1992 to Present)

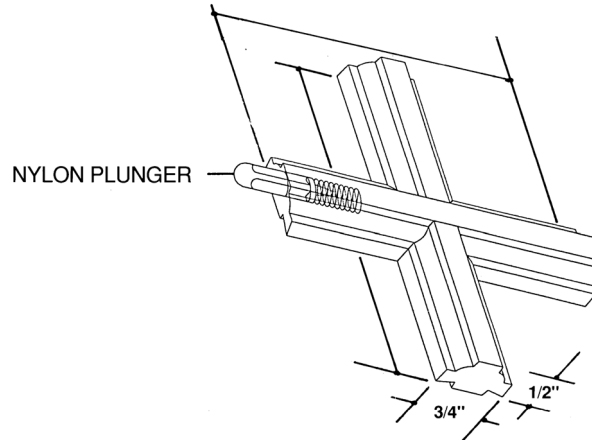
Standard Windows

## Grilles / Colonial

### Interior Grille with Plungers - Colonial / 3/4" Wood Prefinished Interior (1992 - 5/2010)

**Note:**

All grilles other than 56C for use on **upper** and **lower** sash. Grilles to be used on sash with grommets. See iQ+ and drawing 45037 for additional detail.



### Tilt-Wash (DC) and Tilt-Wash II (TW) Interior Grilles - Colonial / 3/4" Wood

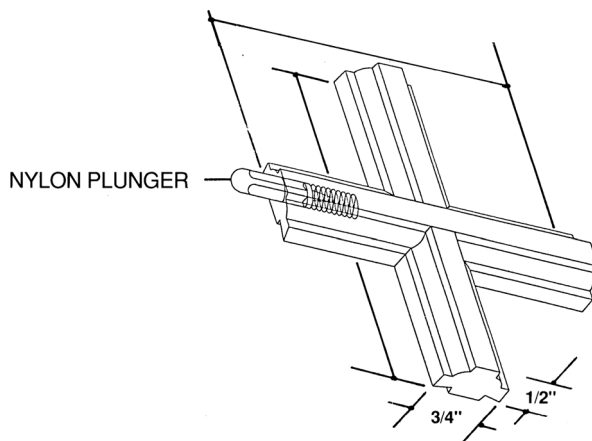
Unit No.	Dimensions (w x h)	Lite Pattern	Color/Species				
			Exterior				
			White	Terratone®	Sandtone	Forest Green	
				Interior			
				White	Terratone®	Sandtone	Forest Green
34	TW34-210	35 7/32 × 14 7/32		1603941	2703183	1103793	OBD
	TW34-32	35 7/32 × 16 7/32		1603942	2703184	1103794	OBD
	TW34-36	35 7/32 × 18 7/32		1604960	2707932	1102832	OBD
	TW34-310	35 7/32 × 20 7/32		1603943	2703185	1103795	OBD
	TW34-42	35 7/32 × 22 7/32		1603944	2703186	1103796	OBD
	TW34-46	35 7/32 × 24 7/32		1603945	2703187	1103797	OBD
	TW34-410	35 7/32 × 26 7/32		1604961	2707933	1102833	OBD
	TW34-52	35 7/32 × 28 7/32		1603946	2703188	1103798	OBD
	TW34-56E	35 7/32 × 30 7/32		OBD	OBD	OBD	OBD
	TW34-510	35 7/32 × 32 7/32		1604974	2707952	1102852	OBD
	TW34-62	35 7/32 × 34 7/32		1603948	2703190	1103801	OBD
	TW34-56C	35 7/32 × 36 7/32		1603947	2703189	1103799	OBD

## Grilles / Colonial

### Interior Grille with Plungers - Colonial / 3/4" Wood Prefinished Interior (1992 - 5/2010)

**Note:**

All grilles other than 56C for use on **upper** and **lower** sash. Grilles to be used on sash with grommets. See iQ+ and drawing 45037 for additional detail.



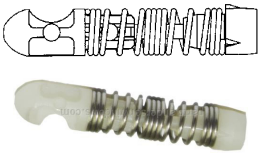


### Tilt-Wash (DC) and Tilt-Wash II (TW) Interior Grilles - Colonial / 3/4" Wood

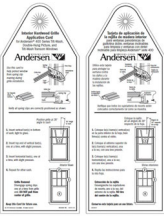
Unit No.	Dimensions (w x h)	Lite Pattern	Color/Species					
			Exterior					
			White	Terratone®	Sandtone	Forest Green		
				Interior				
				White	Terratone®	Sandtone	Forest Green	
38	TW38-210	39 7/32 × 14 7/32		1603949	2703191	1103802	OBD	
	TW38-32	39 7/32 × 16 7/32		1603950	2703192	1103803	OBD	
	TW38-36	39 7/32 × 18 7/32		1604962	2707934	1102834	OBD	
	TW38-310	39 7/32 × 20 7/32		1603951	2703193	1103804	OBD	
	TW38-42	39 7/32 × 22 7/32		1603952	2703194	1103805	OBD	
	TW38-46	39 7/32 × 24 7/32		1603953	2703195	1103806	OBD	
	TW38-410	39 7/32 × 26 7/32		1604963	2707935	1102835	OBD	
	TW38-52	39 7/32 × 28 7/32		1603954	2703196	1103807	OBD	
	TW38-56E	39 7/32 × 30 7/32			OBD	OBD	OBD	OBD
	TW38-510	39 7/32 × 32 7/32			1604975	2707953	1102853	OBD
	TW38-62	39 7/32 × 34 7/32			1603956	2703198	1103809	OBD
	TW38-56C	39 7/32 × 36 7/32			1603955	2703197	1103808	OBD

# 400 Series Tilt-Wash (TW) Windows (1992 to Present)

Standard Windows

## Grilles / Colonial

Interior Grille Parts			
Fastener - Grille Plunger			
		<b>Order No.</b>	
		1630038	
Fastener - Grille Plunger (Impact Resistant)			
	<b>Note:</b> Use for grilles applied to Stormwatch units manufactured after 9/20/09. Use for grilles applied to TW. DHP and TWT manufactured after 5/10/10.	<b>Order No.</b>	
		1344401	
Fastener - Grille (1985)			
	<b>Note:</b> Use this grille clip for all custom wood grilles.	<b>Color</b>	<b>Order No.</b>
		White	1974310
		Terratone®	2601210
		Sandtone	8154120
		Forest Green	9046244

Installation Guide/Aid		
<b>Note:</b> Grilles include fasteners. <a href="#">See Accessory Guide 9033637.</a>		
		<b>Order No.</b>
		9033637

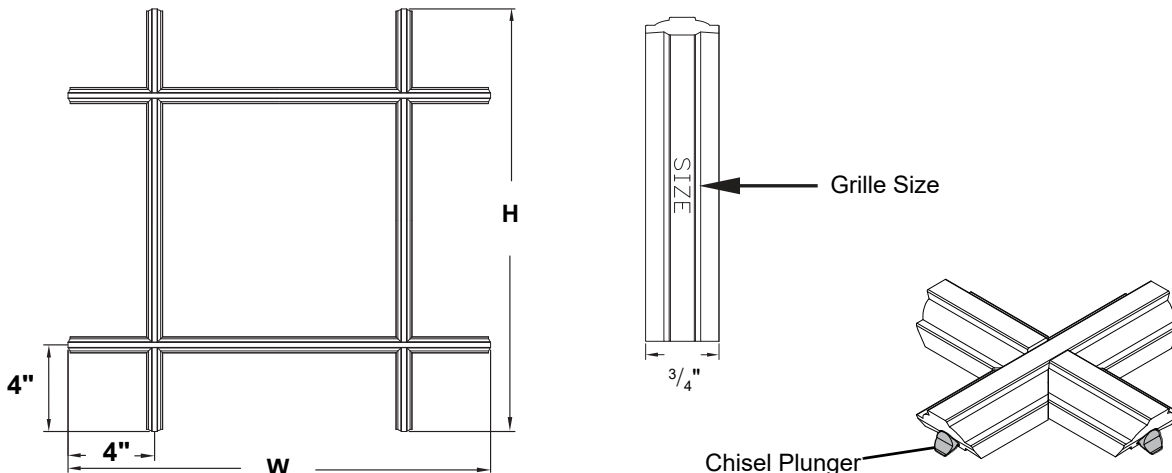
## Grilles / Prairie A

### Upper / Lower / Wood Interior w/chisel plungers (5/2010 - Present)

#### Interior Grille with Chisel Plungers - Prairie A / 3/4" Wood Interior (5/2010 - Present)

**Note:**

Size stamped on exterior on right leg as viewed from exterior. Grilles to be used as both upper grilles and lower grilles unless noted. Grilles to be used on sash with no grommets. Colors not shown available OBD. Conversion Kit grilles use "vintage" 310/46 sizes. See iQ+ for additional detail.



**Interior Grilles - 3/4" Prairie A with Chisel Plungers**

Unit No.	Dimensions (w x h)	Color/Finish							
		Exterior							
		White	Terra-tone®	Sandtone	Forest Green	Canvas	Dark Bronze	Black	
		Interior							
<b>18</b>	18-210	15 7/32 × 14 7/32	9023611	9023809	9023413	9023215	9047579	9072300	9127479
	18-32/310CU/310RL	15 7/32 × 16 7/32	9023613	9023811	9023415	9023217	9047581	9072302	9127481
	18-36/42CU/42RL	15 7/32 × 18 7/32	9023614	9023812	9023416	9023218	9047582	9072303	9127482
	18-310L (Lower) (9/2017 - Present)	15 7/32 × 19 23/32	9168219	9168178	9168128	9168119	OBD	OBD	OBD
	18-310/46CU/410CU/46RL/ 410RL	15 7/32 × 20 7/32	9023612	9023810	9023414	9023216	9047580	9072301	9127480
	18-310U (9/2017 - Present)	15 7/32 × 20 23/32	9168418	9168397	9168361	9168358	9168297	9168314	9168327
	18-42/52CU/52RL	15 7/32 × 22 7/32	9023616	9023814	9023418	9023220	9047584	9072305	9127484
	18-46 (Lower) (4/2017 - Present)	15 7/32 × 23 23/32	9163244	9163240	9163236	9163232	9163224	9163228	9163220
	18-46/56CU/310CL/310RU/56RL	15 7/32 × 24 7/32	9023617	9023815	9023419	9023221	9047585	9072306	9127485
	18-46U (Upper) (4/2017 - Present)	15 7/32 × 24 23/32	9152653	9152651	9152649	9152648	9152646	9152647	9152645
	18-410/62CU/42CL/42RU/62RL	15 7/32 × 26 7/32	9023615	9023813	9023417	9023219	9047583	9072304	9127483
	18-52/46CL/46RU	15 7/32 × 28 7/32	9023619	9023817	9023421	9023223	9047587	9072308	9127487
	18-510/410CL/410RU	15 7/32 × 32 7/32	9023618	9023816	9023420	9023222	9047586	9072307	9127486
	18-62/52CL/52RU	15 7/32 × 34 7/32	9023621	9023819	9023423	9023225	9047589	9072310	9127489
	18-56CL (Lower) (4/2017 - Present)	15 7/32 × 35 23/32	9163245	9163241	9163237	9163233	9163225	9163229	9163221
	18-56CL/56RU	15 7/32 × 36 7/32	9023620	9023818	9023422	9023224	9047588	9072309	9127488
18-56RCU (4/2017 - Present)	15 7/32 × 36 23/32	9163246	9163242	9163238	9163234	9163226	9163230	9163222	

# 400 Series Tilt-Wash (TW) Windows (1992 to Present)

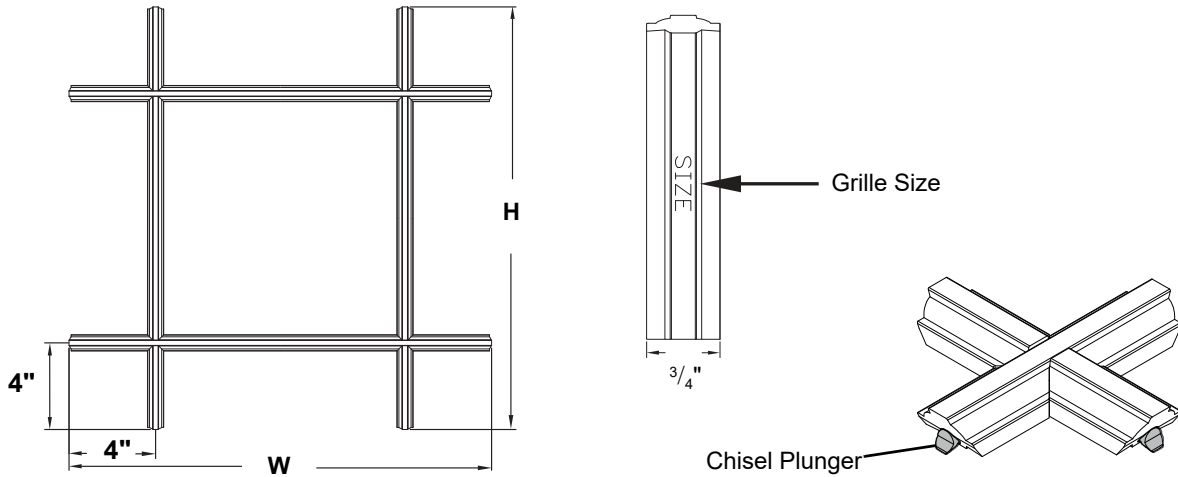
Standard Windows

## Grilles / Prairie A

### Interior Grille with Chisel Plungers - Prairie A / 3/4" Wood Interior (5/2010 - Present)

**Note:**

Size stamped on exterior on right leg as viewed from exterior. Grilles to be used as both upper grilles and lower grilles unless noted. Grilles to be used on sash with no grommets. Colors not shown available OBD. Conversion Kit grilles use "vintage" 310/46 sizes. See iQ+ for additional detail.



Interior Grilles - 3/4" Prairie A with Chisel Plungers

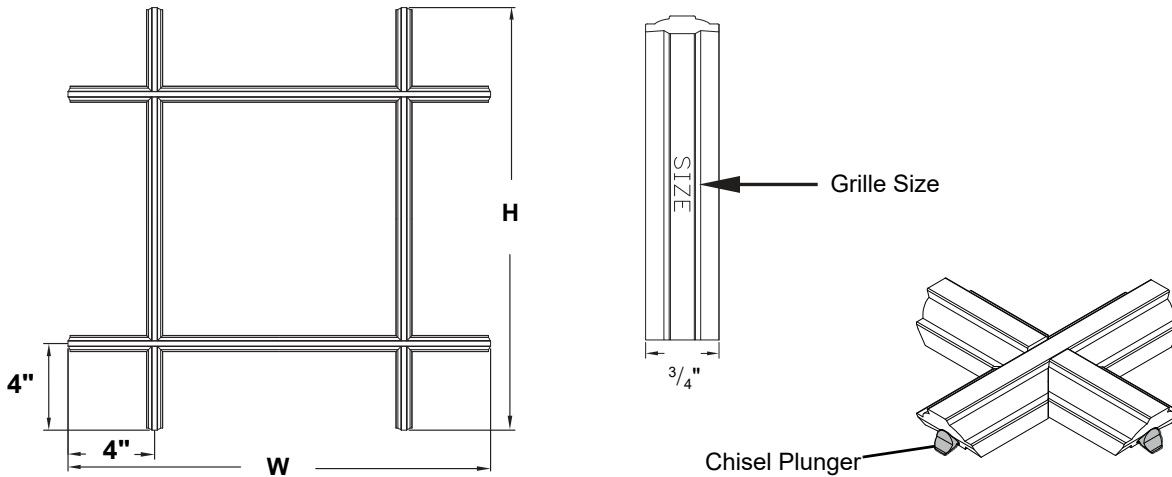
Unit No.	Dimensions (w x h)	Color/Finish							
		Exterior							
		White	Terra-tone®	Sandtone	Forest Green	Canvas	Dark Bronze	Black	
		Interior							
20	20-210	19 7/32 × 14 7/32	9023622	9023820	9023424	9023226	9047590	9072311	9127490
	20-32/310CU/310RL	19 7/32 × 16 7/32	9023624	9023822	9023426	9023228	9047592	9072313	9127492
	20-36/42CU/42RL	19 7/32 × 18 7/32	9023625	9023823	9023427	9023229	9047593	9072314	9127493
	20-310L (Lower) (9/2017 - Present)	19 7/32 × 19 23/32	9168220	9168179	9168129	OBD	OBD	OBD	OBD
	20-310/46CU/410CU/46RL/ 410RL	19 7/32 × 20 7/32	9023623	9023821	9023425	9023227	9047591	9072312	9127491
	20-310U (9/2017 - Present)	19 7/32 × 20 23/32	9168419	9168398	9168362	9168359	9168298	9168315	9168328
	20-42/52CU/52RL	19 7/32 × 22 7/32	9023627	9023825	9023429	9023231	9047595	9072316	9127495
	20-46 (Lower) (4/2017 - Present)	19 7/32 × 23 23/32	9163284	9163280	9163276	9163272	9163264	9163268	9163260
	20-46/56CU/310CL/310RU/56RL	19 7/32 × 24 7/32	9023628	9023826	9023430	9023232	9047596	9072317	9127496
	20-46U (Upper) (4/2017 - Present)	19 7/32 × 24 23/32	9152713	9152711	9152709	9152708	9152706	9152707	9152705
	20-410/62CU/42CL/42RU/62RL	19 7/32 × 26 7/32	9023626	9023824	9023428	9023230	9047594	9072315	9127494
	20-52/46CL/46RU	19 7/32 × 28 7/32	9023630	9023828	9023432	9023234	9047598	9072319	9127498
	20-510/410CL/410RU	19 7/32 × 32 7/32	9023629	9023827	9023431	9023233	9047597	9072318	9127497
	20-62/52CL/52RU	19 7/32 × 34 7/32	9023632	9023830	9023434	9023236	9047600	9072321	9127500
	20-56CL (Lower) (4/2017 - Present)	19 7/32 × 35 23/32	9163285	9163281	9163277	9163273	9163265	9163269	9163261
	20-56CL/56RU	19 7/32 × 36 7/32	9023631	9023829	9023433	9023235	9047599	9072320	9127499
20-56RCU (4/2017 - Present)	19 7/32 × 36 23/32	9163286	9163282	9163278	9163274	9163266	9163270	9163262	

## Grilles / Prairie A

### Interior Grille with Chisel Plungers - Prairie A / 3/4" Wood Interior (5/2010 - Present)

**Note:**

Size stamped on exterior on right leg as viewed from exterior. Grilles to be used as both upper grilles and lower grilles unless noted. Grilles to be used on sash with no grommets. Colors not shown available OBD. Conversion Kit grilles use "vintage" 310/46 sizes. See iQ+ for additional detail.



**Interior Grilles - 3/4" Prairie A with Chisel Plungers**

Unit No.	Dimensions (w x h)	Color/Finish							
		Exterior							
		White	Terra-tone®	Sandtone	Forest Green	Canvas	Dark Bronze	Black	
		Interior							
24	24-210	23 7/32 × 14 7/32	9023644	9023842	9023446	9023248	9047612	9072333	9127512
	24-32/310CU/310RL	23 7/32 × 16 7/32	9023646	9023844	9023448	9023250	9047614	9072335	9127514
	24-36/42CU/42RL	23 7/32 × 18 7/32	9023647	9023845	9023449	9023251	9047615	9072336	9127515
	24-310L (Lower) (9/2017 - Present)	23 7/32 × 19 23/32	9168222	9168181	9168131	OBD	OBD	OBD	OBD
	24-310/46CU/410CU/46RL/410RL	23 7/32 × 20 7/32	9023645	9023843	9023447	9023249	9047613	9072334	9127513
	24-310U (9/2017 - Present)	23 7/32 × 20 23/32	9168421	9168399	9168363	9168360	9168299	9168316	9168329
	24-42/52CU/52RL	23 7/32 × 22 7/32	9023649	9023847	9023451	9023253	9047617	9072338	9127517
	24-46 (Lower) (4/2017 - Present)	23 7/32 × 23 23/32	9163324	9163320	9163316	9163312	9163304	9163308	9163300
	24-46/56CU/310CL/310RU/56RL	23 7/32 × 24 7/32	9023650	9023848	9023452	9023254	9047618	9072339	9127518
	24-46U (Upper) (4/2017 - Present)	23 7/32 × 24 23/32	9152783	9152781	9152779	9152778	9152776	9152777	9152775
	24-410/62CU/42CL/42RU/62RL	23 7/32 × 26 7/32	9023648	9023846	9023450	9023252	9047616	9072337	9127516
	24-52/46CL/46RU	23 7/32 × 28 7/32	9023652	9023850	9023454	9023256	9047620	9072341	9127520
	24-510/410CL/410RU	23 7/32 × 32 7/32	9023651	9023849	9023453	9023255	9047619	9072340	9127519
	24-62/52CL/52RU	23 7/32 × 34 7/32	9023654	9023852	9023456	9023258	9047622	9072343	9127522
	24-56CL (Lower) (4/2017 - Present)	23 7/32 × 35 23/32	9163325	9163321	9163317	9163313	9163305	9163309	9163301
	24-56CL/56RU	23 7/32 × 36 7/32	9023653	9023851	9023455	9023257	9047621	9072342	9127521
24-56RCU (4/2017 - Present)	23 7/32 × 36 23/32	9163326	9163322	9163318	9163314	9163306	9163310	9163302	

# 400 Series Tilt-Wash (TW) Windows (1992 to Present)

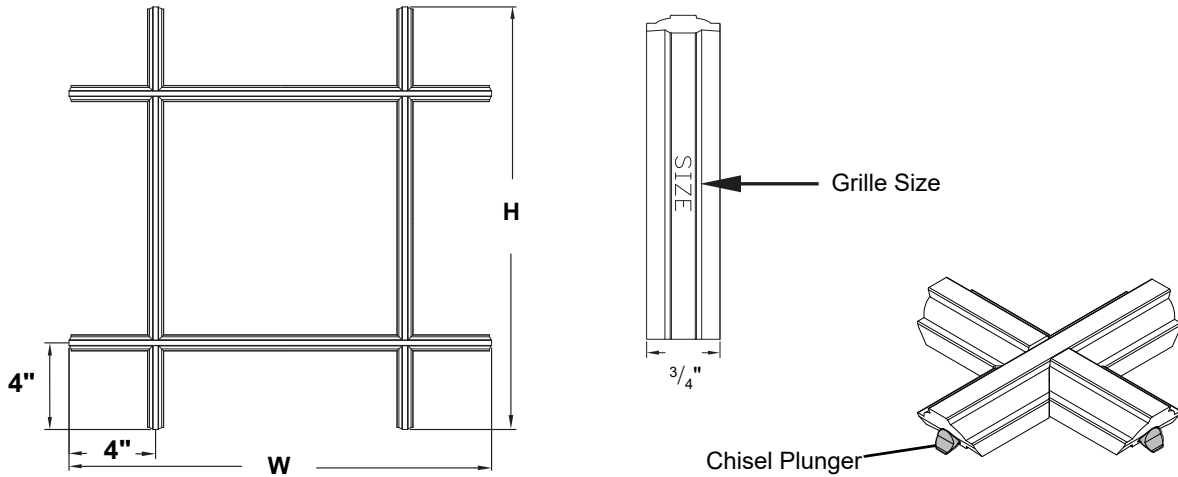
Standard Windows

## Grilles / Prairie A

### Interior Grille with Chisel Plungers - Prairie A / 3/4" Wood Interior (5/2010 - Present)

**Note:**

Size stamped on exterior on right leg as viewed from exterior. Grilles to be used as both upper grilles and lower grilles unless noted. Grilles to be used on sash with no grommets. Colors not shown available OBD. Conversion Kit grilles use "vintage" 310/46 sizes. See iQ+ for additional detail.



Interior Grilles - 3/4" Prairie A with Chisel Plungers

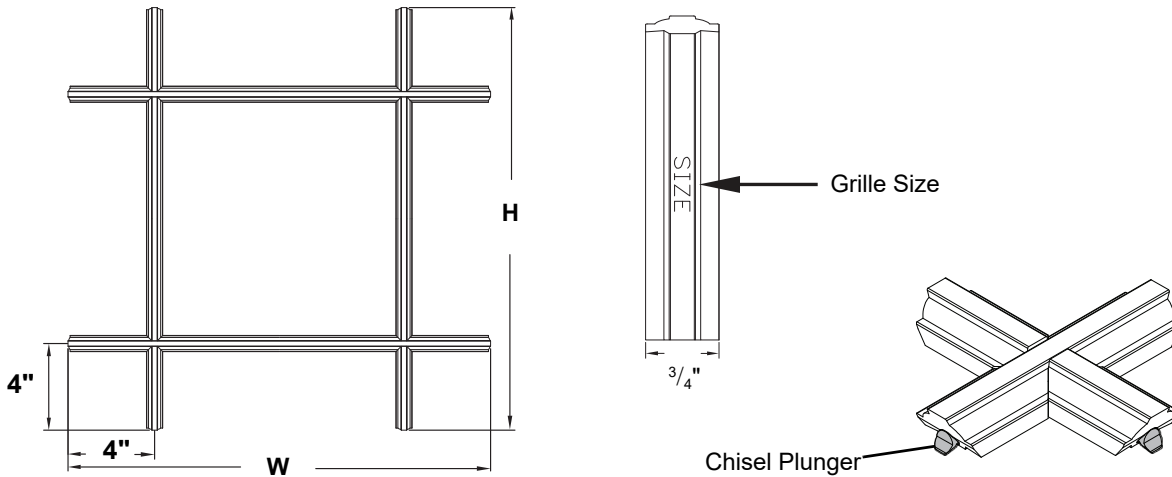
Unit No.	Dimensions (w x h)	Color/Finish							
		Exterior							
		White	Terra-tone®	Sandtone	Forest Green	Canvas	Dark Bronze	Black	
		Interior							
26	26-210	25 7/32 × 14 7/32	9023655	9023853	9023457	9023259	9047623	9072344	9127523
	26-32/310CU/310RL	25 7/32 × 16 7/32	9023657	9023855	9023459	9023261	9047625	9072346	9127525
	26-36/42CU/42RL	25 7/32 × 18 7/32	9023658	9023856	9023460	9023262	9047626	9072347	9127526
	26-310L (Lower) (9/2017 - Present)	25 7/32 × 19 23/32	9168223	9168182	9168132	OBD	OBD	OBD	OBD
	26-310/46CU/410CU/46RL/ 410RL	25 7/32 × 20 7/32	9023656	9023854	9023458	9023260	9047624	9072345	9127524
	26-310U (9/2017 - Present)	25 7/32 × 20 23/32	9168422	9168389	9168353	9168347	9168292	9168309	9168322
	26-42/52CU/52RL	25 7/32 × 22 7/32	9023660	9023858	9023462	9023264	9047628	9072349	9127528
	26-46 (Lower) (4/2017 - Present)	25 7/32 × 23 23/32	9163388	9163385	9163382	9163379	9163373	9163376	9163370
	26-46/56CU/310CL/310RU/56RL	25 7/32 × 24 7/32	9023661	9023859	9023463	9023265	9047629	9072350	9127529
	26-46U (Upper) (4/2017 - Present)	25 7/32 × 24 23/32	9152823	9152821	9152819	9152818	9152816	9152817	9152815
	26-410/62CU/42CL/42RU/62RL	25 7/32 × 26 7/32	9023659	9023857	9023461	9023263	9047627	9072348	9127527
	26-52/46CL/46RU	25 7/32 × 28 7/32	9023663	9023861	9023465	9023267	9047631	9072352	9127531
	26-510/410CL/410RU	25 7/32 × 32 7/32	9023662	9023860	9023464	9023266	9047630	9072351	9127530
	26-62/52CL/52RU	25 7/32 × 34 7/32	9023665	9023863	9023467	9023269	9047633	9072354	9127533
	26-56CL (Lower) (4/2017 - Present)	25 7/32 × 35 23/32	9163389	9163386	9163383	9163380	9163374	9163377	9163371
	26-56CL/56RU	25 7/32 × 36 7/32	9023664	9023862	9023466	9023268	9047632	9072353	9127532
26-56RCU (4/2017 - Present)	25 7/32 × 36 23/32	9163390	9163387	9163384	9163381	9163375	9163378	9163372	

## Grilles / Prairie A

### Interior Grille with Chisel Plungers - Prairie A / 3/4" Wood Interior (5/2010 - Present)

**Note:**

Size stamped on exterior on right leg as viewed from exterior. Grilles to be used as both upper grilles and lower grilles unless noted. Grilles to be used on sash with no grommets. Colors not shown available OBD. Conversion Kit grilles use "vintage" 310/46 sizes. See iQ+ for additional detail.



**Interior Grilles - 3/4" Prairie A with Chisel Plungers**

Unit No.	Dimensions (w x h)	Color/Finish							
		Exterior							
		White	Terra-tone®	Sandtone	Forest Green	Canvas	Dark Bronze	Black	
		Interior							
28	28-210	27 7/32 × 14 7/32	9023666	9023864	9023468	9023270	9047634	9072355	9127534
	28-32/310CU/310RL	27 7/32 × 16 7/32	9023668	9023866	9023470	9023272	9047636	9072357	9127536
	28-36/42CU/42RL	27 7/32 × 18 7/32	9023669	9023867	9023471	9023273	9047637	9072358	9127537
	28-310L (Lower) (9/2017 - Present)	27 7/32 × 19 23/32	9168224	9168183	9168133	9168124	9168051	9168072	9168094
	28-310/46CU/410CU/46RL/410RL	27 7/32 × 20 7/32	9023667	9023865	9023469	9023271	9047635	9072356	9127535
	28-310U (9/2017 - Present)	27 7/32 × 20 23/32	9168423	9168390	9168354	9168348	9168293	9168310	9168323
	28-42/52CU/52RL	27 7/32 × 22 7/32	9023671	9023869	9023473	9023275	9047639	9072360	9127539
	28-46 (Lower) (4/2017 - Present)	27 7/32 × 23 23/32	9163418	9163415	9163412	9163409	9163403	9163406	9163400
	28-46/56CU/310CL/310RU/56RL	27 7/32 × 24 7/32	9023672	9023870	9023474	9023276	9047640	9072361	9127540
	28-46U (Upper) (4/2017 - Present)	27 7/32 × 24 23/32	9152853	9152851	9152849	9152848	9152846	9152847	9152845
	28-410/62CU/42CL/42RU/62RL	27 7/32 × 26 7/32	9023670	9023868	9023472	9023274	9047638	9072359	9127538
	28-52/46CL/46RU	27 7/32 × 28 7/32	9023674	9023872	9023476	9023278	9047642	9072363	9127542
	28-510/410CL/410RU	27 7/32 × 32 7/32	9023673	9023871	9023475	9023277	9047641	9072362	9127541
	28-62/52CL/52RU	27 7/32 × 34 7/32	9023676	9023874	9023478	9023280	9047644	9072365	9127544
	28-56CL (Lower) (4/2017 - Present)	27 7/32 × 35 23/32	9163419	9163416	9163413	9163410	9163404	9163407	9163401
	28-56CL/56RU	27 7/32 × 36 7/32	9023675	9023873	9023477	9023279	9047643	9072364	9127543
28-56RCU (4/2017 - Present)	27 7/32 × 36 23/32	9163420	9163417	9163414	9163411	9163405	9163408	9163402	



# 400 Series Tilt-Wash (TW) Windows (1992 to Present)

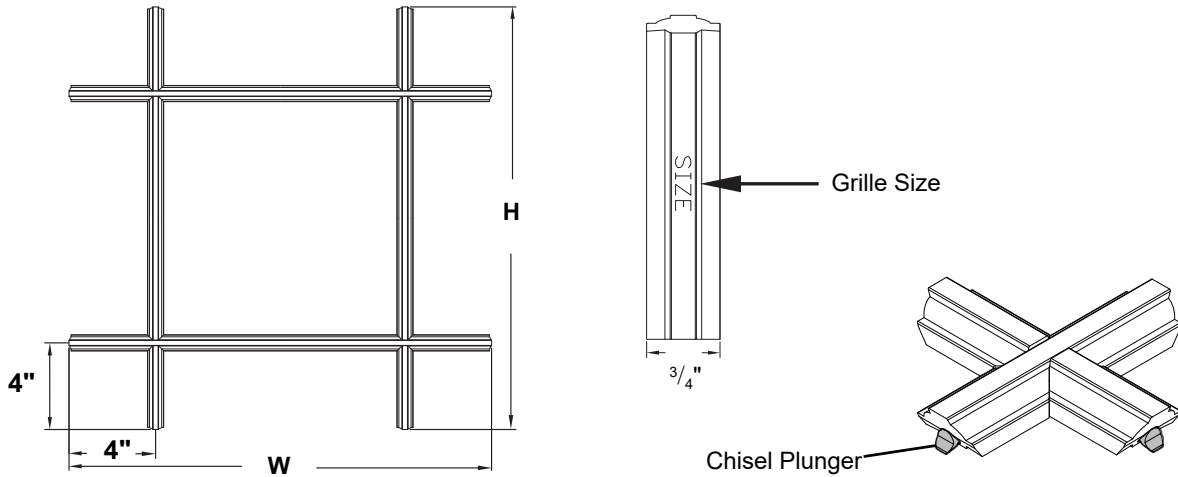
Standard Windows

## Grilles / Prairie A

### Interior Grille with Chisel Plungers - Prairie A / 3/4" Wood Interior (5/2010 - Present)

**Note:**

Size stamped on exterior on right leg as viewed from exterior. Grilles to be used as both upper grilles and lower grilles unless noted. Grilles to be used on sash with no grommets. Colors not shown available OBD. Conversion Kit grilles use "vintage" 310/46 sizes. See iQ+ for additional detail.



**Interior Grilles - 3/4" Prairie A with Chisel Plungers**

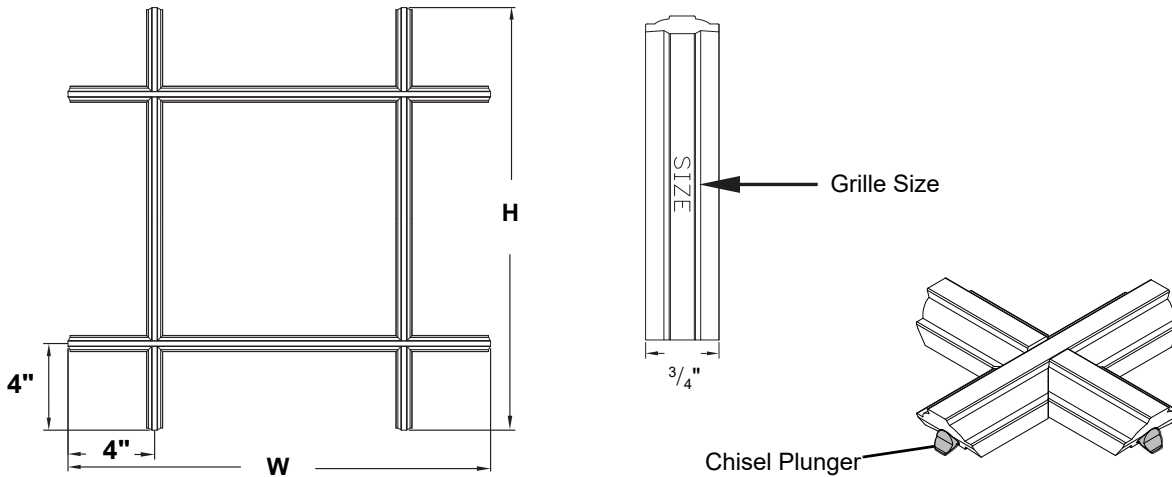
Unit No.	Dimensions (w x h)	Color/Finish							
		Exterior							
		White	Terra-tone®	Sandtone	Forest Green	Canvas	Dark Bronze	Black	
Interior									
<b>210</b>	<b>210-210</b>	29 7/32 × 14 7/32	9023633	9023831	9023435	9023237	9047601	9072322	9127501
	<b>210-32/310CU/310RL</b>	29 7/32 × 16 7/32	9023635	9023833	9023437	9023239	9047603	9072324	9127503
	<b>210-36/42CU/42RL</b>	29 7/32 × 18 7/32	9023636	9023834	9023438	9023240	9047604	9072325	9127504
	<b>210-310L (Lower)</b> <i>(9/2017 - Present)</i>	29 7/32 × 19 23/32	9168221	9168180	9168130	9168121	9168048	9168069	9168091
	<b>210-310/46CU/410CU/46RL/410RL</b>	29 7/32 × 20 7/32	9023634	9023832	9023436	9023238	9047602	9072323	9127502
	<b>210-310U</b> <i>(9/2017 - Present)</i>	29 7/32 × 20 23/32	9168420	9168388	9168352	9168346	9168291	9168308	9168321
	<b>210-42/52CU/52RL</b>	29 7/32 × 22 7/32	9023638	9023836	9023440	9023242	9047606	9072327	9127506
	<b>210-46 (Lower)</b> <i>(4/2017 - Present)</i>	29 7/32 × 23 23/32	9163358	9163355	9163352	9163349	9163343	9163346	9163340
	<b>210-46/56CU/310CL/310RU/56RL</b>	29 7/32 × 24 7/32	9023639	9023837	9023441	9023243	9047607	9072328	9127507
	<b>210-46U (Upper)</b> <i>(4/2017 - Present)</i>	29 7/32 × 24 23/32	9152753	9152751	9152749	9152748	9152746	9152747	9152745
	<b>210-410/62CU/42CL/42RU/62RL</b>	29 7/32 × 26 7/32	9023637	9023835	9023439	9023241	9047605	9072326	9127505
	<b>210-52/46CL/46RU</b>	29 7/32 × 28 7/32	9023641	9023839	9023443	9023245	9047609	9072330	9127509
	<b>210-510/410CL/410RU</b>	29 7/32 × 32 7/32	9023640	9023838	9023442	9023244	9047608	9072329	9127508
	<b>210-62/52CL/52RU</b>	29 7/32 × 34 7/32	9023643	9023841	9023445	9023247	9047611	9072332	9127511
	<b>210-56CL (Lower)</b> <i>(4/2017 - Present)</i>	29 7/32 × 35 23/32	9163359	9163356	9163353	9163350	9163344	9163347	9163341
<b>210-56CL/56RU</b>	29 7/32 × 36 7/32	9023642	9023840	9023444	9023246	9047610	9072331	9127510	
<b>210-56RCU</b> <i>(4/2017 - Present)</i>	29 7/32 × 36 23/32	9163360	9163357	9163354	9163351	9163345	9163348	9163342	

## Grilles / Prairie A

### Interior Grille with Chisel Plungers - Prairie A / 3/4" Wood Interior (5/2010 - Present)

**Note:**

Size stamped on exterior on right leg as viewed from exterior. Grilles to be used as both upper grilles and lower grilles unless noted. Grilles to be used on sash with no grommets. Colors not shown available OBD. Conversion Kit grilles use "vintage" 310/46 sizes. See iQ+ for additional detail.



**Interior Grilles - 3/4" Prairie A with Chisel Plungers**

Unit No.	Dimensions (w x h)	Color/Finish							
		Exterior							
		White	Terra-tone®	Sandtone	Forest Green	Canvas	Dark Bronze	Black	
		Interior							
30	30-210	31 7/32 × 14 7/32	9023677	9023875	9023479	9023281	9047645	9072366	9127545
	30-32/310CU/310RL	31 7/32 × 16 7/32	9023679	9023877	9023481	9023283	9047647	9072368	9127547
	30-36/42CU/42RL	31 7/32 × 18 7/32	9023680	9023878	9023482	9023284	9047648	9072369	9127548
	30-310L (Lower) (9/2017 - Present)	31 7/32 × 19 23/32	9168225	9168184	9168134	9168125	9168052	9168073	9168095
	30-310/46CU/410CU/46RL/410RL	31 7/32 × 20 7/32	9023678	9023876	9023480	9023282	9047646	9072367	9127546
	30-310U (9/2017 - Present)	31 7/32 × 20 23/32	9168424	9168391	9168355	9168349	9168294	9168311	9168324
	30-42/52CU/52RL	31 7/32 × 22 7/32	9023682	9023880	9023484	9023286	9047650	9072371	9127550
	30-46 (Lower) (4/2017 - Present)	31 7/32 × 23 23/32	9163448	9163445	9163442	9163439	9163433	9163436	9163430
	30-46/56CU/310CL/310RU/56RL	31 7/32 × 24 7/32	9023683	9023881	9023485	9023287	9047651	9072372	9127551
	30-46U (Upper) (4/2017 - Present)	31 7/32 × 24 23/32	9152883	9152881	9152879	9152878	9152876	9152877	9152875
	30-410/62CU/42CL/42RU/62RL	31 7/32 × 26 7/32	9023681	9023879	9023483	9023285	9047649	9072370	9127549
	30-52/46CL/46RU	31 7/32 × 28 7/32	9023685	9023883	9023487	9023289	9047653	9072374	9127553
	30-510/410CL/410RU	31 7/32 × 32 7/32	9023684	9023882	9023486	9023288	9047652	9072373	9127552
	30-62/52CL/52RU	31 7/32 × 34 7/32	9023687	9023885	9023489	9023291	9047655	9072376	9127555
	30-56CL (Lower) (4/2017 - Present)	31 7/32 × 35 23/32	9163449	9163446	9163443	9163440	9163434	9163437	9163431
	30-56CL/56RU	31 7/32 × 36 7/32	9023686	9023884	9023488	9023290	9047654	9072375	9127554
30-56RCU (4/2017 - Present)	31 7/32 × 36 23/32	9163450	9163447	9163444	9163441	9163435	9163438	9163432	

# 400 Series Tilt-Wash (TW) Windows (1992 to Present)

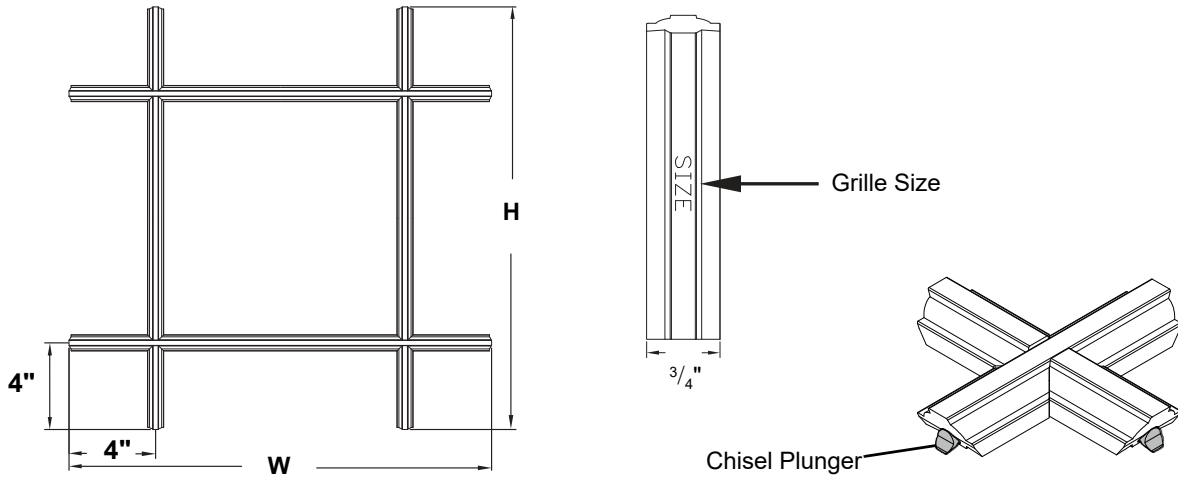
Standard Windows

## Grilles / Prairie A

### Interior Grille with Chisel Plungers - Prairie A / 3/4" Wood Interior (5/2010 - Present)

**Note:**

Size stamped on exterior on right leg as viewed from exterior. Grilles to be used as both upper grilles and lower grilles unless noted. Grilles to be used on sash with no grommets. Colors not shown available OBD. Conversion Kit grilles use "vintage" 310/46 sizes. See iQ+ for additional detail.



Interior Grilles - 3/4" Prairie A with Chisel Plungers

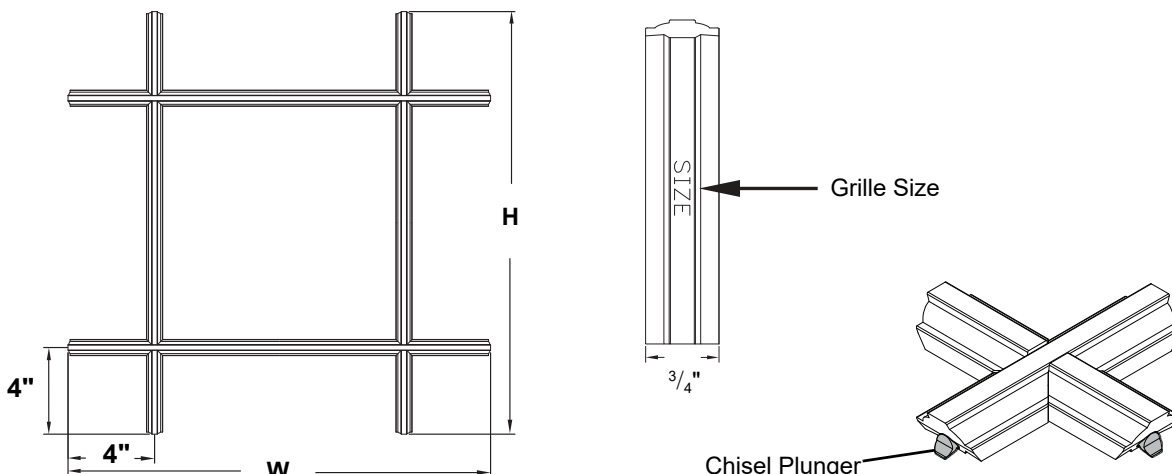
Unit No.	Dimensions (w x h)	Color/Finish							
		Exterior							
		White	Terra-tone®	Sandtone	Forest Green	Canvas	Dark Bronze	Black	
		Interior							
34	34-210	35 7/32 × 14 7/32	9023688	9023886	9023490	9023292	9047656	9072377	9127556
	34-32/310CU/310RL	35 7/32 × 16 7/32	9023690	9023888	9023492	9023294	9047658	9072379	9127558
	34-36/42CU/42RL	35 7/32 × 18 7/32	9023691	9023889	9023493	9023295	9047659	9072380	9127559
	34-310L (Lower) (9/2017 - Present)	35 7/32 × 19 23/32	9168226	9168185	9168135	9168126	9168053	9168074	9168096
	34-310/46CU/410CU/46RL/410RL	35 7/32 × 20 7/32	9023689	9023887	9023491	9023293	9047657	9072378	9127557
	34-310U (9/2017 - Present)	35 7/32 × 20 23/32	9168425	9168392	9168356	9168350	9168295	9168312	9168325
	34-42/52CU/52RL	35 7/32 × 22 7/32	9023693	9023891	9023495	9023297	9047661	9072382	9127561
	34-46 (Lower) (4/2017 - Present)	35 7/32 × 23 23/32	9163478	9163475	9163472	9163469	9163463	9163466	9163460
	34-46/56CU/310CL/310RU/56RL	35 7/32 × 24 7/32	9023694	9023892	9023496	9023298	9047662	9072383	9127562
	34-46U (Upper) (4/2017 - Present)	35 7/32 × 24 23/32	9152941	9152939	9152937	9152936	9152934	9152935	9152933
	34-410/62CU/42CL/42RU/62RL	35 7/32 × 26 7/32	9023692	9023890	9023494	9023296	9047660	9072381	9127560
	34-52/46CL/46RU	35 7/32 × 28 7/32	9023696	9023894	9023498	9023300	9047664	9072385	9127564
	34-510/410CL/410RU	35 7/32 × 32 7/32	9023695	9023893	9023497	9023299	9047663	9072384	9127563
	34-62/52CL/52RU	35 7/32 × 34 7/32	9023698	9023896	9023500	9023302	9047666	9072387	9127566
	34-56CL (Lower) (4/2017 - Present)	35 7/32 × 35 23/32	9163479	9163476	9163473	9163470	9163464	9163467	9163461
	34-56CL/56RU	35 7/32 × 36 7/32	9023697	9023895	9023499	9023301	9047665	9072386	9127565
34-56RCU (4/2017 - Present)	35 7/32 × 36 23/32	9163480	9163477	9163474	9163471	9163465	9163468	9163462	

## Grilles / Prairie A

### Interior Grille with Chisel Plungers - Prairie A / 3/4" Wood Interior (5/2010 - Present)

**Note:**

Size stamped on exterior on right leg as viewed from exterior. Grilles to be used as both upper grilles and lower grilles unless noted. Grilles to be used on sash with no grommets. Colors not shown available OBD. Conversion Kit grilles use "vintage" 310/46 sizes. See iQ+ for additional detail.



**Interior Grilles - 3/4" Prairie A with Chisel Plungers**

Unit No.	Dimensions (w x h)	Color/Finish							
		Exterior							
		White	Terra-tone®	Sandtone	Forest Green	Canvas	Dark Bronze	Black	
		Interior							
<b>38</b>	<b>38-210</b>	39 7/32 × 14 7/32	9023699	9023897	9023501	9023303	9047667	9072388	9127567
	<b>38-32/310CU/310RL</b>	39 7/32 × 16 7/32	9023701	9023899	9023503	9023305	9047669	9072390	9127569
	<b>38-36/42CU/42RL</b>	39 7/32 × 18 7/32	9023702	9023900	9023504	9023306	9047670	9072391	9127570
	<b>38-310L (Lower)</b> <i>(9/2017 - Present)</i>	39 7/32 × 19 23/32	9168227	9168186	9168136	9168127	9168054	9168075	9168097
	<b>38-310/46CU/410CU/46RL/410RL</b>	39 7/32 × 20 7/32	9023700	9023898	9023502	9023304	9047668	9072389	9127568
	<b>38-310U</b> <i>(9/2017 - Present)</i>	39 7/32 × 20 23/32	9168426	9168393	9168357	9168351	9168296	9168313	9168326
	<b>38-42/52CU/52RL</b>	39 7/32 × 22 7/32	9023704	9023902	9023506	9023308	9047672	9072393	9127572
	<b>38-46 (Lower)</b> <i>(4/2017 - Present)</i>	39 7/32 × 23 23/32	9163508	9163505	9163502	9163499	9163493	9163496	9163490
	<b>38-46/56CU/310CL/310RU/56RL</b>	39 7/32 × 24 7/32	9023705	9023903	9023507	9023309	9047673	9072394	9127573
	<b>38-46U (Upper)</b> <i>(4/2017 - Present)</i>	39 7/32 × 24 23/32	9152999	9152997	9152995	9152994	9152992	9152993	9152991
	<b>38-410/62CU/42CL/42RU/62RL</b>	39 7/32 × 26 7/32	9023703	9023901	9023505	9023307	9047671	9072392	9127571
	<b>38-52/46CL/46RU</b>	39 7/32 × 28 7/32	9023707	9023905	9023509	9023311	9047675	9072396	9127575
	<b>38-510/410CL/410RU</b>	39 7/32 × 32 7/32	9023706	9023904	9023508	9023310	9047674	9072395	9127574
	<b>38-62/52CL/52RU</b>	39 7/32 × 34 7/32	9023709	9023907	9023511	9023313	9047677	9072398	9127577
	<b>38-56CL (Lower)</b> <i>(4/2017 - Present)</i>	39 7/32 × 35 23/32	9163509	9163506	9163503	9163500	9163494	9163497	9163491
	<b>38-56CL/56RU</b>	39 7/32 × 36 7/32	9023708	9023906	9023510	9023312	9047676	9072397	9127576
	<b>38-56RCU</b> <i>(4/2017 - Present)</i>	39 7/32 × 36 23/32	9163510	9163507	9163504	9163501	9163495	9163498	9163492

# 400 Series Tilt-Wash (TW) Windows (1992 to Present)

Standard Windows

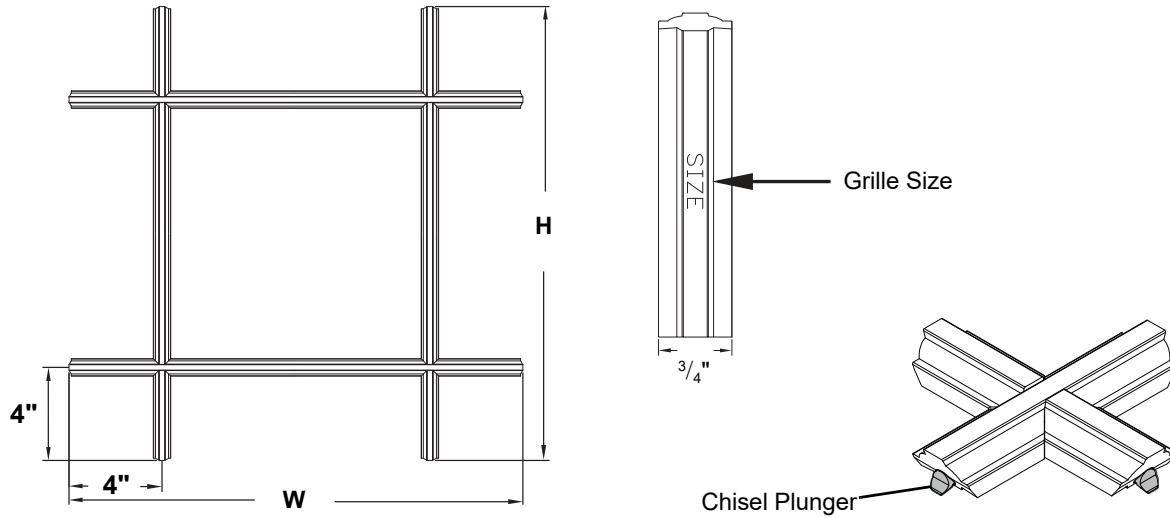
## Grilles / Prairie A

### Upper / Lower / Prefinished Interior w/chisel plungers (5/2010 - Present)

#### Interior Grille with Chisel Plungers - Prairie A / 3/4" Wood Prefinished Interior (5/2010 - Present)

**Note:**

Size stamped on exterior on right leg as viewed from exterior. Grilles to be used as both upper grilles and lower grilles unless noted. Grilles to be used on sash with no grommets. Colors not shown available OBD. Conversion Kit grilles use "vintage" 310/46 sizes. See iQ+ for additional detail.



Interior Grilles - 3/4" Prairie A with Chisel Plungers

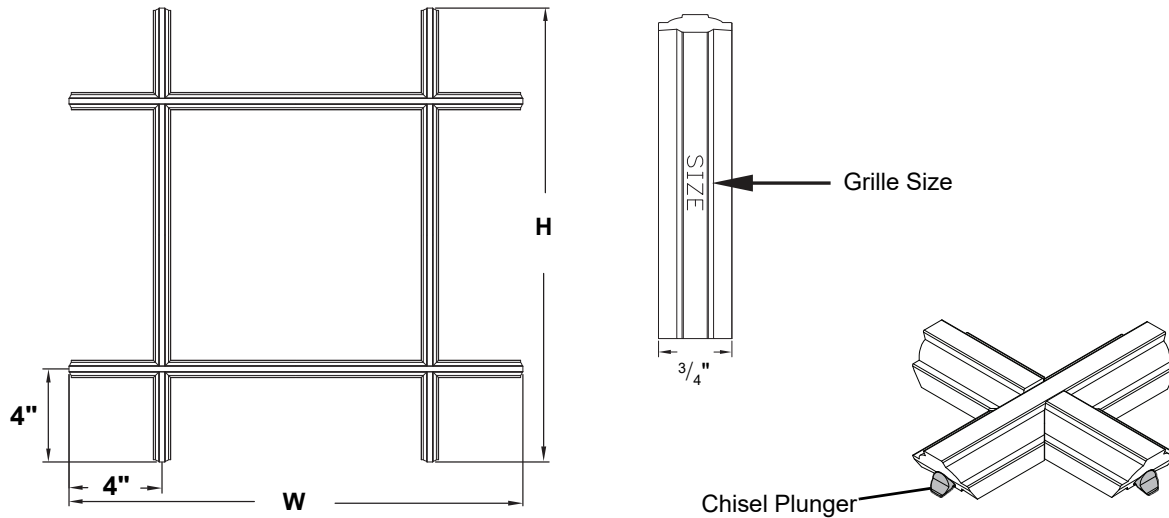
Unit No.		Dimensions (w x h)	Color/Finish						
			Exterior						
			White	Terra-tone®	Sand-tone	Forest Green	Canvas	Dark Bronze	Black
Unit No.		Dimensions (w x h)	Interior						
			White	Terra-tone®	Sand-tone	Forest Green	Canvas	Dark Bronze	Black
18	18-210	15 7/32 × 14 7/32	9023512	9023710	9023314	OBD	OBD	OBD	OBD
	18-32/310CU/310RL	15 7/32 × 16 7/32	9023514	9023712	9023316	OBD	OBD	OBD	OBD
	18-36/42CU/42RL	15 7/32 × 18 7/32	9023515	9023713	9023317	OBD	OBD	OBD	OBD
	18-310L (Lower) (9/2017 - Present)	15 7/32 × 19 23/32	9168258	9168228	9168169	OBD	OBD	OBD	OBD
	18-310/46CU/410CU/46RL/ 410RL (5/2010 - 8/2017)	15 7/32 × 20 7/32	9023513	9023711	9023315	OBD	OBD	OBD	OBD
	18-310U (9/2017 - Present)	15 7/32 × 20 23/32	9168452	9168427	9168394	OBD	OBD	OBD	OBD
	18-42/52CU/52RL	15 7/32 × 22 7/32	9023517	9023715	9023319	OBD	OBD	OBD	OBD
	18-46/56RCL (Lower) (4/2017 - Present)	15 7/32 × 23 23/32	9163256	9163252	9163248	OBD	OBD	OBD	OBD
	18-46/56CU/310CL/310RU/ 56RL	15 7/32 × 24 7/32	9023518	9023716	9023320	OBD	OBD	OBD	OBD
	18-46/56CU (Upper) (4/2017 - Present)	15 7/32 × 24 23/32	9152654	9152652	9152650	OBD	OBD	OBD	OBD
	18-410/62CU/42CL/42RU/62RL	15 7/32 × 26 7/32	9023516	9023714	9023318	OBD	OBD	OBD	OBD
	18-52/46CL/46RU	15 7/32 × 28 7/32	9023520	9023718	9023322	OBD	OBD	OBD	OBD
	18-510/410CL/410RU	15 7/32 × 32 7/32	9023519	9023717	9023321	OBD	OBD	OBD	OBD
	18-62/52CL/52RU	15 7/32 × 34 7/32	9023522	9023720	9023324	OBD	OBD	OBD	OBD
	18-56CL (Lower) (4/2017 - Present)	15 7/32 × 35 23/32	9163257	9163253	9163249	OBD	OBD	OBD	OBD
	18-56CL/56RU	15 7/32 × 36 7/32	9023521	9023719	9023323	OBD	OBD	OBD	OBD
18-56RCU (4/2017 - Present)	15 7/32 × 36 23/32	9163258	9163254	9163250	OBD	OBD	OBD	OBD	

## Grilles / Prairie A

### Interior Grille with Chisel Plungers - Prairie A / 3/4" Wood Prefinished Interior (5/2010 - Present)

**Note:**

Size stamped on exterior on right leg as viewed from exterior. Grilles to be used as both upper grilles and lower grilles unless noted. Grilles to be used on sash with no grommets. Colors not shown available OBD. Conversion Kit grilles use "vintage" 310/46 sizes. See iQ+ for additional detail.



**Interior Grilles - 3/4" Prairie A with Chisel Plungers**

Unit No.	Dimensions (w x h)	Color/Finish							
		Exterior						Interior	
		White	Terra-tone®	Sand-tone	Forest Green	Canvas	Dark Bronze	Black	
<b>20</b>	20-210	19 7/32 × 14 7/32	9023523	9023721	9023325	OBD	OBD	OBD	OBD
	20-32/310CU/310RL	19 7/32 × 16 7/32	9023525	9023723	9023327	OBD	OBD	OBD	OBD
	20-36/42CU/42RL	19 7/32 × 18 7/32	9023526	9023724	9023328	OBD	OBD	OBD	OBD
	20-310L (Lower) (9/2017 - Present)	19 7/32 × 19 23/32	9168259	9168229	9168170	OBD	OBD	OBD	OBD
	20-310/46CU/410CU/46RL/410RL (5/2010 - 8/2017)	19 7/32 × 20 7/32	9023524	9023722	9023326	OBD	OBD	OBD	OBD
	20-310U (9/2017 - Present)	19 7/32 × 20 23/32	9168453	9168428	9168395	OBD	OBD	OBD	OBD
	20-42/52CU/52RL	19 7/32 × 22 7/32	9023528	9023726	9023330	OBD	OBD	OBD	OBD
	20-46/56RCL (Lower) (4/2017 - Present)	15 7/32 × 23 23/32	9163296	9163292	9163288	OBD	OBD	OBD	OBD
	20-46/56CU/31CL/310RU/56RL	19 7/32 × 24 7/32	9023529	9023727	9023331	OBD	OBD	OBD	OBD
	20-46/56CU (Upper) (4/2017 - Present)	19 7/32 × 24 23/32	9152714	9152712	9152710	OBD	OBD	OBD	OBD
	20-410/62CU/42CL/42RU/62RL	19 7/32 × 26 7/32	9023527	9023725	9023329	OBD	OBD	OBD	OBD
	20-52/46CL/46RU	19 7/32 × 28 7/32	9023531	9023729	9023333	OBD	OBD	OBD	OBD
	20-510/410CL/410RU	19 7/32 × 32 7/32	9023530	9023728	9023332	OBD	OBD	OBD	OBD
	20-62/52CL/52RU	19 7/32 × 34 7/32	9023533	9023731	9023335	OBD	OBD	OBD	OBD
	20-56CL (Lower) (4/2017 - Present)	19 7/32 × 35 23/32	9163297	9163293	9163289	OBD	OBD	OBD	OBD
	20-56CL/56RU	19 7/32 × 36 7/32	9023532	9023730	9023334	OBD	OBD	OBD	OBD
20-56RCU (4/2017 - Present)	19 7/32 × 36 23/32	9163298	9163294	9163290	OBD	OBD	OBD	OBD	

# 400 Series Tilt-Wash (TW) Windows (1992 to Present)

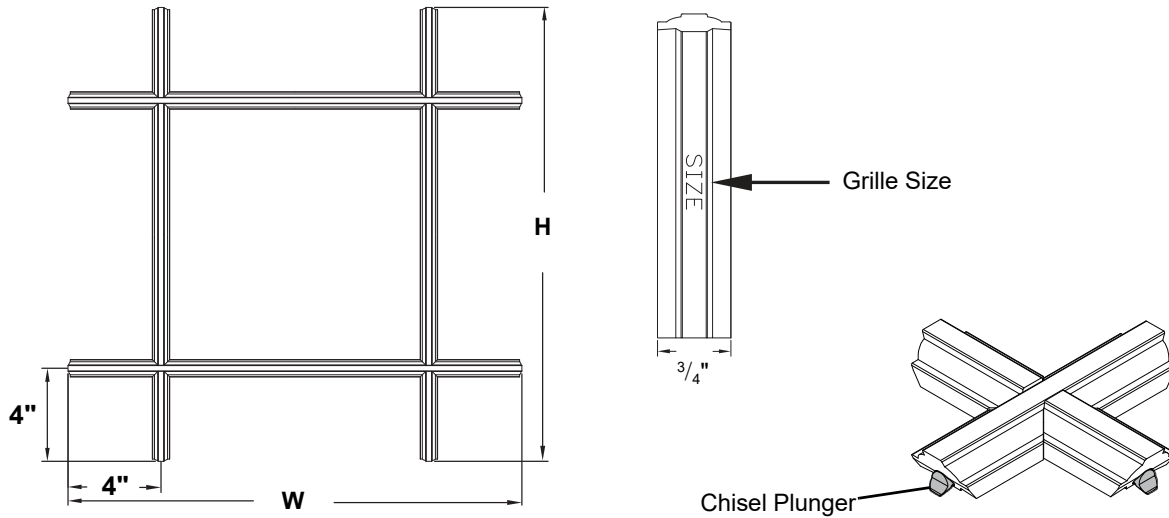
Standard Windows

## Grilles / Prairie A

### Interior Grille with Chisel Plungers - Prairie A / 3/4" Wood Prefinished Interior (5/2010 - Present)

**Note:**

Size stamped on exterior on right leg as viewed from exterior. Grilles to be used as both upper grilles and lower grilles unless noted. Grilles to be used on sash with no grommets. Colors not shown available OBD. Conversion Kit grilles use "vintage" 310/46 sizes. See iQ+ for additional detail.



Interior Grilles - 3/4" Prairie A with Chisel Plungers

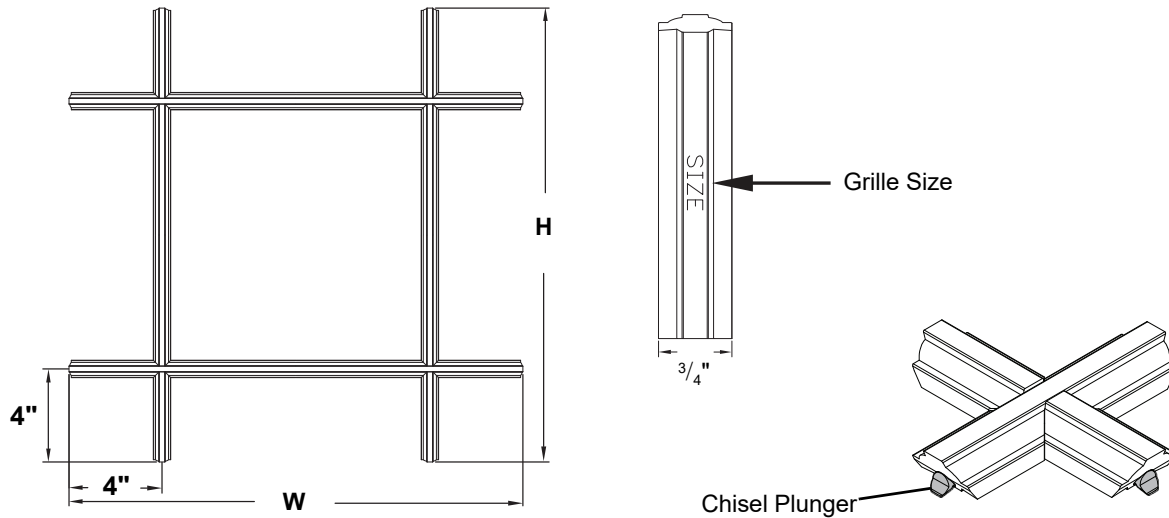
Unit No.		Dimensions (w x h)	Color/Finish						
			Exterior						
			White	Terra-tone®	Sand-tone	Forest Green	Canvas	Dark Bronze	Black
Unit No.		Dimensions (w x h)	Interior						
			White	Terra-tone®	Sand-tone	Forest Green	Canvas	Dark Bronze	Black
24	24-210	23 7/32 × 14 7/32	9023545	9023743	9023347	OBD	OBD	OBD	OBD
	24-32/310CU/310RL	23 7/32 × 16 7/32	9023547	9023745	9023349	OBD	OBD	OBD	OBD
	24-36/42CU/42RL	23 7/32 × 18 7/32	9023548	9023746	9023350	OBD	OBD	OBD	OBD
	24-310L (Lower) (9/2017 - Present)	23 7/32 × 19 23/32	9168261	9168231	9168172	OBD	OBD	OBD	OBD
	24-310/46CU/410CU/46RL/ 410RL (5/2010 - 8/2017)	23 7/32 × 20 7/32	9023546	9023744	9023348	OBD	OBD	OBD	OBD
	24-310U (9/2017 - Present)	23 7/32 × 20 23/32	9168454	9168430	9168396	OBD	OBD	OBD	OBD
	24-42/52CU/52RL	23 7/32 × 22 7/32	9023550	9023748	9023352	OBD	OBD	OBD	OBD
	24-46/56RCL (Lower) (4/2017 - Present)	23 7/32 × 23 23/32	9163336	9163332	9163328	OBD	OBD	OBD	OBD
	24-46/56CU/31CL/310RU/56RL	23 7/32 × 24 7/32	9023551	9023749	9023353	OBD	OBD	OBD	OBD
	24-46/56CU (Upper) (4/2017 - Present)	23 7/32 × 24 23/32	9152784	9152782	9152780	OBD	OBD	OBD	OBD
	24-410/62CU/42CL/42RU/62RL	23 7/32 × 26 7/32	9023549	9023747	9023351	OBD	OBD	OBD	OBD
	24-52/46CL/46RU	23 7/32 × 28 7/32	9023553	9023751	9023355	OBD	OBD	OBD	OBD
	24-510/410CL/410RU	23 7/32 × 32 7/32	9023552	9023750	9023354	OBD	OBD	OBD	OBD
	24-62/52CL/52RU	23 7/32 × 34 7/32	9023555	9023753	9023357	OBD	OBD	OBD	OBD
	24-56CL (Lower) (4/2017 - Present)	23 7/32 × 35 23/32	9163337	9163333	9163329	OBD	OBD	OBD	OBD
24-56CL/56RU	23 7/32 × 36 7/32	9023554	9023752	9023356	OBD	OBD	OBD	OBD	
24-56RCU (4/2017 - Present)	23 7/32 × 36 23/32	9163338	9163334	9163330	OBD	OBD	OBD	OBD	

## Grilles / Prairie A

### Interior Grille with Chisel Plungers - Prairie A / 3/4" Wood Prefinished Interior (5/2010 - Present)

**Note:**

Size stamped on exterior on right leg as viewed from exterior. Grilles to be used as both upper grilles and lower grilles unless noted. Grilles to be used on sash with no grommets. Colors not shown available OBD. Conversion Kit grilles use "vintage" 310/46 sizes. See iQ+ for additional detail.



**Interior Grilles - 3/4" Prairie A with Chisel Plungers**

Unit No.	Dimensions (w x h)	Color/Finish							
		Exterior							
		White	Terra-tone®	Sand-tone	Forest Green	Canvas	Dark Bronze	Black	
Interior									
White	Terra-tone®	Sand-tone	Forest Green	Canvas	Dark Bronze	Black			
26	26-210	25 7/32 × 14 7/32	9023556	9023754	9023358	OBD	OBD	OBD	OBD
	26-32/310CU/310RL	25 7/32 × 16 7/32	9023558	9023756	9023359	OBD	OBD	OBD	OBD
	26-36/42CU/42RL	25 7/32 × 18 7/32	9023559	9023757	9023360	OBD	OBD	OBD	OBD
	26-310L (Lower) (9/2017 - Present)	25 7/32 × 19 23/32	9168262	9168232	9168173	OBD	OBD	OBD	OBD
	26-310/46CU/410CU/46RL/ 410RL (5/2010 - 8/2017)	25 7/32 × 20 7/32	9023557	9023755	9023361	OBD	OBD	OBD	OBD
	26-310U (9/2017 - Present)	25 7/32 × 20 23/32	9168447	9168431	9168383	OBD	OBD	OBD	OBD
	26-42/52CU/52RL	25 7/32 × 22 7/32	9023561	9023759	9023362	OBD	OBD	OBD	OBD
	26-46/56RCL (Lower) (4/2017 - Present)	25 7/32 × 23 23/32	9163397	9163394	9163391	OBD	OBD	OBD	OBD
	26-46/56CU/31CL/310RU/56RL	25 7/32 × 24 7/32	9023562	9023760	9023363	OBD	OBD	OBD	OBD
	26-46/56CU (Upper) (4/2017 - Present)	25 7/32 × 24 23/32	9152824	9152822	9152820	OBD	OBD	OBD	OBD
	26-410/62CU/42CL/42RU/62RL	25 7/32 × 26 7/32	9023560	9023758	9023364	OBD	OBD	OBD	OBD
	26-52/46CL/46RU	25 7/32 × 28 7/32	9023564	9023762	9023365	OBD	OBD	OBD	OBD
	26-510/410CL/410RU	25 7/32 × 32 7/32	9023563	9023761	9023366	OBD	OBD	OBD	OBD
	26-62/52CL/52RU	25 7/32 × 34 7/32	9023566	9023764	9023367	OBD	OBD	OBD	OBD
	26-56CL (Lower) (4/2017 - Present)	25 7/32 × 35 23/32	9163398	9163395	9163392	OBD	OBD	OBD	OBD
	26-56CL/56RU	25 7/32 × 36 7/32	9023565	9023763	9023368	OBD	OBD	OBD	OBD
26-56RCU (4/2017 - Present)	25 7/32 × 36 23/32	9163399	9163396	9163393	OBD	OBD	OBD	OBD	



# 400 Series Tilt-Wash (TW) Windows (1992 to Present)

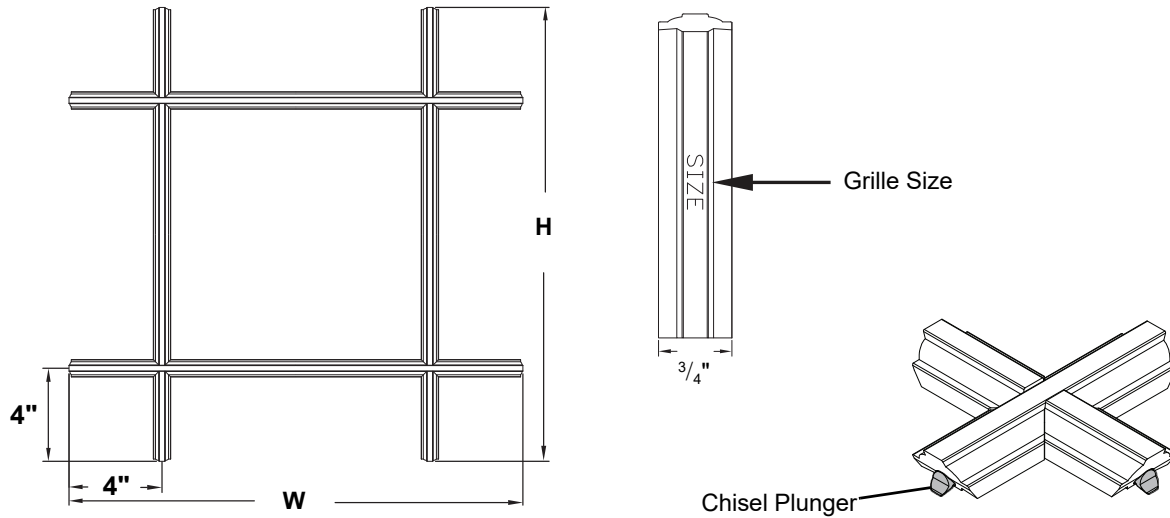
Standard Windows

## Grilles / Prairie A

### Interior Grille with Chisel Plungers - Prairie A / 3/4" Wood Prefinished Interior (5/2010 - Present)

**Note:**

Size stamped on exterior on right leg as viewed from exterior. Grilles to be used as both upper grilles and lower grilles unless noted. Grilles to be used on sash with no grommets. Colors not shown available OBD. Conversion Kit grilles use "vintage" 310/46 sizes. See iQ+ for additional detail.



Interior Grilles - 3/4" Prairie A with Chisel Plungers

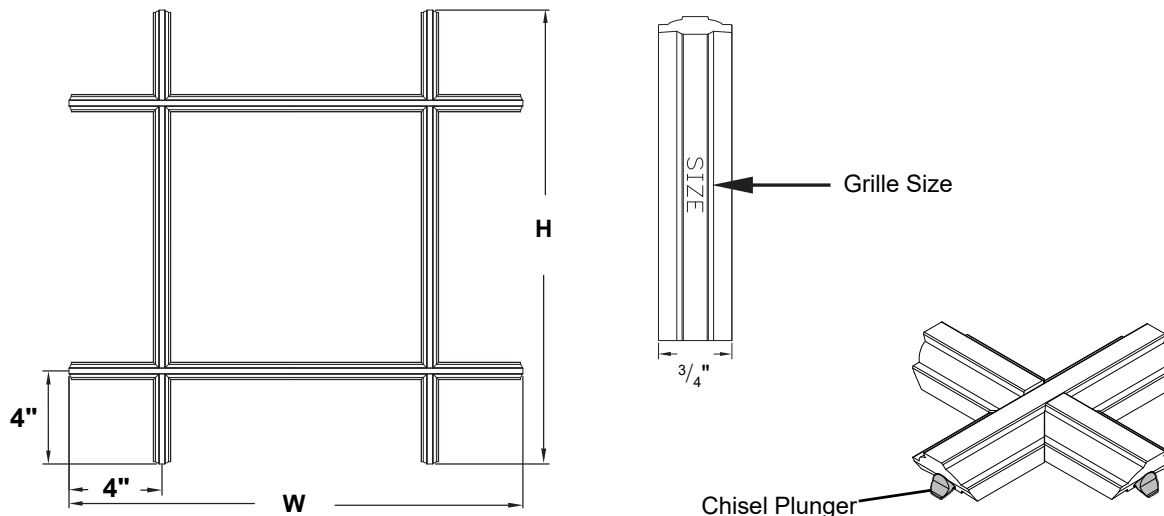
Unit No.		Dimensions (w x h)	Color/Finish						
			Exterior						
			White	Terra-tone®	Sand-tone	Forest Green	Canvas	Dark Bronze	Black
Unit No.		Dimensions (w x h)	Interior						
			White	Terra-tone®	Sand-tone	Forest Green	Canvas	Dark Bronze	Black
28	28-210	27 7/32 × 14 7/32	9023567	9023765	9023369	OBD	OBD	OBD	OBD
	28-32/310CU/310RL	27 7/32 × 16 7/32	9023569	9023767	9023371	OBD	OBD	OBD	OBD
	28-36/42CU/42RL	27 7/32 × 18 7/32	9023570	9023768	9023372	OBD	OBD	OBD	OBD
	28-310L (Lower) (9/2017 - Present)	27 7/32 × 19 23/32	9168263	9168233	9168174	OBD	OBD	OBD	OBD
	28-310/46CU/410CU/46RL/ 410RL (5/2010 - 8/2017)	27 7/32 × 20 7/32	9023568	9023766	9023370	OBD	OBD	OBD	OBD
	28-310U (9/2017 - Present)	27 7/32 × 20 23/32	9168448	9168432	9168384	OBD	OBD	OBD	OBD
	28-42/52CU/52RL	27 7/32 × 22 7/32	9023572	9023770	9023374	OBD	OBD	OBD	OBD
	28-46/56RCL (Lower) (4/2017 - Present)	27 7/32 × 23 23/32	9163427	9163424	9163421	OBD	OBD	OBD	OBD
	28-46/56CU/31CL/310RU/56RL	27 7/32 × 24 7/32	9023573	9023771	9023375	OBD	OBD	OBD	OBD
	28-46/56CU (Upper) (4/2017 - Present)	27 7/32 × 24 23/32	9152854	9152852	9152850	OBD	OBD	OBD	OBD
	28-410/62CU/42CL/42RU/62RL	27 7/32 × 26 7/32	9023571	9023769	9023373	OBD	OBD	OBD	OBD
	28-52/46CL/46RU	27 7/32 × 28 7/32	9023575	9023773	9023377	OBD	OBD	OBD	OBD
	28-510/410CL/410RU	27 7/32 × 32 7/32	9023574	9023772	9023376	OBD	OBD	OBD	OBD
	28-62/52CL/52RU	27 7/32 × 34 7/32	9023577	9023775	9023379	OBD	OBD	OBD	OBD
	28-56CL (Lower) (4/2017 - Present)	27 7/32 × 35 23/32	9163428	9163425	9163422	OBD	OBD	OBD	OBD
28-56CL/56RU	27 7/32 × 36 7/32	9023576	9023774	9023378	OBD	OBD	OBD	OBD	
28-56RCU (4/2017 - Present)	27 7/32 × 36 23/32	9163429	9163426	9163423	OBD	OBD	OBD	OBD	

## Grilles / Prairie A

### Interior Grille with Chisel Plungers - Prairie A / 3/4" Wood Prefinished Interior (5/2010 - Present)

**Note:**

Size stamped on exterior on right leg as viewed from exterior. Grilles to be used as both upper grilles and lower grilles unless noted. Grilles to be used on sash with no grommets. Colors not shown available OBD. Conversion Kit grilles use "vintage" 310/46 sizes. See iQ+ for additional detail.



Interior Grilles - 3/4" Prairie A with Chisel Plungers

Unit No.	Dimensions (w x h)	Color/Finish							
		Exterior							
		White	Terra-tone®	Sand-tone	Forest Green	Canvas	Dark Bronze	Black	
		Interior							
		White	Terra-tone®	Sand-tone	Forest Green	Canvas	Dark Bronze	Black	
210	210-210	29 7/32 × 14 7/32	9023534	9023732	9023336	OBD	OBD	OBD	OBD
	210-32/310CU/310RL	29 7/32 × 16 7/32	9023536	9023734	9023338	OBD	OBD	OBD	OBD
	210-36/42CU/42RL	29 7/32 × 18 7/32	9023537	9023735	9023339	OBD	OBD	OBD	OBD
	210-310L (Lower) (9/2017 - Present)	29 7/32 × 19 23/32	9168260	9168230	9168171	OBD	OBD	OBD	OBD
	210-310/46CU/410CU/46RL/ 410RL (5/2010 - 8/2017)	29 7/32 × 20 7/32	9023535	9023733	9023337	OBD	OBD	OBD	OBD
	210-310U (9/2017 - Present)	29 7/32 × 20 23/32	9168446	9168429	9168382	OBD	OBD	OBD	OBD
	210-42/52CU/52RL	29 7/32 × 22 7/32	9023539	9023737	9023341	OBD	OBD	OBD	OBD
	210-46/56RCL (Lower) (4/2017 - Present)	29 7/32 × 23 23/32	9163367	9163364	9163361	OBD	OBD	OBD	OBD
	210-46/56CU/31CL/310RU/ 56RL	29 7/32 × 24 7/32	9023540	9023738	9023342	OBD	OBD	OBD	OBD
	210-46/56CU (Upper) (4/2017 - Present)	29 7/32 × 24 23/32	9152754	9152752	9152750	OBD	OBD	OBD	OBD
	210-410/62CU/42CL/42RU/ 62RL	29 7/32 × 26 7/32	9023538	9023736	9023340	OBD	OBD	OBD	OBD
	210-52/46CL/46RU	29 7/32 × 28 7/32	9023542	9023740	9023344	OBD	OBD	OBD	OBD
	210-510/410CL/410RU	29 7/32 × 32 7/32	9023541	9023739	9023343	OBD	OBD	OBD	OBD
	210-62/52CL/52RU	29 7/32 × 34 7/32	9023544	9023742	9023346	OBD	OBD	OBD	OBD
	210-56CL (Lower) (4/2017 - Present)	29 7/32 × 35 23/32	9163368	9163365	9063362	OBD	OBD	OBD	OBD
210-56CL/56RU	29 7/32 × 36 7/32	9023543	9023741	9023345	OBD	OBD	OBD	OBD	
210-56RCU (4/2017 - Present)	29 7/32 × 36 23/32	9163369	9163366	9163363	OBD	OBD	OBD	OBD	

# 400 Series Tilt-Wash (TW) Windows (1992 to Present)

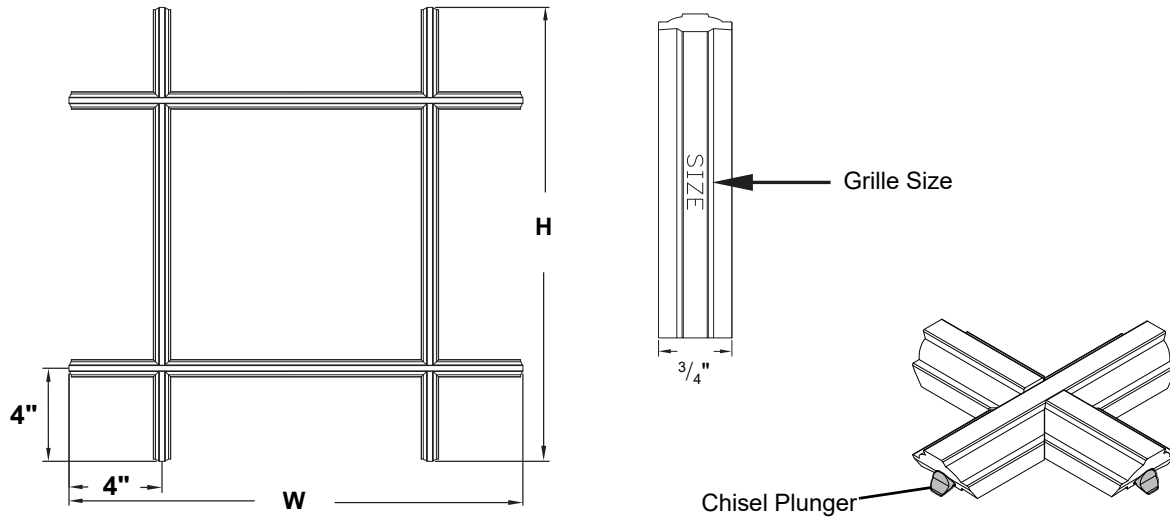
Standard Windows

## Grilles / Prairie A

### Interior Grille with Chisel Plungers - Prairie A / 3/4" Wood Prefinished Interior (5/2010 - Present)

**Note:**

Size stamped on exterior on right leg as viewed from exterior. Grilles to be used as both upper grilles and lower grilles unless noted. Grilles to be used on sash with no grommets. Colors not shown available OBD. Conversion Kit grilles use "vintage" 310/46 sizes. See iQ+ for additional detail.



Interior Grilles - 3/4" Prairie A with Chisel Plungers

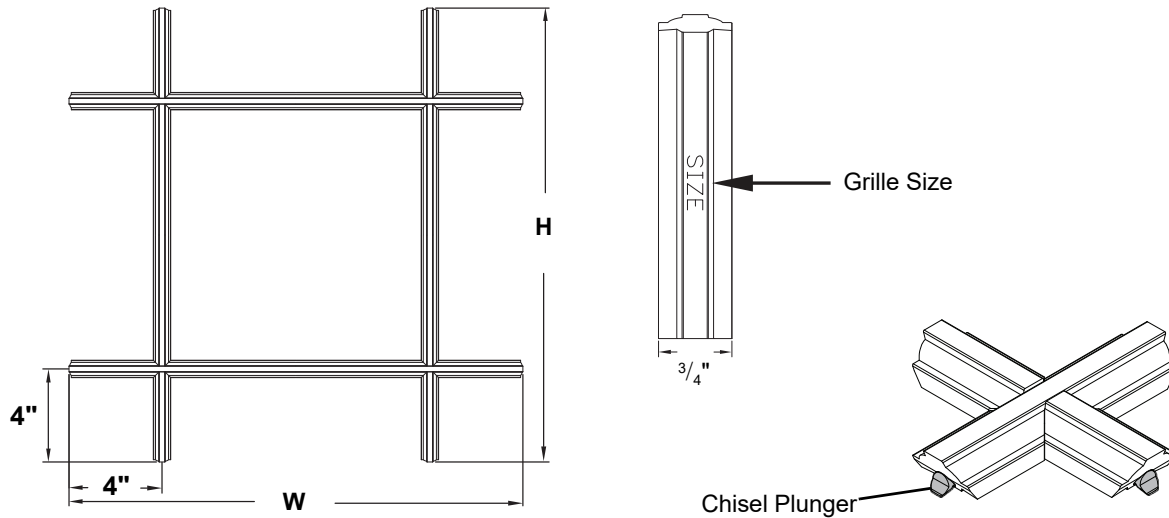
Unit No.	Dimensions (w x h)	Color/Finish							
		Exterior							
		White	Terra-tone®	Sand-tone	Forest Green	Canvas	Dark Bronze	Black	
Unit No.	Dimensions (w x h)	Interior							
		White	Terra-tone®	Sand-tone	Forest Green	Canvas	Dark Bronze	Black	
30	30-210	31 7/32 × 14 7/32	9023578	9023776	9023380	OBD	OBD	OBD	OBD
	30-32/310CU/310RL	31 7/32 × 16 7/32	9023580	9023778	9023382	OBD	OBD	OBD	OBD
	30-36/42CU/42RL	31 7/32 × 18 7/32	9023581	9023779	9023383	OBD	OBD	OBD	OBD
	30-310L (Lower) (9/2017 - Present)	31 7/32 × 19 23/32	9168264	9168234	9168175	OBD	OBD	OBD	OBD
	30-310/46CU/410CU/46RL/ 410RL (5/2010 - 8/2017)	31 7/32 × 20 7/32	9023579	9023777	9023381	OBD	OBD	OBD	OBD
	30-310U (9/2017 - Present)	31 7/32 × 20 23/32	9168449	9168433	9168385	OBD	OBD	OBD	OBD
	30-42/52CU/52RL	31 7/32 × 22 7/32	9023583	9023781	9023385	OBD	OBD	OBD	OBD
	30-46/56RCL (Lower) (4/2017 - Present)	31 7/32 × 23 23/32	9163457	9163454	9163451	OBD	OBD	OBD	OBD
	30-46/56CU/31CL/310RU/56RL	31 7/32 × 24 7/32	9023584	9023782	9023386	OBD	OBD	OBD	OBD
	30-46/56CU (Upper) (4/2017 - Present)	31 7/32 × 24 23/32	9152884	9152882	9152880	OBD	OBD	OBD	OBD
	30-410/62CU/42CL/42RU/62RL	31 7/32 × 26 7/32	9023582	9023780	9023384	OBD	OBD	OBD	OBD
	30-52/46CL/46RU	31 7/32 × 28 7/32	9023586	9023784	9023388	OBD	OBD	OBD	OBD
	30-510/410CL/410RU	31 7/32 × 32 7/32	9023585	9023783	9023387	OBD	OBD	OBD	OBD
	30-62/52CL/52RU	31 7/32 × 34 7/32	9023588	9023786	9023390	OBD	OBD	OBD	OBD
	30-56CL (Lower) (4/2017 - Present)	31 7/32 × 35 23/32	9163458	9163455	9163452	OBD	OBD	OBD	OBD
30-56CL/56RU	31 7/32 × 36 7/32	9023587	9023785	9023389	OBD	OBD	OBD	OBD	
30-56RCU (4/2017 - Present)	31 7/32 × 36 23/32	9163459	9163456	9163453	OBD	OBD	OBD	OBD	

## Grilles / Prairie A

### Interior Grille with Chisel Plungers - Prairie A / 3/4" Wood Prefinished Interior (5/2010 - Present)

**Note:**

Size stamped on exterior on right leg as viewed from exterior. Grilles to be used as both upper grilles and lower grilles unless noted. Grilles to be used on sash with no grommets. Colors not shown available OBD. Conversion Kit grilles use "vintage" 310/46 sizes. See iQ+ for additional detail.



**Interior Grilles - 3/4" Prairie A with Chisel Plungers**

Unit No.	Dimensions (w x h)	Color/Finish							
		Exterior							
		White	Terra-tone®	Sand-tone	Forest Green	Canvas	Dark Bronze	Black	
Interior									
White	Terra-tone®	Sand-tone	Forest Green	Canvas	Dark Bronze	Black			
<b>34</b>	34-210	35 7/32 × 14 7/32	9023589	9023787	9023391	OBD	OBD	OBD	OBD
	34-32/310CU/310RL	35 7/32 × 16 7/32	9023591	9023789	9023393	OBD	OBD	OBD	OBD
	34-36/42CU/42RL	35 7/32 × 18 7/32	9023592	9023790	9023394	OBD	OBD	OBD	OBD
	34-310L (Lower) (9/2017 - Present)	35 7/32 × 19 23/32	9168265	9168235	9168176	OBD	OBD	OBD	OBD
	34-310/46CU/410CU/46RL/ 410RL (5/2010 - 8/2017)	35 7/32 × 20 7/32	9023590	9023788	9023392	OBD	OBD	OBD	OBD
	34-310U (9/2017 - Present)	35 7/32 × 20 23/32	9168450	9168434	9168386	OBD	OBD	OBD	OBD
	34-42/52CU/52RL	35 7/32 × 22 7/32	9023594	9023792	9023396	OBD	OBD	OBD	OBD
	34-46/56RCL (Lower) (4/2017 - Present)	35 7/32 × 23 23/32	9163487	9163484	9163481	OBD	OBD	OBD	OBD
	34-46/56CU/31CL/310RU/56RL	35 7/32 × 24 7/32	9023595	9023793	9023397	OBD	OBD	OBD	OBD
	34-46/56CU (Upper) (4/2017 - Present)	35 7/32 × 24 23/32	9152942	9152940	9152938	OBD	OBD	OBD	OBD
	34-410/62CU/42CL/42RU/62RL	35 7/32 × 26 7/32	9023593	9023791	9023395	OBD	OBD	OBD	OBD
	34-52/46CL/46RU	35 7/32 × 28 7/32	9023597	9023795	9023399	OBD	OBD	OBD	OBD
	34-510/410CL/410RU	35 7/32 × 32 7/32	9023596	9023794	9023398	OBD	OBD	OBD	OBD
	34-62/52CL/52RU	35 7/32 × 34 7/32	9023599	9023797	9023401	OBD	OBD	OBD	OBD
	34-56CL (Lower) (4/2017 - Present)	35 7/32 × 35 23/32	9163488	9163485	9163482	OBD	OBD	OBD	OBD
	34-56CL/56RU	35 7/32 × 36 7/32	9023598	9023796	9023400	OBD	OBD	OBD	OBD
34-56RCU (4/2017 - Present)	35 7/32 × 36 23/32	9163489	9163486	9163483	OBD	OBD	OBD	OBD	

# 400 Series Tilt-Wash (TW) Windows (1992 to Present)

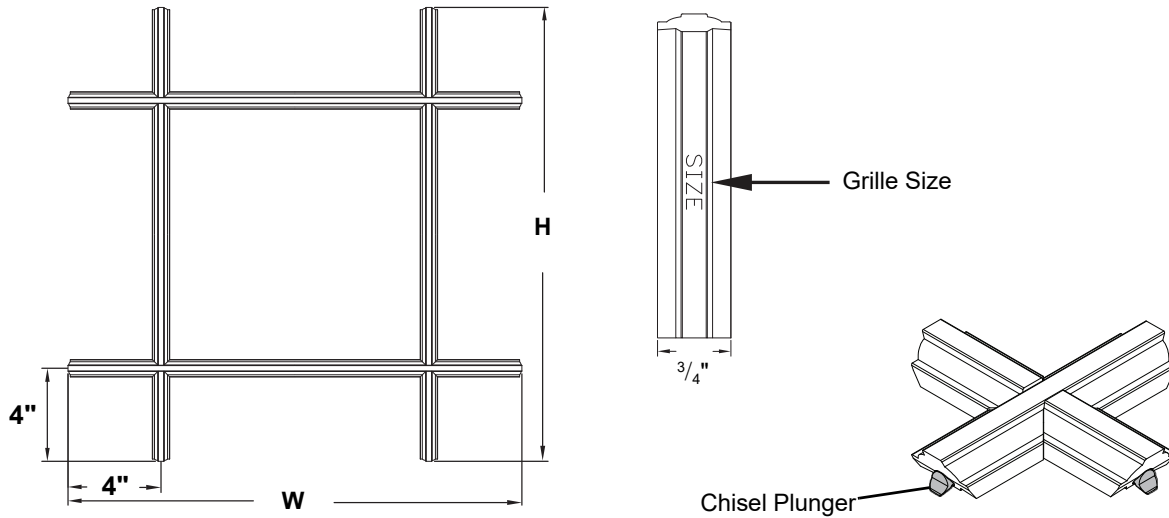
Standard Windows

## Grilles / Prairie A

### Interior Grille with Chisel Plungers - Prairie A / 3/4" Wood Prefinished Interior (5/2010 - Present)

**Note:**

Size stamped on exterior on right leg as viewed from exterior. Grilles to be used as both upper grilles and lower grilles unless noted. Grilles to be used on sash with no grommets. Colors not shown available OBD. Conversion Kit grilles use "vintage" 310/46 sizes. See iQ+ for additional detail.



Interior Grilles - 3/4" Prairie A with Chisel Plungers

Unit No.		Dimensions (w x h)	Color/Finish						
			Exterior						
			White	Terra-tone®	Sand-tone	Forest Green	Canvas	Dark Bronze	Black
Unit No.		Dimensions (w x h)	Interior						
			White	Terra-tone®	Sand-tone	Forest Green	Canvas	Dark Bronze	Black
38	38-210	39 7/32 × 14 7/32	9023600	9023798	9023402	OBD	OBD	OBD	OBD
	38-32/310CU/310RL	39 7/32 × 16 7/32	9023602	9023800	9023404	OBD	OBD	OBD	OBD
	38-36/42CU/42RL	39 7/32 × 18 7/32	9023603	9023801	9023405	OBD	OBD	OBD	OBD
	38-310L (Lower) (9/2017 - Present)	39 7/32 × 19 23/32	9168266	9168236	9168177	OBD	OBD	OBD	OBD
	38-310/46CU/410CU/46RL/ 410RL (5/2010 - 8/2017)	39 7/32 × 20 7/32	9023601	9023799	9023403	OBD	OBD	OBD	OBD
	38-310U (9/2017 - Present)	39 7/32 × 20 23/32	9168451	9168435	9168387	OBD	OBD	OBD	OBD
	38-42/52CU/52RL	39 7/32 × 22 7/32	9023605	9023803	9023407	OBD	OBD	OBD	OBD
	38-46/56RCL (Lower) (4/2017 - Present)	39 7/32 × 23 23/32	9163517	9163514	9163511	OBD	OBD	OBD	OBD
	38-46/56CU/31CL/310RU/56RL	39 7/32 × 24 7/32	9023606	9023804	9023408	OBD	OBD	OBD	OBD
	38-46/56CU (Upper) (4/2017 - Present)	39 7/32 × 24 23/32	9153000	9152998	9152996	OBD	OBD	OBD	OBD
	38-410/62CU/42CL/42RU/62RL	39 7/32 × 26 7/32	9023604	9023802	9023406	OBD	OBD	OBD	OBD
	38-52/46CL/46RU	39 7/32 × 28 7/32	9023608	9023806	9023410	OBD	OBD	OBD	OBD
	38-510/410CL/410RU	39 7/32 × 32 7/32	9023607	9023805	9023409	OBD	OBD	OBD	OBD
	38-62/52CL/52RU	39 7/32 × 34 7/32	9023610	9023808	9023412	OBD	OBD	OBD	OBD
	38-56CL (Lower) (4/2017 - Present)	39 7/32 × 35 23/32	9163518	9163515	9163512	OBD	OBD	OBD	OBD
38-56CL/56RU	39 7/32 × 36 7/32	9023609	9023807	9023411	OBD	OBD	OBD	OBD	
38-56RCU (4/2017 - Present)	39 7/32 × 36 23/32	9163519	9163516	9163513					

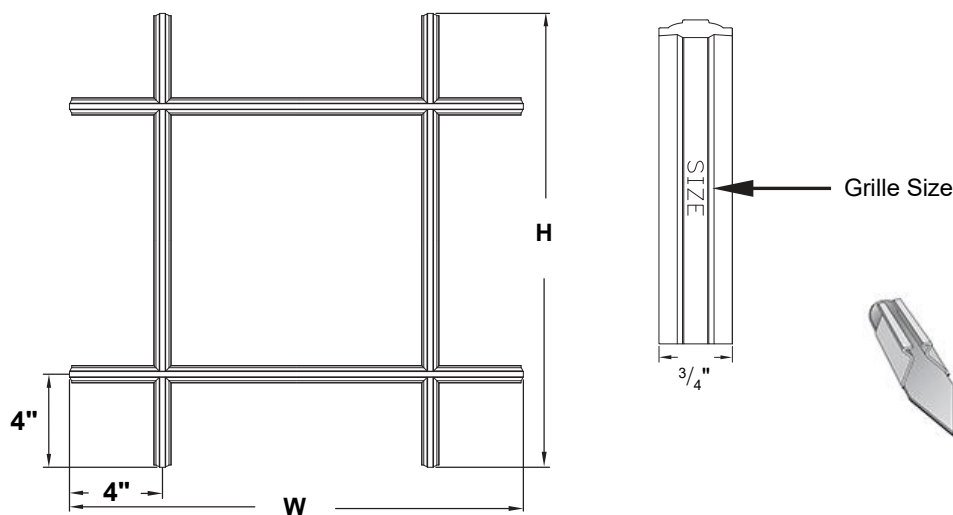
## Grilles / Prairie A

### Upper / Lower / Wood Interior w/clips (1992 - 5/2010)

#### Interior Grille with Clips - Prairie A / 3/4" Wood Interior (1992 - 5/2010)

**Note:**

Size stamped on exterior on right leg as viewed from exterior. Grilles to be used as both upper and lower grilles. Colors not shown available OBD. See iQ+ for additional detail.



Interior Grilles - 3/4" Prairie A with Clips

Unit No.	Dimensions (w x h)	Lite Pattern	Color/Finish				
			Exterior				
			White	Terratone®	Sandtone	Forest Green	
Interior				[Wood Finish]			
18	18-210	15 7/32 x 14 7/32		1637142	2777708	1140303	0314142
	18-32/310CU/310RL	15 7/32 x 16 7/32		1637144	2777710	1140305	0314144
	18-36/42CU/42RL	15 7/32 x 18 7/32		1637145	2777711	1140306	0314145
	18-310/46CU/410CU/46RL/410RL	15 7/32 x 20 7/32		1637143	2777709	1140304	0314143
	18-42/52CU/52RL	15 7/32 x 22 7/32		1637147	2777713	1140308	0314147
	18-46/56CU/310CL/310RU/56RL	15 7/32 x 24 7/32		1637148	2777714	1140309	0314148
	18-410/62CU/42CL/42RU/62RL	15 7/32 x 26 7/32		1637146	2777712	1140307	0314146
	18-52/46CL/46RU	15 7/32 x 28 7/32		1637150	2777716	1140311	0314150
	18-510/410CL/410RU	15 7/32 x 32 7/32		1637149	2777715	1140310	0314149
	18-62/52CL/52RU	15 7/32 x 34 7/32		1637152	2777718	1140313	0314152
18-56CL/56RU	15 7/32 x 36 7/32	1637151	2777717	1140312	0314151		

# 400 Series Tilt-Wash (TW) Windows (1992 to Present)

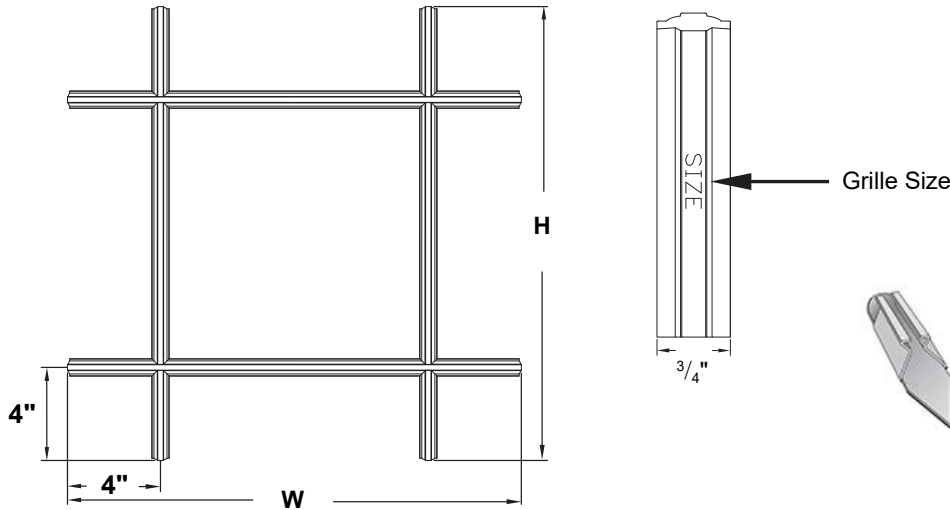
Standard Windows

## Grilles / Prairie A

### Interior Grille with Clips - Prairie A / 3/4" Wood Interior (1992 - 5/2010)

**Note:**

Size stamped on exterior on right leg as viewed from exterior. Grilles to be used as both upper and lower grilles. Colors not shown available OBD. See iQ+ for additional detail.



Interior Grilles - 3/4" Prairie A with Clips

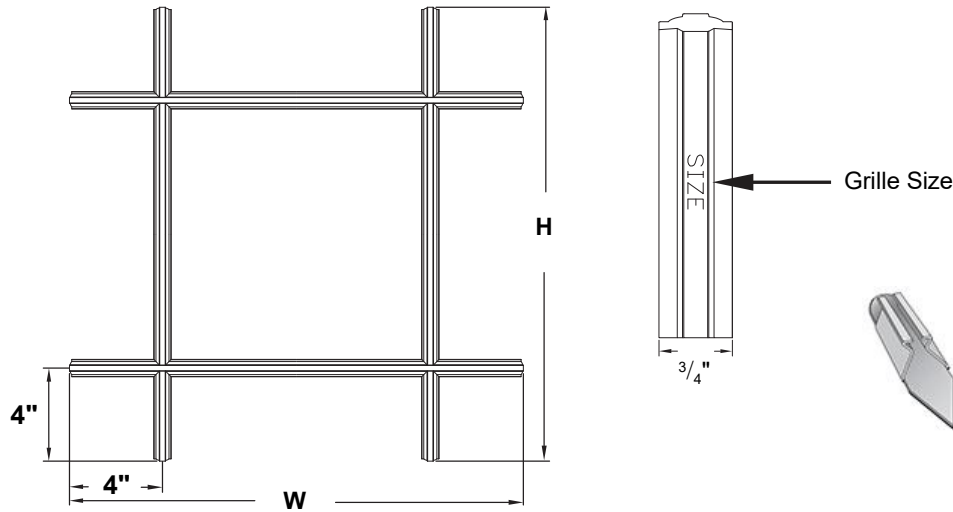
Unit No.	Dimensions (w x h)	Lite Pattern	Color/Finish				
			Exterior				
			White	Terratone®	Sandtone	Forest Green	
			Interior				
20	20-210	19 7/32 × 14 7/32		1637153	2777719	1140314	0314153
	20-32/310CU/310RL	19 7/32 × 16 7/32		1637155	2777721	1140316	0314155
	20-36/42CU/42RL	19 7/32 × 18 7/32		1637156	2777722	1140317	0314156
	20-310/46CU/410CU/46RL/410RL	19 7/32 × 20 7/32		1637154	2777720	1140315	0314154
	20-42/52CU/52RL	19 7/32 × 22 7/32		1637158	2777724	1140319	0314158
	20-46/56CU/310CL/310RU/56RL	19 7/32 × 24 7/32		1637159	2777725	1140320	0314159
	20-410/62CU/42CL/42RU/62RL	19 7/32 × 26 7/32		1637157	2777723	1140318	0314157
	20-52/46CL/46RU	19 7/32 × 28 7/32		1637161	2777727	1140322	0314161
	20-510/410CL/410RU	19 7/32 × 32 7/32		1637160	2777726	1140321	0314160
	20-62/52CL/52RU	19 7/32 × 34 7/32		1637163	2777729	1140324	0314163
	20-56CL/56RU	19 7/32 × 36 7/32		1637162	2777728	1140323	0314162

## Grilles / Prairie A

### Interior Grille with Clips - Prairie A / 3/4" Wood Interior (1992 - 5/2010)

**Note:**

Size stamped on exterior on right leg as viewed from exterior. Grilles to be used as both upper and lower grilles. Colors not shown available OBD. See iQ+ for additional detail.



Interior Grilles - 3/4" Prairie A with Clips

Unit No.	Dimensions (w x h)	Lite Pattern	Color/Finish				
			Exterior				
			White	Terratone®	Sandtone	Forest Green	
			Interior				
<b>24</b>	24-210	23 7/32 x 14 7/32		1637175	2777742	1140336	0314175
	24-32/310CU/310RL	23 7/32 x 16 7/32		1637177	2777744	1140338	0314177
	24-36/42CU/42RL	23 7/32 x 18 7/32		1637178	2777745	1140339	0314178
	24-310/46CU/410CU/46RL/410RL	23 7/32 x 20 7/32		1637176	2777743	1140337	0314176
	24-42/52CU/52RL	23 7/32 x 22 7/32		1637180	2777747	1140341	0314180
	24-46/56CU/310CL/310RU/56RL	23 7/32 x 24 7/32		1637181	2777748	1140342	0314181
	24-410/62CU/42CL/42RU/62RL	23 7/32 x 26 7/32		1637179	2777746	1140340	0314179
	24-52/46CL/46RU	23 7/32 x 28 7/32		1637183	2777750	1140344	0314183
	24-510/410CL/410RU	23 7/32 x 32 7/32		1637182	2777749	1140343	0314182
	24-62/52CL/52RU	23 7/32 x 34 7/32		1637185	2777753	1140346	0314185
	24-56CL/56RU	23 7/32 x 36 7/32		1637184	2777751	1140345	0314184



# 400 Series Tilt-Wash (TW) Windows (1992 to Present)

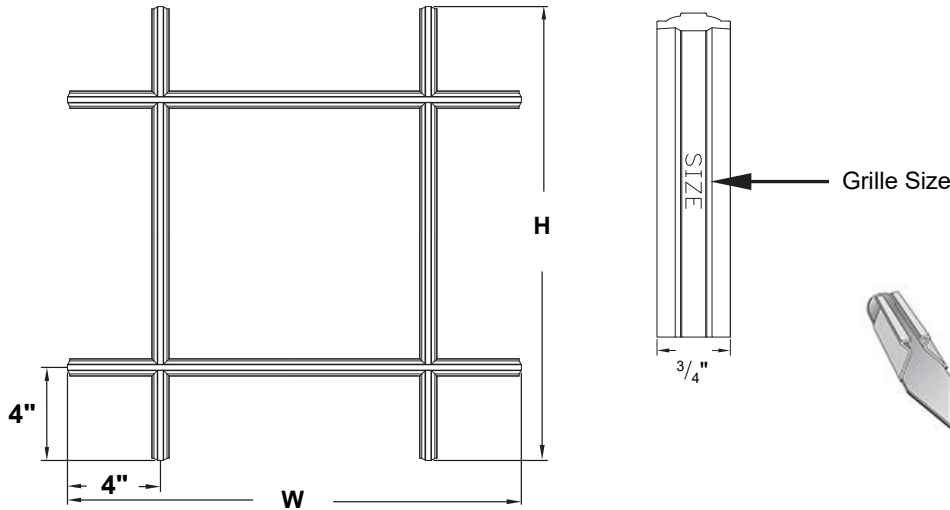
Standard Windows

## Grilles / Prairie A

### Interior Grille with Clips - Prairie A / 3/4" Wood Interior (1992 - 5/2010)

**Note:**

Size stamped on exterior on right leg as viewed from exterior. Grilles to be used as both upper and lower grilles. Colors not shown available OBD. See iQ+ for additional detail.



Interior Grilles - 3/4" Prairie A with Clips

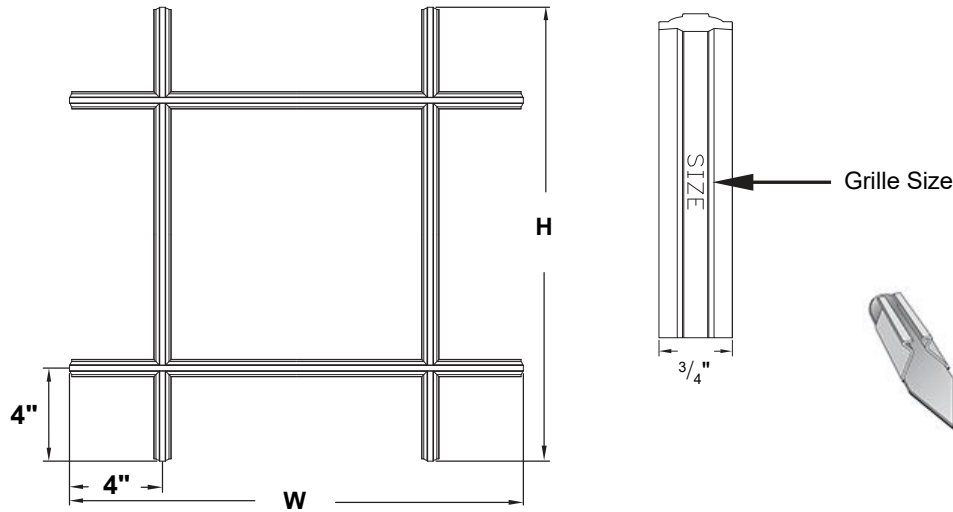
Unit No.	Dimensions (w x h)	Lite Pattern	Color/Finish				
			Exterior				
			White	Terratone®	Sandtone	Forest Green	
Interior							
26	26-210	25 7/32 × 14 7/32		1637186	2777754	1140347	0314186
	26-32/310CU/310RL	25 7/32 × 16 7/32		1637188	2777756	1140349	0314188
	26-36/42CU/42RL	25 7/32 × 18 7/32		1637189	2777757	1140350	0314189
	26-310/46CU/410CU/ 46RL/410RL	25 7/32 × 20 7/32		1637187	2777755	1140348	0314187
	26-42/52CU/52RL	25 7/32 × 22 7/32		1637191	2777759	1140352	0314191
	26-46/56CU/310CL/ 310RU/56RL	25 7/32 × 24 7/32		1637192	2777760	1140353	0314192
	26-410/62CU/42CL/ 42RU/62RL	25 7/32 × 26 7/32		1637190	2777758	1140351	0314190
	26-52/46CL/46RU	25 7/32 × 28 7/32		1637194	2777762	1140355	0314194
	26-510/410CL/410RU	25 7/32 × 32 7/32		1637193	2777761	1140354	0314193
	26-62/52CL/52RU	25 7/32 × 34 7/32		1637196	2777765	1140357	0314196
	26-56CL/56RU	25 7/32 × 36 7/32		1637195	2777763	1140356	0314195

## Grilles / Prairie A

### Interior Grille with Clips - Prairie A / 3/4" Wood Interior (1992 - 5/2010)

**Note:**

Size stamped on exterior on right leg as viewed from exterior. Grilles to be used as both upper and lower grilles. Colors not shown available OBD. See iQ+ for additional detail.



Interior Grilles - 3/4" Prairie A with Clips

Unit No.	Dimensions (w x h)	Lite Pattern	Color/Finish				
			Exterior				
			White	Terratone®	Sandtone	Forest Green	
			Interior				
<b>28</b>	28-210	27 7/32 × 14 7/32		1637197	2777766	1140358	0314197
	28-32/310CU/310RL	27 7/32 × 16 7/32		1637199	2777768	1140360	0314199
	28-36/42CU/42RL	27 7/32 × 18 7/32		1637201	2777769	1140361	0314201
	28-310/46CU/410CU/46RL/410RL	27 7/32 × 20 7/32		1637198	2777767	1140359	0314198
	28-42/52CU/52RL	27 7/32 × 22 7/32		1637203	2777771	1140363	0314203
	28-46/56CU/310CL/310RU/56RL	27 7/32 × 24 7/32		1637204	2777772	1140364	0314204
	28-410/62CU/42CL/42RU/62RL	27 7/32 × 26 7/32		1637202	2777770	1140362	0314202
	28-52/46CL/46RU	27 7/32 × 28 7/32		1637206	2777774	1140366	0314206
	28-510/410CL/410RU	27 7/32 × 32 7/32		1637205	2777773	1140365	0314205
	28-62/52CL/52RU	27 7/32 × 34 7/32		1637208	2777777	1140368	0314208
	28-56CL/56RU	27 7/32 × 36 7/32		1637207	2777775	1140367	0314207

# 400 Series Tilt-Wash (TW) Windows (1992 to Present)

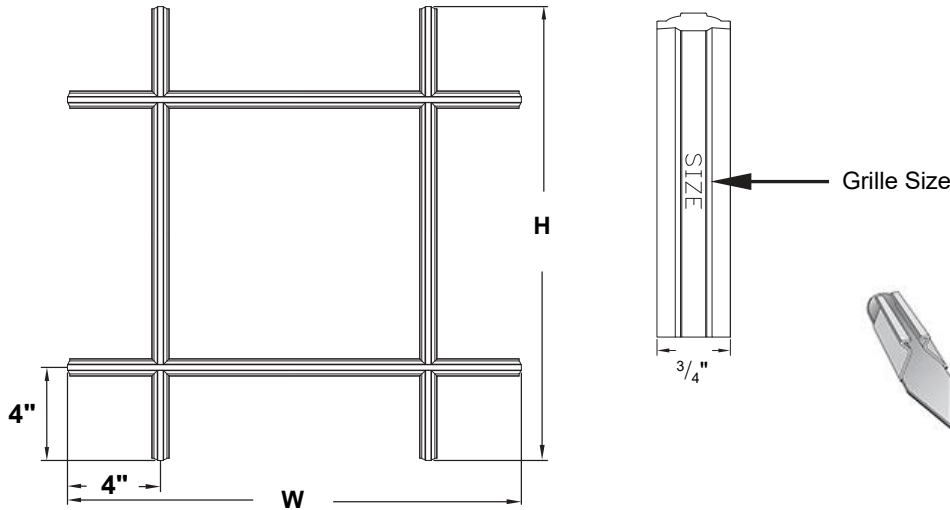
Standard Windows

## Grilles / Prairie A

### Interior Grille with Clips - Prairie A / 3/4" Wood Interior (1992 - 5/2010)

**Note:**

Size stamped on exterior on right leg as viewed from exterior. Grilles to be used as both upper and lower grilles. Colors not shown available OBD. See iQ+ for additional detail.



Interior Grilles - 3/4" Prairie A with Clips

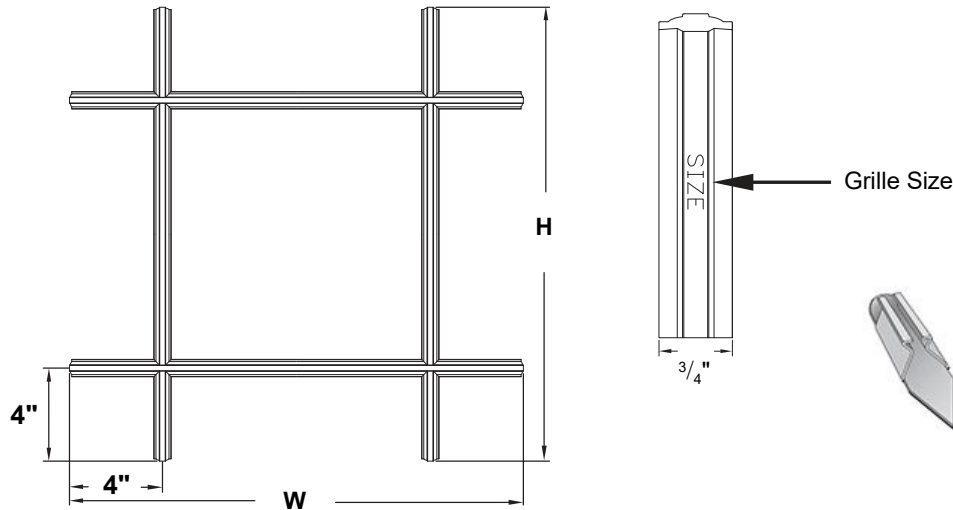
Unit No.	Dimensions (w x h)	Lite Pattern	Color/Finish				
			Exterior				
			White	Terratone®	Sandtone	Forest Green	
Interior							
210	210-210	29 7/32 × 14 7/32		1637164	2777730	1140325	0314164
	210-32/310CU/310RL	29 7/32 × 16 7/32		1637166	2777732	1140327	0314166
	210-36/42CU/42RL	29 7/32 × 18 7/32		1637167	2777733	1140328	0314167
	210-310/46CU/410CU/46RL/410RL	29 7/32 × 20 7/32		1637165	2777731	1140326	0314165
	210-42/52CU/52RL	29 7/32 × 22 7/32		1637169	2777735	1140330	0314169
	210-46/56CU/310CL/310RU/56RL	29 7/32 × 24 7/32		1637170	2777736	1140331	0314170
	210-410/62CU/42CL/42RU/62RL	29 7/32 × 26 7/32		1637168	2777734	1140329	0314168
	210-52/46CL/46RU	29 7/32 × 28 7/32		1637172	2777738	1140333	0314172
	210-510/410CL/410RU	29 7/32 × 32 7/32		1637171	2777737	1140332	0314171
	210-62/52CL/52RU	29 7/32 × 34 7/32		1637174	2777741	1140335	0314174
	210-56CL/56RU	29 7/32 × 36 7/32		1637173	2777739	1140334	0314173

## Grilles / Prairie A

### Interior Grille with Clips - Prairie A / 3/4" Wood Interior (1992 - 5/2010)

**Note:**

Size stamped on exterior on right leg as viewed from exterior. Grilles to be used as both upper and lower grilles. Colors not shown available OBD. See iQ+ for additional detail.



Interior Grilles - 3/4" Prairie A with Clips

Unit No.		Dimensions (w x h)		Lite Pattern		Color/Finish			
						Exterior			
						White	Terratone®	Sandtone	Forest Green
						Interior			
<b>30</b>	30-210	31 7/32	14 7/32		1637209	2777778	1140369	0314209	
	30-32/310CU/310RL	31 7/32	16 7/32		1637211	2777780	1140371	0314211	
	30-36/42CU/42RL	31 7/32	18 7/32		1637212	2777781	1140372	0314212	
	30-310/46CU/410CU/ 46RL/410RL	31 7/32	20 7/32		1637210	2777779	1140370	0314210	
	30-42/52CU/52RL	31 7/32	22 7/32		1637214	2777783	1140374	0314214	
	30-46/56CU/310CL/ 310RU/56RL	31 7/32	24 7/32		1637215	2777784	1140375	0314215	
	30-410/62CU/42CL/ 42RU/62RL	31 7/32	26 7/32		1637213	2777782	1140373	0314213	
	30-52/46CL/46RU	31 7/32	28 7/32		1637217	2777786	1140377	0314217	
	30-510/410CL/410RU	31 7/32	32 7/32		1637216	2777785	1140376	0314216	
	30-62/52CL/52RU	31 7/32	34 7/32		1637219	2777788	1140379	0314219	
30-56CL/56RU	31 7/32	36 7/32	1637218	2777787	1140378	0314218			

# 400 Series Tilt-Wash (TW) Windows (1992 to Present)

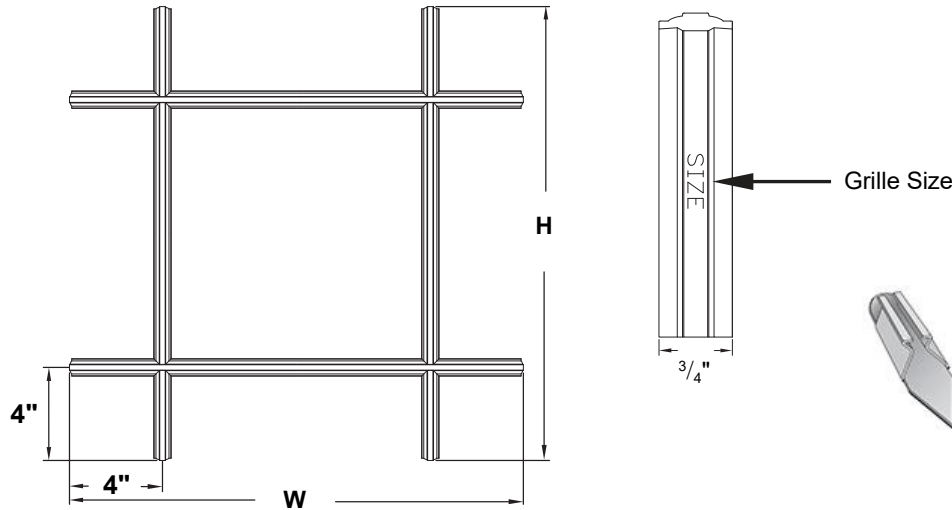
Standard Windows

## Grilles / Prairie A

### Interior Grille with Clips - Prairie A / 3/4" Wood Interior (1992 - 5/2010)

**Note:**

Size stamped on exterior on right leg as viewed from exterior. Grilles to be used as both upper and lower grilles. Colors not shown available OBD. See iQ+ for additional detail.



Interior Grilles - 3/4" Prairie A with Clips

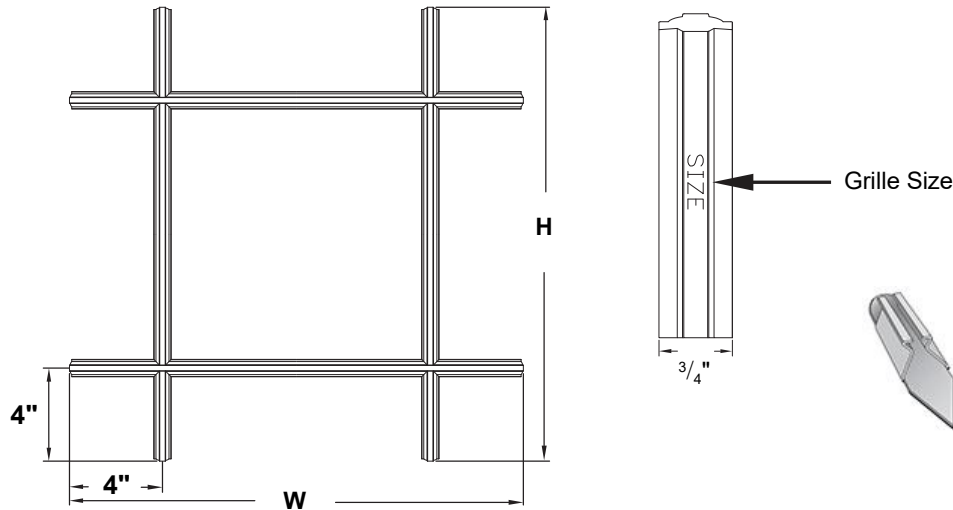
Unit No.	Dimensions (w x h)	Lite Pattern	Color/Finish				
			Exterior				
			White	Terratone®	Sandtone	Forest Green	
			Interior				
<b>34</b>	34-210	35 7/32 × 14 7/32		1637220	2777789	1140380	0314220
	34-32/310CU/310RL	35 7/32 × 16 7/32		1637222	2777791	1140382	0314222
	34-36/42CU/42RL	35 7/32 × 18 7/32		1637223	2777792	1140383	0314223
	34-310/46CU/410CU/46RL/410RL	35 7/32 × 20 7/32		1637221	2777790	1140381	0314221
	34-42/52CU/52RL	35 7/32 × 22 7/32		1637225	2777794	1140385	0314225
	34-46/56CU/310CL/310RU/56RL	35 7/32 × 24 7/32		1637226	2777795	1140386	0314226
	34-410/62CU/42CL/42RU/62RL	35 7/32 × 26 7/32		1637224	2777793	1140384	0314224
	34-52/46CL/46RU	35 7/32 × 28 7/32		1637228	2777797	1140388	0314228
	34-510/410CL/410RU	35 7/32 × 32 7/32		1637227	2777796	1140387	0314227
	34-62/52CL/52RU	35 7/32 × 34 7/32		1637230	2777799	1140390	0314230
	34-56CL/56RU	35 7/32 × 36 7/32		1637229	2777798	1140389	0314229

## Grilles / Prairie A

### Interior Grille with Clips - Prairie A / 3/4" Wood Interior (1992 - 5/2010)

**Note:**

Size stamped on exterior on right leg as viewed from exterior. Grilles to be used as both upper and lower grilles. Colors not shown available OBD. See iQ+ for additional detail.



Interior Grilles - 3/4" Prairie A with Clips

Unit No.		Dimensions (w x h)	Lite Pattern	Color/Finish			
				Exterior			
				White	Terratone®	Sandtone	Forest Green
				Interior			
				[Wood Finish]			
38	38-210	39 7/32 x 14 7/32		1637231	2777801	1140391	0314231
	38-32/310CU/310RL	39 7/32 x 16 7/32		1637233	2777803	1140393	0314233
	38-36/42CU/42RL	39 7/32 x 18 7/32		1637234	2777804	1140394	0314234
	38-310/46CU/410CU/ 46RL/410RL	39 7/32 x 20 7/32		1637232	2777802	1140392	0314232
	38-42/52CU/52RL	39 7/32 x 22 7/32		1637236	2777806	1140396	0314236
	38-46/56CU/310CL/ 310RU/56RL	39 7/32 x 24 7/32		1637237	2777807	1140397	0314237
	38-410/62CU/42CL/ 42RU/62RL	39 7/32 x 26 7/32		1637235	2777805	1140395	0314235
	38-52/46CL/46RU	39 7/32 x 28 7/32		1637239	2777809	1140399	0314239
	38-510/410CL/410RU	39 7/32 x 32 7/32		1637238	2777808	1140398	0314238
	38-62/52CL/52RU	39 7/32 x 34 7/32		1637241	2777811	1140402	0314241
38-56CL/56RU	39 7/32 x 36 7/32	1637240	2777810	1140401	0314240		

# 400 Series Tilt-Wash (TW) Windows (1992 to Present)

Standard Windows

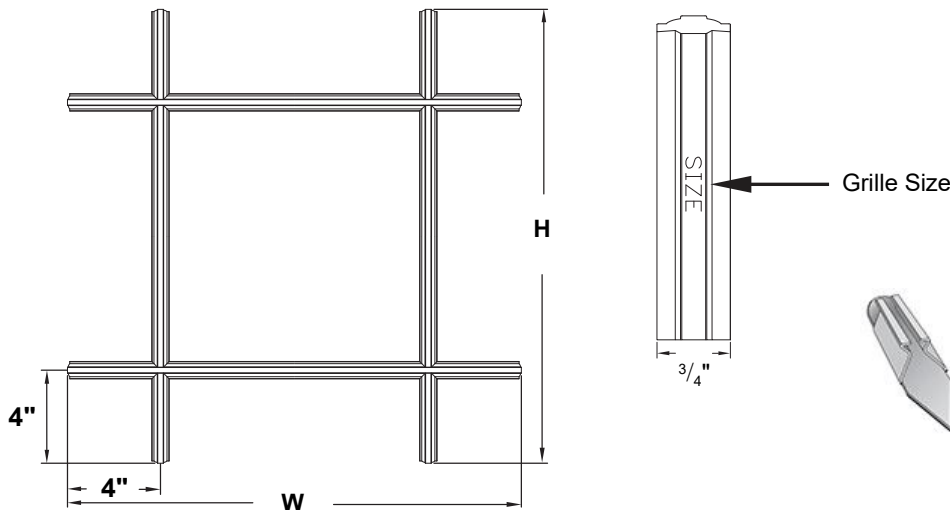
## Grilles / Prairie A

### Upper / Lower / Wood Prefinished Interior w/clips (1992 - 5/2010)

#### Interior Grille with Clips - Prairie A / 3/4" Prefinished Interior (1992 - 5/2010)

**Note:**

Size stamped on exterior on right leg as viewed from exterior. Grilles to be used as both upper and lower grilles. Colors not shown available OBD. See iQ+ for additional detail.



Interior Grilles - 3/4" Prairie A with Clips

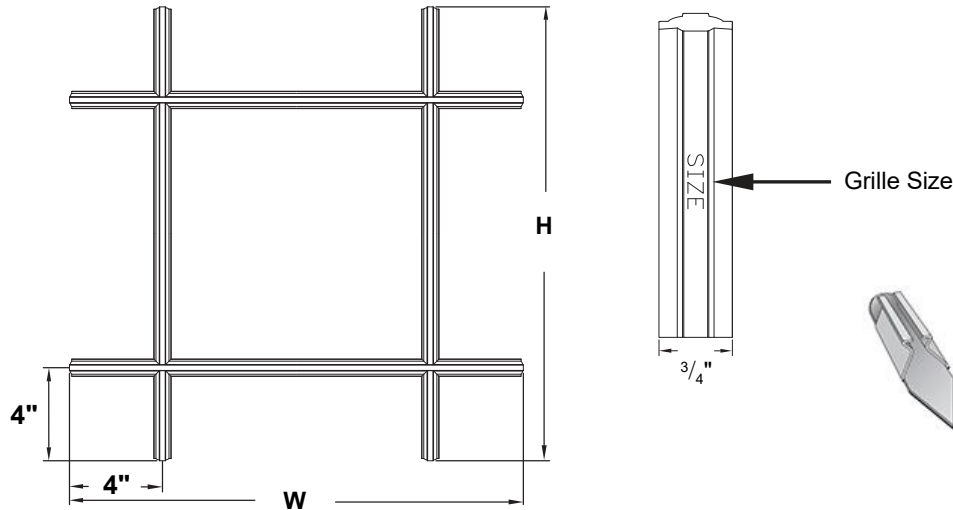
	Unit No.	Dimensions (w x h)	Lite Pattern	Color/Finish			
				Exterior			
				White	Terratone®	Sandtone	Forest Green
				Interior			
				White	Terratone®	Sandtone	Forest Green
<b>18</b>	18-210	15 7/32 × 14 7/32		1636941	2777511	1140102	OBD
	18-32/310CU/310RL	15 7/32 × 16 7/32		1636943	2777513	1140104	OBD
	18-36/42CU/42RL	15 7/32 × 18 7/32		1636944	2777514	1140105	OBD
	18-310/46CU/410CU/46RL/410RL	15 7/32 × 20 7/32		1636942	2777512	1140103	OBD
	18-42/52CU/52RL	15 7/32 × 22 7/32		1636946	2777516	1140107	OBD
	18-46/56CU/310CL/310RU/56RL	15 7/32 × 24 7/32		1636947	2777517	1140108	OBD
	18-410/62CU/42CL/42RU/62RL	15 7/32 × 26 7/32		1636945	2777515	1140106	OBD
	18-52/46CL/46RU	15 7/32 × 28 7/32		1636949	2777519	1140110	OBD
	18-510/410CL/410RU	15 7/32 × 32 7/32		1636948	2777518	1140109	OBD
	18-62/52CL/52RU	15 7/32 × 34 7/32		1636951	2777521	1140112	OBD
	18-56CL/56RU	15 7/32 × 36 7/32		1636950	2777520	1140111	OBD

## Grilles / Prairie A

### Interior Grille with Clips - Prairie A / 3/4" Prefinished Interior (1992 - 5/2010)

**Note:**

Size stamped on exterior on right leg as viewed from exterior. Grilles to be used as both upper and lower grilles. Colors not shown available OBD. See iQ+ for additional detail.



Interior Grilles - 3/4" Prairie A with Clips

				Color/Finish			
				Exterior			
				White	Terratone®	Sandtone	Forest Green
				Interior			
				White	Terratone®	Sandtone	Forest Green
Unit No.	Dimensions (w x h)	Lite Pattern		White	Terratone®	Sandtone	Forest Green
20	20-210	19 7/32 x 14 7/32		1636952	2777522	1140113	OBD
	20-32/310CU/310RL	19 7/32 x 16 7/32		1636954	2777524	1140115	OBD
	20-36/42CU/42RL	19 7/32 x 18 7/32		1636955	2777525	1140116	OBD
	20-310/46CU/410CU/46RL/410RL	19 7/32 x 20 7/32		1636953	2777523	1140114	OBD
	20-42/52CU/52RL	19 7/32 x 22 7/32		1636957	2777527	1140118	OBD
	20-46/56CU/310CL/310RU/56RL	19 7/32 x 24 7/32		1636958	2777528	1140119	OBD
	20-410/62CU/42CL/42RU/62RL	19 7/32 x 26 7/32		1636956	2777526	1140117	OBD
	20-52/46CL/46RU	19 7/32 x 28 7/32		1636960	2777530	1140121	OBD
	20-510/410CL/410RU	19 7/32 x 32 7/32		1636959	2777529	1140120	OBD
	20-62/52CL/52RU	19 7/32 x 34 7/32		1636962	2777532	1140123	OBD
	20-56CL/56RU	19 7/32 x 36 7/32		1636961	2777531	1140122	OBD



# 400 Series Tilt-Wash (TW) Windows (1992 to Present)

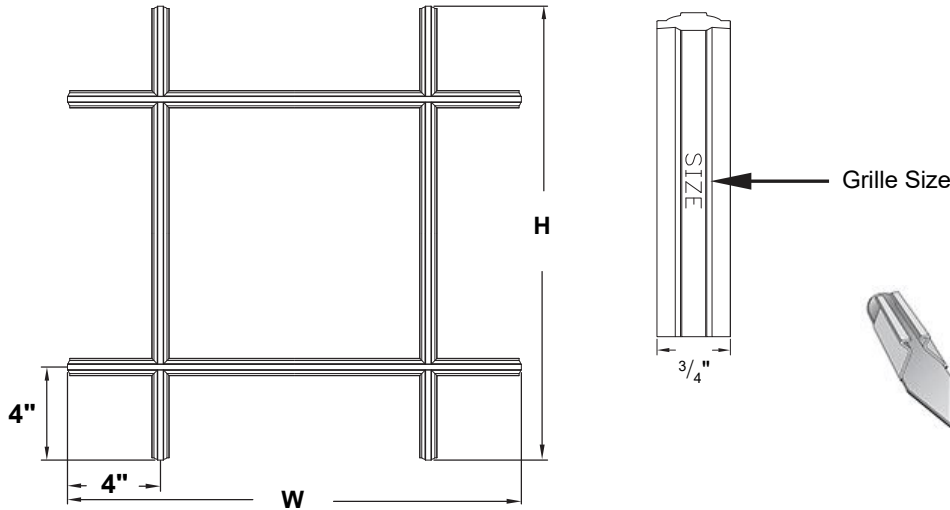
Standard Windows

## Grilles / Prairie A

### Interior Grille with Clips - Prairie A / 3/4" Prefinished Interior (1992 - 5/2010)

**Note:**

Size stamped on exterior on right leg as viewed from exterior. Grilles to be used as both upper and lower grilles. Colors not shown available OBD. See iQ+ for additional detail.



Interior Grilles - 3/4" Prairie A with Clips

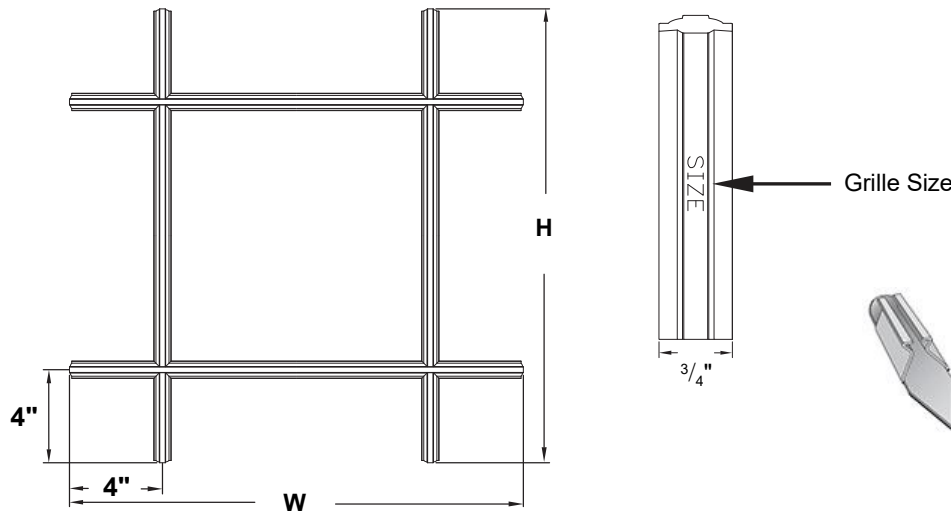
Unit No.	Dimensions (w x h)	Lite Pattern	Color/Finish				
			Exterior				
			White	Terratone®	Sandtone	Forest Green	
Interior							
White	Terratone®	Sandtone	Forest Green				
24	24-210	23 7/32 × 14 7/32		1636974	2777544	1140135	OBD
	24-32/310CU/310RL	23 7/32 × 16 7/32		1636976	2777546	1140137	OBD
	24-36/42CU/42RL	23 7/32 × 18 7/32		1636977	2777547	1140138	OBD
	24-310/46CU/410CU/46RL/410RL	23 7/32 × 20 7/32		1636975	2777545	1140136	OBD
	24-42/52CU/52RL	23 7/32 × 22 7/32		1636979	2777549	1140140	OBD
	24-46/56CU/310CL/310RU/56RL	23 7/32 × 24 7/32		1636980	2777550	1140141	OBD
	24-410/62CU/42CL/42RU/62RL	23 7/32 × 26 7/32		1636978	2777548	1140139	OBD
	24-52/46CL/46RU	23 7/32 × 28 7/32		1636982	2777552	1140143	OBD
	24-510/410CL/410RU	23 7/32 × 32 7/32		1636981	2777551	1140142	OBD
	24-62/52CL/52RU	23 7/32 × 34 7/32		1636984	2777554	1140145	OBD
24-56CL/56RU	23 7/32 × 36 7/32	1636983	2777553	1140144	OBD		

## Grilles / Prairie A

### Interior Grille with Clips - Prairie A / 3/4" Prefinished Interior (1992 - 5/2010)

**Note:**

Size stamped on exterior on right leg as viewed from exterior. Grilles to be used as both upper and lower grilles. Colors not shown available OBD. See iQ+ for additional detail.



Interior Grilles - 3/4" Prairie A with Clips

				Color/Finish			
				Exterior			
				White	Terratone®	Sandtone	Forest Green
				Interior			
				White	Terratone®	Sandtone	Forest Green
Unit No.	Dimensions (w x h)	Lite Pattern	White	Terratone®	Sandtone	Forest Green	
26	26-210		1636985	2777555	1140146	OBD	
	26-32/310CU/310RL		1636987	2777557	1140148	OBD	
	26-36/42CU/42RL		1636988	2777558	1140149	OBD	
	26-310/46CU/410CU/46RL/410RL		1636986	2777556	1140147	OBD	
	26-42/52CU/52RL		1636990	2777560	1140151	OBD	
	26-46/56CU/310CL/310RU/56RL		1636991	2777561	1140152	OBD	
	26-410/62CU/42CL/42RU/62RL		1636989	2777559	1140150	OBD	
	26-52/46CL/46RU		1636993	2777563	1140154	OBD	
	26-510/410CL/410RU		1636992	2777562	1140153	OBD	
	26-62/52CL/52RU		1636995	2777565	1140156	OBD	
	26-56CL/56RU		1636994	2777564	1140155	OBD	

# 400 Series Tilt-Wash (TW) Windows (1992 to Present)

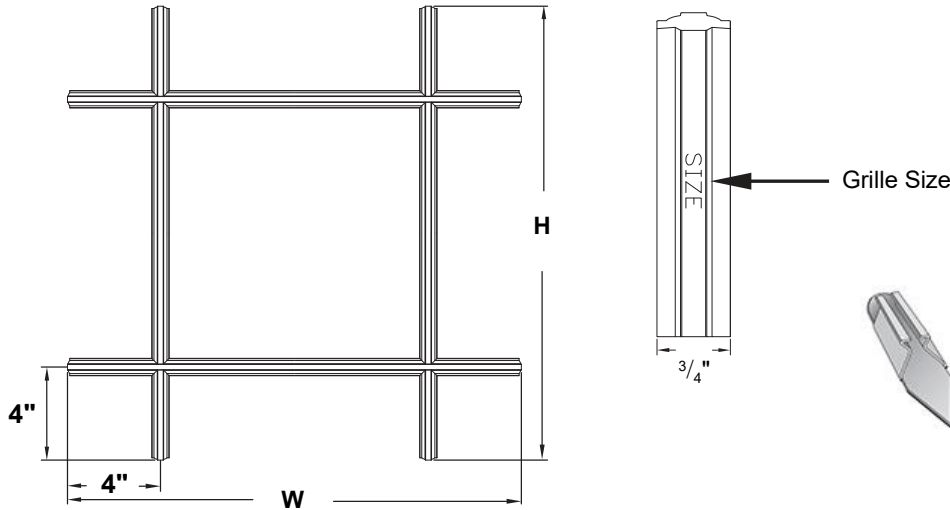
Standard Windows

## Grilles / Prairie A

### Interior Grille with Clips - Prairie A / 3/4" Prefinished Interior (1992 - 5/2010)

**Note:**

Size stamped on exterior on right leg as viewed from exterior. Grilles to be used as both upper and lower grilles. Colors not shown available OBD. See iQ+ for additional detail.



Interior Grilles - 3/4" Prairie A with Clips

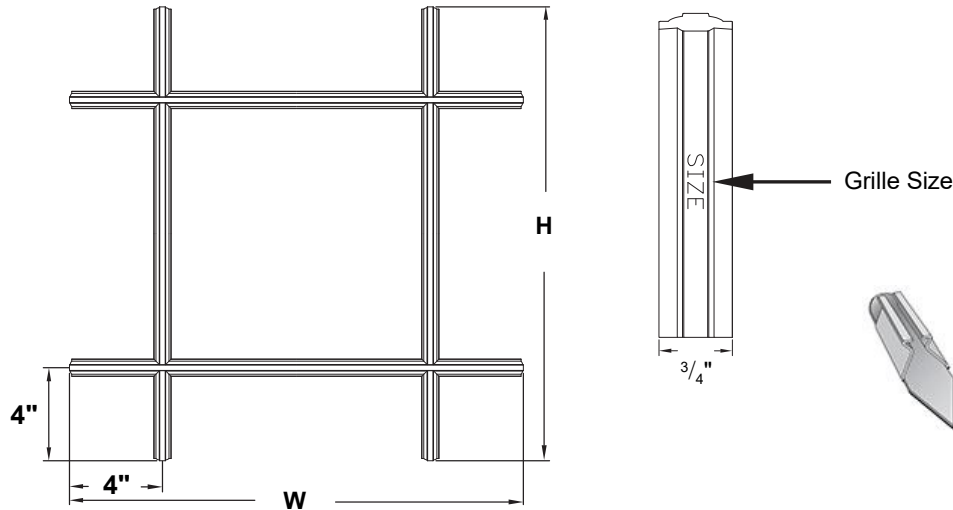
	Unit No.	Dimensions (w x h)	Lite Pattern	Color/Finish			
				Exterior			
				White	Terratone®	Sandtone	Forest Green
				Interior			
				White	Terratone®	Sandtone	Forest Green
28	28-210	27 7/32 × 14 7/32		1636996	2777566	1140157	OBD
	28-32/310CU/310RL	27 7/32 × 16 7/32		1636998	2777568	1140159	OBD
	28-36/42CU/42RL	27 7/32 × 18 7/32		1636999	2777569	1140160	OBD
	28-310/46CU/410CU/46RL/410RL	27 7/32 × 20 7/32		1636997	2777567	1140158	OBD
	28-42/52CU/52RL	27 7/32 × 22 7/32		1637002	2777571	1140162	OBD
	28-46/56CU/310CL/310RU/56RL	27 7/32 × 24 7/32		1637003	2777572	1140163	OBD
	28-410/62CU/42CL/42RU/62RL	27 7/32 × 26 7/32		1637001	2777570	1140161	OBD
	28-52/46CL/46RU	27 7/32 × 28 7/32		1637005	2777574	1140165	OBD
	28-510/410CL/410RU	27 7/32 × 32 7/32		1637004	2777573	1140164	OBD
	28-62/52CL/52RU	27 7/32 × 34 7/32		1637007	2777576	1140167	OBD
	28-56CL/56RU	27 7/32 × 36 7/32		1637006	2777575	1140166	OBD

## Grilles / Prairie A

### Interior Grille with Clips - Prairie A / 3/4" Prefinished Interior (1992 - 5/2010)

**Note:**

Size stamped on exterior on right leg as viewed from exterior. Grilles to be used as both upper and lower grilles. Colors not shown available OBD. See iQ+ for additional detail.



Interior Grilles - 3/4" Prairie A with Clips

				Color/Finish			
				Exterior			
				White	Terratone®	Sandtone	Forest Green
				Interior			
				White	Terratone®	Sandtone	Forest Green
Unit No.	Dimensions (w x h)	Lite Pattern		White	Terratone®	Sandtone	Forest Green
<b>210</b>	210-210	29 7/32 x 14 7/32		1636963	2777533	1140124	OBD
	210-32/310CU/310RL	29 7/32 x 16 7/32		1636965	2777535	1140126	OBD
	210-36/42CU/42RL	29 7/32 x 18 7/32		1636966	2777536	1140127	OBD
	210-310/46CU/410CU/46RL/410RL	29 7/32 x 20 7/32		1636964	2777534	1140125	OBD
	210-42/52CU/52RL	29 7/32 x 22 7/32		1636968	2777538	1140142	OBD
	210-46/56CU/310CL/310RU/56RL	29 7/32 x 24 7/32		1636969	2777539	1140130	OBD
	210-410/62CU/42CL/42RU/62RL	29 7/32 x 26 7/32		1636967	2777537	1140128	OBD
	210-52/46CL/46RU	29 7/32 x 28 7/32		1636971	2777541	1140132	OBD
	210-510/410CL/410RU	29 7/32 x 32 7/32		1636970	2777540	1140131	OBD
	210-62/52CL/52RU	29 7/32 x 34 7/32		1636973	2777543	1140134	OBD
210-56CL/56RU	29 7/32 x 36 7/32	1636972	2777542	1140133	OBD		

# 400 Series Tilt-Wash (TW) Windows (1992 to Present)

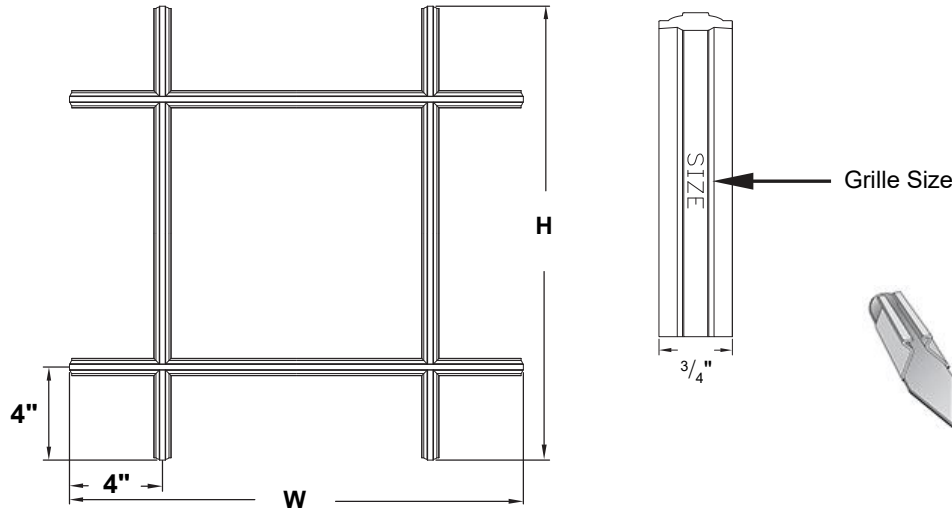
Standard Windows

## Grilles / Prairie A

### Interior Grille with Clips - Prairie A / 3/4" Prefinished Interior (1992 - 5/2010)

**Note:**

Size stamped on exterior on right leg as viewed from exterior. Grilles to be used as both upper and lower grilles. Colors not shown available OBD. See iQ+ for additional detail.



Interior Grilles - 3/4" Prairie A with Clips

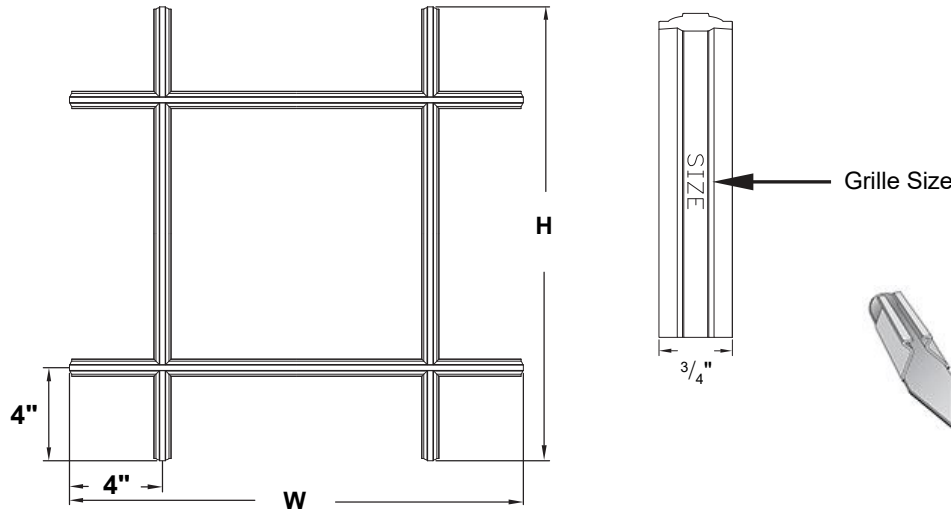
	Unit No.	Dimensions (w x h)	Lite Pattern	Color/Finish			
				Exterior			
				White	Terratone®	Sandtone	Forest Green
				Interior			
				White	Terratone®	Sandtone	Forest Green
<b>30</b>	30-210	31 7/32 × 14 7/32		1637008	2777577	1140168	OBD
	30-32/310CU/310RL	31 7/32 × 16 7/32		1637010	2777579	1140170	OBD
	30-36/42CU/42RL	31 7/32 × 18 7/32		1637011	2777580	1140171	OBD
	30-310/46CU/410CU/ 46RL/410RL	31 7/32 × 20 7/32		1637009	2777578	1140169	OBD
	30-42/52CU/52RL	31 7/32 × 22 7/32		1637013	2777582	1140173	OBD
	30-46/56CU/310CL/ 310RU/56RL	31 7/32 × 24 7/32		1637014	2777583	1140174	OBD
	30-410/62CU/42CL/ 42RU/62RL	31 7/32 × 26 7/32		1637012	2777581	1140172	OBD
	30-52/46CL/46RU	31 7/32 × 28 7/32		1637016	2777585	1140176	OBD
	30-510/410CL/410RU	31 7/32 × 32 7/32		1637015	2777584	1140175	OBD
	30-62/52CL/52RU	31 7/32 × 34 7/32		1637018	2777587	1140178	OBD
	30-56CL/56RU	31 7/32 × 36 7/32		1637017	2777586	1140177	OBD

## Grilles / Prairie A

### Interior Grille with Clips - Prairie A / 3/4" Prefinished Interior (1992 - 5/2010)

**Note:**

Size stamped on exterior on right leg as viewed from exterior. Grilles to be used as both upper and lower grilles. Colors not shown available OBD. See iQ+ for additional detail.



Interior Grilles - 3/4" Prairie A with Clips

				Color/Finish			
				Exterior			
				White	Terratone®	Sandtone	Forest Green
				Interior			
				White	Terratone®	Sandtone	Forest Green
Unit No.	Dimensions (w x h)	Lite Pattern		White	Terratone®	Sandtone	Forest Green
<b>34</b>	34-210	35 7/32 × 14 7/32		1637019	2777588	1140179	OBD
	34-32/310CU/310RL	35 7/32 × 16 7/32		1637021	2777590	1140181	OBD
	34-36/42CU/42RL	35 7/32 × 18 7/32		1637022	2777591	1140182	OBD
	34-310/46CU/410CU/46RL/410RL	35 7/32 × 20 7/32		1637020	2777589	1140180	OBD
	34-42/52CU/52RL	35 7/32 × 22 7/32		1637024	2777593	1140184	OBD
	34-46/56CU/310CL/310RU/56RL	35 7/32 × 24 7/32		1637025	2777594	1140185	OBD
	34-410/62CU/42CL/42RU/62RL	35 7/32 × 26 7/32		1637023	2777592	1140183	OBD
	34-52/46CL/46RU	35 7/32 × 28 7/32		1637027	2777596	1140187	OBD
	34-510/410CL/410RU	35 7/32 × 32 7/32		1637026	2777595	1140186	OBD
	34-62/52CL/52RU	35 7/32 × 34 7/32		1637029	2777598	1140189	OBD
	34-56CL/56RU	35 7/32 × 36 7/32		1637028	2777597	1140188	OBD

# 400 Series Tilt-Wash (TW) Windows (1992 to Present)

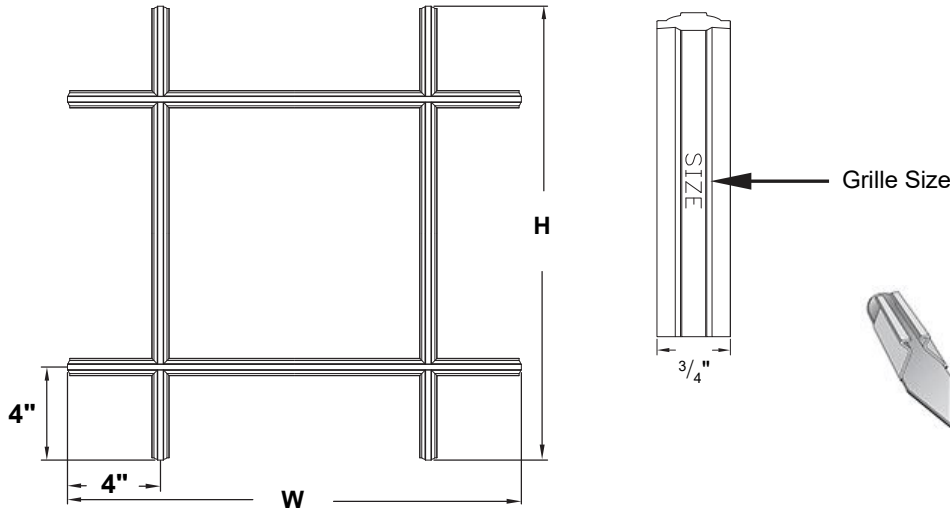
Standard Windows

## Grilles / Prairie A

### Interior Grille with Clips - Prairie A / 3/4" Prefinished Interior (1992 - 5/2010)

**Note:**

Size stamped on exterior on right leg as viewed from exterior. Grilles to be used as both upper and lower grilles. Colors not shown available OBD. See iQ+ for additional detail.



Interior Grilles - 3/4" Prairie A with Clips

Unit No.		Dimensions (w x h)		Lite Pattern		Color/Finish			
						Exterior			
						White	Terratone®	Sandtone	Forest Green
38						Interior			
						White	Terratone®	Sandtone	Forest Green
38-210	39 7/32 × 14 7/32			1637030	2777599	1140190	OBD		
38-32/310CU/310RL	39 7/32 × 16 7/32			1637032	2777602	1140192	OBD		
38-36/42CU/42RL	39 7/32 × 18 7/32			1637033	2777603	1140193	OBD		
38-310/46CU/410CU/ 46RL/410RL	39 7/32 × 20 7/32			1637031	2777601	1140191	OBD		
38-42/52CU/52RL	39 7/32 × 22 7/32			1637035	2777605	1140195	OBD		
38-46/56CU/310CL/ 310RU/56RL	39 7/32 × 24 7/32			1637036	2777606	1140196	OBD		
38-410/62CU/42CL/ 42RU/62RL	39 7/32 × 26 7/32			1637034	2777604	1140194	OBD		
38-52/46CL/46RU	39 7/32 × 28 7/32			1637038	2777608	1140198	OBD		
38-510/410CL/410RU	39 7/32 × 32 7/32			1637037	2777607	1140197	OBD		
38-62/52CL/52RU	39 7/32 × 34 7/32			1637040	2777610	1140201	OBD		
38-56CL/56RU	39 7/32 × 36 7/32			1637039	2777609	1140199	OBD		

## Grilles / Prairie A

Interior Grille Parts			
Fastener - Grille Plunger			
		<b>Order No.</b>	
		1630038	
Fastener - Grille Plunger (Impact Resistant)			
	<b>Note:</b> Use for grilles applied to Stormwatch units manufactured after 9/20/09. Use for grilles applied to TW, DHP and TWT manufactured after 5/10/10.	<b>Order No.</b>	
		1344401	
Fastener - Grille (1985)			
	<b>Note:</b> Use this grille clip for all custom wood grilles.	<b>Color</b>	<b>Order No.</b>
		White	1974310
		Terratone®	2601210
		Sandtone	8154120
		Forest Green	9046244

Installation Guide/Aid		
<b>Note:</b> Grilles include fasteners. <a href="#">See Accessory Guide 9033637.</a>		
		<b>Order No.</b>
		9033637

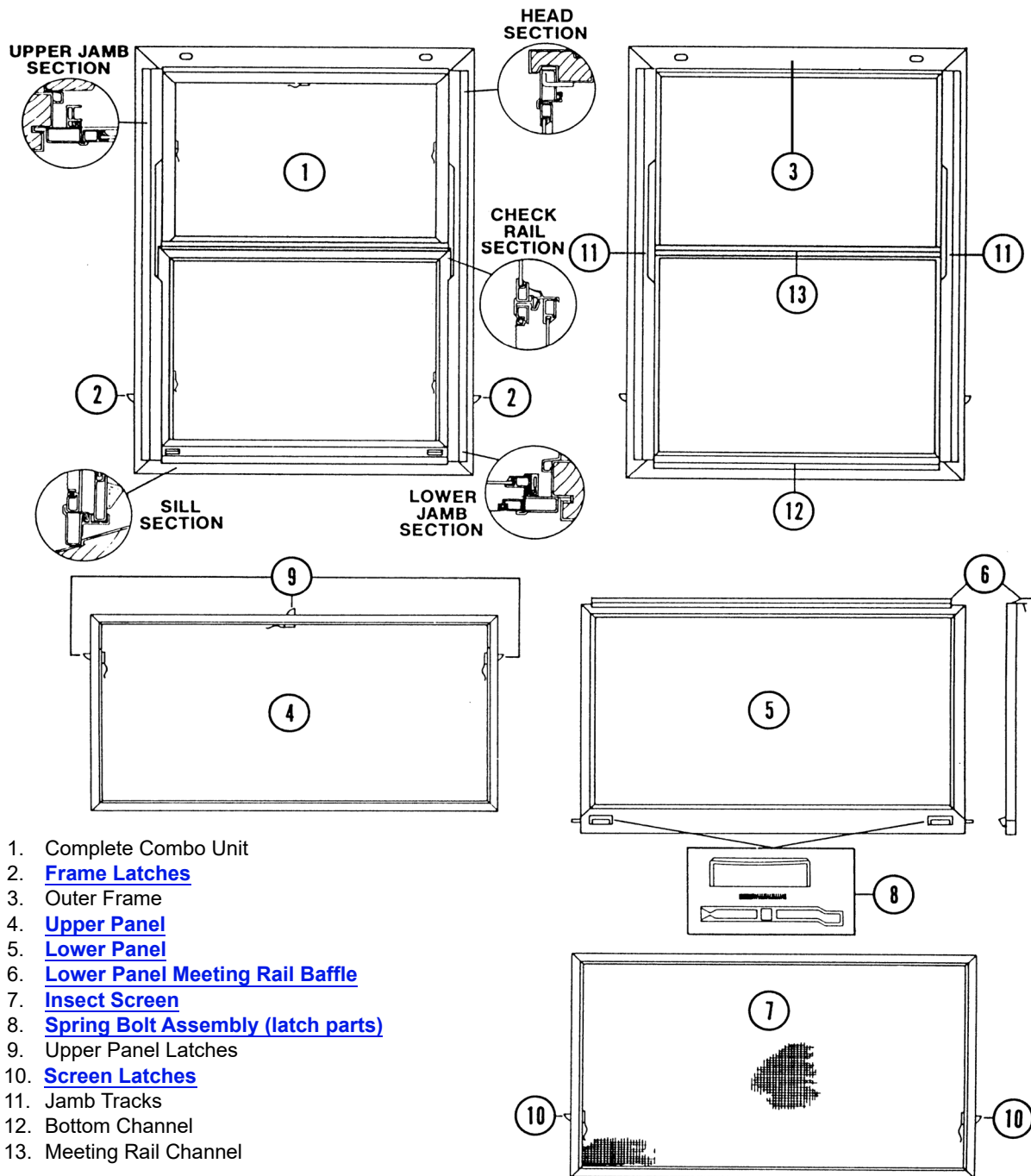


## Combination Units

### Double-Hung Combination Unit Illustration

**Note:**

See [Accessory Guide 0003003](#). See [Installation Video](#).



1. Complete Combo Unit
2. [Frame Latches](#)
3. Outer Frame
4. [Upper Panel](#)
5. [Lower Panel](#)
6. [Lower Panel Meeting Rail Baffle](#)
7. [Insect Screen](#)
8. [Spring Bolt Assembly \(latch parts\)](#)
9. Upper Panel Latches
10. [Screen Latches](#)
11. Jamb Tracks
12. Bottom Channel
13. Meeting Rail Channel

**Tilt-Wash Double-Hung Combination Unit**

## Combination Units

### Combination Unit - Double-Hung

**Note:**

In 1994 the Narroline combination unit was modified for TW units and the name was changed to the Double-Hung combination. Double Hung Combination units are not recommended for installation on Tilt Wash units with HDN exterior bead or grilles. Lower panel lift handle may interfere with the HDN sash bead and grille on the upper sash. Factory applied combination units marketed as Performance Panel beginning 10/2023. See [Dealer News 33.23](#)

### Combination Unit - Double-Hung Ref No. 1 [page 305](#)

Unit No.	Dimensions (w x h)	White	Terra-tone®	Sandtone	Forest Green	Canvas	Dark Bronze	Black	
18	DH18210	19 13/16 x 34 27/32	1610201	2710201	1149101	9204358	9204421	9204097	9204096
	DH1832	19 13/16 x 38 27/32	1610202	2710202	1149102	9204422	9204359	9204099	9204098
	DH1836	19 13/16 x 42 27/32	1610257	9203917	9203916	9204477	9204476	9203919	9203918
	DH18310	19 13/16 x 46 27/32	1610203	2710203	1149103	9204423	9204360	9204101	9204100
	DH1842	19 13/16 x 50 27/32	1610204	2710204	1149104	9204424	9204361	9204103	9204102
	DH1846	19 13/16 x 54 27/32	1610205	2710205	1149105	9204425	9204362	9204105	9204104
	DH18410	19 13/16 x 58 27/32	1610258	9203921	9203920	9204479	9204478	9203923	9203922
	DH1852	19 13/16 x 62 27/32	1610206	2710206	1149106	9204426	9204363	9204107	9204106
	DH1856C	19 13/16 x 66 27/32	1610207	2710207	1149107	9204427	9204364	9204109	9204108
	DH1856E	19 13/16 x 66 27/32	1610571	2710257	1149157	9204562	9204414	9204206	9204205
	DH18510	19 13/16 x 70 27/32	1610259	9203925	9203924	9204481	9204480	9203927	9203926
DH1862	19 13/16 x 74 27/32	1610208	2710208	1149108	9204428	9204365	9204111	9204110	
20	DH20210	23 13/16 x 34 27/32	1610209	2710209	1149109	9204429	9204366	9204113	9204112
	DH2032	23 13/16 x 38 27/32	1610210	2710210	1149110	9204430	9204367	9203914	9204114
	DH2036	23 13/16 x 42 27/32	1610260	9203929	9203928	9204483	9204482	9203931	9203930
	DH20310	23 13/16 x 46 27/32	1610211	2710211	1149111	9204431	9204368	9204116	9204115
	DH2042	23 13/16 x 50 27/32	1610212	2710212	1149112	9204432	9204369	9204118	9204117
	DH2046	23 13/16 x 54 27/32	1610213	2710213	1149113	9204433	9204370	9203915	9204119
	DH20410	23 13/16 x 58 27/32	1610261	9203933	9203932	9204485	9204484	9203935	9203934
	DH2052	23 13/16 x 62 27/32	1610214	2710214	1149114	9204434	9204371	9204121	9204120
	DH2056C	23 13/16 x 66 27/32	1610215	2710215	1149115	9204435	9204372	9204123	9204122
	DH2056E	23 13/16 x 66 27/32	1610572	2710258	1149158	9204563	9204415	9204208	9204207
	DH20510	23 13/16 x 70 27/32	1610262	9203937	9203936	9204487	9204486	9203939	9203938
DH2062	23 13/16 x 74 27/32	1610216	2710216	1149116	9204436	9204373	9204125	9204124	

# 400 Series Tilt-Wash (TW) Windows (1992 to Present)

Standard Windows

## Combination Units

Combination Unit - Double-Hung Ref No. 1 <a href="#">page 305</a>									
Unit No.	Dimensions (w x h)	White	Terra- tone®	Sandtone	Forest Green	Canvas	Dark Bronze	Black	
<b>24</b>	DH24210	27 <sup>13</sup> / <sub>16</sub> × 34 <sup>27</sup> / <sub>32</sub>	1610217	2710217	1149117	9204437	9204374	9204127	9204126
	DH2432	27 <sup>13</sup> / <sub>16</sub> × 38 <sup>27</sup> / <sub>32</sub>	1610218	2710218	1149118	9204438	9204375	9204129	9204128
	DH2436	27 <sup>13</sup> / <sub>16</sub> × 42 <sup>27</sup> / <sub>32</sub>	1610263	9203941	9203940	9204489	9204488	9203943	9203942
	DH24310	27 <sup>13</sup> / <sub>16</sub> × 46 <sup>27</sup> / <sub>32</sub>	1610219	2710219	1149119	9204439	9204376	9204131	9204130
	DH2442	27 <sup>13</sup> / <sub>16</sub> × 50 <sup>27</sup> / <sub>32</sub>	1610220	2710220	1149120	9204440	9204377	9204133	9204132
	DH2446	27 <sup>13</sup> / <sub>16</sub> × 54 <sup>27</sup> / <sub>32</sub>	1610221	2710221	1149121	9204441	9204378	9204135	9204134
	DH24410	27 <sup>13</sup> / <sub>16</sub> × 58 <sup>27</sup> / <sub>32</sub>	1610264	9203945	9203944	9204491	9204490	9203947	9203946
	DH2452	27 <sup>13</sup> / <sub>16</sub> × 62 <sup>27</sup> / <sub>32</sub>	1610222	2710222	1149122	9204442	9204379	9204137	9204136
	DH2456C	27 <sup>13</sup> / <sub>16</sub> × 66 <sup>27</sup> / <sub>32</sub>	1610223	2710223	1149123	9204443	9204380	9204139	9204138
	DH2456E	27 <sup>13</sup> / <sub>16</sub> × 66 <sup>27</sup> / <sub>32</sub>	1610573	2710259	1149159	9204564	9204416	9204210	9204209
	DH24510	27 <sup>13</sup> / <sub>16</sub> × 70 <sup>27</sup> / <sub>32</sub>	1610265	9203949	9203948	9204493	9204492	9203951	9203950
DH2462	27 <sup>13</sup> / <sub>16</sub> × 74 <sup>27</sup> / <sub>32</sub>	1610224	2710224	1149124	9204444	9204381	9204141	9204140	
<b>26</b>	DH26210	29 <sup>13</sup> / <sub>16</sub> × 34 <sup>27</sup> / <sub>32</sub>	1610266	9203953	9203952	9204495	9204494	9203955	9203954
	DH2632	29 <sup>13</sup> / <sub>16</sub> × 38 <sup>27</sup> / <sub>32</sub>	1610267	9203957	9203956	9204497	9204496	9203959	9203958
	DH2636	29 <sup>13</sup> / <sub>16</sub> × 42 <sup>27</sup> / <sub>32</sub>	1610268	9203961	9203960	9204499	9204498	9203963	9203962
	DH26310	29 <sup>13</sup> / <sub>16</sub> × 46 <sup>27</sup> / <sub>32</sub>	1610269	9203965	9203964	9204501	9204500	9203967	9203966
	DH2642	29 <sup>13</sup> / <sub>16</sub> × 50 <sup>27</sup> / <sub>32</sub>	1610270	9203969	9203968	9204503	9204502	9203971	9203970
	DH2646	29 <sup>13</sup> / <sub>16</sub> × 54 <sup>27</sup> / <sub>32</sub>	1610271	9203973	9203972	9204505	9204504	9203975	9203974
	DH26410	29 <sup>13</sup> / <sub>16</sub> × 58 <sup>27</sup> / <sub>32</sub>	1610272	9203977	9203976	9204507	9204506	9203979	9203978
	DH2652	29 <sup>13</sup> / <sub>16</sub> × 62 <sup>27</sup> / <sub>32</sub>	1610273	9203981	9203980	9204509	9204508	9203983	9203982
	DH2656C	29 <sup>13</sup> / <sub>16</sub> × 66 <sup>27</sup> / <sub>32</sub>	1610274	9203985	9203984	9204511	9204510	9203987	9203986
	DH2656E	29 <sup>13</sup> / <sub>16</sub> × 66 <sup>27</sup> / <sub>32</sub>	1610578	9204089	9204088	9204570	9204569	9204091	9204090
	DH26510	29 <sup>13</sup> / <sub>16</sub> × 70 <sup>27</sup> / <sub>32</sub>	1610275	9203989	9203988	9204513	9204512	9203991	9203990
DH2662	29 <sup>13</sup> / <sub>16</sub> × 74 <sup>27</sup> / <sub>32</sub>	1610276	9203993	9203992	9204515	9204514	9203995	9203994	
<b>28</b>	DH28210	31 <sup>13</sup> / <sub>16</sub> × 34 <sup>27</sup> / <sub>32</sub>	1610225	2710225	1149125	9204445	9204382	9204143	9204142
	DH2832	31 <sup>13</sup> / <sub>16</sub> × 38 <sup>27</sup> / <sub>32</sub>	1610226	2710226	1149126	9204446	9204383	9204145	9204144
	DH2836	31 <sup>13</sup> / <sub>16</sub> × 42 <sup>27</sup> / <sub>32</sub>	1610277	9203997	9203996	9204517	9204516	9203999	9203998
	DH28310	31 <sup>13</sup> / <sub>16</sub> × 46 <sup>27</sup> / <sub>32</sub>	1610227	2710227	1149127	9204447	9204384	9204147	9204146
	DH2842	31 <sup>13</sup> / <sub>16</sub> × 50 <sup>27</sup> / <sub>32</sub>	1610228	2710228	1149128	9204573	9204385	9204148	9203913
	DH2846	31 <sup>13</sup> / <sub>16</sub> × 54 <sup>27</sup> / <sub>32</sub>	1610229	2710229	1149129	9204386	9204448	9204150	9204149
	DH28410	31 <sup>13</sup> / <sub>16</sub> × 58 <sup>27</sup> / <sub>32</sub>	1610278	9204001	9204000	9204519	9204518	9204003	9204002
	DH2852	31 <sup>13</sup> / <sub>16</sub> × 62 <sup>27</sup> / <sub>32</sub>	1610230	2710230	1149130	9204387	9204449	9204152	9204151
	DH2856C	31 <sup>13</sup> / <sub>16</sub> × 66 <sup>27</sup> / <sub>32</sub>	1610231	2710231	1149131	9204388	9204450	9204154	9204153
	DH2856E	31 <sup>13</sup> / <sub>16</sub> × 66 <sup>27</sup> / <sub>32</sub>	1610574	2710260	1149160	9204417	9204565	9204212	9204211
	DH28510	31 <sup>13</sup> / <sub>16</sub> × 70 <sup>27</sup> / <sub>32</sub>	1610279	9204005	9204004	9204521	9204520	9204007	9204006
DH2862	31 <sup>13</sup> / <sub>16</sub> × 74 <sup>27</sup> / <sub>32</sub>	1610232	2710232	1149132	9204389	9204451	9204156	9204155	

## Combination Units

Combination Unit - Double-Hung Ref No. 1 <a href="#">page 305</a>									
Unit No.	Dimensions (w x h)	White	Terra-tone®	Sandtone	Forest Green	Canvas	Dark Bronze	Black	
<b>210</b>	DH210210	33 13/16 x 34 27/32	1610280	9204009	9204008	9204523	9204522	9204011	9204010
	DH21032	33 13/16 x 38 27/32	1610281	9204013	9204012	9204525	9204524	9204015	9204014
	DH21036	33 13/16 x 42 27/32	1610282	9204017	9204016	9204527	9204526	9204019	9204018
	DH210310	33 13/16 x 46 27/32	1610283	9204021	9204020	9204529	9204528	9204023	9204022
	DH21042	33 13/16 x 50 27/32	1610284	9204025	9204024	9204531	9204530	9204027	9204026
	DH21046	33 13/16 x 54 27/32	1610285	9204029	9204028	9204533	9204532	9204031	9204030
	DH210410	33 13/16 x 58 27/32	1610286	9204033	9204032	9204535	9204534	9204035	9204034
	DH21052	33 13/16 x 62 27/32	1610287	9204037	9204036	9204537	9204536	9204039	9204038
	DH21056C	33 13/16 x 66 27/32	1610288	9204041	9204040	9204539	9204538	9204043	9204042
	DH21056E	33 13/16 x 66 27/32	1610579	9204093	9204092	9204572	9204571	9204095	9204094
	DH210510	33 13/16 x 70 27/32	1610289	9204045	9204044	9204541	9204540	9204047	9204046
DH21062	33 13/16 x 74 27/32	1610290	9204049	9204048	9204543	9204542	9204051	9204050	
<b>30</b>	DH30210	35 13/16 x 34 27/32	1610233	2710233	1149133	9204390	9204452	9204158	9204157
	DH3032	35 13/16 x 38 27/32	1610234	2710234	1149134	9204391	9204453	9204160	9204159
	DH3036	35 13/16 x 42 27/32	1610291	9204053	9204052	9204545	9204544	9204055	9204054
	DH30310	35 13/16 x 46 27/32	1610235	2710235	1149135	9204392	9204454	9204162	9204161
	DH3042	35 13/16 x 50 27/32	1610236	2710236	1149136	9204393	9204455	9204164	9204163
	DH3046	35 13/16 x 54 27/32	1610237	2710237	1149137	9204394	9204456	9204166	9204165
	DH30410	35 13/16 x 58 27/32	1610292	9204057	9204056	9204547	9204546	9204059	9204058
	DH3052	35 13/16 x 62 27/32	1610238	2710238	1149138	9204395	9204457	9204168	9204167
	DH3056C	35 13/16 x 66 27/32	1610239	2710239	1149139	9204396	9204458	9204170	9204169
	DH3056E	35 13/16 x 66 27/32	1610575	2710261	1149161	9204418	9204566	9204214	9204213
	DH30510	35 13/16 x 70 27/32	1610293	9204061	9204060	9204549	9204548	9204063	9204062
DH3062	35 13/16 x 74 27/32	1610240	2710240	1149140	9204397	9204459	9204172	9204171	
<b>34</b>	DH34210	39 13/16 x 34 27/32	1610241	2710241	1149141	9204398	9204460	9204174	9204173
	DH3432	39 13/16 x 38 27/32	1610242	2710242	1149142	9204399	9204461	9204176	9204175
	DH3436	39 13/16 x 42 27/32	1610294	9204065	9204064	9204551	9204550	9204067	9204066
	DH34310	39 13/16 x 46 27/32	1610243	2710243	1149143	9204400	9204462	9204178	9204177
	DH3442	39 13/16 x 50 27/32	1610244	2710244	1149144	9204401	9204463	9204180	9204179
	DH3446	39 13/16 x 54 27/32	1610245	2710245	1149145	9204402	9204464	9204182	9204181
	DH34410	39 13/16 x 58 27/32	1610295	9204069	9204068	9204553	9204552	9204071	9204070
	DH3452	39 13/16 x 62 27/32	1610246	2710246	1149146	9204403	9204465	9204184	9204183
	DH3456C	39 13/16 x 66 27/32	1610247	2710247	1149147	9204404	9204466	9204186	9204185
	DH3456E	39 13/16 x 66 27/32	1610576	2710262	1149162	9204419	9204567	9204216	9204215
	DH34510	39 13/16 x 70 27/32	1610296	9204073	9204072	9204555	9204554	9204075	9204074
DH3462	39 13/16 x 74 27/32	1610248	2710248	1149148	9204405	9204467	9204188	9204187	

## 400 Series Tilt-Wash (TW) Windows (1992 to Present)

*Standard Windows*

### Combination Units

#### Combination Unit - Double-Hung Ref No. 1 [page 305](#)

Unit No.	Dimensions (w x h)	White	Terra- tone®	Sandtone	Forest Green	Canvas	Dark Bronze	Black	
<b>38</b>	<b>DH38210</b>	43 <sup>13</sup> / <sub>16</sub> × 34 <sup>27</sup> / <sub>32</sub>	1610249	2710249	1149149	9204406	9204468	9204190	9204189
	<b>DH3832</b>	43 <sup>13</sup> / <sub>16</sub> × 38 <sup>27</sup> / <sub>32</sub>	1610250	2710250	1149150	9204407	9204469	9204192	9204191
	<b>DH3836</b>	43 <sup>13</sup> / <sub>16</sub> × 42 <sup>27</sup> / <sub>32</sub>	1610297	9204077	9204076	9204557	9204556	9204079	9204078
	<b>DH38310</b>	43 <sup>13</sup> / <sub>16</sub> × 46 <sup>27</sup> / <sub>32</sub>	1610251	2710251	1149151	9204408	9204470	9204194	9204193
	<b>DH3842</b>	43 <sup>13</sup> / <sub>16</sub> × 50 <sup>27</sup> / <sub>32</sub>	1610252	2710252	1149152	9204409	9204471	9204196	9204195
	<b>DH3846</b>	43 <sup>13</sup> / <sub>16</sub> × 54 <sup>27</sup> / <sub>32</sub>	1610253	2710253	1149153	9204410	9204472	9204198	9204197
	<b>DH38410</b>	43 <sup>13</sup> / <sub>16</sub> × 58 <sup>27</sup> / <sub>32</sub>	1610298	9204081	9204080	9204559	9204558	9204083	9204082
	<b>DH3852</b>	43 <sup>13</sup> / <sub>16</sub> × 62 <sup>27</sup> / <sub>32</sub>	1610254	2710254	1149154	9204411	9204473	9204200	9204199
	<b>DH3856C</b>	43 <sup>13</sup> / <sub>16</sub> × 66 <sup>27</sup> / <sub>32</sub>	1610255	2710255	1149155	9204412	9204474	9204202	9204201
	<b>DH3856E</b>	43 <sup>13</sup> / <sub>16</sub> × 66 <sup>27</sup> / <sub>32</sub>	1610577	2710263	1149163	9204420	9204568	9204218	9204217
	<b>DH38510</b>	43 <sup>13</sup> / <sub>16</sub> × 70 <sup>27</sup> / <sub>32</sub>	1610299	9204085	9204084	9204561	9204560	9204087	9204086
<b>DH3862</b>	43 <sup>13</sup> / <sub>16</sub> × 74 <sup>27</sup> / <sub>32</sub>	1610256	2710256	1149156	9204413	9204475	9204204	9204203	

## Combination Units

### Panels - Double-Hung Combination Units

Note:  
See [Replacement Video](#).

#### Panel - Double-Hung Combination Unit / Upper Ref No. 4 [page 305](#)

Unit No.	Dimensions (w x h)	White	Terra-tone®	Sandtone	Forest Green	Canvas	Dark Bronze	Black
DH18210	17 1/16 × 15 3/64	1622501	2710601	1149501	OBD	OBD	OBD	OBD
DH1832	17 1/16 × 17 3/64	1622502	2710602	1149502	OBD	OBD	OBD	OBD
DH1836	17 1/16 × 19 3/64	1622557	OBD	OBD	OBD	OBD	OBD	OBD
DH18310	17 1/16 × 21 3/64	1622503	2710603	1149503	OBD	OBD	OBD	OBD
DH1842	17 1/16 × 23 3/64	1622504	2710604	1149504	OBD	OBD	OBD	OBD
DH1846	17 1/16 × 25 3/64	1622505	2710605	1149505	OBD	OBD	OBD	OBD
Dh18410	17 1/16 × 27 3/64	1622558	OBD	OBD	OBD	OBD	OBD	OBD
DH1852	17 1/16 × 29 3/64	1622506	2710606	1149506	OBD	OBD	OBD	OBD
DH1856E	17 1/16 × 31 3/64	OBD	OBD	OBD	OBD	OBD	OBD	OBD
Dh18510	17 1/16 × 33 3/64	1622559	OBD	OBD	OBD	OBD	OBD	OBD
DH1862	17 1/16 × 35 3/64	1622507	2710607	1149507	OBD	OBD	OBD	OBD
DH20210	21 1/16 × 15 3/64	1622508	2710608	1149508	OBD	OBD	OBD	OBD
DH2032	21 1/16 × 17 3/64	1622509	2710609	1149509	OBD	OBD	OBD	OBD
DH2036	21 1/16 × 19 3/64	1622560	OBD	OBD	OBD	OBD	OBD	OBD
DH20310	21 1/16 × 21 3/64	1622510	2710610	1149510	OBD	OBD	OBD	OBD
DH2042	21 1/16 × 23 3/64	1622511	2710611	1149511	OBD	OBD	OBD	OBD
DH2046	21 1/16 × 25 3/64	1622512	2710612	1149512	OBD	OBD	OBD	OBD
DH20410	21 1/16 × 27 3/64	1622561	OBD	OBD	OBD	OBD	OBD	OBD
DH2052	21 1/16 × 29 3/64	1622513	2710613	1149513	OBD	OBD	OBD	OBD
DH2056E	21 1/16 × 31 3/64	OBD	OBD	OBD	OBD	OBD	OBD	OBD
DH20510	21 1/16 × 33 3/64	1622562	OBD	OBD	OBD	OBD	OBD	OBD
DH2062	21 1/16 × 35 3/64	1622514	2710614	1149514	OBD	OBD	OBD	OBD
DH24210	25 1/16 × 15 3/64	1622515	2710615	1149515	OBD	OBD	OBD	OBD
DH2432	25 1/16 × 17 3/64	1622516	2710616	1149516	OBD	OBD	OBD	OBD
DH2436	25 1/16 × 19 3/64	1622563	OBD	OBD	OBD	OBD	OBD	OBD
DH24310	25 1/16 × 21 3/64	1622517	2710617	1149517	OBD	OBD	OBD	OBD
DH2442	25 1/16 × 23 3/64	1622518	2710618	1149518	OBD	OBD	OBD	OBD
DH2446	25 1/16 × 25 3/64	1622519	2710619	1149519	OBD	OBD	OBD	OBD
DH24410	25 1/16 × 27 3/64	1622564	OBD	OBD	OBD	OBD	OBD	OBD
DH2452	25 1/16 × 29 3/64	1622520	2710620	1149520	OBD	OBD	OBD	OBD
DH2456E	25 1/16 × 31 3/64	OBD	OBD	OBD	OBD	OBD	OBD	OBD
DH24510	25 1/16 × 33 3/64	1622565	OBD	OBD	OBD	OBD	OBD	OBD
DH2462	25 1/16 × 35 3/64	1622521	2710621	1149521	OBD	OBD	OBD	OBD

## 400 Series Tilt-Wash (TW) Windows (1992 to Present)

*Standard Windows*

### Combination Units

Panel - Double-Hung Combination Unit / Upper Ref No. 4 <a href="#">page 305</a>								
Unit No.	Dimensions (w x h)	White	Terra-tone®	Sandtone	Forest Green	Canvas	Dark Bronze	Black
DH26210	27 1/16 × 15 3/64	1622566	OBD	OBD	OBD	OBD	OBD	OBD
DH2632	27 1/16 × 17 3/64	1622567	OBD	OBD	OBD	OBD	OBD	OBD
DH2636	27 1/16 × 19 3/64	1622568	OBD	OBD	OBD	OBD	OBD	OBD
DH26310	27 1/16 × 21 3/64	1622569	OBD	OBD	OBD	OBD	OBD	OBD
DH2642	27 1/16 × 23 3/64	1622570	OBD	OBD	OBD	OBD	OBD	OBD
DH2646	27 1/16 × 25 3/64	1622571	OBD	OBD	OBD	OBD	OBD	OBD
DH26410	27 1/16 × 27 3/64	1622572	OBD	OBD	OBD	OBD	OBD	OBD
DH2652	27 1/16 × 29 3/64	1622573	OBD	OBD	OBD	OBD	OBD	OBD
DH2656E	27 1/16 × 31 3/64	OBD	OBD	OBD	OBD	OBD	OBD	OBD
DH26510	27 1/16 × 35 3/64	1622575	OBD	OBD	OBD	OBD	OBD	OBD
DH2662	27 1/16 × 35 3/64	1622576	OBD	OBD	OBD	OBD	OBD	OBD
DH2662	27 1/16 × 35 3/64	1622576	OBD	OBD	OBD	OBD	OBD	OBD
DH28210	29 1/16 × 15 3/64	1622522	2710622	1149522	OBD	OBD	OBD	OBD
DH2832	29 1/16 × 17 3/64	1622523	2710623	1149523	OBD	OBD	OBD	OBD
DH2836	29 1/16 × 19 3/64	1622557	OBD	OBD	OBD	OBD	OBD	OBD
DH28310	29 1/16 × 21 3/64	1622524	2710624	1149524	OBD	OBD	OBD	OBD
DH2842	29 1/16 × 23 3/64	1622525	2710625	1149525	OBD	OBD	OBD	OBD
DH2846	29 1/16 × 25 3/64	1622526	2710626	1149526	OBD	OBD	OBD	OBD
DH28410	29 1/16 × 27 3/64	1622578	OBD	OBD	OBD	OBD	OBD	OBD
DH2852	29 1/16 × 29 3/64	1622527	2710627	1149527	OBD	OBD	OBD	OBD
DH2856E	29 1/16 × 31 3/64	OBD	OBD	OBD	OBD	OBD	OBD	OBD
DH28510	29 1/16 × 33 3/64	1622559	OBD	OBD	OBD	OBD	OBD	OBD
DH2862	29 1/16 × 35 3/64	1622528	2710628	1149528	OBD	OBD	OBD	OBD
DH210210	31 1/16 × 15 3/64	1622580	OBD	OBD	OBD	OBD	OBD	OBD
DH21032	31 1/16 × 17 3/64	1622581	OBD	OBD	OBD	OBD	OBD	OBD
DH21036	31 1/16 × 19 3/64	1622582	OBD	OBD	OBD	OBD	OBD	OBD
DH210310	31 1/16 × 21 3/64	1622583	OBD	OBD	OBD	OBD	OBD	OBD
DH21042	31 1/16 × 23 3/64	1622584	OBD	OBD	OBD	OBD	OBD	OBD
DH21046	31 1/16 × 25 3/64	1622585	OBD	OBD	OBD	OBD	OBD	OBD
DH210410	31 1/16 × 27 3/64	1622586	OBD	OBD	OBD	OBD	OBD	OBD
DH21052	31 1/16 × 29 3/64	1622587	OBD	OBD	OBD	OBD	OBD	OBD
DH21056E	31 1/16 × 31 3/64	1622588	OBD	OBD	OBD	OBD	OBD	OBD
DH210510	31 1/16 × 33 3/64	1622589	OBD	OBD	OBD	OBD	OBD	OBD
DH21062	31 1/16 × 35 3/64	1622590	OBD	OBD	OBD	OBD	OBD	OBD
DH210210	31 1/16 × 15 3/64	1622580	OBD	OBD	OBD	OBD	OBD	OBD
DH30210	33 1/16 × 15 3/64	1622529	2710629	1149529	OBD	OBD	OBD	OBD
DH3032	33 1/16 × 17 3/64	1622530	2710630	1149530	OBD	OBD	OBD	OBD

## Combination Units

Panel - Double-Hung Combination Unit / Upper Ref No. 4 <a href="#">page 305</a>								
Unit No.	Dimensions (w x h)	White	Terra-tone®	Sandtone	Forest Green	Canvas	Dark Bronze	Black
DH3036	33 1/16 × 19 3/64	1622591	OBD	OBD	OBD	OBD	OBD	OBD
DH30310	33 1/16 × 21 3/64	1622531	2710631	1149531	OBD	OBD	OBD	OBD
DH3042	33 1/16 × 23 3/64	1622532	2710632	1149532	OBD	OBD	OBD	OBD
DH3046	33 1/16 × 25 3/64	1622533	2710633	1149533	OBD	OBD	OBD	OBD
DH30410	33 1/16 × 27 3/64	1622592	OBD	OBD	OBD	OBD	OBD	OBD
DH3052	33 1/16 × 29 3/64	1622534	2710634	1149534	OBD	OBD	OBD	OBD
DH3056E	33 1/16 × 31 3/64	OBD	OBD	OBD	OBD	OBD	OBD	OBD
DH30510	33 1/16 × 33 3/64	1622593	OBD	OBD	OBD	OBD	OBD	OBD
DH3062	33 1/16 × 35 3/64	1622535	2710635	1149535	OBD	OBD	OBD	OBD
DH34210	37 1/16 × 15 3/64	1622536	2710636	1149536	OBD	OBD	OBD	OBD
DH3432	37 1/16 × 17 3/64	1622537	2710637	1149537	OBD	OBD	OBD	OBD
DH3436	37 1/16 × 19 3/64	1622594	OBD	OBD	OBD	OBD	OBD	OBD
DH34310	37 1/16 × 21 3/64	1622538	2710638	1149538	OBD	OBD	OBD	OBD
DH3442	37 1/16 × 23 3/64	1622539	2710639	1149539	OBD	OBD	OBD	OBD
DH3446	37 1/16 × 25 3/64	1622540	2710640	1149540	OBD	OBD	OBD	OBD
DH34410	37 1/16 × 27 3/64	1622595	OBD	OBD	OBD	OBD	OBD	OBD
DH3452	37 1/16 × 29 3/64	1622541	2710641	1149541	OBD	OBD	OBD	OBD
DH3456E	37 1/16 × 31 3/64	OBD	OBD	OBD	OBD	OBD	OBD	OBD
DH34510	37 1/16 × 33 3/64	1622596	OBD	OBD	OBD	OBD	OBD	OBD
DH3462	37 1/16 × 35 3/64	1622542	2710642	1149542	OBD	OBD	OBD	OBD
DH38210	41 1/16 × 15 3/64	1622543	2710643	1149543	OBD	OBD	OBD	OBD
DH3832	41 1/16 × 17 3/64	1622544	2710644	1149544	OBD	OBD	OBD	OBD
DH3836	41 1/16 × 19 3/64	1622597	OBD	OBD	OBD	OBD	OBD	OBD
DH38310	41 1/16 × 21 3/64	1622545	2710645	1149545	OBD	OBD	OBD	OBD
DH3842	41 1/16 × 23 3/64	1622546	2710646	1149546	OBD	OBD	OBD	OBD
DH3846	41 1/16 × 25 3/64	1622547	2710647	1149547	OBD	OBD	OBD	OBD
DH38410	41 1/16 × 27 3/64	1622598	OBD	OBD	OBD	OBD	OBD	OBD
DH3852	41 1/16 × 29 3/64	1622548	2710648	1149548	OBD	OBD	OBD	OBD
DH3856E	41 1/16 × 31 3/64	OBD	OBD	OBD	OBD	OBD	OBD	OBD
DH38510	41 1/16 × 33 3/64	1622599	OBD	OBD	OBD	OBD	OBD	OBD
DH3862	41 1/16 × 35 3/64	1622549	2710649	1149549	OBD	OBD	OBD	OBD



# 400 Series Tilt-Wash (TW) Windows (1992 to Present)

Standard Windows

## Combination Units

Panel - Double-Hung Combination Unit / Lower Ref No. 5 and 6 <a href="#">page 305</a>								
Unit No.	Dimensions (w x h)	White	Terra-tone®	Sandtone	Forest Green	Canvas	Dark Bronze	Black
DH18210	17 1/2 x 16 11/16	1622701	2710501	1149401	OBD	OBD	OBD	OBD
DH1832	17 1/2 x 18 11/16	1622702	2710502	1149402	OBD	OBD	OBD	OBD
Dh1836	17 1/2 x 20 11/16	1622757	OBD	OBD	OBD	OBD	OBD	OBD
DH18310	17 1/2 x 22 11/16	1622703	2710503	1149403	OBD	OBD	OBD	OBD
DH1842	17 1/2 x 24 11/16	1622704	2710504	1149404	OBD	OBD	OBD	OBD
DH1846	17 1/2 x 26 11/16	1622705	2710505	1149405	OBD	OBD	OBD	OBD
DH18410	17 1/2 x 28 11/16	1622758	OBD	OBD	OBD	OBD	OBD	OBD
DH1852	17 1/2 x 30 11/16	1622706	2710506	1149406	OBD	OBD	OBD	OBD
DH1856E	17 1/2 x 32 11/16	1622707	2710507	1149407	OBD	OBD	OBD	OBD
DH1856C	17 1/2 x 38 11/16	OBD	OBD	OBD	OBD	OBD	OBD	OBD
DH18510	17 1/2 x 34 11/16	1622759	OBD	OBD	OBD	OBD	OBD	OBD
DH1862	17 1/2 x 36 11/16	1622708	2710508	1149408	OBD	OBD	OBD	OBD
DH20210	21 1/2 x 16 11/16	1622709	2710509	1149409	OBD	OBD	OBD	OBD
DH2032	21 1/2 x 18 11/16	1622710	2710510	1149410	OBD	OBD	OBD	OBD
DH2036	21 1/2 x 20 11/16	1622760	OBD	OBD	OBD	OBD	OBD	OBD
DH20310	21 1/2 x 22 11/16	1622711	2710511	1149411	OBD	OBD	OBD	OBD
DH2042	21 1/2 x 24 11/16	1622712	2710512	1149412	OBD	OBD	OBD	OBD
DH2046	21 1/2 x 26 11/16	1622713	2710513	1149413	OBD	OBD	OBD	OBD
DH20410	21 1/2 x 28 11/16	1622761	OBD	OBD	OBD	OBD	OBD	OBD
DH2052	21 1/2 x 30 11/16	1622714	2710514	1149414	OBD	OBD	OBD	OBD
DH2056E	21 1/2 x 32 11/16	1622715	2710515	1149415	OBD	OBD	OBD	OBD
DH2056C	21 1/2 x 38 11/16	OBD	OBD	OBD	OBD	OBD	OBD	OBD
DH20510	21 1/2 x 34 11/16	1622762	OBD	OBD	OBD	OBD	OBD	OBD
DH2062	21 1/2 x 36 11/16	1622716	2710516	1149416	OBD	OBD	OBD	OBD
DH24210	25 1/2 x 16 11/16	1622717	2710517	1149417	OBD	OBD	OBD	OBD
DH2432	25 1/2 x 18 11/16	1622718	2710518	1149418	OBD	OBD	OBD	OBD
DH2436	25 1/2 x 20 11/16	1622763	OBD	OBD	OBD	OBD	OBD	OBD
DH24310	25 1/2 x 22 11/16	1622719	2710519	1149419	OBD	OBD	OBD	OBD
DH2442	25 1/2 x 24 11/16	1622720	2710520	1149420	OBD	OBD	OBD	OBD
DH2446	25 1/2 x 26 11/16	1622721	2710521	1149421	OBD	OBD	OBD	OBD
DH24410	25 1/2 x 28 11/16	1622764	OBD	OBD	OBD	OBD	OBD	OBD
DH2452	25 1/2 x 30 11/16	1622722	2710522	1149422	OBD	OBD	OBD	OBD
DH2456E	25 1/2 x 32 11/16	1622723	2710523	1149423	OBD	OBD	OBD	OBD
DH2456C	25 1/2 x 38 11/16	OBD	OBD	OBD	OBD	OBD	OBD	OBD
DH24510	25 1/2 x 34 11/16	1622765	OBD	OBD	OBD	OBD	OBD	OBD
DH2462	25 1/2 x 36 11/16	1622724	2710524	1149424	OBD	OBD	OBD	OBD

## Combination Units

Panel - Double-Hung Combination Unit / Lower Ref No. 5 and 6 <a href="#">page 305</a>								
Unit No.	Dimensions (w x h)	White	Terra-tone®	Sandtone	Forest Green	Canvas	Dark Bronze	Black
DH26210	27 1/2 x 16 11/16	1622766	OBD	OBD	OBD	OBD	OBD	OBD
DH2632	27 1/2 x 18 11/16	1622767	OBD	OBD	OBD	OBD	OBD	OBD
DH2636	27 1/2 x 20 11/16	1622768	OBD	OBD	OBD	OBD	OBD	OBD
DH26310	27 1/2 x 22 11/16	1622769	OBD	OBD	OBD	OBD	OBD	OBD
DH2642	27 1/2 x 24 11/16	1622770	OBD	OBD	OBD	OBD	OBD	OBD
DH2646	27 1/2 x 26 11/16	1622771	OBD	OBD	OBD	OBD	OBD	OBD
DH26410	27 1/2 x 28 11/16	1622772	OBD	OBD	OBD	OBD	OBD	OBD
DH2652	27 1/2 x 30 11/16	1622773	OBD	OBD	OBD	OBD	OBD	OBD
DH2656E	27 1/2 x 32 11/16	OBD	OBD	OBD	OBD	OBD	OBD	OBD
DH26510	27 1/2 x 34 11/16	1622775	OBD	OBD	OBD	OBD	OBD	OBD
DH2662	27 1/2 x 36 11/16	1622776	OBD	OBD	OBD	OBD	OBD	OBD
DH28210	29 1/2 x 16 11/16	1622725	2710525	1149425	OBD	OBD	OBD	OBD
DH2832	29 1/2 x 18 11/16	1622726	2710526	1149426	OBD	OBD	OBD	OBD
DH2836	29 1/2 x 20 11/16	1622777	OBD	OBD	OBD	OBD	OBD	OBD
DH28310	29 1/2 x 22 11/16	1622727	2710527	1149427	OBD	OBD	OBD	OBD
DH2842	29 1/2 x 24 11/16	1622728	2710528	1149428	OBD	OBD	OBD	OBD
DH2846	29 1/2 x 26 11/16	1622729	2710529	1149429	OBD	OBD	OBD	OBD
DH28410	29 1/2 x 28 11/16	1622778	OBD	OBD	OBD	OBD	OBD	OBD
DH2852	29 1/2 x 30 11/16	1622730	2710530	1149430	OBD	OBD	OBD	OBD
DH2856E	29 1/2 x 32 11/16	1622731	2710531	1149431	OBD	OBD	OBD	OBD
DH2856C	29 1/2 x 38 11/16	OBD	OBD	OBD	OBD	OBD	OBD	OBD
DH28510	29 1/2 x 34 11/16	1622779	OBD	OBD	OBD	OBD	OBD	OBD
DH2862	29 1/2 x 36 11/16	1622732	2710532	1149432	OBD	OBD	OBD	OBD
DH210210	31 1/2 x 16 11/16	1622780	OBD	OBD	OBD	OBD	OBD	OBD
DH21032	31 1/2 x 18 11/16	1622781	OBD	OBD	OBD	OBD	OBD	OBD
DH21036	31 1/2 x 20 11/16	1622782	OBD	OBD	OBD	OBD	OBD	OBD
DH210310	31 1/2 x 22 11/16	1622783	OBD	OBD	OBD	OBD	OBD	OBD
DH21042	31 1/2 x 24 11/16	1622784	OBD	OBD	OBD	OBD	OBD	OBD
DH21046	31 1/2 x 26 11/16	1622785	OBD	OBD	OBD	OBD	OBD	OBD
DH210410	31 1/2 x 28 11/16	1622786	OBD	OBD	OBD	OBD	OBD	OBD
DH21052	31 1/2 x 30 11/16	1622787	OBD	OBD	OBD	OBD	OBD	OBD
DH21056E	31 1/2 x 32 11/16	1622788	OBD	OBD	OBD	OBD	OBD	OBD
DH210510	31 1/2 x 34 11/16	1622789	OBD	OBD	OBD	OBD	OBD	OBD
DH21062	31 1/2 x 36 11/16	1622790	OBD	OBD	OBD	OBD	OBD	OBD
DH30210	33 1/2 x 16 11/16	1622733	2710533	1149433	OBD	OBD	OBD	OBD
DH3032	33 1/2 x 18 11/16	1622734	2710534	1149434	OBD	OBD	OBD	OBD
DH3036	33 1/2 x 20 11/16	1622791	OBD	OBD	OBD	OBD	OBD	OBD

## 400 Series Tilt-Wash (TW) Windows (1992 to Present)

*Standard Windows*

### Combination Units

Panel - Double-Hung Combination Unit / Lower Ref No. 5 and 6 <a href="#">page 305</a>								
Unit No.	Dimensions (w x h)	White	Terra-tone®	Sandtone	Forest Green	Canvas	Dark Bronze	Black
DH30310	33 1/2 x 22 11/16	1622735	2710535	1149435	OBD	OBD	OBD	OBD
DH3042	33 1/2 x 24 11/16	1622736	2710536	1149436	OBD	OBD	OBD	OBD
DH3046	33 1/2 x 26 11/16	1622737	2710537	1149437	OBD	OBD	OBD	OBD
DH30410	33 1/2 x 28 11/16	1622792	OBD	OBD	OBD	OBD	OBD	OBD
DH3052	33 1/2 x 30 11/16	1622738	2710538	1149438	OBD	OBD	OBD	OBD
DH3056E	33 1/2 x 32 11/16	1622739	2710539	1149439	OBD	OBD	OBD	OBD
DH3056C	33 1/2 x 38 11/16	OBD	OBD	OBD	OBD	OBD	OBD	OBD
DH30510	33 1/2 x 34 11/16	1622793	OBD	OBD	OBD	OBD	OBD	OBD
DH3062	33 1/2 x 36 11/16	1622740	2710540	1149440	OBD	OBD	OBD	OBD
DH34210	37 1/2 x 16 11/16	1622741	2710541	1149441	OBD	OBD	OBD	OBD
DH3432	37 1/2 x 18 11/16	1622742	2710542	1149442	OBD	OBD	OBD	OBD
DH3436	37 1/2 x 20 11/16	1622794	OBD	OBD	OBD	OBD	OBD	OBD
DH34310	37 1/2 x 22 11/16	1622743	2710543	1149443	OBD	OBD	OBD	OBD
DH3442	37 1/2 x 24 11/16	1622744	2710544	1149444	OBD	OBD	OBD	OBD
DH3446	37 1/2 x 26 11/16	1622745	2710545	1149445	OBD	OBD	OBD	OBD
DH34410	37 1/2 x 28 11/16	1622795	OBD	OBD	OBD	OBD	OBD	OBD
DH3452	37 1/2 x 30 11/16	1622746	2710546	1149446	OBD	OBD	OBD	OBD
DH3456E	37 1/2 x 32 11/16	1622747	2710547	1149447	OBD	OBD	OBD	OBD
DH3456C	37 1/2 x 38 11/16	OBD	OBD	OBD	OBD	OBD	OBD	OBD
DH34510	37 1/2 x 34 11/16	1622796	OBD	OBD	OBD	OBD	OBD	OBD
DH3462	37 1/2 x 36 11/16	1622748	2710548	1149448	OBD	OBD	OBD	OBD
DH38210	41 1/2 x 16 11/16	1622749	2710549	1149449	OBD	OBD	OBD	OBD
DH3832	41 1/2 x 18 11/16	1622750	2710550	1149450	OBD	OBD	OBD	OBD
DH3836	41 1/2 x 20 11/16	1622797	OBD	OBD	OBD	OBD	OBD	OBD
DH38310	41 1/2 x 22 11/16	1622751	2710551	1149451	OBD	OBD	OBD	OBD
DH3842	41 1/2 x 24 11/16	1622752	2710552	1149452	OBD	OBD	OBD	OBD
DH3846	41 1/2 x 26 11/16	1622753	2710553	1149453	OBD	OBD	OBD	OBD
DH38410	41 1/2 x 28 11/16	1622798	OBD	OBD	OBD	OBD	OBD	OBD
DH3852	41 1/2 x 30 11/16	1622754	2710554	1149454	OBD	OBD	OBD	OBD
DH3856E	41 1/2 x 32 11/16	1622755	2710555	1149455	OBD	OBD	OBD	OBD
DH3856C	41 1/2 x 38 11/16	OBD	OBD	OBD	OBD	OBD	OBD	OBD
DH38510	41 1/2 x 34 11/16	1622799	OBD	OBD	OBD	OBD	OBD	OBD
DH3862	41 1/2 x 36 11/16	1622756	2710556	1149456	OBD	OBD	OBD	OBD

## Combination Units

### Insect Screens - Double-Hung Combination Units

Note:  
See [Replacement Video](#).

Insect Screen - Double-Hung Combination Unit Ref No. 7 <a href="#">page 305</a>								
Unit No.	Dimensions (w x h)	White	Terra-tone®	Sandtone	Forest Green	Canvas	Dark Bronze	Black
DH18210	17 1/32 x 16 1/4	1611301	2710401	1149301	OBD	OBD	OBD	OBD
DH1832	17 1/32 x 18 1/4	1611302	2710402	1149302	OBD	OBD	OBD	OBD
DH1836	17 1/32 x 20 1/4	1611359	OBD	OBD	OBD	OBD	OBD	OBD
DH18310	17 1/32 x 22 1/4	1611303	2710403	1149303	OBD	OBD	OBD	OBD
DH1842	17 1/32 x 24 1/4	1611304	2710404	1149304	OBD	OBD	OBD	OBD
DH1846	17 1/32 x 26 1/4	1611305	2710405	1149305	OBD	OBD	OBD	OBD
DH18410	17 1/32 x 28 1/4	1611360	OBD	OBD	OBD	OBD	OBD	OBD
DH1852	17 1/32 x 30 1/4	1611306	2710406	1149306	OBD	OBD	OBD	OBD
DH1856E	17 1/32 x 32 1/4	1611307	2710407	1149307	OBD	OBD	OBD	OBD
DH1856C	17 1/32 x 38 1/4	OBD	OBD	OBD	OBD	OBD	OBD	OBD
DH18510	17 1/32 x 34 1/4	1611361	OBD	OBD	OBD	OBD	OBD	OBD
DH1862	17 1/32 x 36 1/4	1611308	2710408	1149308	OBD	OBD	OBD	OBD
DH20210	21 1/32 x 16 1/4	1611309	2710409	1149309	OBD	OBD	OBD	OBD
DH2032	21 1/32 x 18 1/4	1611310	2710410	1149310	OBD	OBD	OBD	OBD
DH2036	21 1/32 x 20 1/4	1611362	OBD	OBD	OBD	OBD	OBD	OBD
DH20310	21 1/32 x 22 1/4	1611311	2710411	1149311	OBD	OBD	OBD	OBD
DH2042	21 1/32 x 24 1/4	1611312	2710412	1149312	OBD	OBD	OBD	OBD
DH2046	21 1/32 x 26 1/4	1611313	2710413	1149313	OBD	OBD	OBD	OBD
DH20410	21 1/32 x 28 1/4	1611363	OBD	OBD	OBD	OBD	OBD	OBD
DH2052	21 1/32 x 30 1/4	1611314	2710414	1149314	OBD	OBD	OBD	OBD
DH2056E	21 1/32 x 32 1/4	1611315	2710415	1149315	OBD	OBD	OBD	OBD
DH2056C	21 1/32 x 38 1/4	OBD	OBD	OBD	OBD	OBD	OBD	OBD
DH20510	21 1/32 x 34 1/4	1611364	OBD	OBD	OBD	OBD	OBD	OBD
DH2062	21 1/32 x 36 1/4	1611316	2710416	1149316	OBD	OBD	OBD	OBD
DH24210	25 1/32 x 16 1/4	1611317	2710417	1149317	OBD	OBD	OBD	OBD
DH2432	25 1/32 x 18 1/4	1611318	2710418	1149318	OBD	OBD	OBD	OBD
DH2436	25 1/32 x 20 1/4	1611365	OBD	OBD	OBD	OBD	OBD	OBD
DH24310	25 1/32 x 22 1/4	1611319	2710419	1149319	OBD	OBD	OBD	OBD
DH2442	25 1/32 x 24 1/4	1611320	2710420	1149320	OBD	OBD	OBD	OBD
DH2446	25 1/32 x 26 1/4	1611321	2710421	1149321	OBD	OBD	OBD	OBD
DH24410	25 1/32 x 28 1/4	1611366	OBD	OBD	OBD	OBD	OBD	OBD
DH2452	25 1/32 x 30 1/4	1611322	2710422	1149322	OBD	OBD	OBD	OBD
DH2456E	25 1/32 x 32 1/4	1611323	2710423	1149323	OBD	OBD	OBD	OBD

# 400 Series Tilt-Wash (TW) Windows (1992 to Present)

*Standard Windows*

## Combination Units

Insect Screen - Double-Hung Combination Unit <span style="float: right;">Ref No. 7 <a href="#">page 305</a></span>								
Unit No.	Dimensions (w x h)	White	Terra-tone®	Sandtone	Forest Green	Canvas	Dark Bronze	Black
DH2456C	25 1/32 × 38 1/4	OBD	OBD	OBD	OBD	OBD	OBD	OBD
DH24510	25 1/32 × 34 1/4	1611367	OBD	OBD	OBD	OBD	OBD	OBD
DH2462	25 1/32 × 36 1/4	1611324	2710424	1149324	OBD	OBD	OBD	OBD
DH26210	27 1/32 × 16 1/4	1611368	OBD	OBD	OBD	OBD	OBD	OBD
DH2632	27 1/32 × 18 1/4	1611369	OBD	OBD	OBD	OBD	OBD	OBD
DH2636	27 1/32 × 20 1/4	1611370	OBD	OBD	OBD	OBD	OBD	OBD
DH26310	27 1/32 × 22 1/4	1611371	OBD	OBD	OBD	OBD	OBD	OBD
DH2642	27 1/32 × 24 1/4	1611372	OBD	OBD	OBD	OBD	OBD	OBD
DH2646	27 1/32 × 26 1/4	1611373	OBD	OBD	OBD	OBD	OBD	OBD
DH26410	27 1/32 × 28 1/4	1611374	OBD	OBD	OBD	OBD	OBD	OBD
DH2652	27 1/32 × 30 1/4	1611375	OBD	OBD	OBD	OBD	OBD	OBD
DH2656E	27 1/32 × 32 1/4	1611376	OBD	OBD	OBD	OBD	OBD	OBD
DH26510	27 1/32 × 34 1/4	1611377	OBD	OBD	OBD	OBD	OBD	OBD
DH2662	27 1/32 × 36 1/4	1611378	OBD	OBD	OBD	OBD	OBD	OBD
DH28210	29 1/32 × 16 1/4	1611325	2710425	1149325	OBD	OBD	OBD	OBD
DH2832	29 1/32 × 18 1/4	1611326	2710426	1149326	OBD	OBD	OBD	OBD
DH2836	29 1/32 × 20 1/4	1611379	OBD	OBD	OBD	OBD	OBD	OBD
DH28310	29 1/32 × 22 1/4	1611327	2710427	1149327	OBD	OBD	OBD	OBD
DH2842	29 1/32 × 24 1/4	1611328	2710428	1149328	OBD	OBD	OBD	OBD
DH2846	29 1/32 × 26 1/4	1611329	2710429	1149329	OBD	OBD	OBD	OBD
DH28410	29 1/32 × 28 1/4	1611380	OBD	OBD	OBD	OBD	OBD	OBD
DH2852	29 1/32 × 30 1/4	1611331	2710430	1149330	OBD	OBD	OBD	OBD
DH2856E	29 1/32 × 32 1/4	OBD	OBD	OBD	OBD	OBD	OBD	OBD
DH2856C	29 1/32 × 38 1/4	1611332	2710431	1149331	OBD	OBD	OBD	OBD
DH28510	29 1/32 × 34 1/4	1611381	OBD	OBD	OBD	OBD	OBD	OBD
DH2862	29 1/32 × 36 1/4	1611333	2710432	1149332	OBD	OBD	OBD	OBD
DH210210	31 1/32 × 16 1/4	1611382	OBD	OBD	OBD	OBD	OBD	OBD
DH21032	31 1/32 × 18 1/4	1611383	OBD	OBD	OBD	OBD	OBD	OBD
DH21036	31 1/32 × 20 1/4	1611384	OBD	OBD	OBD	OBD	OBD	OBD
DH210310	31 1/32 × 22 1/4	1611385	OBD	OBD	OBD	OBD	OBD	OBD
DH21042	31 1/32 × 24 1/4	1611386	OBD	OBD	OBD	OBD	OBD	OBD
DH21046	31 1/32 × 26 1/4	1611387	OBD	OBD	OBD	OBD	OBD	OBD
DH210410	31 1/32 × 28 1/4	1611388	OBD	OBD	OBD	OBD	OBD	OBD
DH21052	31 1/32 × 30 1/4	1611389	OBD	OBD	OBD	OBD	OBD	OBD
DH21056E	31 1/32 × 32 1/4	1611390	OBD	OBD	OBD	OBD	OBD	OBD
DH210510	31 1/32 × 34 1/4	1611391	OBD	OBD	OBD	OBD	OBD	OBD
DH21062	31 1/32 × 36 1/4	1611392	OBD	OBD	OBD	OBD	OBD	OBD

## Combination Units

Insect Screen - Double-Hung Combination Unit Ref No. 7 <a href="#">page 305</a>								
Unit No.	Dimensions (w x h)	White	Terra-tone®	Sandtone	Forest Green	Canvas	Dark Bronze	Black
DH30210	33 1/32 × 16 1/4	1611334	2710433	1149333	OBD	OBD	OBD	OBD
DH3032	33 1/32 × 18 1/4	1611335	2710434	1149334	OBD	OBD	OBD	OBD
DH3036	33 1/32 × 20 1/4	1611393	OBD	OBD	OBD	OBD	OBD	OBD
DH30310	33 1/32 × 22 1/4	1611336	2710435	1149335	OBD	OBD	OBD	OBD
DH3042	33 1/32 × 24 1/4	1611337	2710436	1149336	OBD	OBD	OBD	OBD
DH3046	33 1/32 × 26 1/4	1611338	2710437	1149337	OBD	OBD	OBD	OBD
DH30410	33 1/32 × 28 1/4	1611394	OBD	OBD	OBD	OBD	OBD	OBD
DH3052	33 1/32 × 30 1/4	1611339	2710438	1149338	OBD	OBD	OBD	OBD
DH3056E	33 1/32 × 32 1/4	1611340	2710439	1149339	OBD	OBD	OBD	OBD
DH3056C	33 1/32 × 38 1/4	OBD	OBD	OBD	OBD	OBD	OBD	OBD
DH30510	33 1/32 × 34 1/4	1611395	OBD	OBD	OBD	OBD	OBD	OBD
DH3062	33 1/32 × 36 1/4	1611341	2710440	1149340	OBD	OBD	OBD	OBD
DH34210	37 1/32 × 16 1/4	1611342	2710441	1149341	OBD	OBD	OBD	OBD
DH3432	37 1/32 × 18 1/4	1611343	2710442	1149342	OBD	OBD	OBD	OBD
DH3436	37 1/32 × 20 1/4	1611396	OBD	OBD	OBD	OBD	OBD	OBD
DH34310	37 1/32 × 22 1/4	1611344	2710443	1149343	OBD	OBD	OBD	OBD
DH3442	37 1/32 × 24 1/4	1611345	2710444	1149344	OBD	OBD	OBD	OBD
DH3446	37 1/32 × 26 1/4	1611346	2710445	1149345	OBD	OBD	OBD	OBD
DH34410	37 1/32 × 28 1/4	1611397	OBD	OBD	OBD	OBD	OBD	OBD
DH3452	37 1/32 × 30 1/4	1611347	2710446	1149346	OBD	OBD	OBD	OBD
DH3456E	37 1/32 × 32 1/4	1611348	2710447	1149347	OBD	OBD	OBD	OBD
DH3456C	37 1/32 × 38 1/4	OBD	OBD	OBD	OBD	OBD	OBD	OBD
DH34510	37 1/32 × 34 1/4	1611398	OBD	OBD	OBD	OBD	OBD	OBD
DH3462	37 1/32 × 36 1/4	1611349	2710448	1149348	OBD	OBD	OBD	OBD
DH38210	41 1/32 × 16 1/4	1611350	2710449	1149349	OBD	OBD	OBD	OBD
DH3832	41 1/32 × 18 1/4	1611351	2710450	1149350	OBD	OBD	OBD	OBD
DH3836	41 1/32 × 20 1/4	1611399	OBD	OBD	OBD	OBD	OBD	OBD
DH38310	41 1/32 × 22 1/4	1611352	2710451	1149351	OBD	OBD	OBD	OBD
DH3842	41 1/32 × 24 1/4	1611353	2710452	1149352	OBD	OBD	OBD	OBD
DH3846	41 1/32 × 26 1/4	1611354	2710453	1149353	OBD	OBD	OBD	OBD
DH38410	41 1/32 × 28 1/4	1611401	OBD	OBD	OBD	OBD	OBD	OBD
DH3852	41 1/32 × 30 1/4	1611355	2710454	1149354	OBD	OBD	OBD	OBD
DH3856E	41 1/32 × 32 1/4	1611356	2710455	1149355	OBD	OBD	OBD	OBD
DH3856C	41 1/32 × 38 1/4	OBD	OBD	OBD	OBD	OBD	OBD	OBD
DH38510	41 1/32 × 34 1/4	1611402	OBD	OBD	OBD	OBD	OBD	OBD
DH3862	41 1/32 × 36 1/4	1611357	2710456	1149356	OBD	OBD	OBD	OBD

# 400 Series Tilt-Wash (TW) Windows (1992 to Present)

*Standard Windows*

## Combination Units

### Frames - Double-Hung Combination Units

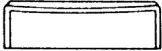

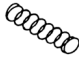
Frame - Double-Hung Combination Unit Ref No. 3 <a href="#">page 305</a>							
Unit No.	White	Terratone®	Sandtone	Forest Green	Canvas	Dark Bronze	Black
DH18210	OBD	OBD	OBD	OBD	OBD	OBD	OBD
DH1832	OBD	OBD	OBD	OBD	OBD	OBD	OBD
DH18310	1610703	OBD	OBD	OBD	OBD	OBD	OBD
DH1842	1610704	OBD	OBD	OBD	OBD	OBD	OBD
DH1846	1610705	OBD	OBD	OBD	OBD	OBD	OBD
DH1852	OBD	OBD	OBD	OBD	OBD	OBD	OBD
DH1856	1610707	OBD	OBD	OBD	OBD	OBD	OBD
DH1862	OBD	OBD	OBD	OBD	OBD	OBD	OBD
DH20210	OBD	OBD	OBD	OBD	OBD	OBD	OBD
DH2032	1610710	OBD	OBD	OBD	OBD	OBD	OBD
DH20310	OBD	2710311	OBD	OBD	OBD	OBD	OBD
DH2042	1610712	2710312	1149212	OBD	OBD	OBD	OBD
DH2046	1610713	OBD	OBD	OBD	OBD	OBD	OBD
DH2052	1610714	OBD	OBD	OBD	OBD	OBD	OBD
DH2056	1610715	OBD	OBD	OBD	OBD	OBD	OBD
DH2062	1610716	OBD	OBD	OBD	OBD	OBD	OBD
DH24210	1610717	OBD	OBD	OBD	OBD	OBD	OBD
DH2432	1610718	OBD	1149218	OBD	OBD	OBD	OBD
DH24310	1610719	OBD	1149219	OBD	OBD	OBD	OBD
DH2442	1610720	OBD	1149220	OBD	OBD	OBD	OBD
DH2446	1610721	2710321	OBD	OBD	OBD	OBD	OBD
DH2452	1610722	OBD	1149222	OBD	OBD	OBD	OBD
DH2456	1610723	OBD	1149223	OBD	OBD	OBD	OBD
DH2462	1610724	OBD	OBD	OBD	OBD	OBD	OBD
DH28210	1610725	OBD	OBD	OBD	OBD	OBD	OBD
DH2832	1610726	2710326	OBD	OBD	OBD	OBD	OBD
DH28310	1610727	OBD	OBD	OBD	OBD	OBD	OBD
DH2842	1610728	2710328	1149228	OBD	OBD	OBD	OBD
DH2846	1610729	OBD	OBD	OBD	OBD	OBD	OBD
DH2852	1610730	OBD	1149230	OBD	OBD	OBD	OBD
DH2856	1610731	OBD	1149231	OBD	OBD	OBD	OBD
DH2862	1610732	OBD	1149232	OBD	OBD	OBD	OBD
DH210210	1610780	OBD	OBD	OBD	OBD	OBD	OBD
DH30210	1610733	OBD	OBD	OBD	OBD	OBD	OBD
DH3032	1610734	2710334	1149234	OBD	OBD	OBD	OBD
DH30310	1610735	2710335	1149235	OBD	OBD	OBD	OBD
DH3042	1610736	OBD	OBD	OBD	OBD	OBD	OBD
DH3046	1610737	2710337	1149237	OBD	OBD	OBD	OBD

## Combination Units

Frame - Double-Hung Combination Unit Ref No. 3 <a href="#">page 305</a>							
Unit No.	White	Terratone®	Sandtone	Forest Green	Canvas	Dark Bronze	Black
DH3052	1610738	OBD	OBD	OBD	OBD	OBD	OBD
DH3056	1610739	OBD	OBD	OBD	OBD	OBD	OBD
DH3062	1610740	2710340	OBD	OBD	OBD	OBD	OBD
DH34210	1610741	OBD	OBD	OBD	OBD	OBD	OBD
DH3432	1610742	OBD	OBD	OBD	OBD	OBD	OBD
DH34310	1610743	OBD	OBD	OBD	OBD	OBD	OBD
DH3442	1610744	OBD	OBD	OBD	OBD	OBD	OBD
DH3446	1610745	OBD	OBD	OBD	OBD	OBD	OBD
DH3452	1610746	OBD	OBD	OBD	OBD	OBD	OBD
DH3456	1610747	OBD	OBD	OBD	OBD	OBD	OBD
DH3462	1610748	OBD	OBD	OBD	OBD	OBD	OBD
DH38210	1610749	OBD	1149249	OBD	OBD	OBD	OBD
DH3832	1610750	OBD	OBD	OBD	OBD	OBD	OBD
DH38310	1610751	OBD	OBD	OBD	OBD	OBD	OBD
DH3842	1610752	OBD	OBD	OBD	OBD	OBD	OBD
DH3846	1610753	OBD	OBD	OBD	OBD	OBD	OBD
DH3852	1610754	OBD	OBD	OBD	OBD	OBD	OBD
DH3856	1610755	OBD	OBD	OBD	OBD	OBD	OBD
DH3862	1610756	OBD	OBD	OBD	OBD	OBD	OBD

Frame - Round Bolt (1977 - 1979)
<p><b>Note:</b> Complete Frames - Round Bolt (1977 - 1979) are no longer available. Replace with Combination Unit - Double-Hung (1977 - Present).</p>

## Hardware and Parts - Double Hung Combination Units

Handle - Double Hung Combination Unit / Latch			
	<p><b>Note:</b> Stone color used on non-white combination units.</p>	<b>Finish</b>	<b>Order No.</b>
		White	1643010
		Stone	2743010
Latch Bolt - Double Hung Combination Unit (Pair) (1979 to current) Ref No. 8 <a href="#">page 305</a>			
			<b>Order No.</b>
			1643112
Latch Bolt Spring - Double Hung Combination Unit			
			<b>Order No.</b>
			1643014




# 400 Series Tilt-Wash (TW) Windows (1992 to Present)

Standard Windows

## Combination Units

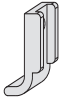
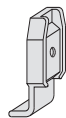
### Lock - Double Hung Combination Unit / Outer Frame Wing Blade (Pair) Ref No. 2 [page 305](#)

		<b>Order No.</b>
		2962216


### Lock - Insect Screen / Wing Blade with Housing (Pair) Ref No. 10 [page 305](#)

	<b>Note:</b> If 3 blades are needed, order 2 pair.	<b>Order No.</b>
		2962202


### Hinge Package with Screws - Double Hung Combination

  Narroline      Tilt-Wash and DC	<b>Package includes:</b> (2) Perma-Shield Narroline hinges (2) Tilt-Wash hinges Screws	<b>Color</b>	<b>Order No.</b>
		White	1643011
		Gray	2743007

### Weatherstrip - Combination Unit / Lower Panel Meeting Rail Baffle Ref No. 6 [page 305](#)

<b>Note:</b> Forest Green and Black units use Terratone color.		
	<b>Color</b>	<b>Order No.</b>
	White	8149104
	Terratone®	8149105
	Sandtone	9051501

### Weatherstrip - Combination Unit / Lower Panel Meeting Rail Baffle

	<b>Note:</b> Used on combination units from 1977 to 1994. Weatherstrip ships in 38 length. Cut down to size if shorter length is needed.	<b>Color</b>	<b>Order No.</b>
		White	9008488
		Terratone®	9008489
		Sandtone	9051502

## Hardware

### Fasteners

Screw - Head Jamb Liner			
	Description	Order No.	
	7/16" x 5/8 TYP A PHIL FLAT 302SS PASS	3621200	
Screw - Lock and Keeper			
	Description	Color	Order No.
See <a href="#">page 160</a> for locks and keepers.	6-10 x 3/4" PLS Z PH SP oval STL ZD	Stone	3620225
		White	3620226
		Gold Dust	9004465
		Black	9004466
		Bright Brass	9004467
		Satin Nickel	9004468
		Oil-Rubbed Bronze	9004469
		Antique Brass	9004470
		Brushed Chrome	9004471
		Polished Chrome	9004472
Gold Dust	9004465		
Screw - Reinforcement Bracket			
	Description	Neutral	
	8-18 x 3/4" TYP 17	0904112	
Screw - Mull			
	Description	Neutral	
	1 3/8" x #8 F.H.	3621998	
Screw - Outer Frame Members			
	Description	Neutral	
	2 1/4" x #8 F.H.	3621541	
	Description	Color	Neutral
	6-10 X 3/4 PLS 2 PH SP OVAL STL ZD	White/Pine	3620225
		Stone	3620226
		Gold Dust	9004465
		Black	9004466
		Bright Brass	9004467
		Satin Nickel	9004468
		Oil-Rubbed Bronze	9004469
		Antique Brass	9004470
		Brushed Chrome	9004471
		Polished Chrome	9004472

## 400 Series Tilt-Wash (TW) Windows (1992 to Present)

*Standard Windows*

### Hardware


Screw			
	Description	Color	Order No.
	10X 2-1/2 TYP A PH FLT HD 18-8SS	Terratone®	1630418
		Canvas	9087232
Screw - Pivot Pin			
	Description	Neutral	
	6-10 x 3/4 SCR5 Oval Hd	3621996	
Screw - Pivot Pin			
	Description	Neutral	
	10-12 X 1.000 TYP 17 PH FL 302 SS PASS	2579413	

### Installation Kit

#### Installation Kit - Windows

**Note:**

Used for rectangular openings up to 46" x 72". See [Installation Guide 9080775](#).

	<p><b>Kit Includes:</b></p> <ul style="list-style-type: none"> <li>(1) Backer Rod - 20'</li> <li>(64) Shims</li> <li>(54) Fasteners</li> <li>(1) Flashing Tape - 24'</li> <li>(1) Sill Flashing Tape - 5'</li> <li>(1) Insulating Foam - 12 oz. can</li> <li>(1) Sealant - 10.1 oz. tube</li> <li>Labels</li> <li>Installation Guide</li> </ul>	<p><b>Order No.</b></p> <p>9080773</p>
--	---	--

#### Installation Kit - TW / Through The Jamb

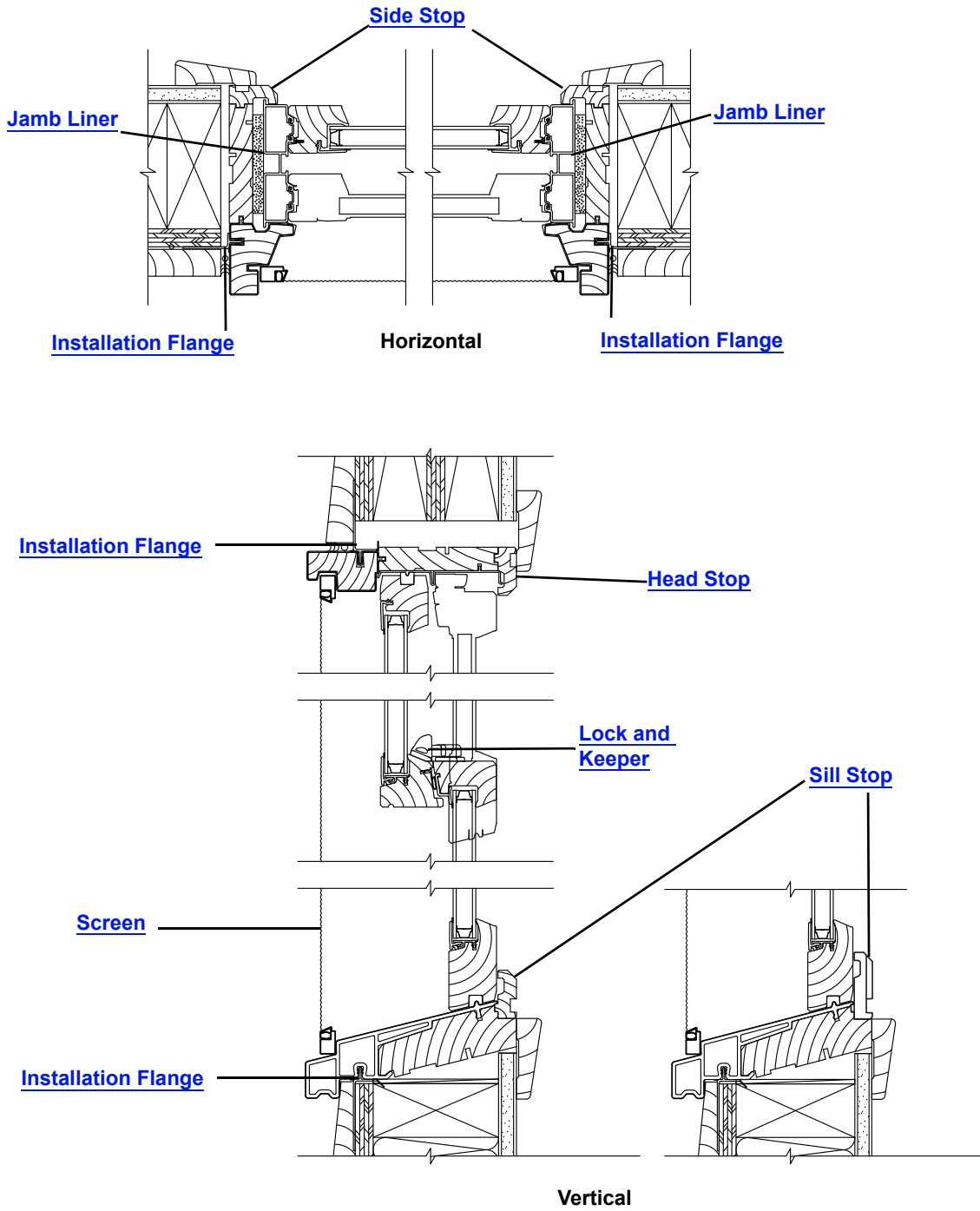
**Note:**

Used for units installed through the jamb. See [Installation Guide 9177035](#).

	<p><b>Kit Includes:</b></p> <ul style="list-style-type: none"> <li>(1) Backer Rod - 20'</li> <li>(8) Installation Shims 1/32"</li> <li>(32) Installation Shims 1/16"</li> <li>(10) Fasteners</li> <li>(20) Hole Plugs (10 White/10 Gray)</li> <li>Installation Guide</li> </ul>	<p><b>Order No.</b></p> <p>9176420</p>
--	---	--

# Frames

## Frame Assembly



# 400 Series Tilt-Wash (TW) Windows (1992 to Present)

Standard Windows

## Frames

### Frames

**Note:**

Service Replacement only.

*To order, state:*

**Product ID (from product label, see [Service Guide 9051877](#))**

*OR*

1. Unit size (400TW standard size or 400TW custom W x H dimensions)
2. Unit sash ratio (Even, Cottage, Rev Cottage)
3. Description of part (Replacement Frame)
4. Manufacturing Date (1992- August 2017 / PG30) or (September 2017- Present / DP40)
5. Exterior color of frame
6. Interior finish of inside stops
7. Jamb liner color (white or grey)
8. Glass Type (required when ordering frame w/ balancers)

### Frame - Tilt Wash (DC)

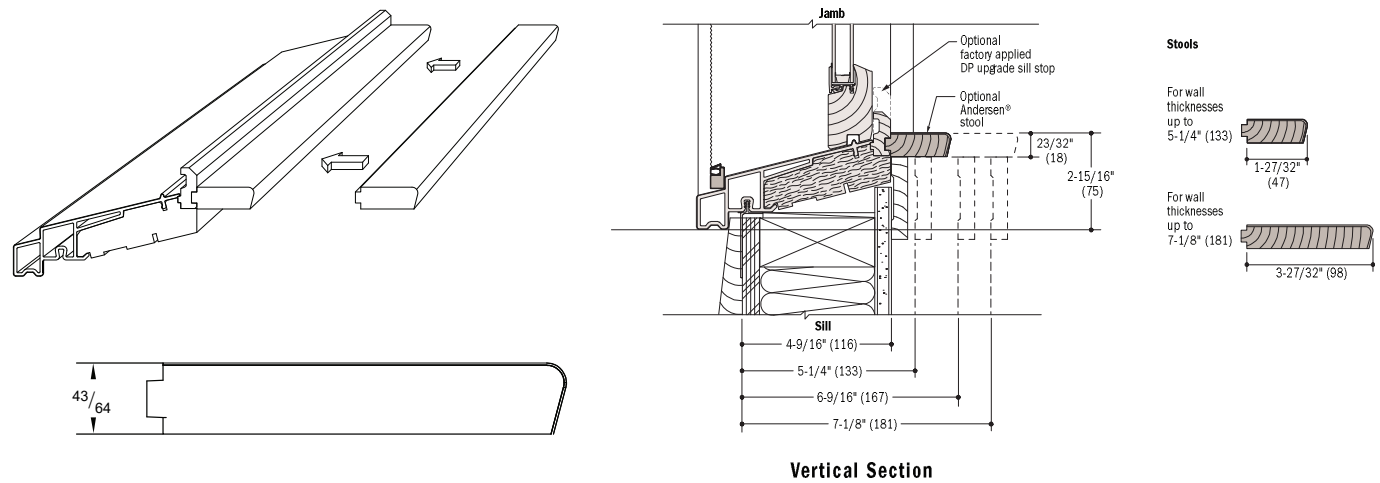
**Note:**

Tilt-Wash (DC) frames are no longer available. Use TW for replacement.

## Frames

### Stools

**Note:** See [Architectural Detail](#). Stool ends are tapered. See additional drawing on [page 333](#).



**Tilt-Wash (DC) and Tilt-Wash II (TW) Stool**

### Stool - Single

Unit No.	Length	Natural Wood		Prefinished Interior White		Dark Bronze		Black	
		4 9/16"	6 9/16"	4 9/16"	6 9/16"	4 9/16"	6 9/16"	4 9/16"	6 9/16"
TW18	27	1613660	1613750	1617760	1630860	9199985	9200043	9199869	9199927
TW20	31	1613661	1613751	1617761	1630861	9199986	9200044	9199870	9199928
TW24	35	1613662	1613752	1617762	1630862	9199987	9200045	9199871	9199929
TW26	37	1613658	1613771	1617758	1630849	9199983	9200041	9199867	9199925
TW28	39	1613663	1613753	1617763	1630863	9199988	9200046	9199872	9199930
TW210	41	1613659	1613772	1617759	1630858	9199984	9200042	9199868	9199926
TW30	43	1613664	1613754	1617764	1630864	9199989	9200047	9199873	9199931
TW34	47	1613665	1613755	1617765	1630865	9199990	9200048	9199874	9199932
TW38	51	1613666	1613756	1617766	1630866	9199991	9200049	9199875	9199933
TW44	55	OBD	OBD	OBD	OBD	OBD	OBD	OBD	OBD
TW50	59	OBD	OBD	OBD	OBD	OBD	OBD	OBD	OBD
TW58	63	OBD	OBD	OBD	OBD	OBD	OBD	OBD	OBD
100'	100	1613690	9051557	1617790	9051556				

## 400 Series Tilt-Wash (TW) Windows (1992 to Present)

*Standard Windows*

### Frames

Stool - Double Mull									
Unit No.	Length	Natural Wood		Prefinished Interior White		Dark Bronze		Black	
		4 9/16"	6 9/16"	4 9/16"	6 9/16"	4 9/16"	6 9/16"	4 9/16"	6 9/16"
TW18-2	48 1/2	1613670	1613757	1617770	1630870	9199992	9200050	9199876	9199934
TW20-2	56 1/2	1613671	1613758	1617771	1630871	9199993	9200051	9199877	9199935
TW24-2	64 1/2	1613672	1613759	1617772	1630872	9199994	9200052	9199878	9199936
TW26-2	68 1/2	1613677	1613773	1617777	1630877	9199999	9200057	9199883	9199941
TW28-2	72 1/2	1613673	1613760	1617773	1630873	9199995	9200053	9199879	9199937
TW210-2	76 1/2	1613678	1613774	1617778	1630878	9200000	9200058	9199884	9199942
TW30-2	80 1/2	1613674	1613761	1617774	1630874	9199996	9200054	9199880	9199938
TW34-2	88 1/2	1613675	1613762	1617775	1630875	9199997	9200055	9199881	9199939
TW38-2	96 1/2	1613676	1613763	1617776	1630876	9199998	9200056	9199882	9199940

Stool - Triple Mull									
Unit No.	Length	Natural Wood		Prefinished Interior White		Dark Bronze		Black	
		4 9/16"	6 9/16"	4 9/16"	6 9/16"	4 9/16"	6 9/16"	4 9/16"	6 9/16"
TW18-3	69 15/16	1613680	1613764	1617780	1630880	9200001	9200059	9199885	9199943
TW20-3	81 15/16	1613681	1613765	1617781	1630881	9200002	9200060	9199886	9199944
TW24-3	93 15/16	1613682	1613766	1617782	1630882	9200003	9200061	9199887	9199945
TW26-3	102 15/16	1613687	1613775	1617787	1630887	9200008	9200066	9199892	9199950
TW28-3	105 15/16	1613683	1613767	1617783	1630883	9200004	9200062	9199888	9199946
TW210-3	111 15/16	1613688	1613776	1617788	1630888	9200009	9200067	9199893	9199951
TW30-3	117 15/16	1613684	1613768	1617784	1630884	9200005	9200063	9199889	9199947
TW34-3	129 15/16	1613685	1613769	1617785	1630885	9200006	9200064	9199890	9199948
TW38-3	141 15/16	1613686	1613770	1617786	1630886	9200007	9200065	9199891	9199949

## Frames

Stool - 4 9/16"					
Unit No.	Natural Wood	White	Unit No.	Natural Wood	White
TW10-20-10	1613511	1617611	TW18-28-18	1613527	1617627
TW10-24-10	1613512	1617612	TW18-210-18	1613528	1617628
TW10-26-10	1613513	1617613	TW18-30-18/DC20-24-20	1613529	1617629
TW10-28-10	1613514	1617614	TW18-34-18/DC20-28-20	1613530	1617630
TW10-210-10	1613515	1617615	TW18-38-18/DC20-30-20	1613531	1617631
TW10-30-10	1613516	1617616	TW18-310-18	1613532	1617632
TW10-34-10	1613517	1617617	TW18-410-18/DC20-42-20	1613534	1617634
TW10-38-10	1613518	1617618	TW18-56-18/DC20-410-20	1613535	1617635
TW10-310-10	1613519	1617619	TW18-62-18/DC20-56-20	1613536	1617636
TW10-42-10	1613520	1617620	TW20-26-20	1613538	1617638
TW10-410-10	1613521	1617621	TW20-210-20	1613540	1617640
TW10-56-10	1613522	1617622	TW20-34-20	1613542	1617642
TW10-62-10	1613523	1617623	TW20-38-20	1613543	1617643
TW18-20-18	1613524	1617624	TW20-310-20	1613544	1617644
TW18-24-18	1613525	1617625	TW20-62-20	1613548	1617648
TW18-26-18	1613526	1617626			

Stool - 6 9/16"					
Unit No.	Natural Wood	White	Unit No.	Natural Wood	White
TW10-20-10	1613551	1630811	TW18-28-18	1613567	1630827
TW10-24-10	1613552	1630812	TW18-210-18	1613568	1630828
TW10-26-10	1613553	1630813	TW18-30-18/DC20-24-20	1613569	1630829
TW10-28-10	1613554	1630814	TW18-34-18/DC20-28-20	1613570	1630830
TW10-210-10	1613555	1630815	TW18-38-18/DC20-30-20	1613571	1630831
TW10-30-10	1613556	1630816	TW18-310-18	1613572	1630832
TW10-34-10	1613557	1630817	TW18-410-18/DC20-42-20	1613574	1630834
TW10-38-10	1613558	1630818	TW18-56-18/DC20-410-20	1613575	1630835
TW10-310-10	1613559	1630819	TW18-62-18/DC20-56-20	1613576	1630836
TW10-42-10	1613560	1630820	TW20-26-20	1613578	1630838
TW10-410-10	1613561	1630821	TW20-210-20	1613580	1630840
TW10-56-10	1613562	1630822	TW20-34-20	1613582	1630842
TW10-62-10	1613563	1630823	TW20-38-20	1613583	1630843
TW18-20-18	1613564	1630824	TW20-310-20	1613584	1630844
TW18-24-18	1613565	1630825	TW20-62-20	1613588	1630848
TW18-26-18	1613566	1630826			



# 400 Series Tilt-Wash (TW) Windows (1992 to Present)

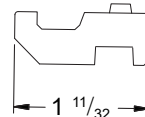
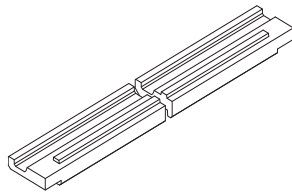
Standard Windows

## Frames

### Stops (9/2017 - Present)

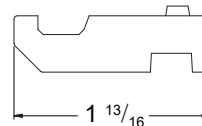
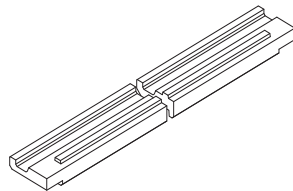
Note:

#### Stop - Head (9/2017 - Present)



Unit No.	Length	Natural Wood	White	Terra-tone®	Sandtone	Forest Green	Canvas	Dark Bronze	Black
TW18	21 <sup>9</sup> / <sub>16</sub>	1686860	1642240	9201188	9201146	9201189	9201206	9201226	9201243
TW20	25 <sup>9</sup> / <sub>16</sub>	1686861	1642241	9201190	9201147	9201191	9201207	9201227	9201244
TW24	29 <sup>9</sup> / <sub>16</sub>	1686862	1642242	9201192	9201148	9201193	9201208	9201228	9201245
TW26	31 <sup>9</sup> / <sub>16</sub>	1686868	1642252	9201202	9201153	9201203	9201213	9201233	9201250
TW28	33 <sup>9</sup> / <sub>16</sub>	1686863	1642243	9201194	9201149	9201195	9201209	9201229	9201246
TW210	35 <sup>9</sup> / <sub>16</sub>	1686869	1642253	9201204	9201154	9201205	9201214	9201234	9201251
TW30	37 <sup>9</sup> / <sub>16</sub>	1686864	1642244	9201196	9201150	9201197	9201210	9201230	9201247
TW34	41 <sup>9</sup> / <sub>16</sub>	1686865	1642245	9201198	9201151	9201199	9201211	9201231	9201248
TW38	45 <sup>9</sup> / <sub>16</sub>	1686866	1642246	9201200	9201152	9201201	9201212	9201232	9201249

#### Stop - Sill (9/2017 - Present)



Unit No.	Length	Natural Wood	White	Terra-tone®	Sandtone	Forest Green	Canvas	Dark Bronze	Black
TW18	21 <sup>9</sup> / <sub>16</sub>	9160424	9160525	9201374	9201343	9201334	9201283	9201303	9201263
TW20	25 <sup>9</sup> / <sub>16</sub>	9160425	9160526	9201375	9201344	9201335	9201284	9201304	9201264
TW24	29 <sup>9</sup> / <sub>16</sub>	9160426	9160527	9201376	9201345	9201336	9201285	9201305	9201265
TW26	31 <sup>9</sup> / <sub>16</sub>	9160431	9160532	9201381	9201350	9201341	9201290	9201310	9201270
TW28	33 <sup>9</sup> / <sub>16</sub>	9160427	9160528	9201377	9201346	9201337	9201286	9201306	9201266
TW210	35 <sup>9</sup> / <sub>16</sub>	9160432	9160533	9201382	9201351	9201342	9201291	9201311	9201271
TW30	37 <sup>9</sup> / <sub>16</sub>	9160428	9160529	9201378	9201347	9201338	9201287	9201307	9201267
TW34	41 <sup>9</sup> / <sub>16</sub>	9160429	9160530	9201379	9201348	9201339	9201288	9201308	9201268
TW38	45 <sup>9</sup> / <sub>16</sub>	9160430	9160531	9201380	9201349	9201340	9201289	9201309	9201269

## Frames

<b>Stop - Side (9/2017 - Present)</b>									
<b>Note:</b> The length of this side stop is approximately 1/2" shorter than the previous vintage side stop.									
Unit No.	Length	Natural Wood	White	Terratone®	Sandtone	Forest Green	Canvas	Dark Bronze	Black
TW210	31 <sup>31</sup> / <sub>32</sub>	9160434	9160517	9201363	9201352	9201323	9201292	9201320	9201280
TW32	35 <sup>31</sup> / <sub>32</sub>	9160435	9160518	9201364	9201353	9201324	9201293	9201321	9201281
TW36	39 <sup>31</sup> / <sub>32</sub>	9160442	9160534	9201365	9201360	9201325	9201300	9201322	9201282
TW310	43 <sup>31</sup> / <sub>32</sub>	9160436	9160519	9201366	9201354	9201326	9201294	9201312	9201272
TW42	47 <sup>31</sup> / <sub>32</sub>	9160437	9160520	9201367	9201355	9201327	9201295	9201313	9201273
TW46	51 <sup>31</sup> / <sub>32</sub>	9160438	9160521	9201368	9201356	9201328	9201296	9201314	9201274
TW410	55 <sup>31</sup> / <sub>32</sub>	9160443	9160535	9201369	9201361	9201329	9201301	9201318	9201278
TW52	59 <sup>31</sup> / <sub>32</sub>	9160439	9160522	9201370	9201357	9201330	9201297	9201315	9201275
TW56	63 <sup>31</sup> / <sub>32</sub>	9160440	9160523	9201371	9201358	9201331	9201298	9201316	9201276
TW510	67 <sup>31</sup> / <sub>32</sub>	9160433	9160536	9201372	9201362	9201332	9201302	9201319	9201279
TW62	71 <sup>31</sup> / <sub>32</sub>	9160441	9160524	9201373	9201359	9201333	9201299	9201317	9201277

<b>Stop - Side / Upper Monumental Sizes (9/2017 - Present)</b>					
Unit No.	Length	Natural Wood	Prefinished Interior White	Natural Wood	Prefinished Interior White
		Upper Left		Upper Right	
TW72	41 <sup>1</sup> / <sub>2</sub>	OBD/Configured	OBD/Configured	OBD/Configured	OBD/Configured
TW76	43 <sup>1</sup> / <sub>2</sub>	OBD/Configured	OBD/Configured	OBD/Configured	OBD/Configured

<b>Stop - Side / Lower Monumental Sizes (9/2017 - Present)</b>					
Unit No.	Length	Natural Wood	Prefinished Interior White	Natural Wood	Prefinished Interior White
		Lower Left		Lower Right	
TW72	39 <sup>3</sup> / <sub>4</sub>	OBD/Configured	OBD/Configured	OBD/Configured	OBD/Configured
TW76	41 <sup>3</sup> / <sub>4</sub>	OBD/Configured	OBD/Configured	OBD/Configured	OBD/Configured

# 400 Series Tilt-Wash (TW) Windows (1992 to Present)

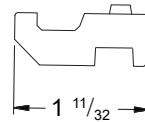
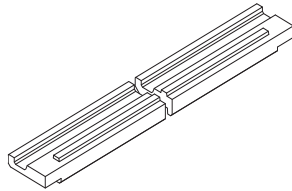
Standard Windows

## Frames

### Vintage Stops (1992 - 8/2017)

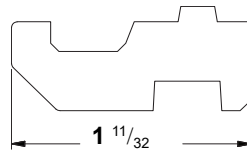
Note:

#### Stop - Head/Sill (1992 - 8/2017)



Unit No.	Length	Natural Wood	White	Terra-tone®	Sandtone	Forest Green	Canvas	Dark Bronze	Black
TW18	21 <sup>9</sup> / <sub>16</sub>	1686860	1642240	9201188	9201146	9201189	9201206	9201226	9201243
TW20	25 <sup>9</sup> / <sub>16</sub>	1686861	1642241	9201190	9201147	9201191	9201207	9201227	9201244
TW24	29 <sup>9</sup> / <sub>16</sub>	1686862	1642242	9201192	9201148	9201193	9201208	9201228	9201245
TW26	31 <sup>9</sup> / <sub>16</sub>	1686868	1642252	9201202	9201153	9201203	9201213	9201233	9201250
TW28	33 <sup>9</sup> / <sub>16</sub>	1686863	1642243	9201194	9201149	9201195	9201209	9201229	9201246
TW210	35 <sup>9</sup> / <sub>16</sub>	1686869	1642253	9201204	9201154	9201205	9201214	9201234	9201251
TW30	37 <sup>9</sup> / <sub>16</sub>	1686864	1642244	9201196	9201150	9201197	9201210	9201230	9201247
TW34	41 <sup>9</sup> / <sub>16</sub>	1686865	1642245	9201198	9201151	9201199	9201211	9201231	9201248
TW38	45 <sup>9</sup> / <sub>16</sub>	1686866	1642246	9201200	9201152	9201201	9201212	9201232	9201249

#### Stop - Side (1992 - 8/2017)



Unit No.	Length	Natural Wood	White	Terra-tone®	Sandtone	Forest Green	Canvas	Dark Bronze	Black
TW210	32 <sup>7</sup> / <sub>16</sub>	1642220	1642230						
TW32	36 <sup>7</sup> / <sub>16</sub>	1642221	1642231						
TW36	40 <sup>7</sup> / <sub>16</sub>	1642228	1642254						
TW310	44 <sup>7</sup> / <sub>16</sub>	1642222	1642232						
TW42	48 <sup>7</sup> / <sub>16</sub>	1642223	1642233						
TW46	52 <sup>7</sup> / <sub>16</sub>	1642224	1642234						
TW410	56 <sup>7</sup> / <sub>16</sub>	1642229	1642255						
TW52	60 <sup>7</sup> / <sub>16</sub>	1642225	1642235						
TW56	64 <sup>7</sup> / <sub>16</sub>	1642226	1642236						
TW510	68 <sup>7</sup> / <sub>16</sub>	1642219	1642256						
TW62	72 <sup>7</sup> / <sub>16</sub>	1642227	1642237						

## Frames

---

<b>Stop - Side / Upper Monumental Sizes) (2005 - 8/2017)</b>					
Unit No.	Length	Natural Wood	Prefinished Interior White	Natural Wood	Prefinished Interior White
		Upper Left		Upper Right	
<b>TW72</b>	<b>41</b> <sup>1/4</sup>	9046276	OBD/Configured	9046277	OBD/Configured
<b>TW76</b>	<b>43</b> <sup>1/4</sup>	9046280	OBD/Configured	9046281	OBD/Configured

<b>Stop - Side / Lower Monumental Sizes) (2005 - 8/2017)</b>					
Unit No.	Length	Natural Wood	Prefinished Interior White	Natural Wood	Prefinished Interior White
		Lower Left		Lower Right	
<b>TW72</b>	<b>39</b> <sup>15/16</sup>	9046278	OBD/Configured	9046279	OBD/Configured
<b>TW76</b>	<b>41</b> <sup>15/16</sup>	9046282	OBD/Configured	9046283	OBD/Configured

# 400 Series Tilt-Wash (TW) Windows (1992 to Present)

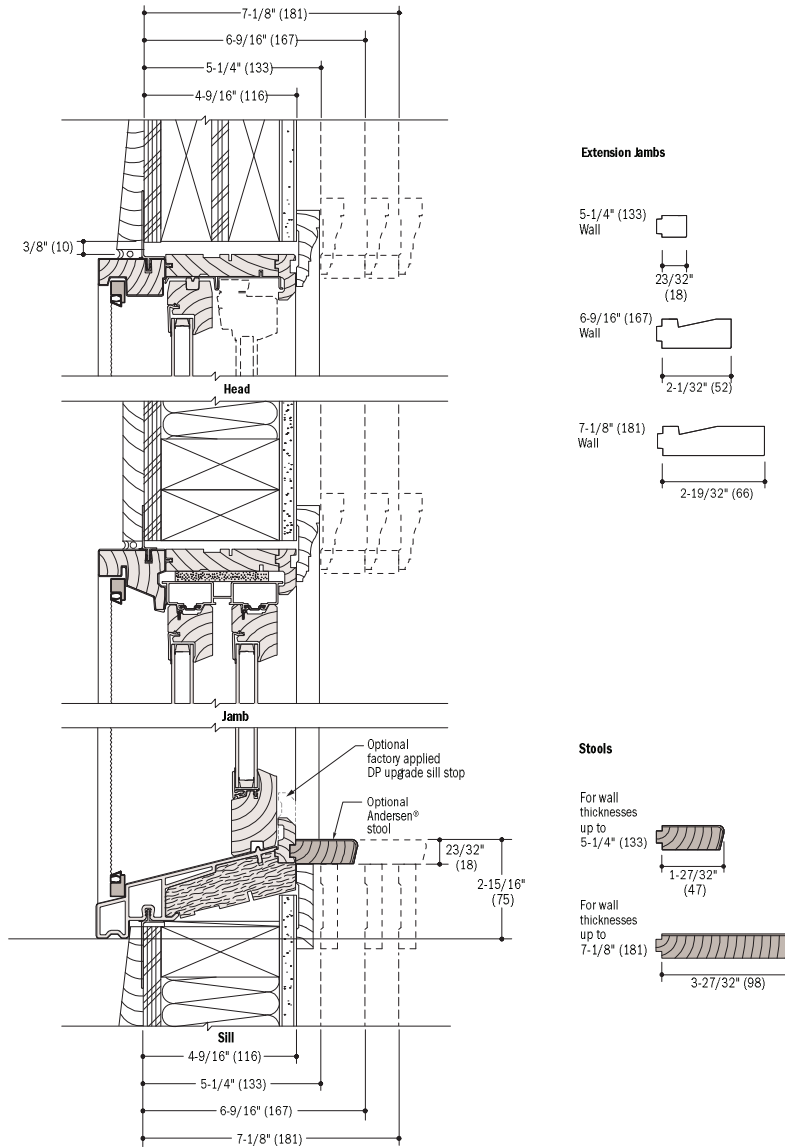
Standard Windows

## Frames

### Extension Jamb - Standard

**Note:**

Natural wood interior and prefinished interior white (painted) are available in three widths. Pre-drilling may be needed depending upon the application method, only pre-drill sides and head. Extension jambs may have a notched back for an alternative application method.



Vertical Section

Tilt-Wash (DC) and Tilt-Wash II (TW) Extension Jambs

## Frames

Extension Jamb / Wood - Head and Sill (Pair)														
Extension Jamb / Wood - Head and Sill (Pair)														
						<b>5 1/4" Wall</b>  $2\frac{3}{32}$			<b>6 9/16" Wall</b>  $2\frac{1}{32}$			<b>7 1/8" Wall</b>  $2\frac{19}{32}$		
Unit No.	Number Wide	Length	Pine			Oak			Maple					
			5 1/4" Wall	6 9/16" Wall	7 1/8" Wall	5 1/4" Wall	6 9/16" Wall	7 1/8" Wall	5 1/4" Wall	6 9/16" Wall	7 1/8" Wall			
<b>TW18</b>	One	21 5/8	1636130	1636230	1636330	9106363	9106474	9106249	9106402	9106503	9106288			
<b>TW20</b>		25 5/8	1636131	1636231	1636331	9106364	9106475	9106250	9106403	9106504	9106289			
<b>TW24</b>		29 5/8	1636132	1636232	1636332	9106365	9106476	9106251	9106404	9106505	9106290			
<b>TW26</b>		31 5/8	1636137	1636237	1636337	9106370	9106481	9106256	9106409	9106510	9106295			
<b>TW28</b>		33 5/8	1636133	1636233	1636333	9106366	9106477	9106252	9106405	9106506	9106291			
<b>TW210</b>		35 5/8	1636138	1636238	1636338	9106371	9106482	9106257	9106410	9106511	9106296			
<b>TW30</b>		37 5/8	1636134	1636234	1636334	9106367	9106478	9106253	9106406	9106507	9106292			
<b>TW34</b>		41 5/8	1636135	1636235	1636335	9106368	9106479	9106254	9106407	9106508	9106293			
<b>TW38</b>		45 5/8	1636136	1636236	1636336	9106369	9106480	9106255	9106408	9106509	9106294			
<b>TW18-2</b>	Two	43 5/16	1636620	1636630	1636640	9106385	9106484	9106268	9106424	9106513	9106307			
<b>TW20-2</b>		51 5/16	1636621	1636631	1636641	9106386	9106485	9106269	9106425	9106514	9106308			
<b>TW24-2</b>		59 5/16	1636622	1636632	1636642	9106387	9106486	9106270	9106426	9106515	9106309			
<b>TW26-2</b>		63 5/16	1636139	1636239	1636339	9106372	9106483	9106258	9106411	9106512	9106297			
<b>TW28-2</b>		67 5/16	1636623	1636633	1636643	9106388	9106487	9106271	9106427	9106516	9106310			
<b>TW210-2</b>		71 5/16	1636140	1636229	1636340	9106373	9106473	9106259	9106412	9106502	9106298			
<b>TW30-2</b>		75 5/16	1636624	1636634	1636644	9106389	9106488	9106272	9106428	9106517	9106311			
<b>TW34-2</b>		83 5/16	1636625	1636635	1636645	9106390	9106489	9106273	9106429	9106518	9106312			
<b>TW38-2</b>		91 5/16	1636626	1636636	1636646	9106391	9106490	9106274	9106430	9106519	9106313			

# 400 Series Tilt-Wash (TW) Windows (1992 to Present)

Standard Windows

## Frames

Extension Jamb / Painted - Head and Sill (Pair)														
Extension Jamb / Painted - Head and Sill (Pair)														
						<b>5 1/4" Wall</b>  $\frac{23}{32}$			<b>6 9/16" Wall</b>  <b>2 1/32</b>			<b>7 1/8" Wall</b>  <b>2 19/32</b>		
Unit No.	Number Wide	Length	Prefinished Interior											
			Painted											
			White			Sandtone	Dark Bronze			Black				
			5 1/4" Wall	6 9/16" Wall	7 1/8" Wall	6 9/16" Wall	5 1/4" Wall	6 9/16" Wall	7 1/8" Wall	5 1/4" Wall	6 9/16" Wall	7 1/8" Wall		
<b>TW18</b>	One	21 5/8	1694654	1694613	1694695	9051636	9145725	9145707	9145743	9145127	9145109	9145145		
<b>TW20</b>		25 5/8	1694655	1694614	1694696	9051637	9145726	9145708	9145744	9145128	9145110	9145146		
<b>TW24</b>		29 5/8	1694656	1694615	1694697	9051638	9145727	9145709	9145745	9145129	9145111	9145147		
<b>TW26</b>		31 5/8	1694661	1694620	1694703	9051639	9145732	9145714	9145750	9145134	9145116	9145152		
<b>TW28</b>		33 5/8	1694657	1694616	1694698	9051640	9145728	9145710	9145746	9145130	9145112	9145148		
<b>TW210</b>		35 5/8	1694681	1694640	1694723	9051641	9145740	9145722	9145758	9145142	9145124	9145160		
<b>TW30</b>		37 5/8	1694658	1694617	1694699	9051642	9145729	9145711	9145747	9145131	9145113	9145149		
<b>TW34</b>		41 5/8	1694659	1694618	1694701	9051643	9145730	9145712	9145748	9145132	9145114	9145150		
<b>TW38</b>		45 5/8	1694660	1694619	1694702	9051644	9145731	9145713	9145749	9145133	9145115	9145151		
<b>TW18-2</b>	Two	43 5/16	1694662	1694621	1694704	9051645	9145751	9145715	9145751	9145135	9145117	9145153		
<b>TW20-2</b>		51 5/16	1694663	1694622	1694705	9051646	9145734	9145716	9145752	9145136	9145118	9145154		
<b>TW24-2</b>		59 5/16	1694664	1694623	1694706	9051647	9145735	9145717	9145753	9145137	9145119	9145155		
<b>TW26-2</b>		63 5/16	1694682	1694641	1694724	9051648	9145741	9145723	9145759	9145143	9145125	9145161		
<b>TW28-2</b>		67 5/16	1694665	1694624	1694707	9051649	9145736	9145718	9145754	9145138	9145120	9145156		
<b>TW210-2</b>		71 5/16	1694653	1694612	1694694	9051650	9145724	9145706	9145742	9145126	9145108	9145144		
<b>TW30-2</b>		75 5/16	1694666	1694625	1694708	9051651	9145737	9145719	9145755	9145139	9145121	9145157		
<b>TW34-2</b>		83 5/16	1694667	1694626	1694709	9051652	9145738	9145720	9145756	9145140	9145122	9145158		
<b>TW38-2</b>		91 5/16	1694668	1694627	1694710	9051653	9145739	9145721	9145757	9145141	9145123	9145159		

## Frames

### Extension Jamb / Wood - Side (Pair)

#### Extension Jamb / Wood - Side (Pair)

5 1/4" Wall



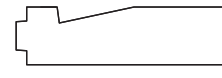
23/32

6 9/16" Wall



2 1/32

7 1/8" Wall



2 19/32

Unit No.	Length	Pine			Oak			Maple		
		5 1/4" Wall	6 9/16" Wall	7 1/8" Wall	5 1/4" Wall	6 9/16" Wall	7 1/8" Wall	5 1/4" Wall	6 9/16" Wall	7 1/8" Wall
TW210	33 1/4	1636120	1636220	1636320	9106355	9106465	9106241	9106394	9106494	9106280
TW32	37 1/4	1636121	1636221	1636321	9106356	9106466	9106242	9106395	9106495	9106281
TW36	41 1/4	1636141	1636213	1636313	9106374	9106462	9106238	9106413	9106491	9106277
TW310	45 1/4	1636122	1636222	1636322	9106357	9106467	9106243	9106396	9106496	9106282
TW42	49 1/4	1636123	1636223	1636323	9106358	9106468	9106244	9106397	9106497	9106283
TW46	53 1/4	1636124	1636224	1636324	9106359	9106469	9106245	9106398	9106498	9106284
TW410	57 1/4	1636142	1636215	1636315	9106375	9106463	9106239	9106414	9106492	9106278
TW52	61 1/4	1636125	1636225	1636325	9106360	9106470	9106246	9106399	9106499	9106285
TW56	65 1/4	1636126	1636226	1636326	9106361	9106471	9106247	9106400	9106500	9106286
TW510	69 1/4	1636143	1636217	1636317	9106376	9106464	9106240	9106415	9106493	9106279
TW62	73 1/4	1636127	1636227	1636327	9106362	9106472	9106248	9106401	9106501	9106287



# 400 Series Tilt-Wash (TW) Windows (1992 to Present)

Standard Windows

## Frames

### Extension Jamb / Painted - Side (Pair)

#### Extension Jamb / Painted - Side (Pair)

5 1/4" Wall



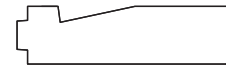
23/32

6 9/16" Wall



2 1/32

7 1/8" Wall



2 19/32

Unit No.	Length	Prefinished Interior									
		Painted									
		White			Sand-tone	Dark Bronze			Black		
		5 1/4" Wall	6 9/16" Wall	7 1/8" Wall	6 9/16" Wall	5 1/4" Wall	6 9/16" Wall	7 1/8" Wall	5 1/4" Wall	6 9/16" Wall	7 1/8" Wall
TW210	33 1/4	1694645	1694604	1694686	9051676	9145774	9145763	9145785	9145176	9145165	9145187
TW32	37 1/4	1694646	1694605	1694687	9051677	9145775	9145764	9145786	9145177	9145166	9145188
TW36	41 1/4	1694642	1694601	1694683	9051678	9145771	9145760	9145782	9145173	9145162	9145184
TW310	45 1/4	1694647	1694606	1694688	9051679	9145776	9145765	9145787	9145178	9145167	9145189
TW42	49 1/4	1694648	1694607	1694689	9051680	9145777	9145766	9145788	9145179	9145168	9145190
TW46	53 1/4	1694649	1694608	1694690	9051681	9145778	9145767	9145789	9145180	9145169	9145191
TW410	57 1/4	1694643	1694602	1694684	9051682	9145772	9145761	9145783	9145174	9145163	9145185
TW52	61 1/4	1694650	1694609	1694691	9051683	9145779	9145768	9145790	9145181	9145170	9145192
TW56	65 1/4	1694651	1694610	1694692	9051684	9145780	9145769	9145791	9145182	9145171	9145193
TW510	69 1/4	1694644	1694603	1694685	9051685	9145773	9145762	9145784	9145175	9145164	9145186
TW62	73 1/4	1694652	1694611	1694693	9051686	9145781	9145770	9145792	9145183	9145172	9145194

## Frames

Extension Jamb / Wood / Lineal								
Extension Jamb / Wood / Lineal								
Wall Depth	Dim A	Pine		Oak		Maple		
		96"	144"	96"	144"	96"	144"	
5"	5	<sup>15</sup> / <sub>32</sub>	N/A	N/A	N/A	N/A	N/A	N/A
	5 <sup>1</sup> / <sub>16</sub>	<sup>17</sup> / <sub>32</sub>	9104431	9104427	9104433	9104429	9104434	9104430
	5 <sup>1</sup> / <sub>8</sub>	<sup>19</sup> / <sub>32</sub>	9104439	9104435	9104441	9104437	9104442	9104438
	5 <sup>3</sup> / <sub>16</sub>	<sup>21</sup> / <sub>32</sub>	9104447	9104443	9104449	9104445	9104450	9104446
	5 <sup>1</sup> / <sub>4</sub>	<sup>23</sup> / <sub>32</sub>	1636627	1636628	9104419	9104416	9104420	9104417
	5 <sup>5</sup> / <sub>16</sub>	<sup>25</sup> / <sub>32</sub>	9104455	9104451	9104457	9104453	9104458	9104454
	5 <sup>3</sup> / <sub>8</sub>	<sup>27</sup> / <sub>32</sub>	9104463	9104459	9104465	9104461	9104466	9104462
	5 <sup>7</sup> / <sub>16</sub>	<sup>29</sup> / <sub>32</sub>	9104471	9104467	9104473	9104469	9104474	9104470
	5 <sup>1</sup> / <sub>2</sub>	<sup>31</sup> / <sub>32</sub>	9104479	9104475	9104481	9104477	9104482	9104478
	5 <sup>9</sup> / <sub>16</sub>	1 <sup>1</sup> / <sub>32</sub>	9104487	9104483	9104489	9104485	9104490	9104486
	5 <sup>5</sup> / <sub>8</sub>	1 <sup>3</sup> / <sub>32</sub>	9104495	9104491	9104497	9104493	9104498	9104494
	5 <sup>11</sup> / <sub>16</sub>	1 <sup>5</sup> / <sub>32</sub>	9104503	9104499	9104505	9104501	9104506	9104502
	5 <sup>3</sup> / <sub>4</sub>	1 <sup>7</sup> / <sub>32</sub>	9104511	9104507	9104513	9104509	9104514	9104510
	5 <sup>13</sup> / <sub>16</sub>	1 <sup>9</sup> / <sub>32</sub>	9104519	9104515	9104521	9104517	9104522	9104518
5 <sup>7</sup> / <sub>8</sub>	1 <sup>11</sup> / <sub>32</sub>	9104527	9104523	9104529	9104525	9104530	9104526	
5 <sup>15</sup> / <sub>16</sub>	1 <sup>13</sup> / <sub>32</sub>	9104535	9104531	9104537	9104533	9104538	9104534	
6"	6	1 <sup>15</sup> / <sub>32</sub>	9104543	9104539	9104545	9104541	9104546	9104542
	6 <sup>1</sup> / <sub>16</sub>	1 <sup>17</sup> / <sub>32</sub>	9104551	9104547	9104553	9104549	9104554	9104550
	6 <sup>1</sup> / <sub>8</sub>	1 <sup>19</sup> / <sub>32</sub>	9104559	9104555	9104561	9104557	9104562	9104558
	6 <sup>3</sup> / <sub>16</sub>	1 <sup>21</sup> / <sub>32</sub>	9104567	9104563	9104569	9104565	9104570	9104566
	6 <sup>1</sup> / <sub>4</sub>	1 <sup>23</sup> / <sub>32</sub>	9104575	9104571	9104577	9104573	9104578	9104574
	6 <sup>5</sup> / <sub>16</sub>	1 <sup>25</sup> / <sub>32</sub>	9104583	9104579	9104585	9104581	9104586	9104582
	6 <sup>3</sup> / <sub>8</sub>	1 <sup>27</sup> / <sub>32</sub>	9104591	9104587	9104593	9104589	9104594	9104590
	6 <sup>7</sup> / <sub>16</sub>	1 <sup>29</sup> / <sub>32</sub>	9104599	9104595	9104601	9104597	9104602	9104598
	6 <sup>1</sup> / <sub>2</sub>	1 <sup>31</sup> / <sub>32</sub>	9104607	9104603	9104609	9104605	9104610	9104606
	6 <sup>9</sup> / <sub>16</sub>	2 <sup>1</sup> / <sub>32</sub>	1636637	1636638	9104413	9104411	9104414	9104412
	6 <sup>5</sup> / <sub>8</sub>	2 <sup>3</sup> / <sub>32</sub>	9104615	9104611	9104617	9104613	9104618	9104614
	6 <sup>11</sup> / <sub>16</sub>	2 <sup>5</sup> / <sub>32</sub>	9104623	9104619	9104625	9104621	9104626	9104622
	6 <sup>3</sup> / <sub>4</sub>	2 <sup>7</sup> / <sub>32</sub>	9104631	9104627	9104633	9104629	9104634	9104630
	6 <sup>13</sup> / <sub>16</sub>	2 <sup>9</sup> / <sub>32</sub>	9104639	9104635	9104641	9104637	9104642	9104638
6 <sup>7</sup> / <sub>8</sub>	2 <sup>11</sup> / <sub>32</sub>	9104647	9104643	9104649	9104645	9104650	9104646	
6 <sup>15</sup> / <sub>16</sub>	2 <sup>13</sup> / <sub>32</sub>	9104655	9104651	9104657	9104653	9104658	9104654	
7"	7	2 <sup>15</sup> / <sub>32</sub>	9104663	9104659	9104665	9104661	9104666	9104662
	7 <sup>1</sup> / <sub>16</sub>	2 <sup>17</sup> / <sub>32</sub>	9104671	9104667	9104673	9104669	9104674	9104670
	7 <sup>1</sup> / <sub>8</sub>	2 <sup>19</sup> / <sub>32</sub>	1636647	1636648	9104425	9104422	9104426	9104423
	7 <sup>3</sup> / <sub>16</sub>	2 <sup>21</sup> / <sub>32</sub>	9204637	9204817	9204667	9204847	9204697	9204877
	7 <sup>1</sup> / <sub>4</sub>	2 <sup>23</sup> / <sub>32</sub>	9204638	9204818	9204668	9204848	9204698	9204878
	7 <sup>5</sup> / <sub>16</sub>	2 <sup>25</sup> / <sub>32</sub>	9204639	9204819	9204669	9204849	9204699	9204879
	7 <sup>3</sup> / <sub>8</sub>	2 <sup>27</sup> / <sub>32</sub>	9204640	9204820	9204670	9204850	9204700	9204880
	7 <sup>7</sup> / <sub>16</sub>	2 <sup>29</sup> / <sub>32</sub>	9204641	9204821	9204671	9204851	9204701	9204881
	7 <sup>1</sup> / <sub>2</sub>	2 <sup>31</sup> / <sub>32</sub>	9204642	9204822	9204672	9204852	9204702	9204882
	7 <sup>9</sup> / <sub>16</sub>	3 <sup>1</sup> / <sub>32</sub>	9204643	9204823	9204673	9204853	9204703	9204883
	7 <sup>5</sup> / <sub>8</sub>	3 <sup>3</sup> / <sub>32</sub>	9204644	9204824	9204674	9204854	9204704	9204884
	7 <sup>11</sup> / <sub>16</sub>	3 <sup>5</sup> / <sub>32</sub>	9204644	9204825	9204675	9204855	9204705	9204885
	7 <sup>3</sup> / <sub>4</sub>	3 <sup>7</sup> / <sub>32</sub>	9204646	9204826	9204676	9204856	9204706	9204886
	7 <sup>13</sup> / <sub>16</sub>	3 <sup>9</sup> / <sub>32</sub>	9204647	9204827	9204677	9204857	9204707	9204887
7 <sup>7</sup> / <sub>8</sub>	3 <sup>11</sup> / <sub>32</sub>	9204648	9204828	9204678	9204858	9204708	9204888	
7 <sup>15</sup> / <sub>16</sub>	3 <sup>13</sup> / <sub>32</sub>	9204649	9204829	9204679	9204859	9204709	9204889	

# 400 Series Tilt-Wash (TW) Windows (1992 to Present)

Standard Windows

## Frames

Extension Jamb / Wood / Lineal								
Extension Jamb / Wood / Lineal								
Wall Depth	Dim A	Pine		Oak		Maple		
		96"	144"	96"	144"	96"	144"	
<b>8"</b>	<b>8</b>	<b>3<sup>15/32</sup></b>	9204650	9204830	9204680	9204860	9204710	9204890
	<b>8<sup>1/16</sup></b>	<b>3<sup>17/32</sup></b>	9204651	9204831	9204681	9204861	9204711	9204891
	<b>8<sup>1/8</sup></b>	<b>3<sup>19/32</sup></b>	9204652	9204832	9204682	9204862	9204712	9204892
	<b>8<sup>3/16</sup></b>	<b>3<sup>21/32</sup></b>	9204653	9204833	9204683	9204863	9204713	9204893
	<b>8<sup>1/4</sup></b>	<b>3<sup>23/32</sup></b>	9204654	9204834	9204684	9204864	9204714	9204894
	<b>8<sup>5/16</sup></b>	<b>3<sup>25/32</sup></b>	9204655	9204835	9204685	9204865	9204715	9204895
	<b>8<sup>3/8</sup></b>	<b>3<sup>27/32</sup></b>	9204656	9204836	9204686	9204866	9204716	9204896
	<b>8<sup>7/16</sup></b>	<b>3<sup>29/32</sup></b>	9204657	9204837	9204687	9204867	9204717	9204897
	<b>8<sup>1/2</sup></b>	<b>3<sup>31/32</sup></b>	9204658	9204838	9204688	9204868	9204718	9204898
	<b>8<sup>9/16</sup></b>	<b>4<sup>1/32</sup></b>	9204659	9204839	9204689	9204869	9204719	9204899
	<b>8<sup>5/8</sup></b>	<b>4<sup>3/32</sup></b>	9204660	9204840	9204690	9204870	9204720	9204900
	<b>8<sup>11/16</sup></b>	<b>4<sup>5/32</sup></b>	9204661	9204841	9204691	9204871	9204721	9204901
	<b>8<sup>3/4</sup></b>	<b>4<sup>7/32</sup></b>	9204662	9204842	9204692	9204872	9204722	9204902
	<b>8<sup>13/16</sup></b>	<b>4<sup>9/32</sup></b>	9204663	9204843	9204693	9204873	9204723	9204903
<b>8<sup>7/8</sup></b>	<b>4<sup>11/32</sup></b>	9204664	9204844	9204694	9204874	9204724	9204904	
<b>8<sup>15/16</sup></b>	<b>4<sup>13/32</sup></b>	9204665	9204845	9204695	9204875	9204725	9204905	
<b>9"</b>	<b>9</b>	<b>4<sup>15/32</sup></b>	9204666	9204846	9204696	9204876	9204726	9204906

Extension Jamb / Painted / Lineal										
Extension Jamb / Painted / Lineal										
Wall Depth	Dim A	White Painted		White Vinyl Wrapped		Dark Bronze Painted		Black Painted		
		96"	144"	96"	144"	96"	144"	96"	144"	
<b>5"</b>	<b>5</b>	<b>1<sup>5/32</sup></b>	N/A	N/A	N/A	N/A	N/A	N/A	N/A	
	<b>5<sup>1/16</sup></b>	<b>1<sup>7/32</sup></b>	9104432	9104428	N/A	N/A	9145388	9145387	9144790	9144789
	<b>5<sup>1/8</sup></b>	<b>1<sup>9/32</sup></b>	9104440	9104436	N/A	N/A	9145390	9145389	9144792	9144791
	<b>5<sup>3/16</sup></b>	<b>1<sup>11/32</sup></b>	9104448	9104444	N/A	N/A	9145392	9145391	9144794	9144793
	<b>5<sup>1/4</sup></b>	<b>1<sup>13/32</sup></b>	9104418	9104415	N/A	N/A	9145384	9145383	9144786	9144785
	<b>5<sup>5/16</sup></b>	<b>1<sup>15/32</sup></b>	9104456	9104452	N/A	N/A	9145394	9145393	9144796	9144795
	<b>5<sup>3/8</sup></b>	<b>1<sup>17/32</sup></b>	9104464	9104460	N/A	N/A	9145396	9145395	9144798	9144797
	<b>5<sup>7/16</sup></b>	<b>1<sup>19/32</sup></b>	9104472	9104468	N/A	N/A	9145398	9145397	9144800	9144799
	<b>5<sup>1/2</sup></b>	<b>1<sup>21/32</sup></b>	9104480	9104476	N/A	N/A	9145400	9145399	9144802	9144801
	<b>5<sup>9/16</sup></b>	<b>1<sup>23/32</sup></b>	9104488	9104484	N/A	N/A	9145402	9145401	9144804	9144803
	<b>5<sup>5/8</sup></b>	<b>1<sup>25/32</sup></b>	9104496	9104492	N/A	N/A	9145404	9145403	9144806	9144805
	<b>5<sup>11/16</sup></b>	<b>1<sup>27/32</sup></b>	9104504	9104500	N/A	N/A	9145406	9145405	9144808	9144807
	<b>5<sup>3/4</sup></b>	<b>1<sup>29/32</sup></b>	9104512	9104508	N/A	N/A	9145408	9145407	9144810	9144809
	<b>5<sup>13/16</sup></b>	<b>1<sup>31/32</sup></b>	9104520	9104516	N/A	N/A	9145410	9145409	9144812	9144811
	<b>5<sup>7/8</sup></b>	<b>1<sup>33/32</sup></b>	9104528	9104524	N/A	N/A	9145412	9145411	9144814	9144813
<b>5<sup>15/16</sup></b>	<b>1<sup>35/32</sup></b>	9104536	9104532	N/A	N/A	9145414	9145413	9144816	9144815	

### Frames

Extension Jamb / Painted / Lineal										
Extension Jamb / Painted / Lineal										
Wall Depth	Dim A	White Painted		White Vinyl Wrapped		Dark Bronze Painted		Black Painted		
		96"	144"	96"	144"	96"	144"	96"	144"	
6"	6	1 15/32	9104544	9104540	N/A	N/A	9145416	9145415	9144818	9144817
	6 1/16	1 17/32	9104552	9104548	N/A	N/A	9145418	9145417	9144820	9144819
	6 1/8	1 19/32	9104560	9104556	N/A	N/A	9145420	9145419	9144822	9144821
	6 3/16	1 21/32	9104568	9104564	N/A	N/A	9145422	9145421	9144824	9144823
	6 1/4	1 23/32	9104576	9104572	N/A	N/A	9145424	9145423	9144826	9144825
	6 5/16	1 25/32	9104584	9104580	N/A	N/A	9145426	9145425	9144828	9144827
	6 3/8	1 27/32	9104592	9104588	N/A	N/A	9145428	9145427	9144830	9144829
	6 7/16	1 29/32	9104600	9104596	N/A	N/A	9145430	9145429	9144832	9144831
	6 1/2	1 31/32	9104608	9104604	N/A	N/A	9145432	9145431	9144834	9144833
	6 9/16	2 1/32	1694628	1694629	N/A	N/A	9146080	9146081	9146066	9146067
	6 5/8	2 3/32	9104616	9104612	N/A	N/A	9145434	9145433	9144836	9144835
	6 11/16	2 5/32	9104624	9104620	N/A	N/A	9145436	9145435	9144838	9144837
	6 3/4	2 7/32	9104632	9104628	N/A	N/A	9145438	9145437	9144840	9144839
	6 13/16	2 9/32	9104640	9104636	N/A	N/A	9145440	9145439	9144842	9144841
	6 7/8	2 11/32	9104648	9104644	N/A	N/A	9145442	9145441	9144844	9144843
	6 15/16	2 13/32	9104656	9104652	N/A	N/A	9145444	9145443	9144846	9144845
7"	7	2 15/32	9104664	9104660	N/A	N/A	9145446	9145445	9144848	9144847
	7 1/16	2 17/32	9104672	9104668	N/A	N/A	9145448	9145447	9144850	9144849
	7 1/8	2 19/32	1694711	1694712	N/A	N/A	9145386	9145385	9144788	9144787
	7 3/16	2 21/32	9204727	9204907	N/A	N/A	9204757	9204937	9204787	9205302
	7 1/4	2 23/32	9204728	9204908	N/A	N/A	9204758	9204938	9204788	9205303
	7 5/16	2 25/32	9204729	9204909	N/A	N/A	9204759	9204939	9204789	9205304
	7 3/8	2 27/32	9204730	9204910	N/A	N/A	9204760	9204940	9204790	9205305
	7 7/16	2 29/32	9204731	9204911	N/A	N/A	9204761	9204941	9204791	9205306
	7 1/2	2 31/32	9204732	9204912	N/A	N/A	9204762	9204942	9204792	9205307
	7 9/16	3 1/32	9204733	9204913	N/A	N/A	9204763	9204943	9204793	9205308
	7 5/8	3 3/32	9204734	9204914	N/A	N/A	9204764	9204944	9204794	9205309
	7 11/16	3 5/32	9204735	9204915	N/A	N/A	9204765	9204945	9204795	9205310
	7 3/4	3 7/32	9204736	9204916	N/A	N/A	9204766	9204946	9204796	9205311
	7 13/16	3 9/32	9204737	9204917	N/A	N/A	9204767	9204947	9204797	9205312
	7 7/8	3 11/32	9204738	9204918	N/A	N/A	9204768	9204948	9204798	9205313
	7 15/16	3 13/32	9204739	9204919	N/A	N/A	9204769	9204949	9204799	9205314

# 400 Series Tilt-Wash (TW) Windows (1992 to Present)

Standard Windows

## Frames

Extension Jamb / Painted / Lineal										
Extension Jamb / Painted / Lineal										
Wall Depth	Dim A	White Painted		White Vinyl Wrapped		Dark Bronze Painted		Black Painted		
		96"	144"	96"	144"	96"	144"	96"	144"	
<b>8"</b>	<b>8</b>	<b>3 15/32</b>	9204740	9204920	N/A	N/A	9204770	9204950	9204800	9205315
	<b>8 1/16</b>	<b>3 17/32</b>	9204741	9204921	N/A	N/A	9204771	9204951	9204801	9205316
	<b>8 1/8</b>	<b>3 19/32</b>	9204742	9204922	N/A	N/A	9204772	9204952	9204802	9205317
	<b>8 3/16</b>	<b>3 21/32</b>	9204743	9204923	N/A	N/A	9204773	9204953	9204803	9205318
	<b>8 1/4</b>	<b>3 23/32</b>	9204744	9204924	N/A	N/A	9204774	9204954	9204804	9205319
	<b>8 5/16</b>	<b>3 25/32</b>	9204745	9204925	N/A	N/A	9204775	9204955	9204805	9205320
	<b>8 3/8</b>	<b>3 27/32</b>	9204746	9204926	N/A	N/A	9204776	9204956	9204806	9205321
	<b>8 7/16</b>	<b>3 29/32</b>	9204747	9204927	N/A	N/A	9204777	9204957	9204807	9205322
	<b>8 1/2</b>	<b>3 31/32</b>	9204748	9204928	N/A	N/A	9204778	9204958	9204808	9205323
	<b>8 9/16</b>	<b>4 1/32</b>	9204749	9204929	N/A	N/A	9204779	9204959	9204809	9205324
	<b>8 5/8</b>	<b>4 3/32</b>	9204750	9204930	N/A	N/A	9204780	9204960	9204810	9205325
	<b>8 11/16</b>	<b>4 5/32</b>	9204751	9204931	N/A	N/A	9204781	9205296	9204811	9205326
	<b>8 3/4</b>	<b>4 7/32</b>	9204752	9204932	N/A	N/A	9204782	9205297	9204812	9205327
	<b>8 13/16</b>	<b>4 9/32</b>	9204753	9204933	N/A	N/A	9204783	9205298	9204813	9205328
	<b>8 7/8</b>	<b>4 11/32</b>	9204754	9204934	N/A	N/A	9204784	9205299	9204814	9205329
<b>8 15/16</b>	<b>4 13/32</b>	9204755	9204935	N/A	N/A	9204785	9205300	9204815	9205330	
<b>9"</b>	<b>9</b>	<b>4 15/32</b>	9204756	9204936	N/A	N/A	9204786	9205301	9204816	9205331

Extension Jamb / Painted / Lineal									
Extension Jamb / Painted / Lineal									
Wall Depth	Dim A	Sandtone Painted		Forest Green		Canvas		Terratone®	
		96"	144"	96"	144"	96"	144"	96"	144"
<b>5"</b>	<b>5</b>	<b>1 15/32</b>	N/A	N/A					
			N/A	N/A					
<b>6"</b>	<b>6</b>	<b>1 15/32</b>	N/A	N/A					
	<b>6 9/16</b>	<b>2 1/32</b>	9164689	9164682	9164568	9164561	9164648	9164641	9164527

**Frames**

**Extension Jamb / Painted / Lineal**

**Extension Jamb / Painted / Lineal**

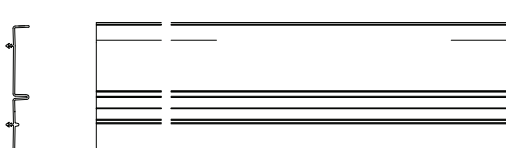
Wall Depth	Dim A	Sandtone Painted		Forest Green		Canvas		Terratone®	
		96"	144"	96"	144"	96"	144"	96"	144"
7"	7	2 15/32	N/A	N/A					
	7 1/16	2 17/32	N/A	N/A					
	7 1/8	2 19/32	N/A	N/A					
	7 3/16	2 21/32	N/A	N/A					
	7 1/4	2 23/32	N/A	N/A					
	7 5/16	2 25/32	N/A	N/A					
	7 3/8	2 27/32	N/A	N/A					
	7 7/16	2 29/32	N/A	N/A					
	7 1/2	2 31/32	N/A	N/A					
	7 9/16	3 1/32	N/A	N/A					
	7 5/8	3 3/32	N/A	N/A					
	7 11/16	3 5/32	N/A	N/A					
	7 3/4	3 7/32	N/A	N/A					
	7 13/16	3 9/32	N/A	N/A					
7 7/8	3 11/32	N/A	N/A						
7 15/16	3 13/32	N/A	N/A						
8"	8	3 15/32	N/A	N/A					
	8 1/16	3 17/32	N/A	N/A					
	8 1/8	3 19/32	N/A	N/A					
	8 3/16	3 21/32	N/A	N/A					
	8 1/4	3 23/32	N/A	N/A					
	8 5/16	3 25/32	N/A	N/A					
	8 3/8	3 27/32	N/A	N/A					
	8 7/16	3 29/32	N/A	N/A					
	8 1/2	3 31/32	N/A	N/A					
	8 9/16	4 1/32	N/A	N/A					
	8 5/8	4 3/32	N/A	N/A					
	8 11/16	4 5/32	N/A	N/A					
	8 3/4	4 7/32	N/A	N/A					
	8 13/16	4 9/32	N/A	N/A					
8 7/8	4 11/32	N/A	N/A						
8 15/16	4 13/32	N/A	N/A						
9"	9	4 15/32	N/A	N/A					

# 400 Series Tilt-Wash (TW) Windows (1992 to Present)

Standard Windows

## Frames

Jamb Liners					
Jamb Liner - Side					
<b>Note:</b> Handing for side Jamb Liners is determined based on the exterior view of the unit. Jamb liner includes balancer covers, chimney plug, head/sill plugs, wash assist, wash assist stop and weatherstrip.					
Unit No.	Length	White		Gray	
		Left	Right	Left	Right
<b>TW210</b>	34	1681160	1681170	2774390	2774290
<b>TW32</b>	38	1681161	1681171	2774391	2774291
<b>TW36</b>	42	1681159	1681178	2713722	2713716
<b>TW310</b> <i>(9/2017 - Present)</i>	46	9168699	9168700	9168702	9168701
<b>TW310</b> <i>(1992 - 8/2017)</i>	46	OBD	OBD	OBD	OBD
<b>TW310C</b>	46	1681472	9068871	2713736	9068870
<b>TW42</b>	50	1681163	1681173	2774393	2774293
<b>TW42C</b>	50	1681473	9068875	2713737	9068874
<b>TW46</b> <i>(4/2017 - Present)</i>	54	1681164	1681174	2774394	2774294
<b>TW46</b> <i>(1992 - 3/2017)</i>	54	OBD	OBD	OBD	OBD
<b>TW46C</b>	54	1681474	9068877	2713738	9068876
<b>TW410</b>	58	1681168	1681179	2713723	2713717
<b>TW410C</b>	58	1681476	9068873	2713731	9068872
<b>TW52</b>	62	1681165	1681175	2774395	2774295
<b>TW52C</b>	62	1681475	9068879	2713739	9068878
<b>TW56E</b>	66	1681715	1681716	2779902	2779901
<b>TW56C</b> <i>(4/2017 - Present)</i>	66	1681166	1681176	2774396	2774296
<b>TW56C</b> <i>(1992 - 3/2017)</i>	66	OBD	OBD	OBD	OBD
<b>TW510</b>	70	1681169	1681189	2713724	2713718
<b>TW62</b>	74	1681167	1681177	2774397	2774297
<b>TW72</b>	86	OBD	OBD	OBD	OBD
<b>TW76</b>	90	OBD	OBD	OBD	OBD

Liner with Label - Head Jamb <i>(2007 - Present)</i>				
<b>Note:</b> Units manufactured after 10/06 do not have head jamb liner screws. Screws are not included with the head jamb liner listed below. Liner secured by pressing two barbed legs into head jamb.				
	Unit No.	Length	White	Gray
	<b>TW18</b>	20	1682270	2775770
	<b>TW20</b>	24	1682271	2775771
	<b>TW24</b>	28	1682272	2775772
	<b>TW26</b>	30	1682277	2775777
	<b>TW28</b>	32	1682273	2775773
	<b>TW210</b>	34	1682278	2775778
	<b>TW30</b>	36	1682274	2775774
	<b>TW34</b>	40	1682275	2775775
	<b>TW38</b>	44	1682276	2775776

## Frames

Liner with Label - Head Jamb (1992 - 2006)					
<b>Note:</b> Single leg profile uses screws to secure. Order screws separately.					
	Unit No.	Length	No. of Screws	White	Gray
	TW18	20	3	1616950	2703770
	TW20	24	3	1616951	2703771
	TW24	28	3	1616952	2703772
	TW26	30	3	1618157	2703777
	TW28	32	3	1616953	2703773
	TW210	34	3	1618158	2703778
	TW30	36	3	1616954	2703774
	TW34	40	4	1616955	2703775
TW38	44	4	1616956	2703776	

Screw - Head Jamb Liner		
	Description	Order No.
	7-16 x 5/8 Typ A PH FL SS Pass	3621200

Jamb - Top Head Member			
<b>Note:</b> AB head filler piece 3/8" x 3 13/16". See <a href="#">Horizontal Joining Guide 0004378</a> .	Unit No.	Length	Order No.
	TW18	21 <sup>7</sup> / <sub>16</sub>	1630030
	TW20	25 <sup>7</sup> / <sub>16</sub>	1630031
	TW24	29 <sup>7</sup> / <sub>16</sub>	1630032
	TW28	33 <sup>7</sup> / <sub>16</sub>	1630033
	TW30	37 <sup>7</sup> / <sub>16</sub>	1630034
	TW34	41 <sup>7</sup> / <sub>16</sub>	1630035
	TW38	45 <sup>7</sup> / <sub>16</sub>	1630036

Wash Assist		
		Gray
		1643027

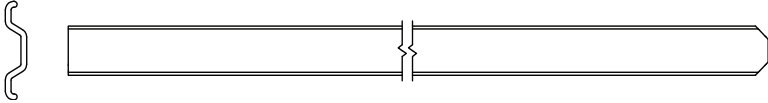
Stop - Wash Assist		
		Order No.
		1643028



# 400 Series Tilt-Wash (TW) Windows (1992 to Present)

Standard Windows

## Frames

<b>Balancer Cover</b>							
<b>Cover - Balancer</b>							
							
Unit No.	Length	White	Gray	Unit No.	Length	White	Gray
<b>TW210 Upper</b>	13 <sup>7</sup> / <sub>8</sub>	9170294	9170295	<b>TW410</b>	27 <sup>7</sup> / <sub>8</sub>	1618098	2713726
<b>TW210</b>	15 <sup>7</sup> / <sub>8</sub>	1618101	2712670	<b>TW52</b>	29 <sup>7</sup> / <sub>8</sub>	1618106	2712675
<b>TW32</b>	17 <sup>7</sup> / <sub>8</sub>	1618102	2712671	<b>TW56E</b>	31 <sup>7</sup> / <sub>8</sub>	1681719	2779905
<b>TW36</b>	19 <sup>7</sup> / <sub>8</sub>	1618097	2713725	<b>TW510</b>	33 <sup>7</sup> / <sub>8</sub>	1618099	2713727
<b>TW310 Upper</b> <i>(6/2017 - Present)</i>	20 <sup>3</sup> / <sub>8</sub>	9169132	9169134	<b>TW62</b>	35 <sup>7</sup> / <sub>8</sub>	1618108	2712677
<b>TW310 Vintage</b> <i>(1992 - 8/2017)</i>	21 <sup>7</sup> / <sub>8</sub>	1618103	2712672	<b>TW56RC Upper</b>	36 <sup>3</sup> / <sub>8</sub>	9171494	9171495
<b>TW310</b> <i>(6/2017 - Present)</i>	22 <sup>3</sup> / <sub>8</sub>	9169131	9169133	<b>TW62</b>	37 <sup>7</sup> / <sub>8</sub>	9171496	9171497
<b>TW42</b>	23 <sup>7</sup> / <sub>8</sub>	1618104	2712673	<b>TW56RC</b>	38 <sup>3</sup> / <sub>8</sub>	9171498	9171499
<b>TW46 Upper</b> <i>(6/2017 - Present)</i>	24 <sup>3</sup> / <sub>8</sub>	9170292	9170293	<b>TW72 Upper</b>	39 <sup>7</sup> / <sub>8</sub>	9170290	9170291
<b>TW46 Vintage</b> <i>(1992 - 5/2017)</i>	25 <sup>7</sup> / <sub>8</sub>	1618105	2712674	<b>TW72</b>	41 <sup>7</sup> / <sub>8</sub>	1650061	2700134
<b>TW46</b> <i>(6/2017 - Present)</i>	26 <sup>3</sup> / <sub>8</sub>	9162498	9162499	<b>TW76</b>	43 <sup>7</sup> / <sub>8</sub>	1650062	2700135

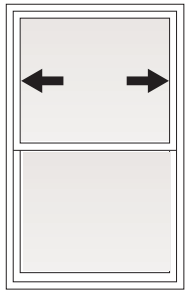
## Frames

### Balancer Cover Tables (6/2017 - Present)

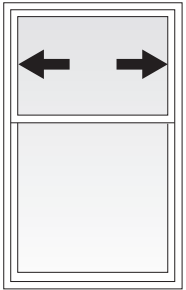
**Note:**

Upper balancer cover is 2" shorter than lower balancer cover.

#### Cover - Balancer / Even (6/2017 - Present)

	Unit No.	White		Gray	
		Upper	Lower	Upper	Lower
	<b>TW210</b>	9170294	1618101	9170295	2712670
	<b>TW32</b>	1618101	1618102	2712670	2712671
	<b>TW36</b>	1618102	1618097	2712671	2713725
	<b>TW310</b>	9169132	9169131	9169134	9169133
	<b>TW42</b>	1618103	1618104	2712672	2712673
	<b>TW46</b>	9170292	9162498	9170293	9162499
	<b>TW410</b>	1618105	1618098	2712674	2713726
	<b>TW52</b>	1618098	1618106	2713726	2712675
	<b>TW56E</b>	1618106	1681719	2712675	2779905
	<b>TW510</b>	1681719	1618099	2779905	2713727
	<b>TW62</b>	1618108	9171496	2712677	9171497
	<b>TW72</b>	9170290	1650061	9170291	2700134
	<b>TW76</b>	1650061	1650062	2700134	2700135

#### Cover - Balancer / Cottage (6/2017 - Present)

	Unit No.	White		Gray	
		Upper	Lower	Upper	Lower
	<b>TW32C</b>	9170294	1618101	9170295	2712670
	<b>TW36C</b>	9170294	1618101	9170295	2712670
	<b>TW310C</b>	1618101	1618102	2712670	2712671
	<b>TW42C</b>	1618102	1618097	2712671	2713725
	<b>TW46C</b>	1618097	1618103	2713725	2712672
	<b>TW410C</b>	1618097	1618103	2713725	2712672
	<b>TW52C</b>	1618103	1618104	2712672	2712673
	<b>TW56C</b>	9170292	9162498	9170293	9162499
	<b>TW510C</b>	1618104	1618105	2712673	2712674
	<b>TW62C</b>	1618105	1618098	2712674	2713726

# 400 Series Tilt-Wash (TW) Windows (1992 to Present)

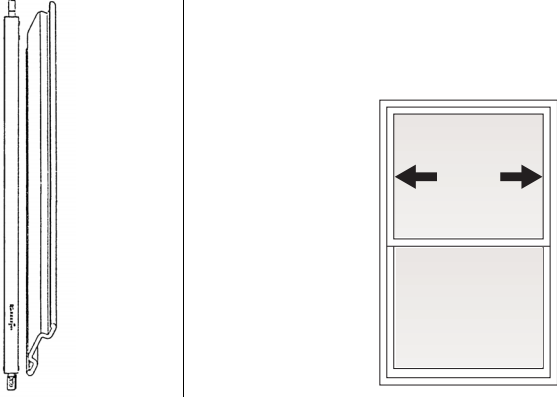
Standard Windows

## Frames

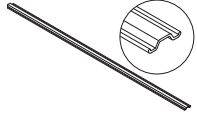
### Vintage Balancer Cover Table (1992 - 8/2017)

#### Cover - Balancer / Even (1992 - 8/2017)

**Note:**  
Used for both upper and lower balancer covers.

	Unit No.	White	Gray
	TW210	1618101	2712670
	TW32	1618102	2712671
	TW36	1618097	2713725
	TW310	1618103	2712672
	TW42	1618104	2712673
	TW46	1618105	2712674
	TW410	1618098	2713726
	TW52	1618106	2712675
	TW56E	1681719	2779905
	TW56	1618105	2712674
	TW510	1618099	2713727
	TW62	1618108	2712677
	TW72	1650061	2700134
TW76	1650062	2700135	

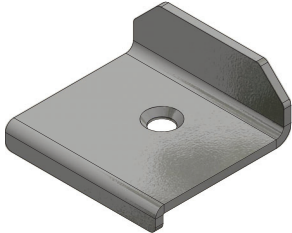
### Cover - Support

	Color	(1992 - 8/2017)	(9/2017 - Present)
		1"	4 5/8"
	White	1618109	9043713
	Gray	2712678	9043714

### Frame Hardware / Support Bracket

#### Reinforcement Support Bracket (9/2017 - Present)

**Note:**  
See [fastener](#)

	Order No.
	9160090

## Frames

<b>Flange</b>			
<b>Nailing Flange - Side (Pair)</b>			
	<b>Unit No.</b>	<b>Length</b>	<b>Order No.</b>
	<b>TW210</b>	<b>38</b> <sup>21</sup> / <sub>64</sub>	1635020
	<b>TW32</b>	<b>42</b> <sup>21</sup> / <sub>64</sub>	1635021
	<b>TW36</b>	<b>46</b> <sup>21</sup> / <sub>64</sub>	1635022
	<b>TW310</b>	<b>50</b> <sup>21</sup> / <sub>64</sub>	1635023
	<b>TW42</b>	<b>54</b> <sup>21</sup> / <sub>64</sub>	1635024
	<b>TW46</b>	<b>58</b> <sup>21</sup> / <sub>64</sub>	1635025
	<b>TW410</b>	<b>62</b> <sup>21</sup> / <sub>64</sub>	1635026
	<b>TW52</b>	<b>66</b> <sup>21</sup> / <sub>64</sub>	1635027
	<b>TW56</b>	<b>70</b> <sup>21</sup> / <sub>64</sub>	1635028
	<b>TW62</b>	<b>78</b> <sup>21</sup> / <sub>64</sub>	1635030
	<b>TW510</b>	<b>74</b> <sup>21</sup> / <sub>64</sub>	1635029
	<b>TW72</b>	<b>90</b> <sup>21</sup> / <sub>64</sub>	1635037
	<b>TW76</b>	<b>94</b> <sup>21</sup> / <sub>64</sub>	1635038
<b>Nailing Flange - Head and Sill</b>			
<b>Note:</b> Ships as one.			
	<b>Unit No.</b>	<b>Length</b>	<b>Order No.</b>
	<b>TW18</b>	<b>23</b> <sup>15</sup> / <sub>16</sub>	1625460
	<b>TW20</b>	<b>27</b> <sup>15</sup> / <sub>16</sub>	1625461
	<b>TW24</b>	<b>31</b> <sup>15</sup> / <sub>16</sub>	1625462
	<b>TW26</b>	<b>33</b> <sup>15</sup> / <sub>16</sub>	1625472
	<b>TW28</b>	<b>35</b> <sup>15</sup> / <sub>16</sub>	1625463
	<b>TW210</b>	<b>37</b> <sup>15</sup> / <sub>16</sub>	1625473
	<b>TW30</b>	<b>39</b> <sup>15</sup> / <sub>16</sub>	1625464
	<b>TW34</b>	<b>43</b> <sup>15</sup> / <sub>16</sub>	1625465
	<b>TW38</b>	<b>47</b> <sup>15</sup> / <sub>16</sub>	1625466

# 400 Series Tilt-Wash (TW) Windows (1992 to Present)

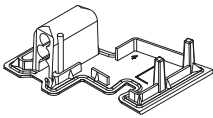
*Standard Windows*

## Frame Parts


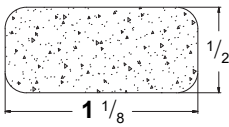
**Note:**

See Service Sharepoint site for additional information.

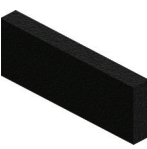
### Cap - Tilt Wash (TW) / Sill End (1996 - Present)

		<b>Color</b>	<b>Left</b>	<b>Right</b>
		White	3464802	3464803
		Terratone®	3464804	3464805
		Sandtone	3464806	3464807
		Forest Green	3467005	3467006
		Canvas	9047368	9047369
		Dark Bronze	9073804	9073805
Black	9127233	9127234		

### Foam - Side Jamb Liner

		<p><b>Note:</b> Order through jamb by the foot.</p>	<b>Standard</b>	<b>Through Jamb</b>
			9067498	By description
<b>Standard</b>	<b>Through Jamb</b>			

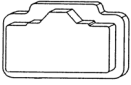
### Plug - Tilt Wash II (TW) / Lower Side Jamb (4/2017 - Present)

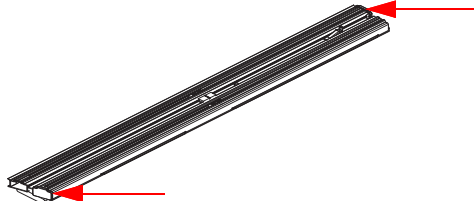
	<p><b>Note:</b> Black foam on side jamb behind liner at sill. Replaces previous vintage side jamb plug. See Service "Area" (9199026) for additional detail.</p>	<b>Dimensions</b>	<b>Order No.</b>
		$3 \frac{9}{32} \times 1 \frac{11}{32} \times \frac{3}{8}$	1643029

### Plug - Tilt Wash II (TW) / Lower Side Jamb (1992 - 3/2017)

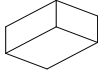
	<p><b>Note:</b> Black foam on side jamb behind liner at sill.</p>	<b>Dimensions</b>	<b>Order No.</b>
		$3 \frac{1}{2} \times \frac{5}{8} \times \frac{3}{8}$	N/A

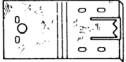
### Plug - Tilt Wash II (TW) / Balance Cavity

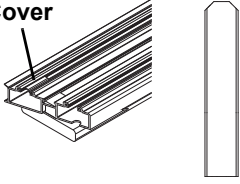
	<p><b>Note:</b> Four plugs used per unit. Two on top outside jamb liner channel and two on bottom inside jamb liner channel.</p>	<b>Order No.</b>
		1643025

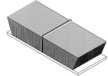


## Frames

Plug - Chimney Side Jamb Liner Weatherstrip / Conversion Kit			
		Dimensions	Order No.
		$3/4 \times 1/2 \times 3/8$	1636792

Clip - Side Jamb		
		Order No.
		1630908

Cover - Support				
		Color	1992 - 3/2017	4/2017 - Present
			1"	4 5/8"
		White	1618109	9043713
		Gray	2712678	9043714

Weatherstrip Pad - Check Rail Liner		
		Order No.
		9043854

Installation Kit - TTJ (Through the Jamb)						
<b>Note:</b> See <a href="#">Installation Guide 9177035</a> .						
		Order No.				
		9176420				
Hole Plug						
<b>Note:</b> Quantity of 6.	Color	Order No.				
	Gray	9044914				
	White	9045102				
Installation Shim Insert						
		Case of 2000				
		<table border="1"> <tr> <th>1/16"</th> <th>1/32"</th> </tr> <tr> <td>0112081</td> <td>0112082</td> </tr> </table>	1/16"	1/32"	0112081	0112082
1/16"	1/32"					
0112081	0112082					
Installation Screw - Double-Hung Units						
<b>Note:</b> #8 x 2" panhead Used to attach insert frame to existing opening.		Order No.				
		0112047				

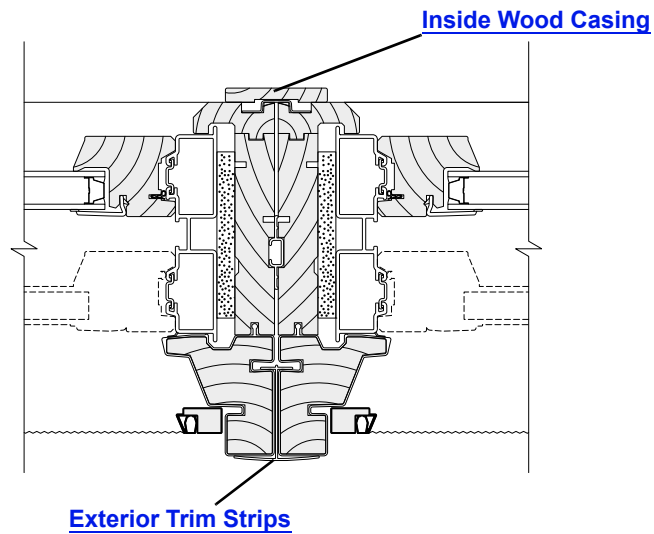
# 400 Series Tilt-Wash (TW) Windows (1992 to Present)

Standard Windows

Joining Components

Joining Components

## Narrow Mullion Illustration



Tilt-Wash II (TW) Narrow Mullion - 1996 to Present

## Joining Components

### Narrow Mullion Kit

#### Joining Kits - Vertical / Narrow Mullion

**Kit includes:**

Outside mull vertical trim, head gusset plate, sill gusset plate, narrow mullion clip, wide mull joining trim flashing, narrow mull alignment spacer. Inside [mull casing](#) is sold separately.

Unit No.	Length	White	Terratone®	Sandtone	Forest Green	Canvas	Dark Bronze	Black
<b>TW210</b>	<b>36</b> <sup>3</sup> / <sub>4</sub>	1612001	2711501	1141401	0312801	9069375	9077095	9129486
<b>TW32</b>	<b>40</b> <sup>3</sup> / <sub>4</sub>	1612002	2711502	1141402	0312802	9069376	9077096	9129487
<b>TW36</b>	<b>44</b> <sup>3</sup> / <sub>4</sub>	1612003	2711503	1141403	0312803	9069377	9077097	9129488
<b>TW310</b>	<b>48</b> <sup>3</sup> / <sub>4</sub>	1612004	2711504	1141404	0312804	9069378	9077098	9129489
<b>TW42</b>	<b>52</b> <sup>3</sup> / <sub>4</sub>	1612005	2711505	1141405	0312805	9069379	9077099	9129490
<b>TW46</b>	<b>56</b> <sup>3</sup> / <sub>4</sub>	1612006	2711506	1141406	0312806	9069380	9077100	9129491
<b>TW410</b>	<b>60</b> <sup>3</sup> / <sub>4</sub>	1612007	2711507	1141407	0312807	9069381	9077101	9129492
<b>TW52</b>	<b>64</b> <sup>3</sup> / <sub>4</sub>	1612008	2711508	1141408	0312808	9069382	9077102	9129493
<b>TW56</b>	<b>68</b> <sup>3</sup> / <sub>4</sub>	1612009	2711509	1141409	0312809	9069383	9077103	9129494
<b>TW510</b>	<b>72</b> <sup>3</sup> / <sub>4</sub>	1612010	2711510	1141410	0312810	9069384	9077104	9129495
<b>TW62</b>	<b>76</b> <sup>3</sup> / <sub>4</sub>	1612011	2711511	1141411	0312811	9069385	9077105	9129496



# 400 Series Tilt-Wash (TW) Windows (1992 to Present)

Standard Windows

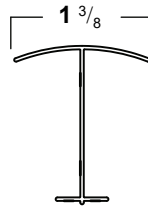
## Joining Components

### Narrow Mullion Kit Components

#### Exterior Trim Strip - Vertical Mullion

**Note:**

See Service "Area" (9199023) for additional information.

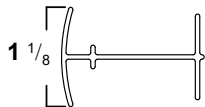


Unit No.	Length	White	Terratone®	Sandtone	Forest Green	Canvas	Dark Bronze	Black
TW210	36 3/4	1632915	2741715	1142415	0331786	9053166	9074039	9129254
TW32	40 3/4	1632916	2741716	1142416	0331787	9053167	9074040	9129255
TW36	44 3/4	1632917	2741717	1142417	3851356	9053168	9074041	9129321
TW310	48 3/4	1632918	2741718	1142418	0331789	9053169	9074042	9129256
TW42	52 3/4	1632919	2741719	1142419	0331790	9053170	9074043	9129257
TW46	56 3/4	1632920	2741720	1142420	0331791	9053171	9074044	9129322
TW410	60 3/4	1632921	2741721	1142421	3871240	9053172	9074045	9129323
TW52	64 3/4	1632922	2741722	1142422	0331793	9053173	9074046	9129324
TW56	68 3/4	1632923	2741723	1142423	0331794	9053174	9074047	9129258
TW510	72 3/4	1632924	OBD	1142424	OBD	9053175	9074048	OBD
TW62	76 3/4	1632925	2741725	1142425	0331796	9053176	9074049	9129259
150	150	1632926	2741726	1142426	0331797	9053177	9073178	9129320

#### Mull Trim [See illustration, page 351](#)

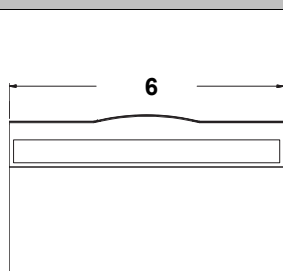
**Note:**

See [Joining Guide 0004378](#) for trim strip details used on horizontal mulls.



Length	White	Terratone®	Sandtone	Forest Green	Canvas	Dark Bronze	Black
48	0102713	0102726	0102725	0102727	9076696	9076929	9133084
84	0102728	0102730	0102729	0102731	9076697	9076930	9133085
150	0102732	0102734	0102733	0102735	9076698	9076931	9130022

#### Exterior Flashing - Narrow Mullion



Length	Color	Order No.
6 in	White	1642108
	Terratone®	2742108
	Sandtone	1152902
	Forest Green	0331798
	Canvas	9053178
	Dark Bronze	9073179
	Black	9127235

## Joining Components

Inside Casing <a href="#">See illustration, page 351</a>										
Unit No.	Length	Natural Wood Interior	Vinyl Wrapped White	Painted White	Painted Terratone®	Painted Sandtone	Painted Forest Green	Painted Canvas	Painted Dark Bronze	Painted Black
TW210	33 <sup>7</sup> / <sub>32</sub>	1611550	1624152	9051600	9051624	9051612				
TW32	37 <sup>7</sup> / <sub>32</sub>	1611551	1624153	9051601	9051625	9051613				
TW36	41 <sup>7</sup> / <sub>32</sub>	1611537	1624161	9051602	9051626	9051614				
TW310	45 <sup>7</sup> / <sub>32</sub>	1611552	1624154	9051603	9051627	9051615				
TW42	49 <sup>7</sup> / <sub>32</sub>	1611553	1624155	9051604	9051628	9051616				
TW46	53 <sup>7</sup> / <sub>32</sub>	1611554	1624156	9051605	9051629	9051617				
TW410	57 <sup>7</sup> / <sub>32</sub>	1611538	1624162	9051606	9051630	9051618				
TW52	61 <sup>7</sup> / <sub>32</sub>	1611555	1624157	9051607	9051631	9051619				
TW56	65 <sup>7</sup> / <sub>32</sub>	1611556	1624158	9051608	9051632	9051620				
TW510	69 <sup>7</sup> / <sub>32</sub>	1611539	1624163	9051609	9051633	9051621				
TW62	73 <sup>7</sup> / <sub>32</sub>	1611557	1624159	9051610	9051634	9051622				
TW120 IN	120	1611559	1624160	9051611	9051635	9051623	9173235	9173236	9173237	9173238
DH 8'	96	0873731	0873744							
DH 12'	144	0873732	0873745							

Accessory Package / Joining Kit	
<b>Kit Includes:</b> (8) Fasteners PH Pan HD 8-15 x 1 1/2 Typ A (16) Fasteners PH FL Stl Z-Y-D 8-10 x 1 3/8 (4) Mull Spacer (4) Mull Clip (2) Gusset Plate <a href="#">Joining Guide 0005367</a>	
<b>Order No.</b>	0102619

Gusset Plate			
		<b>Unit No.</b>	<b>Order No.</b>
		CTN/CTN/ET/DH	1359510
Gusset - Sill			
			<b>Order No.</b>
			1631010

# 400 Series Tilt-Wash (TW) Windows (1992 to Present)

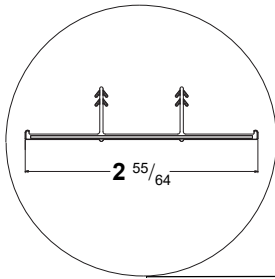
Standard Windows

## Joining Components

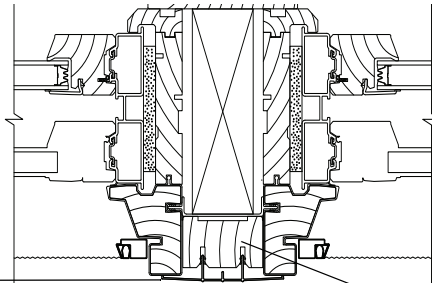
### Support Mullion Illustration

**Note:**

To replace filler or exterior trim strip, order joining kit.



Exterior Trim Strip



Filler

Tilt-Wash II (TW) Support Mullion

### Support Mullion Kit

Joining Kit - Support Mullion / DC-TW / DHP / NL to DC-TW / DHP / NL

Unit No.	Length	White	Terratone®	Sandtone	Forest Green	Canvas	Dark Bronze	Black
TW210	36 3/4	1611570	2712520	1141202	0312920	9069386	9077106	9129497
TW32	40 3/4	1611571	2712524	1141204	0312924	9069387	9077107	9129498
TW36	44 3/4	1611515	9051558	9051559	9051560	9069388	9077108	9129499
TW310	48 3/4	1611572	2712528	1141206	0312928	9069389	9077109	9129500
TW42	52 3/4	1611573	2712532	1141208	0312932	9069390	9077110	9129501
TW46	56 3/4	1611574	2712536	1141210	0312936	9069391	9077111	9129502
TW410	60 3/4	1611516	9051561	9051562	9051563	9069392	9077112	9129503
TW52	64 3/4	1611575	2712540	1141212	0312940	9069393	9077113	9129504
TW56	68 3/4	1611576	2712544	1141214	0312944	9069394	9077114	9129505
TW510	72 3/4	1611517	9051564	9051565	9051566	9069395	9077115	9129506
TW62	76 3/4	1611577	2712548	1141216	0312948	9069396	9077116	9129507

### Support Mullion Kit Components

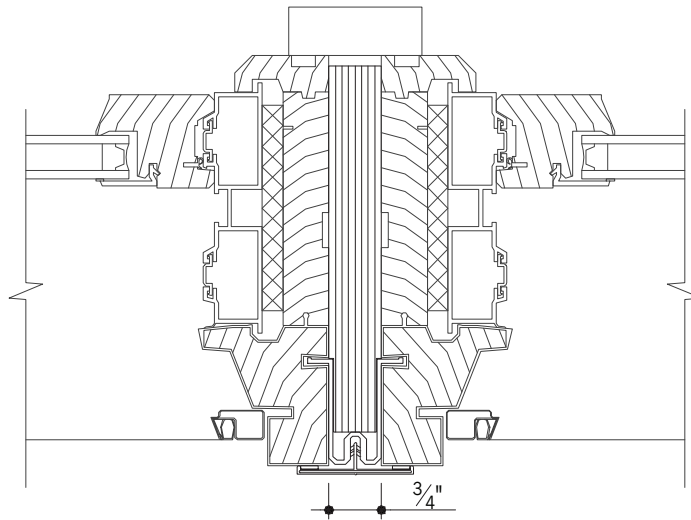
Exterior Flashing - Support Mullion

	Length	Color	Order No.
	6 in	White	1356012
		Terratone®	1456012
		Sandtone	0608404
		Forest Green	0514130
		Canvas	9033569
		Dark Bronze	9073186
		Black	9127238

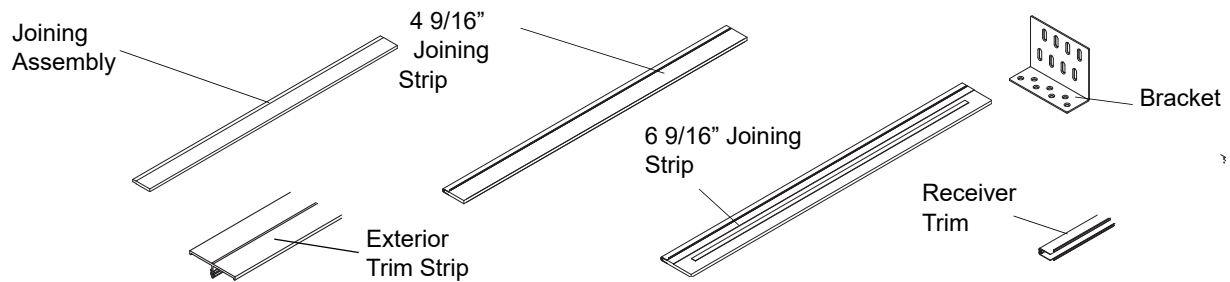
## Joining Components

### Reinforced LVL Mull Illustration

**Note:**  
See [Joining Guide 0005382](#).



### Reinforced LVL Joining Kit Components Illustration



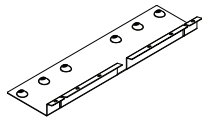

# 400 Series Tilt-Wash (TW) Windows (1992 to Present)

Standard Windows

## Joining Components

<b>Reinforced LVL Mull Joining Kits</b>								
<b>Joining Kit - LVL / One-Way / 4 9/16" Wall</b>								
<b>Kit Includes:</b>								
(1) Joining strip assembly								
(1) Exterior trim strip								
(1) Hardware pack								
Unit No	Length	White	Terratone®	Sandtone	Forest Green	Canvas	Dark Bronze	Black
TW62	6'	1601183	2700211	1100001	0300133	9076748	9076980	9129371
TW80	8'	1601196	2700199	1101134	0300216	9076755	9076987	9129378
<b>Joining Kit - LVL / One-Way / 6 9/16" Wall</b>								
<b>Kit Includes:</b>								
(1) Joining strip assembly								
(1) Exterior trim strip								
(1) Hardware pack								
Unit No	Length	White	Terratone®	Sandtone	Forest Green	Canvas	Dark Bronze	Black
TW62	6'	1601193	2700196	1101131	0300213	9076752	9076984	9129375
TW80	8'	1601194	2700197	1101132	0300214	9076753	9076985	9129376
TW100	10'	1601195	2700198	1101133	0300215	9076754	9076986	9129377
<b>Joining Kit - LVL Reinforced / 2-Way / 6 9/16" Wall</b>								
<b>Kit Includes:</b>								
(1) Joining strip assembly								
(1) Exterior trim strip								
(1) Hardware pack								
(4) Brackets								
Unit No.	Length	White	Terratone®	Sandtone	Forest Green	Canvas	Dark Bronze	Black
TW62	6'	1601184	2700212	1100002	0300134	9076749	9076981	9129372
TW80	8'	1601185	2700213	1100003	0300135	9076750	9076982	9129373
TW100	10'	1601186	2700214	1100004	0300136	9076751	9076983	9129374

## Joining Components

Reinforced LVL Mull Joining Kit Components			
<b>Intersection Bracket - LVL</b>			
	<b>Unit No</b>	<b>Order No.</b>	
	TW	1601635	
<b>Load Transfer Bracket - LVL</b>			
	<b>Unit No</b>	<b>Order No.</b>	
	TW	1601636	
<b>Joining Strip Assembly - 3/4" LVL / 4 9/16 Wall</b>			
	<b>Unit No</b>	<b>Order No.</b>	
	TW46	1600208	
	TW52	1600209	
	TW62	1600207	
	TW80	1600701	
<b>Casing - LVL</b>			
	<b>Length</b>	<b>Color</b>	<b>2 3/8"</b>
	74"	Pine	1916005
		White (Vinyl Wrapped)	1916006
		<b>White (Painted)</b>	9051698
		<b>Terratone® (Painted)</b>	9051700
		<b>Sandtone (Painted)</b>	9051699
		<b>Dark Bronze (Painted)</b>	9207381
		<b>Black (Painted)</b>	9207380
<b>Gusset Plate - LVL / Sill</b>			
		<b>Size</b>	<b>Order No.</b>
		12"	1600201
<b>Gusset Plate - 3/4" LVL / Head</b>			
		<b>Size</b>	<b>Order No.</b>
		12"	1600203

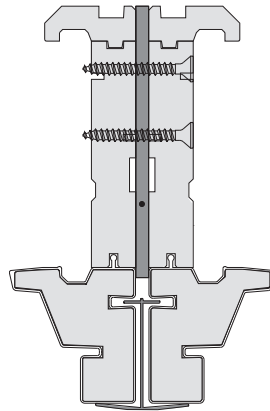
Exterior Trim Strip - LVL Joining								
Unit No.	Length	White	Terratone®	Sandtone	Forest Green	Canvas	Dark Bronze	Black
TW46	56 3/4	1601191	2700218	1100008	0300138	9069342	9073797	9129245
TW52	64 3/4	1601192	2700219	1100009	0300139	9069343	9073798	9129246
TW62	76 3/4	1601189	2700217	1100007	0300137	9069344	9073799	9129247
TW80	96	1300076	1400593	0600198	0501030	9069345	9073800	9129248
TW100	120	1300077	1400594	0600199	0501031	9039346	9083801	9129249

## Joining Components

### Reinforced Steel Mullion Illustration

Note:

See [Joining Guide 0005184](#).

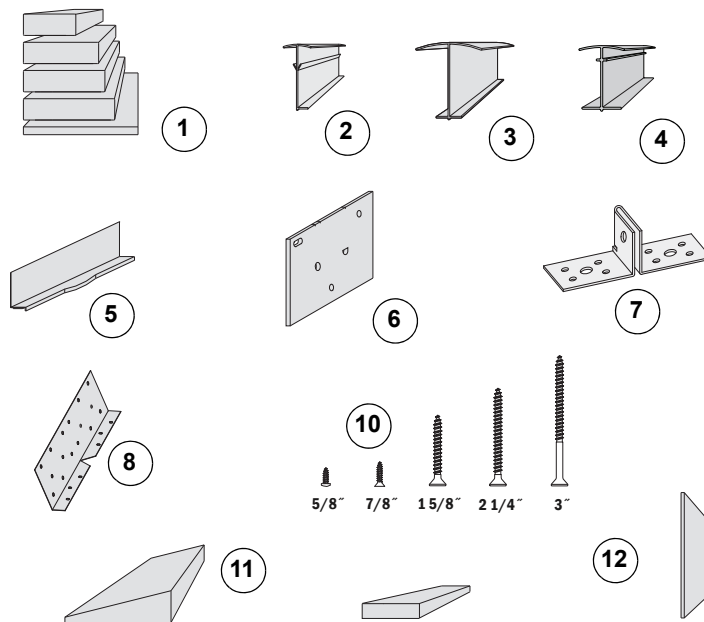


Steel Reinforced Narrow Mullion  
for Double-Hung Windows

### Reinforced Steel Mull Joining Components

Note:

See [Joining Guide 0005184](#).



Reinforced Steel Mull Joining Components  
for Double-Hung Windows

## Joining Components

### Inside Casing - Steel Reinforced Mullion Ref. No. 1 [page 359](#)

**Note:**  
Inside wood casing must be modified. See installation instructions.

		<b>Length</b>	<b>2 3/8"</b>	<b>2 5/8"</b>	<b>2 15/16"</b>
		96"	2340602	2340606	2340614
		144"	2340604	2340608	2340616

### Exterior Trim Strip - Transom/ RIA/ Horizontal Ref. No. 2 [page 359](#)

	<b>Length</b>	White	Terratone®	Sandtone	Forest Green	Canvas	Dark Bronze	Black
	150"	2340520	2340522	2340524	2340526	9087235	9087272	9129277

### Exterior Trim Strip - TW / Vertical Ref. No. 3 [page 359](#)

	<b>Length</b>	White	Terratone®	Sandtone	Forest Green	Canvas	Dark Bronze	Black
	150"	1632926	2741726	1142426	0331797	9053177	9073178	9129320

### Exterior Trim Strip - Transom/TWT/ Horizontal Ref. No. 4 [page 359](#)

	<b>Length</b>	White	Terratone®	Sandtone	Forest Green	Canvas	Dark Bronze	Black
	48"	0102713	0102726	0102725	0102727	9076696	9076929	9133084
	84"	0102728	0102730	0102729	0102731	9076697	9076930	9133085
	150"	0102732	0102734	0102733	0102735	9076698	9076931	9130022

### Exterior Narrow Mull Flashing Ref. No. 5 [page 359](#)

	<b>Length</b>	White	Terra-tone®	Sandtone	Forest Green	Canvas	Dark Bronze	Black
	6"	1642108	2742108	1152902	0331798	9053178	9073179	9127235

### Joining Strip - Steel Reinforced Mullion Ref. No. 6 [page 359](#)

		<b>Unit Size</b>	<b>Order No.</b>
		96 1/4"	2340406
		114"	2340408
		150"	2340410

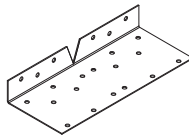


## 400 Series Tilt-Wash (TW) Windows (1992 to Present)

Standard Windows

<b>End Bracket - Steel</b> Ref. No. 7 <a href="#">page 359</a>				
		<table border="1" style="width: 100%; border-collapse: collapse;"> <thead> <tr style="background-color: #cccccc;"> <th style="padding: 2px;">Order No.</th> </tr> </thead> <tbody> <tr> <td style="padding: 2px;">2340424</td> </tr> </tbody> </table>	Order No.	2340424
Order No.				
2340424				

<b>Gusset Plate Kit - Steel Reinforced / Narrow Mullion</b>			
	Description	Finish	Order No.
	<b>Kit Includes:</b> (2) Gusset plates (10) Reinforced mull spacers (10) Reinforced mull wedges (4) Jamb liner plugs, (2) Fasteners #10 x 2 1/2" PH FL HD SS with colored head 188 (18) Fasteners #10 x 3" typ17 PHSP FL STL with colored head (18) Fasteners #10 x 2 1/4" typ17 PH SPFL STL with colored heads (8) Fasteners #8 x 7/8" PH FL SS mull track (18) Fasteners #10 x 1 5/8" PH FL STL with colored heads (16) Fasteners #8 x 5/8" typ17 PH #6 SS (1) Instruction sheet #0005184	White	2340418
		Terratone®	2340420
		Sandtone	2340417
		Forest Green	2340419
		Canvas	9087234
		Dark Bronze	9087271
		Black	9128443

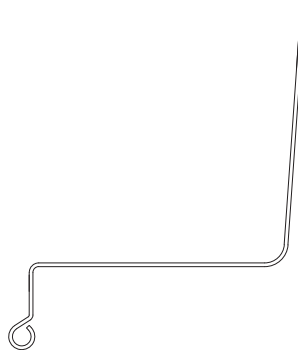
<b>Gusset Plate</b>				
		<table border="1" style="width: 100%; border-collapse: collapse;"> <thead> <tr style="background-color: #cccccc;"> <th style="padding: 2px;">Order No.</th> </tr> </thead> <tbody> <tr> <td style="padding: 2px;">2340426</td> </tr> </tbody> </table>	Order No.	2340426
Order No.				
2340426				

## Joining Components

### Universal Drip Cap - Continuous

**Note:**

Use on side-by-side or vertical joins mulled at the factory or distributor. Consists of 24 gauge aluminum material.



### Drip Cap - Continuous - 72"

Qty in Package	White	Terratone®	Sandtone	Forest Green	Canvas	Dark Bronze	Black
1	2222525	2222528	2222530	2222532	9003116	9020502	9003561
10	2222526	2222529	2222531	2222533	9003117	9020503	9003562
40	2222527	N/A	N/A	N/A	N/A	N/A	N/A

### Drip Cap - Continuous - 120"

Qty in Package	White	Terratone®	Sandtone	Forest Green	Canvas	Dark Bronze	Black
1	2222546	2222549	2222551	2222553	9003126	9020504	9003569
10	2222547	2222550	2222552	2222554	9003127	9020505	9003570
40	2222548	N/A	N/A	N/A	N/A	N/A	N/A

### Drip Cap - Continuous - 151 1/2"

Qty in Package	White	Terratone®	Sandtone	Forest Green	Canvas	Dark Bronze	Black
1	2222555	2222557	2222559	2222561	9003130	9020506	9003577
10	2222556	2222558	2222560	2222562	9003131	9020507	9003578

# 400 Series Tilt-Wash (TW) Windows (1992 to Present)

Angle Bay Windows

## Angle Bay Windows

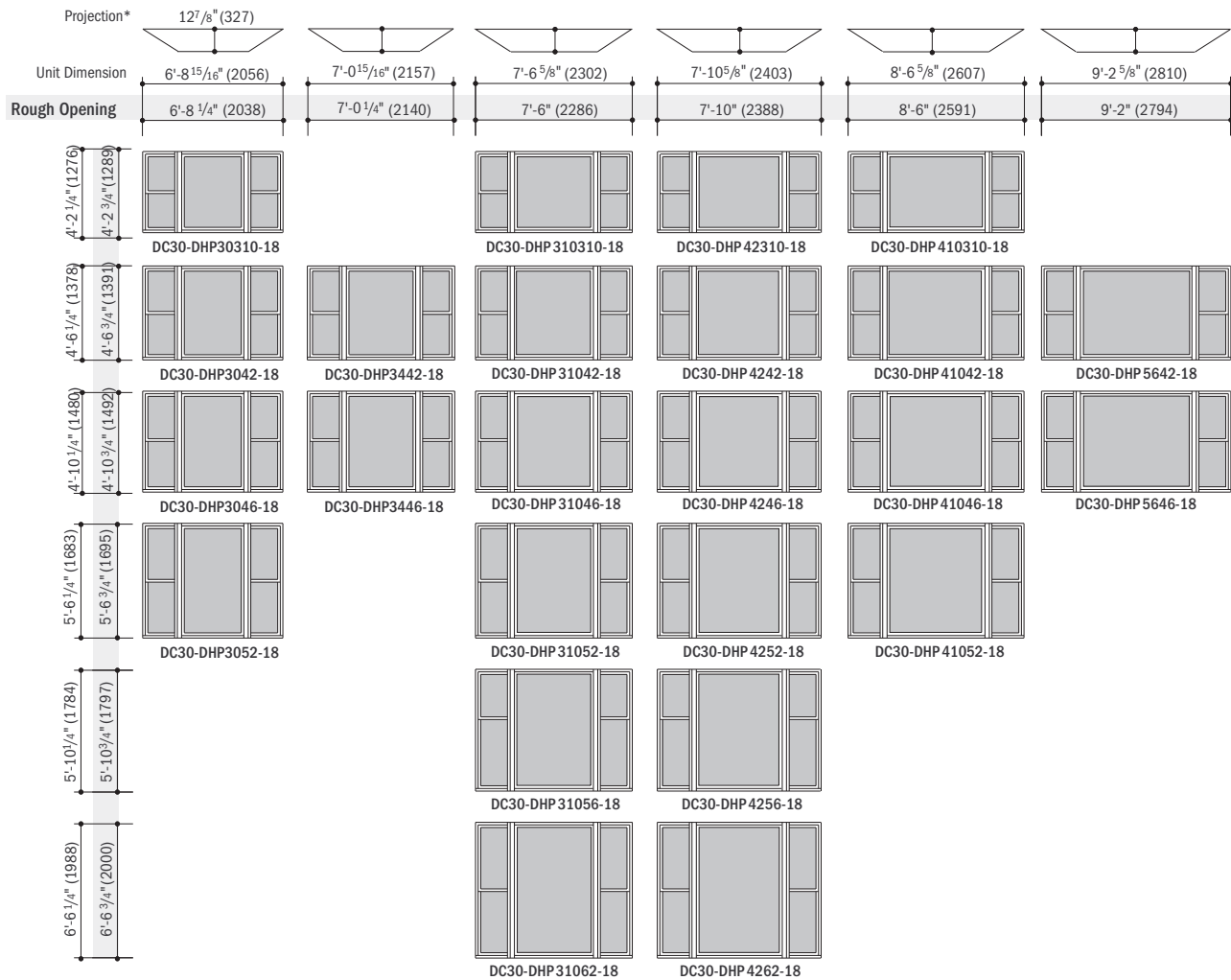
### Unit Sizes

#### Unit Sizes - Angle Bay 30° Windows

**Note:**

The illustration includes standard Angle Bay sizes only. See [Architectural Detail](#) files.

Angle Bay Windows are assembled with multiple Tilt-Wash Windows. Look in the basic Tilt-Wash Window pages of this section for most replacement parts. Angle Bay units use specially designed mullion posts, side flanges, extension jambs, and head/seat boards. Replacements for these and other special Angle Bay parts are listed in the following pages.



**Tilt-Wash (DC) and Tilt-Wash II (TW) 30° Angle Bay Window Standard Unit Sizes**

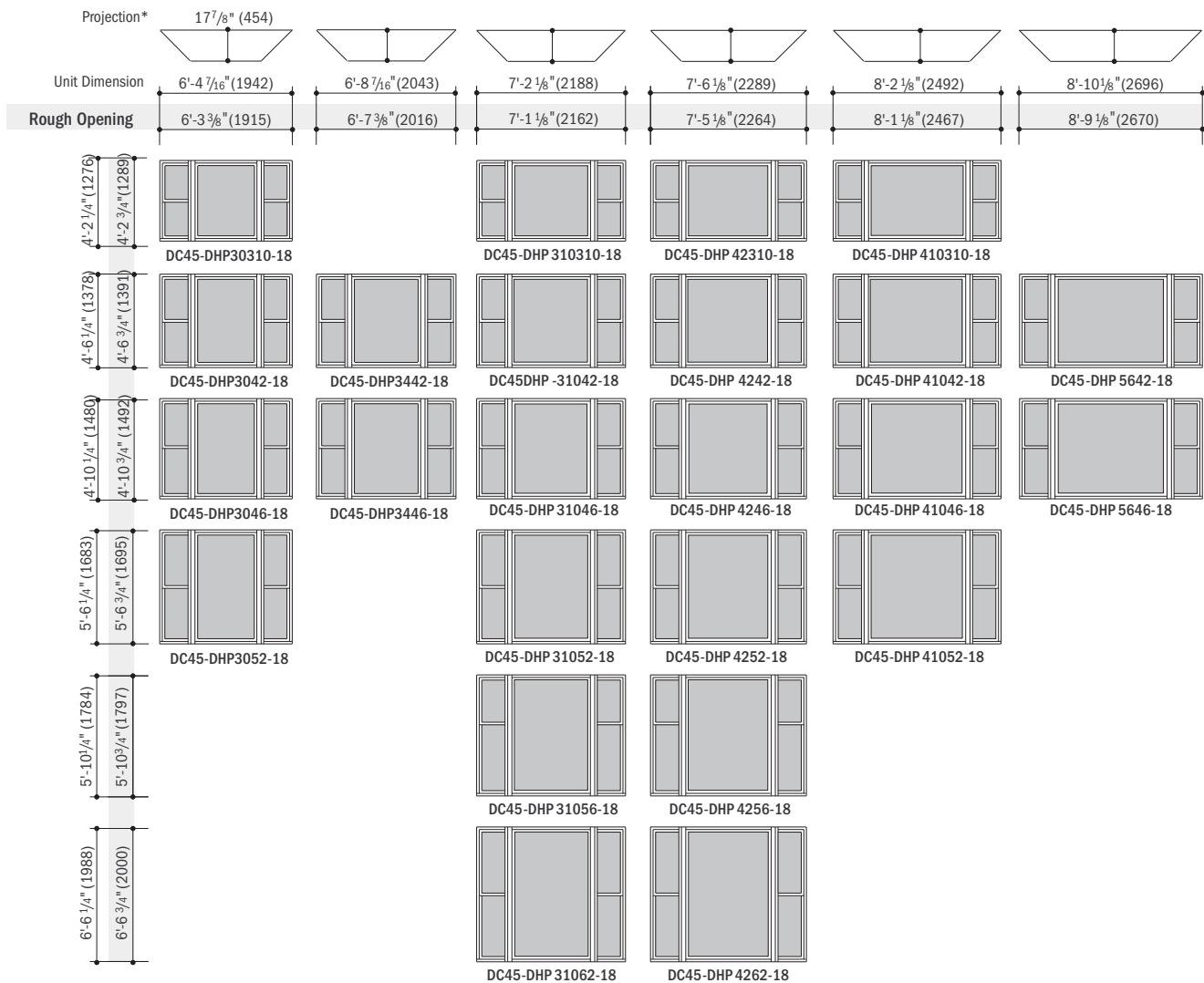
Unit viewed from exterior.

## Unit Sizes

### Unit Sizes - Angle Bay 45° Windows

**Note:**

The illustration includes standard Angle Bay sizes only. See [Architectural Detail](#) files.



**Tilt-Wash (DC) and Tilt-Wash II (TW) 45° Angle Bay Window Standard Unit Sizes**

*Unit viewed from exterior.*

## 400 Series Tilt-Wash (TW) Windows (1992 to Present)

---

*Angle Bay Windows*

**Angle Bay Parts**

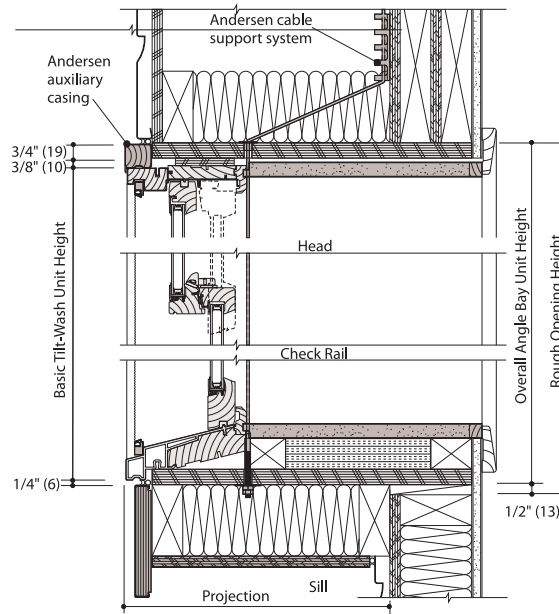
---

**Angle Bay Parts**

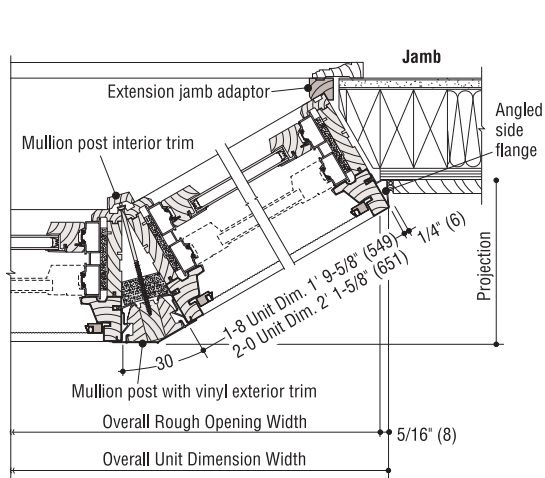
---

## Angle Bay Parts

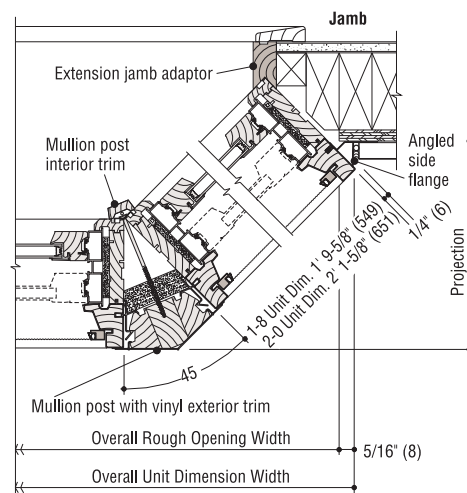
### Angle Bay 30° and 45° Window Profiles



**30° & 45° Vertical Section**



**30° Horizontal Section**



**45° Horizontal Section**

# 400 Series Tilt-Wash (TW) Windows (1992 to Present)

Angle Bay Windows

## Angle Bay Parts

### Platform Sets

#### Platform Set - Angle Bay 30°

	Unit No.	Order No.
	DH30/34/20	1645208
	DH30/34/18	1645216
	DH30/30/18	1645222
	DH30/310/18	1645223
	DH30/42/18	1645224
	DH30/410/18	1645225
	DH30/30/20	1645226
	DC30/310/20	1645227
	DH30/42/20	1645228
	DH30/410/20	1645229
	DH30/56/18	1645230
	DH30/56/20	1645231
	DH30/30-2/18	1645232
	DH30/30-2/20	1645233

#### Platform Set - Angle Bay 45°

	Unit No.	Order No.
	DH45/34/20	1635208
	DH45/34/18	1635216
	DH45/30/18	1635222
	DH45/310/18	1635223
	DH45/42/18	1635224
	DH45/410/18	1635225
	DH45/30/20	1635226
	DH45/310/20	1635227
	DH45/42/20	1635228
	DH45/410/20	1635229
	DH45/56/18	1635230
	DH45/56/20	1635231
	DH45/30-2/18	1635232
	DH45/30-2/20	1635233

## Angle Bay Parts

### Joining Kits

**Note:**

See additional size offerings and configurations in iQ+.

#### Joining Kit - Angle Bay 30° / Mull

**Note:**

Kit includes instruction guide, side flashing, extension jamb adaptors, mull posts and interior casing for mull posts, fasteners.

Unit No.	White	Terratone®	Sandtone	Forest Green	Canvas	Dark Bronze	Black
DH310	1644930	2734920	1142220	0313220	9076770	9077002	9129393
DH42	1644931	2734921	1142221	0313221	9076771	9077003	9129394
DH46	1644932	2734922	1142222	0313222	9076772	9077004	9129395
DH410	1644937	9051567	9051568	9051569	9076835	9077088	9129479
DH52	1644933	2734923	1142223	0313223	9076773	9077005	9129396
DH56	1644934	2734924	1142224	0313224	9076774	9077006	9129397
DH510	1644938	9051570	9051571	9051572	OBD	OBD	OBD
DH62	1644935	2734925	1142225	0313225	9076775	9077007	9129398
DH80	1644936	2734926	1142226	0313226	9076776	9077008	9129399

#### Joining Kit - Angle Bay 30° / Mull / Prefinished Interior - White

**Note:**

Kit includes instruction guide, side flashing, extension jamb adaptors, mull posts and interior casing for mull posts, fasteners.

Unit No.	White Interior/ White Exterior	White Interior/ Terratone® Exterior	White Interior/ Sandtone Exterior	White Interior/ Forest Green Exterior	White Interior/ Canvas Exte- rior	White Interior/ Dark Bronze Exterior	White Interior/ Black Exterior
DH310	9042453	9042471	9042439	9042425	9076821	9077074	9129465
DH42	9042454	9042472	9042440	9042426	9076822	9077075	9129466
DH46	9042455	9042473	9042441	9042427	9076823	9077076	9129467
DH410	9042460	9051573	9051574	9051575	9076836	9077089	9129480
DH52	9042456	9042474	9042442	9042428	9076824	9077077	9129468
DH56	9042457	9042475	9042443	9042429	9076825	9077078	9129469
DH510	9042461	9051576	9051577	9051578	9076837	9077090	9129481
DH62	9042458	9042476	9042444	9042430	9076826	9077079	9129470
DH80	9042459	9042477	9042445	9042431	9076827	9077080	9129471



## 400 Series Tilt-Wash (TW) Windows (1992 to Present)

*Angle Bay Windows*

### Angle Bay Parts

<b>Joining Kit - Angle Bay 45° / Mull</b>							
<b>Note:</b> Kit includes instruction guide, side flashing, extension jamb adaptors, mull posts and interior casing for mull posts, fasteners.							
<b>Unit No.</b>	<b>White</b>	<b>Terratone®</b>	<b>Sandtone</b>	<b>Forest Green</b>	<b>Canvas</b>	<b>Dark Bronze</b>	<b>Black</b>
<b>DH310</b>	1644940	2734930	1142230	0313230	9076777	9077009	9129400
<b>DH42</b>	1644941	2734931	1142231	0313231	9076778	9077010	9129401
<b>DH46</b>	1644942	2734932	1142232	0313232	9076779	9077011	9129402
<b>DH410</b>	1644947	9051579	9051580	9051581	9076838	9077091	9129482
<b>DH52</b>	1644943	2734933	1142233	0313233	9076780	9077012	9129403
<b>DH56</b>	1644944	2734934	1142234	0313234	9076781	9077013	9129404
<b>DH510</b>	1644948	9051582	9051583	9051584	9076839	9077092	9129483
<b>DH62</b>	1644945	2734935	1142235	0313235	9076782	9077014	9129405
<b>DH80</b>	1644946	2734936	1142236	0313236	9076783	9077015	9129406

<b>Joining Kit - Angle Bay 45° / Mull / Prefinished Interior - White</b>							
<b>Note:</b> Kit includes instruction guide, side flashing, extension jamb adaptors, mull posts and interior casing for mull posts, fasteners.							
<b>Unit No.</b>	<b>White Interior/ White Exterior</b>	<b>White Interior/ Terratone® Exterior</b>	<b>White Interior/ Sandtone Exterior</b>	<b>White Interior/ Forest Green Exterior</b>	<b>White Interior/ Canvas Exte- rior</b>	<b>White Interior/ Dark Bronze Exterior</b>	<b>White Interior/ Black Exterior</b>
<b>DH310</b>	9042462	9042478	9042446	9042432	9076828	9077081	9129472
<b>DH42</b>	9042463	9042479	9042447	9042433	9076829	9077082	9129473
<b>DH46</b>	9042464	9042480	9042448	9042434	9076830	9077083	9129474
<b>DH410</b>	9042469	9051585	9051586	9051587	9076840	9077093	9129484
<b>DH52</b>	9042465	9042481	9042449	9042435	9076831	9077084	9129475
<b>DH56</b>	9042466	9042482	9042450	9042436	9076832	9077085	9129476
<b>DH510</b>	9042470	9051588	9051589	9051590	9076841	9077094	9129485
<b>DH62</b>	9042467	9042483	9042451	9042437	9076833	9077086	9129477
<b>DH80</b>	9042468	9042484	9042452	9042438	9076834	9077087	9129478

## Angle Bay Parts

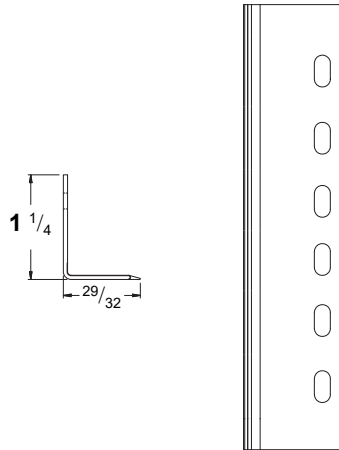
### Trim Strips - Mull Post

**Note:**

These items require service approval to order, located in the Service Replacement section [page 486](#).

### Flashing

#### Flashing - Angle Bay / Side



Unit No.	White	Terratone®	Sandtone	Forest Green	Canvas	Dark Bronze	Black
DH310	1611460	2706690	1133050	0331750	9076620	9076852	9127240
DH42	1611461	2706691	1133051	0331751	9076621	9076853	9127241
DH46	1611462	2706692	1133052	0331752	9076622	9076854	9127242
DH410	1611463	2706693	1133053	0331753	9076623	9076855	9127243
DH52	1611464	2706694	1133054	0331754	9076624	9076856	9127244
DH56	1611465	2706695	1133055	0331755	9076625	9076857	9127245
DH510	1611466	2706696	1133056	0331756	9076626	9076858	9127246
DH62	1611467	2706697	1133057	0331757	9076627	9076859	9127247

## 400 Series Tilt-Wash (TW) Windows (1992 to Present)

*Angle Bay Windows*

### Angle Bay Parts

#### Inside Casing - Mull Post

##### Inside Casing - Angle Bay 30° / Mull Post

	Unit No.	Dimensions	Pine	White
	DH310	47 <sup>15</sup> / <sub>32</sub>	1636006	9042490
	DH42	51 <sup>15</sup> / <sub>32</sub>	1636001	9042485
	DH46	55 <sup>15</sup> / <sub>32</sub>	1636002	9042486
	DH410	59 <sup>15</sup> / <sub>32</sub>	1636009	9042492
	DH52	63 <sup>15</sup> / <sub>32</sub>	1636003	9042487
	DH56	67 <sup>15</sup> / <sub>32</sub>	1636004	9042488
	DH510	71 <sup>15</sup> / <sub>32</sub>	1636010	9042493
	DH62	75 <sup>15</sup> / <sub>32</sub>	1636005	9042489
	DH80	97	1636007	9042491

##### Inside Casing - Angle Bay 45° / Mull Post

	Unit No.	Dimensions	Pine	White
	DH310	47 <sup>15</sup> / <sub>32</sub>	1611285	9042494
	DH42	51 <sup>15</sup> / <sub>32</sub>	1611286	9042495
	DH46	55 <sup>15</sup> / <sub>32</sub>	1611287	9042496
	DH410	59 <sup>15</sup> / <sub>32</sub>	1611288	9042497
	DH52	63 <sup>15</sup> / <sub>32</sub>	1611289	9042498
	DH56	67 <sup>15</sup> / <sub>32</sub>	1611290	9042499
	DH510	71 <sup>15</sup> / <sub>32</sub>	1611291	9042500
	DH62	75 <sup>15</sup> / <sub>32</sub>	1611292	9042546
	DH80	97	1611293	9042501

#### Extension Jamb Adaptors

##### Extension Jamb Adaptor - 30° Angle Bay

	Unit No.	Dimensions	Pine	White
	DH310	47 <sup>15</sup> / <sub>32</sub>	8136501	9041865
	DH42	51 <sup>15</sup> / <sub>32</sub>	8136502	9041866
	DH46	55 <sup>15</sup> / <sub>32</sub>	8136503	9041867
	DH410	59 <sup>15</sup> / <sub>32</sub>	8136512	9041871
	DH52	63 <sup>15</sup> / <sub>32</sub>	8136504	9041868
	DH56	67 <sup>15</sup> / <sub>32</sub>	8136505	9041869
	DH510	71 <sup>15</sup> / <sub>32</sub>	8136513	9041872
	DH62	75 <sup>15</sup> / <sub>32</sub>	8136506	9041870
	DH80	97	8136507	9042543

## Angle Bay Parts

Extension Jamb Adaptor - 45° Angle Bay				
	Unit No.	Dimensions	Pine	White
	DH310	47 <sup>15</sup> / <sub>32</sub>	1686777	9041873
	DH42	51 <sup>15</sup> / <sub>32</sub>	1686778	9041874
	DH46	55 <sup>15</sup> / <sub>32</sub>	1686779	9041875
	DH410	59 <sup>15</sup> / <sub>32</sub>	1686786	9041879
	DH52	63 <sup>15</sup> / <sub>32</sub>	1686780	9041876
	DH56	67 <sup>15</sup> / <sub>32</sub>	1686781	9041877
	DH510	71 <sup>15</sup> / <sub>32</sub>	1686787	9041880
	DH62	75 <sup>15</sup> / <sub>32</sub>	1686782	9041878
	DH80	97	1686783	9042544

## Head and Seat Board Sets

**Note:**

See additional size offerings in iQ+.

Head and Seat Board Set - Angle Bay 30° / 5 1/4" Wall				
Unit No.	Pine	White	Maple	Oak
DH30/310/18	1645128	9041884	9041956	9041920
DH30/310/20	1645132	9041888	9041960	9041924
DH30/34/18	1645124	9041882	9041954	9041918
DH30/34/20	1645121	9041881	9041953	9041917
DH30-30-2-18	1645136	9043289	9043301	9043295
DH30-30-2-20	1645138	9043290	9043302	9043296
DH30-56-18	1645135	9041891	9041963	9041927
DH30-56-20	1645137	9041892	9041964	9041928
DH30/30/18	1645127	9041883	9041955	9041919
DH30/30/20	1645131	9041887	9041959	9041923
DH30/410/18	1645130	9041886	9041958	9041922
DH30/410/20	1645134	9041890	9041962	9041925
DH30/42/18	1645129	9041885	9041957	9041921
DH30/42/20	1645133	9041889	9041961	9041925

## 400 Series Tilt-Wash (TW) Windows (1992 to Present)

*Angle Bay Windows*

### Angle Bay Parts

<b>Head and Seat Board Set - Angle Bay 30° / 6 <sup>19</sup>/<sub>16</sub>" Wall</b>				
<b>Unit No.</b>	<b>Pine</b>	<b>White</b>	<b>Maple</b>	<b>Oak</b>
DH30/310/18	1646028	9041896	9041968	9041932
DH30/310/20	1646032	9041900	9041972	9041936
DH30/34/18	1646024	9041894	9041966	9041930
DH30/34/20	1646021	9041893	9041965	9041929
DH30-30-2-18	1646036	9043291	9043303	9043297
DH30-30-2-20	1646038	9043292	9043304	9043298
DH30-56-18	1646035	9041903	9041975	9041939
DH30-56-20	1646037	9041904	9041976	9041940
DH30/30/18	1646027	9041895	9041967	9041931
DH30/30/20	1646031	9041899	9041971	9041935
DH30/410/18	1646030	9041898	9041970	9041934
DH30/410/20	1646034	9041902	9041974	9041938
DH30/42/18	1646029	9041897	9041969	9041933
DH30/42/20	1646033	9041901	9041973	9041937

<b>Head and Seat Board Set - Angle Bay 30° / 7 <sup>1</sup>/<sub>8</sub>" Wall</b>				
<b>Unit No.</b>	<b>Pine</b>	<b>White</b>	<b>Maple</b>	<b>Oak</b>
DH30/310/18	1646129	9041907	9041979	9041943
DH30/310/20	1646134	9041912	9041984	9041948
DH30/34/18	1646128	9041906	9041978	9041942
DH30/34/20	1646133	9041911	9041983	9041947
DH30-30-2-18	1646140	9043293	9043305	9043299
DH30-30-2-20	1646142	9043294	9043306	9043300
DH30-56-18	1646139	9041915	9041987	9041951
DH30-56-20	1646141	9041916	9041988	9041952
DH30/30/18	1646127	9041905	9041977	9041941
DH30/30/20	1646132	9041910	9041982	9041946
DH30/410/18	1646131	9041909	9041981	9041945
DH30/410/20	1646136	9041914	9041986	9041950
DH30/42/18	1646130	9041908	9041980	9041944
DH30/42/20	1646135	9041913	9041985	9041949

## Angle Bay Parts

Head and Seat Board Set - Angle Bay 45° / 5 1/4" Wall				
Unit No.	Pine	White	Maple	Oak
DH45/310/18	1635129	9041992	9042064	9042028
DH45/310/20	1635133	9041996	9042068	9042032
DH45/34/18	1635124	9041990	9042062	9042026
DH45/34/20	1635121	9041989	9042061	9042025
DH45-30-2-18	1635137	9043271	9043283	9043277
DH45-30-2-20	1635139	9043272	9043284	9043278
DH45-56-18	1635136	9041999	9042071	9042035
DH45-56-20	1635138	9042000	9042072	9042036
DH45/30/18	1635128	9041991	9042063	9042027
DH45/30/20	1635132	9041995	9042067	9042031
DH45/410/18	1635131	9041994	9042066	9042030
DH45/410/20	1635135	9041998	9042070	9042034
DH45/42/18	1635130	9041993	9042065	9042029
DH45/42/20	1635134	9041997	9042069	9042033

Head and Seat Board Set - Angle Bay 45° / 6 9/16" Wall				
Unit No.	Pine	White	Maple	Oak
DH45/310/18	1636248	9042004	9042076	9042040
DH45/310/20	1636252	9042008	9042080	9042044
DH45/34/18	1636243	9042002	9042074	9042038
DH45/34/20	1636240	9042001	9042073	9042037
DH45-30-2-18	1636256	9043273	9043285	9043279
DH45-30-2-20	1636258	9043274	9043286	9043280
DH45-56-18	1636255	9042011	9042083	9042047
DH45-56-20	1636257	9042012	9042084	9042048
DH45/30/18	1636247	9042003	9042075	9042039
DH45/30/20	1636251	9042007	9042079	9042043
DH45/410/18	1636250	9042006	9042078	9042042
DH45/410/20	1636254	9042010	9042082	9042046
DH45/42/18	1636249	9042005	9042077	9042041
DH45/42/20	1636253	9042009	9042081	9042045

## 400 Series Tilt-Wash (TW) Windows (1992 to Present)

*Angle Bay Windows*

### Angle Bay Parts

<b>Head and Seat Board Set - Angle Bay 45° / 7 1/8" Wall</b>				
<b>Unit No.</b>	<b>Pine</b>	<b>White</b>	<b>Maple</b>	<b>Oak</b>
DH45/310/18	1636530	9042015	9042087	9042051
DH45/310/20	1636535	9042020	9042092	9042056
DH45/34/18	1636529	9042014	9042086	9042050
DH45/34/20	1636534	9042019	9042091	9042055
DH45-30-2-18	1636541	9043275	9043287	9043281
DH45-30-2-20	1636543	9043276	9043288	9043282
DH45-56-18	1636540	9042023	9042095	9042059
DH45-56-20	1636542	9042024	9042096	9042060
DH45/30/18	1636528	9042013	9042085	9042049
DH45/30/20	1636533	9042018	9042090	9042054
DH45/410/18	1636532	9042017	9042089	9042053
DH45/410/20	1636537	9042022	9042094	9042058
DH45/42/18	1636531	9042016	9042088	9042052
DH45/42/20	1636536	9042021	9042093	9042057

### Head and Seat Board Singles

**Note:**

See additional size offerings in iQ+.

#### Head and Seat Board Single - Angle Bay 30° / 5 1/4" Wall

<b>Unit No.</b>	<b>Pine</b>	<b>White</b>	<b>Maple</b>	<b>Oak</b>
DH30/310/18	9052596	9052719	9052965	9052842
DH30/310/20	9052601	9052724	9052970	9052847
DH30/34/18	9052595	9052718	9052964	9052841
DH30/34/20	9052600	9052723	9052969	9052846
DH30-30-2-18	9052633	9052756	9053002	9052879
DH30-30-2-20	9052634	9052757	9053003	9052880
DH30-56-18	9052604	9052727	9052973	9052850
DH30-56-20	9052605	9052728	9052974	9052851
DH30/30/18	9052594	9052717	9052963	9052840
DH30/30/20	9052599	9052722	9052968	9052845
DH30/410/18	9052598	9052721	9052967	9052844
DH30/410/20	9052603	9052726	9052972	9052849
DH30/42/18	9052597	9052720	9052966	9052843
DH30/42/20	9052602	9052725	9052971	9052848

## Angle Bay Parts

Head and Seat Board Single - Angle Bay 30° / 6 <sup>9</sup> / <sub>16</sub> " Wall				
Unit No.	Pine	White	Maple	Oak
DH30/310/18	9052637	9052760	9053006	9052883
DH30/310/20	9052642	9052765	9053011	9052888
DH30/34/18	9052636	9052759	9053005	9052882
DH30/34/20	9052641	9052764	9053010	9052887
DH30-30-2-18	9052674	9052797	9053043	9052920
DH30-30-2-20	9052675	9052798	9053044	9052921
DH30-56-18	9052645	9052768	9053014	9052891
DH30-56-20	9052646	9052769	9053015	9052892
DH30/30/18	9052635	9052758	9053004	9052881
DH30/30/20	9052640	9052763	9053009	9052886
DH30/410/18	9052639	9052762	9053008	9052885
DH30/410/20	9052644	9052767	9053013	9052890
DH30/42/18	9052638	9052761	9053007	9052884
DH30/42/20	9052643	9052766	9053012	9052889

Head and Seat Board Single - Angle Bay 30° / 7 <sup>1</sup> / <sub>8</sub> " Wall				
Unit No.	Pine	White	Maple	Oak
DH30/310/18	9052678	9052801	9053047	9052924
DH30/310/20	9052683	9052806	9053052	9052929
DH30/34/18	9052677	9052800	9053046	9052923
DH30/34/20	9052682	9052805	9053051	9052928
DH30-30-2-18	9052715	9052838	9053084	9052961
DH30-30-2-20	9052716	9052839	9053085	9052962
DH30-56-18	9052686	9052809	9053055	9052932
DH30-56-20	9052687	9052810	9053056	9052933
DH30/30/18	9052676	9052799	9053045	9052922
DH30/30/20	9052681	9052804	9053050	9052927
DH30/410/18	9052680	9052803	9053049	9052926
DH30/410/20	9052685	9052808	9053054	9052931
DH30/42/18	9052679	9052802	9053048	9052925
DH30/42/20	9052684	9052807	9053053	9052930



## 400 Series Tilt-Wash (TW) Windows (1992 to Present)

*Angle Bay Windows*

### Angle Bay Parts

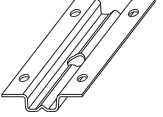
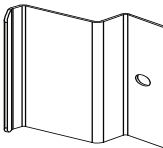
<b>Head and Seat Board Single - Angle Bay 45° / 5 1/4" Wall</b>				
<b>Unit No.</b>	<b>Pine</b>	<b>White</b>	<b>Maple</b>	<b>Oak</b>
DH45/310/18	9052608	9052731	9052977	9052854
DH45/310/20	9052613	9052736	9052982	9052859
DH45/34/18	9052607	9052730	9052976	9052853
DH45/34/20	9052612	9052735	9052981	9052858
DH45-30-2-18	9052631	9052754	9053000	9052877
DH45-30-2-20	9052632	9052755	9053001	9052878
DH45-56-18	9052616	9052739	9052985	9052862
DH45-56-20	9052617	9052740	9052986	9052863
DH45/30/18	9052606	9052729	9052975	9052852
DH45/30/20	9052611	9052734	9052980	9052857
DH45/410/18	9052610	9052733	9052979	9052856
DH45/410/20	9052615	9052738	9052984	9052861
DH45/42/18	9052609	9052732	9052978	9052855
DH45/42/20	9052614	9052737	9052983	9052860

<b>Head and Seat Board Single - Angle Bay 45° / 6 9/16" Wall</b>				
<b>Unit No.</b>	<b>Pine</b>	<b>White</b>	<b>Maple</b>	<b>Oak</b>
DH45/310/18	9052649	9052772	9053018	9052895
DH45/310/20	9052654	9052777	9053023	9052900
DH45/34/18	9052648	9052771	9053017	9052894
DH45/34/20	9052653	9052776	9053022	9052899
DH45-30-2-18	9052672	9052795	9053041	9052918
DH45-30-2-20	9052673	9052796	9053042	9052919
DH45-56-18	9052657	9052780	9053026	9052903
DH45-56-20	9052658	9052781	9053027	9052904
DH45/30/18	9052647	9052770	9053016	9052893
DH45/30/20	9052652	9052775	9053021	9052898
DH45/410/18	9052651	9052774	9053020	9052897
DH45/410/20	9052656	9052779	9053025	9052902
DH45/42/18	9052650	9052773	9053019	9052896
DH45/42/20	9052655	9052778	9053024	9052901

<b>Head and Seat Board Single - Angle Bay 45° / 7 1/8" Wall</b>				
<b>Unit No.</b>	<b>Pine</b>	<b>White</b>	<b>Maple</b>	<b>Oak</b>
DH45/310/18	9052690	9052813	9053059	9052936
DH45/310/20	9052695	9052818	9053064	9052941
DH45/34/18	9052689	9052812	9053058	9052935
DH45/34/20	9052694	9052817	9053063	9052940
DH45-30-2-18	9052713	9052836	9053082	9052959
DH45-30-2-20	9052714	9052837	9053083	9052960
DH45-56-18	9052698	9052821	9053067	9052944
DH45-56-20	9052699	9052822	9053068	9052945
DH45/30/18	9052688	9052811	9053057	9052934
DH45/30/20	9052693	9052816	9053062	9052939
DH45/410/18	9052692	9052815	9053061	9052938
DH45/410/20	9052697	9052820	9053066	9052943
DH45/42/18	9052691	9052814	9053060	9052937
DH45/42/20	9052696	9052819	9053065	9052942

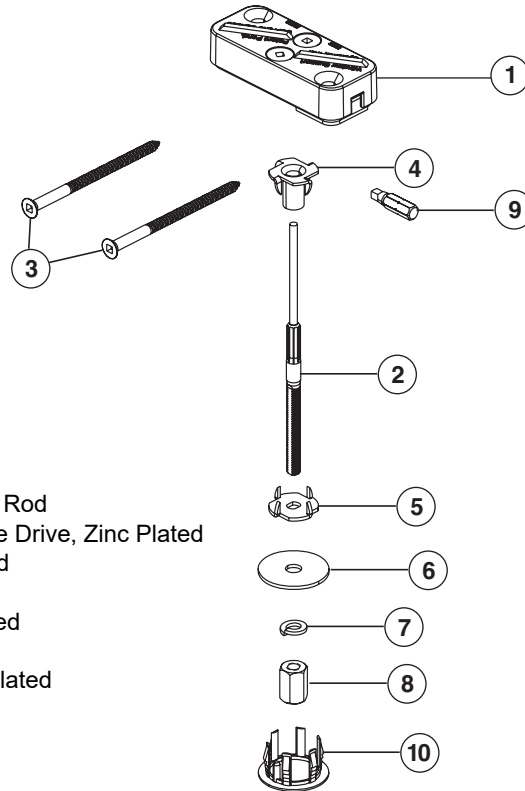
<b>Extension Jamb</b>						
<b>Extension Jamb - Angle Bay / Side (Pair)</b>						
<b>Unit No.</b>	<b>5 1/4" Wall</b>		<b>6 9/16" Wall</b>		<b>7 1/8" Wall</b>	
	<b>Pine</b>	<b>White</b>	<b>Pine</b>	<b>White</b>	<b>Pine</b>	<b>White</b>
DH310	1636106	9042342	1636206	9042348	1636306	9042354
DH42	1636101	9042337	1636201	9042343	1636301	9042349
DH46	1636102	9042338	1636202	9042344	1636302	9042350
DH410	1636144	9042550	1636209	9042553	1636309	9042556
DH52	1636103	9042339	1636203	9042345	1636303	9042351
DH56	1636104	9042340	1636204	9042346	1636304	9042352
DH510	1636145	9042551	1636211	9042554	1636311	9042557
DH62	1636105	9042341	1636205	9042347	1636305	9042353
DH80	1636107	9042549	1636207	9042552	1636307	9042555

## 400 Series Tilt-Wash (TW) Windows (1992 to Present)

Angle Bay Parts			
<b>Clip - Joining / Angle Mull</b>			
			<b>Order No.</b>
			1630043
<b>Clip - Angle Bay Post</b>			
			<b>Order No.</b>
			1626098
<b>Screw - Angle Bay</b>			
	<b>Unit No.</b>	<b>Size</b>	<b>Order No.</b>
	DH	5 1/2"	1643007
<b>Inside Trim - Head and Seat Board</b>			
	<b>Unit No.</b>	<b>Size</b>	<b>Order No.</b>
	DH	8'	1611294

## Angle Bay Parts

### Cable Support System



1. Cable Clamp
2. Cable with Swaged Threaded Rod
3. Screw - #12 x 3-1/4 #3 Square Drive, Zinc Plated
4. T-nut - .390 Barrel, Zinc Plated
5. Keyed T-washer - Zinc Plated
6. Flat Washer - 1-1/4, Zinc Plated
7. Lock Washer - Zinc Plated
8. Hex Nut - 1/4-28, .625, Zinc Plated
9. Square Drive Bit - #3
10. Nylon Hole Plug

### Cable Support System

	Size	Order No.
	9'	1355020
	12'	1355021

## 400 Series Tilt-Wash (TW) Windows (1992 to Present)

---

*Angle Bay Windows*

### Angle Bay Parts

---

## Angle Bay Parts

---

## Notes

---

## 400 Series Tilt-Wash (TW) Windows (1992 to Present)

Stormwatch™ Protection (Coastal Product)

### Sash - DP Upgrade

#### Stormwatch™ Protection (Coastal Product)

Andersen® products with Stormwatch protection are designed for use in coastal areas. They feature design pressure upgrades, glass options, and structural enhancements. Sash do not have grommets.

### Sash - DP Upgrade

#### Sash / Upper (DP Upgrade) (4/2007 - Present)

**Note:**

No sash brackets, uses current (flip-up) wind load bracket design. **Replacement** upper sash does not include hardware. See DH-207 for more details. Specify vintage of product for select sizes below.

Size changes in 2017:

- 4/2017 - present the 46 upper **increased** by 1/2" (Configured)
- 4/2017 - present the 56 Reverse Cottage upper **increased** by 1/2" (Configured)
- 9/2017 - present the 310 upper **increased** by 1/2" (Configured)

#### Sash - Upper / High-Performance Low-E4® / Natural Wood Interior (DP Upgrade) (4/2007 to Present)

**Note:**

Available OBD. Specify White, Terratone®, Sandtone or Forest Green.

#### Sash - Upper / High-Performance Low-E4® / Prefinished Interior (DP Upgrade) (4/2007 - Present)

**Note:**

Available OBD in White.

#### Sash - Upper / High-Performance Low-E4® Sun 3 / Natural Wood Interior (DP Upgrade) (4/2007 - Present)

**Note:**

Available OBD. Specify White, Terratone®, Sandtone or Forest Green.

#### Sash - Upper / High-Performance Low-E4® Sun 3 / Prefinished Interior (DP Upgrade) (4/2007 - Present)

**Note:**

Available OBD in White.

#### Sash - Upper / High-Performance Sun II / Natural Wood Interior (DP Upgrade) (4/2007 - Present)

**Note:**

Available OBD. Specify White, Terratone®, Sandtone or Forest Green.

#### Sash - Upper / High-Performance Sun II / Prefinished Interior (DP Upgrade) (4/2007 - Present)

**Note:**

Available OBD in White.

#### Sash - Upper / HP Low-E4® Tempered / Natural Wood Interior (DP Upgrade) (4/2007 - Present)

**Note:**

Available OBD. Specify White, Terratone®, Sandtone or Forest Green.

## Sash - DP Upgrade

---

**Sash - Upper / HP Low-E4® Tempered / Prefinished Interior (DP Upgrade) (4/2007 - Present)****Note:**

Available OBD in White.

**Sash - Upper / High-Performance Low-E4® Sun 3 Tempered / Natural Wood Interior (DP Upgrade) (4/2007 - Present)****Note:**

Available OBD. Specify White, Terratone®, Sandtone or Forest Green.

**Sash - Upper / High-Performance Low-E4® Sun 3 Tempered / Prefinished Interior (DP Upgrade) (4/2007 - Present)****Note:**

Available OBD in White.

**Sash - Upper / High-Performance Sun II Tempered / Natural Wood Interior (DP Upgrade) (4/2007 - Present)****Note:**

Available OBD. Specify White, Terratone®, Sandtone or Forest Green.

**Sash - Upper / High-Performance Sun II Tempered / Prefinished Interior (DP Upgrade) (4/2007 - Present)****Note:**

Available OBD in White.



## 400 Series Tilt-Wash (TW) Windows (1992 to Present)

Stormwatch™ Protection (Coastal Product)

### Sash - DP Upgrade

#### **Sash / Upper (DP Upgrade) (3/2006 - 3/2007)**

**Note:**

No sash brackets. Two metal sash locks are used on 30 width and wider units. The 28 width and narrower have a single lock. The first wind load bracket design is no longer available. Replace with current bracket. See DH-206 for more details.

#### **Sash - Upper / High-Performance Low-E4® / Natural Wood Interior (DP Upgrade) (3/2006 - 3/2007)**

**Note:**

Available OBD. Specify White, Terratone®, Sandtone or Forest Green.

#### **Sash - Upper / High-Performance Low-E4® / Prefinished Interior (DP Upgrade) (3/2006 - 3/2007)**

**Note:**

Available OBD in White.

#### **Sash - Upper / HP Low-E4® Sun 3 / Natural Wood Interior (DP Upgrade) (3/2006 - 3/2007)**

**Note:**

Available OBD. Specify White, Terratone®, Sandtone or Forest Green.

#### **Sash - Upper / HP Low-E4® Sun 3 / Prefinished Interior (DP Upgrade) (3/2006 - 3/2007)**

**Note:**

Available OBD in White.

#### **Sash - Upper / High-Performance Sun II / Natural Wood Interior (DP Upgrade) (3/2006 - 3/2007)**

**Note:**

Available OBD. Specify White, Terratone®, Sandtone or Forest Green.

#### **Sash - Upper / High-Performance Sun II / Prefinished Interior (DP Upgrade) (3/2006 - 3/2007)**

**Note:**

Available OBD in White.

#### **Sash - Upper / HP Low-E4® Tempered / Natural Wood Interior (DP Upgrade) (3/2006 - 3/2007)**

**Note:**

Available OBD. Specify White, Terratone®, Sandtone or Forest Green.

#### **Sash - Upper / HP Low-E4® Tempered / Prefinished Interior (DP Upgrade) (3/2006 - 3/2007)**

**Note:**

Available OBD in White.

#### **Sash - Upper / High-Performance Low-E4® Sun 3 Tempered / Natural Wood Interior (DP Upgrade) (3/2006 - 3/2007)**

**Note:**

Available OBD. Specify White, Terratone®, Sandtone or Forest Green.

#### **Sash - Upper / High-Performance Low-E4® Sun 3 Tempered / Prefinished Interior (DP Upgrade) (3/2006 - 3/2007)**

**Note:**

Available OBD in White.

## Sash - DP Upgrade

---

**Sash - Upper / High-Performance Sun II Tempered / Natural Wood Interior (DP Upgrade)**  
(3/2006 - 3/2007)

**Note:**  
Available OBD. Specify White, Terratone®, Sandtone or Forest Green.

**Sash - Upper / High-Performance Sun II Tempered / Prefinished Interior (DP Upgrade)**  
(3/2006 - 3/2007)

**Note:**  
Available OBD in White.

# 400 Series Tilt-Wash (TW) Windows (1992 to Present)

Stormwatch™ Protection (Coastal Product)

## Sash - DP Upgrade

### Sash / Upper (DP Upgrade) (2003 - 2/2006)

**Note:**

When attempting to identify in the field the lower sash of unit will have sash brackets applied at check rail. Upper sash does not have sash brackets applied. Two metal sash locks are used on 30 widths and wider. The 28 width and narrower sizes have a single lock.

### Sash - Upper / High-Performance Low-E4® / Natural Wood Interior (2003 - 2/2006)

**Note:**

Available OBD. Specify White, Terratone®, Sandtone or Forest Green.

### Sash - Upper / High-Performance Low-E4® / Prefinished Interior (2003 - 2/2006)

**Note:**

Available OBD in White.

### Sash - Upper / High-Performance Low-E4® Sun 3 / Natural Wood Interior (2003 - 2/2006)

**Note:**

Available OBD. Specify White, Terratone®, Sandtone or Forest Green.

### Sash - Upper / High-Performance Low-E4® Sun 3 / Prefinished Interior (2003 - 2/2006)

**Note:**

Available OBD in White.

### Sash - Upper / High-Performance Sun II / Natural Wood Interior (2003 - 2/2006)

**Note:**

Available OBD. Specify White, Terratone®, Sandtone or Forest Green.

### Sash - Upper / High-Performance Sun II / Prefinished Interior (2003 - 2/2006)

**Note:**

Available OBD in White.

### Sash - Upper / High-Performance Low-E4® Tempered / Natural Wood Interior (2003 - 2/2006)

**Note:**

Available OBD. Specify White, Terratone®, Sandtone or Forest Green.

### Sash - Upper / High-Performance Low-E4® Tempered / Prefinished Interior (2003 - 2/2006)

**Note:**

Available OBD in White.

### Sash - Upper / High-Performance Low-E4® Sun 3 Tempered / Natural Wood Interior (2003 - 2/2006)

**Note:**

Available OBD. Specify White, Terratone®, Sandtone or Forest Green.

### Sash - Upper / High-Performance Low-E4® Sun 3 Tempered / Prefinished Interior (2003 - 2/2006)

**Note:**

Available OBD in White.

## Sash - DP Upgrade

---

<b>Sash - Upper / High-Performance Sun II Tempered / Natural Wood Interior</b> (2003 - 2/2006)
--

**Note:**

Available OBD. Specify White, Terratone®, Sandtone or Forest Green.

<b>Sash - Upper / High-Performance Sun II Tempered / Prefinished Interior</b> (2003 - 2/2006)
---

**Note:**

Available OBD in White.

## 400 Series Tilt-Wash (TW) Windows (1992 to Present)

Stormwatch™ Protection (Coastal Product)

### Sash - DP Upgrade

#### Sash / Lower (DP Upgrade) (4/2007 - Present)

**Note:**

See DH-207 for more details. **Replacement** lower sash does not include hardware. Specify vintage of product for select sizes below

Size changes in 2017:

- 4/2017 to present the 46 lower **decreased** by 1/2" (Configured)
- 4/2017 to present 56 Reverse Cottage lower **decreased** by 1/2" (Configured)
- 9/2017 to present 310 lower **decreased** by 1/2" (Configured)

#### Sash - Lower / High-Performance Low-E4® / Natural Wood Interior (DP Upgrade) (4/2007 - Present)

**Note:**

Available OBD. Specify White, Terratone®, Sandtone or Forest Green.

#### Sash - Lower / High-Performance Low-E4® / Prefinished Interior (DP Upgrade) (4/2007 - Present)

**Note:**

Available OBD in White.

#### Sash - Lower / HP Low-E4® Sun 3 / Natural Wood Interior (DP Upgrade) (4/2007 - Present)

**Note:**

Available OBD. Specify White, Terratone®, Sandtone or Forest Green.

#### Sash - Lower / HP Low-E4® Sun 3 / Prefinished Interior (DP Upgrade) (4/2007 - Present)

**Note:**

Available OBD in White.

#### Sash - Lower / High-Performance Sun II / Natural Wood Interior (DP Upgrade) (4/2007 - Present)

**Note:**

Available OBD. Specify White, Terratone®, Sandtone or Forest Green.

#### Sash - Lower / High-Performance Sun II / Prefinished Interior (DP Upgrade) (4/2007 - Present)

**Note:**

Available OBD in White.

#### Sash - Lower / HP Low-E4® Tempered / Natural Wood Interior (DP Upgrade) (4/2007 - Present)

**Note:**

Available OBD. Specify White, Terratone®, Sandtone or Forest Green.

#### Sash - Lower / HP Low-E4® Tempered / Prefinished Interior (DP Upgrade) (4/2007 - Present)

**Note:**

Available OBD in White.

#### Sash - Lower / HP Low-E4® Sun 3 Tempered / Natural Wood Interior (DP Upgrade) (4/2007 - Present)

**Note:**

Available OBD. Specify White, Terratone®, Sandtone or Forest Green.

## Sash - DP Upgrade

---

**Sash - Lower / HP Low-E4® Sun 3 Tempered / Prefinished Interior (DP Upgrade) (4/2007 - Present)**

**Note:**  
Available OBD in White.

**Sash - Lower / High-Performance Sun II Tempered / Natural Wood Interior (DP Upgrade) (4/2007 - Present)**

**Note:**  
Available OBD. Specify White, Terratone®, Sandtone or Forest Green.

**Sash - Lower / High-Performance Sun II Tempered / Prefinished Interior (DP Upgrade) (4/2007 - Present)**

**Note:**  
Available OBD in White.

## 400 Series Tilt-Wash (TW) Windows (1992 to Present)

Stormwatch™ Protection (Coastal Product)

### **Sash / Lower (DP Upgrade) (3/2006 - 3/2007)**

**Note:**

No sash brackets. Two metal sash locks are used on 30 width and wider units. The 28 width and narrower have a single lock. The first wind load bracket design is no longer available. Replace with current bracket. See DH-206 for more details.

### **Sash - Lower / HP Low-E4® / Natural Wood Interior (DP Upgrade) (3/2006 - 3/2007)**

**Note:**

Available OBD. Specify White, Terratone®, Sandtone or Forest Green.

### **Sash - Lower / HP Low-E4® / Prefinished Interior (DP Upgrade) (3/2006 - 3/2007)**

**Note:**

Available OBD in White.

### **Sash - Lower / HP Low-E4® Sun 3 / Natural Wood Interior (DP Upgrade) (3/2006 - 3/2007)**

**Note:**

Available OBD. Specify White, Terratone®, Sandtone or Forest Green.

### **Sash - Lower / HP Low-E4® Sun 3 / Prefinished Interior (DP Upgrade) (3/2006 - 3/2007)**

**Note:**

Available OBD in White.

### **Sash - Lower / High-Performance Sun II / Natural Wood Interior (DP Upgrade) (3/2006 - 3/2007)**

**Note:**

Available OBD. Specify White, Terratone®, Sandtone or Forest Green.

### **Sash - Lower / High-Performance Sun II / Prefinished Interior (DP Upgrade) (3/2006 - 3/2007)**

**Note:**

Available OBD in White.

### **Sash - Lower / HP Low-E4® Tempered / Natural Wood Interior (DP Upgrade) (3/2006 - 3/2007)**

**Note:**

Available OBD. Specify White, Terratone®, Sandtone or Forest Green.

### **Sash - Lower / HP Low-E4® Tempered / Prefinished Interior (DP Upgrade) (3/2006 - 3/2007)**

**Note:**

Available OBD in White.

### **Sash - Lower / High-Performance Low-E4® Sun 3 Tempered / Natural Wood Interior (DP Upgrade) (3/2006 - 3/2007)**

**Note:**

Available OBD. Specify White, Terratone®, Sandtone or Forest Green.

### **Sash - Lower / High-Performance Low-E4® Sun 3 Tempered / Prefinished Interior (DP Upgrade) (3/2006 - 3/2007)**

**Note:**

Available OBD in White.

### **Sash - Lower / High-Performance Sun II Tempered / Natural Wood Interior (DP Upgrade) (3/2006 - 3/2007)**

## Sash - DP Upgrade

---

**Note:**

Available OBD. Specify White, Terratone®, Sandtone or Forest Green.

**Sash - Lower / High-Performance Sun II Tempered / Prefinished Interior (DP Upgrade)**

*(3/2006 - 3/2007)*

**Note:**

Available OBD in White.



# 400 Series Tilt-Wash (TW) Windows (1992 to Present)

Stormwatch™ Protection (Coastal Product)

## Sash - DP Upgrade

### Sash / Lower (DP Upgrade) (2003 - 2/2006)

**Note:**

When attempting to identify in the field the lower sash of unit will have sash brackets applied at check rail. Upper sash does not have sash brackets applied. Two metal sash locks are used on 30 widths and wider. The 28 width and narrower sizes have a single lock. Replacement lower sash will have pilot holes for sash brackets.

### Sash - Lower / High-Performance Low-E4® / Natural Wood Interior (DP Upgrade) (2003 - 2/2006)

**Note:**

Available OBD. Specify White, Terratone®, Sandtone or Forest Green.

### Sash - Lower / High-Performance Low-E4® / Prefinished Interior (DP Upgrade) (2003 - 2/2006)

**Note:**

Available OBD in White.

### Sash - Lower / HP Low-E4® Sun 3 / Natural Wood Interior (DP Upgrade) (2003 - 2/2006)

**Note:**

Available OBD. Specify White, Terratone®, Sandtone or Forest Green.

### Sash - Lower / HP Low-E4® Sun 3 / Prefinished Interior (DP Upgrade) (2003 - 2/ 2006)

**Note:**

Available OBD in White.

### Sash - Lower / High-Performance Sun II / Natural Wood Interior (DP Upgrade) (2003 - 2/2006)

**Note:**

Available OBD. Specify White, Terratone®, Sandtone or Forest Green.

### Sash - Lower / High-Performance Sun II / Prefinished Interior (DP Upgrade) (2003 - 2/2006)

**Note:**

Available OBD in White.

### Sash - Lower / HP Low-E4® Tempered / Natural Wood Interior (DP Upgrade) (2003 - 2/2006)

**Note:**

Available OBD. Specify White, Terratone®, Sandtone or Forest Green.

### Sash - Lower / HP Low-E4® Tempered / Prefinished Interior (DP Upgrade) (2003 - 2/2006)

**Note:**

Available OBD in White.

### Sash - Lower / HP Low-E4® Sun 3 Tempered / Natural Wood Interior (DP Upgrade) (2003 - 2/2006)

**Note:**

Available OBD. Specify White, Terratone®, Sandtone or Forest Green.

### Sash - Lower / HP Low-E4® Sun 3 Tempered / Prefinished Interior (DP Upgrade) (2003 - 2/2006)

**Note:**

Available OBD in White.

## Sash - DP Upgrade

---

<b>Sash - Lower / High-Performance Sun II Tempered / Natural Wood Interior (DP Upgrade)</b> (2003 - 2/2006)
---

**Note:**

Available OBD. Specify White, Terratone®, Sandtone or Forest Green.

<b>Sash - Lower / High-Performance Sun II Tempered / Prefinished Interior (DP Upgrade)</b> (2003 - 2/2006)
--

**Note:**

Available OBD in White.

## 400 Series Tilt-Wash (TW) Windows (1992 to Present)

Stormwatch™ Protection (Coastal Product)

Sash - Impact Resistant

Sash - Impact Resistant

### Sash / Upper (Impact Resistant) (4/2007 - Present)

**Note:**

See DH-207 for more details. **Replacement** upper sash does not include hardware. Specify vintage of product for select sizes below.

Size changes in 2017:

- 4/2017 to present the 46 upper **increased** by 1/2" (Configured)
- 4/2017 to present the 56 Reverse Cottage upper **increased** by 1/2" (Configured)
- 9/2017 to present the 310 upper **increased** by 1/2" (Configured)

### Sash - Upper / High-Performance Low-E4® / Natural Wood Interior (Impact Resistant) (4/2007 - Present)

**Note:**

Available OBD. Specify White, Terratone®, Sandtone or Forest Green.

### Sash - Upper / High-Performance Low-E4® / Prefinished Interior (Impact Resistant) (4/2007 - Present)

**Note:**

Available OBD in White.

### Sash - Upper / Impact Resistant / High-Performance Low-E4® Sun 3/ Natural Wood Interior (Impact Resistant) (4/2007 - Present)

**Note:**

Available OBD. Specify White, Terratone®, Sandtone or Forest Green.

### Sash - Upper / High-Performance Low-E4® Sun 3 / Prefinished Interior (Impact Resistant) (4/2007 - Present)

**Note:**

Available OBD in White.

### Sash - Upper / High-Performance Sun II / Natural Wood Interior (Impact Resistant) (4/2007 - Present)

**Note:**

Available OBD. Specify White, Terratone®, Sandtone or Forest Green.

### Sash - Upper / High-Performance Sun II / Prefinished Interior (Impact Resistant) (4/2007 - Present)

**Note:**

Available OBD in White.

### Sash - Upper / HP Low-E4® Tempered / Natural Wood Interior (Impact Resistant) (4/2007 - Present)

**Note:**

Available OBD. Specify White, Terratone®, Sandtone or Forest Green.

### Sash - Upper / HP Low-E4® Tempered / Prefinished Interior (Impact Resistant) (4/2007 - Present)

**Note:**

Available OBD in White.

## Sash - Impact Resistant

---

**Sash - Upper / High-Performance Low-E4® Sun 3 Tempered / Natural Wood Interior (Impact Resistant)**  
(4/2007 - Present)

**Note:**  
Available OBD. Specify White, Terratone®, Sandtone or Forest Green.

**Sash - Upper / High-Performance Low-E4® Sun 3 Tempered / Prefinished Interior (Impact Resistant)**  
(4/2007 - Present)

**Note:**  
Available OBD in White.

**Sash - Upper / High-Performance Sun II Tempered / Natural Wood Interior (Impact Resistant)**  
(4/2007 - Present)

**Note:**  
Available OBD. Specify White, Terratone®, Sandtone or Forest Green.

**Sash - Upper / High-Performance Sun II Tempered / Prefinished Interior (Impact Resistant)**  
(4/2007 - Present)

**Note:**  
Available OBD in White.

# 400 Series Tilt-Wash (TW) Windows (1992 to Present)

Stormwatch™ Protection (Coastal Product)

## Sash - Impact Resistant

### Sash / Upper (Impact Resistant) (2004 - 3/2007)

**Note:**

To identify these units in the field, existing lower sash of unit will have sash brackets applied at check rail. Upper sash does not have sash brackets applied. Two metal sash locks are used on 30 widths and wider. The 210 width and narrower sizes have a single lock. **Replacement** upper sash does not include hardware. Because grille grommets had to be eliminated during the sash re-design, the only grille types available for the Andersen 400 Series Tilt-Wash units with performance upgrades are factory applied interior and exterior grilles and grilles between the glass. Removable interior grilles with a metal clip system are available. The double sash lock system does not allow for "Prairie A" grilles and "specified equal light" (that add additional lights) grille patterns on 30, 34 and 38 widths. See iQ+ for additional detail.

### Sash - Upper / High-Performance Low-E4® / Natural Wood Interior (Impact Resistant) (2004 - 3/2007)

**Note:**

Terratone®, Sandtone and Forest Green are available OBD. Part #'s not active may be available as a configured item.

Unit No.		White	Unit No.		White	Unit No.		White
<b>18</b>	TW18210	OBD	<b>26</b>	TW26210	OBD	<b>30</b>	TW30210	OBD
	TW1832	1661364		TW2632	OBD		TW3032	1661392
	TW1836	1661512		TW2636	OBD		TW3036	1661544
	TW18310	OBD		TW26310	1661524		TW30310	1661393
	TW1842	1661366		TW2642	OBD		TW3042	1661394
	TW1846	1661367		TW2646	1661526		TW3046	1661395
	TW18410	OBD		TW26410	1661527		TW30410	1661545
	TW1852	OBD		TW2652	OBD		TW3052	1661396
	TW1856E	OBD		TW2656E	OBD		TW3056E	1661808
	TW1856	OBD		TW2656	OBD		TW3056	OBD
	TW18510	OBD		TW26510	OBD		TW30510	OBD
	TW1862	OBD		TW2662	1661530		TW3062	OBD
<b>20</b>	TW20210	OBD	<b>28</b>	TW28210	OBD	<b>34</b>	TW34210	OBD
	TW2032	1661371		TW2832	OBD		TW3432	OBD
	TW2036	1661515		TW2836	1661531		TW3436	OBD
	TW20310	1661372		TW28310	1661386		TW34310	OBD
	TW2042	1661373		TW2842	1661387		TW3442	OBD
	TW2046	OBD		TW2846	1661388		TW3446	1661403
	TW20410	1661516		TW28410	1661532		TW34410	1661548
	TW2052	1661375		TW2852	1661389		TW3452	1661404
	TW2056E	OBD		TW2856E	OBD		TW3456E	OBD
	TW2056	OBD		TW2856	OBD		TW3456	OBD
	TW20510	OBD		TW28510	OBD		TW34510	OBD
	TW2062	OBD		TW2862	1661390		TW3462	1661405
<b>24</b>	TW24210	OBD	<b>210</b>	TW210210	OBD	<b>38</b>	TW38210	OBD
	TW2432	OBD		TW21032	1661535		TW3832	1661407
	TW2436	OBD		TW21036	OBD		TW3836	OBD
	TW24310	OBD		TW210310	1661537		TW38310	OBD
	TW2442	1661380		TW21042	1661538		TW3842	1661409
	TW2446	1661381		TW21046	OBD		TW3846	OBD
	TW24410	1661519		TW210410	1661540		TW38410	OBD
	TW2452	1661382		TW21052	1661541		TW3852	OBD
	TW2456E	1661806		TW21056E	OBD		TW3856E	OBD
	TW2456	OBD		TW21056	OBD		TW3856	OBD
	TW24510	OBD		TW210510	OBD		TW38510	OBD
	TW2462	OBD		TW21062	1661543		TW3862	1661412

## Sash - Impact Resistant

Sash - Upper / High-Performance Low-E4® / Prefinished Interior (Impact Resistant) (2004 - 3/2007)								
<b>Note:</b> Terratone®, Sandtone and Forest Green are available OBD. Part #'s not active may be available as a configured item.								
Unit No.		White	Unit No.		White	Unit No.		White
<b>18</b>	TW18210	OBD	<b>26</b>	TW26210	1661562	<b>30</b>	TW30210	1661441
	TW1832	1661414		TW2632	OBD		TW3032	1661442
	TW1836	OBD		TW2636	1661564		TW3036	1661585
	TW18310	1661415		TW26310	1661565		TW30310	1661443
	TW1842	1661416		TW2642	1661566		TW3042	1661444
	TW1846	1661417		TW2646	OBD		TW3046	1661445
	TW18410	1661554		TW26410	1661568		TW30410	1661586
	TW1852	1661418		TW2652	1661569		TW3052	1661446
	TW1856E	OBD		TW2656E	OBD		TW3056E	1661815
	TW1856	OBD		TW2656	OBD		TW3056	OBD
	TW18510	1661555		TW26510	1661570		TW30510	1661587
	TW1862	OBD		TW2662	OBD		TW3062	1661447
<b>20</b>	TW20210	1661420	<b>28</b>	TW28210	1661434	<b>34</b>	TW34210	OBD
	TW2032	1661421		TW2832	1661435		TW3432	OBD
	TW2036	1661556		TW2836	OBD		TW3436	1661588
	TW20310	1661422		TW28310	1661436		TW34310	OBD
	TW2042	1661423		TW2842	OBD		TW3442	OBD
	TW2046	1661424		TW2846	1661438		TW3446	1661452
	TW20410	1661557		TW28410	1661573		TW34410	1661589
	TW2052	1661425		TW2852	1661439		TW3452	1661453
	TW2056E	1661812		TW2856E	1661814		TW3456E	OBD
	TW2056	OBD		TW2856	OBD		TW3456	OBD
	TW20510	1661558		TW28510	1661574		TW34510	OBD
	TW2062	1661426		TW2862	1661440		TW3462	1661454
<b>24</b>	TW24210	1661427	<b>210</b>	TW210210	1661575	<b>38</b>	TW38210	OBD
	TW2432	1661428		TW21032	1661576		TW3832	1661456
	TW2436	1661559		TW21036	1661577		TW3836	OBD
	TW24310	1661429		TW210310	1661578		TW38310	1661457
	TW2442	1661430		TW21042	1661579		TW3842	1661458
	TW2446	1661431		TW21046	1661580		TW3846	1661459
	TW24410	1661560		TW210410	1661581		TW38410	1661592
	TW2452	1661432		TW21052	1661582		TW3852	OBD
	TW2456E	1661813		TW21056E	1661828		TW3856E	OBD
	TW2456	OBD		TW21056	OBD		TW3856	OBD
	TW24510	1661561		TW210510	1661583		TW38510	1661593
	TW2462	1661433		TW21062	1661584		TW3862	OBD

## 400 Series Tilt-Wash (TW) Windows (1992 to Present)

*Stormwatch™ Protection (Coastal Product)*

### Sash - Impact Resistant

#### Sash - Upper / HP Low-E4® Sun 3 / Natural Wood Interior (Impact Resistant) (2004 - 3/2007)

**Note:**  
Available OBD. Specify White, Terratone®, Sandtone, or Forest Green.

#### Sash - Upper / High-Performance Low-E4® Sun3 / Prefinished Interior (Impact Resistant) (2004 - 3/2007)

**Note:**  
Terratone®, Sandtone and Forest Green are available OBD. Part #'s not active may be available as a configured item.

Unit No.		White	Unit No.		White	Unit No.		White
<b>18</b>	TW18210	OBD	<b>26</b>	TW26210	OBD	<b>30</b>	TW30210	OBD
	TW1832	OBD		TW2632	OBD		TW3032	OBD
	TW1836	OBD		TW2636	OBD		TW3036	OBD
	TW18310	OBD		TW26310	OBD		TW30310	1665943
	TW1842	OBD		TW2642	OBD		TW3042	OBD
	TW1846	OBD		TW2646	OBD		TW3046	OBD
	TW18410	OBD		TW26410	OBD		TW30410	OBD
	TW1852	OBD		TW2652	OBD		TW3052	1665946
	TW1856E	OBD		TW2656E	1666327		TW3056E	OBD
	TW1856	OBD		TW2656	OBD		TW3056	OBD
	TW18510	OBD		TW26510	OBD		TW30510	1666087
	TW1862	OBD		TW2662	OBD		TW3062	OBD
<b>20</b>	TW20210	OBD	<b>28</b>	TW28210	OBD	<b>34</b>	TW34210	OBD
	TW2032	OBD		TW2832	OBD		TW3432	OBD
	TW2036	OBD		TW2836	OBD		TW3436	OBD
	TW20310	OBD		TW28310	OBD		TW34310	OBD
	TW2042	OBD		TW2842	OBD		TW3442	1665951
	TW2046	OBD		TW2846	OBD		TW3446	OBD
	TW20410	OBD		TW28410	OBD		TW34410	OBD
	TW2052	OBD		TW2852	1665939		TW3452	OBD
	TW2056E	OBD		TW2856E	OBD		TW3456E	OBD
	TW2056	OBD		TW2856	OBD		TW3456	OBD
	TW20510	OBD		TW28510	OBD		TW34510	OBD
	TW2062	OBD		TW2862	OBD		TW3462	OBD
<b>24</b>	TW24210	OBD	<b>210</b>	TW210210	OBD	<b>38</b>	TW38210	OBD
	TW2432	OBD		TW21032	OBD		TW3832	OBD
	TW2436	OBD		TW21036	OBD		TW3836	OBD
	TW24310	OBD		TW210310	OBD		TW38310	OBD
	TW2442	1665930		TW21042	OBD		TW3842	OBD
	TW2446	OBD		TW21046	OBD		TW3846	OBD
	TW24410	OBD		TW210410	OBD		TW38410	OBD
	TW2452	1665932		TW21052	OBD		TW3852	OBD
	TW2456E	OBD		TW21056E	OBD		TW3856E	OBD
	TW2456	OBD		TW21056	OBD		TW3856	OBD
	TW24510	OBD		TW210510	OBD		TW38510	OBD
	TW2462	OBD		TW21062	OBD		TW3862	OBD

## Sash - Impact Resistant

### Sash - Upper / High-Performance Sun II / Natural Wood Interior (Impact Resistant) (2004 - 3/2007)

**Note:**

Available OBD. Specify White, Terratone®, Sandtone or Forest Green.

### Sash - Upper / High-Performance Sun II / Prefinished Interior (Impact Resistant) (2004 - 3/2007)

**Note:**

Available OBD in White.

### Sash - Upper / HP Low-E4® Tempered / Natural Wood Interior (Impact Resistant) (2004 - 3/2007)

**Note:**

Sizes not listed below are available OBD. Terratone® and Sandtone exterior available OBD. Part #'s not active may be available as a configured item.

	Unit No.	White
	TW1846	1661466
	TW20310	1661471
	TW210410	1661650
	TW30210	1661490
	TW30410	1661671

### Sash - Upper / HP Low-E4® Tempered / Prefinished Interior (Impact Resistant) (2004 - 3/2007)

**Note:**

Sizes not listed below are available OBD. Terratone® and Sandtone exterior available OBD. Part #'s not active may be available as a configured item.

	Unit No.	White
	TW20310	1661266
	TW2046	1661268
	TW20510	1661728
	TW26510	1661750
	TW2852	1661283
	TW210310	1661732
	TW3046	1661289
	TW30410	1661756
	TW3052	1661290
	TW30510	1661757
	TW3862	1661306

### Sash - Upper / High-Performance Low-E4® Sun 3 Tempered / Natural Wood Interior (Impact Resistant) (2004 - 3/2007)

**Note:**

Available OBD. Specify White, Terratone®, Sandtone or Forest Green.

### Sash - Upper / High-Performance Low-E4® Sun 3 Tempered / Prefinished Interior (Impact Resistant) (2004 - 3/2007)

**Note:**

Sizes not listed below are available OBD. Terratone® and Sandtone exterior available OBD. Part #'s not active may be available as a configured item.

	Unit No.	White
	TW2052	1665769
	TW3862	1665806



## 400 Series Tilt-Wash (TW) Windows (1992 to Present)

*Stormwatch™ Protection (Coastal Product)*

### Sash - Impact Resistant

**Sash - Upper / High-Performance Sun II Tempered / Natural Wood Interior (Impact Resistant)**  
(2004 - 3/2007)

**Note:**  
Available OBD. Specify White, Terratone®, Sandtone or Forest Green.

**Sash - Upper / High-Performance Sun II Tempered / Prefinished Interior (Impact Resistant)**  
(2004 - 3/2007)

**Note:**  
Available OBD in White.

## Sash - Impact Resistant

### Sash / Lower (Impact Resistant) (4/2007 - Present)

**Note:**

See DH-207 for more details. **Replacement** lower sash does not include hardware. Specify vintage of product for select sizes below

- 4/2017 to present the 46 lower **decreased** by 1/2" (Configured)
- 4/2017 to present the 56 Reverse Cottage lower **decreased** by 1/2" (Configured)
- 9/2017 to present the 310 lower **decreased** by 1/2" (Configured)

### Sash - Upper / High-Performance Low-E4® / Natural Wood Interior (4/2007 - Present)

**Note:**

Available OBD. Specify White, Terratone®, Sandtone or Forest Green.

### Sash - Lower / High-Performance Low-E4® / Prefinished Interior (4/2007 - Present)

**Note:**

Available OBD in White.

### Sash - Lower / High-Performance Low-E4® Sun 3 / Natural Wood Interior (4/2007 - Present)

**Note:**

Available OBD. Specify White, Terratone®, Sandtone or Forest Green.

### Sash - Lower / High-Performance Low-E4® Sun 3 / Prefinished Interior (4/2007 - Present)

**Note:**

Available OBD in White.

### Sash - Lower / High-Performance Sun II / Natural Wood Interior (4/2007 - Present)

**Note:**

Available OBD. Specify White, Terratone®, Sandtone or Forest Green.

### Sash - Lower / High-Performance Sun II / Prefinished Interior (4/2007 - Present)

**Note:**

Available OBD in White.

### Sash - Lower / HP Low-E4® Tempered / Natural Wood Interior (Impact Resistant) (4/2007 - Present)

**Note:**

Available OBD. Specify White, Terratone®, Sandtone or Forest Green.

### Sash - Lower / HP Low-E4® Tempered / Prefinished Interior (Impact Resistant) (4/2007 - Present)

**Note:**

Available OBD in White.

### Sash - Lower / High-Performance Low-E4® Sun 3 Tempered / Natural Wood Interior (Impact Resistant) (4/2007 - Present)

**Note:**

Available OBD. Specify White, Terratone®, Sandtone or Forest Green.

## 400 Series Tilt-Wash (TW) Windows (1992 to Present)

*Stormwatch™ Protection (Coastal Product)*

### Sash - Impact Resistant

**Sash - Lower / High-Performance Low-E4® Sun 3 Tempered / Prefinished Interior (Impact Resistant)**  
(4/2007 - Present)

**Note:**  
Available OBD in White.

**Sash - Lower / High-Performance Sun II Tempered / Natural Wood Interior (Impact Resistant)**  
(4/2007 - Present)

**Note:**  
Available OBD. Specify White, Terratone®, Sandtone or Forest Green.

**Sash - Lower / High-Performance Sun II Tempered / Prefinished Interior (Impact Resistant)**  
(4/2007 - Present)

**Note:**  
Available OBD in White.

## Sash - Impact Resistant

### Sash / Lower (Impact Resistant) (2004 - 3/2007)

**Note:**

To identify these units in the field, existing lower sash of unit will have sash brackets applied at check rail. Upper sash does not have sash brackets applied. Two metal sash locks are used on 30 widths and wider. The 28 width and narrower sizes have a single lock. **Replacement** lower sash will have pilot holes for sash brackets and will not include hardware. Because grille grommets had to be eliminated during the sash re-design, the only grille types available for the Andersen 400 Series Tilt-Wash units with performance upgrades are factory applied interior and exterior grilles and grilles between the glass. Removable interior grilles with a metal clip system are available. The double sash lock system does not allow for "Prairie A" grilles and "specified equal light" (that add additional lights) grille patterns on 30, 34 and 38 widths. See iQ+ for additional detail.

### Sash - Lower / High-Performance Low-E4® / Natural Wood Interior (Impact Resistant) (2004 - 3/2007)

**Note:**

Terratone®, Sandtone and Forest Green are available OBD. Part #'s not active may be available as a configured item.

Unit No.		White	Unit No.		White	Unit No.		White
18	TW18210	1661001	26	TW26210	OBD	30	TW30210	OBD
	TW1832	1661002		TW2632	OBD		TW3032	1661034
	TW1836	OBD		TW2636	OBD		TW3036	1661248
	TW18310	1661003		TW26310	1661226		TW30310	1661035
	TW1842	OBD		TW2642	1661227		TW3042	1661036
	TW1846	OBD		TW2646	OBD		TW3046	1661037
	TW18410	OBD		TW26410	1661229		TW30410	1661249
	TW1852	OBD		TW2652	OBD		TW3052	1661038
	TW1856E	1661764		TW2656E	OBD		TW3056E	1661768
	TW1856	OBD		TW2656	OBD		TW3056	OBD
	TW18510	OBD		TW26510	1661232		TW30510	1661250
	TW1862	1661008		TW2662	1661233		TW3062	1661040
	20	TW20210		1661009	28		TW28210	OBD
TW2032		1661010	TW2832	1661026		TW3432	OBD	
TW2036		OBD	TW2836	OBD		TW3436	OBD	
TW20310		1661011	TW28310	OBD		TW34310	OBD	
TW2042		1661012	TW2842	1661028		TW3442	OBD	
TW2046		OBD	TW2846	1661029		TW3446	1661045	
TW20410		1661218	TW28410	1661235		TW34410	OBD	
TW2052		1661014	TW2852	1661030		TW3452	1661046	
TW2056E		1661765	TW2856E	1661767		TW3456E	1661769	
TW2056		OBD	TW2856	OBD		TW3456	OBD	
TW20510		OBD	TW28510	OBD		TW34510	OBD	
TW2062		OBD	TW2862	1661032		TW3462	1661048	
24		TW24210	1661017	210		TW210210	1661237	38
	TW2432	1661018	TW21032		OBD	TW3832	OBD	
	TW2436	1661220	TW21036		1661239	TW3836	OBD	
	TW24310	1661019	TW210310		1661240	TW38310	OBD	
	TW2442	1661020	TW21042		OBD	TW3842	1661052	
	TW2446	1661021	TW21046		OBD	TW3846	OBD	
	TW24410	1661221	TW210410		1661243	TW38410	OBD	
	TW2452	OBD	TW21052		1661244	TW3852	OBD	
	TW2456E	OBD	TW21056		Configured	TW3856E	1661770	
	TW2456	Configured	TW21056		OBD	TW3856	OBD	
	TW24510	1661222	TW210510		1661246	TW38510	OBD	
	TW2462	1661024	TW21062		1661247	TW3862	1661056	

## 400 Series Tilt-Wash (TW) Windows (1992 to Present)

*Stormwatch™ Protection (Coastal Product)*

<b>Sash - Lower / High-Performance Low-E4® / Prefinished Interior (Impact Resistant) (2004 - 3/2007)</b>								
<b>Note:</b>								
Sizes and colors not listed below are available OBD. Part #'s not active may be available as a configured item.								
	Unit No.	White		Unit No.	White			
<b>18</b>	TW18210	1661057	<b>26</b>	TW26210	OBD	<b>30</b>	TW30210	1661089
	TW1832	1661058		TW2632	OBD		TW3032	1661090
	TW1836	1661114		TW2636	OBD		TW3036	1661148
	TW18310	1661059		TW26310	1661126		TW30310	1661091
	TW1842	1661060		TW2642	1661127		TW3042	1661092
	TW1846	1661061		TW2646	OBD		TW3046	1661093
	TW18410	OBD		TW26410	1661129		TW30410	1661149
	TW1852	1661062		TW2652	1661130		TW3052	1661094
	TW1856E	OBD		TW2656E	OBD		TW3056E	1661775
	TW1856C	OBD		TW2656C	1661113		TW3056C	1661095
	TW18510	1661116		TW26510	1661132		TW30510	1661150
	TW1862	1661064		TW2662	1661133		TW3062	1661096
<b>20</b>	TW20210	1661065	<b>28</b>	TW28210	1661081	<b>34</b>	TW34210	OBD
	TW2032	1661066		TW2832	1661082		TW3432	OBD
	TW2036	1661117		TW2836	1661134		TW3436	OBD
	TW20310	1661067		TW28310	1661083		TW34310	OBD
	TW2042	1661068		TW2842	1661084		TW3442	OBD
	TW2046	1661069		TW2846	1661085		TW3446	1661102
	TW20410	1661118		TW28410	1661135		TW34410	1661152
	TW2052	1661070		TW2852	1661086		TW3452	1661103
	TW2056E	1661772		TW2856E	OBD		TW3456E	1661776
	TW2056C	1661071		TW2856C	1661087		TW3456C	OBD
	TW20510	1661119		TW28510	1661136		TW34510	OBD
	TW2062	1661072		TW2862	1661088		TW3462	1661105
<b>24</b>	TW24210	1661073	<b>210</b>	TW210210	1661137	<b>38</b>	TW38210	OBD
	TW2432	1661074		TW21032	1661138		TW3832	OBD
	TW2436	1661120		TW21036	OBD		TW3836	OBD
	TW24310	1661075		TW210310	1661140		TW38310	1661108
	TW2442	1661076		TW21042	1661141		TW3842	OBD
	TW2446	1661077		TW21046	1661142		TW3846	OBD
	TW24410	1661121		TW210410	1661143		TW38410	OBD
	TW2452	1661078		TW21052	1661144		TW3852	1661111
	TW2456E	1661773		TW21056E	OBD		TW3856E	OBD
	TW2456C	1661079		TW21056C	1661114		TW3856C	OBD
	TW24510	1661122		TW210510	1661146		TW38510	1661156
	TW2462	1661080		TW21062	OBD		TW3862	1661113

## Sash - Impact Resistant

<b>Sash - Lower / HP Low-E4® Sun 3 / Natural Wood Interior (Impact Resistant) (2004 - 3/2007)</b>					
<b>Note:</b> Sizes and colors not listed below are available OBD. Part #'s not active may be available as a configured item.					
	<b>Unit No.</b>	<b>White</b>	<b>Terratone®</b>	<b>Sandtone</b>	<b>Forest Green</b>
<b>20</b>	TW20210	1665509	2738827	1125115	0328158
<b>24</b>	TW24310	1665519	OBD	OBD	OBD
	TW2446	OBD	OBD	OBD	0328170
<b>28</b>	TW2846	1665529	OBD	OBD	OBD
	TW2852	1665530	OBD	OBD	OBD
<b>210</b>	TW210310	1665740	OBD	OBD	OBD
	TW21052	1665744	OBD	OBD	OBD
	TW21056E	1666288	OBD	OBD	OBD
	TW21056	1665745	OBD	OBD	OBD
<b>30</b>	TW30410	1665749	OBD	OBD	OBD
	TW3056C	Configured	OBD	OBD	OBD
<b>38</b>	TW3832	1665550	OBD	OBD	OBD
	TW3846	1665553	OBD	OBD	OBD
	TW38410	1665755	OBD	OBD	OBD

<b>Sash - Lower / HP Low-E4® Sun 3 / Prefinished Interior (Impact Resistant) (2004 - 3/2007)</b>		
<b>Note:</b> Sizes and colors not listed below are available OBD. Part #'s not active may be available as a configured item.		
	<b>Unit No.</b>	<b>White</b>
<b>20</b>	TW20210	1665565
	TW2046	1665569
	TW20410	1665618
<b>24</b>	TW24210	1665573
	TW2446	1665577
	TW2452	1665578
	TW24510	1665622
<b>28</b>	TW28510	1665636
<b>210</b>	TW21042	1665641
	TW210410	1665643
<b>30</b>	TW3046	1665593
	TW30410	1665649
<b>34</b>	TW3432	1665598

<b>Sash - Lower / High-Performance Sun II / Natural Wood Interior (Impact Resistant) (2004 - 3/2007)</b>	
<b>Note:</b> Sizes and colors not listed below are available OBD. Part #'s not active may be available as a configured item.	

# 400 Series Tilt-Wash (TW) Windows (1992 to Present)

Stormwatch™ Protection (Coastal Product)

## Sash - Impact Resistant

### Sash - Lower / High-Performance Sun II / Prefinished Interior (Impact Resistant) (2004 - 3/2007)

**Note:**

Sizes and colors not listed below are available OBD. Part #'s not active may be available as a configured item.

### Sash - Lower / HP Low-E4® Tempered / Natural Wood Interior (Impact Resistant) (2004 - 3/2007)

**Note:**

Sizes and colors not listed below are available OBD. Part #'s not active may be available as a configured item.

	Unit No.		White
	<b>28</b>	TW2856	Configured
<b>210</b>	TW21036	1661603	
	TW210410	1661607	
	TW21056E	1661829	
<b>30</b>	TW3042	1661192	
	TW3052	1661194	
	TW3056E	1661784	
<b>34</b>	TW3452	1661203	

### Sash - Lower / HP Low-E4® Tempered / Prefinished Interior (Impact Resistant) (2004 - 3/2007)

**Note:**

Sizes and colors not listed below are available OBD. Part #'s not active may be available as a configured item.

	Unit No.		White
	<b>20</b>	TW20210	1661315
TW20310		1661317	
TW2046		1661319	
TW20410		1661683	
TW2052		1661320	
TW20510		1661684	
<b>24</b>	TW2432	1661324	
	TW2436	1661696	
	TW2442	1661326	
	TW24410	1661697	
	TW2452	1661328	
<b>26</b>	TW2456	1661329	
	TW26510	1661709	
<b>28</b>	TW2836	1661711	
	TW2852	1661336	
	TW2856	Configured	
	TW2862	1661338	
<b>210</b>	TW21046	1661690	
<b>30</b>	TW3032	1661340	
	TW3036	1661714	
	TW30410	1661715	

## Sash - Impact Resistant

<b>Sash - Lower / HP Low-E4® Tempered / Prefinished Interior (Impact Resistant) (2004 - 3/2007)</b>		
<b>Note:</b> Sizes and colors not listed below are available OBD. Part #'s not active may be available as a configured item.		
	<b>Unit No.</b>	<b>White</b>
<b>30</b>	<b>TW3052</b>	1661344
	<b>TW3056</b>	Configured
	<b>TW30510</b>	1661716
	<b>TW3062</b>	1661346
<b>38</b>	<b>TW3862</b>	1661362

<b>Sash - Lower / High-Performance Low-E4® Sun 3 Tempered / Natural Wood Interior (Impact Resistant) (2004 - 3/2007)</b>	
<b>Note:</b> Sizes and colors not listed below are available OBD. Part #'s not active may be available as a configured item.	

<b>Sash - Lower / High-Performance Low-E4® Sun 3 Tempered / Prefinished Interior (Impact Resistant) (2004 - 3/2007)</b>		
<b>Note:</b> Sizes and colors not listed below are available OBD. Part #'s not active may be available as a configured item. .		
	<b>Unit No.</b>	<b>White</b>
<b>20</b>	<b>TW20510</b>	1666184
<b>24</b>	<b>TW24510</b>	1666198
<b>28</b>	<b>TW2832</b>	1665832
<b>30</b>	<b>TW30510</b>	1666216
	<b>TW3062</b>	1665846
<b>38</b>	<b>TW38510</b>	1666222
	<b>TW3862</b>	1665862

<b>Sash - Lower / High-Performance Sun II Tempered / Natural Wood Interior (Impact Resistant) (2004 - 3/2007)</b>	
<b>Note:</b> Sizes and colors not listed below are available OBD. Part #'s not active may be available as a configured item.	

<b>Sash - Lower / High-Performance Sun II Tempered / Prefinished Interior (Impact Resistant) (2004 - 3/2007)</b>	
<b>Note:</b> Sizes and colors not listed below are available OBD. Part #'s not active may be available as a configured item.	




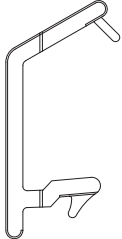
# 400 Series Tilt-Wash (TW) Windows (1992 to Present)

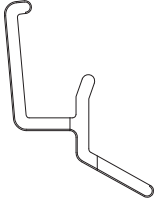
Stormwatch™ Protection (Coastal Product)

## Sash Parts

### Glazing Beads - Laminated Monolithic / Vinyl

Glazing Bead - Laminated Monolithic / 3/8" / Top Rail (4/2007 - Present)									
	Unit No.	Size	White	Terra-tone®	Sand-tone	Forest Green	Canvas	Dark Bronze	Black
	TW18	16 21/32	1690611	2743343	1166172	0376222	9033928	9073886	9127106
	TW20	20 21/32	1690612	2743344	1166173	0376223	9033929	9073887	9127107
	TW24	24 21/32	1690613	2743345	1166174	0376224	9033930	9073888	9127108
	TW26	26 21/32	1690618	2743350	1166188	0376229	9033935	9073893	9127113
	TW28	28 21/32	1690614	2743346	1166175	0376225	9033931	9073889	9127109
	TW210	30 21/32	1690619	2743351	1166189	0376230	9033936	9073894	9127114
	TW30	32 21/32	1690615	2743347	1166176	0376226	9033932	9073890	9127110
	TW34	36 21/32	1690616	2743348	1166177	0376227	9033933	9073891	9127111
	TW38	40 21/32	1690617	2743349	1166178	0376228	9033934	9073892	9127112

Glazing Bead - Laminated Monolithic / 3/8" / Upper Check and Lower Rail (4/2007 - Present)									
	Unit No.	Size	White	Terra-tone®	Sand-tone	Forest Green	Canvas	Dark Bronze	Black
	TW18	16 21/32	1690659	2743334	1166163	0376213	9033919	9073876	9127097
	TW20	20 21/32	1690660	2743335	1166164	0376214	9033920	9073878	9127098
	TW24	24 21/32	1690661	2743336	1166165	0376215	9033921	9073879	9127099
	TW26	26 21/32	1690662	2743337	1166166	0376216	9033922	9073880	9127100
	TW28	28 21/32	1690663	2743338	1166167	0376217	9033923	9073881	9127101
	TW210	30 21/32	1690664	2743339	1166168	0376218	9033924	9073882	9127102
	TW30	32 21/32	1690665	2743340	1166169	0376219	9033925	9073883	9127103
	TW34	36 21/32	1690666	2743341	1166170	0376220	9033926	9073884	9127104
	TW38	40 21/32	1690667	2743342	1166171	0376221	9033927	9073885	9127105

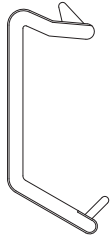
Glazing Bead - Laminated Monolithic / 3/8" / Lower Check Rail (4/2007 - Present)									
	Unit No.	Size	White	Terra-tone®	Sand-tone	Forest Green	Canvas	Dark Bronze	Black
	TW18	18 1/4	1690621	2743354	1166179	0376233	9033939	9073897	9127117
	TW20	22 1/4	1690622	2743355	1166180	0376234	9033940	9073898	9127118
	TW24	26 1/4	1690623	2743356	1166181	0376235	9033941	9073899	9127119
	TW26	28 1/4	1690620	2743352	1166186	0376231	9033937	9073895	9127115
	TW28	30 1/4	1690624	2743357	1166182	0376236	9033942	9073900	9127120
	TW210	32 1/4	1690628	2743353	1166187	0376232	9033938	9073896	9127116
	TW30	34 1/4	1690625	2743358	1166183	0376237	9033943	9073901	9127121
	TW34	38 1/4	1690626	2743359	1166184	0376238	9033944	9073902	9127122
	TW38	42 1/4	1690627	2743360	1166185	0376239	9033945	9073903	9127123

## Sash Parts

### Glazing Bead - Laminated Monolithic / 3/8" / Stile (4/2007 - Present)

**Note:**

Use on all stiles. The 310 and 46 height sizes are unique in length with two separate part numbers for the glazing bead used on upper and lower sash. Other height sizes to be used with upper **and** lower sash. See [Dealer Bulletin 61-16](#) for more details.



Unit No.	Size	White	Terra-tone®	Sand-tone	Forest Green	Canvas	Dark Bronze	Black
<b>TW210</b>	<b>14</b> <sup>5</sup> / <sub>16</sub>	1690648	2743323	1166152	0376202	9033908	9073865	9127086
<b>TW32</b>	<b>16</b> <sup>5</sup> / <sub>16</sub>	1690649	2743324	1166153	0376203	9033909	9073866	9127087
<b>TW36</b>	<b>18</b> <sup>5</sup> / <sub>16</sub>	1690650	2743325	1166154	0376204	9033910	9073867	9127088
<b>TW310 Lower</b> <i>(9/2017 - Present)</i>	<b>19</b> <sup>13</sup> / <sub>16</sub>	9168676	9168677	9168675	9168674	9168678	9168679	9168680
<b>TW310</b> <i>(1992 - 8/2017)</i>	<b>20</b> <sup>5</sup> / <sub>16</sub>	1690651	2743326	1166155	0376205	9033911	9073868	9127089
<b>TW310 Upper</b> <i>(9/2017 - Present)</i>	<b>20</b> <sup>13</sup> / <sub>16</sub>	9168660	9168663	9168658	9168655	9168665	9168668	9168671
<b>TW42</b>	<b>22</b> <sup>5</sup> / <sub>16</sub>	1690652	2743327	1166156	0376206	9033912	9073869	9127090
<b>TW46 Lower</b> <i>(4/2017 - Present)</i>	<b>23</b> <sup>13</sup> / <sub>16</sub>	9161563	9161562	9161561	9161560	9161558	9161559	9161557
<b>TW46</b> <i>(5/2010 - 3/2017)</i>	<b>24</b> <sup>5</sup> / <sub>16</sub>	1690653	2743328	1166157	0376207	9033913	9073870	9127091
<b>TW46 Upper</b> <i>(4/2017 - Present)</i>	<b>24</b> <sup>13</sup> / <sub>16</sub>	9161523	9161522	9161521	9161520	9161518	9161519	9161517
<b>TW410</b>	<b>26</b> <sup>5</sup> / <sub>16</sub>	1690654	2743329	1166158	0376208	9033914	9073871	9127092
<b>TW52</b>	<b>28</b> <sup>5</sup> / <sub>16</sub>	1690655	2743330	1166159	0376209	9033915	9073872	9127093
<b>TW56E</b>	<b>30</b> <sup>5</sup> / <sub>16</sub>	1690656	2743331	1166160	0376210	9033916	9073873	9127094
<b>TW510</b>	<b>32</b> <sup>5</sup> / <sub>16</sub>	1690657	2743332	1166161	0376211	9033917	9073874	9127095
<b>TW62</b>	<b>34</b> <sup>5</sup> / <sub>16</sub>	1690658	2743333	1166162	0376212	9033918	9073875	9127096
<b>TW56C Lower</b> <i>(4/2017 - Present)</i>	<b>35</b> <sup>13</sup> / <sub>16</sub>	9161570	9161569	9161568	9161567	9161565	9161566	9161564
<b>TW56C</b> <i>(5/2010 - 3/2017)</i>	<b>36</b> <sup>5</sup> / <sub>16</sub>	1690647	2743322	1166151	0376201	9033907	9073864	9127085
<b>TW56RC Upper</b> <i>(4/2017 - Present)</i>	<b>36</b> <sup>13</sup> / <sub>16</sub>	9161530	9161529	9161528	9161527	9161525	9161526	9161524

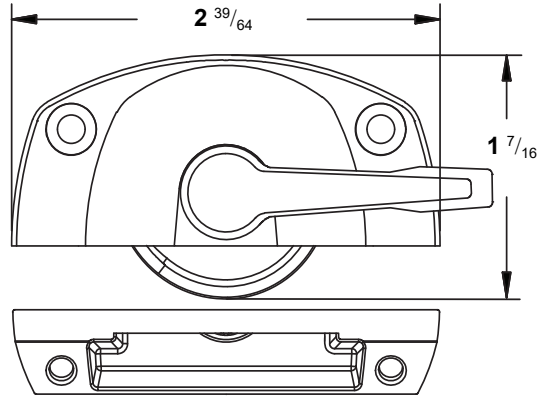
# 400 Series Tilt-Wash (TW) Windows (1992 to Present)

Stormwatch™ Protection (Coastal Product)

## Sash Parts

### Sash Hardware

#### Lock and Keeper Kit (4/2007 - Present)



**Kit includes:**

- (1) Lock
  - (1) Keeper
  - (4) Screws
- Lock and keeper are metal.

**Color**

**Order No.**

Stone	2743367
White	1690603
Gold Dust	9021820
Black	9021819
Bright Brass	N/A
Satin Nickel	9021824
Oil Rubbed Bronze	9021823
Antique Brass	N/A

#### Screw - Sash Lock and Keeper (4/2007 - Present)

**Description**

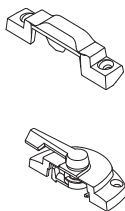
**Color**

**Order No.**

6-10 x 3/4 PLS 2  
PH SP Oval Stl ZD

Stone	3620225
White	3620226
Gold Dust	9004465
Black	9004466
Bright Brass	9004467
Satin Nickel	9004468
Oil-Rubbed Bronze	9004469
Antique Brass	9004470
Brushed Chrome	9004471
Polished Chrome	9004472

#### Lock and Keeper (2004 - 3/2007)



**Note:**

No longer available. Replace with April 2007 to present vintage lock and keeper listed above.

**Order No.**

N/A

## Sash Parts

Pivot Pin (2012 - Present)								
<b>Note:</b> See hardware section for <a href="#">fasteners</a> . Used on upper sash only. Lower sash uses standard <a href="#">pivot pin</a> .								
	White		Canvas		Sandtone		Terratone®	
	Left	Right	Left	Right	Left	Right	Left	Right
	9174238	9174239	9174240	9174241	9174248	9174249	9174246	9174247
	Forest Green		Dark Bronze		Black			
	Left	Right	Left	Right	Left	Right		
9174248	9174249	9174242	9174243	9174250	9174251			

Pivot Pin (4/2007 - 2012)								
<b>Note:</b> See hardware section for <a href="#">fasteners</a> . Used on upper sash only. Lower sash uses standard <a href="#">pivot pin</a> .								
	White		Canvas		Sandtone		Terratone®	
	Left	Right	Left	Right	Left	Right	Left	Right
	1690609	1690610	9072074	9072075	OBD	OBD	OBD	OBD
	Forest Green		Dark Bronze		Black			
	Left	Right	Left	Right	Left	Right		
OBD	OBD	-	-	-	-			

Shim Kit - Lock and Keeper / Metal (4/2007 - Present)		
	<b>Color</b>	<b>Order No.</b>
	Stone	2743029
	White	1690671

Sash Hardware / Opening Control Device Kit		
Opening Control Device Kit / Factory Installed		
<b>Note:</b> See <a href="#">Dealer Bulletin 56-17</a> for more information.		
	<b>Kit includes:</b> (2) opening control devices (2) boots screws bumpers instructions	<b>Finish</b>
		Stone
		White
		Black
		<b>Order No.</b>
		9152278
		9152277
		9152281

Screw - Opening Control Device Kit / Factory Installed		
	<b>Description:</b> 6-18 x 7/8" PHFH TYP A Tapping	<b>Color</b>
		Stone
		White
		Black
		<b>Order No.</b>
		9152280
		9152279
		By description

# 400 Series Tilt-Wash (TW) Windows (1992 to Present)

Stormwatch™ Protection (Coastal Product)

## Sash Balancers

## Sash Balancers

### Balancer Usage Chart

**Note:**

The table below lists the balancers you need for the upper sash and the lower sash. If one number is listed you need one for each sash. If two numbers are listed, you need both sizes for the upper and for the lower sash. When two balancer numbers are listed, the two balancers are hooked to the same balancer shoe. An asterisk (\*) next to the balancer number indicates that it is supplied with a tab only, no shoe attached.

- 46/56C sash height changed 4/2017
- 310 sash height changed 9/2017

### BALANCER USAGE CHART

High-Performance Impact Resistant  
High-Performance Sun Impact Resistant

Unit No.	Upper and Lower Sash		Unit No.	Upper and Lower Sash	
	Balancer	Order No.		Balancer	Order No.
<b>18</b>	<b>TW18210</b>	TW514	<b>20</b>	<b>TW20210</b>	TW614
	<b>TW1832</b>	TW616		<b>TW2032</b>	TW716
	<b>TW1836</b>	TW618		<b>TW2036</b>	TW718
	<b>TW18310</b> <i>(9/2017 - Present)</i>	TW720.35		<b>TW20310</b> <i>(9/2017 - Present)</i>	TW820.35
	<b>TW18310</b> <i>(2004 - 8/2017)</i>	TW720		<b>TW20310</b> <i>(2004 - 8/2017)</i>	TW820
	<b>TW1842</b>	TW722		<b>TW2042</b>	TW922
	<b>TW1846</b> <i>(4/2017 - Present)</i>	TW824.35		<b>TW2046</b> <i>(4/2017 - Present)</i>	TW924.35
	<b>TW1846</b> <i>(2004 - 3/2017)</i>	TW824		<b>TW2046</b> <i>(2004 - 3/2017)</i>	TW924
	<b>TW18410</b>	TW826		<b>TW20410</b>	TW1026
	<b>TW1852</b>	TW928		<b>TW2052</b>	TW1128
	<b>TW1856C</b> <i>(4/2017 - Present)</i>	Upper: TW824.35 Lower: TW1030		<b>TW2056C</b> <i>(4/2017 - Present)</i>	Upper: TW924.35 Lower: TW1230
	<b>TW1856C</b> <i>(2004 - 3/2017)</i>	Upper: TW824 Lower: TW1030		<b>TW2056C</b> <i>(2004 - 3/2017)</i>	Upper: TW924 Lower: *TW630 Lower: TW730
	<b>TW1856E</b>	TW930		<b>TW2056E</b>	TW1130
	<b>TW18510</b>	TW1032		<b>TW20510</b>	TW1232
<b>TW1862</b>	TW1034	<b>TW2062</b>	TW1334		

[See Charts](#)

[See Charts](#)

## Sash Balancers

<b>BALANCER USAGE CHART</b>							
<b>High-Performance Impact Resistant</b>							
<b>High-Performance Sun Impact Resistant</b>							
Unit No.		Upper and Lower Sash		Unit No.		Upper and Lower Sash	
		Balancer	Order No.			Balancer	Order No.
<b>24</b>	<b>TW24210</b>	TW714	<a href="#">See Charts</a>	<b>26</b>	<b>TW26210</b>	*TW314 TW514	<a href="#">See Charts</a>
	<b>TW2432</b>	TW816			<b>TW2632</b>	TW816	
	<b>TW2436</b>	TW818			<b>TW2636</b>	TW918	
	<b>TW24310</b> <i>(9/2017 - Present)</i>	TW920.35			<b>TW26310</b> <i>(9/2017 - Present)</i>	TW1020.35	
	<b>TW24310</b> <i>(2004 - 8/2017)</i>	TW920			<b>TW26310</b> <i>(2004 - 8/2017)</i>	TW1020	
	<b>TW2442</b>	TW1022			<b>TW2642</b>	TW1122	
	<b>TW2446</b> <i>(4/2017- Present)</i>	TW1124.35			<b>TW2646</b> <i>(4/2017- Present)</i>	*TW524.35 TW724.35	
	<b>TW2446</b> <i>(2004 - 3/2017)</i>	TW1024			<b>TW2646</b> <i>(2004 - 3/2017)</i>	*TW524 TW724	
	<b>TW24410</b>	TW1226			<b>TW26410</b>	TW1226	
	<b>TW2452</b>	TW1228			<b>TW2652</b>	*TW628 TW728	
	<b>TW2456C</b> <i>(4/2017 - Present)</i>	Upper: TW1124.35 Lower: *TW630 Lower: TW830			<b>TW2656C</b> <i>(4/2017 - Present)</i>	Upper: *TW524.35 Upper: TW724.35 Lower: *TW830 Lower: TW830	
	<b>TW2456C</b> <i>(2004 - 3/2017)</i>	Upper: TW1124 Lower: TW730 Lower: *TW830			<b>TW2656C</b> <i>(2004 - 3/2017)</i>	Upper: TW1124 Lower: *TW830 Lower: TW830	
	<b>TW2456E</b>	*TW630 TW730			<b>TW2656E</b>	*TW630 TW830	
	<b>TW24510</b>	*TW632 TW832			<b>TW26510</b>	*TW632 TW932	
<b>TW2462</b>	*TW734 TW834	<b>TW2662</b>	*TW734 TW934				

# 400 Series Tilt-Wash (TW) Windows (1992 to Present)

*Stormwatch™ Protection (Coastal Product)*

## Sash Balancers

BALANCER USAGE CHART							
High-Performance Impact Resistant							
High-Performance Sun Impact Resistant							
Unit No.		Upper and Lower Sash		Unit No.			
		Balancer	Order No.			Balancer	Order No.
<b>28</b>	<b>TW28210</b>	*TW314 TW514	<a href="#">See Charts</a>	<b>210</b>	<b>TW210210</b>	*TW314 TW614	<a href="#">See Charts</a>
	<b>TW2832</b>	*TW416 TW516			<b>TW21032</b>	*TW416 TW616	
	<b>TW2836</b>	*TW418 TW618			<b>TW21036</b>	*TW418 TW618	
	<b>TW28310</b> <i>(4/2017 - Present)</i>	Upper:*TW420.35 Upper:TW720.35 Lower:*TW420.35 Lower:TW720.35			<b>TW210310</b> <i>(4/2017 - Present)</i>	*TW420.35 TW720.35	
	<b>TW28310</b> <i>(2004 - 8/2017)</i>	*TW420 TW720			<b>TW210310</b> <i>(2004 - 8/2017)</i>	*TW420 TW720	
	<b>TW2842</b>	*TW522 TW722			<b>TW21042</b>	*TW522 TW722	
	<b>TW2846</b> <i>(4/2017 - Present)</i>	*TW524.35 TW724.35			<b>TW21046</b> <i>(4/2017 - Present)</i>	*TW524.35 TW824.35	
	<b>TW2846</b> <i>(2004 - 3/2017)</i>	*TW524 TW724			<b>TW21046</b> <i>(2004 - 3/2017)</i>	*TW524 TW824	
	<b>TW28410</b>	*TW526 TW826			<b>TW210410</b>	*TW526 TW926	
	<b>TW2852</b>	*TW628 TW828			<b>TW21052</b>	*TW628 TW928	
	<b>TW2856C</b> <i>(4/2017 - Present)</i>	Upper: *TW524.35 Upper: TW724.35 Lower: *TW830 Lower: TW930			<b>TW21056C</b> <i>(4/2017 - Present)</i>	Upper: *TW524.35 Upper: TW824.35 Lower: *TW830 Lower: TW1030	
	<b>TW2856C</b> <i>(2004 - 3/2017)</i>	Upper: *TW524 Upper: TW724 Lower: *TW830 Lower: TW930			<b>TW21056C</b> <i>(2004 - 3/2017)</i>	Upper: *TW524 Upper: TW824 Lower: *TW830 Lower: TW1130	
	<b>TW2856E</b>	*TW830 TW730			<b>TW21056E</b>	*TW830 TW830	
	<b>TW28510</b>	*TW632 TW1032			<b>TW210510</b>	*TW632 TW1132	
<b>TW2862</b>	*TW734 TW1034	<b>TW21062</b>	*TW734 TW1134				

## Sash Balancers

<b>BALANCER USAGE CHART</b>							
<b>High-Performance Impact Resistant</b>							
<b>High-Performance Sun Impact Resistant</b>							
Unit No.		Upper and Lower Sash		Unit No.		Upper and Lower Sash	
		Balancer	Order No.			Balancer	Order No.
<b>30</b>	<b>TW30210</b>	*TW314 TW614	<a href="#">See Charts</a>	<b>34</b>	<b>TW34210</b>	*TW314 TW714	<a href="#">See Charts</a>
	<b>TW3032</b>	*TW416 TW616			<b>TW3432</b>	*TW416 TW716	
	<b>TW3036</b>	*TW418 TW718			<b>TW3436</b>	*TW418 TW818	
	<b>TW30310</b> <i>(9/2017 - Present)</i>	*TW420.35 TW820.35			<b>TW34310</b> <i>(9/2017 - Present)</i>	*TW420.35 TW820.35	
	<b>TW30310</b> <i>(2004 - 8/2017)</i>	*TW420 TW820			<b>TW34310</b> <i>(2004 - 8/2017)</i>	*TW420 TW920	
	<b>TW3042</b>	*TW522 TW822			<b>TW3442</b>	*TW522 TW922	
	<b>TW3046</b> <i>(4/2017 - Present)</i>	*TW524.35 TW924.35			<b>TW3446</b> <i>(4/2017 - Present)</i>	*TW524.35 TW1024.35	
	<b>TW3046</b> <i>(2004 - 3/2017)</i>	*TW524 TW924			<b>TW3446</b> <i>(2004 - 3/2017)</i>	*TW524 TW1124	
	<b>TW30410</b>	*TW526 TW1026			<b>TW34410</b>	*TW526 TW1226	
	<b>TW3052</b>	*TW628 TW1028			<b>TW3452</b>	*TW628 TW1228	
	<b>TW3056C</b> <i>(4/2017 - Present)</i>	Upper: *TW524.35 Upper: TW924.35 Lower: *TW830 Lower: TW1130			<b>TW3456C</b> <i>(4/2017 - Present)</i>	Upper: *TW524.35 Upper: TW1024.35 Lower: TW930 Lower: *TW1230	
	<b>TW3056C</b> <i>(2004 - 3/2017)</i>	Upper: *TW524 Upper: TW924 Lower: *TW830 Lower: TW1130			<b>TW3456C</b> <i>(2004 - 3/2017)</i>	Upper: *TW524 Upper: TW1024 Lower: TW930 Lower: *TW1230	
	<b>TW3056E</b>	*TW830 TW930			<b>TW3456E</b>	*TW830 TW1130	
	<b>TW30510</b>	*TW632 TW1232			<b>TW34510</b>	TW732 *TW1332	
<b>TW3062</b>	*TW734 TW1234	<b>TW3462</b>	*TW734 TW1434				



# 400 Series Tilt-Wash (TW) Windows (1992 to Present)

*Stormwatch™ Protection (Coastal Product)*

## Sash Balancers

<b>BALANCER USAGE CHART</b> High-Performance Impact Resistant High-Performance Sun Impact Resistant					
Unit No.		Upper and Lower Sash		Unit No.	
		Balancer	Order No.		
<b>38</b>	<b>TW38210</b>	TW514 *TW614			
	<b>TW3832</b>	*TW416 TW816			
	<b>TW3836</b>	*TW718 TW718			
	<b>TW38310</b> <i>(4/2017 - Present)</i>	TW720.35 *TW820.35			
	<b>TW38310</b> <i>(2004 - 8/2017)</i>	TW720 *TW820			
	<b>TW3842</b>	*TW522 TW1122			
	<b>TW3846</b> <i>(4/2017 - Present)</i>	TW824.35 *TW924.35			
	<b>TW3846</b> <i>(2004 - 3/2017)</i>	TW824 *TW924			
	<b>TW38410</b>	TW826 *TW1026	<a href="#">See Charts</a>		
	<b>TW3852</b>	TW928 *TW1128			
	<b>TW3856C</b> <i>(4/2017 - Present)</i>	Upper: TW824.35 Upper: *TW924.35 Lower: TW1130.35 Lower: *TW1230.35			
	<b>TW3856C</b> <i>(2004 - 3/2017)</i>	Upper: TW824 Upper: *TW924 Lower: *TW1230 Lower: TW1230			
	<b>TW3856E</b>	TW930 *TW1230			
	<b>TW38510</b>	TW932 *TW1332			
<b>TW3862</b>	TW934 *TW1434				

## Sash Balancers

<b>BALANCER USAGE CHART</b>						
High-Performance Tempered Impact Resistant High-Performance Sun Tempered Impact Resistant Clear Laminated Monolithic Impact Resistant Gray Laminated Monolithic Impact Resistant High-Performance Passive Sun Tempered Impact Resistant						
Unit No.	Upper and Lower Sash		Unit No.	Upper and Lower Sash		
	Balancer	Order No.		Balancer	Order No.	
<b>18</b>	TW18210	TW614	<a href="#">See Charts</a>	TW20210	TW714	<a href="#">See Charts</a>
	TW1832	TW616		TW2032	TW716	
	TW1836	TW718		TW2036	TW818	
	TW18310 <i>(9/2017 - Present)</i>	TW720.35		TW20310 <i>(9/2017 - Present)</i>	TW920.35	
	TW18310 <i>(2004 - 8/2017)</i>	TW720		TW20310 <i>(2004 - 8/2017)</i>	TW920	
	TW1842	TW822		TW2042	TW1022	
	TW1846 <i>(4/2017 - Present)</i>	TW924.35		TW2046 <i>(4/2017 - Present)</i>	TW1024.35	
	TW1846 <i>(2004 - 3/2017)</i>	TW824		TW2046 <i>(2004 - 3/2017)</i>	TW1024	
	TW18410	TW926		TW20410	TW1126	
	TW1852	TW1028		TW2052	TW1228	
	TW1856C <i>(4/2017 - Present)</i>	Upper: TW924.35 Lower: TW1130		TW2056C <i>(4/2017 - Present)</i>	Upper: TW1024.35 Lower: *TW630 Lower: TW830	
	TW1856C <i>(2004 - 3/2017)</i>	Upper: TW824 Lower: TW1130		TW2056C <i>(2004 - 3/2017)</i>	Upper: TW1024 Lower: *TW630 Lower: TW830	
	TW1856E	TW1030		TW2056E	TW1230	
	TW18510	TW1032		TW20510	TW1332	
TW1862	TW1134	TW2062	TW1434			

# 400 Series Tilt-Wash (TW) Windows (1992 to Present)

*Stormwatch™ Protection (Coastal Product)*

## Sash Balancers

<b>BALANCER USAGE CHART</b> High-Performance Tempered Impact Resistant High-Performance Sun Tempered Impact Resistant Clear Laminated Monolithic Impact Resistant Gray Laminated Monolithic Impact Resistant High-Performance Passive Sun Tempered Impact Resistant							
Unit No.		Upper and Lower Sash		Unit No.		Upper and Lower Sash	
		Balancer	Order No.			Balancer	Order No.
<b>24</b>	<b>TW24210</b>	*TW314 TW514	<a href="#">See Charts</a>	<b>26</b>	<b>TW26210</b>	*TW314 TW514	<a href="#">See Charts</a>
	<b>TW2432</b>	*TW416 TW516			<b>TW2632</b>	*TW416 TW516	
	<b>TW2436</b>	TW918			<b>TW2636</b>	*TW418 TW618	
	<b>TW24310</b> <i>(9/2017 - Present)</i>	TW1020.35			<b>TW26310</b> <i>(9/2017 - Present)</i>	*TW420.35 TW720.35	
	<b>TW24310</b> <i>(2004 - 8/2017)</i>	TW1020			<b>TW26310</b> <i>(2004 - 8/2017)</i>	*TW420 TW720	
	<b>TW2442</b>	TW1122			<b>TW2642</b>	*TW522 TW722	
	<b>TW2446</b> <i>(4/2017- Present)</i>	*TW524.35 TW724.35			<b>TW2646</b> <i>(4/2017- Present)</i>	*TW524.35 TW824.35	
	<b>TW2446</b> <i>(2004 - 3/2017)</i>	*TW524 TW724			<b>TW2646</b> <i>(2004 - 3/2017)</i>	*TW524 TW824	
	<b>TW24410</b>	*TW526 TW826			<b>TW26410</b>	*TW526 TW926	
	<b>TW2452</b>	*TW628 TW828			<b>TW2652</b>	*TW628 TW928	
	<b>TW2456C</b> <i>(4/2017 - Present)</i>	Upper: *TW524.35 Upper: TW724.35 Lower: *TW830 Lower: TW830			<b>TW2656C</b> <i>(4/2017 - Present)</i>	Upper: *TW524.35 Upper: TW824.35 Lower: *TW830 Lower: TW930	
	<b>TW2456C</b> <i>(2004 - 3/2017)</i>	Upper: *TW524 Upper: TW724 Lower: *TW830 Lower: TW930			<b>TW2656C</b> <i>(2004 - 3/2017)</i>	Upper: *TW524 Upper: TW824 Lower: *TW830 Lower: TW1030	
	<b>TW2456E</b>	TW730 *TW830			<b>TW2656E</b>	*TW830 TW830	
	<b>TW24510</b>	*TW632 TW932			<b>TW26510</b>	*TW632 TW1032	
<b>TW2462</b>	*TW734 TW934	<b>TW2662</b>	*TW734 TW1034				

## Sash Balancers

<b>BALANCER USAGE CHART</b>							
High-Performance Tempered Impact Resistant High-Performance Sun Tempered Impact Resistant Clear Laminated Monolithic Impact Resistant Gray Laminated Monolithic Impact Resistant High-Performance Passive Sun Tempered Impact Resistant							
Unit No.		Upper and Lower Sash		Unit No.		Upper and Lower Sash	
		Balancer	Order No.			Balancer	Order No.
<b>28</b>	<b>TW28210</b>	*TW314 TW614	<a href="#">See Charts</a>	<b>210</b>	<b>TW210210</b>	*TW314 TW614	<a href="#">See Charts</a>
	<b>TW2832</b>	*TW416 TW616			<b>TW21032</b>	*TW416 TW616	
	<b>TW2836</b>	*TW418 TW718			<b>TW21036</b>	*TW418 TW718	
	<b>TW28310</b> <i>(4/2017 - Present)</i>	*TW420.35 TW820.35			<b>TW210310</b> <i>(4/2017 - Present)</i>	*TW420.35 TW920.35	
	<b>TW28310</b> <i>(2004 - 8/2017)</i>	*TW420 TW820			<b>TW210310</b> <i>(2004 - 8/2017)</i>	*TW420 TW920	
	<b>TW2842</b>	*TW522 TW822			<b>TW21042</b>	*TW522 TW922	
	<b>TW2846</b> <i>(4/2017 - Present)</i>	*TW524.35 TW924.35			<b>TW21046</b> <i>(4/2017 - Present)</i>	*TW524.35 TW1024.35	
	<b>TW2846</b> <i>(2004 - 3/2017)</i>	*TW524 TW924			<b>TW21046</b> <i>(2004 - 3/2017)</i>	*TW524 TW1024	
	<b>TW28410</b>	*TW526 TW1026			<b>TW210410</b>	*TW526 TW1126	
	<b>TW2852</b>	*TW628 TW1028			<b>TW21052</b>	*TW628 TW1128	
	<b>TW2856C</b> <i>(4/2017 - Present)</i>	Upper: *TW524.35 Upper: TW924.35 Lower: *TW830 Lower: TW1130			<b>TW21056C</b> <i>(4/2017 - Present)</i>	Upper: *TW524.35 Upper: TW1024.35 Lower: *TW830 Lower: TW1230	
	<b>TW2856C</b> <i>(2004 - 3/2017)</i>	Upper: *TW524 Upper: TW924 Lower: *TW830 Lower: TW1130			<b>TW21056C</b> <i>(2004 - 3/2017)</i>	Upper: *TW524 Upper: TW924 Lower: *TW830 Lower: TW1230	
	<b>TW2856E</b>	*TW830 TW930			<b>TW21056E</b>	*TW830 TW1030	
	<b>TW28510</b>	*TW632 TW1232			<b>TW210510</b>	*TW632 TW1332	
<b>TW2862</b>	*TW734 TW1234	<b>TW21062</b>	*TW734 TW1334				

# 400 Series Tilt-Wash (TW) Windows (1992 to Present)

*Stormwatch™ Protection (Coastal Product)*

## Sash Balancers

<b>BALANCER USAGE CHART</b> High-Performance Tempered Impact Resistant High-Performance Sun Tempered Impact Resistant Clear Laminated Monolithic Impact Resistant Gray Laminated Monolithic Impact Resistant High-Performance Passive Sun Tempered Impact Resistant							
Unit No.		Upper and Lower Sash		Unit No.		Upper and Lower Sash	
		Balancer	Order No.			Balancer	Order No.
<b>30</b>	<b>TW30210</b>	*TW314 TW714	<a href="#">See Charts</a>	<b>34</b>	<b>TW34210</b>	TW514 *TW614	<a href="#">See Charts</a>
	<b>TW3032</b>	*TW416 TW716			<b>TW3432</b>	*TW416 TW816	
	<b>TW3036</b>	*TW418 TW818			<b>TW3436</b>	*TW718 TW718	
	<b>TW30310</b> <i>(9/2017 - Present)</i>	*TW420.35 TW920.35			<b>TW34310</b> <i>(9/2017 - Present)</i>	TW720.35 *TW820.35	
	<b>TW30310</b> <i>(2004 - 8/2017)</i>	*TW420 TW920			<b>TW34310</b> <i>(2004 - 8/2017)</i>	TW720 *TW820	
	<b>TW3042</b>	*TW522 TW922			<b>TW3442</b>	*TW522 TW1122	
	<b>TW3046</b> <i>(4/2017 - Present)</i>	*TW524.35 TW1024.35			<b>TW3446</b> <i>(4/2017 - Present)</i>	TW824.35 *TW924.35	
	<b>TW3046</b> <i>(2004 - 3/2017)</i>	*TW524 TW1024			<b>TW3446</b> <i>(2004 - 3/2017)</i>	TW824 *TW924	
	<b>TW30410</b>	*TW526 TW1226			<b>TW34410</b>	TW826 *TW1026	
	<b>TW3052</b>	*TW628 TW1228			<b>TW3452</b>	TW928 *TW1128	
	<b>TW3056C</b> <i>(4/2017 - Present)</i>	Upper: *TW524.35 Upper: TW1124.35 Lower: *TW1230 Lower: TW930			<b>TW3456C</b> <i>(4/2017 - Present)</i>	Upper: *TW924.35 Upper: TW824.35 Lower: *TW1230 Lower: TW1230	
	<b>TW3056C</b> <i>(2004 - 3/2017)</i>	Upper: *TW524 Upper: TW1024 Lower: TW930 Lower: *TW1230			<b>TW3456C</b> <i>(2004 - 3/2017)</i>	Upper: TW824 Upper: *TW924 Lower: *TW1230 Lower: TW1230	
	<b>TW3056E</b>	*TW830 TW1130			<b>TW3456E</b>	TW930 *TW1230	
	<b>TW30510</b>	TW732 *TW1332			<b>TW34510</b>	TW932 *TW1332	
<b>TW3062</b>	*TW734 TW1434	<b>TW3462</b>	TW934 *TW1434				

## Sash Balancers

<b>BALANCER USAGE CHART</b>					
High-Performance Tempered Impact Resistant High-Performance Sun Tempered Impact Resistant Clear Laminated Monolithic Impact Resistant Gray Laminated Monolithic Impact Resistant High-Performance Passive Sun Tempered Impact Resistant					
Unit No.		Upper and Lower Sash		Unit No.	
		Balancer	Order No.		
<b>38</b>	<b>TW38210</b>	TW*614 TW614	<a href="#">See Charts</a>		
	<b>TW3832</b>	*TW616 TW816			
	<b>TW3836</b>	*TW718 TW818			
	<b>TW38310</b> <i>(4/2017 - Present)</i>	*TW820.35 TW820.35			
	<b>TW38310</b> <i>(2004 - 8/2017)</i>	*TW820 TW820			
	<b>TW3842</b>	*TW822 TW1022			
	<b>TW3846</b> <i>(4/2017 - Present)</i>	*TW924.35 TW1024.35			
	<b>TW3846</b> <i>(2004 - 3/2017)</i>	*TW924 TW1024			
	<b>TW38410</b>	*TW1026 TW1026			
	<b>TW3852</b>	TW1128 *TW1128			
	<b>TW3856C</b> <i>(4/2017 - Present)</i>	Upper: *TW924.35 Upper: TW1024.35 Lower: *TW1330 Lower: TW1430			
	<b>TW3856C</b> <i>(2004 - 3/2017)</i>	Upper: *TW924 Upper: TW1024 Lower: *TW1330 Lower: TW1430			
	<b>TW3856E</b>	TW1130 *TW1230			
	<b>TW38510</b>	TW1132 *TW1332			
<b>TW3862</b>	*TW1434 TW1234				

# 400 Series Tilt-Wash (TW) Windows (1992 to Present)

*Stormwatch™ Protection (Coastal Product)*

## Sash Balancers

<b>BALANCER USAGE CHART</b> High-Performance Tempered Laminated (060) High-Performance Sun Tempered Laminated (060)							
	Unit No.	Upper and Lower Sash			Unit No.	Upper and Lower Sash	
		Balancer	Order No.			Balancer	Order No.
<b>18</b>	<b>TW18210</b>	TW614	<a href="#">See Charts</a>	<b>20</b>	<b>TW20210</b>	TW714	<a href="#">See Charts</a>
	<b>TW1832</b>	TW616			<b>TW2032</b>	TW816	
	<b>TW1836</b>	TW718			<b>TW2036</b>	TW818	
	<b>TW18310</b> <i>(9/2017 - Present)</i>	TW820.35			<b>TW20310</b> <i>(9/2017 - Present)</i>	TW820.35	
	<b>TW18310</b> <i>(2004 - 8/2017)</i>	TW820			<b>TW20310</b> <i>(2004 - 8/2017)</i>	TW920	
	<b>TW1842</b>	TW822			<b>TW2042</b>	TW1022	
	<b>TW1846</b> <i>(4/2017 - Present)</i>	TW924.35			<b>TW2046</b> <i>(4/2017 - Present)</i>	TW1124.35	
	<b>TW1846</b> <i>(2004 - 3/2017)</i>	TW924			<b>TW2046</b> <i>(2004 - 3/2017)</i>	TW1124	
	<b>TW18410</b>	TW926			<b>TW20410</b>	TW1126	
	<b>TW1852</b>	TW1028			<b>TW2052</b>	TW1228	
	<b>TW1856C</b> <i>(4/2017 - Present)</i>	Upper: TW924.35 Lower: TW1230			<b>TW2056C</b> <i>(4/2017 - Present)</i>	Upper: TW1124.35 Lower: *TW630 Lower: TW830	
	<b>TW1856C</b> <i>(2004 - 3/2017)</i>	Upper: TW924 Lower: TW1230			<b>TW2056C</b> <i>(2004 - 3/2017)</i>	Upper: TW1024 Lower: *TW630 Lower: TW830	
	<b>TW1856E</b>	TW1130			<b>TW2056E</b>	*TW630 TW730	
	<b>TW18510</b>	TW1132			<b>TW20510</b>	*TW632 TW832	
<b>TW1862</b>	TW1234	<b>TW2062</b>	TW1434				

## Sash Balancers

<b>BALANCER USAGE CHART</b>							
<b>High-Performance Tempered Laminated (060)</b>							
<b>High-Performance Sun Tempered Laminated (060)</b>							
Unit No.		Upper and Lower Sash		Unit No.		Upper and Lower Sash	
		Balancer	Order No.			Balancer	Order No.
<b>24</b>	<b>TW24210</b>	*TW314 TW514	<a href="#">See Charts</a>	<b>26</b>	<b>TW26210</b>	*TW314 TW614	<a href="#">See Charts</a>
	<b>TW2432</b>	*TW416 TW516			<b>TW2632</b>	*TW416 TW616	
	<b>TW2436</b>	*TW418 TW618			<b>TW2636</b>	*TW418 TW618	
	<b>TW24310</b> <i>(9/2017 - Present)</i>	*TW420.35 TW720.35			<b>TW26310</b> <i>(9/2017 - Present)</i>	*TW420.35 TW720.35	
	<b>TW24310</b> <i>(2004 - 8/2017)</i>	*TW420 TW720			<b>TW26310</b> <i>(2004 - 8/2017)</i>	*TW420 TW720	
	<b>TW2442</b>	*TW522 TW722			<b>TW2642</b>	*TW522 TW722	
	<b>TW2446</b> <i>(4/2017- Present)</i>	*TW524.35 TW724.35			<b>TW2646</b> <i>(4/2017- Present)</i>	*TW524.35 TW824.35	
	<b>TW2446</b> <i>(2004 - 3/2017)</i>	*TW524 TW724			<b>TW2646</b> <i>(2004 - 3/2017)</i>	*TW524 TW824	
	<b>TW24410</b>	*TW526 TW826			<b>TW26410</b>	*TW526 TW926	
	<b>TW2452</b>	*TW628 TW828			<b>TW2652</b>	*TW628 TW928	
	<b>TW2456C</b> <i>(4/2017 - Present)</i>	Upper: *TW524.35 Upper: TW724.35 Lower: *TW830 Lower: TW930			<b>TW2656C</b> <i>(4/2017 - Present)</i>	Upper: *TW524.35 Upper: TW824.35 Lower: *TW830 Lower: TW1030	
	<b>TW2456C</b> <i>(2004 - 3/2017)</i>	Upper: *TW524 Upper: TW724 Lower: *TW830 Lower: TW930			<b>TW2656C</b> <i>(2004 - 3/2017)</i>	Upper: *TW524 Upper: TW824 Lower: *TW830 Lower: TW1030	
	<b>TW2456E</b>	TW730 *TW830			<b>TW2656E</b>	*TW830 TW830	
	<b>TW24510</b>	*TW632 TW1032			<b>TW26510</b>	*TW632 TW1132	
<b>TW2462</b>	*TW734 TW1034	<b>TW2662</b>	*TW734 TW1134				



# 400 Series Tilt-Wash (TW) Windows (1992 to Present)

*Stormwatch™ Protection (Coastal Product)*

## Sash Balancers

<b>BALANCER USAGE CHART</b> High-Performance Tempered Laminated (060) High-Performance Sun Tempered Laminated (060)							
Unit No.		Upper and Lower Sash		Unit No.		Upper and Lower Sash	
		Balancer	Order No.			Balancer	Order No.
<b>28</b>	<b>TW28210</b>	*TW314 TW614	<a href="#">See Charts</a>	<b>210</b>	<b>TW210210</b>	*TW314 TW714	<a href="#">See Charts</a>
	<b>TW2832</b>	*TW416 TW616			<b>TW21032</b>	*TW416 TW716	
	<b>TW2836</b>	*TW418 TW718			<b>TW21036</b>	*TW418 TW818	
	<b>TW28310</b> <i>(4/2017 - Present)</i>	*TW420.35 TW820.35			<b>TW210310</b> <i>(4/2017 - Present)</i>	*TW420.35 TW920.35	
	<b>TW28310</b> <i>(2004 - 8/2017)</i>	*TW420 TW820			<b>TW210310</b> <i>(2004 - 8/2017)</i>	*TW420 TW920	
	<b>TW2842</b>	*TW522 TW822			<b>TW21042</b>	*TW522 TW922	
	<b>TW2846</b> <i>(4/2017 - Present)</i>	*TW524.35 TW924.35			<b>TW21046</b> <i>(4/2017 - Present)</i>	*TW524.35 TW1024.35	
	<b>TW2846</b> <i>(2004 - 3/2017)</i>	*TW524 TW924			<b>TW21046</b> <i>(2004 - 3/2017)</i>	*TW524 TW1024	
	<b>TW28410</b>	*TW526 TW1026			<b>TW210410</b>	*TW526 TW1126	
	<b>TW2852</b>	*TW628 TW1028			<b>TW21052</b>	*TW628 TW1128	
	<b>TW2856C</b> <i>(4/2017 - Present)</i>	Upper: *TW524.35 Upper: TW924.35 Lower: *TW830 Lower: TW1230			<b>TW21056C</b> <i>(4/2017 - Present)</i>	Upper: *TW524.35 Upper: TW1024.35 Lower: TW930 Lower: *TW1230	
	<b>TW2856C</b> <i>(2004 - 3/2017)</i>	Upper: *TW524 Upper: TW924 Lower: *TW830 Lower: TW1230			<b>TW21056C</b> <i>(2004 - 3/2017)</i>	Upper: *TW524 Upper: TW1024 Lower: TW930 Lower: *TW1230	
	<b>TW2856E</b>	*TW830 TW930			<b>TW21056E</b>	*TW830 TW1030	
	<b>TW28510</b>	*TW632 TW1232			<b>TW210510</b>	*TW632 TW1332	
<b>TW2862</b>	*TW734 TW1234	<b>TW21062</b>	*TW734 TW1434				

<b>BALANCER USAGE CHART</b>							
<b>High-Performance Tempered Laminated (060)</b>							
<b>High-Performance Sun Tempered Laminated (060)</b>							
<b>Unit No.</b>		<b>Upper and Lower Sash</b>		<b>Unit No.</b>		<b>Upper and Lower Sash</b>	
		<b>Balancer</b>	<b>Order No.</b>			<b>Balancer</b>	<b>Order No.</b>
<b>30</b>	<b>TW30210</b>	*TW314 TW714	<a href="#">See Charts</a>	<b>34</b>	<b>TW34210</b>	TW514 *TW614	<a href="#">See Charts</a>
	<b>TW3032</b>	*TW416 TW716			<b>TW3432</b>	*TW616 TW716	
	<b>TW3036</b>	*TW418 TW918			<b>TW3436</b>	*TW718 TW718	
	<b>TW30310</b> <i>(9/2017 - Present)</i>	*TW420.35 TW1020.35			<b>TW34310</b> <i>(9/2017 - Present)</i>	TW720.35 *TW820.35	
	<b>TW30310</b> <i>(2004 - 8/2017)</i>	*TW420 TW1020			<b>TW34310</b> <i>(2004 - 8/2017)</i>	TW720 *TW820	
	<b>TW3042</b>	*TW522 TW1022			<b>TW3442</b>	*TW822 TW922	
	<b>TW3046</b> <i>(4/2017 - Present)</i>	*TW524.35 TW1124.35			<b>TW3446</b> <i>(4/2017 - Present)</i>	*TW924.35 TW924.35	
	<b>TW3046</b> <i>(2004 - 3/2017)</i>	*TW524 TW1124			<b>TW3446</b> <i>(2004 - 3/2017)</i>	*TW924 TW924	
	<b>TW30410</b>	*TW526 TW1226			<b>TW34410</b>	TW926 *TW1026	
	<b>TW3052</b>	*TW628 TW1228			<b>TW3452</b>	TW928 *TW1128	
	<b>TW3056C</b> <i>(4/2017 - Present)</i>	Upper: *TW524.35 Upper: TW1124.35 Lower: TW1030 Lower: *TW1230			<b>TW3456C</b> <i>(4/2017 - Present)</i>	Upper: *TW924.35 Upper: TW924.35 Lower: *TW1230 Lower: TW1330	
	<b>TW3056C</b> <i>(2004 - 3/2017)</i>	Upper: *TW524 Upper: TW1124 Lower: TW1030 Lower: *TW1230			<b>TW3456C</b> <i>(2004 - 3/2017)</i>	Upper: *TW924 Upper: TW924 Lower: *TW1230 Lower: TW1330	
	<b>TW3056E</b>	*TW830 TW1130			<b>TW3456E</b>	TW1030 *TW1230	
	<b>TW30510</b>	TW632 *TW1332			<b>TW34510</b>	TW1032 *TW1332	
<b>TW3062</b>	TW834 *TW1434	<b>TW3462</b>	TW1034 *TW1434				

# 400 Series Tilt-Wash (TW) Windows (1992 to Present)

*Stormwatch™ Protection (Coastal Product)*

## Sash Balancers

BALANCER USAGE CHART					
High-Performance Tempered Laminated (060)					
High-Performance Sun Tempered Laminated (060)					
Unit No.		Upper and Lower Sash		Unit No.	
		Balancer	Order No.		
<b>38</b>	<b>TW38210</b>	*TW614 TW714	<a href="#">See Charts</a>		
	<b>TW3832</b>	*TW616 TW816			
	<b>TW3836</b>	*TW718 TW818			
	<b>TW38310</b> <i>(4/2017 - Present)</i>	*TW820.35 TW920.35			
	<b>TW38310</b> <i>(2004 - 8/2017)</i>	*TW820 TW920			
	<b>TW3842</b>	*TW822 TW1022			
	<b>TW3846</b> <i>(4/2017 - Present)</i>	*TW924.35 TW1124.35			
	<b>TW3846</b> <i>(2004 - 3/2017)</i>	*TW924 TW1124			
	<b>TW38410</b>	*TW1026 TW1126			
	<b>TW3852</b>	*TW1128 TW1228			
	<b>TW3856C</b> <i>(4/2017 - Present)</i>	Upper: *TW924.35 Upper: TW1124.35 Lower: *TW1330 Lower: TW1430			
	<b>TW3856C</b> <i>(2004 - 3/2017)</i>	Upper: *TW924 Upper: TW1024 Lower: *TW1430 Lower: TW1430			
	<b>TW3856E</b>	*TW1230 TW1230			
	<b>TW38510</b>	*TW1332 TW1232			
<b>TW3862</b>	TW1334 *TW1434				

## Sash Balancers

### Balancers - Block and Tackle with Shoe

**Note:**

Order quantity of two when ordering replacements for a unit manufactured prior to November of 2016.  
 See [Service Guide 0005176](#) for balancer replacement. See [Balancer Replacement Video](#).

### Balancer - Block and Tackle with Shoe

Balancer No.	Order No.	Balancer No.	Order No.	Balancer No.	Order No.	Balancer No.	Order No.	Balancer No.	Order No.	Balancer No.	Order No.
TW310	9151976	TW520.35	9169121	TW712	9151928	TW840	9152236	TW1124	9152210	TW1428	9152226
TW312	9151916	TW522	9152197	TW714	9152184	TW842	9152237	TW1124.35	9160191	TW1430	9160270
TW314	9152180	TW524	9152204	TW716	9152188	TW918	9152153	TW1124.5	-	TW1434	9152179
TW316	9152292	TW524.35	9160185	TW718	9152151	TW920	9152195	TW1124.6	9160201	TW1435	9160271
TW318	9160122	TW524.5	-	TW720	9152193	TW920.35	9169126	TW1125	9151946	TW1436	9160275
TW320	9160123	TW524.6	9160195	TW720.35	9169123	TW922	9152201	TW1126	9152160	TW1436.35	9160223
TW320.35	9169125	TW525	9151920	TW722	9152199	TW924	9152208	TW1128	9152216	TW1436.5	9160276
TW322	9160124	TW526	9152154	TW724	9152206	TW924.35	9160189	TW1130	9152167	TW1437	9151955
TW324.35	9160183	TW528	9160146	TW724.35	9160187	TW924.5	-	TW1132	9152174	TW1438	9160275
TW324.5	-	TW530	9160147	TW724.5	-	TW924.6	9160199	TW1134	9152177	TW1440	9152234
TW324.6	9160193	TW532	9160148	TW724.6	9160197	TW925	9151938	TW1136	9152251	TW1442	9152235
TW325	9160129	TW534	9160149	TW725	9151930	TW926	9152158	TW1136.35	9160220	TW1436.5	9160276
TW326	9160130	TW536	9152245	TW726	9152156	TW928	9152214	TW1136.5	9151947	TW1437	9160277
TW410	9151977	TW536.35	9160214	TW728	9152212	TW930	9152165	TW1137	9151948	TW1438	9160278
TW412	9151917	TW536.5	9151921	TW730	9152163	TW932	9152172	TW1138	9160216	TW1532	9160272
TW414	9152181	TW537	9151922	TW732	9152170	TW934	9152220	TW1140	9152228	TW1534	9160273
TW416	9152185	TW538	9160151	TW734	9152218	TW936	9152249	TW1142	9152229	TW1540	9160279
TW418	9152148	TW540	9160152	TW736	9152247	TW936.35	9160218	TW1224	9160265	TW1634	9160274
TW420	9152190	TW542	9160153	TW736.35	9160216	TW936.5	9151939	TW1224.35	9160192		
TW420.35	9169119	TW610	9151979	TW736.5	9151931	TW937	9151940	TW1224.5	-		
TW422	9160131	TW612	9151923	TW737	9151932	TW938	9160198	TW1224.6	9160202		
TW424	9160132	TW614	9152183	TW738	9160190	TW940	9152238	TW1225	9151949		
TW424.35	9160184	TW616	9152187	TW740	9152223	TW942	9152239	TW1226	9152161		
TW424.5	-	TW618	9152150	TW742	9152224	TW1020	9152196	TW1228	9152217		
TW424.6	9160194	TW620	9152192	TW816	9152189	TW1020.35	9169127	TW1230	9152168		
TW425	9152294	TW620.35	9169122	TW818	9152152	TW1022	9152202	TW1232	9152175		
TW426	9160135	TW622	9152198	TW820	9152194	TW1024	9152209	TW1234	9152222		
TW428	9160136	TW624	9152205	TW820.35	9169124	TW1024.35	9160190	TW1236	9152252		
TW430	9160137	TW624.35	9160186	TW822	9152200	TW1024.5	-	TW1236.35	9160221		
TW432	9160138	TW624.5	-	TW824	9152207	TW1024.6	9160200	TW1238	9160222		
TW434	9160139	TW624.6	9160155	TW824.35	9160188	TW1025	9151942	TW1240	9152230		
TW436	9152244	TW625	9151925	TW824.5	-	TW1026	9152159	TW1242	9152231		
TW436.35	9160213	TW626	9152155	TW824.6	9160198	TW1028	9152215	TW1326	9160267		
TW436.5	9152295	TW628	9152211	TW825	9151934	TW1030	9152166	TW1328	9160268		
TW437	9152296	TW630	9152162	TW826	9152157	TW1032	9152173	TW1330	9160269		
TW438	9160141	TW632	9152169	TW828	9152213	TW1034	9152221	TW1332	9152176		
TW440	9160142	TW634	9160156	TW830	9152164	TW1036	9152250	TW1334	9152178		
TW442	9160143	TW636	9152246	TW832	9152171	TW1036.35	9160219	TW1336	9152253		
TW510	9151978	TW636.35	9160215	TW834	9152219	TW1036.5	9151943	TW1336.35	9160222		
TW512	9151918	TW636.5	9151926	TW836	9152248	TW1037	9151944	TW1336.5	9151952		
TW514	9152182	TW637	9151927	TW836.35	9160217	TW1038	9160202	TW1337	9151953		
TW516	9152186	TW640	9160185	TW836.5	9151935	TW1040	9152225	TW1338	9160268		
TW518	9152149	TW642	9160186	TW837	9151936	TW1042	9152227	TW1340	9152232		
TW520	9152191	TW710	9151980	TW838	9160194	TW1122	9152203	TW1342	9152233		

# 400 Series Tilt-Wash (TW) Windows (1992 to Present)

Stormwatch™ Protection (Coastal Product)

## Sash Balancers

### Balancers - Block and Tackle with Tab

**Note:**

See [Service Guide 0005176](#) for balancer replacement. See [Balancer Replacement Video](#).

### Balancer - Block and Tackle with Tab

Balancer No.	Order No.	Balancer No.	Order No.	Balancer No.	Order No.	Balancer No.	Order No.	Balancer No.	Order No.
TW310	9151981	TW636.35	9160224	TW842	9051528	TW1136.35	9160226	TW1432	9160113
TW312	9151956	TW632	1625720	TW918	9160107	TW1136.5	9151968	TW1434	1625723
TW314	1625701	TW636	9152254	TW920	9160108	TW1137	9151969	TW1436.35	9160229
TW416	1625703	TW638	9160116	TW924	1625712	TW1138	9160118	TW1436.5	9159448
TW418	1625705	TW636.5	9151960	TW924.35	9160204	TW1128	1625716	TW1437	9151975
TW420	1625707	TW637	9151961	TW924.5	9151964	TW1142	9051517	TW1438	9160121
TW420.35	9169120	TW718	1625706	TW924.6	9160208	TW1225	9160264	TW1532	9160114
TW522	1625709	TW734	1625722	TW942	9051531	TW1228	9160110	TW1632	9160115
TW524	1625711	TW740	9051532	TW1020	9160182	TW1230	1625719		
TW524.35	9160203	TW742	9051524	TW1024	9160109	TW1236.35	9160227		
TW524.5	9151957	TW820	1625708	TW1024.35	9160205	TW1236.5	9159437		
TW524.6	9160207	TW820.35	9169125	TW1024.6	9160209	TW1237	9151971		
TW525	9151958	TW822	1625710	TW1025	9151965	TW1238	9160119		
TW526	1625713	TW830	1625718	TW1026	1625714	TW1328	9160111		
TW610	9151982	TW836	9152255	TW1036.5	9159427	TW1330	9160112		
TW614	1625702	TW836.35	9160225	TW1037	9151967	TW1332	1625721		
TW612	9151959	TW836.5	9151962	TW1040	9051512	TW1336.35	9160228		
TW616	1625704	TW837	9151963	TW1042	9051514	TW1336.5	9159442		
TW628	1625715	TW838	9160117	TW1124.35	9160206	TW1337	9151973		
TW630	1625717	TW840	9051526	TW1124.6	9160210	TW1338	9160120		

## Grilles - Colonial

---

## Grilles - Colonial

---

**Upper / Lower / Wood Interior w/chisel plungers (5/2010 - Present)**

**Note:**

See [Accessory Guide 9033637](#).

# 400 Series Tilt-Wash (TW) Windows (1992 to Present)

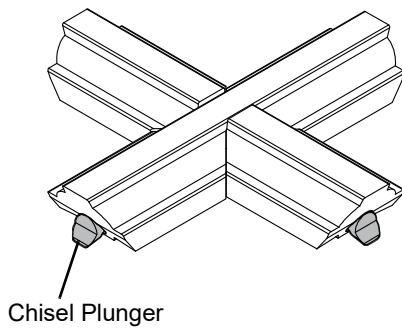
Stormwatch™ Protection (Coastal Product)

## Grilles - Colonial

### Interior Grille with Chisel Plungers - Colonial / 3/4" Wood / Natural Interior (5/2010 - Present)

**Note:**

Can be used for upper and lower grilles on Stormwatch units. See iQ+ for additional detail.



- Grille Size  
 U-Upper  
 CU-Cottage Upper  
 RU-Reverse Upper  
 L-Lower  
 CL-Cottage Lower  
 RL-Reverse Lower  
 EL-Even Lower  
 C-Cottage

### Interior Grilles - 3/4" Wood with Chisel Plungers

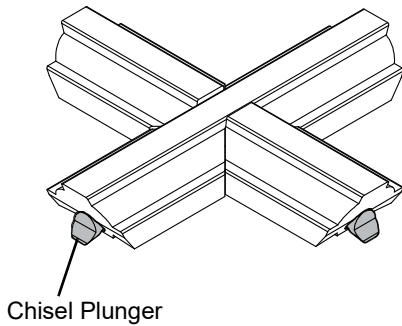
Unit No.	Dimensions (w x h)	Lite Pattern	Color/Species							
			Exterior							
			White	Terra-tone®	Sand-tone	Forest Green	Canvas	Dark Bronze	Black	
			Maple Interior							
18	18-210L	15 7/32 x 14 7/32	+	9022688	9022950	9022487	9022247	9047444	9072165	9127256
	18-32L/310RL	15 7/32 x 16 7/32		9022689	9022951	9022488	9022248	9047445	9072166	9127257
	18-36L/42RL	15 7/32 x 18 7/32		9022744	9023062	9022393	9022303	9047500	9072221	9127288
	18-310L (9/2017 - Present)	15 7/32 x 19 23/32		9168201	9168160	9168112	9168101	9168037	9168058	9168026
	18-310L/46RL/410RL (5/2010 - 8/2017)	15 7/32 x 20 7/32		9022690	9022952	9022489	9022249	9047446	9072167	9127258
	18-310U (9/2017 - Present)	15 7/32 x 20 23/32		9168436	9168400	9168365	9168364	9168317	9168318	9168279
	18-42L/52RL	15 7/32 x 22 7/32		9022691	9022953	9022490	9022250	9047447	9072168	9127259
	18-46L/56RCL (4/2017 - Present)	15 7/32 x 23 23/32		9152673	9152671	9152669	9152668	9152666	9152667	9152665
	18-46L/56RL/510RL (5/2010 - 3/2017)	15 7/32 x 24 7/32		9022692	9022954	9022491	9022251	9047448	9072169	9127260
	18-46U (4/2017 - Present)	15 7/32 x 24 23/32		9164747	9164751	9164755	9164759	9164767	9164763	9164771
	18-410L/62RL	15 7/32 x 26 7/32	9022745	9023063	9022394	9022304	9047501	9072222	9127289	
	18-52L	15 7/32 x 28 7/32	9022693	9022955	9022492	9022252	9047449	9072170	9127261	
	18-310CL	15 7/32 x 24 7/32	+	9022896	9023188	9022605	9022366	9047552	9072273	9127304
	18-42CL	15 7/32 x 26 7/32		9022897	9023189	9022606	9022367	9047553	9072274	9127305
	18-46CL	15 7/32 x 28 7/32		9022898	9023190	9022607	9022368	9047554	9072275	9127306
	18-56EL	15 7/32 x 30 7/32		9022665	9023163	9022493	9022358	9047548	9072269	9127300
	18-510L/18410CL	15 7/32 x 32 7/32		9022746	9023064	9022395	9022305	9047502	9072223	9127290
	18-62L/1852CL	15 7/32 x 34 7/32		9022695	9022957	9022494	9022254	9047451	9072172	9127263
	18-56CL (4/2017 - Present)	15 7/32 x 35 23/32		9152693	9152691	9152689	9152688	9152686	9152687	9152685
	18-56CL (5/2010 - 3/2017)	15 7/32 x 36 7/32		9022694	9022956	9022629	9022253	9047450	9072171	9127262

## Grilles - Colonial

### Interior Grille with Chisel Plungers - Colonial / 3/4" Wood / Natural Interior (5/2010 - Present)

**Note:**

Can be used for upper and lower grilles on Stormwatch units. See iQ+ for additional detail.



- Grille Size
- U-Upper
- CU-Cottage Upper
- RU-Reverse Upper
- L-Lower
- CL-Cottage Lower
- RL-Reverse Lower
- EL-Even Lower
- C-Cottage

### Interior Grilles - 3/4" Wood with Chisel Plungers

Unit No.	Dimensions (w x h)	Lite Pattern	Color/Species						
			Exterior						
			White	Terra-tone®	Sand-tone	Forest Green	Canvas	Dark Bronze	Black
			Maple Interior						
20-210	19 7/32 x 14 7/32		9022696	9022958	9022495	9022255	9047452	9072173	9127376
20-32/310CU/310RL	19 7/32 x 16 7/32		9022697	9022959	9022496	9022256	9047453	9072174	9127377
20-36/42CU/42RL	19 7/32 x 18 7/32		9022747	9023065	9022396	9022306	9047503	9072224	9127403
20-310L (9/2017 - Present)	19 7/32 x 19 23/32		9168202	9168161	9168113	9168102	9168038	9168059	9168034
20-310/46CU/410CU/46RL/ 410RL (5/2010 - 8/2017)	19 7/32 x 20 7/32		9022698	9022960	9022497	9022257	9047454	9072175	9127378
20-310U (9/2017 - Present)	19 7/32 x 20 23/32		9168402	9168374	9168340	9168330	9168283	9168300	9168280
20-42/52CU/52RL	19 7/32 x 22 7/32		9022699	9022961	9022498	9022258	9047455	9072176	9127379
20-46L/56RCL (4/2017 - Present)	19 7/32 x 23 23/32		9152743	9152741	9152739	9152728	9152736	9152737	9152735
20-46/56CU/510CU/56RL/510RL (5/2010 - 3/2017)	19 7/32 x 24 7/32		9022700	9022962	9022499	9022259	9047456	9072177	9127380
20-46U/56CU (4/2017 - Present)	19 7/32 x 24 23/32		9152733	9152731	9152729	9152738	9152725	9152727	9152726
20-410/62CU/62RL	19 7/32 x 26 7/32		9022748	9023066	9022397	9022307	9047504	9072225	9127404
20-52	19 7/32 x 28 7/32		9022701	9022963	9022500	9022260	9047457	9072178	9127381
20-310CL/310RU	19 7/32 x 24 7/32		9022899	9023191	9022608	9022369	9047555	9072276	9127455
20-42CL/42RU	19 7/32 x 26 7/32		9022900	9023192	9022609	9022370	9047556	9072277	9127456
20-46CL/46RU	19 7/32 x 28 7/32	9022901	9023193	9022610	9022371	9047557	9072278	9127457	
20-56E	19 7/32 x 30 7/32	9022787	9023165	9022501	9022346	9047543	9072264	9127443	
20-510/410CL/410RU	19 7/32 x 32 7/32	9022775	9023093	9022424	9022334	9047531	9072252	9127431	
20-62/52CL/52RU	19 7/32 x 34 7/32	9022703	9022965	9022502	9022262	9047459	9072180	9127383	
20-56CL (4/2017 - Present)	19 7/32 x 35 23/32	9163136	9163132	9163128	9163126	9163122	9163124	9163120	
20-56CL/56RU (5/2010 - 3/2017)	19 7/32 x 36 7/32	9022702	9022964	9022642	9022261	9047458	9072179	9127382	



# 400 Series Tilt-Wash (TW) Windows (1992 to Present)

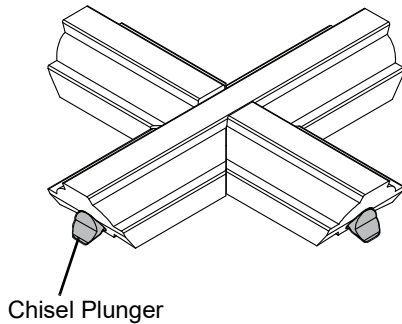
Stormwatch™ Protection (Coastal Product)

## Grilles - Colonial

### Interior Grille with Chisel Plungers - Colonial / 3/4" Wood / Natural Interior (5/2010 - Present)

**Note:**

Can be used for upper and lower grilles on Stormwatch units. See iQ+ for additional detail.



- Grille Size  
 U-Upper  
 CU-Cottage Upper  
 RU-Reverse Upper  
 L-Lower  
 CL-Cottage Lower  
 RL-Reverse Lower  
 EL-Even Lower  
 C-Cottage

### Interior Grilles - 3/4" Wood with Chisel Plungers

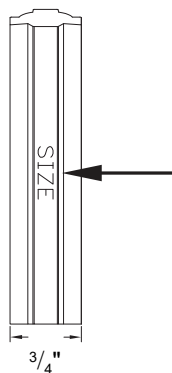
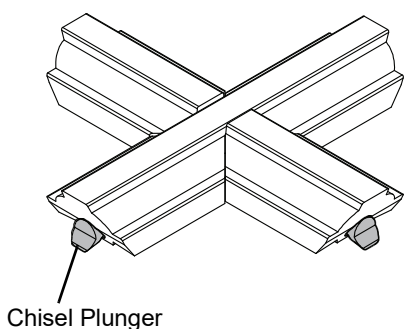
Unit No.	Dimensions (w x h)	Lite Pattern	Color/Species							
			Exterior							
			White	Terra-tone®	Sand-tone	Forest Green	Canvas	Dark Bronze	Black	
			Maple Interior							
24	24-210	23 7/32 x 14 7/32		9022704	9022966	9022503	9022263	9047460	9072181	9127384
	24-32/310CU/310RL	23 7/32 x 16 7/32		9022705	9022967	9022504	9022264	9047461	9072182	9127385
	24-36/42CU/42RL	23 7/32 x 18 7/32		9022749	9023067	9022398	9022308	9047505	9072226	9127405
	20-310L (9/2017 - Present)	23 7/32 x 19 23/32		9168203	9168162	9168114	9168103	9168039	9168060	9168035
	24-310/46CU/410CU/46RL/410RL (5/2010 - 8/2017)	23 7/32 x 20 7/32		9022706	9022968	9022505	9022265	9047462	9072183	9127386
	24-310U (9/2017 - Present)	23 7/32 x 20 23/32		9168403	9168375	9168341	9168331	9168284	9168301	9168281
	24-42/52CU/52RL	23 7/32 x 22 7/32		9022707	9022969	9022506	9022266	9047463	9072184	9127387
	24-46L/56RCL (4/2017 - Present)	23 7/32 x 23 23/32		9152813	9152811	9152809	9152808	9152806	9152807	9152805
	24-46/56CU/510CU/56RL/510RL (5/2010 - 3/2017)	23 7/32 x 24 7/32		9022708	9022970	9022507	9022267	9047464	9072185	9127388
	24-46U/56CU (4/2017 - Present)	23 7/32 x 24 23/32		9152803	9152801	9152799	9152798	9152796	9152797	9152795
	24-410/62CU/62RL	23 7/32 x 26 7/32	9022750	9023068	9022399	9022309	9047506	9072227	9127406	
	24-52	23 7/32 x 28 7/32	9022709	9022971	9022508	9022268	9047465	9072186	9127389	
	24-310CL/310RU	23 7/32 x 24 7/32	9022902	9023194	9022611	9022372	9047558	9072279	9127458	
	24-42CL/42RU	23 7/32 x 26 7/32	9022903	9023195	9022612	9022373	9047559	9072280	9127459	
	24-46CL/46RU	23 7/32 x 28 7/32	9022904	9023196	9022613	9022374	9047560	9072281	9127460	
	24-56E	23 7/32 x 30 7/32	9022788	9023102	9022433	9022347	9047544	9072265	9127444	
	24-510/410CL/410RU	23 7/32 x 32 7/32	9022776	9023094	9022425	9022335	9047532	9072253	9127432	
	24-62/52CU/52RU	23 7/32 x 34 7/32	9022711	9022973	9022510	9022270	9047467	9072188	9127391	
	24-56CL (4/2017 - Present)	23 7/32 x 35 23/32	9163172	9163170	9163168	9163166	9163162	9163164	9163160	
	24-56CL/56RU (5/2010 - 3/2017)	23 7/32 x 36 7/32	9022710	9022972	9022509	9022269	9047466	9072187	9127390	

## Grilles - Colonial

### Interior Grille with Chisel Plungers - Colonial / 3/4" Wood / Natural Interior (5/2010 - Present)

**Note:**

Can be used for upper and lower grilles on Stormwatch units. See iQ+ for additional detail.



- Grille Size
- U-Upper
- CU-Cottage Upper
- RU-Reverse Upper
- L-Lower
- CL-Cottage Lower
- RL-Reverse Lower
- EL-Even Lower
- C-Cottage

### Interior Grilles - 3/4" Wood with Chisel Plungers

Unit No.	Dimensions (w x h)	Lite Pattern	Color/Species							
			Exterior							
			White	Terra-tone®	Sand-tone	Forest Green	Canvas	Dark Bronze	Black	
			Maple Interior							
26	26-210	25 7/32 x 14 7/32		9022751	9023069	9022400	9022310	9047507	9072228	9127407
	26-32/310CU/310CL	25 7/32 x 16 7/32		9022752	9023070	9022401	9022311	9047508	9072229	9127408
	26-36/42CU/42RL	25 7/32 x 18 7/32		9022753	9023071	9022402	9022312	9047509	9072230	9127409
	26-310L (9/2017 - Present)	25 7/32 x 19 23/32		9168208	9168167	9168110	9168108	9168044	9168065	9168087
	26-310/46CU/410CU/46RL/41RL (5/2010 - 8/2017)	25 7/32 x 20 7/32		9022754	9023072	9022403	9022313	9047510	9072231	9127410
	26-310U (9/2017 - Present)	25 7/32 x 20 23/32		9168408	9168380	9168338	9168336	9168289	9168306	9168319
	26-42/52CU/52RL	25 7/32 x 22 7/32		9022755	9023073	9022404	9022314	9047511	9072232	9127411
	26-46L/56RCL (4/2017 - Present)	25 7/32 x 23 23/32		9152843	9152841	9152839	9152838	9152836	9152837	9152835
	26-46/56CU/510CU/56RL/510RL (5/2010 - 3/2017)	25 7/32 x 24 7/32		9022756	9023074	9022405	9022315	9047512	9072233	9127412
	26-46U/56CU (4/2017 - Present)	25 7/32 x 24 23/32		9152833	9152831	9152829	9152828	9152826	9152827	9152825
	26-410/62CU/62RL	25 7/32 x 26 7/32		9022757	9023075	9022406	9022316	9047513	9072234	9127413
	26-52	25 7/32 x 28 7/32		9022758	9023076	9022407	9022317	9047514	9072235	9127414
	26-310CL/310RU	25 7/32 x 24 7/32	9022917	9023209	9022599	9022387	9047573	9072294	9127473	
	26-42CL/42RU	25 7/32 x 26 7/32	9022918	9023210	9022600	9022388	9047574	9072295	9127474	
	26-46CL/46RU	25 7/32 x 28 7/32	9022919	9023211	9022601	9022389	9047575	9072296	9127475	
	26-56E	25 7/32 x 30 7/32	9022789	9023095	9022426	9022348	9047545	9072266	9127445	
	26-510/410CL/410RU	25 7/32 x 32 7/32	9022778	9023096	9022427	9022337	9047534	9072255	9127434	
	26-62/52CL/52RU	25 7/32 x 34 7/32	9022779	9023097	9022428	9022338	9047535	9072256	9127435	
	26-56CL (4/2017 - Present)	25 7/32 x 35 23/32	9163192	9163190	9163188	9163186	9163182	9163184	9163180	
	26-56CL/56RU (5/2010 - 3/2017)	25 7/32 x 36 7/32	9022777	9023104	9022435	9022336	9047533	9072254	9127433	

# 400 Series Tilt-Wash (TW) Windows (1992 to Present)

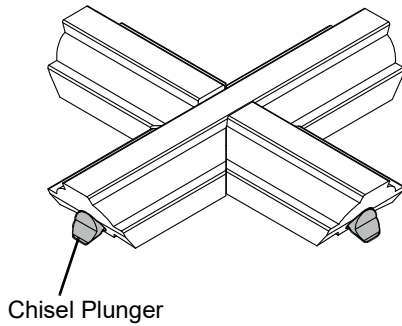
Stormwatch™ Protection (Coastal Product)

## Grilles - Colonial

### Interior Grille with Chisel Plungers - Colonial / 3/4" Wood / Natural Interior (5/2010 - Present)

**Note:**

Can be used for upper and lower grilles on Stormwatch units. See iQ+ for additional detail.



- Grille Size  
 U-Upper  
 CU-Cottage Upper  
 RU-Reverse Upper  
 L-Lower  
 CL-Cottage Lower  
 RL-Reverse Lower  
 EL-Even Lower  
 C-Cottage

### Interior Grilles - 3/4" Wood with Chisel Plungers

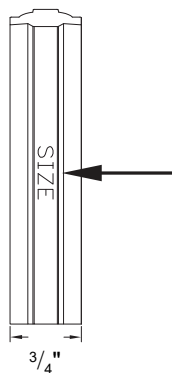
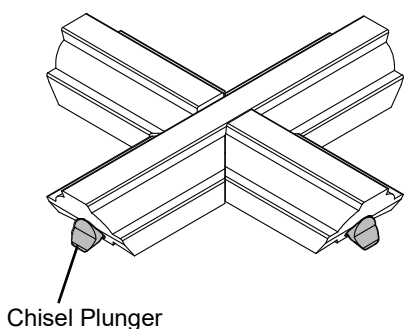
Unit No.	Dimensions (w x h)	Lite Pattern	Color/Species							
			Exterior							
			White	Terra-tone®	Sand-tone	Forest Green	Canvas	Dark Bronze	Black	
			Maple Interior							
28	28-210	27 7/32 x 14 7/32	+	9022712	9022974	9022511	9022271	9047468	9072189	9127392
	28-32/310CU/310RL	27 7/32 x 16 7/32		9022713	9022975	9022512	9022272	9047469	9072190	9127393
	28-36/42CU/42RL	27 7/32 x 18 7/32		9022759	9023077	9022408	9022318	9047515	9072236	9127415
	28-310L (9/2017 - Present)	27 7/32 x 19 23/32		9168204	9168163	9168115	9168104	9168040	9168061	9168036
	28-310/46CU/410CU/46RL/ 410RL (5/2010 - 8/2017)	27 7/32 x 20 7/32		9022714	9022976	9022513	9022273	9047470	9072191	9127394
	28-310U (9/2017 - Present)	27 7/32 x 20 23/32		9168404	9168376	9168342	9168332	9168285	9168302	9168282
	28-42/52CU/52RL	27 7/32 x 22 7/32		9022715	9022977	9022514	9022274	9047471	9072192	9127395
	28-46L/56RCL (4/2017 - Present)	27 7/32 x 23 23/32		9152873	9152871	9152869	9152868	9152866	9152867	9152865
	28-46/56CU/510CU/56RL/510RL (5/2010 - 3/2017)	27 7/32 x 24 7/32		9022716	9022978	9022515	9022275	9047472	9072193	9127396
	28-46U/56CU (4/2017 - Present)	27 7/32 x 24 23/32		9152863	9152861	9152859	9152858	9152856	9152857	9152855
	28-410/62CU/62RL	27 7/32 x 26 7/32	9022760	9023078	9022409	9022319	9047516	9072237	9127416	
	28-52	27 7/32 x 28 7/32	9022717	9022979	9022516	9022276	9047473	9072194	9127397	
	28-310CL/310RU	27 7/32 x 24 7/32	9022905	9023197	9022614	9022375	9047561	9072282	9127461	
	28-42CL/42RU	27 7/32 x 26 7/32	9022906	9023198	9022615	9022376	9047562	9072283	9127462	
	28-46CL/46RU	27 7/32 x 28 7/32	9022907	9023199	9022616	9022377	9047563	9072284	9127463	
	28-56E	27 7/32 x 30 7/32	9022790	9023105	9022436	9022349	9047546	9072267	9127446	
	28-510/410CL /410RU	27 7/32 x 32 7/32	9022780	9023098	9022429	9022339	9047536	9072257	9127436	
	28-62/52CL/52RU	27 7/32 x 34 7/32	9022719	9022981	9022518	9022278	9047475	9072196	9127399	
	28-56CL (4/2017 - Present)	27 7/32 x 35 23/32	9163212	9163210	9163208	9163206	9163202	9163204	9163200	
	28-56CL/56RU (5/2010 - 3/2017)	27 7/32 x 36 7/32	9022718	9022980	9022517	9022277	9047474	9072195	9127398	

## Grilles - Colonial

### Interior Grille with Chisel Plungers - Colonial / 3/4" Wood / Natural Interior (5/2010 - Present)

**Note:**

Can be used for upper and lower grilles on Stormwatch units. See iQ+ for additional detail.



- Grille Size  
 U-Upper  
 CU-Cottage Upper  
 RU-Reverse Upper  
 L-Lower  
 CL-Cottage Lower  
 RL-Reverse Lower  
 EL-Even Lower  
 C-Cottage

### Interior Grilles - 3/4" Wood with Chisel Plungers

Unit No.	Dimensions (w x h)	Lite Pattern	Color/Species							
			Exterior							
			White	Terra-tone®	Sand-tone	Forest Green	Canvas	Dark Bronze	Black	
			Maple Interior							
<b>210</b>	210-210	29 7/32 x 14 7/32		9022761	9023079	9022410	9022320	9047517	9072238	9127417
	210-32/310CU/310RL	29 7/32 x 16 7/32		9022762	9023080	9022411	9022321	9047518	9072239	9127418
	210-36/42CU/42RL	29 7/32 x 18 7/32		9022763	9023081	9022412	9022322	9047519	9072240	9127419
	210-310L (9/2017 - Present)	29 7/32 x 19 23/32		9168209	9168168	9168111	9168109	9168045	9168066	9168088
	210-310/46CU/410CU/46RL/ 410RL (5/2010 - 8/2017)	29 7/32 x 20 7/32		9022764	9023082	9022413	9022323	9047520	9072241	9127420
	210-310U (9/2017 - Present)	29 7/32 x 20 23/32		9168409	9168381	9168339	9168337	9168290	9168307	9168320
	210-42/52CU/52RL	29 7/32 x 22 7/32		9022765	9023083	9022414	9022324	9047521	9072242	9127421
	210-46L/56RCL (4/2017 - Present)	29 7/32 x 23 23/32		9152773	9152771	9152769	9152768	9152766	9152767	9152765
	210-46/56CU/510CU/56RL/ 510RL (5/2010 - 3/2017)	29 7/32 x 24 7/32		9022766	9023084	9022415	9022325	9047522	9072243	9127422
	210-46U/56CU (4/2017 - Present)	29 7/32 x 24 23/32		9152763	9152761	9152759	9152758	9152756	9152757	9152755
	210-410/62CU/62RL	29 7/32 x 26 7/32	9022767	9023085	9022416	9022326	9047523	9072244	9127423	
	210-52	29 7/32 x 28 7/32	9022768	9023086	9022417	9022327	9047524	9072245	9127424	
	210-310CL/310RU	29 7/32 x 24 7/32	9022920	9023212	9022602	9022390	9047576	9072297	9127476	
	210-42CL/42RU	29 7/32 x 26 7/32	9022921	9023213	9022603	9022391	9047577	9072298	9127477	
	210-46CL/46RU	29 7/32 x 28 7/32	9022922	9023214	9022604	9022392	9047578	9072299	9127478	
	21056E	29 7/32 x 30 7/32	9022791	9023099	9022430	9022350	9047547	9072268	9127447	
	210-510/410CL/410RU	29 7/32 x 32 7/32	9022782	9023100	9022431	9022341	9047538	9072259	9127438	
	210-62/52CL/52RU	29 7/32 x 34 7/32	9022783	9023101	9022432	9022342	9047539	9072260	9127439	
	210-56CL (4/2017 - Present)	29 7/32 x 35 23/32	9163152	9163150	9163148	9163146	9163142	9163144	9163140	
	210-56CL/56RU (5/2010 - 3/2017)	29 7/32 x 36 7/32	9022781	9023106	9022437	9022340	9047537	9072258	9127437	

# 400 Series Tilt-Wash (TW) Windows (1992 to Present)

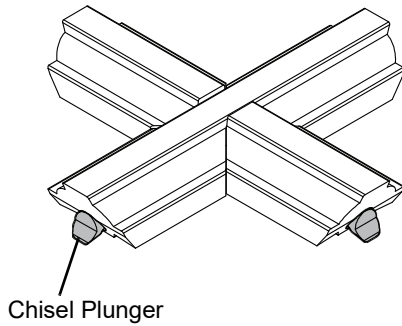
Stormwatch™ Protection (Coastal Product)

## Grilles - Colonial

### Interior Grille with Chisel Plungers - Colonial / 3/4" Wood / Natural Interior (5/2010 - Present)

**Note:**

Can be used for upper and lower grilles on Stormwatch units. See iQ+ for additional detail.



- Grille Size  
 U-Upper  
 CU-Cottage Upper  
 RU-Reverse Upper  
 L-Lower  
 CL-Cottage Lower  
 RL-Reverse Lower  
 EL-Even Lower  
 C-Cottage

### Interior Grilles - 3/4" Wood with Chisel Plungers

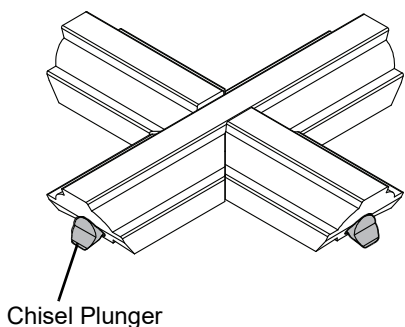
Unit No.	Dimensions (w x h)	Lite Pattern	Color/Species							
			Exterior							
			White	Terra-tone®	Sand-tone	Forest Green	Canvas	Dark Bronze	Black	
			Maple Interior							
30	30-210L	31 7/32 × 14 7/32		9022720	9022982	9022519	9022279	9047476	9072197	9127264
	30-32L/310RL	31 7/32 × 16 7/32		9022721	9022983	9022520	9022280	9047477	9072198	9127265
	30-36L/42RL	31 7/32 × 18 7/32		9022769	9023087	9022418	9022328	9047525	9072246	9127291
	30-310L (9/2017 - Present)	31 7/32 × 19 23/32		9168205	9168164	9168116	9168105	9168041	916806	9168027
	30-310L/46RL/410RL (5/2010 - 8/2017)	31 7/32 × 20 7/32		9022722	9022984	9022521	9022281	9047478	9072199	9127266
	30-310U (9/2017 - Present)	31 7/32 × 20 23/32		9168405	9168377	9168343	9168333	9168286	9168303	9168276
	30-42L/52RL	31 7/32 × 22 7/32		9022723	9022985	9022522	9022282	9047479	9072200	9127267
	30-46L/56RCL (4/2017 - Present)	31 7/32 × 23 23/32		9152903	9152901	9152899	9152898	9152896	9152897	9152895
	30-46L/56RL/510RL (5/2010 - 3/2017)	31 7/32 × 24 7/32		9022724	9022986	9022523	9022283	9047480	9072201	9127268
	30-46U (4/2017 - Present)	31 7/32 × 24 23/32		9164748	9164752	9164756	9164760	9164768	9164764	9164772
	30-410L/62RL	31 7/32 × 26 7/32	9022770	9023088	9022419	9022329	9047526	9072247	9127292	
	30-52L	31 7/32 × 28 7/32	9022725	9022987	9022524	9022284	9047481	9072202	9127269	
	30-310CL	31 7/32 × 24 7/32	9022908	9023200	9022617	9022378	9047564	9072285	9127307	
	30-42CL	31 7/32 × 26 7/32	9022909	9023201	9022618	9022379	9047565	9072286	9127308	
	30-46CL	31 7/32 × 28 7/32	9022910	9023202	9022619	9022380	9047566	9072287	9127309	
	30-56EL	31 7/32 × 30 7/32	9022667	9023166	9022644	9022360	9047549	9072270	9127301	
	30-510L/410CL	31 7/32 × 32 7/32	9022784	9023103	9022434	9022343	9047540	9072261	9127297	
	30-62L/52CL	31 7/32 × 34 7/32	9022727	9022989	9022526	9022286	9047483	9072204	9127271	
	30-56CL (4/2017 - Present)	31 7/32 × 35 23/32	9152921	9152919	9152917	9152916	9152914	9152915	9152913	
	30-56CL (5/2010 - 3/2017)	31 7/32 × 36 7/32	9022726	9022988	9022525	9022285	9047482	9072203	9127270	

## Grilles - Colonial

### Interior Grille with Chisel Plungers - Colonial / 3/4" Wood / Natural Interior (5/2010 - Present)

**Note:**

Can be used for upper and lower grilles on Stormwatch units. See iQ+ for additional detail.



- Grille Size
- U-Upper
- CU-Cottage Upper
- RU-Reverse Upper
- L-Lower
- CL-Cottage Lower
- RL-Reverse Lower
- EL-Even Lower
- C-Cottage

### Interior Grilles - 3/4" Wood with Chisel Plungers

Unit No.	Dimensions (w x h)	Lite Pattern	Color/Species								
			Exterior								
			White	Terra-tone®	Sand-tone	Forest Green	Canvas	Dark Bronze	Black		
			Maple Interior								
34	34-210L	35 7/32 x 14 7/32		9022728	9022990	9022527	9022287	9047484	9072205	9127272	
	34-32L/310RL	35 7/32 x 16 7/32		9022729	9022991	9022528	9022288	9047485	9072206	9127273	
	34-36L/42RL	35 7/32 x 18 7/32		9022771	9023089	9022420	9022330	9047527	9072248	9127293	
	34-310L (9/2017 - Present)	35 7/32 x 19 23/32		9168206	9168165	9168117	9168106	9168042	9168063	9168028	
	34-310L/46RL/410R (5/2010 - 8/2017)	35 7/32 x 20 7/32		9022730	9022992	9022529	9022289	9047486	9072207	9127274	
	34-310U (9/2017 - Present)	35 7/32 x 20 23/32		9168406	9168378	9168344	9168334	9168287	9168304	9168277	
	34-42L/52RL	35 7/32 x 22 7/32		9022731	9022993	9022530	9022290	9047487	9072208	9127275	
	34-46L/56RCL (4/2017 - Present)	35 7/32 x 23 23/32		9152962	9152961	9152960	9152959	9152957	9152958	9152956	
	34-46L/56RL/510RL (5/2010 - 3/2017)	35 7/32 x 24 7/32		9022732	9022994	9022531	9022291	9047488	9072209	9127276	
	34-46U (4/2017 - Present)	35 7/32 x 24 23/32		9164749	9164753	9164757	9164761	9164769	9164765	9164773	
	34-410L/62RL	35 7/32 x 26 7/32		9022772	9023090	9022421	9022331	9047528	9072249	9127294	
	34-52L	35 7/32 x 28 7/32		9022733	9022995	9022532	9022292	9047489	9072210	9127277	
	34-310CL	35 7/32 x 28 7/32			9022911	9023203	9022620	9022381	9047567	9072288	9127310
	34-42CL	35 7/32 x 26 7/32			9022912	9023204	9022621	9022382	9047568	9072289	9127311
	34-46CL	35 7/32 x 28 7/32	9022913		9023205	9022622	9022383	9047569	9072290	9127312	
	34-56EL	35 7/32 x 30 7/32	9022668		9023167	9022645	9022361	9047550	9072271	9127302	
	34-510L/410CL	35 7/32 x 32 7/32	9022785		9023107	9022438	9022344	9047541	9072262	9127298	
	34-62L/52CL	35 7/32 x 34 7/32	9022735		9022997	9022534	9022294	9047491	9072212	9127279	
	34-56CL (4/2017 - Present)	35 7/32 x 35 23/32	9152979		9152977	9152975	9152974	9152972	9152973	9152971	
	34-56CL (5/2010 - 3/2017)	35 7/32 x 36 7/32	9022734		9022996	9022533	9022293	9047490	9072211	9127278	

# 400 Series Tilt-Wash (TW) Windows (1992 to Present)

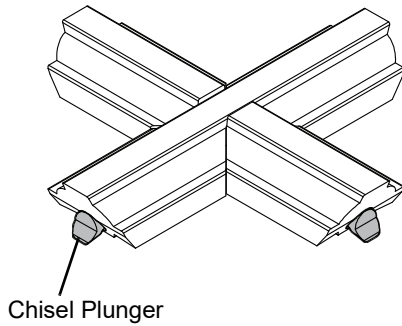
Stormwatch™ Protection (Coastal Product)

## Grilles - Colonial

### Interior Grille with Chisel Plungers - Colonial / 3/4" Wood / Natural Interior (5/2010 - Present)

**Note:**

Can be used for upper and lower grilles on Stormwatch units. See iQ+ for additional detail.



- Grille Size  
 U-Upper  
 CU-Cottage Upper  
 RU-Reverse Upper  
 L-Lower  
 CL-Cottage Lower  
 RL-Reverse Lower  
 EL-Even Lower  
 C-Cottage

### Interior Grilles - 3/4" Wood with Chisel Plungers

Unit No.	Dimensions (w x h)	Lite Pattern	Color/Species							
			Exterior							
			White	Terra-tone®	Sand-tone	Forest Green	Canvas	Dark Bronze	Black	
			Maple Interior							
<b>38</b>	38-210L	39 7/32 × 14 7/32		9022736	9022998	9022535	9022295	9047492	9072213	9127280
	38-32L/310RL	39 7/32 × 16 7/32		9022737	9022999	9022536	9022296	9047493	9072214	9127281
	38-36L/42RL	39 7/32 × 18 7/32		9022773	9023091	9022422	9022332	9047529	9072250	9127295
	38-310L (9/2017 - Present)	39 7/32 × 19 23/32		9168207	9168166	9168118	9168107	9168043	9168064	9168029
	38-310L/46RL/410R (5/2010 - 8/2017)	39 7/32 × 20 7/32		9022738	9023000	9022537	9022297	9047494	9072215	9127282
	38-310U (9/2017 - Present)	39 7/32 × 20 23/32		9168407	9168379	9168345	9168335	9168288	9168305	9168278
	38-42L/52RL	39 7/32 × 22 7/32		9022739	9023001	9022538	9022298	9047495	9072216	9127283
	38-46L/56RCL (4/2017 - Present)	39 7/32 × 23 23/32		9153009	9153007	9153005	9153004	9153002	9153003	9153001
	38-46L/56RL/510RL (5/2010 - 3/2017)	39 7/32 × 24 7/32		9022740	9023002	9022539	9022299	9047496	9072217	9127284
	38-46U (4/2017 - Present)	39 7/32 × 24 23/32		9164750	9164754	9164758	9164762	9164770	9164766	9164774
	38-410L/62RL	39 7/32 × 26 7/32	9022774	9023092	9022423	9022333	9047530	9072251	9127296	
	38-52L	39 7/32 × 28 7/32	9022741	9023003	9022540	9022300	9047497	9072218	9127285	
	38-310CL	39 7/32 × 24 7/32	9022914	9023206	9022623	9022384	9047570	9072291	9127313	
	38-42CL	39 7/32 × 26 7/32	9022915	9023207	9022624	9022385	9047571	9072292	9127314	
	38-46CL	39 7/32 × 28 7/32	9022916	9023208	9022625	9022386	9047572	9072293	9127315	
	38-56EL	39 7/32 × 30 7/32	9022669	9023168	9022646	9022362	9047551	9072272	9127303	
	38-510L/410CL	39 7/32 × 32 7/32	9022786	9023108	9022439	9022345	9047542	9072263	9127299	
	38-62L/52CL	39 7/32 × 34 7/32	9022743	9023005	9022542	9022302	9047499	9072220	9127287	
	38-56CL (4/2017 - Present)	39 7/32 × 35 23/32	9153029	9153027	9153025	9153024	9153022	9153023	9153021	
	38-56CL (5/2010 - 3/2017)	39 7/32 × 36 7/32	9022742	9023004	9022541	9022301	9047498	9072219	9127286	

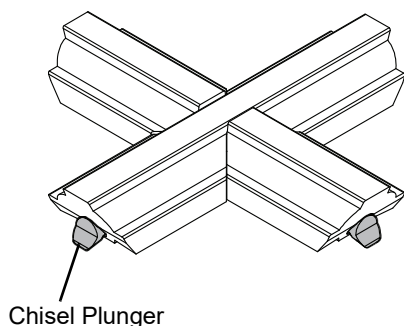
## Grilles - Colonial

### Upper / Lower / Wood Prefinished Interior w/chisel plungers (5/2010 - Present)

**Note:**  
See [Accessory Guide 9033637](#).

### Interior Grille with Chisel Plungers - Colonial / 3/4" Wood Prefinished Interior (5/2010 - Present)

**Note:**  
Can be used for upper and lower grilles on Stormwatch units. See iQ+ for additional detail.



- Grille Size  
 U-Upper  
 CU-Cottage Upper  
 RU-Reverse Upper  
 L-Lower  
 CL-Cottage Lower  
 RL-Reverse Lower  
 EL-Even Lower  
 C-Cottage

Use Chart For		
Width	Upper	Lower
18		X
20	X	X
24	X	X
26	X	X
28	X	X
210	X	X
30		X
34		X
38		X

### Interior Grilles - 3/4" Wood with Chisel Plungers

Unit No.	Dimensions (w x h)	Lite Pattern	Color/Finish							
			Exterior							
			White	Terra-tone®	Sand-tone	Forest Green	Canvas	Dark Bronze	Black	
Interior										
White	Terra-tone®	Sand-tone	Forest Green	Canvas	Dark Bronze	Black				
<b>18</b>	18-210L	15 7/32 x 14 7/32	+	9022797	9023006	9022543	OBD	OBD	OBD	OBD
	18-32L/310RL	15 7/32 x 16 7/32		9022798	9023007	9022544	OBD	OBD	OBD	OBD
	18-36L/42RL	15 7/32 x 18 7/32		9022853	9023109	9022440	OBD	OBD	OBD	OBD
	18-310L (9/2017 - Present)	15 7/32 x 19 23/32		9168249	9168210	9168153	OBD	OBD	OBD	OBD
	18-310L/46RL/410RL (5/2010 - 8/2017)	15 7/32 x 20 7/32		9022799	9023008	9022545	OBD	OBD	OBD	OBD
	18-310U (9/2017 - Present)	15 7/32 x 20 23/32		9168455	9168437	9168401	OBD	OBD	OBD	OBD
	18-42L/52RL	15 7/32 x 22 7/32		9022800	9023009	9022546	OBD	OBD	OBD	OBD
	18-46L/56RCL (4/2017 - Present)	15 7/32 x 23 23/32		9152674	9152672	9152670	OBD	OBD	OBD	OBD
	18-46L/56RL/510RL (5/2010 - 3/2017)	15 7/32 x 24 7/32		9022801	9023010	9022547	OBD	OBD	OBD	OBD
	18-46U (4/2017 - Present)	15 7/32 x 24 23/32		9164735	9164739	9164743	OBD	OBD	OBD	OBD
	18-410L/62RL	15 7/32 x 26 7/32	9022854	9023110	9022441	OBD	OBD	OBD	OBD	
	18-52L	15 7/32 x 28 7/32	9022802	9023011	9022548	OBD	OBD	OBD	OBD	
	18-310CL	15 7/32 x 24 7/32	+	9022923	OBD	OBD	OBD	OBD	OBD	OBD
	18-42CL	15 7/32 x 26 7/32		9022924	OBD	OBD	OBD	OBD	OBD	OBD
	18-46CL	15 7/32 x 28 7/32		9022925	OBD	OBD	OBD	OBD	OBD	OBD
	18-56EL	15 7/32 x 30 7/32		9022680	9023012	9022549	OBD	OBD	OBD	OBD
	18-510L/410CL	15 7/32 x 32 7/32		9022855	9023111	9022442	OBD	OBD	OBD	OBD
	18-62L/52CL	15 7/32 x 34 7/32		9022804	9023013	9022550	OBD	OBD	OBD	OBD
	18-56CL (4/2017 - Present)	15 7/32 x 35 23/32		9152694	9152692	9152694	OBD	OBD	OBD	OBD
	18-56CL (5/2010 - 3/2017)	15 7/32 x 36 7/32		9022803	9023177	9022633	OBD	OBD	OBD	OBD



# 400 Series Tilt-Wash (TW) Windows (1992 to Present)

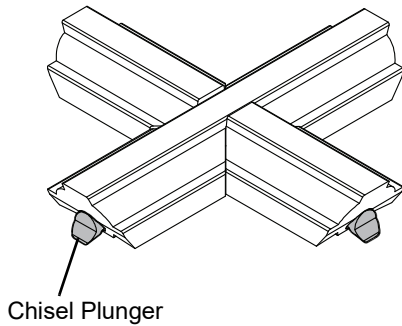
Stormwatch™ Protection (Coastal Product)

## Grilles - Colonial

### Interior Grille with Chisel Plungers - Colonial / 3/4" Wood Prefinished Interior (5/2010 - Present)

**Note:**

Can be used for upper and lower grilles on Stormwatch units. See iQ+ for additional detail.



Grille Size  
 U-Upper  
 CU-Cottage Upper  
 RU-Reverse Upper  
 L-Lower  
 CL-Cottage Lower  
 RL-Reverse Lower  
 EL-Even Lower  
 C-Cottage

Use Chart For		
Width	Upper	Lower
18		x
20	x	x
24	x	x
26	x	x
28	x	x
210	x	x
30		x
34		x
38		x

### Interior Grilles - 3/4" Wood with Chisel Plungers

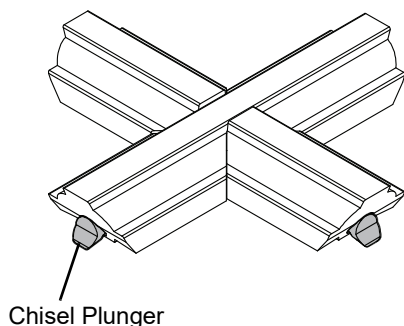
Unit No.	Dimensions (w x h)	Lite Pattern	Color/Finish						
			Exterior						
			White	Terra-tone®	Sand-tone	Forest Green	Canvas	Dark Bronze	Black
Interior									
White	Terra-tone®	Sand-tone	Forest Green	Canvas	Dark Bronze	Black			
20	20-210	19 7/32 x 14 7/32	9022805	9023014	9022551	OBD	OBD	OBD	OBD
	20-32/310CU/310RL	19 7/32 x 16 7/32	9022806	9023015	9022552	OBD	OBD	OBD	OBD
	20-36/42CU/42RL	19 7/32 x 18 7/32	9022856	9023112	9022443	OBD	OBD	OBD	OBD
	20-310L (9/2017 - Present)	19 7/32 x 19 23/32	9168250	9168211	9168154	OBD	OBD	OBD	OBD
	20-310/46CU/410CU/46RL/410R (5/2010 - 8/2017)	19 7/32 x 20 7/32	9022807	9023016	9022553	OBD	OBD	OBD	OBD
	20-310 (9/2017 - Present)	19 7/32 x 20 23/32	9168438	9168410	9168368	OBD	OBD	OBD	OBD
	20-42/52CU/52RL	19 7/32 x 22 7/32	9022808	9023017	9022554	OBD	OBD	OBD	OBD
	20-46L/56RCL (4/2017 - Present)	19 7/32 x 23 23/32	9152744	9152742	9152740	OBD	OBD	OBD	OBD
	20-46/56CU/510CU/56RL/510RL (5/2010 - 3/2017)	19 7/32 x 24 7/32	9022809	9023018	9022555	OBD	OBD	OBD	OBD
	20-46U/56CU (4/2017 - Present)	19 7/32 x 24 23/32	9152734	9152732	9152730	OBD	OBD	OBD	OBD
	20-410/62CU/62RL	19 7/32 x 26 7/32	9022857	9023113	9022444	OBD	OBD	OBD	OBD
	20-52	19 7/32 x 28 7/32	9022810	9023019	9022556	OBD	OBD	OBD	OBD
	20-310CL/310RU	19 7/32 x 24 7/32	9022926	OBD	OBD	OBD	OBD	OBD	OBD
	20-42CL/42RU	19 7/32 x 26 7/32	9022927	OBD	OBD	OBD	OBD	OBD	OBD
	20-46CL/46RU	19 7/32 x 28 7/32	9022928	OBD	OBD	OBD	OBD	OBD	OBD
	20-56E	19 7/32 x 30 7/32	9022792	9023020	9022557	OBD	OBD	OBD	OBD
	20-510/410CL /410RU	19 7/32 x 32 7/32	9022884	9023140	9022471	OBD	OBD	OBD	OBD
	20-62/52CL/52RU	19 7/32 x 34 7/32	9022812	9023021	9022558	OBD	OBD	OBD	OBD
	20-56CL (4/2017 - Present)	19 7/32 x 35 23/32	9163138	9163134	9163130	OBD	OBD	OBD	OBD
	20-56CL (5/2010 - 3/2017)	19 7/32 x 36 7/32	9022811	9023178	9022655	OBD	OBD	OBD	OBD

## Grilles - Colonial

### Interior Grille with Chisel Plungers - Colonial / 3/4" Wood Prefinished Interior (5/2010 - Present)

**Note:**

Can be used for upper and lower grilles on Stormwatch units. See iQ+ for additional detail.



Grille Size  
 U-Upper  
 CU-Cottage Upper  
 RU-Reverse Upper  
 L-Lower  
 CL-Cottage Lower  
 RL-Reverse Lower  
 EL-Even Lower  
 C-Cottage

Use Chart For		
Width	Upper	Lower
18		x
20	x	x
24	x	x
26	x	x
28	x	x
210	x	x
30		x
34		x
38		x

### Interior Grilles - 3/4" Wood with Chisel Plungers

Unit No.	Dimensions (w x h)	Lite Pattern	Color/Finish						
			Exterior						
			White	Terra-tone®	Sand-tone	Forest Green	Canvas	Dark Bronze	Black
Interior									
White	Terra-tone®	Sand-tone	Forest Green	Canvas	Dark Bronze	Black			
<b>24</b>	24-210	23 7/32 x 14 7/32	9022813	9023022	9022559	OBD	OBD	OBD	OBD
	24-32/310CU/310RL	23 7/32 x 16 7/32	9022814	9023023	9022560	OBD	OBD	OBD	OBD
	24-36/42CU/42RL	23 7/32 x 18 7/32	9022858	9023114	9022445	OBD	OBD	OBD	OBD
	24-310L (9/2017 - Present)	23 7/32 x 19 23/32	9168251	9168212	9168155	OBD	OBD	OBD	OBD
	24-310/46CU/410CU/46RL/ 410RL (5/2010 - 8/2017)	23 7/32 x 20 7/32	9022815	9023024	9022561	OBD	OBD	OBD	OBD
	24-310U (9/2017 - Present)	23 7/32 x 20 23/32	9168439	9168411	9168369	OBD	OBD	OBD	OBD
	24-42/52CU/52RL	23 7/32 x 22 7/32	9022816	9023025	9022562	OBD	OBD	OBD	OBD
	24-46L/56RCL (4/2017 - Present)	23 7/32 x 23 23/32	9152814	9152812	9152810	OBD	OBD	OBD	OBD
	24-46/56CU/510CU/56RL/510RL (5/2010 - 3/2017)	23 7/32 x 24 7/32	9022817	9023026	9022563	OBD	OBD	OBD	OBD
	24-46U/56CU (4/2017 - Present)	23 7/32 x 24 23/32	9152804	9152802	9152800	OBD	OBD	OBD	OBD
	24-410/62CU/62RL	23 7/32 x 26 7/32	9022859	9023115	9022446	OBD	OBD	OBD	OBD
	24-52	23 7/32 x 28 7/32	9022818	9023027	9022564	OBD	OBD	OBD	OBD
	24-310CL/310RU	23 7/32 x 24 7/32	9022929	OBD	OBD	OBD	OBD	OBD	OBD
	24-42CL/42RU	23 7/32 x 26 7/32	9022930	OBD	OBD	OBD	OBD	OBD	OBD
	24-46CL/46RU	23 7/32 x 28 7/32	9022931	OBD	OBD	OBD	OBD	OBD	OBD
	24-56E	23 7/32 x 30 7/32	9022793	9023149	9022480	OBD	OBD	OBD	OBD
	24-510/410CL/410RU	23 7/32 x 32 7/32	9022885	9023141	9022472	OBD	OBD	OBD	OBD
	24-62/52CL/52RU	23 7/32 x 34 7/32	9022820	9023029	9022566	OBD	OBD	OBD	OBD
	24-56CL (4/2017 - Present)	23 7/32 x 35 23/32	9163178	9163176	9163174	OBD	OBD	OBD	OBD
	24-56CL (5/2010 - 3/2017)	23 7/32 x 36 7/32	9022819	9023028	9022565	OBD	OBD	OBD	OBD

# 400 Series Tilt-Wash (TW) Windows (1992 to Present)

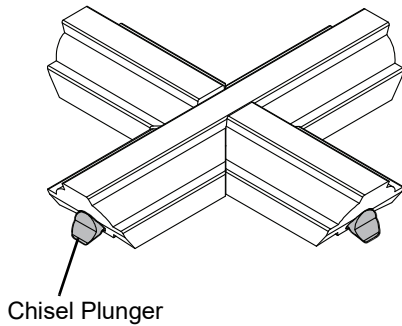
Stormwatch™ Protection (Coastal Product)

## Grilles - Colonial

### Interior Grille with Chisel Plungers - Colonial / 3/4" Wood Prefinished Interior (5/2010 - Present)

**Note:**

Can be used for upper and lower grilles on Stormwatch units. See iQ+ for additional detail.



Grille Size  
 U-Upper  
 CU-Cottage Upper  
 RU-Reverse Upper  
 L-Lower  
 CL-Cottage Lower  
 RL-Reverse Lower  
 EL-Even Lower  
 C-Cottage

Use Chart For		
Width	Upper	Lower
18		x
20	x	x
24	x	x
26	x	x
28	x	x
210	x	x
30		x
34		x
38		x

### Interior Grilles - 3/4" Wood with Chisel Plungers

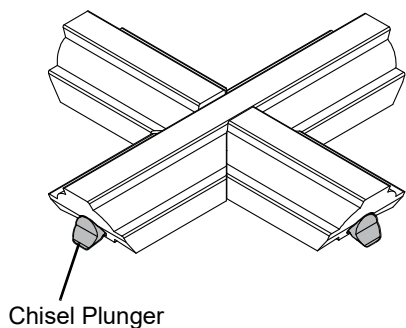
Unit No.	Dimensions (w x h)	Lite Pattern	Color/Finish						
			Exterior						
			White	Terra-tone®	Sand-tone	Forest Green	Canvas	Dark Bronze	Black
Interior									
White	Terra-tone®	Sand-tone	Forest Green	Canvas	Dark Bronze	Black			
26	26-210	25 7/32 x 14 7/32	9022860	9023116	9022447	OBD	OBD	OBD	OBD
	26-32/310CU/310RL	25 7/32 x 16 7/32	9022861	9023117	9022448	OBD	OBD	OBD	OBD
	26-36/42CU/42RL	25 7/32 x 18 7/32	9022862	9023118	9022449	OBD	OBD	OBD	OBD
	26-310L (9/2017 - Present)	25 7/32 x 19 23/32	9168256	9168217	9168151	OBD	OBD	OBD	OBD
	26-310/46CU/410CU/46RL/410R (5/2010 - 8/2017)	25 7/32 x 20 7/32	9022863	9023119	9022450	OBD	OBD	OBD	OBD
	26-310U (9/2017 - Present)	25 7/32 x 20 7/32	9168444	9168416	9168366	OBD	OBD	OBD	OBD
	26-42/52CU/52RL	25 7/32 x 22 7/32	9022864	9023120	9022451	OBD	OBD	OBD	OBD
	26-46L/56RCL (4/2017 - Present)	25 7/32 x 23 23/32	9152844	9152842	9152840	OBD	OBD	OBD	OBD
	26-46/56CU/510CU/56RL/510RL (5/2010 - 3/2017)	25 7/32 x 24 7/32	9022865	9023121	9022452	OBD	OBD	OBD	OBD
	26-46U/56CU (4/2017 - Present)	25 7/32 x 24 23/32	9152834	9152832	9152830	OBD	OBD	OBD	OBD
	26-410/62CU/62RL	25 7/32 x 26 7/32	9022866	9023122	9022453	OBD	OBD	OBD	OBD
	26-52	25 7/32 x 28 7/32	9022867	9023123	9022454	OBD	OBD	OBD	OBD
	26-310CL/310RU	25 7/32 x 24 7/32	9022944	OBD	OBD	OBD	OBD	OBD	OBD
	26-42CL/42RU	25 7/32 x 26 7/32	9022945	OBD	OBD	OBD	OBD	OBD	OBD
	26-46CL/46RU	25 7/32 x 28 7/32	9022946	OBD	OBD	OBD	OBD	OBD	OBD
	26-56E	25 7/32 x 30 7/32	9022794	9023142	9022473	OBD	OBD	OBD	OBD
	26-510/410CL/410RU	25 7/32 x 32 7/32	9022887	9023143	9022474	OBD	OBD	OBD	OBD
	26-62/52CL/52RU	25 7/32 x 34 7/32	9022888	9023144	9022475	OBD	OBD	OBD	OBD
	26-56CL (4/2017 - Present)	25 7/32 x 35 23/32	9163198	9163196	9163194	OBD	OBD	OBD	OBD
	26-56CL (5/2010 - 3/2017)	25 7/32 x 36 7/32	9022886	9023151	9022482	OBD	OBD	OBD	OBD

## Grilles - Colonial

### Interior Grille with Chisel Plungers - Colonial / 3/4" Wood Prefinished Interior (5/2010 - Present)

**Note:**

Can be used for upper and lower grilles on Stormwatch units. See iQ+ for additional detail.



Grille Size  
 U-Upper  
 CU-Cottage Upper  
 RU-Reverse Upper  
 L-Lower  
 CL-Cottage Lower  
 RL-Reverse Lower  
 EL-Even Lower  
 C-Cottage

Use Chart For		
Width	Upper	Lower
18		x
20	x	x
24	x	x
26	x	x
28	x	x
210	x	x
30		x
34		x
38		x

### Interior Grilles - 3/4" Wood with Chisel Plungers

Unit No.	Dimensions (w x h)	Lite Pattern	Color/Finish						
			Exterior						
			White	Terra-tone®	Sand-tone	Forest Green	Canvas	Dark Bronze	Black
Interior									
White	Terra-tone®	Sand-tone	Forest Green	Canvas	Dark Bronze	Black			
<b>28</b>	28-210	27 7/32 x 14 7/32	9022821	9023030	9022567	OBD	OBD	OBD	OBD
	28-32/310CU/310RL	27 7/32 x 16 7/32	9022822	9023031	9022568	OBD	OBD	OBD	OBD
	28-36/42CU/42RL	27 7/32 x 18 7/32	9022868	9023124	9022455	OBD	OBD	OBD	OBD
	28-310L (9/2017 - Present)	27 7/32 x 19 23/32	9168252	9168213	9168156	OBD	OBD	OBD	OBD
	28-310/46CU/410CU/46RL/ 410RL (5/2010 - 8/2017)	27 7/32 x 20 7/32	9022823	9023032	9022569	OBD	OBD	OBD	OBD
	28-310U (9/2017 - Present)	27 7/32 x 20 23/32	9168440	9168412	9168370	OBD	OBD	OBD	OBD
	28-42/52CU/52RL	27 7/32 x 22 7/32	9022824	9023033	9022570	OBD	OBD	OBD	OBD
	28-46L/56RCL (4/2017 - Present)	27 7/32 x 23 23/32	9152874	9152872	9152870	OBD	OBD	OBD	OBD
	28-46/56CU/510CU/56RL/510RL (5/2010 - 3/2017)	27 7/32 x 24 7/32	9022825	9023034	9022571	OBD	OBD	OBD	OBD
	28-46U/56CU (4/2017 - Present)	27 7/32 x 24 23/32	9152864	9152862	9152860	OBD	OBD	OBD	OBD
	28-410/62CU/62RL	27 7/32 x 26 7/32	9022869	9023125	9022456	OBD	OBD	OBD	OBD
	28-52	27 7/32 x 28 7/32	9022826	9023035	9022572	OBD	OBD	OBD	OBD
	28-310CL/310RU	27 7/32 x 24 7/32	9022932	OBD	OBD	OBD	OBD	OBD	OBD
	28-42CL/42RU	27 7/32 x 26 7/32	9022933	OBD	OBD	OBD	OBD	OBD	OBD
	28-46CL/46RU	27 7/32 x 28 7/32	9022934	OBD	OBD	OBD	OBD	OBD	OBD
	28-56E	27 7/32 x 30 7/32	9022795	9023152	9022483	OBD	OBD	OBD	OBD
	28-510/410CL/410RU	27 7/32 x 32 7/32	9022889	9023145	9022476	OBD	OBD	OBD	OBD
	28-62/52CL/52RU	27 7/32 x 34 7/32	9022828	9023037	9022574	OBD	OBD	OBD	OBD
	28-56CL (4/2017 - Present)	27 7/32 x 35 23/32	9163218	9163216	9163214	OBD	OBD	OBD	OBD
	28-56CL (5/2010 - 3/2017)	27 7/32 x 36 7/32	9022827	9023036	9022573	OBD	OBD	OBD	OBD

# 400 Series Tilt-Wash (TW) Windows (1992 to Present)

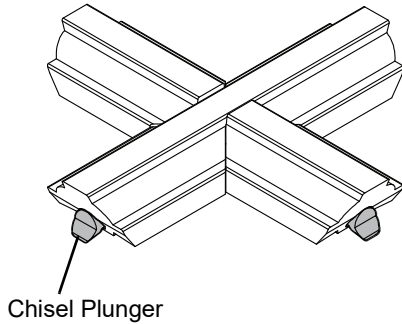
Stormwatch™ Protection (Coastal Product)

## Grilles - Colonial

### Interior Grille with Chisel Plungers - Colonial / 3/4" Wood Prefinished Interior (5/2010 - Present)

**Note:**

Can be used for upper and lower grilles on Stormwatch units. See iQ+ for additional detail.



Grille Size  
 U-Upper  
 CU-Cottage Upper  
 RU-Reverse Upper  
 L-Lower  
 CL-Cottage Lower  
 RL-Reverse Lower  
 EL-Even Lower  
 C-Cottage

Use Chart For		
Width	Upper	Lower
18		x
20	x	x
24	x	x
26	x	x
28	x	x
210	x	x
30		x
34		x
38		x

### Interior Grilles - 3/4" Wood with Chisel Plungers

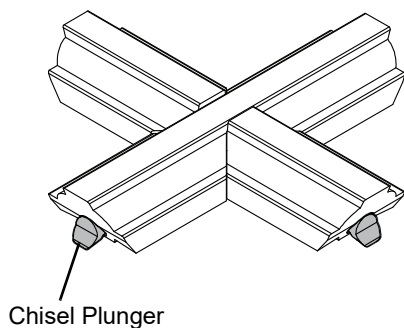
Unit No.	Dimensions (w x h)	Lite Pattern	Color/Finish						
			Exterior						
			White	Terra-tone®	Sand-tone	Forest Green	Canvas	Dark Bronze	Black
Interior									
White	Terra-tone®	Sand-tone	Forest Green	Canvas	Dark Bronze	Black			
<b>210</b>	210-210	29 1/32 x 14 7/32	9022870	9023126	9022457	OBD	OBD	OBD	OBD
	210-32/310CU/310RL	29 1/32 x 16 7/32	9022871	9023127	9022458	OBD	OBD	OBD	OBD
	210-36/42CU/42RL	29 1/32 x 18 7/32	9022872	9023128	9022459	OBD	OBD	OBD	OBD
	210-310L (9/2017 - Present)	29 7/32 x 19 23/32	9168257	9168218	9168152	OBD	OBD	OBD	OBD
	210-310/46CU/410CU/46RL/ 410R (5/2010 - 8/2017)	29 7/32 x 20 7/32	9022873	9023129	9022460	OBD	OBD	OBD	OBD
	210-310U (9/2017 - Present)	29 7/32 x 20 23/32	9168445	9168417	9168367	OBD	OBD	OBD	OBD
	210-42/52CU/52RL	29 7/32 x 22 7/32	9022874	9023130	9022461	OBD	OBD	OBD	OBD
	210-46L/56RCL (4/2017 - Present)	29 7/32 x 23 23/32	9152774	9152772	9152770	OBD	OBD	OBD	OBD
	210-46/56CU/510CU/56RL/ 510RL (5/2010 - 3/2017)	29 7/32 x 24 7/32	9022875	9023131	9022462	OBD	OBD	OBD	OBD
	210-46U/56CU (4/2017 - Present)	29 7/32 x 24 23/32	9152764	9152762	9152760	OBD	OBD	OBD	OBD
	210-410/62CU/62RL	29 7/32 x 26 7/32	9022876	9023132	9022463	OBD	OBD	OBD	OBD
	210-52	29 7/32 x 28 7/32	9022877	9023133	9022464	OBD	OBD	OBD	OBD
	210-310CL/310RU	29 7/32 x 24 7/32	9022947	OBD	OBD	OBD	OBD	OBD	OBD
	210-42CL/42RU	29 7/32 x 26 7/32	9022948	OBD	OBD	OBD	OBD	OBD	OBD
	210-46CL/46RU	29 7/32 x 28 7/32	9022949	OBD	OBD	OBD	OBD	OBD	OBD
	210-56E	29 7/32 x 30 7/32	9022796	9023146	9022477	OBD	OBD	OBD	OBD
	210-510/410CL/410RU	29 7/32 x 32 7/32	9022891	9023147	9022478	OBD	OBD	OBD	OBD
	210-62/52CL/52RU	29 7/32 x 34 7/32	9022892	9023148	9022479	OBD	OBD	OBD	OBD
	210-56CL (4/2017 - Present)	29 7/32 x 35 23/32	9163158	9163156	9163154	OBD	OBD	OBD	OBD
	210-56CL (5/2010 - 3/2017)	29 7/32 x 36 7/32	9022890	9023153	9022484	OBD	OBD	OBD	OBD

## Grilles - Colonial

### Interior Grille with Chisel Plungers - Colonial / 3/4" Wood Prefinished Interior (5/2010 - Present)

**Note:**

Can be used for upper and lower grilles on Stormwatch units. See iQ+ for additional detail.



Grille Size  
 U-Upper  
 CU-Cottage Upper  
 RU-Reverse Upper  
 L-Lower  
 CL-Cottage Lower  
 RL-Reverse Lower  
 EL-Even Lower  
 C-Cottage

Use Chart For		
Width	Upper	Lower
18		x
20	x	x
24	x	x
26	x	x
28	x	x
210	x	x
30		x
34		x
38		x

Interior Grilles - 3/4" Wood with Chisel Plungers

Unit No.	Dimensions (w x h)	Lite Pattern	Color/Finish						
			Exterior						
			White	Terra-tone®	Sand-tone	Forest Green	Canvas	Dark Bronze	Black
Interior									
White	Terra-tone®	Sand-tone	Forest Green	Canvas	Dark Bronze	Black			
<b>30</b>	30-210L	31 7/32 x 14 7/32	9022829	9023038	9022575	OBD	OBD	OBD	OBD
	30-32L/310RL	31 7/32 x 16 7/32	9022830	9023039	9022576	OBD	OBD	OBD	OBD
	30-36L/42RL	31 7/32 x 18 7/32	9022878	9023134	9022465	OBD	OBD	OBD	OBD
	30-310L (9/2017 - Present)	31 7/32 x 19 23/32	9168253	9168214	9168157	OBD	OBD	OBD	OBD
	30-310L/46RL/410RL (5/2010 - 8/2017)	31 7/32 x 20 7/32	9022831	9023040	9022577	OBD	OBD	OBD	OBD
	30-310U (9/2017 - Present)	31 7/32 x 20 23/32	9168441	9168413	9168371	OBD	OBD	OBD	OBD
	30-42L/52RL	31 7/32 x 22 7/32	9022832	9023041	9022578	OBD	OBD	OBD	OBD
	30-46L/56RCL (4/2017 - Present)	31 7/32 x 23 23/32	9152904	9152902	9152900	OBD	OBD	OBD	OBD
	30-46L/56RL/510RL (5/2010 - 3/2017)	31 7/32 x 24 7/32	9022833	9023042	9022579	OBD	OBD	OBD	OBD
	30-46U (4/2017 - Present)	31 7/32 x 24 23/32	9164736	9164740	9164744	OBD	OBD	OBD	OBD
	30-410L/62RL	31 7/32 x 26 7/32	9022879	9023135	9022466	OBD	OBD	OBD	OBD
	30-52L	31 7/32 x 28 7/32	9022834	9023043	9022580	OBD	OBD	OBD	OBD
	30-310CL	31 7/32 x 24 7/32	9022935	OBD	OBD	OBD	OBD	OBD	OBD
	30-42CL	31 7/32 x 26 7/32	9022936	OBD	OBD	OBD	OBD	OBD	OBD
	30-46CL	31 7/32 x 28 7/32	9022937	OBD	OBD	OBD	OBD	OBD	OBD
	30-56EL	31 7/32 x 30 7/32	9022682	9023179	9022656	OBD	OBD	OBD	OBD
	30-510L/410CL	31 7/32 x 32 7/32	9022893	9023150	9022481	OBD	OBD	OBD	OBD
	30-62L/52CL	31 7/32 x 34 7/32	9022836	9023045	9022582	OBD	OBD	OBD	OBD
	30-56CL (4/2017 - Present)	31 7/32 x 35 23/32	9152922	9152920	9152918	OBD	OBD	OBD	OBD
	30-56CL (5/2010 - 3/2017)	31 7/32 x 36 7/32	9022835	9023044	9022581	OBD	OBD	OBD	OBD

# 400 Series Tilt-Wash (TW) Windows (1992 to Present)

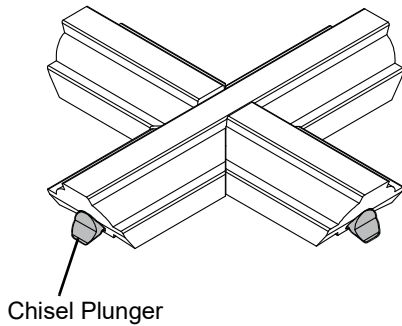
Stormwatch™ Protection (Coastal Product)

## Grilles - Colonial

### Interior Grille with Chisel Plungers - Colonial / 3/4" Wood Prefinished Interior (5/2010 - Present)

**Note:**

Can be used for upper and lower grilles on Stormwatch units. See iQ+ for additional detail.



Chisel Plunger



Grille Size  
 U-Upper  
 CU-Cottage Upper  
 RU-Reverse Upper  
 L-Lower  
 CL-Cottage Lower  
 RL-Reverse Lower  
 EL-Even Lower  
 C-Cottage

Use Chart For		
Width	Upper	Lower
18		x
20	x	x
24	x	x
26	x	x
28	x	x
210	x	x
30		x
34		x
38		x

### Interior Grilles - 3/4" Wood with Chisel Plungers

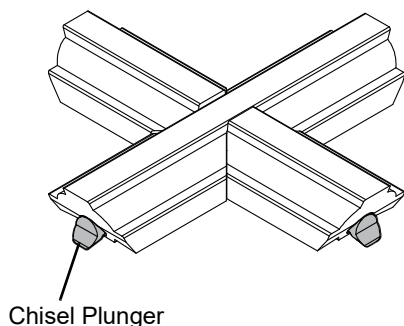
Unit No.	Dimensions (w x h)	Lite Pattern	Color/Finish						
			Exterior						
			White	Terra-tone®	Sand-tone	Forest Green	Canvas	Dark Bronze	Black
Interior									
White	Terra-tone®	Sand-tone	Forest Green	Canvas	Dark Bronze	Black			
<b>34</b>	34-210L	35 7/32 x 14 7/32	9022837	9023046	9022583	OBD	OBD	OBD	OBD
	34-32L/310RL	35 7/32 x 16 7/32	9022838	9023047	9022584	OBD	OBD	OBD	OBD
	34-36L/42RL	35 7/32 x 18 7/32	9022880	9023136	9022467	OBD	OBD	OBD	OBD
	34-310L (9/2017 - Present)	35 7/32 x 19 23/32	9168254	9168215	9168158	OBD	OBD	OBD	OBD
	34-310L/46RL/410RL (5/2010 - 8/2017)	35 7/32 x 20 7/32	9022839	9023048	9022585	OBD	OBD	OBD	OBD
	34-310U (9/2017 - Present)	35 7/32 x 20 23/32	9168442	9168414	9168372	OBD	OBD	OBD	OBD
	34-42L/52RL	35 7/32 x 22 7/32	9022840	9023049	9022586	OBD	OBD	OBD	OBD
	34-46L/56RCL (4/2017 - Present)	35 7/32 x 23 23/32	9152955	9152953	9152951	OBD	OBD	OBD	OBD
	34-46L/56RL/510RL (5/2010 - 3/2017)	35 7/32 x 24 7/32	9022841	9023050	9022587	OBD	OBD	OBD	OBD
	34-46U	35 7/32 x 24 23/32	9164737	9164741	9164745	OBD	OBD	OBD	OBD
	34-410L/62RL	35 7/32 x 26 7/32	9022881	9023137	9022468	OBD	OBD	OBD	OBD
	34-52L	35 7/32 x 28 7/32	9022842	9023051	9022588	OBD	OBD	OBD	OBD
	34-310CL	35 7/32 x 28 7/32	9022938	OBD	OBD	OBD	OBD	OBD	OBD
	34-42CL	35 7/32 x 26 7/32	9022939	OBD	OBD	OBD	OBD	OBD	OBD
	34-46CL	35 7/32 x 28 7/32	9022940	OBD	OBD	OBD	OBD	OBD	OBD
	34-56EL	35 7/32 x 30 7/32	9022683	9023180	9022657	OBD	OBD	OBD	OBD
	34-510L/410CL	35 7/32 x 32 7/32	9022894	9023154	9022485	OBD	OBD	OBD	OBD
	34-62L/52CL	35 7/32 x 34 7/32	9022844	9023053	9022590	OBD	OBD	OBD	OBD
	34-56CL (4/2017 - Present)	35 7/32 x 35 23/32	9152980	9152978	9152976	OBD	OBD	OBD	OBD
	34-56CL (5/2010 - 3/2017)	35 7/32 x 36 7/32	9022843	9023052	9022589	OBD	OBD	OBD	OBD

## Grilles - Colonial

### Interior Grille with Chisel Plungers - Colonial / 3/4" Wood Prefinished Interior (5/2010 - Present)

**Note:**

Can be used for upper and lower grilles on Stormwatch units. See iQ+ for additional detail.



Grille Size  
 U-Upper  
 CU-Cottage Upper  
 RU-Reverse Upper  
 L-Lower  
 CL-Cottage Lower  
 RL-Reverse Lower  
 EL-Even Lower  
 C-Cottage

Use Chart For		
Width	Upper	Lower
18		x
20	x	x
24	x	x
26	x	x
28	x	x
210	x	x
30		x
34		x
38		x

### Interior Grilles - 3/4" Wood with Chisel Plungers

Unit No.	Dimensions (w x h)	Lite Pattern	Color/Finish						
			Exterior						
			White	Terra-tone®	Sand-tone	Forest Green	Canvas	Dark Bronze	Black
Interior									
White	Terra-tone®	Sand-tone	Forest Green	Canvas	Dark Bronze	Black			
<b>38</b>	38-210L	39 7/32 x 14 7/32	9022845	9023054	9022591	OBD	OBD	OBD	OBD
	38-32L/310RL	39 7/32 x 16 7/32	9022846	9023055	9022592	OBD	OBD	OBD	OBD
	38-36L/42RL	39 7/32 x 18 7/32	9022882	9023138	9022469	OBD	OBD	OBD	OBD
	38-310L (9/2017 - Present)	39 7/32 x 19 23/32	9168255	9168216	9168159	OBD	OBD	OBD	OBD
	38-310L/46RL/410RL (5/2010 - 8/2017)	39 7/32 x 20 7/32	9022847	9023056	9022593	OBD	OBD	OBD	OBD
	38-310U (9/2017 - Present)	39 7/32 x 20 23/32	9168443	9168415	9168373	OBD	OBD	OBD	OBD
	38-42L/52RL	39 7/32 x 22 7/32	9022848	9023057	9022594	OBD	OBD	OBD	OBD
	38-46L/56RCL (4/2017 - Present)	39 7/32 x 23 23/32	9153010	9153008	9153006	OBD	OBD	OBD	OBD
	38-46L/56RL/510RL (5/2010 - 3/2017)	39 7/32 x 24 7/32	9022849	9023058	9022595	OBD	OBD	OBD	OBD
	38-46U (4/2017 - Present)	39 7/32 x 24 23/32	9164738	9164742	9164746	OBD	OBD	OBD	OBD
	38-410L/62RL	39 7/32 x 26 7/32	9022883	9023139	9022470	OBD	OBD	OBD	OBD
	38-52L	39 7/32 x 28 7/32	9022850	9023059	9022596	OBD	OBD	OBD	OBD
	38-310CL	39 7/32 x 24 7/32	9022941	OBD	OBD	OBD	OBD	OBD	OBD
	38-42CL	39 7/32 x 26 7/32	9022942	OBD	OBD	OBD	OBD	OBD	OBD
	38-46CL	39 7/32 x 28 7/32	9022943	OBD	OBD	OBD	OBD	OBD	OBD
	38-56EL	39 7/32 x 30 7/32	9022684	9023181	9022643	OBD	OBD	OBD	OBD
	38-510L/410CL	39 7/32 x 32 7/32	9022895	9023155	9022486	OBD	OBD	OBD	OBD
	38-62L/52CL	39 7/32 x 34 7/32	9022852	9023061	9022598	OBD	OBD	OBD	OBD
	38-56CL (4/2017 - Present)	39 7/32 x 35 23/32	9153030	9153028	9153026	OBD	OBD	OBD	OBD
	38-56CL (5/2010 - 3/2017)	39 7/32 x 36 7/32	9022851	9023060	9022597	OBD	OBD	OBD	OBD



# 400 Series Tilt-Wash (TW) Windows (1992 to Present)

Stormwatch™ Protection (Coastal Product)

## Grilles - Colonial

### Upper / Lower / Wood Interior w/clips (2003 - 5/2010)

#### Interior Grille with Clips - Colonial / 3/4" Wood / Natural Wood Interior (2003 - 5/2010)

**Note:**

These grilles are used with units that do not have grommets for plungers. Use on Stormwatch units. See iQ+ for additional detail.

Unit No.	Dimensions (w x h)	Lite Pattern	Color/Species					
			Exterior					
			White	Terratone®	Sandtone	Forest Green		
			Maple Interior					
18	TW18210	15 7/32 × 14 7/32	+	1625201	2709643	1105880	0314401	
	TW1832	15 7/32 × 16 7/32		1625202	2709644	1105881	0314402	
	TW1836	15 7/32 × 19 7/32		1625283	2710903	1105703	0314483	
	TW18310	15 7/32 × 20 7/32		1625203	2709645	1105882	0314403	
	TW1842	15 7/32 × 22 7/32		1625204	2709646	1105883	0314404	
	TW1846	15 7/32 × 24 7/32		1625205	2709647	1105884	0314405	
	TW18410	15 7/32 × 26 7/32		1625284	2710904	1105704	0314484	
	TW1852	15 7/32 × 28 7/32		1625206	2709648	1105885	0314406	
	TW1856E	15 7/32 × 30 7/32	+	1616109	2711651	1105886	0314609	
	TW1856C	15 7/32 × 36 7/32		1625207	2709649	1106406	0314407	
	TW18510	15 7/32 × 32 7/32		1625285	2710905	1105705	0314485	
	TW1862	15 7/32 × 34 7/32		1625208	2709650	1105887	0314408	
	TW1872	15 7/32 × 40 7/32		1605567	2701511	1101113	0314703	
	TW1876	15 7/32 × 42 7/32		1605568	2701512	1101114	0314704	
20	TW20210	19 7/32 × 14 7/32	+	1625209	2709651	1105888	0314409	
	TW2032	19 7/32 × 16 7/32		1625210	2709652	1105889	0314410	
	TW2036	19 7/32 × 19 7/32		1625286	2710906	1105706	0314486	
	TW20310	19 7/32 × 20 7/32		1625211	2709653	1105890	0314411	
	TW2042	19 7/32 × 22 7/32		1625212	2709654	1105891	0314412	
	TW2046	19 7/32 × 24 7/32		1625213	2709655	1105892	0314413	
	TW20410	19 7/32 × 26 7/32		1625287	2710907	1105707	0314487	
	TW2052	19 7/32 × 28 7/32		1625214	2709656	1105893	0314414	
	TW2056E	19 7/32 × 30 7/32		+	1625392	2711681	1105894	0314542
	TW20510	19 7/32 × 32 7/32			1625315	2710935	1105736	0314515
	TW2062	19 7/32 × 34 7/32			1625216	2709658	1105895	0314416
	TW2056C	19 7/32 × 36 7/32			1625215	2709657	1106794	0314415
	TW2072	19 7/32 × 40 7/32	1605569		2701513	1101115	0314705	
	TW2076	19 7/32 × 42 7/32	1605570		2701514	1101116	0314706	

## Grilles - Colonial

### Interior Grille with Clips - Colonial / 3/4" Wood / Natural Wood Interior (2003 - 5/2010)

**Note:**

These grilles are used with units that do not have grommets for plungers. Use on Stormwatch units. See iQ+ for additional detail.

Unit No.	Dimensions (w x h)	Lite Pattern	Color/Species				
			Exterior				
			White	Terratone®	Sandtone	Forest Green	
			Maple Interior				
24	TW24210	23 7/32 × 14 7/32		1625217	2709659	1105896	0314417
	TW2432	23 7/32 × 16 7/32		1625218	2709660	1105897	0314418
	TW2436	23 7/32 × 19 7/32		1625288	2710908	1105708	0314488
	TW24310	23 7/32 × 20 7/32		1625219	2709661	1105898	0314419
	TW2442	23 7/32 × 22 7/32		1625220	2709662	1105899	0314420
	TW2446	23 7/32 × 24 7/32		1625221	2709663	1105901	0314421
	TW24410	23 7/32 × 26 7/32		1625289	2710909	1105709	0314489
	TW2452	23 7/32 × 28 7/32		1625222	2709664	1105902	0314422
	TW2456E	23 7/32 × 30 7/32		1625393	2710947	1105747	0314543
	TW24510	23 7/32 × 32 7/32		1625316	2710936	1105737	0314516
	TW2462	23 7/32 × 34 7/32		1625224	2709666	1105904	0314424
	TW2456C	23 7/32 × 36 7/32		1625223	2709665	1105903	0314423
	TW2472	23 7/32 × 40 7/32		1605571	2701515	1101117	0314707
	TW2476	23 7/32 × 42 7/32		1605572	2701516	1101118	0314708
26	TW26210	25 7/32 × 14 7/32		1625290	2710910	1105710	0314490
	TW2632	25 7/32 × 16 7/32		1625291	2710911	1105711	0314491
	TW2636	25 7/32 × 19 7/32		1625292	2710912	1105712	0314492
	TW26310	25 7/32 × 20 7/32		1625293	2710913	1105713	0314493
	TW2642	25 7/32 × 22 7/32		1625294	2710914	1105714	0314494
	TW2646	25 7/32 × 24 7/32		1625295	2710915	1105715	0314495
	TW26410	25 7/32 × 26 7/32		1625296	2710916	1105716	0314496
	TW2652	25 7/32 × 28 7/32		1625297	2710917	1105717	0314497
	TW2656E	25 7/32 × 30 7/32		1625394	2710937	1105738	0314544
	TW26510	25 7/32 × 32 7/32		1625318	2710938	1105739	0314518
	TW2662	25 7/32 × 34 7/32		1625319	2710939	1105740	0314519
	TW2656C	25 7/32 × 36 7/32		1625317	2710949	1105749	0314517
	TW2672	25 7/32 × 40 7/32		1605573	2701517	1101119	0314709
	TW2676	25 7/32 × 42 7/32		1605574	2701518	1101120	0314710

# 400 Series Tilt-Wash (TW) Windows (1992 to Present)

Stormwatch™ Protection (Coastal Product)

## Grilles - Colonial

### Interior Grille with Clips - Colonial / 3/4" Wood / Natural Wood Interior (2003 - 5/2010)

**Note:**

These grilles are used with units that do not have grommets for plungers. Use on Stormwatch units. See iQ+ for additional detail.

Unit No.	Dimensions (w x h)	Lite Pattern	Color/Species				
			Exterior				
			White	Terratone®	Sandtone	Forest Green	
			Maple Interior				
28	TW28210	27 7/32 × 14 7/32	+	1625225	2709667	1105905	0314425
	TW2832	27 7/32 × 16 7/32		1625226	2709668	1105906	0314426
	TW2836	27 7/32 × 19 7/32		1625298	2710918	1105718	0314498
	TW28310	27 7/32 × 20 7/32		1625227	2709669	1105907	0314427
	TW2842	27 7/32 × 22 7/32		1625228	2709670	1105908	0314428
	TW2846	27 7/32 × 24 7/32		1625229	2709671	1105909	0314429
	TW28410	27 7/32 × 26 7/32		1625299	2710919	1105719	0314499
	TW2852	27 7/32 × 28 7/32	1625230	2709672	1105910	0314430	
	TW2856E	27 7/32 × 30 7/32	+	1625395	2710950	1105750	0314545
	TW28510	27 7/32 × 32 7/32		1625321	2710941	1105741	0314520
	TW2862	27 7/32 × 34 7/32		1625232	2709674	1105912	0314432
	TW2856C	27 7/32 × 36 7/32		1625231	2709673	1105911	0314431
	TW2872	27 7/32 × 40 7/32		1605575	2701519	1101121	0314711
	TW2876	27 7/32 × 42 7/32		1605576	2701520	1101122	0314712
210	TW210210	29 7/32 × 14 7/32		+	1625301	2710921	1105721
	TW21032	29 7/32 × 16 7/32	1625302		2710922	1105722	0314502
	TW21036	29 7/32 × 19 7/32	1625303		2710923	1105723	0314503
	TW210310	29 7/32 × 20 7/32	1625304		2710924	1105725	0314504
	TW21042	29 7/32 × 22 7/32	1625305		2710925	1105726	0314505
	TW21046	29 7/32 × 24 7/32	1625306		2710926	1105727	0314506
	TW210410	29 7/32 × 26 7/32	1625307		2710927	1105728	0314507
	TW21052	29 7/32 × 28 7/32	1625308	2710928	1105729	0314508	
	TW21056E	29 7/32 × 30 7/32	+	1625396	2710942	1105742	0314546
	TW210510	29 7/32 × 32 7/32		1625323	2710943	1105743	0314522
	TW21062	29 7/32 × 34 7/32		1625324	2710944	1105744	0314523
	TW21056C	29 7/32 × 36 7/32		1625322	2710951	1105751	0314521
	TW21072	29 7/32 × 40 7/32		1605577	2701521	1101123	0314713
	TW21076	29 7/32 × 42 7/32		1605578	2701522	1101124	0314714

## Grilles - Colonial

### Interior Grille with Clips - Colonial / 3/4" Wood / Natural Wood Interior (2003 - 5/2010)

**Note:**

These grilles are used with units that do not have grommets for plungers. Use on Stormwatch units. See iQ+ for additional detail.

Unit No.	Dimensions (w x h)	Lite Pattern	Color/Species				
			Exterior				
			White	Terratone®	Sandtone	Forest Green	
			Maple Interior				
30	TW30210	31 7/32 × 14 7/32		1625233	2709675	1105913	0314433
	TW3032	31 7/32 × 16 7/32		1625234	2709676	1105914	0314434
	TW3036	31 7/32 × 19 7/32		1625309	2710929	1105730	0314509
	TW30310	31 7/32 × 20 7/32		1625235	2709677	1105915	0314435
	TW3042	31 7/32 × 22 7/32		1625236	2709678	1105916	0314436
	TW3046	31 7/32 × 24 7/32		1625237	2709679	1105917	0314437
	TW30410	31 7/32 × 26 7/32		1625310	2710930	1105731	0314510
	TW3052	31 7/32 × 28 7/32		1625238	2709680	1105918	0314438
	TW3056E	31 7/32 × 30 7/32		1616139	2711682	1106819	0314639
	TW30510	31 7/32 × 32 7/32		1625325	2710948	1105748	0314524
	TW3062	31 7/32 × 34 7/32		1625240	2709682	1105920	0314440
	TW3056C	31 7/32 × 36 7/32		1625239	2709681	1105919	0314439
	TW3072	31 7/32 × 40 7/32		1605579	2701523	1101125	0314715
	TW3076	31 7/32 × 42 7/32		1605580	2701524	1101126	0314716
34	TW34210	35 7/32 × 14 7/32		1625241	2709683	1105921	0314441
	TW3432	35 7/32 × 16 7/32		1625242	2709684	1105922	0314442
	TW3436	35 7/32 × 19 7/32		1625311	2710931	1105732	0314511
	TW34310	35 7/32 × 20 7/32		1625243	2709685	1105923	0314443
	TW3442	35 7/32 × 22 7/32		1625244	2709686	1105924	0314444
	TW3446	35 7/32 × 24 7/32		1625245	2709687	1105925	0314445
	TW34410	35 7/32 × 26 7/32		1625312	2710932	1105733	0314512
	TW3452	35 7/32 × 28 7/32		1625246	2709688	1105926	0314446
	TW3456E	35 7/32 × 30 7/32		1616147	2711689	1106827	0314647
	TW34510	35 7/32 × 32 7/32		1625326	2710952	1105752	0314525
	TW3462	35 7/32 × 34 7/32		1625248	2709690	1105928	0314448
	TW3456C	35 7/32 × 36 7/32		1625247	2709689	1105927	0314447
	TW3472	35 7/32 × 40 7/32		1605581	2701525	1101127	0314717
	TW3476	35 7/32 × 42 7/32		1605582	2701526	1101128	0314718

# 400 Series Tilt-Wash (TW) Windows (1992 to Present)


Stormwatch™ Protection (Coastal Product)

## Grilles - Colonial

### Interior Grille with Clips - Colonial / 3/4" Wood / Natural Wood Interior (2003 - 5/2010)

**Note:**

These grilles are used with units that do not have grommets for plungers. Use on Stormwatch units. See iQ+ for additional detail.

Unit No.	Dimensions (w x h)	Lite Pattern	Color/Species				
			Exterior				
			White	Terratone®	Sandtone	Forest Green	
			Maple Interior				
38	TW38210	39 7/32 × 14 7/32		1625249	2709691	1105929	0314449
	TW3832	39 7/32 × 16 7/32		1625250	2709692	1105930	0314450
	TW3836	39 7/32 × 19 7/32		1625313	2710933	1105734	0314513
	TW38310	39 7/32 × 20 7/32		1625251	2709693	1105931	0314451
	TW3842	39 7/32 × 22 7/32		1625252	2709694	1105932	0314452
	TW3846	39 7/32 × 24 7/32		1625253	2709695	1105933	0314453
	TW38410	39 7/32 × 26 7/32		1625314	2710934	1105735	0314514
	TW3852	39 7/32 × 28 7/32		1625254	2709696	1105934	0314454
	TW3856E	39 7/32 × 30 7/32		1616155	2711697	1106835	0314655
	TW38510	39 7/32 × 32 7/32		1625327	2710953	1105753	0314526
	TW3862	39 7/32 × 34 7/32		1625256	2709698	1105936	0314456
	TW3856C	39 7/32 × 36 7/32		1625255	2709697	1105935	0314455
	TW3872	39 7/32 × 40 7/32		1605583	2701527	1101129	0314719
	TW3876	39 7/32 × 42 7/32		1605584	2701528	1101130	0314720

## Grilles - Colonial

### Upper / Lower / Wood Prefinished Interior w/clips (2003 - 2010)

Interior Grille with Clips - Colonial / 3/4" Wood / Prefinished Interior (2003 - 5/2010)							
<b>Note:</b> These grilles are used with units that do not have grommets for plungers. Use on Stormwatch units. See iQ+ for additional detail.							
Unit No.	Dimensions (w x h)	Lite Pattern	Color/Finish				
			Exterior				
			White	Terratone®	Sandtone	Forest Green	
			Interior				
			White	Terratone®	Sandtone	Forest Green	
18	TW18210	15 7/32 x 14 7/32	+	1628401	2709843	1105953	By description
	TW1832	15 7/32 x 16 7/32		1628402	2709844	1105954	By description
	TW1836	15 7/32 x 19 7/32		1629033	2711003	1105803	By description
	TW18310	15 7/32 x 20 7/32		1628403	2709845	1105955	By description
	TW1842	15 7/32 x 22 7/32		1628404	2709846	1105956	By description
	TW1846	15 7/32 x 24 7/32		1628405	2709847	1105957	By description
	TW18410	15 7/32 x 26 7/32		1629034	2711004	1105804	By description
	TW1852	15 7/32 x 28 7/32		1628406	2709848	1105958	By description
	TW1856E	15 7/32 x 30 7/32	+	1616209	2709849	1105959	By description
	TW1856C	15 7/32 x 36 7/32		1628407	2711751	1106506	By description
	TW18510	15 7/32 x 32 7/32		1629035	2711005	1105805	By description
	TW1862	15 7/32 x 34 7/32		1628408	2709850	1105960	By description
	TW1872	15 7/32 x 40 7/32		1605878	2701529	1101258	By description
	TW1876	15 7/32 x 42 7/32		1605879	2701530	1101259	By description
20	TW20210	19 7/32 x 14 7/32		1628409	2709851	1105961	By description
	TW2032	19 7/32 x 16 7/32		1628410	2709852	1105962	By description
	TW2036	19 7/32 x 19 7/32		1629036	2711006	1105806	By description
	TW20310	19 7/32 x 20 7/32		1628411	2709853	1105963	By description
	TW2042	19 7/32 x 22 7/32		1628412	2709854	1105964	By description
	TW2046	19 7/32 x 24 7/32		1628413	2709855	1105965	By description
	TW20410	19 7/32 x 26 7/32		1629037	2711007	1105807	By description
	TW2052	19 7/32 x 28 7/32		1628414	2709856	1105966	By description
	TW2056E	19 7/32 x 30 7/32		1625595	2709857	1105967	By description
	TW20510	19 7/32 x 32 7/32		1629064	2711035	1105836	By description
	TW2062	19 7/32 x 34 7/32		1628416	2709858	1105968	By description
	TW2056C	19 7/32 x 36 7/32		1628415	2711757	1106867	By description
	TW2072	19 7/32 x 40 7/32	1605880	2701531	1101260	By description	
	TW2076	19 7/32 x 42 7/32	1605881	2701532	1101261	By description	

# 400 Series Tilt-Wash (TW) Windows (1992 to Present)

Stormwatch™ Protection (Coastal Product)

## Grilles - Colonial

### Interior Grille with Clips - Colonial / 3/4" Wood / Prefinished Interior (2003 - 5/2010)

**Note:**

These grilles are used with units that do not have grommets for plungers. Use on Stormwatch units. See iQ+ for additional detail.

Unit No.	Dimensions (w x h)	Lite Pattern	Color/Finish				
			Exterior				
			White	Terratone®	Sandtone	Forest Green	
			Interior				
			White	Terratone®	Sandtone	Forest Green	
24	TW24210	23 7/32 x 14 7/32		1628417	2709859	1105969	By description
	TW2432	23 7/32 x 16 7/32		1628418	2709860	1105970	By description
	TW2436	23 7/32 x 19 7/32		1629038	2711008	1105808	By description
	TW24310	23 7/32 x 20 7/32		1628419	2709861	1105971	By description
	TW2442	23 7/32 x 22 7/32		1628420	2709862	1105972	By description
	TW2446	23 7/32 x 24 7/32		1628421	2709863	1105973	By description
	TW24410	23 7/32 x 26 7/32		1629039	2711009	1105809	By description
	TW2452	23 7/32 x 28 7/32		1628422	2709864	1105974	By description
	TW2456E	23 7/32 x 30 7/32		1625596	2711047	1105847	By description
	TW24510	23 7/32 x 32 7/32		1629065	2711036	1105837	By description
	TW2462	23 7/32 x 34 7/32		1628424	2709866	1105976	By description
	TW2456C	23 7/32 x 36 7/32		1628423	2709865	1105975	By description
	TW2472	23 7/32 x 40 7/32		1605882	2701533	1101262	By description
	TW2476	23 7/32 x 42 7/32		1605883	2701534	1101263	By description
26	TW26210	25 7/32 x 14 7/32		1629040	2711010	1105810	By description
	TW2632	25 7/32 x 16 7/32		1629041	2711011	1105811	By description
	TW2636	25 7/32 x 19 7/32		1629042	2711012	1105812	By description
	TW26310	25 7/32 x 20 7/32		1629043	2711013	1105813	By description
	TW2642	25 7/32 x 22 7/32		1629044	2711014	1105814	By description
	TW2646	25 7/32 x 24 7/32		1629045	2711015	1105815	By description
	TW26410	25 7/32 x 26 7/32		1629046	2711016	1105816	By description
	TW2652	25 7/32 x 28 7/32		1629047	2711017	1105817	By description
	TW2656E	25 7/32 x 30 7/32		1625597	2711037	1105838	By description
	TW26510	25 7/32 x 32 7/32		1629067	2711038	1105839	By description
	TW2662	25 7/32 x 34 7/32		1629068	2711039	1105840	By description
	TW2656C	25 7/32 x 36 7/32		1629066	2711049	1105849	By description
	TW2672	25 7/32 x 40 7/32		1605884	2701535	1101264	By description
	TW2676	25 7/32 x 42 7/32		1605885	2701536	1101265	By description

## Grilles - Colonial

Interior Grille with Clips - Colonial / 3/4" Wood / Prefinished Interior (2003 - 5/2010)								
<b>Note:</b> These grilles are used with units that do not have grommets for plungers. Use on Stormwatch units. See iQ+ for additional detail.								
Unit No.	Dimensions (w x h)	Lite Pattern	Color/Finish					
			Exterior					
			White	Terratone®	Sandtone	Forest Green		
			Interior					
			White	Terratone®	Sandtone	Forest Green		
28	TW28210	27 7/32 x 14 7/32	+	1628425	2709867	1105977	By description	
	TW2832	27 7/32 x 16 7/32		1628426	2709868	1105978	By description	
	TW2836	27 7/32 x 19 7/32		1629048	2711018	1105818	By description	
	TW28310	27 7/32 x 20 7/32		1628427	2709869	1105979	By description	
	TW2842	27 7/32 x 22 7/32		1628428	2709870	1105980	By description	
	TW2846	27 7/32 x 24 7/32		1628429	2709871	1105981	By description	
	TW28410	27 7/32 x 26 7/32		1629049	2711019	1105819	By description	
	TW2852	27 7/32 x 28 7/32		1628430	2709872	1105982	By description	
	TW2856E	27 7/32 x 30 7/32		+	1625598	2711050	1105850	By description
	TW28510	27 7/32 x 32 7/32			1629069	2711041	1105841	By description
	TW2862	27 7/32 x 34 7/32			1628432	2709874	1105984	By description
	TW2856C	27 7/32 x 36 7/32			1628431	2709873	1105983	By description
	TW2872	27 7/32 x 40 7/32			1605886	2701537	1101266	By description
	TW2876	27 7/32 x 42 7/32			1605887	2701538	1101267	By description
210	TW210210	29 7/32 x 14 7/32	+		1629050	2711021	1105821	By description
	TW21032	29 7/32 x 16 7/32			1629051	2711022	1105822	By description
	TW21036	29 7/32 x 19 7/32			1629052	2711023	1105823	By description
	TW210310	29 7/32 x 20 7/32			1629053	2711024	1105825	By description
	TW21042	29 7/32 x 22 7/32			1629054	2711025	1105826	By description
	TW21046	29 7/32 x 24 7/32			1629055	2711026	1105827	By description
	TW210410	29 7/32 x 26 7/32			1629056	2711027	1105828	By description
	TW21052	29 7/32 x 28 7/32			1629057	2711028	1105829	By description
	TW21056E	29 7/32 x 30 7/32		+	1625599	2711042	1105842	By description
	TW210510	29 7/32 x 32 7/32			1629071	2711043	1105843	By description
	TW21062	29 7/32 x 34 7/32			1629072	2711044	1105844	By description
	TW21056C	29 7/32 x 36 7/32			1629070	2711051	1105851	By description
	TW21072	29 7/32 x 40 7/32			1605888	2701539	1101268	By description
	TW21076	29 7/32 x 42 7/32			1605889	2701540	1101269	By description



# 400 Series Tilt-Wash (TW) Windows (1992 to Present)

Stormwatch™ Protection (Coastal Product)

## Grilles - Colonial

### Interior Grille with Clips - Colonial / 3/4" Wood / Prefinished Interior (2003 - 5/2010)

**Note:**

These grilles are used with units that do not have grommets for plungers. Use on Stormwatch units. See iQ+ for additional detail.

Unit No.	Dimensions (w x h)	Lite Pattern	Color/Finish					
			Exterior					
			White	Terratone®	Sandtone	Forest Green		
			Interior					
			White	Terratone®	Sandtone	Forest Green		
30	TW30210	31 7/32 x 14 7/32		1628433	2709875	1105985	By description	
	TW3032	31 7/32 x 16 7/32		1628434	2709876	1105986	By description	
	TW3036	31 7/32 x 19 7/32		1629058	2711029	1105830	By description	
	TW30310	31 7/32 x 20 7/32		1628435	2709877	1105987	By description	
	TW3042	31 7/32 x 22 7/32		1628436	2709878	1105988	By description	
	TW3046	31 7/32 x 24 7/32		1628437	2709879	1105989	By description	
	TW30410	31 7/32 x 26 7/32		1629059	2711030	1105831	By description	
	TW3052	31 7/32 x 28 7/32		1628438	2709880	1105990	By description	
	TW3056E	31 7/32 x 30 7/32			1616239	2711781	1106891	By description
	TW30510	31 7/32 x 32 7/32			1629073	2711048	1105848	By description
	TW3062	31 7/32 x 34 7/32			1628440	2709882	1105992	By description
	TW3056C	31 7/32 x 36 7/32			1628439	2709881	1105991	By description
	TW3072	31 7/32 x 40 7/32			1605890	2701541	1101270	By description
	TW3076	31 7/32 x 42 7/32			1605891	2701542	1101271	By description
34	TW34210	35 7/32 x 14 7/32			1628441	2709883	1105993	By description
	TW3432	35 7/32 x 16 7/32			1628442	2709884	1105994	By description
	TW3436	35 7/32 x 19 7/32			1629060	2711031	1105832	By description
	TW34310	35 7/32 x 20 7/32			1628443	2709885	1105995	By description
	TW3442	35 7/32 x 22 7/32			1628444	2709886	1105996	By description
	TW3446	35 7/32 x 24 7/32			1628445	2709887	1105997	By description
	TW34410	35 7/32 x 26 7/32			1629061	2711032	1105833	By description
	TW3452	35 7/32 x 28 7/32			1628446	2709888	1105998	By description
	TW3456E	35 7/32 x 30 7/32			1616247	2711789	1106899	By description
	TW34510	35 7/32 x 32 7/32			1629074	2711052	1105852	By description
	TW3462	35 7/32 x 34 7/32			1628448	2709890	1106001	By description
	TW3456C	35 7/32 x 36 7/32			1628447	2709889	1105999	By description
	TW3472	35 7/32 x 40 7/32			1605892	2701543	1101272	By description
	TW3476	35 7/32 x 42 7/32			1605893	2701544	1101273	By description

## Grilles - Colonial

Interior Grille with Clips - Colonial / 3/4" Wood / Prefinished Interior (2003 - 5/2010)							
<b>Note:</b> These grilles are used with units that do not have grommets for plungers. Use on Stormwatch units. See iQ+ for additional detail.							
Unit No.	Dimensions (w x h)	Lite Pattern	Color/Finish				
			Exterior				
			White	Terratone®	Sandtone	Forest Green	
			Interior				
			White	Terratone®	Sandtone	Forest Green	
<b>38</b>	TW38210	39 7/32 × 14 7/32		1628449	2709891	1106002	By description
	TW3832	39 7/32 × 16 7/32		1628450	2709892	1106003	By description
	TW3836	39 7/32 × 19 7/32		1629062	2711033	1105834	By description
	TW38310	39 7/32 × 20 7/32		1628451	2709893	1106004	By description
	TW3842	39 7/32 × 22 7/32		1628452	2709894	1106005	By description
	TW3846	39 7/32 × 24 7/32		1628453	2709895	1106006	By description
	TW38410	39 7/32 × 26 7/32		1629063	2711034	1105835	By description
	TW3852	39 7/32 × 28 7/32		1628454	2709896	1106007	By description
	TW3856E	39 7/32 × 30 7/32		1616255	2711797	1106808	By description
	TW38510	39 7/32 × 32 7/32		1629075	2711053	1105853	By description
	TW3862	39 7/32 × 34 7/32		1628456	2709898	1106009	By description
	TW3856C	39 7/32 × 36 7/32		1628455	2709897	1106008	By description
	TW3872	39 7/32 × 40 7/32		1605894	2701545	1101274	By description
	TW3876	39 7/32 × 42 7/32		1605895	2701546	1101275	By description

# 400 Series Tilt-Wash (TW) Windows (1992 to Present)

Stormwatch™ Protection (Coastal Product)

## Grilles - Colonial

<b>Upper Cottage / Wood w/Clips (2003 - 5/2010)</b>						
<b>Interior Grille with Clips - Colonial / Cottage Upper / 3/4" Wood (2003 - 5/2010)</b>						
<b>Note:</b> See iQ+ for additional detail.						
Unit No.	Dimensions (w x h)	Color/Species				
		Exterior				
		White	Terratone®	Sandtone	Forest Green	
		Maple Interior				
<b>18</b>	TW18310CU	15 7/32 x 16 7/32	1625202	2709644	1105881	0314402
	TW1842CU	15 7/32 x 19 7/32	1625283	2710903	1105703	0314483
	TW1846CU	15 7/32 x 20 7/32	OBD	OBD	OBD	OBD
	TW18410CU	15 7/32 x 20 7/32	OBD	OBD	OBD	OBD
	TW1852CU	15 7/32 x 22 7/32	1625204	2709646	1105883	0314404
	TW1856CU	15 7/32 x 24 7/32	1625205	2709647	1105884	0314408
<b>20</b>	TW20310CU	19 7/32 x 16 7/32	1625210	2709652	1105889	0314410
	TW2042CU	19 7/32 x 19 7/32	1625286	2710906	1105706	0314486
	TW2046CU	19 7/32 x 20 7/32	1625211	2709653	1105890	0314411
	TW20410CU	19 7/32 x 20 7/32	1625211	2709653	1105890	0314411
	TW2052CU	19 7/32 x 22 7/32	1625212	2709654	1105891	0314412
	TW2056CU	19 7/32 x 24 7/32	1625213	2709655	1105892	0314413
<b>210</b>	TW210310CU	29 7/32 x 16 7/32	1625302	2710922	1105722	0314502
	TW21042CU	29 7/32 x 19 7/32	1625303	2710923	1105723	0314503
	TW21046CU	29 7/32 x 20 7/32	1625304	2710924	1105725	0314504
	TW210410CU	29 7/32 x 20 7/32	1625304	2710924	1105725	0314504
	TW21052CU	29 7/32 x 22 7/32	1625305	2710925	1105726	0314505
	TW21056CU	29 7/32 x 24 7/32	1625306	2710926	1105727	0314506
<b>24</b>	TW24310CU	23 7/32 x 16 7/32	1625218	2709660	1105897	0314418
	TW2442CU	23 7/32 x 19 7/32	1625288	2710908	1105708	0314488
	TW2446CU	23 7/32 x 20 7/32	1625219	2709661	1105898	0314419
	TW24410CU	23 7/32 x 20 7/32	1625219	2709661	1105898	0314419
	TW2452CU	23 7/32 x 22 7/32	1625220	2709662	1105899	0314420
	TW2456CU	23 7/32 x 24 7/32	1625221	2709663	1105901	0314421
<b>26</b>	TW26310CU	25 7/32 x 16 7/32	1625291	2710911	1105711	0314491
	TW2642CU	25 7/32 x 19 7/32	1625292	2710912	1105712	0314492
	TW2646CU	25 7/32 x 20 7/32	1625293	2710913	1105713	0314493
	TW26410CU	25 7/32 x 20 7/32	1625293	2710913	1105713	0314493
	TW2652CU	25 7/32 x 22 7/32	1625294	2710914	1105714	0314494
	TW2656CU	25 7/32 x 24 7/32	1625295	2710915	1105715	0314495

## Grilles - Colonial

<b>Upper Cottage / Wood w/Clips (2003 - 5/2010)</b>						
<b>Interior Grille with Clips - Colonial / Cottage Upper / 3/4" Wood (2003 - 5/2010)</b>						
<b>Note:</b> See iQ+ for additional detail.						
Unit No.	Dimensions (w x h)	Color/Species				
		Exterior				
		White	Terratone®	Sandtone	Forest Green	
		Maple Interior				
<b>28</b>	TW28310CU	27 7/32 x 16 7/32	1625226	2709668	1105906	0314426
	TW2842CU	27 7/32 x 19 7/32	1625298	2710918	1105718	0314498
	TW2846CU	27 7/32 x 20 7/32	1625227	2709669	1105907	0314427
	TW28410CU	27 7/32 x 20 7/32	1625227	2709669	1105907	0314427
	TW2852CU	27 7/32 x 22 7/32	1625228	2709670	1105908	0314428
	TW2856CU	27 7/32 x 24 7/32	1625229	2709671	1105909	0314429
<b>30</b>	TW30310CU	31 7/32 x 16 7/32	1625234	2709676	1105914	0314434
	TW3042CU	31 7/32 x 19 7/32	1625309	2710929	1105730	0314509
	TW3046CU	31 7/32 x 20 7/32	1625235	2709677	1105915	0314435
	TW30410CU	31 7/32 x 20 7/32	1625235	2709677	1105915	0314435
	TW3052CU	31 7/32 x 22 7/32	1625236	2709678	1105916	0314436
	TW3056CU	31 7/32 x 24 7/32	1625237	2709679	1105917	0314437
<b>34</b>	TW34310CU	35 7/32 x 16 7/32	1625242	2709684	1105922	0314442
	TW3442CU	35 7/32 x 19 7/32	1625311	2710931	1105732	0314511
	TW3446CU	35 7/32 x 20 7/32	1625243	2709685	1105923	0314443
	TW34410CU	35 7/32 x 20 7/32	1625243	2709685	1105923	0314443
	TW3452CU	35 7/32 x 22 7/32	1625244	2709686	1105924	0314444
	TW3456CU	35 7/32 x 24 7/32	1625245	2709687	1105925	0314445
<b>38</b>	TW38310CU	39 7/32 x 16 7/32	1625250	2709692	1105930	0314450
	TW3842CU	39 7/32 x 19 7/32	1625313	2710933	1105734	0314513
	TW3846CU	39 7/32 x 20 7/32	1625251	2709693	1105931	0314451
	TW38410CU	39 7/32 x 20 7/32	1625251	2709693	1105931	0314451
	TW3852CU	39 7/32 x 22 7/32	1625252	2709694	1105932	0314452
	TW3856CU	39 7/32 x 24 7/32	1625253	2709695	1105933	0314453

# 400 Series Tilt-Wash (TW) Windows (1992 to Present)

Stormwatch™ Protection (Coastal Product)

## Grilles - Colonial

<b>Lower Cottage / Wood w/Clips (2003 - 5/2010)</b>						
<b>Interior Grille with Clips - Colonial / Cottage Lower / 3/4" Wood (2003 - 5/2010)</b>						
<b>Note:</b> See iQ+ for additional detail.						
Unit No.	Dimensions (w x h)	Color/Species				
		Exterior				Maple Interior
		White	Terratone®	Sandtone	Forest Green	
<b>18</b>	TW18310CL	15 7/32 x 24 7/32	1630930	2725001	1106016	0314901
	TW18410CL	15 7/32 x 32 7/32	1625285	2710905	1105705	0314485
	TW1842CL	15 7/32 x 26 7/32	1630931	2725002	1106017	0314902
	TW1846CL	15 7/32 x 28 7/32	1630932	2725003	1106018	0314903
	TW1852CL	15 7/32 x 34 7/32	1625208	2709650	1105887	0314408
	TW1856CL	15 7/32 x 36 7/32	1625207	2709649	1106406	0314407
<b>20</b>	TW20310CL	19 7/32 x 24 7/32	1630933	2725004	1106019	0314904
	TW20410CL	19 7/32 x 32 7/32	1625315	2710935	1105736	0314515
	TW2042CL	19 7/32 x 26 7/32	1630934	2725005	1106020	0314905
	TW2046CL	19 7/32 x 28 7/32	1630935	2725006	1106021	0314906
	TW2052CL	19 7/32 x 34 7/32	1625216	2709658	1105895	0314416
	TW2056CL	19 7/32 x 36 7/32	1625215	2709657	1106794	0314415
<b>210</b>	TW210310CL	29 7/32 x 24 7/32	1630954	2725025	1106013	0314925
	TW210410CL	29 7/32 x 32 7/32	1625323	2710943	1105743	0314522
	TW21042CL	29 7/32 x 26 7/32	1630955	2725026	1106014	0314926
	TW21046CL	29 7/32 x 28 7/32	1630956	2725027	1106015	0314927
	TW21052CL	29 7/32 x 34 7/32	1625324	2710944	1105744	0314523
	TW21056CL	29 7/32 x 36 7/32	1625322	2710951	1105751	0314521
<b>24</b>	TW24310CL	23 7/32 x 24 7/32	1630936	2725007	1106022	0314907
	TW24410CL	23 7/32 x 32 7/32	1625316	2710936	1105737	0314516
	TW2442CL	23 7/32 x 26 7/32	1630937	2725008	1106023	0314908
	TW2446CL	23 7/32 x 28 7/32	1630938	2725009	1106024	0314909
	TW2452CL	23 7/32 x 34 7/32	1625224	2709666	1105904	0314424
	TW2456CL	23 7/32 x 36 7/32	1625223	2709665	1105903	0314423
<b>26</b>	TW26310CL	25 7/32 x 24 7/32	1630951	2725022	1106010	0314922
	TW26410CL	25 7/32 x 32 7/32	1625318	2710938	1105739	0314518
	TW2642CL	25 7/32 x 26 7/32	1630952	2725023	1106011	0314923
	TW2646CL	25 7/32 x 28 7/32	1630953	2725024	1106012	0314924
	TW2652CL	25 7/32 x 34 7/32	1625319	2710939	1105740	0314519
	TW2656CL	25 7/32 x 36 7/32	1625317	2710949	1105749	0314517

## Grilles - Colonial

<b>Lower Cottage / Wood w/Clips (2003 - 5/2010)</b>						
<b>Interior Grille with Clips - Colonial / Cottage Lower / 3/4" Wood (2003 - 5/2010)</b>						
<b>Note:</b> See iQ+ for additional detail.						
Unit No.	Dimensions (w x h)	Color/Species				
		Exterior				Maple Interior
		White	Terratone®	Sandtone	Forest Green	
<b>28</b>	TW28310CL	27 7/32 x 24 7/32	1630939	2725010	1106025	0314910
	TW28410CL	27 7/32 x 32 7/32	1625321	2710941	1105741	0314520
	TW2842CL	27 7/32 x 26 7/32	1630940	2725011	1106026	0314911
	TW2846CL	27 7/32 x 28 7/32	1630941	2725012	1106027	0314912
	TW2852CL	27 7/32 x 34 7/32	1625232	2709674	1105912	0314432
	TW2856CL	27 7/32 x 36 7/32	1625231	2709673	1105911	0314431
<b>30</b>	TW30310CL	31 7/32 x 24 7/32	1630942	2725013	1106028	0314913
	TW30410CL	31 7/32 x 32 7/32	1625325	2710948	1105748	0314524
	TW3042CL	31 7/32 x 26 7/32	1630943	2725014	1106029	0314914
	TW3046CL	31 7/32 x 28 7/32	1630944	2725015	1106030	0314915
	TW3052CL	31 7/32 x 34 7/32	1625240	2709682	1105920	0314440
	TW3056CL	31 7/32 x 36 7/32	1625239	2709681	1105919	0314439
<b>34</b>	TW34310CL	35 7/32 x 24 7/32	1630945	2725016	1106031	0314916
	TW34410CL	35 7/32 x 32 7/32	1625326	2710952	1105752	0314525
	TW3442CL	35 7/32 x 26 7/32	1630946	2725017	1106032	0314917
	TW3446CL	35 7/32 x 28 7/32	1630947	2725018	1106033	0314918
	TW3452CL	35 7/32 x 34 7/32	1625248	2709690	1105928	0314448
	TW3456CL	35 7/32 x 36 7/32	1625247	2709689	1105927	0314447
<b>38</b>	TW38310CL	39 7/32 x 24 7/32	1630948	2725019	1106034	0314919
	TW38410CL	39 7/32 x 32 7/32	1625327	2710953	1105753	0314526
	TW3842CL	39 7/32 x 26 7/32	1630949	2725020	1106035	0314920
	TW3846CL	39 7/32 x 28 7/32	1630950	2725021	1106036	0314921
	TW3852CL	39 7/32 x 34 7/32	1625256	2709698	1105936	0314456
	TW3856CL	39 7/32 x 36 7/32	1625255	2709697	1105935	0314455

## 400 Series Tilt-Wash (TW) Windows (1992 to Present)

*Stormwatch™ Protection (Coastal Product)*

Upper Cottage / Prefinished Interior w/Clips (2003 - 5/2010)			
Interior Grille with Clips - Colonial / Cottage Upper / 3/4" Prefinished Interior White (2003 - 5/2010)			
<b>Note:</b> See iQ+ for additional detail.			
	Unit No.	Dimensions (w x h)	Prefinished Interior White/ White Exterior
	TW18310CU	15 <sup>7</sup> / <sub>32</sub> x 16 <sup>7</sup> / <sub>32</sub>	1628402
	TW1842CU	15 <sup>7</sup> / <sub>32</sub> x 19 <sup>7</sup> / <sub>32</sub>	1629033
	TW1846CU	15 <sup>7</sup> / <sub>32</sub> x 20 <sup>7</sup> / <sub>32</sub>	OBD/Config
	TW18410CU	15 <sup>7</sup> / <sub>32</sub> x 20 <sup>7</sup> / <sub>32</sub>	OBD/Config
	TW1852CU	15 <sup>7</sup> / <sub>32</sub> x 22 <sup>7</sup> / <sub>32</sub>	1628404
	TW1856CU	15 <sup>7</sup> / <sub>32</sub> x 24 <sup>7</sup> / <sub>32</sub>	1616205
	TW20310CU	19 <sup>7</sup> / <sub>32</sub> x 16 <sup>7</sup> / <sub>32</sub>	1628410
	TW2042CU	19 <sup>7</sup> / <sub>32</sub> x 19 <sup>7</sup> / <sub>32</sub>	1629036
	TW2046CU	19 <sup>7</sup> / <sub>32</sub> x 20 <sup>7</sup> / <sub>32</sub>	1628411
	TW20410CU	19 <sup>7</sup> / <sub>32</sub> x 20 <sup>7</sup> / <sub>32</sub>	1628411
	TW2052CU	19 <sup>7</sup> / <sub>32</sub> x 22 <sup>7</sup> / <sub>32</sub>	1628412
	TW2056CU	19 <sup>7</sup> / <sub>32</sub> x 24 <sup>7</sup> / <sub>32</sub>	1628413
	TW210310CU	29 <sup>7</sup> / <sub>32</sub> x 16 <sup>7</sup> / <sub>32</sub>	1629051
	TW21042CU	29 <sup>7</sup> / <sub>32</sub> x 19 <sup>7</sup> / <sub>32</sub>	1629052
	TW21046CU	29 <sup>7</sup> / <sub>32</sub> x 20 <sup>7</sup> / <sub>32</sub>	1629053
	TW210410CU	29 <sup>7</sup> / <sub>32</sub> x 20 <sup>7</sup> / <sub>32</sub>	1629053
	TW21052CU	29 <sup>7</sup> / <sub>32</sub> x 22 <sup>7</sup> / <sub>32</sub>	1629054
	TW21056CU	29 <sup>7</sup> / <sub>32</sub> x 24 <sup>7</sup> / <sub>32</sub>	1629055
	TW24310CU	23 <sup>7</sup> / <sub>32</sub> x 16 <sup>7</sup> / <sub>32</sub>	1628418
	TW2442CU	23 <sup>7</sup> / <sub>32</sub> x 19 <sup>7</sup> / <sub>32</sub>	1629038
	TW2446CU	23 <sup>7</sup> / <sub>32</sub> x 20 <sup>7</sup> / <sub>32</sub>	1628419
	TW24410CU	23 <sup>7</sup> / <sub>32</sub> x 20 <sup>7</sup> / <sub>32</sub>	1628419
	TW2452CU	23 <sup>7</sup> / <sub>32</sub> x 22 <sup>7</sup> / <sub>32</sub>	1628420
	TW2456CU	23 <sup>7</sup> / <sub>32</sub> x 24 <sup>7</sup> / <sub>32</sub>	1628421
	TW26310CU	25 <sup>7</sup> / <sub>32</sub> x 16 <sup>7</sup> / <sub>32</sub>	1629041
	TW2642CU	25 <sup>7</sup> / <sub>32</sub> x 19 <sup>7</sup> / <sub>32</sub>	1629042
	TW2646CU	25 <sup>7</sup> / <sub>32</sub> x 20 <sup>7</sup> / <sub>32</sub>	1629043
	TW26410CU	25 <sup>7</sup> / <sub>32</sub> x 20 <sup>7</sup> / <sub>32</sub>	1629043
	TW2652CU	25 <sup>7</sup> / <sub>32</sub> x 22 <sup>7</sup> / <sub>32</sub>	1629044
	TW2656CU	25 <sup>7</sup> / <sub>32</sub> x 24 <sup>7</sup> / <sub>32</sub>	1629045
	TW28310CU	27 <sup>7</sup> / <sub>32</sub> x 16 <sup>7</sup> / <sub>32</sub>	1628426
	TW2842CU	27 <sup>7</sup> / <sub>32</sub> x 19 <sup>7</sup> / <sub>32</sub>	1629048
	TW2846CU	27 <sup>7</sup> / <sub>32</sub> x 20 <sup>7</sup> / <sub>32</sub>	1628427
	TW28410CU	27 <sup>7</sup> / <sub>32</sub> x 20 <sup>7</sup> / <sub>32</sub>	1628427
	TW2852CU	27 <sup>7</sup> / <sub>32</sub> x 22 <sup>7</sup> / <sub>32</sub>	1628428

## Grilles - Colonial

### Upper Cottage / Prefinished Interior w/Clips (2003 - 5/2010)

#### Interior Grille with Clips - Colonial / Cottage Upper / 3/4" Prefinished Interior White (2003 - 5/2010)

**Note:**

See iQ+ for additional detail.

	Unit No.	Dimensions (w x h)	Prefinished Interior White/ White Exterior
	TW2856CU	27 <sup>7</sup> / <sub>32</sub> x 24 <sup>7</sup> / <sub>32</sub>	1628429
	TW30310CU	31 <sup>7</sup> / <sub>32</sub> x 16 <sup>7</sup> / <sub>32</sub>	1628434
	TW3042CU	31 <sup>7</sup> / <sub>32</sub> x 19 <sup>7</sup> / <sub>32</sub>	1629058
	TW3046CU	31 <sup>7</sup> / <sub>32</sub> x 20 <sup>7</sup> / <sub>32</sub>	1628435
	TW30410CU	31 <sup>7</sup> / <sub>32</sub> x 20 <sup>7</sup> / <sub>32</sub>	1628435
	TW3052CU	31 <sup>7</sup> / <sub>32</sub> x 22 <sup>7</sup> / <sub>32</sub>	1628436
	TW3056CU	31 <sup>7</sup> / <sub>32</sub> x 24 <sup>7</sup> / <sub>32</sub>	1628437
	TW34310CU	35 <sup>7</sup> / <sub>32</sub> x 16 <sup>7</sup> / <sub>32</sub>	1628442
	TW3442CU	35 <sup>7</sup> / <sub>32</sub> x 19 <sup>7</sup> / <sub>32</sub>	1629060
	TW3446CU	35 <sup>7</sup> / <sub>32</sub> x 20 <sup>7</sup> / <sub>32</sub>	1628443
	TW34410CU	35 <sup>7</sup> / <sub>32</sub> x 20 <sup>7</sup> / <sub>32</sub>	1628443
	TW3452CU	35 <sup>7</sup> / <sub>32</sub> x 22 <sup>7</sup> / <sub>32</sub>	1628444
	TW3456CU	35 <sup>7</sup> / <sub>32</sub> x 24 <sup>7</sup> / <sub>32</sub>	1628445
	TW38310CU	39 <sup>7</sup> / <sub>32</sub> x 16 <sup>7</sup> / <sub>32</sub>	1628450
	TW3842CU	39 <sup>7</sup> / <sub>32</sub> x 19 <sup>7</sup> / <sub>32</sub>	1629062
	TW3846CU	39 <sup>7</sup> / <sub>32</sub> x 20 <sup>7</sup> / <sub>32</sub>	1628451
	TW38410CU	39 <sup>7</sup> / <sub>32</sub> x 20 <sup>7</sup> / <sub>32</sub>	1628451
	TW3852CU	39 <sup>7</sup> / <sub>32</sub> x 22 <sup>7</sup> / <sub>32</sub>	1628452
	TW3856CU	39 <sup>7</sup> / <sub>32</sub> x 24 <sup>7</sup> / <sub>32</sub>	1628453



# 400 Series Tilt-Wash (TW) Windows (1992 to Present)

Stormwatch™ Protection (Coastal Product)

## Grilles - Colonial

### Lower Cottage / Prefinished Interior w/Clips (2003 - 5/2010)

#### Interior Grille with Clips - Colonial / Cottage Lower / 3/4" Prefinished Interior White (2003 - 5/2010)

**Note:**

See iQ+ for additional detail.

	Unit No.	Dimensions (w x h)	Prefinished White Exterior/ White Interior
<b>18</b>	TW18310CL	15 <sup>7</sup> / <sub>32</sub> x 24 <sup>7</sup> / <sub>32</sub>	1630957
	TW18410CL	15 <sup>7</sup> / <sub>32</sub> x 32 <sup>7</sup> / <sub>32</sub>	1629035
	TW1842CL	15 <sup>7</sup> / <sub>32</sub> x 26 <sup>7</sup> / <sub>32</sub>	1630958
	TW1846CL	15 <sup>7</sup> / <sub>32</sub> x 30 <sup>7</sup> / <sub>32</sub>	1630959
	TW1852CL	15 <sup>7</sup> / <sub>32</sub> x 34 <sup>7</sup> / <sub>32</sub>	1628408
	TW1856CL	15 <sup>7</sup> / <sub>32</sub> x 36 <sup>7</sup> / <sub>32</sub>	1628407
<b>20</b>	TW20310CL	19 <sup>7</sup> / <sub>32</sub> x 24 <sup>7</sup> / <sub>32</sub>	1630960
	TW20410CL	19 <sup>7</sup> / <sub>32</sub> x 32 <sup>7</sup> / <sub>32</sub>	1629064
	TW2042CL	19 <sup>7</sup> / <sub>32</sub> x 26 <sup>7</sup> / <sub>32</sub>	1630961
	TW2046CL	19 <sup>7</sup> / <sub>32</sub> x 30 <sup>7</sup> / <sub>32</sub>	1630962
	TW2052CL	19 <sup>7</sup> / <sub>32</sub> x 34 <sup>7</sup> / <sub>32</sub>	1628416
	TW2056CL	19 <sup>7</sup> / <sub>32</sub> x 36 <sup>7</sup> / <sub>32</sub>	1628415
<b>210</b>	TW21031CL	29 <sup>7</sup> / <sub>32</sub> x 24 <sup>7</sup> / <sub>32</sub>	1630981
	TW210410CL	29 <sup>7</sup> / <sub>32</sub> x 32 <sup>7</sup> / <sub>32</sub>	1629071
	TW21042CL	29 <sup>7</sup> / <sub>32</sub> x 26 <sup>7</sup> / <sub>32</sub>	1630982
	TW21046CL	29 <sup>7</sup> / <sub>32</sub> x 30 <sup>7</sup> / <sub>32</sub>	1630983
	TW21052CL	29 <sup>7</sup> / <sub>32</sub> x 34 <sup>7</sup> / <sub>32</sub>	1629072
	TW21056CL	29 <sup>7</sup> / <sub>32</sub> x 36 <sup>7</sup> / <sub>32</sub>	1629070
<b>24</b>	TW24310CL	23 <sup>7</sup> / <sub>32</sub> x 24 <sup>7</sup> / <sub>32</sub>	1630963
	TW24410CL	23 <sup>7</sup> / <sub>32</sub> x 32 <sup>7</sup> / <sub>32</sub>	1629065
	TW2442CL	23 <sup>7</sup> / <sub>32</sub> x 26 <sup>7</sup> / <sub>32</sub>	1630964
	TW2446CL	23 <sup>7</sup> / <sub>32</sub> x 30 <sup>7</sup> / <sub>32</sub>	1630965
	TW2452CL	23 <sup>7</sup> / <sub>32</sub> x 34 <sup>7</sup> / <sub>32</sub>	1628424
<b>26</b>	TW26310CL	25 <sup>7</sup> / <sub>32</sub> x 24 <sup>7</sup> / <sub>32</sub>	1630978
	TW26410CL	25 <sup>7</sup> / <sub>32</sub> x 32 <sup>7</sup> / <sub>32</sub>	1629067
	TW2642CL	25 <sup>7</sup> / <sub>32</sub> x 26 <sup>7</sup> / <sub>32</sub>	1630979
	TW2646CL	25 <sup>7</sup> / <sub>32</sub> x 30 <sup>7</sup> / <sub>32</sub>	1630980
	TW2652CL	25 <sup>7</sup> / <sub>32</sub> x 34 <sup>7</sup> / <sub>32</sub>	1629068
	TW2656CL	25 <sup>7</sup> / <sub>32</sub> x 36 <sup>7</sup> / <sub>32</sub>	1629066
<b>28</b>	TW28310CL	27 <sup>7</sup> / <sub>32</sub> x 24 <sup>7</sup> / <sub>32</sub>	1630966
	TW28410CL	27 <sup>7</sup> / <sub>32</sub> x 32 <sup>7</sup> / <sub>32</sub>	1629069
	TW2842CL	27 <sup>7</sup> / <sub>32</sub> x 26 <sup>7</sup> / <sub>32</sub>	1630967
	TW2846CL	27 <sup>7</sup> / <sub>32</sub> x 30 <sup>7</sup> / <sub>32</sub>	1630968
	TW2852CL	27 <sup>7</sup> / <sub>32</sub> x 34 <sup>7</sup> / <sub>32</sub>	1628432
	TW2856CL	27 <sup>7</sup> / <sub>32</sub> x 36 <sup>7</sup> / <sub>32</sub>	1628431

## Grilles - Colonial

### Lower Cottage / Prefinished Interior w/Clips (2003 - 5/2010)

#### Interior Grille with Clips - Colonial / Cottage Lower / 3/4" Prefinished Interior White (2003 - 5/2010)

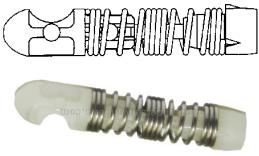


**Note:**  
See iQ+ for additional detail.

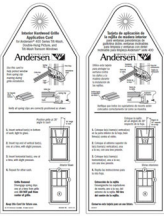
	Unit No.	Dimensions (w x h)	Prefinished White Exterior/ White Interior
<b>30</b>	TW30310CL	31 <sup>7</sup> / <sub>32</sub> x 24 <sup>7</sup> / <sub>32</sub>	1630969
	TW30410CL	31 <sup>7</sup> / <sub>32</sub> x 32 <sup>7</sup> / <sub>32</sub>	1629073
	TW3042CL	31 <sup>7</sup> / <sub>32</sub> x 26 <sup>7</sup> / <sub>32</sub>	1630970
	TW3046CL	31 <sup>7</sup> / <sub>32</sub> x 30 <sup>7</sup> / <sub>32</sub>	1630971
	TW3052CL	31 <sup>7</sup> / <sub>32</sub> x 34 <sup>7</sup> / <sub>32</sub>	1628440
	TW3056CL	31 <sup>7</sup> / <sub>32</sub> x 36 <sup>7</sup> / <sub>32</sub>	1628439
<b>34</b>	TW34310CL	35 <sup>7</sup> / <sub>32</sub> x 24 <sup>7</sup> / <sub>32</sub>	1630972
	TW34410CL	35 <sup>7</sup> / <sub>32</sub> x 32 <sup>7</sup> / <sub>32</sub>	1629074
	TW3442CL	35 <sup>7</sup> / <sub>32</sub> x 26 <sup>7</sup> / <sub>32</sub>	1630973
	TW3446CL	35 <sup>7</sup> / <sub>32</sub> x 30 <sup>7</sup> / <sub>32</sub>	1630974
	TW3452CL	35 <sup>7</sup> / <sub>32</sub> x 34 <sup>7</sup> / <sub>32</sub>	1628448
	TW3456CL	35 <sup>7</sup> / <sub>32</sub> x 36 <sup>7</sup> / <sub>32</sub>	1628447
<b>38</b>	TW38310CL	39 <sup>7</sup> / <sub>32</sub> x 24 <sup>7</sup> / <sub>32</sub>	1628451
	TW38410CL	39 <sup>7</sup> / <sub>32</sub> x 32 <sup>7</sup> / <sub>32</sub>	1629075
	TW3842CL	39 <sup>7</sup> / <sub>32</sub> x 26 <sup>7</sup> / <sub>32</sub>	1630976
	TW3846CL	39 <sup>7</sup> / <sub>32</sub> x 30 <sup>7</sup> / <sub>32</sub>	1630977
	TW3852CL	39 <sup>7</sup> / <sub>32</sub> x 34 <sup>7</sup> / <sub>32</sub>	1628456
	TW3856CL	39 <sup>7</sup> / <sub>32</sub> x 36 <sup>7</sup> / <sub>32</sub>	1628455

# 400 Series Tilt-Wash (TW) Windows (1992 to Present)

Stormwatch™ Protection (Coastal Product)

## Grilles - Colonial

Interior Grille Parts			
<b>Fastener - Grille Plunger</b>			
			<b>Order No.</b>
			1630038
<b>Fastener - Grille Plunger (Impact Resistant)</b>			
	<b>Note:</b> Use for grilles applied to Stormwatch units manufactured after 9/20/09. Use for grilles applied to TW, DHP and TWT manufactured after 5/10/10.		<b>Order No.</b>
<b>Fastener - Grille (1985)</b>			
	<b>Note:</b> Use this grille clip for all custom wood grilles.	<b>Color</b>	<b>Order No.</b>
		White	1974310
		Terratone®	2601210
		Sandtone	8154120
		Forest Green	9046244

Installation Guide/Aid		
<b>Note:</b> Grilles include fasteners. <a href="#">See Accessory Guide 9033637.</a>		
		<b>Order No.</b>
		9033637

## Grilles - Prairie A

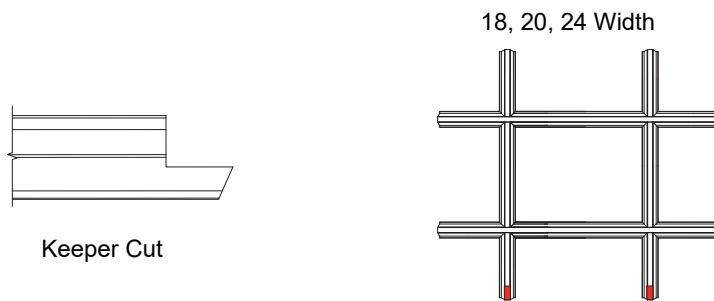
## Grilles - Prairie A

### Upper / Wood Interior w/chisel plungers (5/2010 - Present)

**Note:**  
See [Accessory Guide 9033637](#).

### Interior Grille with Chisel Plungers - Prairie A / Upper / 3/4" Wood / Natural Wood Interior / Keeper Cut

**Note:**  
Upper grilles for Impact Resistant and PG Upgrade use a modified end fab to fit behind keeper for 18, 20 and 24 width. See [upper grilles](#) (26, 28, 210, 30, 34 and 38 width) and [lower grilles](#) that use the standard grille. See iQ+ for additional detail.



Unit No.	Dimensions (w x h)	Exterior							
		White	Terra-tone®	Sandtone	Forest Green	Canvas	Dark Bronze	Black	
		Maple Interior							
18	18210	15 7/32 × 14 7/32	9040246	9040306	9040186	9040126	9047805	9072526	9127705
	1832/310CU	15 7/32 × 16 7/32	9040248	9040308	9040188	9040128	9047807	9072528	9127707
	1836/42CU	15 7/32 × 18 7/32	9040249	9040309	9040189	9040129	9047808	9072529	9127708
	18310/46CU/410CU	15 7/32 × 20 7/32	9040247	9040307	9040187	9040127	9047806	9072527	9127706
	18310U <i>(9/2017 - Present)</i>	15 7/32 × 20 23/32	9168237	9168190	9168140	9168137	9168055	9168076	9168098
	1842/52CU	15 7/32 × 22 7/32	9040251	9040311	9040191	9040131	9047810	9072531	9127710
	1846/56CU/510CU	15 7/32 × 24 7/32	9040252	9040312	9040192	9040132	9047811	9072532	9127711
	1846/56CU <i>(4/2017 - Present)</i>	15 7/32 × 24 23/32	9152663	9152661	9152659	9152658	9152656	9152657	9152655
	18410/62CU	15 7/32 × 26 7/32	9040250	9040310	9040190	9040130	9047809	9072530	9127709
	1852	15 7/32 × 28 7/32	9040254	9040314	9040194	9040134	9047813	9072534	9127713
	18510	15 7/32 × 32 7/32	9040253	9040313	9040193	9040133	9047812	9072533	9127712
	1862	15 7/32 × 34 7/32	9040255	9040315	9040195	9040135	9047814	9072535	9127714

# 400 Series Tilt-Wash (TW) Windows (1992 to Present)

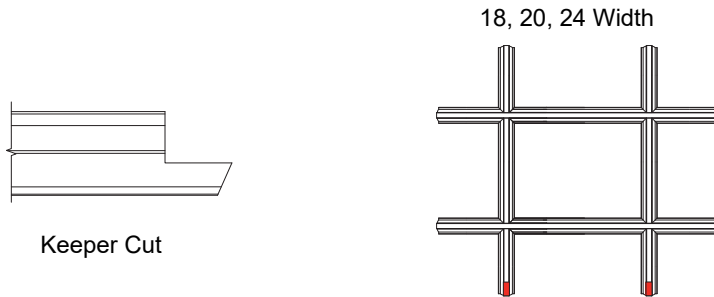
Stormwatch™ Protection (Coastal Product)

## Grilles - Prairie A

### Interior Grille with Chisel Plungers - Prairie A / Upper / 3/4" Wood / Natural Wood Interior / Keeper Cut

**Note:**

Upper grilles for Impact Resistant and PG Upgrade use a modified end fab to fit behind keeper for 18, 20 and 24 width. See [upper grilles](#) (26, 28, 210, 30, 34 and 38 width) and [lower grilles](#) that use the standard grille. See iQ+ for additional detail.

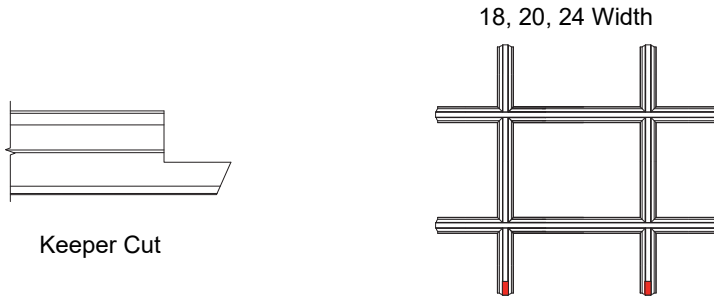


Unit No.	Dimensions (w x h)	Exterior							
		White	Terra- tone®	Sandtone	Forest Green	Canvas	Dark Bronze	Black	
		Maple Interior							
<b>20</b>	<b>20210</b>	19 7/32 × 14 7/32	9040256	9040316	9040196	9040136	9047815	9072536	9127715
	<b>2032/310CU</b>	19 7/32 × 16 7/32	9040258	9040318	9040198	9040138	9047817	9072538	9127717
	<b>2036/42CU</b>	19 7/32 × 18 7/32	9040259	9040319	9040199	9040139	9047818	9072539	9127718
	<b>20310/46CU/410CU</b>	19 7/32 × 20 7/32	9040257	9040317	9040197	9040137	9047816	9072537	9127716
	<b>20310U</b> <i>(9/2017 - Present)</i>	19 7/32 × 20 23/32	9168270	9168191	9168141	9168138	9168056	9168077	9168099
	<b>2042/52CU</b>	19 7/32 × 22 7/32	9040261	9040321	9040201	9040141	9047820	9072541	9127720
	<b>2046/56CU/510CU</b>	19 7/32 × 24 7/32	9040262	9040322	9040202	9040142	9047821	9072542	9127721
	<b>2046/56CU</b> <i>(4/2017 - Present)</i>	19 7/32 × 24 23/32	9152723	9152721	9152719	9152718	9152716	9152717	9152715
	<b>20410/62CU</b>	19 7/32 × 26 7/32	9040260	9040320	9040200	9040140	9047819	9072540	9127719
	<b>2052</b>	19 7/32 × 28 7/32	9040264	9040324	9040204	9040144	9047823	9072544	9127723
	<b>20510</b>	19 7/32 × 32 7/32	9040263	9040323	9040203	9040143	9047822	9072543	9127722
<b>2062</b>	19 7/32 × 34 7/32	9040265	9040325	9040205	9040145	9047824	9072545	9127724	

**Interior Grille with Chisel Plungers - Prairie A / Upper / 3/4" Wood / Natural Wood Interior / Keeper Cut**

**Note:**

Upper grilles for Impact Resistant and PG Upgrade use a modified end fab to fit behind keeper for 18, 20 and 24 width. See [upper grilles](#) (26, 28, 210, 30, 34 and 38 width) and [lower grilles](#) that use the standard grille. See iQ+ for additional detail.



Unit No.	Dimensions (w x h)	Exterior							Maple Interior
		White	Terra-tone®	Sandtone	Forest Green	Canvas	Dark Bronze	Black	
<b>24</b>	<b>24210</b>	23 7/32 × 14 7/32	9040266	9040326	9040206	9040146	9047825	9072546	9127725
	<b>2432/310CU</b>	23 7/32 × 16 7/32	9040268	9040328	9040208	9040148	9047827	9072548	9127727
	<b>2436/42CU</b>	23 7/32 × 18 7/32	9040269	9040329	9040209	9040149	9047828	9072549	9127728
	<b>24310/46CU/410CU</b>	23 7/32 × 20 7/32	9040267	9040327	9040207	9040147	9047826	9072547	9127726
	<b>24310U</b> <i>(9/2017 - Present)</i>	23 7/32 × 20 23/32	9168271	9168192	9168142	9168139	9168057	9168078	9168100
	<b>2442/52CU</b>	23 7/32 × 22 7/32	9040271	9040331	9040211	9040151	9047830	9072551	9127730
	<b>2446/56CU/510CU</b>	23 7/32 × 24 7/32	9040272	9040332	9040212	9040152	9047831	9072552	9127731
	<b>2446/56CU</b> <i>(4/2017 - Present)</i>	23 7/32 × 24 23/32	9152793	9152791	9152789	9152788	9152786	9152787	9152785
	<b>24410/62CU</b>	23 7/32 × 26 7/32	9040270	9040330	9040210	9040150	9047829	9072550	9127729
	<b>2452</b>	23 7/32 × 28 7/32	9040274	9040334	9040214	9040154	9047833	9072554	9127733
	<b>24510</b>	23 7/32 × 32 7/32	9040273	9040333	9040213	9040153	9047832	9072553	9127732
	<b>2462</b>	23 7/32 × 34 7/32	9040275	9040335	9040215	9040155	9047834	9072555	9127734

# 400 Series Tilt-Wash (TW) Windows (1992 to Present)

Stormwatch™ Protection (Coastal Product)

## Grilles - Prairie A

### Upper / Wood Prefinished Interior w/chisel plungers (5/2010 - Present)

**Note:**

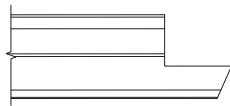
See [Accessory Guide 9033637](#).

### Interior Grille with Chisel Plungers - Prairie A / Upper/ 3/4" Wood / Prefinished Interior / Keeper Cut

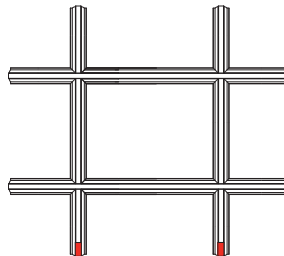
**Note:**

Upper grilles for Impact Resistant and PG Upgrade use a modified end fab to fit behind keeper for 18, 20 and 24 width. See [upper grilles](#) (26, 28, 210, 30, 34 and 38 width) and [lower grilles](#) that use the standard grille. See iQ+ for additional detail.

18, 20, 24 Width



Keeper Cut



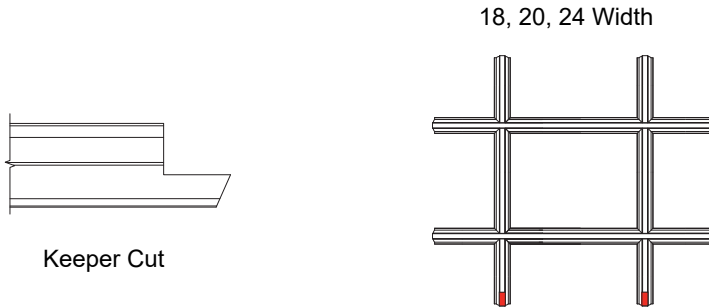
Unit No.	Dimensions (w x h)	Exterior							
		White	Terra-tone®	Sandtone	Forest Green	Canvas	Dark Bronze	Black	
		Interior							
		White	Terra-tone®	Sandtone	Forest Green	Canvas	Dark Bronze	Black	
<b>18</b>	<b>18210</b>	15 7/32 × 14 7/32	9040216	9040276	9040156	OBD	OBD	OBD	OBD
	<b>1832/310CU</b>	15 7/32 × 16 7/32	9040218	9040278	9040158	OBD	OBD	OBD	OBD
	<b>1836/42CU</b>	15 7/32 × 18 7/32	9040219	9040279	9040159	OBD	OBD	OBD	OBD
	<b>18310/46CU/410CU</b>	15 7/32 × 20 7/32	9040217	9040277	9040157	OBD	OBD	OBD	OBD
	<b>18310U</b> (9/2017 - Present)	15 7/32 × 20 23/32	9168267	9168238	9168187	OBD	OBD	OBD	OBD
	<b>1842/52CU</b>	15 7/32 × 22 7/32	9040221	9040281	9040161	OBD	OBD	OBD	OBD
	<b>1846/56CU/510CU</b>	15 7/32 × 24 7/32	9040222	9040282	9040162	OBD	OBD	OBD	OBD
	<b>1846/56CU</b> (4/2017 - Present)	15 7/32 × 24 23/32	9152664	9152662	9152660	OBD	OBD	OBD	OBD
	<b>18410/62CU</b>	15 7/32 × 26 7/32	9040220	9040280	9040160	OBD	OBD	OBD	OBD
	<b>1852</b>	15 7/32 × 28 7/32	9040224	9040284	9040164	OBD	OBD	OBD	OBD
	<b>18510</b>	15 7/32 × 32 7/32	9040223	9040283	9040163	OBD	OBD	OBD	OBD
	<b>1862</b>	15 7/32 × 34 7/32	9040225	9040285	9040165	OBD	OBD	OBD	OBD

## Grilles - Prairie A

### Interior Grille with Chisel Plungers - Prairie A / Upper/ 3/4" Wood / Prefinished Interior / Keeper Cut

**Note:**

Upper grilles for Impact Resistant and PG Upgrade use a modified end fab to fit behind keeper for 18, 20 and 24 width. See [upper grilles](#) (26, 28, 210, 30, 34 and 38 width) and [lower grilles](#) that use the standard grille. See iQ+ for additional detail.



Unit No.		Dimensions (w x h)	Exterior						
			White	Terra-tone®	Sandtone	Forest Green	Canvas	Dark Bronze	Black
			Interior						
			White	Terra-tone®	Sandtone	Forest Green	Canvas	Dark Bronze	Black
<b>20</b>	<b>20210</b>	19 7/32 × 14 7/32	9040226	9040286	9040166	OBD	OBD	OBD	OBD
	<b>2032/310CU</b>	19 7/32 × 16 7/32	9040228	9040288	9040168	OBD	OBD	OBD	OBD
	<b>2036/42CU</b>	19 7/32 × 18 7/32	9040229	9040289	9040169	OBD	OBD	OBD	OBD
	<b>20310/46CU/410CU</b>	19 7/32 × 20 7/32	9040227	9040287	9040167	OBD	OBD	OBD	OBD
	<b>20310U</b> <i>(9/2017 - Present)</i>	19 7/32 × 20 23/32	9168268	9168239	9168188	OBD	OBD	OBD	OBD
	<b>2042/52CU</b>	19 7/32 × 22 7/32	9040231	9040291	9040171	OBD	OBD	OBD	OBD
	<b>2046/56CU/510CU</b>	19 7/32 × 24 7/32	9040232	9040292	9040172	OBD	OBD	OBD	OBD
	<b>2046/56CU</b> <i>(4/2017 - Present)</i>	19 7/32 × 24 23/32	9152724	9152722	9152720	OBD	OBD	OBD	OBD
	<b>20410/62CU</b>	19 7/32 × 26 7/32	9040230	9040290	9040170	OBD	OBD	OBD	OBD
	<b>2052</b>	19 7/32 × 28 7/32	9040234	9040294	9040174	OBD	OBD	OBD	OBD
	<b>20510</b>	19 7/32 × 32 7/32	9040233	9040293	9040173	OBD	OBD	OBD	OBD
<b>2062</b>	19 7/32 × 34 7/32	9040235	9040295	9040175	OBD	OBD	OBD	OBD	



# 400 Series Tilt-Wash (TW) Windows (1992 to Present)

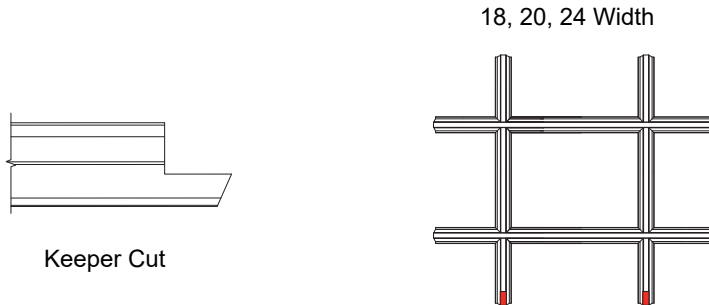
Stormwatch™ Protection (Coastal Product)

## Grilles - Prairie A

### Interior Grille with Chisel Plungers - Prairie A / Upper/ 3/4" Wood / Prefinished Interior / Keeper Cut

**Note:**

Upper grilles for Impact Resistant and PG Upgrade use a modified end fab to fit behind keeper for 18, 20 and 24 width. See [upper grilles](#) (26, 28, 210, 30, 34 and 38 width) and [lower grilles](#) that use the standard grille. See iQ+ for additional detail.



Unit No.	Dimensions (w x h)	Exterior							
		White	Terra-tone®	Sandtone	Forest Green	Canvas	Dark Bronze	Black	
		Interior							
		White	Terra-tone®	Sandtone	Forest Green	Canvas	Dark Bronze	Black	
<b>24</b>	<b>24210</b>	23 7/32 × 14 7/32	9040236	9040296	9040176	OBD	OBD	OBD	OBD
	<b>2432/310CU</b>	23 7/32 × 16 7/32	9040238	9040298	9040178	OBD	OBD	OBD	OBD
	<b>2436/42CU</b>	23 7/32 × 18 7/32	9040239	9040299	9040179	OBD	OBD	OBD	OBD
	<b>24310/46CU/410CU</b>	23 7/32 × 20 7/32	9040237	9040297	9040177	OBD	OBD	OBD	OBD
	<b>24310U</b> <i>(9/2017 - Present)</i>	23 7/32 × 20 23/32	9168269	9168240	9168189	OBD	OBD	OBD	OBD
	<b>2442/52CU</b>	23 7/32 × 22 7/32	9040241	9040301	9040181	OBD	OBD	OBD	OBD
	<b>2446/56CU/510CU</b>	23 7/32 × 24 7/32	9040242	9040302	9040182	OBD	OBD	OBD	OBD
	<b>2446/56CU</b> <i>(4/2017 - Present)</i>	23 7/32 × 24 23/32	9152794	9152792	9152790	OBD	OBD	OBD	OBD
	<b>24410/62CU</b>	23 7/32 × 26 7/32	9040240	9040300	9040180	OBD	OBD	OBD	OBD
	<b>2452</b>	23 7/32 × 28 7/32	9040244	9040304	9040184	OBD	OBD	OBD	OBD
	<b>24510</b>	23 7/32 × 32 7/32	9040243	9040303	9040183	OBD	OBD	OBD	OBD
	<b>2462</b>	23 7/32 × 34 7/32	9040245	9040305	9040185	OBD	OBD	OBD	OBD

## Grilles - Prairie A

Interior Grille Parts			
Fastener - Grille Plunger			
		<b>Order No.</b>	
		1630038	
Fastener - Grille Plunger (Impact Resistant)			
	<b>Note:</b> Use for grilles applied to Stormwatch units manufactured after 9/20/09. Use for grilles applied to TW. DHP and TWT manufactured after 5/10/10.	<b>Order No.</b>	
		1344401	
Fastener - Grille (1985)			
	<b>Note:</b> Use this grille clip for all custom wood grilles.	<b>Color</b>	<b>Order No.</b>
		White	1974310
		Terratone®	2601210
		Sandtone	8154120
		Forest Green	9046244

Installation Guide/Aid		
<b>Note:</b> Grilles include fasteners. <a href="#">See Accessory Guide 9033637.</a>		
		<b>Order No.</b>
		9033637

# 400 Series Tilt-Wash (TW) Windows (1992 to Present)

Stormwatch™ Protection (Coastal Product)

## Frames

### Frames

#### Frames

##### Frames (DP Upgrade and Impact Resistant) (4/2007 - Present)

**Note:**

DP upgrade and impact resistant frames are available OBD. Specify year of product (4/2007 - 3/2017 **or** 4/2017 - Present) for 46 even and 56 cottage sizes as they are unique depending on the vintage.

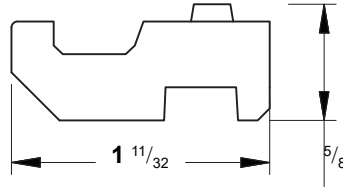
##### Frames (DP Upgrade and Impact Resistant) (2004 - 3/2007)

**Note:**

DP upgrade and impact resistant frames are not available for these vintages. Use current vintage frames for replacement.

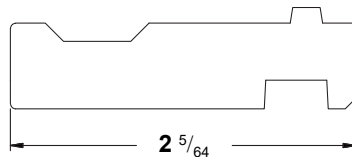
**Stops (2004 - Present)**

**Stop - Head (2004 - Present)**



Unit No.	Length	Natural Wood	White	Terra-tone®	Sandtone	Forest Green	Canvas	Dark Bronze	Black
TW18	21 <sup>9</sup> / <sub>16</sub>	1642210	1642240	9201188	9201146	9201189	9201206	9201226	9201243
TW20	25 <sup>9</sup> / <sub>16</sub>	1642211	1642241	9201190	9201147	9201191	9201207	9201227	9201244
TW24	29 <sup>9</sup> / <sub>16</sub>	1642212	1642242	9201192	9201148	9201193	9201208	9201228	9201245
TW26	31 <sup>9</sup> / <sub>16</sub>	1642217	1642252	9201202	9201153	9201203	9201213	9201233	9201250
TW28	33 <sup>9</sup> / <sub>16</sub>	1642213	1642243	9201194	9201149	9201195	9201209	9201229	9201246
TW210	35 <sup>9</sup> / <sub>16</sub>	1642218	1642253	9201204	9201154	9201205	9201214	9201234	9201251
TW30	37 <sup>9</sup> / <sub>16</sub>	1642214	1642244	9201196	9201150	9201197	9201210	9201230	9201247
TW34	41 <sup>9</sup> / <sub>16</sub>	1642215	1642245	9201198	9201151	9201199	9201211	9201231	9201248
TW38	45 <sup>9</sup> / <sub>16</sub>	1642216	1642246	9201200	9201152	9201201	9201212	9201232	9201249

**Inside Stop - Sill / Tall / 2 1/16" (4/2007 - Present)**



Unit No.	Length	Natural Wood	Prefinished White Interior	Terra-tone®	Sandtone	Forest Green	Canvas	Dark Bronze	Black
TW18	21 <sup>9</sup> / <sub>16</sub>	1690629	1690638						
TW20	25 <sup>9</sup> / <sub>16</sub>	1690630	1690639						
TW24	29 <sup>9</sup> / <sub>16</sub>	1690631	1690640						
TW26	31 <sup>9</sup> / <sub>16</sub>	1690634	1690643						
TW28	33 <sup>9</sup> / <sub>16</sub>	1690632	1690641						
TW210	35 <sup>9</sup> / <sub>16</sub>	1690635	1690644						
TW30	37 <sup>9</sup> / <sub>16</sub>	1690633	1690642						
TW34	41 <sup>9</sup> / <sub>16</sub>	1690636	1690645						
TW38	45 <sup>9</sup> / <sub>16</sub>	1690637	1690646						

**Inside Stop - Sill / Tall 2 1/16" (2004 - 3/2007)**

**Note:**

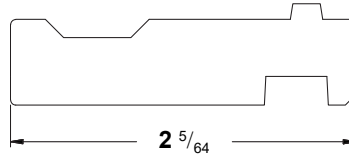
No longer available. Use 4/2007 to present for replacement. For DP upgrade units also replace side stop. For IR units, also replace side stops and lower corner bracket with flipout wind load bracket.

**Stops - Sill (DP Upgrade and Impact Resistant) (4/2007 - Present)**

**Inside Stop - Sill / Tall / 2 1/16" (4/2007 - Present)**

## 400 Series Tilt-Wash (TW) Windows (1992 to Present)

### Stops - Sill (DP Upgrade and Impact Resistant) (4/2007 - Present)



Unit No.	Dimensions	Natural Wood	Prefinished White Interior	Canvas	Dark Bronze
TW18	21 <sup>9</sup> / <sub>16</sub>	1690629	1690638	9072054	9073827
TW20	25 <sup>9</sup> / <sub>16</sub>	1690630	1690639	9072055	9073828
TW24	29 <sup>9</sup> / <sub>16</sub>	1690631	1690640	9072056	9073829
TW26	31 <sup>9</sup> / <sub>16</sub>	1690634	1690643	9072057	9073832
TW28	33 <sup>9</sup> / <sub>16</sub>	1690632	1690641	9072058	9073830
TW210	35 <sup>9</sup> / <sub>16</sub>	1690635	1690644	9072062	9073833
TW30	37 <sup>9</sup> / <sub>16</sub>	1690633	1690642	9072059	9073831
TW34	41 <sup>9</sup> / <sub>16</sub>	1690636	1690645	9072060	9073834
TW38	45 <sup>9</sup> / <sub>16</sub>	1690637	1690646	9072061	9073835

#### Inside Stop - Sill / Tall 2 1/16" (2004 - 3/2007)

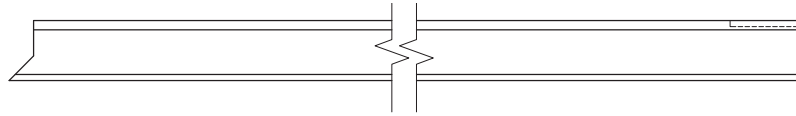
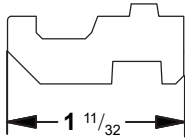
**Note:**

No longer available. Use 4/2007 to present for replacement. For DP upgrade units also replace side stop. For IR units, also replace side stops and lower corner bracket with flipout wind load bracket.

## Frames

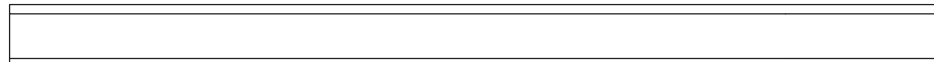
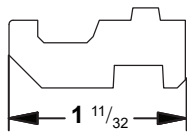
### Stops - Side

#### Stop - Side / Upper (2007 - 7/2018)



Unit No.	Length	Natural Wood		Vinyl Wrapped (PVC) White	
		Left	Right	Left	Right
210E	15 1/2	OBD/Configured	OBD/Configured	OBD/Configured	OBD/Configured
310C/32E	17 1/2	OBD/Configured	OBD/Configured	OBD/Configured	OBD/Configured
42C/36E	19 1/2	OBD/Configured	OBD/Configured	OBD/Configured	OBD/Configured
410C/46C/310E	21 1/2	OBD/Configured	OBD/Configured	OBD/Configured	OBD/Configured
52C/42E	23 1/2	OBD/Configured	OBD/Configured	OBD/Configured	OBD/Configured
56C	25 1/2	OBD/Configured	OBD/Configured	OBD/Configured	OBD/Configured
46E	25 1/2	OBD/Configured	OBD/Configured	OBD/Configured	OBD/Configured
410E	27 1/2	OBD/Configured	OBD/Configured	OBD/Configured	OBD/Configured
52E	29 1/2	OBD/Configured	OBD/Configured	OBD/Configured	OBD/Configured
56E	31 1/2	OBD/Configured	OBD/Configured	OBD/Configured	OBD/Configured
510E	33 1/2	OBD/Configured	OBD/Configured	OBD/Configured	OBD/Configured
62E	35 1/2	OBD/Configured	OBD/Configured	OBD/Configured	OBD/Configured

#### Stop - Side / Lower (2007 - 7/2018)



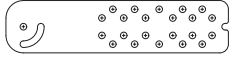
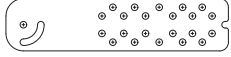
Unit No.	Length	Natural Wood	Vinyl Wrapped (PVC) White
210E	13 7/32	OBD/Configured	OBD/Configured
32E	15 7/32	OBD/Configured	OBD/Configured
36E	17 7/32	OBD/Configured	OBD/Configured
310E	19 7/32	OBD/Configured	OBD/Configured
42E	21 7/32	OBD/Configured	OBD/Configured
310C/46E	23 7/32	OBD/Configured	OBD/Configured
42C/410E	25 7/32	OBD/Configured	OBD/Configured
46C/52E	27 7/32	OBD/Configured	OBD/Configured
56E	29 7/32	OBD/Configured	OBD/Configured
410C/510E	31 7/32	OBD/Configured	OBD/Configured
52C/62E	33 7/32	OBD/Configured	OBD/Configured
56C	35 7/32	OBD/Configured	OBD/Configured

## 400 Series Tilt-Wash (TW) Windows (1992 to Present)

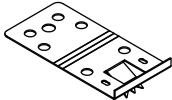
*Stormwatch™ Protection (Coastal Product)*

### Frames

#### Jamb Clip Kits (Impact Resistant)

Jamb Clip Kit - 6" (Impact Resistant)				
	Kit includes:	Quantity	Clip Dimensions	Order No.
	<p>Jamb clips and screws for Tilt-Wash Double-Hung IR and Upgrade windows, Tilt-Wash Double-Hung Transom IR and Upgrade windows, Circle Top windows, CTQ windows, Circle windows and Oval windows.</p> <p><b>Note:</b> For use with pre-applied extension jambs. Made of 304 annealed stainless steel, making it compatible with ACQ treated lumber. These clips are approved for use with all Stormwatch products and for Miami-Dade County. The clips are pre-punched with holes for unit installation in wall thicknesses from 4-9/16" to 7-1/8". Additional pre-punched holes are available to compensate for wall thickness variations.</p>	14 clips	<b>6 3/8" × 1 1/2"</b>	9014870
		<b>Jamb Clips - 6" (Impact Resistant)</b>		
		500 clips	<b>6 3/8" × 1 1/2"</b>	1376707

#### Installation Clip Kits (Impact Resistant)

Installation Clip Kit (Impact Resistant)		
	Kit includes:	Order No.
	<p>(14) clips (22) 8 x 5/8 clip screws (6) 8 x 1-1/4 screws</p>	1611986

#### Jamb Liner - Side (Impact Resistant)

Jamb Liner - Side (Impact Resistant)
<p><b>Note:</b> Uses standard <a href="#">jamb liner</a>.</p>

## Frames

### Frame Hardware (Stormwatch)

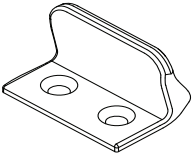
**Note:**

Colors not shown available by description.


#### Screw - Bracket / Outer Frame Member Bracket (Stormwatch)

Description	White	Terra-tone®	Sandtone	Forest Green	Canvas	Dark Bronze
#8-15 x 1-1/4 Typ A PH FL 18-8 SS	3629085	3629087	3629086	3629088	9072073	9073802
#8-15 x 3 Typ A PH FL 18-8 SS	3629089	3629091	3629090	3629092	9072072	9073803
	<b>Black</b>					
#8-15 x 1-1/4 Typ A PH FL 18-8 SS	9129190					
#8-15 x 3 Typ A PH FL 18-8 SS	9129191					

#### Bracket with Screws - Exterior Sill (Stormwatch) (4/2007 - Present)

	<b>Color</b>	<b>Order No.</b>
	White	1690672
	Terratone®	2743030
	Sandtone	1166191
	Forest Green	0376241
	Black	9133897
	Dark Bronze	9133898
Canvas	9133899	

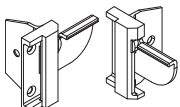
#### Bracket - Frame Tie (4/2007 - Present)

	<b>Order No.</b>
	1690604

#### Bracket with Screws - Outer Frame Member (Stormwatch)

	<b>Note:</b> Used to replace previous vintages.	<b>Color</b>	<b>Order No.</b>
		White	1630139
		Terratone®	2743023
		Sandtone	1166002
		Forest Green	0375102
		Black	9133908
		Dark Bronze	9133909
	Canvas	9133910	

#### Bracket - Wind Load Kit (4/2007 - Present)

	<b>Kit includes:</b> (1) right hand wind load bracket (1) left hand wind load bracket	<b>Dimensions</b>	<b>Color</b>	<b>Order No.</b>
		1 11/32 x 2 23/32	Stone	2743028
			White	1690670



# 400 Series Tilt-Wash (TW) Windows (1992 to Present)

Stormwatch™ Protection (Coastal Product)

## Joining Components

### Joining Components

#### Joining Kit - LVL Reinforced

**Note:**

See [Joining Guide 0005382](#) for 1-Way join.

See [Joining Guide 0005384](#) for 2-Way join.

#### Joining Kit - LVL / One-Way / 4 9/16" Wall

**Kit Includes:**

- |   |                                 |
|---|---------------------------------|
| (1) Sill gusset plate                               | (6) #10 2-1/2" screws           |
| (1) Head gusset plate                               | (4) #10 18-8 trim washers       |
| (1) Aluminum trim strip with 3/4" LVL joining strip | (3) #10-12 x 3" screws          |
| (1) Exterior trim strip                             | (14) #8 x 1" sill gusset screws |
| (1) Head flashing                                   | (8) #8 x 1-3/8" bracket screws  |

Unit No	Length	White	Terra-tone®	Sandtone	Forest Green	Canvas	Dark Bronze	Black
TW62	6'	1601183	2700211	1100001	0300133	9076748	9076980	9129371
TW80	8'	1601196	2700199	1101134	0300216	9076755	9076987	9129378

#### Joining Kit - LVL / One-Way / 6 9/16" Wall

**Kit Includes:**

- |   |                         |                           |
|---|-------------------------|---------------------------|
| (2) Joining brackets                                | (1) Exterior trim strip | (4) #10 18-8 trim washers |
| (1) Aluminum trim strip with 3/4" LVL joining strip | (1) Head flashing       | (8) #8-18 x 1-3/8" screws |
|   | (2) #10-12x3" screws    | (6) #10 x 2-1/2" screws   |

Unit No	Length	White	Terra-tone®	Sandtone	Forest Green	Canvas	Dark Bronze	Black
TW62	6'	1601193	2700196	1101131	0300213	9076752	9076984	9129375
TW80	8'	1601194	2700197	1101132	0300214	9076753	9076985	9129376
TW100	10'	1601195	2700198	1101133	0300215	9076754	9076986	9129377

#### Joining Kit - LVL Reinforced / 2-Way / 6 9/16" Wall

**Kit Includes:**

- |  |                                  |
|--|----------------------------------|
| (2) Joining brackets                       | (4) #10-12 x 3" screws           |
| (1) Trim strip with 3/4" LVL joining strip | (14) #8-15 x 3" screws           |
| (4) Foam void fillers                      | (16) #8-12 x 3/4" bracket screws |
| (1) Exterior trim strip                    | (3) #8-18 x 1-3/8" screws        |
| (12) #10 x 2-1/2 screws                    |                                  |

Unit No.	Length	White	Terra-tone®	Sandtone	Forest Green	Canvas	Dark Bronze	Black
TW62	6'	1601184	2700212	1100002	0300134	9076749	9076981	9129372
TW80	8'	1601185	2700213	1100003	0300135	9076750	9076982	9129373
TW100	10'	1601186	2700214	1100004	0300136	9076751	9076983	9129374

#### Casing - LVL

## Joining Components

---

	Length	Color	2 <sup>3</sup> / <sub>8</sub> "
	74"	Pine	1916005
		White (Vinyl Wrapped)	1916006
		White (Painted)	9051698
		Terratone® (Painted)	9051700
		Sandtone (Painted)	9051699

# 400 Series Tilt-Wash (TW) Windows (1992 to Present)

Service Replacement

## Service Replacement Only Parts

Service Replacement

## Service Replacement Only Parts

### Service Replacement Only Parts

**Note:**

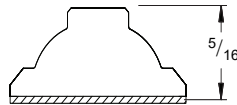
This section is specifically designed for parts that should only be ordered if a Territory Service Manager/Service Provider Company has requested them to be ordered or if the customer agrees to also pay for a non-warranty repair/replace service job (subject to availability) for these parts to be installed. We do not recommend anyone other than a trained AW employee or Service Provider install these parts due to the complexity of installation, modifications required for installation and/or requirement of special tools.

### Exterior Grilles - HDN

#### Exterior Grille - HDN / Lineal / PVC

**Note:**

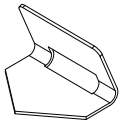
These grilles can only be ordered by a Territory Service Manager/Service Provider Company.



Length	White			Terratone®			Sandtone		
	3/4"	7/8"	1 1/8"	3/4"	7/8"	1 1/8"	3/4"	7/8"	1 1/8"
60"	2322030	2322034	2322038	N/A	N/A	N/A	N/A	N/A	N/A
84"	2322031	2322035	2322039	N/A	N/A	N/A	N/A	N/A	N/A

### Grille Clip

#### Grille Clip



Quantity	Order No.
1	9045366

## Service Replacement Only Parts

<b>Sash Parts</b>				
<b>Liner - 5/8" / Rail</b>				
	<b>Note:</b> Use only if sash does not have glass.	<b>Unit No.</b>	<b>Dimensions</b>	<b>Order No.</b>
		TW18	16 1/32	1650150
		TW20	20 1/32	1650151
		TW24	24 1/32	1650152
		TW26	26 1/32	1650148
		TW28	28 1/32	1650153
		TW210	30 1/32	1650149
		TW30	32 1/32	1650154
		TW34	36 1/32	1650155
	TW38	40 1/32	1650156	
<b>Weatherstrip - Bulb / Bottom Rail</b>				
	<b>Note:</b> May be used in conjunction with foam weatherstrip.	<b>Length</b>	<b>Color</b>	<b>Order No.</b>
		72"	White	1631516
			Terratone®	2731516

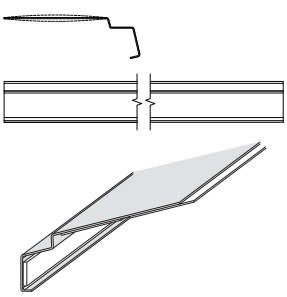
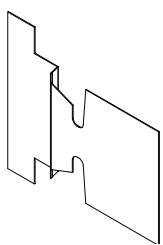
<b>Balancer Parts</b>		
<b>Shoe - Balancer</b>		
<b>Note:</b> See <a href="#">Service Guide 0005176</a> for shoe replacement. Order quantity of two when ordering replacements for a unit manufactured prior to November of 2016.		
		<b>Order No.</b>
		1643017

<b>Frame Hardware (Stormwatch)</b>				
<b>Bracket with Screws - Sill (Stormwatch) (2004 - 3/2007)</b>				
		<b>Color</b>	<b>Order No.</b>	
		White	N/A	
		Terratone®	N/A	
		Sandtone	1166001	
		Forest Green	0375101	
<b>Bracket - Wind Load Kit (4/2007 - Present)</b>				
	<b>Kit includes:</b> (1) right hand wind load bracket (1) left hand wind load bracket	<b>Dimensions</b>	<b>Color</b>	<b>Order No.</b>
		1 11/32 X 2 23/32	Stone	2743028
			White	1690670

# 400 Series Tilt-Wash (TW) Windows (1992 to Present)

Service Replacement

## Service Replacement Only Parts

Frame Parts				
<b>Sill Cover - Vinyl</b>				
		<b>Length</b>	<b>Color</b>	<b>Order No.</b>
		72"	White	1610882
			Terratone®	2711362
			Sandtone	1141262
			Forest Green	0314702
			Canvas	OBD
			Dark Bronze	9205295
			Black	9205294
<b>Template - End Fabrication</b>				
				<b>Order No.</b>
				9069358

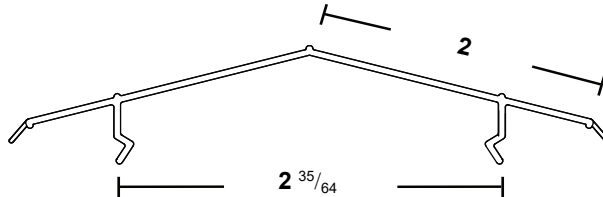
## Service Replacement Only Parts

### Trim Strips - Mull Post

**Note:**

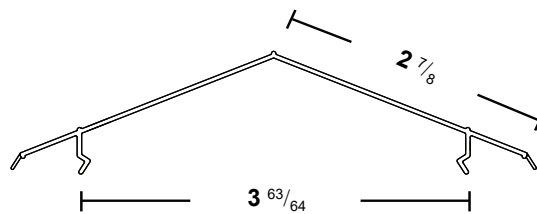
These items require service approval to order.

### Trim Strip - Angle Bay 30° / Mull Post



Unit No.	Length	White	Terratone®	Sandtone	Forest Green	Canvas	Dark Bronze	Black
DH310	48 3/4	1633770	2745601	1152311	0331770	9087225	9087262	9129309
DH42	52 3/4	1633771	2745602	1152312	0331771	9087226	9087263	9129310
DH46	56 3/4	1633772	2745603	1152313	0331772	9087227	9087264	9129311
DH410	60 3/4	1633777	9051370	9051371	9051372	9087236	9087273	9129316
DH52	64 3/4	1633773	2745604	1152314	0331773	9087228	9087265	9129312
DH56	68 3/4	1633774	2745605	1152315	0331774	9087229	9087266	9129313
DH510	72 3/4	1633778	9051373	9051374	9051375	9087237	9087274	9129317
DH62	76 3/4	1633775	2745606	1152316	0331775	9087230	9087267	9129314
DH80	98 1/8	1633776	2745607	1152317	0331776	9087231	9087268	9129315

### Trim Strip - Angle Bay 45° / Mull Post



Unit No.	Length	White	Terratone®	Sandtone	Forest Green	Canvas	Dark Bronze	Black
DH310	48 3/4	1633780	2735901	1152111	0331760	9087218	9087255	9129302
DH42	52 3/4	1633781	2735902	1152112	0331761	9087219	9087256	9129303
DH46	56 3/4	1633782	2735903	1152113	0331762	9087220	9087257	9129304
DH410	60 3/4	1633787	9051376	9051377	9051378	9087238	9087275	9129318
DH52	64 3/4	1633783	2735904	1152114	0331763	9087221	9087258	9129305
DH56	68 3/4	1633784	2735905	1152115	0331764	9087222	9087259	9129306
DH510	72 3/4	1633788	9051379	9051380	9051381	9087239	9087276	9129319
DH62	76 3/4	1633785	2735906	1152116	0331765	9087223	9087260	9129307
DH80	98 1/8	1633786	2735907	1152117	0331766	9087224	9087261	9129308

## 400 Series Tilt-Wash (TW) Windows (1992 to Present)

*Service Replacement*

### Service Replacement Only Parts

Cartons					
<b>Note:</b> Ship via van only.					
Cartons - Unit					
Unit No.	Order No.	Unit No.	Order No.	Unit No.	Order No.
DH18210	4687010	TW26210	4687175	DH30210	4687340
DH1832	4687015	TW2632	4687180	DH3032	4687345
TW1836	4687020	TW2636	4687185	TW3036	4687350
DH18310	4687025	TW26310	4687190	DH30310	4687355
DH1842	4687030	TW2642	4687195	DH3042	4687360
DH1846	4687035	TW2646	4687200	DH3046	4687365
TW18410	4687040	TW26410	4687205	DH30410	4687370
DH1852	4687045	TW2652	4687210	DH3052	4687375
DH1856	4687050	TW2656	4687215	DH3056	4687380
TW18510	4687055	TW26510	4687220	TW30510	4687385
DH1862	4687060	TW2662	4687225	DH3062	4687390
DH20210	4687065	DH28210	4687230	DH34210	4687395
DH2032	4687070	DH2832	4687235	DH3432	4687400
TW2036	4687075	TW2836	4687240	TW3436	4687405
DH20310	4687080	DH28310	4687245	DH34310	4687410
DH2042	4687085	DH2842	4687250	DH3442	4687415
DH2046	4687090	DH2846	4687255	DH3446	4687420
TW20410	4687095	TW28410	4687260	TW34410	4687425
DH2052	4687100	DH2852	4687265	DH3452	4687430
DH2056	4687105	DH2856	4687270	DH3456	4687435
TW20510	4687110	TW28510	4687275	TW34510	4687440
DH2062	4687115	DH2862	4687280	DH3462	4687445
DH24210	4687120	TW210210	4687285	DH38210	4687450
DH2432	4687125	TW21032	4687290	DH3832	4687455
TW2436	4687130	TW21036	4687295	TW3836	4687460
DH24310	4687135	TW210310	4687300	DH38310	4687465
DH2442	4687140	TW21042	4687305	DH3842	4687470
DH2446	4687145	TW21046	4687310	DH3846	4687475
TW24410	4687150	TW210410	4687315	TW38410	4687480
DH2452	4687155	TW21052	4687320	DH3852	4687485
DH2456	4687160	TW21056	4687325	DH3856	4687490
TW24510	4687165	TW210510	4687330	TW38510	4687495
DH2462	4687170	TW21062	4687335	DH3862	4687500

## Service Replacement Only Parts

---

<b>Cartons - Unit / 2 PC</b>					
<b>Unit No.</b>	<b>Order No.</b>	<b>Unit No.</b>	<b>Order No.</b>	<b>Unit No.</b>	<b>Order No.</b>
<b>TW1872</b>	4687534	<b>TW3072</b>	4687540	<b>TW2676</b>	4687546
<b>TW2072</b>	4687535	<b>TW3472</b>	4687541	<b>TW2876</b>	4687547
<b>TW2472</b>	4687536	<b>TW3872</b>	4687542	<b>TW21076</b>	4687548
<b>TW2672</b>	4687537	<b>TW1876</b>	4687543	<b>TW3076</b>	4687549
<b>TW2872</b>	4687538	<b>TW2076</b>	4687544	<b>TW3476</b>	4687550
<b>TW21072</b>	4687539	<b>TW2476</b>	4687545	<b>TW3876</b>	4687551



## 400 Series Tilt-Wash (TW) Windows (1992 to Present)

*Service Replacement*

### Service Replacement Only Parts

#### Bulletins

- 2023** Factory applied combination units (“Performance Panel”) introduced. See [Dealer News 33.23](#)
- 2017** Factory applied opening control device introduced. See [Dealer Bulletin 56-17](#)

## Service Replacement Only Parts

**Bulletin 33.23** (October 2023)



### ANDERSEN® 400 SERIES WINDOWS – FACTORY-APPLIED ENERGY PERFORMANCE PANELS NOW AVAILABLE

DEALER NEWS 33.23

OCTOBER 20, 2023

CALISTA WIEBER, PRODUCT MANAGER

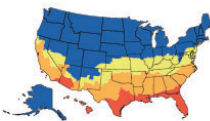


Andersen is pleased to announce the factory-applied Energy Performance Panel on 400 Series Tilt-Wash Double-Hung Full-Frame windows achieves greater energy efficiency and meets ENERGY STAR® v. 7.0 performance criteria in Northern climate zones. This combination glass and insect screen panel includes an aluminum frame construction that features a fixed upper glass panel and an operable lower glass panel combined with an insect screen.

The factory-applied 400 Series Energy Performance Panel is available on standard size, equal sash, 400 Series Tilt-Wash Double-Hung Full-Frame units with standard performance (PG40) or PG Upgrade (PG50) in all seven standard exterior color options for 400 Series Tilt-Wash windows.

#### PERFORMANCE

- NFRC certified and meets ENERGY STAR® v. 7.0 performance criteria throughout the U.S. when factory installed. The colors of the map and chart below show the climate zones where the 400 Series Tilt-Wash Double-Hung Full-Frame window meets ENERGY STAR performance criteria with and without the factory-applied Energy Performance Panel
- Can improve Sound Transmission Glass (STC) and Outdoor Indoor Transmission Class (OITC) ratings



- Northern
- North-Central
- South-Central
- Southern

PRODUCT	DUAL PANE	CLIMATE ZONE COMPLIANCE WITH ENERGY PERFORMANCE PANELS FACTORY APPLIED			CLIMATE ZONE COMPLIANCE WITHOUT ENERGY PERFORMANCE PANELS		
		U-FACTOR	SHGC	ENERGY STAR® V. 7.0 COMPLIANCE	U-FACTOR	SHGC	ENERGY STAR® V. 7.0 COMPLIANCE
DOUBLE-HUNG WINDOW – NO GRILLES	Low-E4®	0.21	0.30	●●○○○	0.30	0.31	○○○○○
	Low-E4 with HeatLock® Technology	0.19	0.29	●●○○○	0.26	0.31	○○○○○
	PassiveSun® with HeatLock Technology	0.20	0.42	●○○○○	0.27	0.47	○○○○○
	SmartSun™	0.21	0.21	●●●●●	0.29	0.20	○○○●●
DOUBLE-HUNG WINDOW – FULL DIVIDED LIGHT GRILLES	Low-E4®	0.22	0.27	●●○○○	0.30	0.28	○○○○○
	Low-E4 with HeatLock® Technology	0.21	0.26	●●○○○	0.28	0.27	○○○○○
	PassiveSun® with HeatLock Technology	0.21	0.37	●●○○○	0.28	0.42	○○○○○
	SmartSun™	0.22	0.19	●●●●●	0.30	0.19	○○○●●
DOUBLE-HUNG WINDOW – SIMULATED DIVIDED LIGHT GRILLES	Low-E4®	0.21	0.27	●●○○○	0.29	0.28	○○○○○
	Low-E4 with HeatLock® Technology	0.19	0.26	●●○○○	0.26	0.27	○○○○○
	PassiveSun® with HeatLock Technology	0.20	0.37	●●○○○	0.26	0.42	●○○○○
	SmartSun™	0.21	0.19	●●●●●	0.29	0.19	○○○●●
	SmartSun with HeatLock Technology	0.19	0.18	●●●●●	0.25	0.18	○○○●●

\*Andersen® and all other marks where denoted are trademarks of Andersen Corporation. ©2023 Andersen Corporation. All rights reserved.

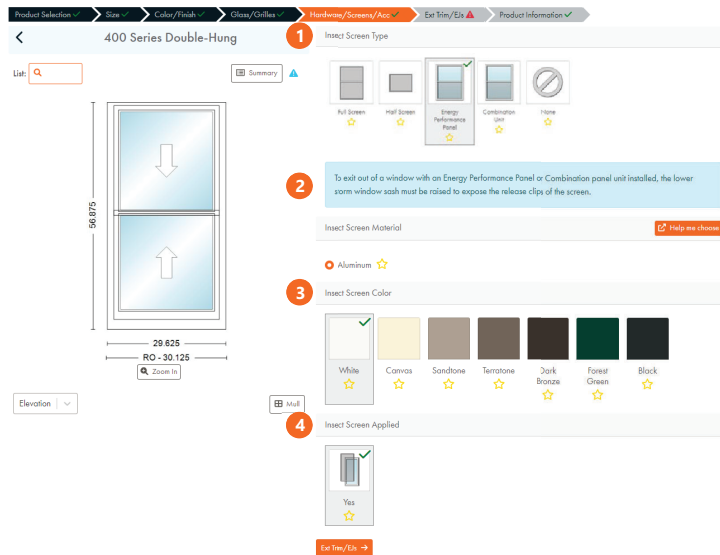
### Bulletin 33.23 (October 2023)



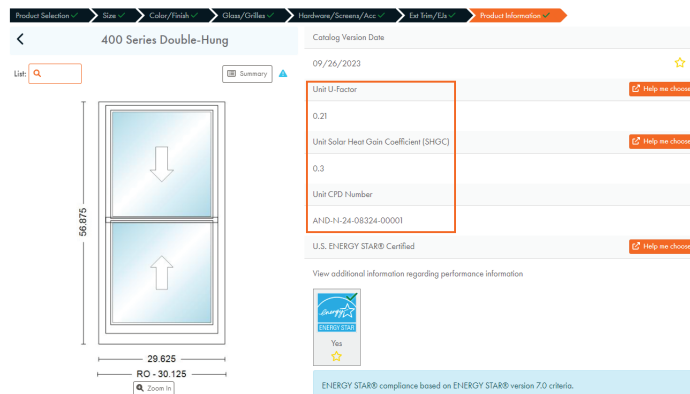
### ORDERING GUIDELINES

Follow the coordinated steps outlined below in iQ+ tool to make sure that the increased energy efficiency is realized on the NFRC label on a 400 Series Tilt-Wash Double-Hung Full-Frame unit with equal sash:

- 1 On the *Hardware/Screens/Acc* page, scroll to the *Insect Screen Type* heading to find the Energy Performance Panel
- 2 Once selected, a warning about egress will pop up, see page 3 for more information on egress
- 3 The *Insect Screen Color* references the entire Energy Performance Panel and will auto-fill with the exterior color of the window
- 4 Factory installation will automatically be selected and NFRC ratings will be adjusted



The *Product Information* page will reflect the updated Unit U-Factor, Unit Solar Heat Gain Coefficient, and CPD Number



\*Andersen\* and all other marks where denoted are trademarks of Andersen Corporation.  
©2023 Andersen Corporation. All rights reserved.

## Service Replacement Only Parts

**Bulletin 33.23** (October 2023)



### EGRESS IMPLICATIONS

The Energy Performance Panel achieves egress through intuitive insect screen removal to the interior when all sashes are fully open and insect screen clips are disengaged.



### FREQUENTLY ASKED QUESTIONS

**Q: Does ordering Energy Performance Panels impact the overall lead times?**

A: There will be extended lead times for these units. Please reference the lead time calculator for the most accurate information.

**Q: What windows are Energy Performance Panels available on?**

A: Energy Performance Panels are only available on 400 Series Tilt-Wash Double-Hung Full-Frame windows with equal sash.

**Q: Is the Energy Performance Panel available on any other window product (i.e. 400 Series Casement, 200 Series Double-Hung, 400 Series Woodwright® windows, etc.)?**

A: No. Energy Performance Panels are only available on 400 Series Tilt-Wash Double-Hung Full-Frame windows that meet specified requirements.

**Q: Can I order Energy Performance Panels in custom or monumental sizes?**

A; No, Energy Performance Panels are not available in custom or monumental sizes.

**Q: Can I order Energy Performance Panels on joined and integral units?**

A: Yes, as long as the individual unit meets all other requirements.

**Q: Are these available in Stormwatch® protection (Impact)?**

A: No, but they are available in PG Upgrade of PG50.

**Q: Do these units work well with grilles?**

A: Yes, please note that with Full Divided Light grilles, there may be interference between the Energy Performance Panel handles and the grilles from the window unit's upper sash.

\*Andersen" and all other marks where denoted are trademarks of Andersen Corporation.  
©2023 Andersen Corporation. All rights reserved.

### Bulletin 33.23 (October 2023)



**Q: What colors will the Energy Performance Panels be available in?**

A: The Energy Performance Panels will be available in all standard exterior colors that is currently available with 400 Series Tilt-Wash Double-Hung Full-Frame windows.

**Q: If the factory-applied Energy Performance Panel is quoted in the iQ+ tool with a 400 Series Tilt-Wash Double-Hung Full-Frame window unit, will the iQ+ tool provide the relevant U-Factor & SHGC?**

A: Yes, the iQ+ tool will show the overall U-Factor & SHGC of the factory-applied Energy Performance Panel combined with window unit if quoted together.

**Q: Does the Glass on the Energy Performance Panel have a Low-E4® coating or is it clear?**

A: The Energy Performance Panel glass is only available with a clear coating.

#### MARKETING MATERIALS

- The Energy Performance Panel Info Sheet can be found [here](#) and within the Go App under *Product Knowledge > 400 Series > Info Sheets*
- Portable 400 Series Tilt-Wash Double-Hung Full-Frame windows with factory-applied Energy Performance Panels will be available to purchase shortly after launch on the Go App under *Resources > Display Order Forms > Sales Samples*

## Service Replacement Only Parts

### Bulletin 56-17 (August 2017)



#### Andersen® 400 Series & 200 Series Tilt -Wash Window Flush-mount Window Opening Control Device (WOCD) Launch

Dealer Bulletin 57-17  
August 2017  
Shawn Aherns, Sr. Marketing Manager

Andersen is pleased to announce the availability of a factory-applied, flush-mounted Window Opening Control Device (WOCD) for 400 Series tilt-wash double-hung and 200 Series tilt-wash double-hung units shipping on or after August 25, 2017. This new WOCD is integrated into the sash and is available at the same installed price as the current face-mounted WOCD. The current face-mounted WOCD will remain the field installation solution for 400 Series and 200 Series tilt-wash double-hung units.

#### Details:

400 Series tilt-wash double-hung and 200 Series tilt-wash double-hung units ordered with factory-applied WOCDs will receive the new flush-mount WOCD on all factory shipments on or after August 25, 2017,

New WOCDs can be specified in white, stone or black colors for 400 Series tilt-wash double-hung units. 200 Series tilt-wash double-hung units are provided with white or stone WOCDs.

**New Integrated WOCD**  
(factory installation)



**Current WOCD**  
(field installation)



The WOCDs are located on both stiles just above the checkrail of the upper sash.

This change to a flush-mount WOCD is exclusively for 400 Series and 200 Series tilt-wash double-hung units ordered factory-applied. The face-mounted WOCD will remain the field installation solution. Please note that flush-mounted devices are not available with A-Series, E-Series or 400 Series Woodwright® double-hung windows.

“Andersen” and all other marks where denoted are trademarks of Andersen Corporation. © 2017 Andersen Corporation. All rights reserved.

### Service Replacement Only Parts

#### **Bulletin 56-17** (*August 2017*)

Sales and Service:

Because of the inability to precisely field rout and locate these new flush-mount WOCDs at the jobsite, the current face-mounted design will remain the field installation solution. To obtain a flush-mounted WOCD after the unit installation, a replacement upper sash with WOCD would be required. A sell sheet highlighting this new WOCD solution as well as a WOCD ordering matrix for all Andersen WOCD solutions is available. Please contact [awmarketingservices@andersencorp.com](mailto:awmarketingservices@andersencorp.com) for digital versions of this sell sheet.

## Service Replacement Only Parts

---