

Hinge Replacement and Rout Modification Guide

for Andersen® 400 Series Frenchwood® Hinged Patio Doors



INSTALLER: Please leave this guide with the building owner to file for future reference.

For ease of installation and continued enjoyment of your Andersen® product, please read and follow this Instruction Guide completely. You may direct any questions about this or other products to your local Andersen dealer, found in the Yellow Pages under “Windows”, or call Andersen WindowCare® service center at 1-888-888-7020 Monday through Friday, 7 a.m. to 7 p.m. Central Time and Saturday, 8 a.m. to 4 p.m. Central Time. Assembly and installation of Andersen products is the sole responsibility of the architect, building owner, contractor and/or consumer and Andersen has no responsibility in this regard. Thank you for choosing Andersen.

⚠ WARNING

Use of ladders and/or scaffolding and working at elevated levels may be hazardous. Follow equipment manufacturer's instructions for safe operation. Use extreme caution when working around window and door openings. Falling from opening may result in personal injury or death.

⚠ WARNING

Improper use of hand or power tools could result in personal injury and/or product damage. Follow equipment manufacturer's instructions for safe operation. Always wear safety glasses.

⚠ WARNING

Weight of window and door unit(s) and accessories will vary. Use a reasonable number of people with sufficient strength to lift, carry, and install window and door unit(s) and accessories. Always use appropriate lifting techniques.

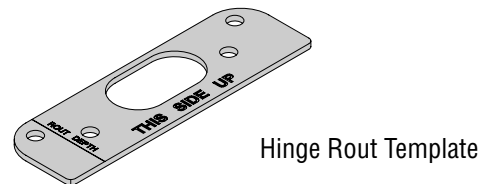
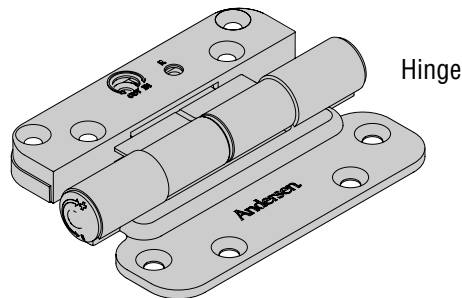
Parts Included

- (1) Instruction Guide
- (1) Hinge Rout Template
- (1,3, or 4) Hinge

Tools & Supplies

- Safety Glasses
- Phillips Screwdriver
- Power Drill
- 3/4" Forstner Bit
- Tape Measure
- 5/32" Hex Wrench (Included with Unit)

Component Identification



1. Remove Panel

⚠ WARNING

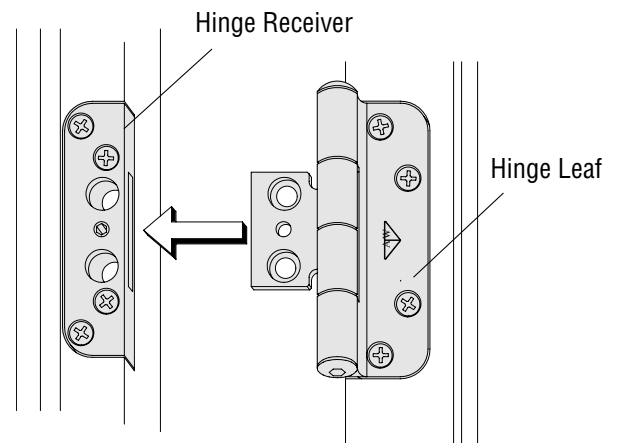
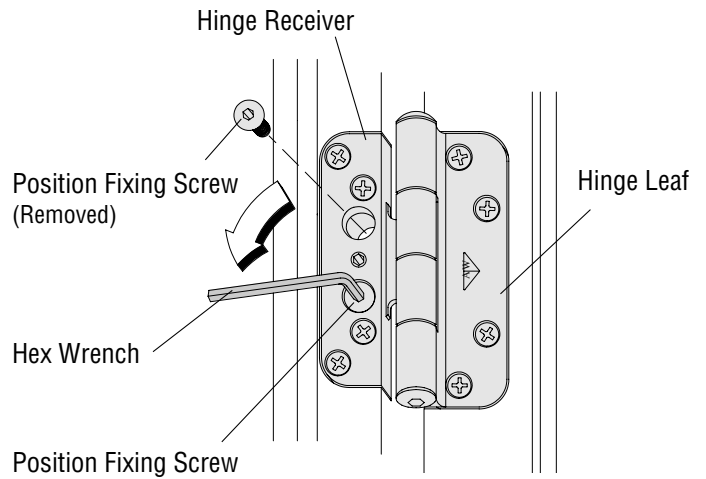
Support Door Panel at all times while removing Position Fixing Screws and disengaging Hinge Receivers from hinges. Panel could drop causing injury, product, and/or property damage.

⚠ WARNING

Panels are heavy. Use a reasonable number of people with sufficient strength to lift, carry, and install Door Panel. Always use appropriate lifting techniques. Failure to do so could result in injury, product, and/or property damage. Units and approximate Panel weights listed below.

2168 - 60 lbs.	21611 - 62 lbs.	2180 - 80 lbs.
2768 - 60 lbs.	27611 - 62 lbs.	2780 - 80 lbs.
2968 - 60 lbs.	29611 - 68 lbs.	2980 - 87 lbs.
3168 - 89 lbs.	31611 - 89 lbs.	3180 - 95 lbs.

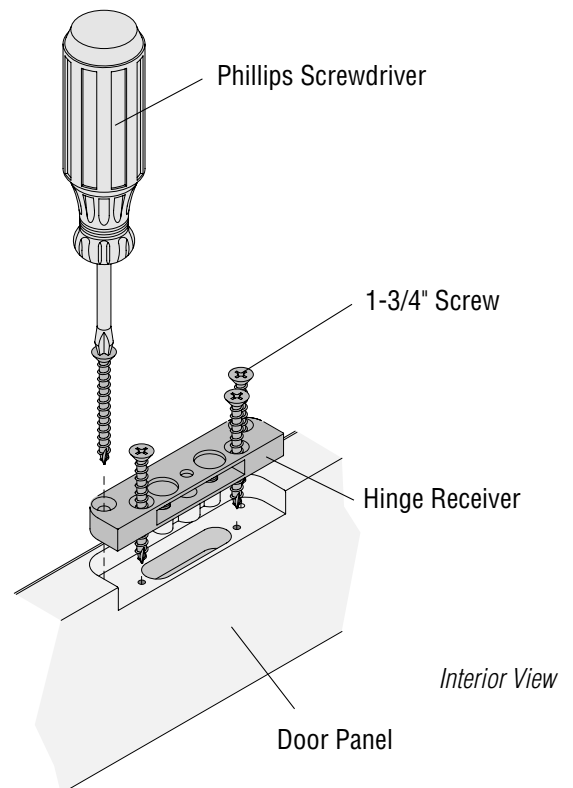
- Make sure Door Panel is sufficiently supported. Remove *Position Fixing Screws* from *Hinge Receivers* with a hex wrench. Carefully pull panel away from *Hinge Leaf* until free.
- Place panel on side against a stable surface with Hinge Receivers facing upwards.



Interior Views

2. Remove Hinge Receivers

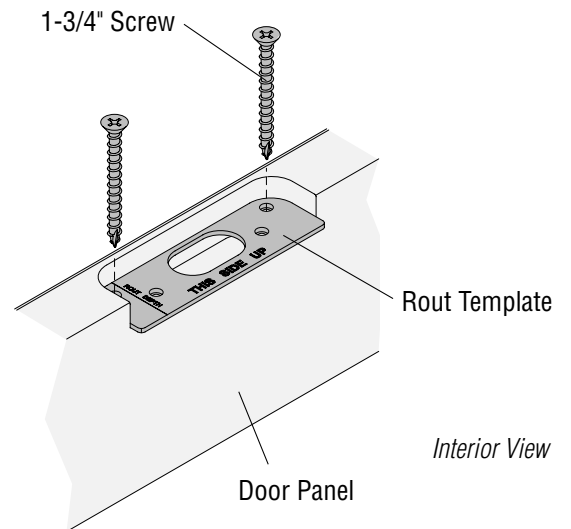
- Remove *Hinge Receivers* from panel using a Phillips screwdriver. Save two 1-3/4" screws for **Step 3**. Properly dispose of remaining screws and *Hinge Receiver*.
- Repeat for all *Hinge Receivers*.



Interior View

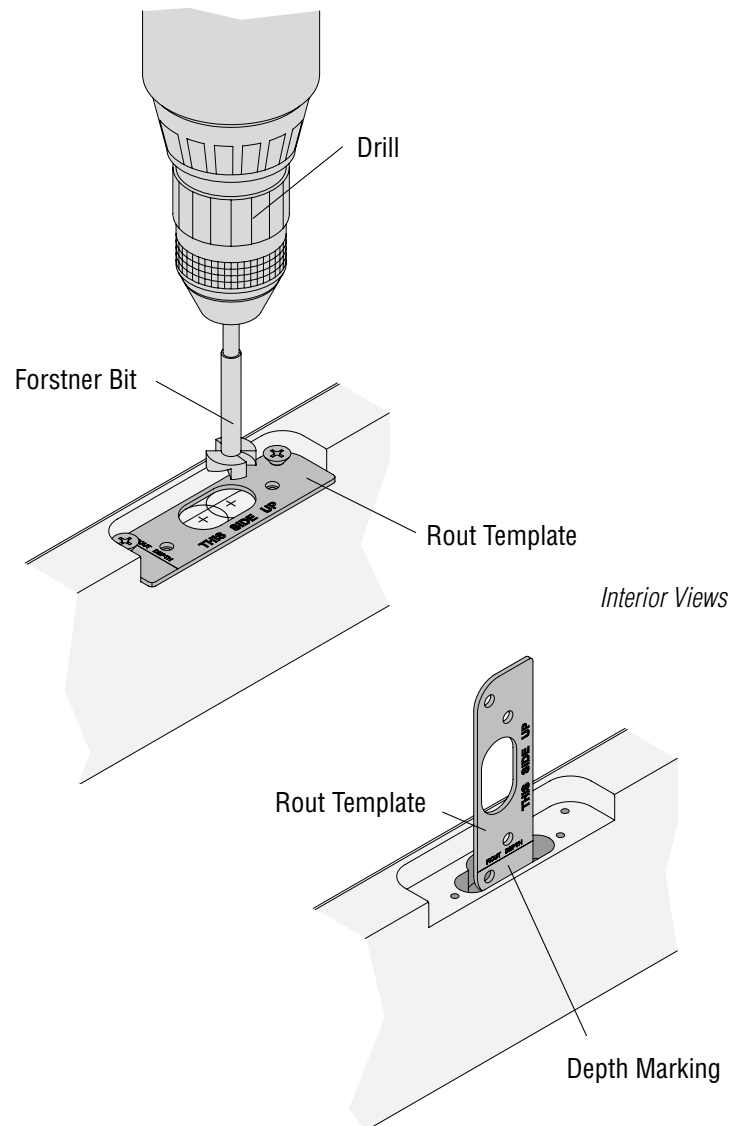
3. Attach Rout Template

- Position *Rout Template* in rout pocket with correct side of template facing upward.
- Fasten *Rout Template* using two 1-3/4" Screws, from **Step 2**. **DO NOT** overtighten screws.



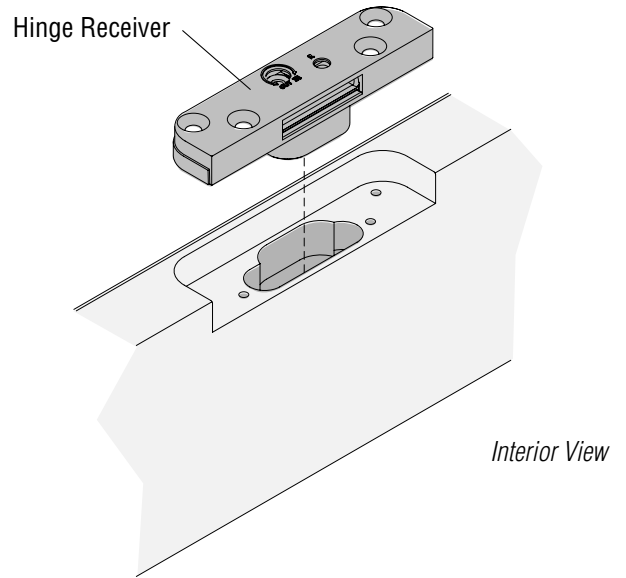
4. Modify Rout Pocket

- Modify existing rout pocket by drilling through *Rout Template* to a depth of 9/16" using 3/4" Forstner Bit. Match rout to the template slot size. **DO NOT** rout too deep.
- Remove *Rout Template* using a Phillips screwdriver.
- Clean debris from rout pocket.
- Check rout depth using depth marking on *Rout Template*.
- Repeat for all rout pockets.



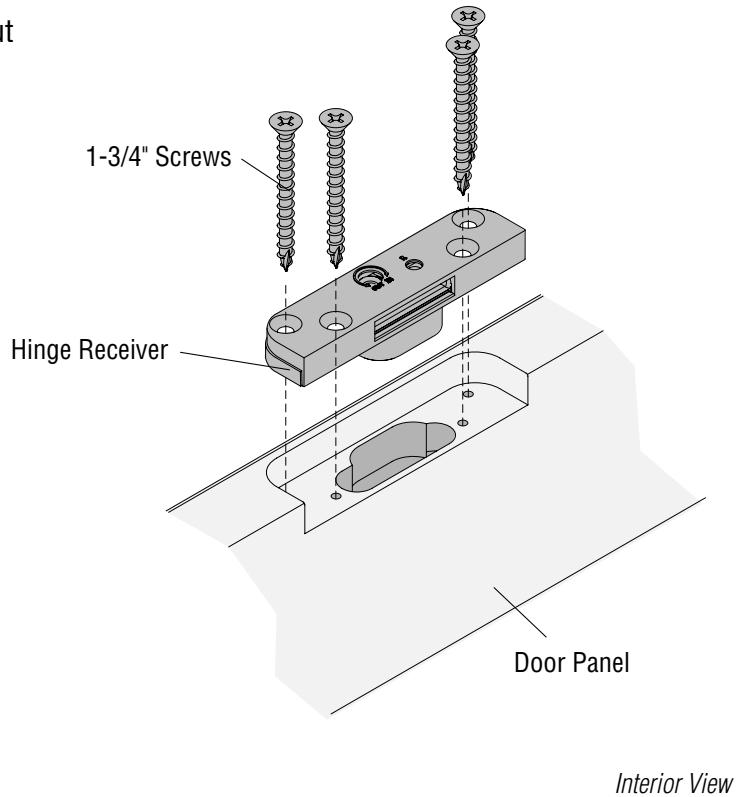
5. Test Fit Replacement Hinge Receiver

- Position replacement *Hinge Receiver* in modified rout pocket.
- Check that *Hinge Receiver* fits tight to bottom of rout pocket and is flush at panel surfaces. Repeat **Steps 3 and 4** if needed.
- Test fit all Hinge Receivers.



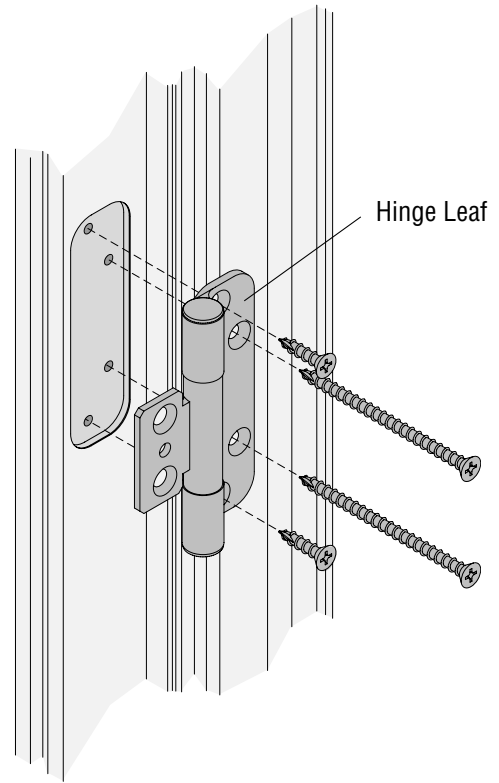
6. Install Replacement Hinge Receivers

- Position replacement *Hinge Receiver* in modified rout pocket and fasten using four 1-3/4" Screws.



7. Remove Existing Hinge Leafs From Frame

- Remove existing *Hinge Leafs* from frame using a Phillips screwdriver. Properly dispose of screws and *Hinge Leafs*. **DO NOT** reuse.

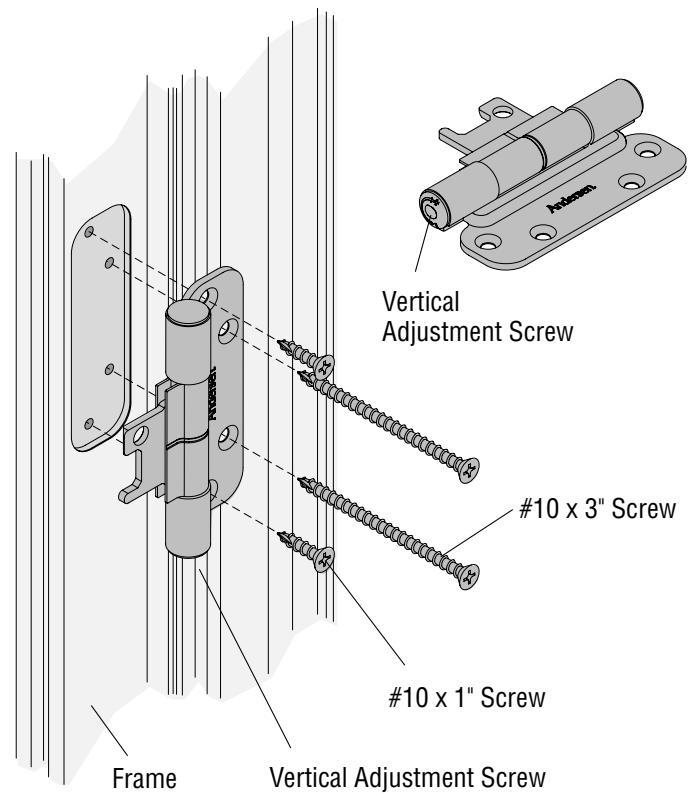


8. Install Replacement Hinge Leafs

- Position replacement *Hinge Leafs*, with *Vertical Adjustment Screw* facing downward, to frame and fasten using two #10 x 1" Screws through top and bottom holes and two #10 x 3" Screws through center holes.

⚠ CAUTION

- Steel fasteners will corrode when used with ACQ Pressure Treated Lumber.
- Obtain and use the appropriate size stainless steel fastener, as called out in this installation guide to fasten unit to any rough opening made from ACQ Pressure Treated Lumber.
- Failure to use stainless steel fasteners may result in fastener corrosion causing product damage.



Interior View

9. Reinstall Panel

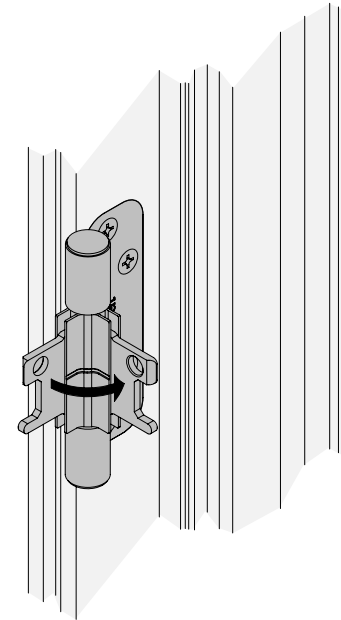
⚠ WARNING

Support Door Panel during reinstallation. Panel could drop causing injury, product, and/or property damage.

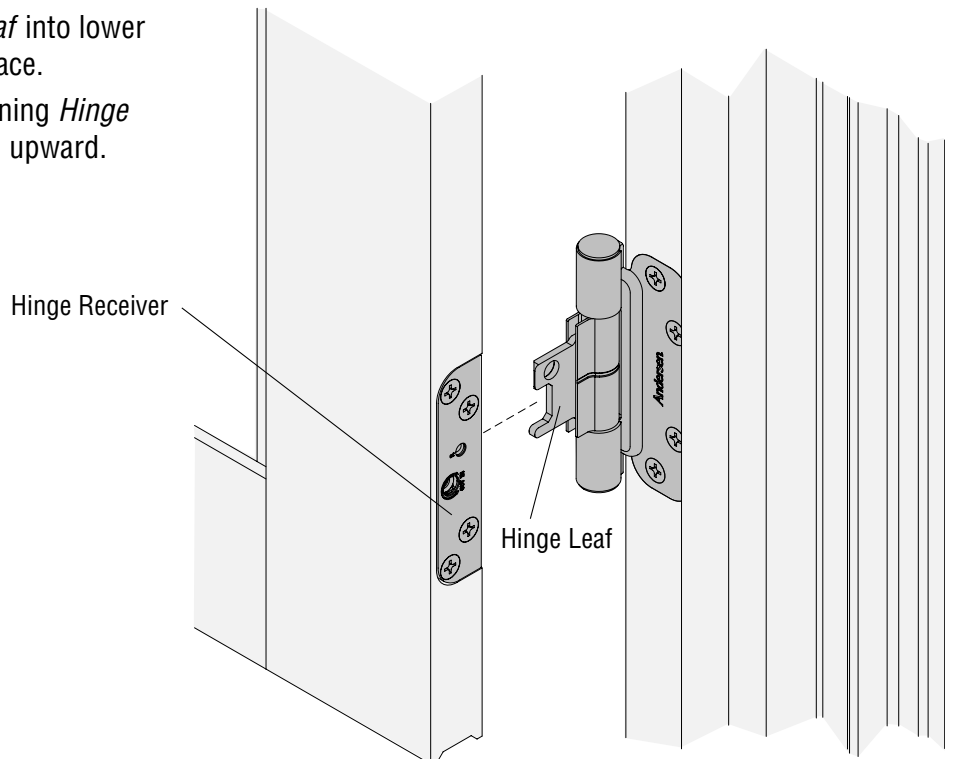
⚠ WARNING

Panels are heavy. Use a reasonable number of people with sufficient strength to lift, carry, and install Door Panel. Always use appropriate lifting techniques. Failure to do so could result in injury, product, and/or property damage. Units and approximate Panel weights listed below.

2168 - 60 lbs.	21611 - 62 lbs.	2180 - 80 lbs.
2768 - 60 lbs.	27611 - 62 lbs.	2780 - 80 lbs.
2968 - 60 lbs.	29611 - 68 lbs.	2980 - 87 lbs.
3168 - 89 lbs.	31611 - 89 lbs.	3180 - 95 lbs.



- Rotate all *Hinge Leafs* to point straight out from frame.
- Lift panel and insert lower *Hinge Leaf* into lower *Hinge Receiver* until it snaps into place.
- Insert and snap into place the remaining *Hinge Leafs* working from bottom of panel upward.



Exterior View

10. Check Door Operation

- Check door operation following instructions in the Hinge Replacement & Hinge and Hardware Adjustment Guide.