

Site Preparation Information for:



- **Product Series** - Big Doors
- **Product Type** - MultiGlide™ Door
- **Frame Configuration** - Non-Pocketing

For: MultiGlide™ Door Installation Instructions/Videos



Go To -
[andersenwindows.com/
installation](https://andersenwindows.com/installation)

or



Scan -



Table of Contents

MultiGlide™ Door Installation Site Specifications

Installation Site Specifications

One-Direction Panel Operation
Two-Direction Panel Operation
with or without Optional Automation
with or without Retractable Insect Screen 5-8



BIG DOOR 1-Way



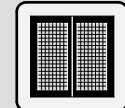
BIG DOOR 2-Way



AUTOMATION



NO AUTOMATION



RETRACTABLE
SCREEN



NO RETRACTABLE
SCREEN

MultiGlide™ Door Vertical Details

Vertical Details

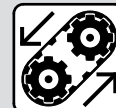
One-Direction Panel Operation
Two-Direction Panel Operation
with or without Optional Automation
without Retractable Insect Screen 9-10



BIG DOOR 1-Way



BIG DOOR 2-Way



AUTOMATION



NO AUTOMATION



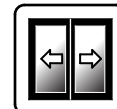
NO RETRACTABLE
SCREEN

Vertical Details

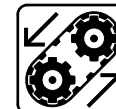
One-Direction Panel Operation
Two-Direction Panel Operation
with or without Optional Automation
with Retractable Insect Screen 11-13



BIG DOOR 1-Way



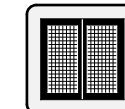
BIG DOOR 2-Way



AUTOMATION



NO AUTOMATION

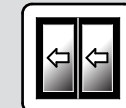


RETRACTABLE
SCREEN

MultiGlide™ Door Horizontal Details/Typical Rough Framing

Horizontal Details/Typical Rough Framing

One-Direction Panel Operation
without Optional Automation 14-15
without Retractable Insect Screen



BIG DOOR 1-Way



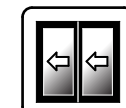
NO AUTOMATION



NO RETRACTABLE
SCREEN

Horizontal Details/Typical Rough Framing

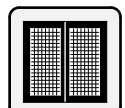
One-Direction Panel Operation
without Optional Automation 16-19
with Retractable Insect Screen



BIG DOOR 1-Way



NO AUTOMATION



RETRACTABLE
SCREEN

Horizontal Details/Typical Rough Framing

One-Direction Panel Operation
with Optional Automation 20-21
without Retractable Insect Screen



BIG DOOR 1-Way





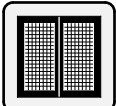
AUTOMATION



NO RETRACTABLE
SCREEN




MultiGlide™ Door Horizontal Details/Typical Rough Framing (continued)

Horizontal Details/Typical Rough Framing
 One-Direction Panel Operation
 with Optional Automation **22-25**
 with Retractable Insect Screen

BIG DOOR 1-Way AUTOMATION RETRACTABLE SCREEN

Horizontal Details/Typical Rough Framing
 Two-Direction Panel Operation
 without Optional Automation **26-27**
 without Retractable Insect Screen

BIG DOOR 2-Way NO AUTOMATION NO RETRACTABLE SCREEN




Horizontal Details/Typical Rough Framing
 Two-Direction Panel Operation
 without Optional Automation **28-30**
 with Retractable Screen







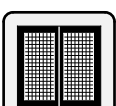
BIG DOOR 2-Way NO AUTOMATION RETRACTABLE SCREEN

Horizontal Details/Typical Rough Framing
 Two-Direction Panel Operation
 with Optional Automation **31-33**
 without Retractable Insect Screen

BIG DOOR 2-Way AUTOMATION NO RETRACTABLE SCREEN

Horizontal Details/Typical Rough Framing
 Two-Direction Panel Operation
 with Optional Automation **34-37**
 with Retractable Insect Screen

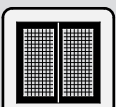
BIG DOOR 2-Way AUTOMATION RETRACTABLE SCREEN

MultiGlide™ Door Sill Nose Option Details

Sill Nose Option Details
 One-Direction Panel Operation
 Two-Direction Panel Operation
 with or without Optional Automation
 with Retractable Insect Screen **38-39**



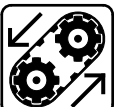








BIG DOOR 1-Way BIG DOOR 2-Way AUTOMATION NO AUTOMATION RETRACTABLE SCREEN

Sill Nose Option Details
 One-Direction Panel Operation
 Two-Direction Panel Operation
 with or without Optional Automation
 without Retractable Insect Screen **40**

BIG DOOR 1-Way BIG DOOR 2-Way AUTOMATION NO AUTOMATION NO RETRACTABLE SCREEN

MultiGlide™ Door Interior Trim Options

Interior Trim Options

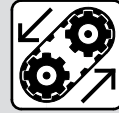
One-Direction Panel Operation
Two-Direction Panel Operation
with or without Optional Automation
with Retractable Insect Screen



BIG DOOR 1-Way



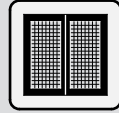
BIG DOOR 2-Way



AUTOMATION



NO AUTOMATION

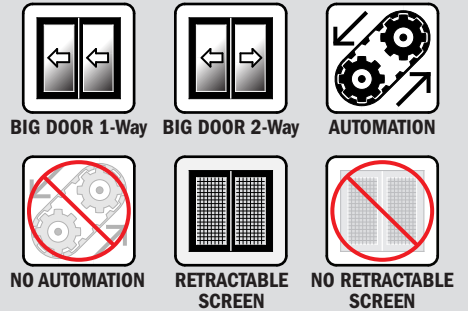


RETRACTABLE
SCREEN

41-42

Installation Site Specifications

One-Direction Panel Operation
Two-Direction Panel Operation
with or without Optional Automation
with or without Retractable Screen



Document Use

This document is a guide to support the door's Opening Preparation and Installation Instructions. Information in this document assists in the construction of the rough opening. It does not constitute actual wall fabrication, construction, or material recommendations. This document identifies considerations that must be taken into account in the construction of the rough opening. Andersen has no obligation to perform any on-site inspection, before, during, or after construction and installation.

Code Compliance

Compliance with all applicable laws, ordinances, building codes, and safety requirements with regard to Andersen specifications or use of the door is the responsibility of the architect, building owner, installer and/or contractor.

Product Protection

Store the door and any accessories off the ground, fully supported, under cover, protected from weather and construction activities. Protect uncartoned components. Continue to protect door from construction activities and floor traffic after installation.

Construction by Others

Andersen is not responsible for conditions in or performance of the building construction adjacent to and beyond the perimeter of the door. The method of attachment for the door to the building structure and the fastener selection is the responsibility of the architect, building owner, installer and/or contractor. In door replacement situations, Andersen is not responsible to inspect the site or door rough opening to approve the structural integrity of the existing rough opening, header load carrying capabilities, or overall rough opening fitness for door installation.

IMPORTANT

- Header size must be calculated to handle the structural dead load of the finished structure plus an additional 1/8" maximum live load of deflection. Failure to do so will affect operation and product performance.
- Header at full dead load deflection cannot encroach the rough opening height requirement. Doing so will affect operation and product performance.
- Rough opening jambs and header (e.g. LVL, glulam, steel or lintel with header plate, etc.) must provide an anchoring surface that allows for a minimum 1-1/2" fastener embedment at all fastener locations.
- Due to the large jamb depths, make sure the sides (depth) of the rough opening are square to the exterior wall.

Installation Site Specifications (continued)

Floor

- Floor must be structurally sound, flat, and level the entire frame width and depth and have a load carrying capacity of 100 pounds per lineal foot and a maximum deflection of 1/16" over the span of the opening after loading.

Fastening

WARNING

- Verify there are no electrical, plumbing, or HVAC components at fastener locations. Failure to do so could result in injury or property damage.

Head Jamb and Side Jamb(s)

- Fasteners (#12 x 3-1/4" pan head screw - supplied, 11/64" drill bit for pilot hole - supplied) must attach to a wood structural framing member with a 1-1/2" minimum fastener embedment, or 3 full threads of engagement - (#12 self-drilling pan head screw - by others) in structural steel studs. Jacking screws are located 1-1/2" from the edge of the jambs.

Sill Fasteners

- Fasteners (#8 x 1-1/2" pan head screw - supplied) must attach to a wood structural framing member with a 1-1/2" minimum fastener embedment, or 3/16" x 1-3/4" in masonry with a 1-1/4" minimum fastener embedment. Masonry fasteners must be set back a minimum of 1-1/2" from the concrete slab's edge.

Retractable Screen/Optional Automation

NOTICE

- **DO NOT** fasten trim and/or finishing components to the retractable insect screen frame. Doing so will result in product or property damage and could affect operation and product performance. Trim removal for the retractable insect screen and/or the optional automation components could be required for servicing.

IMPORTANT

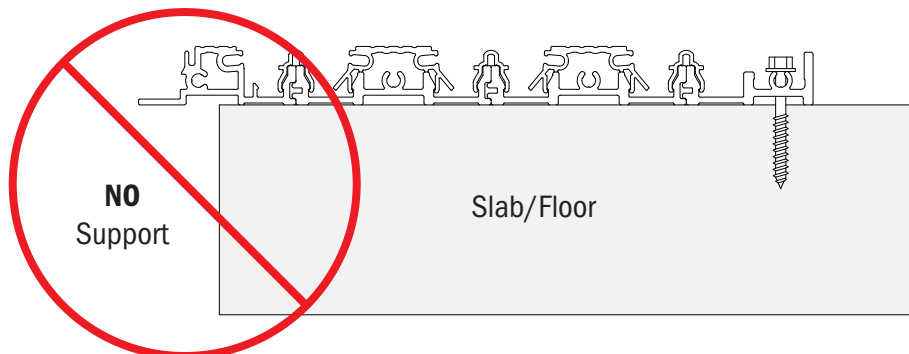
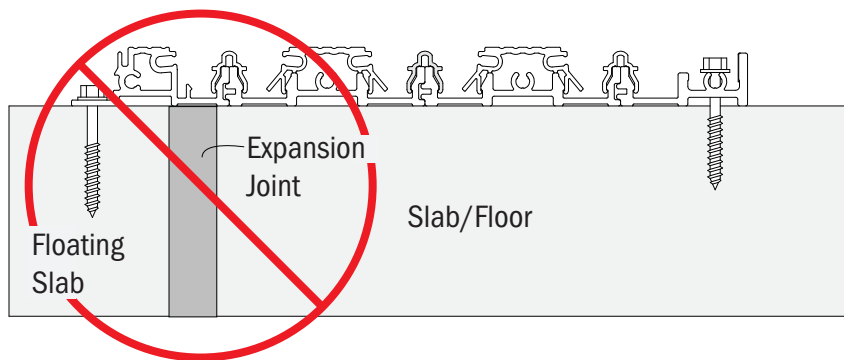
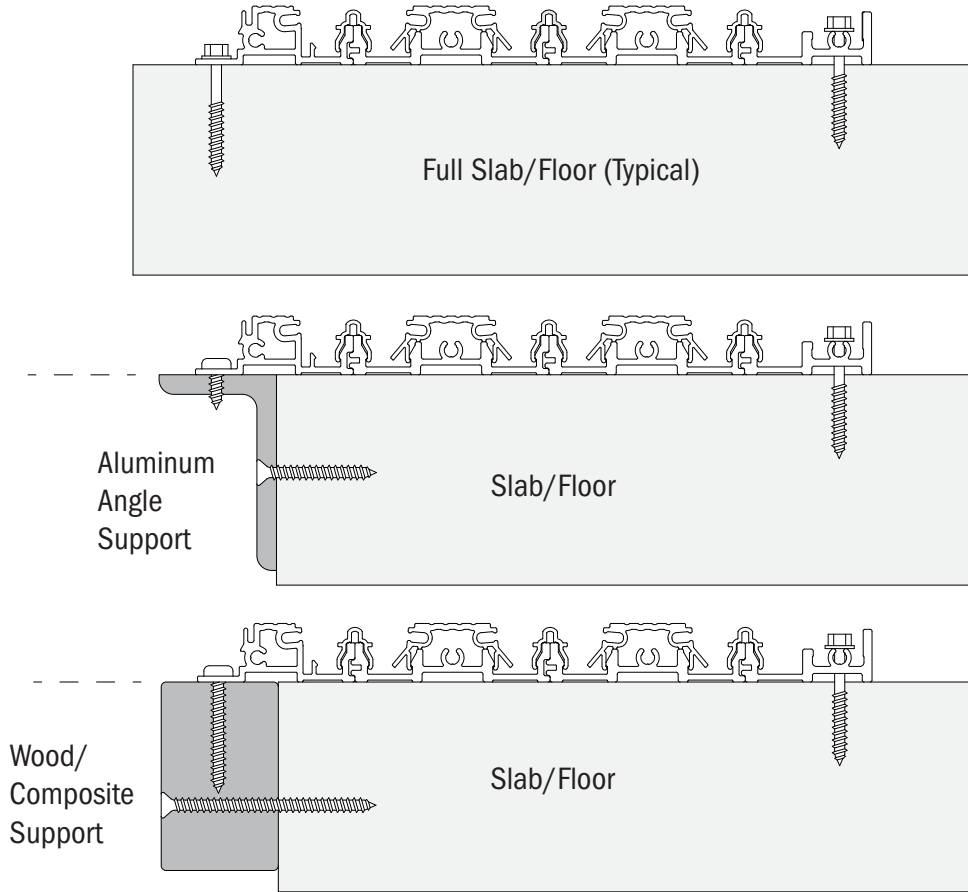
- A Dap-out for some Big Door Retractable Insect Screen Installations is required. See Vertical Detail section for your Specific Installation.

Installation Site Specifications (continued)

Sill Support

- Sill must be supported full depth. See structural support options below, where the existing slab/floor does not extend far enough to support the full depth of the sill.
- Sill Support material is supplied by others.

MultiGlide™ Door On-Floor Sill Support Options



Installation Site Specifications (continued)

MultiGlide™ Door Dimensions

Door dimensions are to the outermost exterior of the door frame components for MultiGlide doors with either an On-Floor or Flush Sill. The MultiGlide door and rough opening dimensions are generated in the quoting tool.

Rough Opening Dimensions

Rough opening dimension references shown are the dimensions recommended for proper installation as instructed. These dimensions may need to be increased to allow for use of building wraps, flashings, sill panning, brackets, fasteners or other items within the rough opening.

Rough Opening Dimensions are:

- MultiGlide Door (On-Floor Sill) - 1" wider and 1/2" higher than the door dimensions
- MultiGlide Door (Flush Sill) - 1" wider and 3/4" higher (1/2" at the top and 1/4" at the dap-out) than door dimensions

Header Height

- MultiGlide Door (On-Floor Sill) - Rough opening header height is measured from the top of the slab or floor sheathing.
- MultiGlide Door (Flush Sill) - Rough opening header height is measured from the bottom of the dap-out, which is 1-1/2" below the top of the finished floor. If you deviate from the 1-1/2" dap-out dimension you must calculate for the difference.

MultiGlide™ Door with Optional Automation

For MultiGlide doors with either an On-Floor or Flush Sill, the pocket width must be increased by 12" (minimum) to allow for motor installation. For doors with two-direction panel operation, the pocket width must be increased by 6" (minimum) for the side opposite where the motor is located to accommodate the return pulley. The motor can be installed in either pocket for doors with two-direction panel operation. Installation of the motor requires additional pocket depth. See Horizontal Details.

Door Component Weights

Door panels and frame components for MultiGlide doors are heavy. The charts below provide an estimated weight for panels or frame components for handling requirement planning. Weights are approximate and will vary by door configuration.

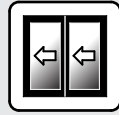
FRAME COMPONENT WEIGHT	
Actual weight will vary by material and jamb depth	
FRAME COMPONENT	Weight per Track
On-Floor Sill	1.2 lbs/ft
Head Jamb	2 lbs/ft
Side Jamb	1.6 lbs/ft

FRAME COMPONENT WEIGHT		
Actual weight will vary by panel count and configuration		
FRAME COMPONENT	Weight per Sill	
Flush Sill	One-Direction	Two-Direction
2 - Tracks	5-50 lbs	5-50 lbs
3 - Tracks	5-50 lbs	5-50 lbs
4 - Tracks	5-50 lbs	5-50 lbs
5 - Tracks	5-50 lbs	50-100 lbs
6 - Tracks	5-50 lbs	50-100 lbs
7 - Tracks	50-100 lbs	50-100 lbs
9 - Tracks	50-100 lbs	100-150 lbs
11 - Tracks	50-100 lbs	150-200 lbs

PANEL WEIGHT		- Dual Pane Tempered			
Actual weight will vary by glass configuration and panel type		- Triple Pane Tempered ()			
		PANEL WIDTH			
		30"	40"	50"	60"
PANEL HEIGHT	50"	50 lbs	70 lbs	90 lbs	120 lbs
		(65 lbs)	(90 lbs)	(115 lbs)	(n/a)
	60"	55 lbs	75 lbs	95 lbs	125 lbs
		(70 lbs)	(95 lbs)	(120 lbs)	(n/a)
	70"	60 lbs	85 lbs	110 lbs	140 lbs
		(75 lbs)	(110 lbs)	(140 lbs)	(n/a)
	80"	70 lbs	100 lbs	130 lbs	180 lbs
		(90 lbs)	(140 lbs)	(170 lbs)	(n/a)
	90"	90 lbs	120 lbs	150 lbs	200 lbs
		(110 lbs)	(150 lbs)	(190 lbs)	(n/a)
	100"	110 lbs	140 lbs	180 lbs	220 lbs
		(n/a)	(n/a)	(n/a)	(n/a)
110"	120 lbs	160 lbs	200 lbs	240 lbs	
	(n/a)	(n/a)	(n/a)	(n/a)	
120"	130 lbs	180 lbs	220 lbs	260 lbs	
	(n/a)	(n/a)	(n/a)	(n/a)	

Vertical Details

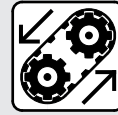
One- and Two-Direction Panel Operation
with or without Automation
without Retractable Insect Screen



BIG DOOR 1-Way



BIG DOOR 2-Way



AUTOMATION

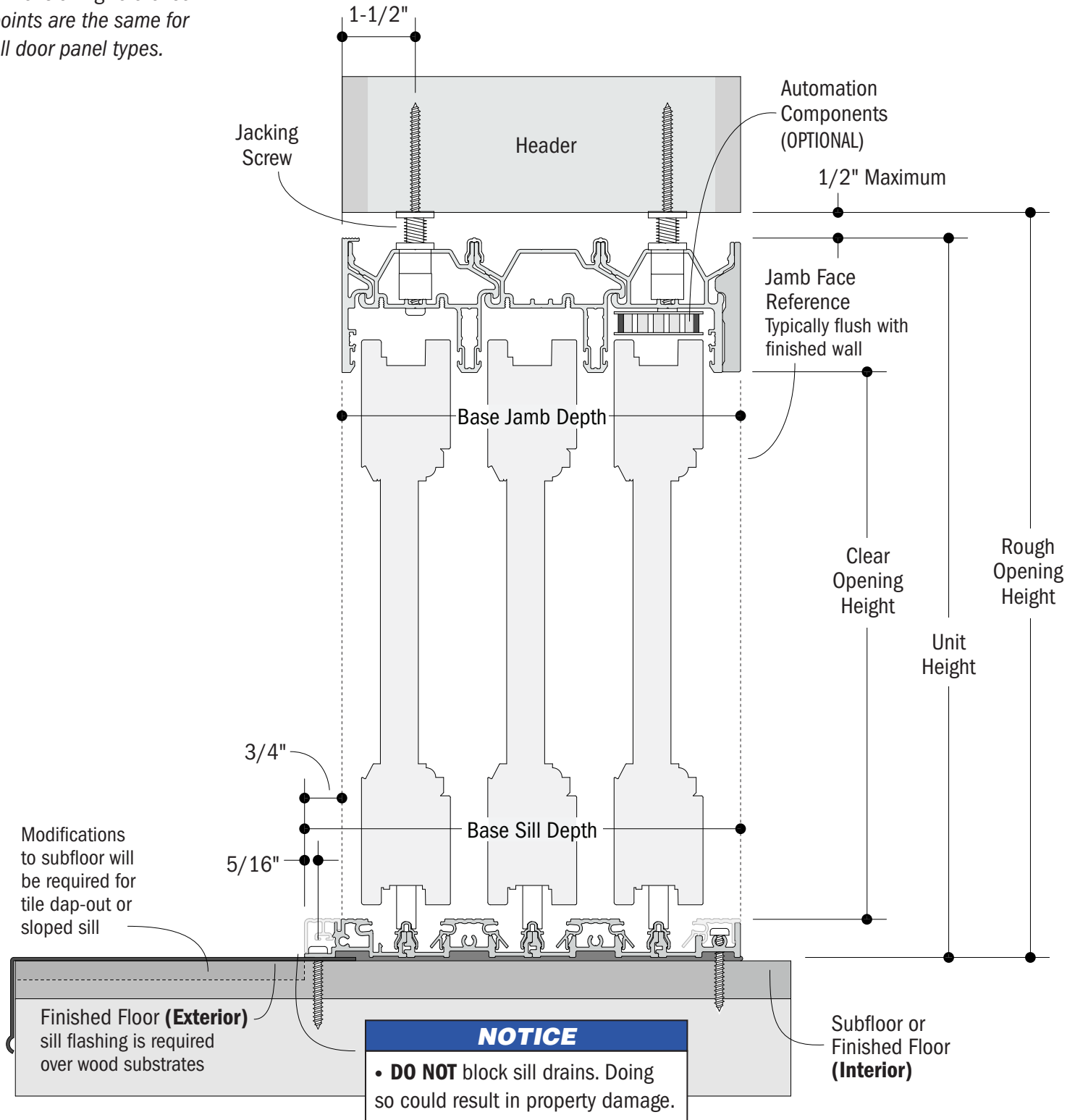


NO AUTOMATION



NO RETRACTABLE
SCREEN

Dimensioning reference points are the same for all door panel types.



NOTICE
• DO NOT block sill drains. Doing so could result in property damage.

*Shown with interior and exterior sill nose covers in place.

ON-FLOOR DRAINAGE SILL
Jamb-Jamb Configurations

Vertical Details (continued)
 One- and Two-Direction Panel Operation
 with or without Automation
 without Retractable Insect Screen



BIG DOOR 1-Way



BIG DOOR 2-Way



AUTOMATION



NO AUTOMATION



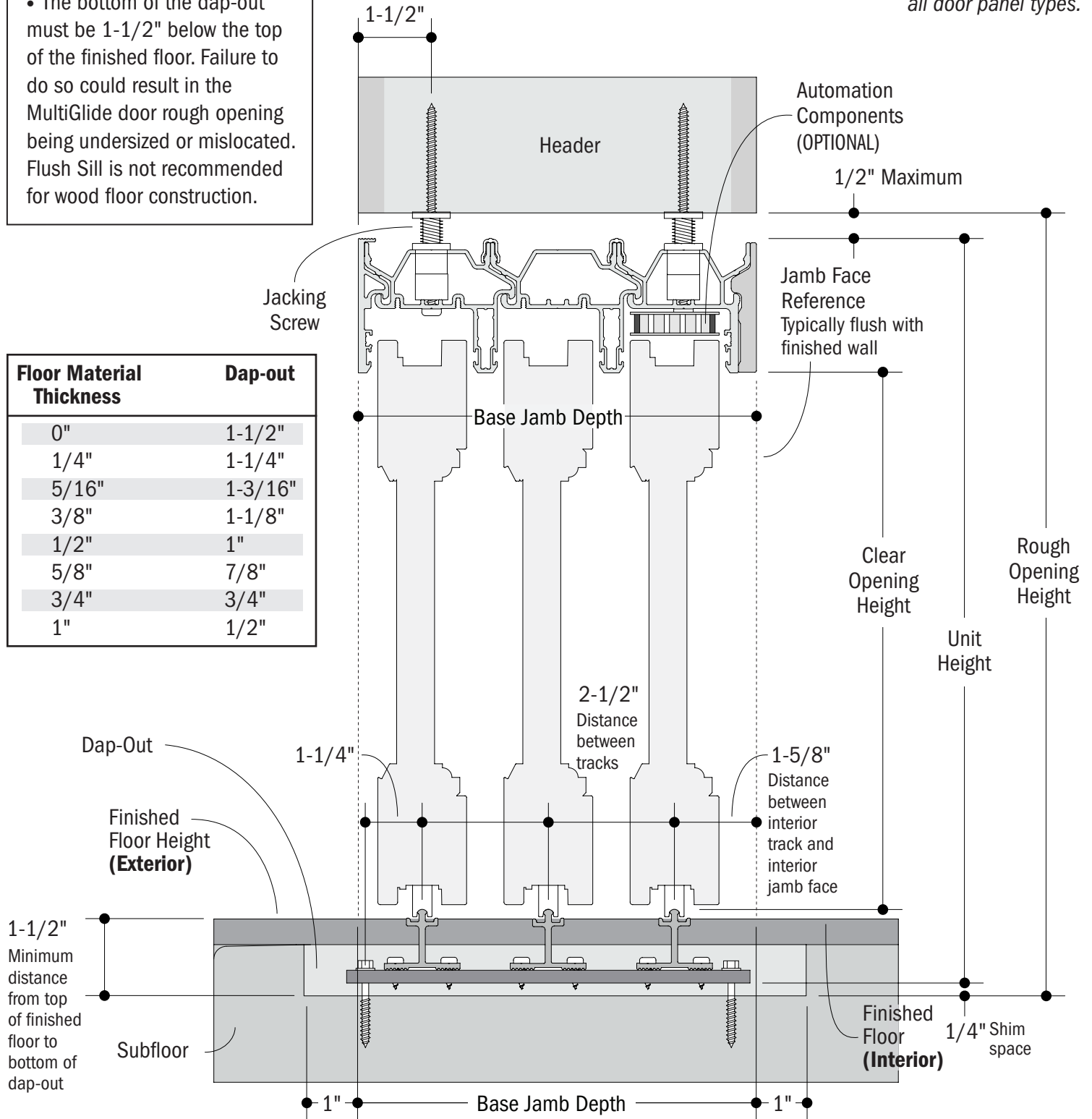
NO RETRACTABLE
SCREEN

IMPORTANT

- The bottom of the dap-out must be 1-1/2" below the top of the finished floor. Failure to do so could result in the MultiGlide door rough opening being undersized or mislocated. Flush Sill is not recommended for wood floor construction.

Dimensioning reference points are the same for all door panel types.

Floor Material Thickness	Dap-out
0"	1-1/2"
1/4"	1-1/4"
5/16"	1-3/16"
3/8"	1-1/8"
1/2"	1"
5/8"	7/8"
3/4"	3/4"
1"	1/2"

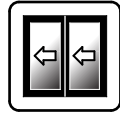


FLUSH SILL

Jamb-Jamb Configurations

Vertical Details

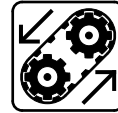
One- and Two-Direction Panel Operation
with or without Automation
with Retractable Insect Screen



BIG DOOR 1-Way



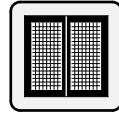
BIG DOOR 2-Way



AUTOMATION

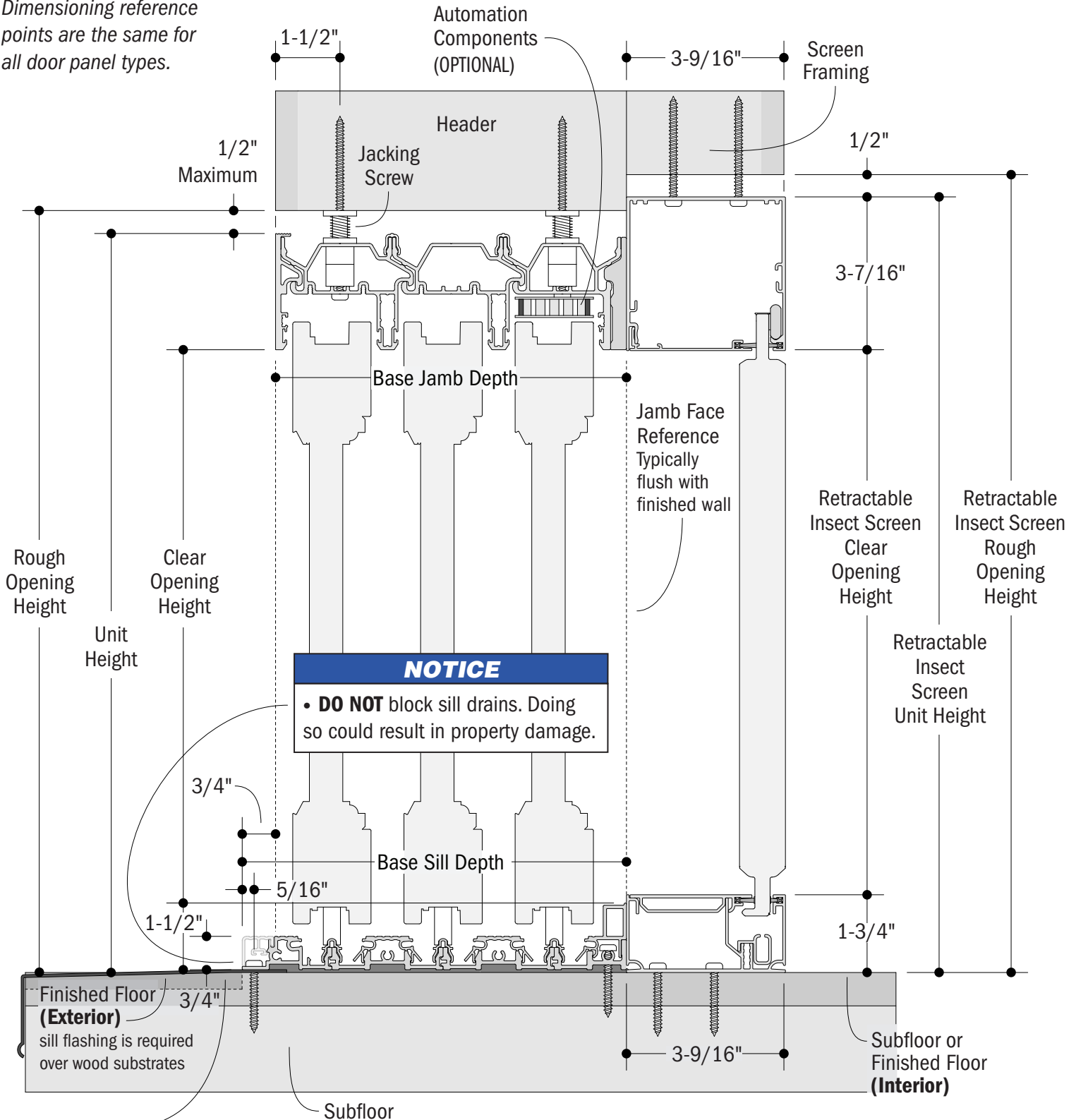


NO AUTOMATION



RETRACTABLE SCREEN

Dimensioning reference points are the same for all door panel types.



Modifications to subfloor will be required for tile dap-out or sloped sill

ON-FLOOR DRAINAGE SILL
(Bottom Retractable Insect Screen Track on Finished Floor)
Jamb-Jamb Configurations

*Shown with exterior sill nose cover and raised threshold in place.

Vertical Details (continued)
 One- and Two-Direction Panel Operation
 with or without Automation
 with Retractable Insect Screen



BIG DOOR 1-Way



BIG DOOR 2-Way



AUTOMATION

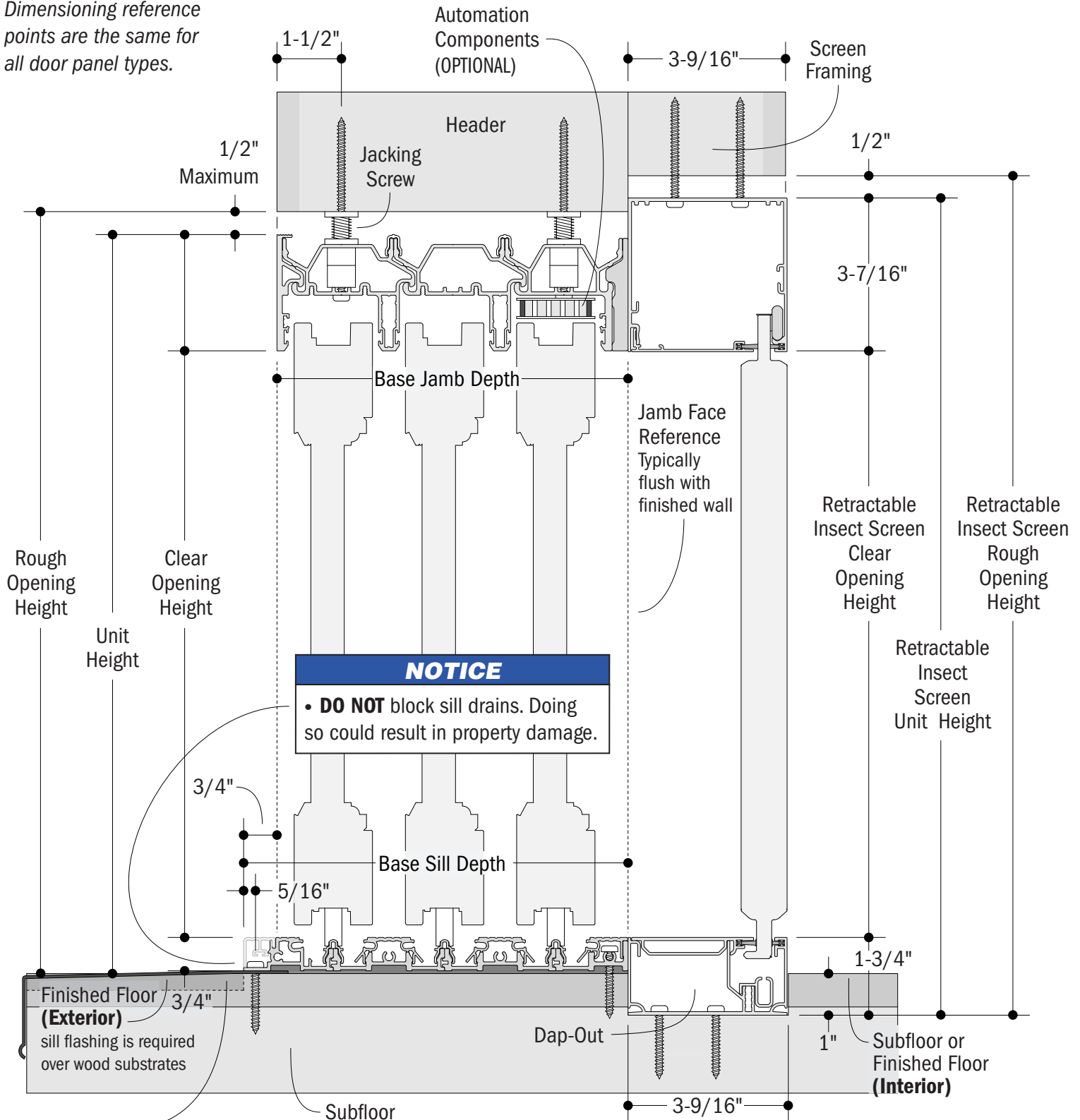


NO AUTOMATION



RETRACTABLE SCREEN

Dimensioning reference points are the same for all door panel types.



Modifications to subfloor will be required for tile dap-out or sloped sill

ON-FLOOR DRAINAGE SILL
 (Retractable Insect Screen Track Flush with On-Floor Drainage Sill)
 Jamb-Jamb Configurations

*Shown with interior and exterior sill nose covers in place.

Vertical Details (continued)

One- and Two-Direction Panel Operation with or without Automation with Retractable Insect Screen



BIG DOOR 1-Way



BIG DOOR 2-Way



AUTOMATION



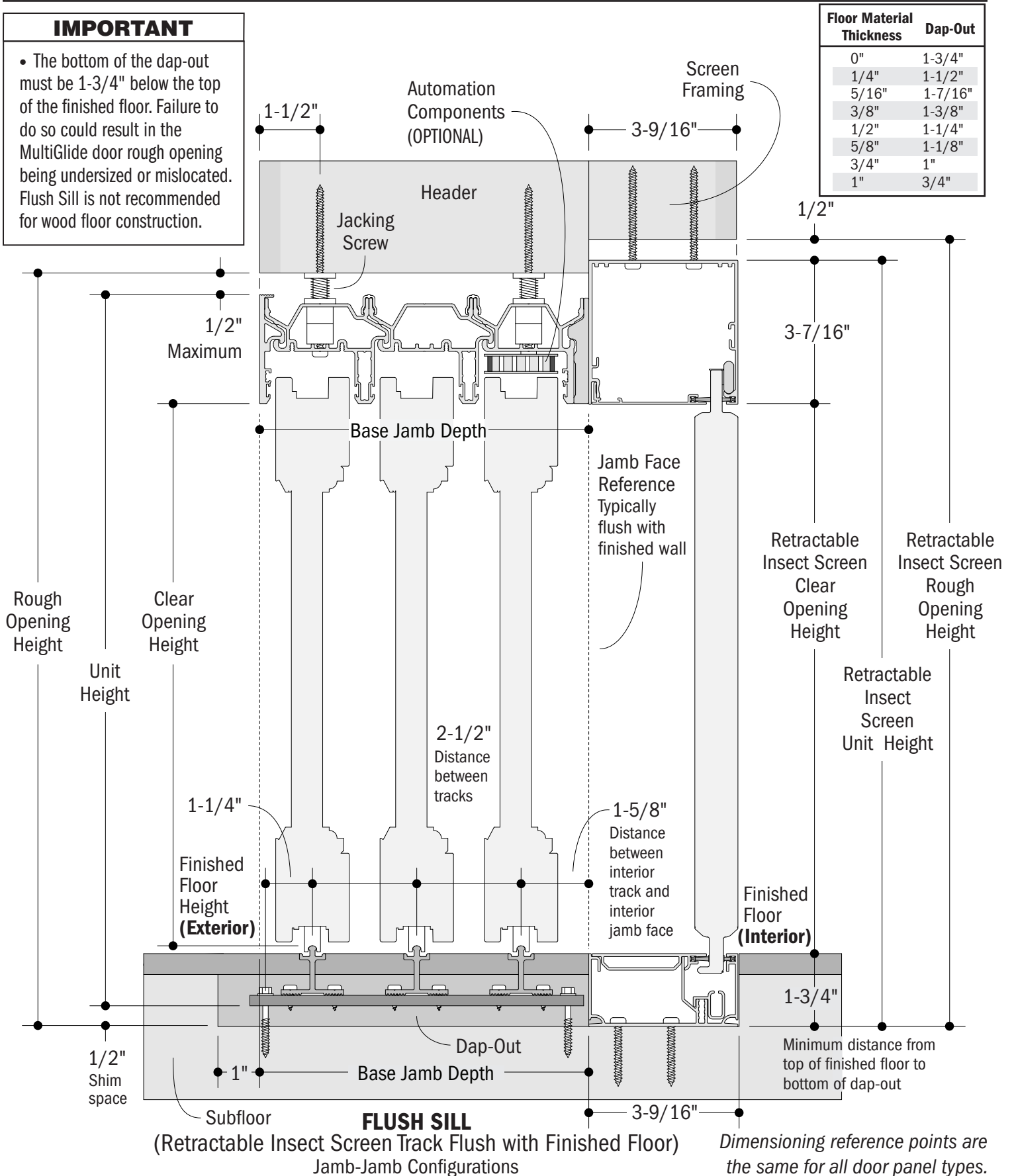
NO AUTOMATION



RETRACTABLE SCREEN

IMPORTANT

- The bottom of the dap-out must be 1-3/4" below the top of the finished floor. Failure to do so could result in the MultiGlide door rough opening being undersized or mislocated. Flush Sill is not recommended for wood floor construction.

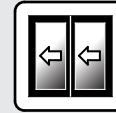


Floor Material Thickness	Dap-Out
0"	1-3/4"
1/4"	1-1/2"
5/16"	1-7/16"
3/8"	1-3/8"
1/2"	1-1/4"
5/8"	1-1/8"
3/4"	1"
1"	3/4"

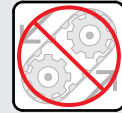
Dimensioning reference points are the same for all door panel types.

Horizontal Details

One-Direction Panel Operation (Closed and Open)
without Optional Automation
without Retractable Insect Screen



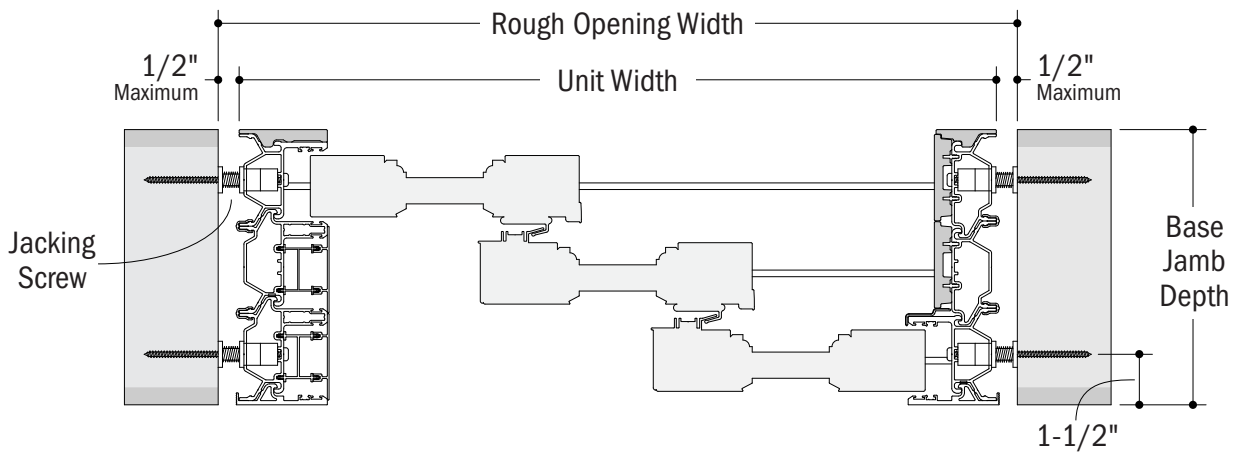
BIG DOOR 1-Way



NO AUTOMATION

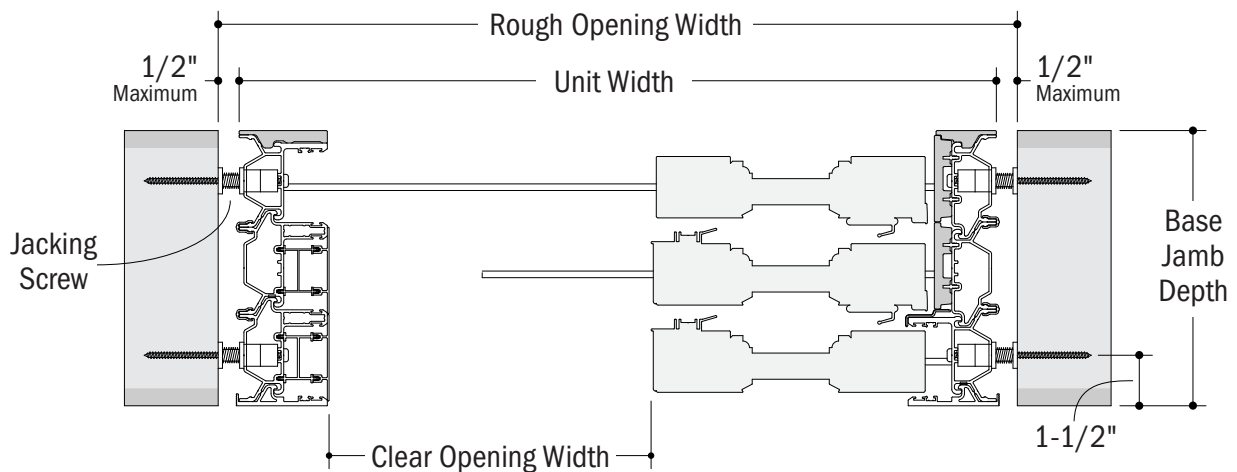


NO RETRACTABLE
SCREEN



ON-FLOOR DRAINAGE SILL or FLUSH SILL

Jamb-Jamb Configuration (Closed)

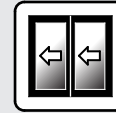


ON-FLOOR DRAINAGE SILL or FLUSH SILL

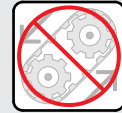
Jamb-Jamb Configuration (Open)

Typical Rough Framing

One-Direction Panel Operation
without Optional Automation
without Retractable Insect Screen



BIG DOOR 1-Way

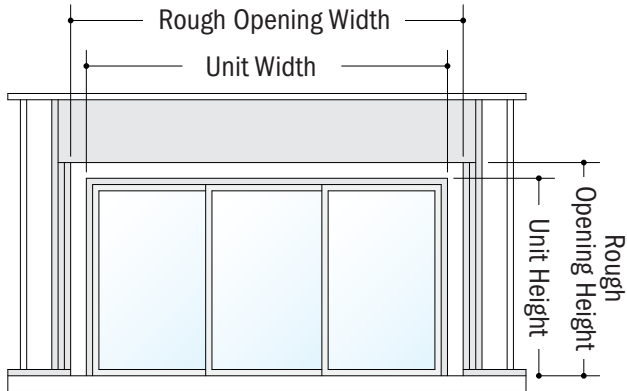


NO AUTOMATION

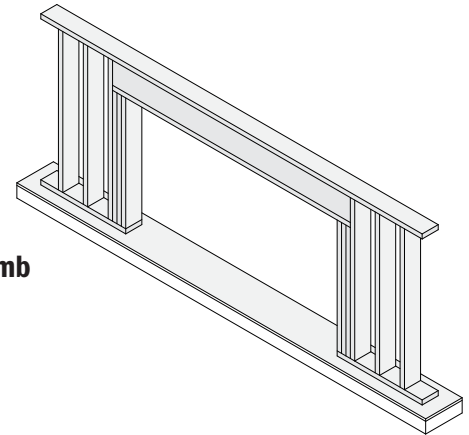


NO RETRACTABLE
SCREEN

Shown as viewed from the **EXTERIOR** without sheathing for clarity



Jamb-Jamb



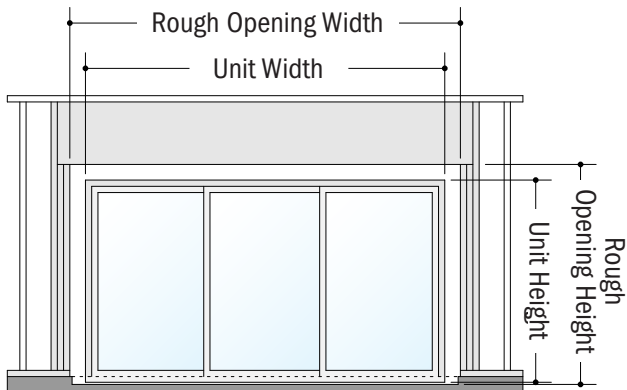
EXTERIOR

ON-FLOOR DRAINAGE SILL

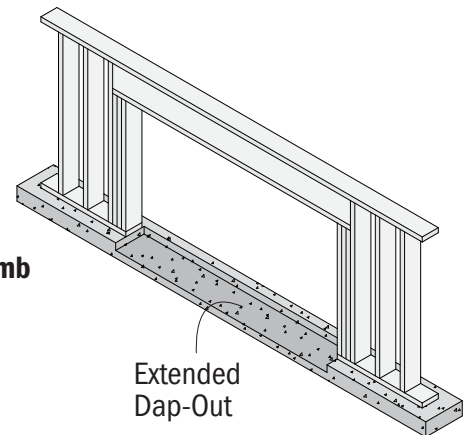
Wood or Concrete

IMPORTANT

- See the **Installation Site Specifications** for header requirements.



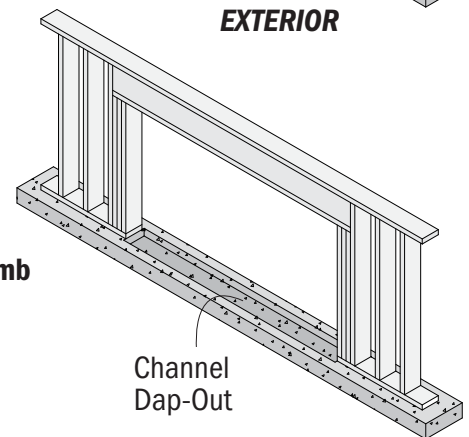
Jamb-Jamb



Extended
Dap-Out

EXTERIOR

Jamb-Jamb



Channel
Dap-Out

EXTERIOR

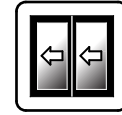
FLUSH SILL

Concrete*

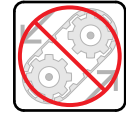
*Flush sill option is not recommended for wood floor construction

Horizontal Details

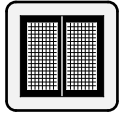
One-Direction Panel Operation (Closed)
without Optional Automation
with Retractable Insect Screen*



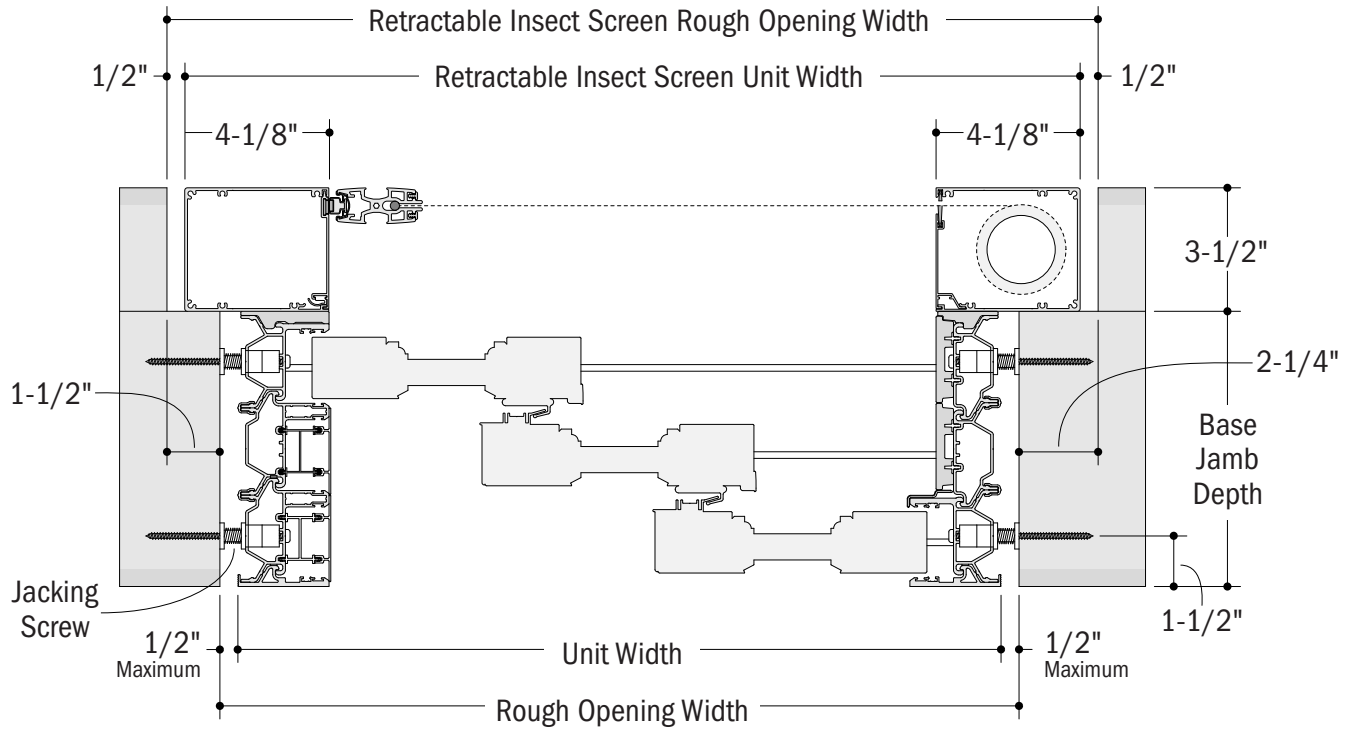
BIG DOOR 1-Way



NO AUTOMATION



RETRACTABLE
SCREEN

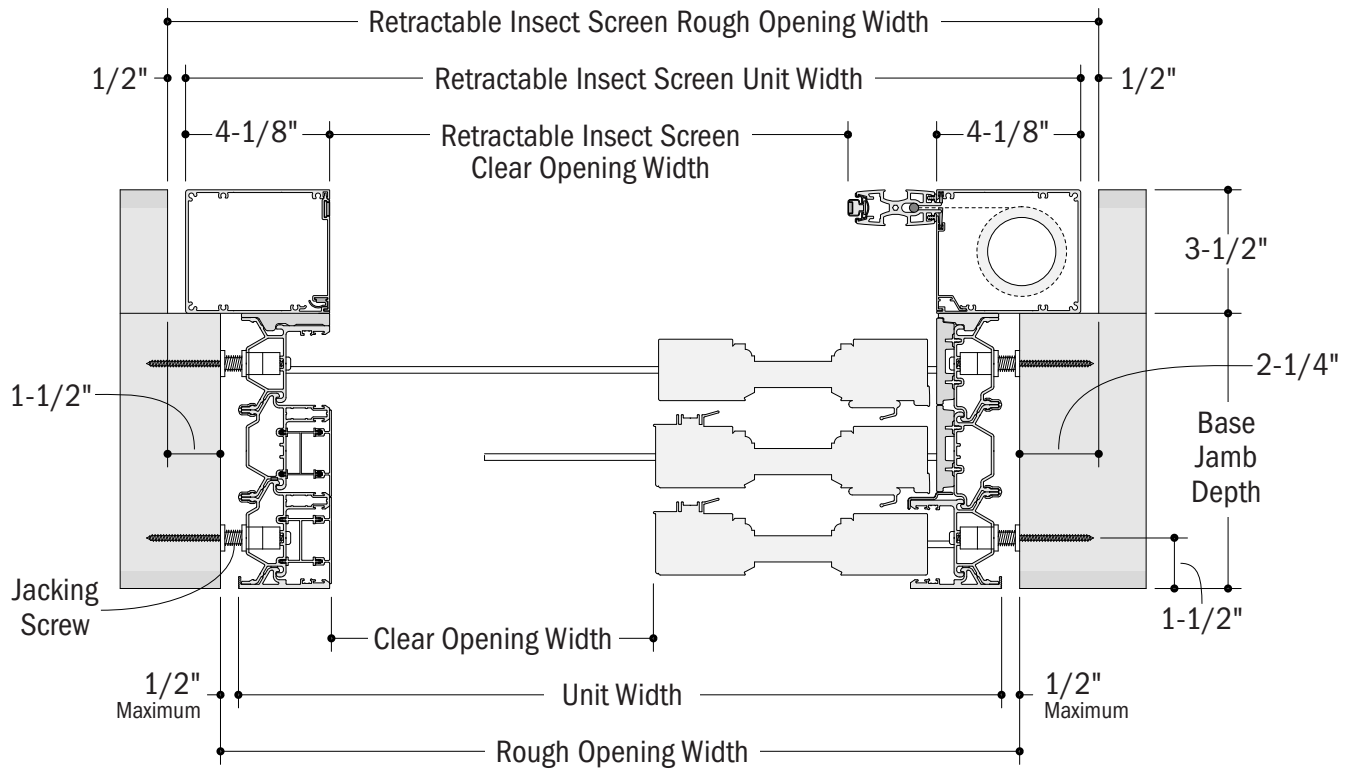
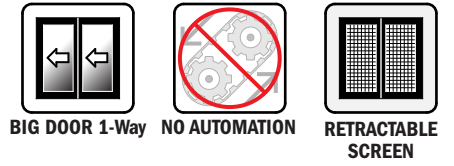


ON-FLOOR DRAINAGE SILL or FLUSH SILL

Jamb-Jamb Configuration

*Retractable Screen is not automated

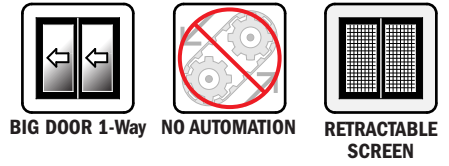
Horizontal Details (continued)
One-Direction Panel Operation (Open)
 without Optional Automation
 with Retractable Insect Screen*



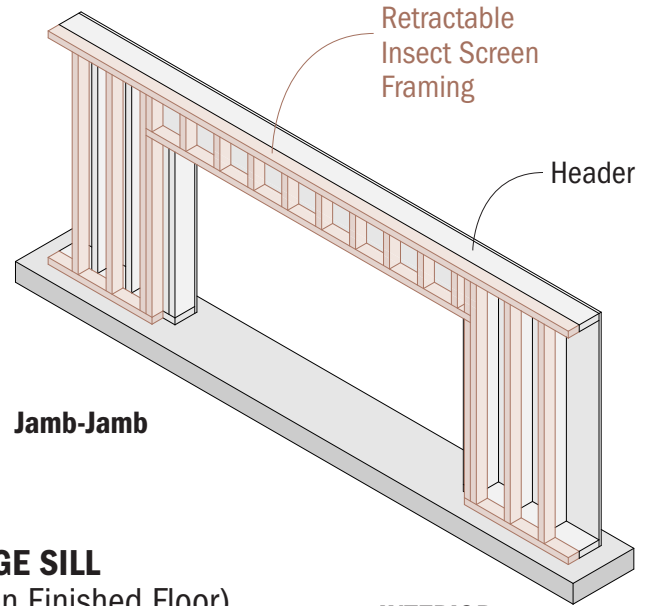
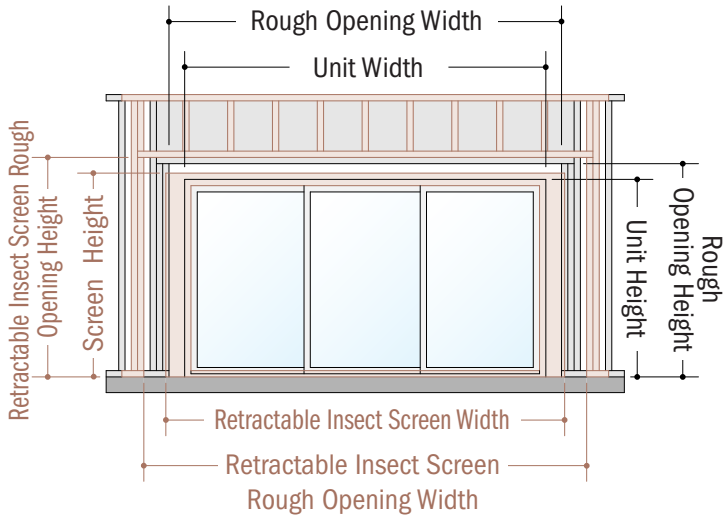
ON-FLOOR DRAINAGE SILL
or FLUSH SILL
 Jamb-Jamb Configuration

*Retractable Insect Screen is not automated
 9163116

Typical Rough Framing
 One-Direction Panel Operation
 without Optional Automation
 with Retractable Insect Screen**



Shown as viewed from the **INTERIOR** without sheathing for clarity



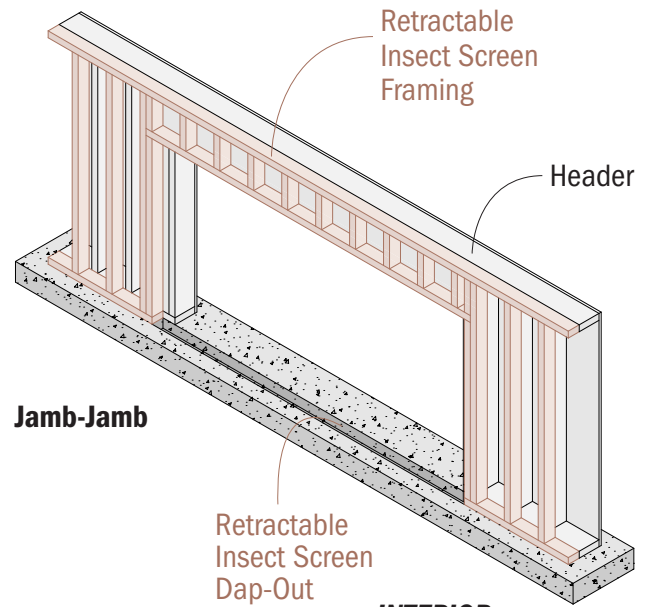
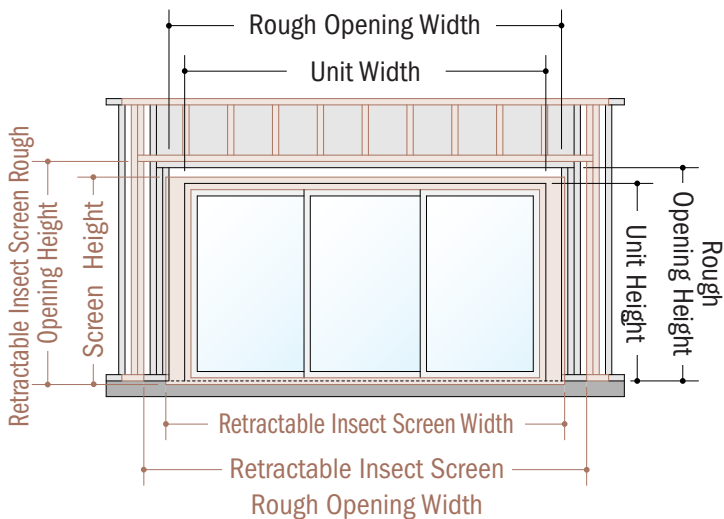
Jamb-Jamb

INTERIOR

ON-FLOOR DRAINAGE SILL
 (Bottom Insect Screen Track on Finished Floor)
 Wood or Concrete

IMPORTANT

- See the **Installation Site Specifications** for header requirements.



Jamb-Jamb

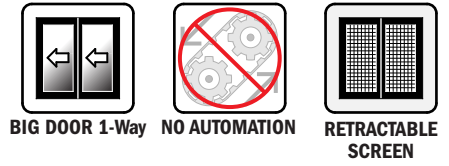
INTERIOR

ON-FLOOR DRAINAGE SILL
 (Screen Track Flush with On-Floor Drainage Sill)
 Concrete*

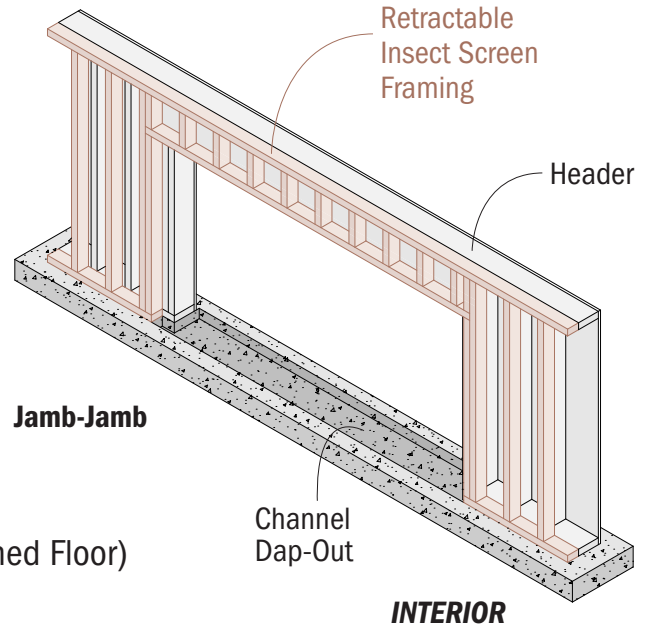
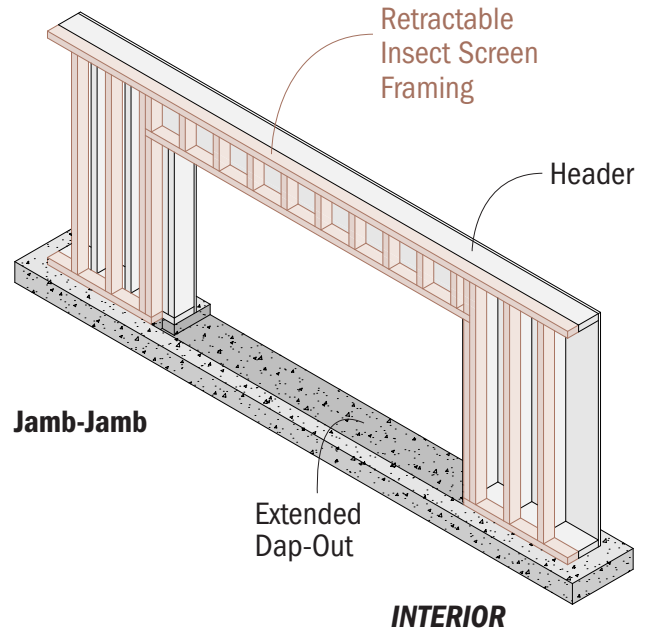
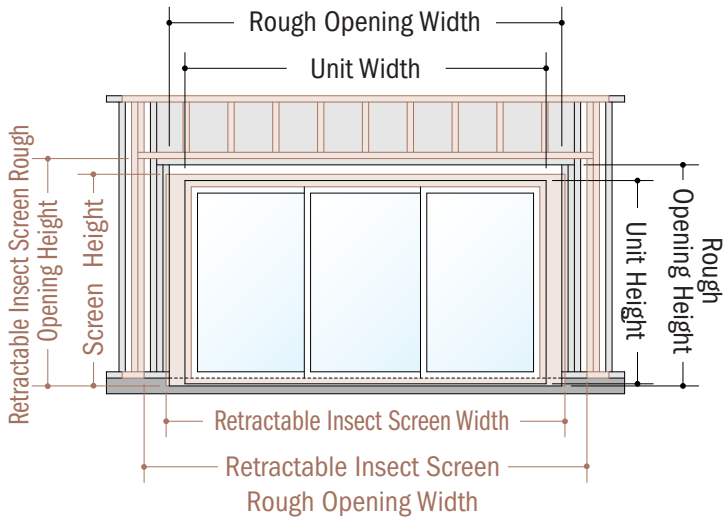
*Retractable Insect Screen dap-out option is not recommended for wood floor construction

**Retractable Insect Screen is not automated

Typical Rough Framing (continued)
 One-Direction Panel Operation
 without Optional Automation
 with Retractable Insect Screen**



Shown as viewed from the **INTERIOR** without sheathing for clarity



FLUSH SILL
 (Retractable Insect Screen Track Flush with Finished Floor)
 Concrete*

IMPORTANT

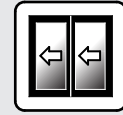
- See the **Installation Site Specifications** for header requirements.

*Flush sill option is not recommended for wood floor construction

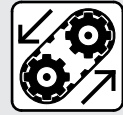
**Retractable Insect Screen is not automated

Horizontal Details

One-Direction Panel Operation (Closed and Open)
with Optional Automation
without Retractable Insect Screen



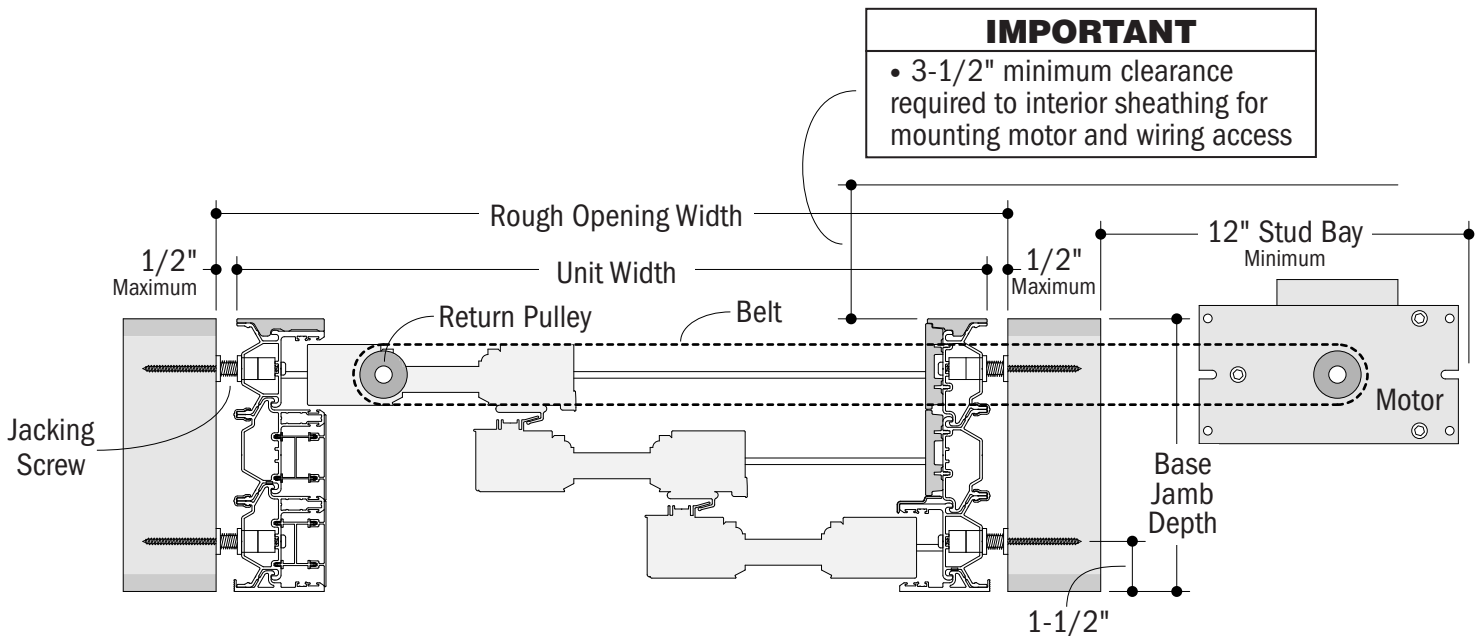
BIG DOOR 1-Way



AUTOMATION

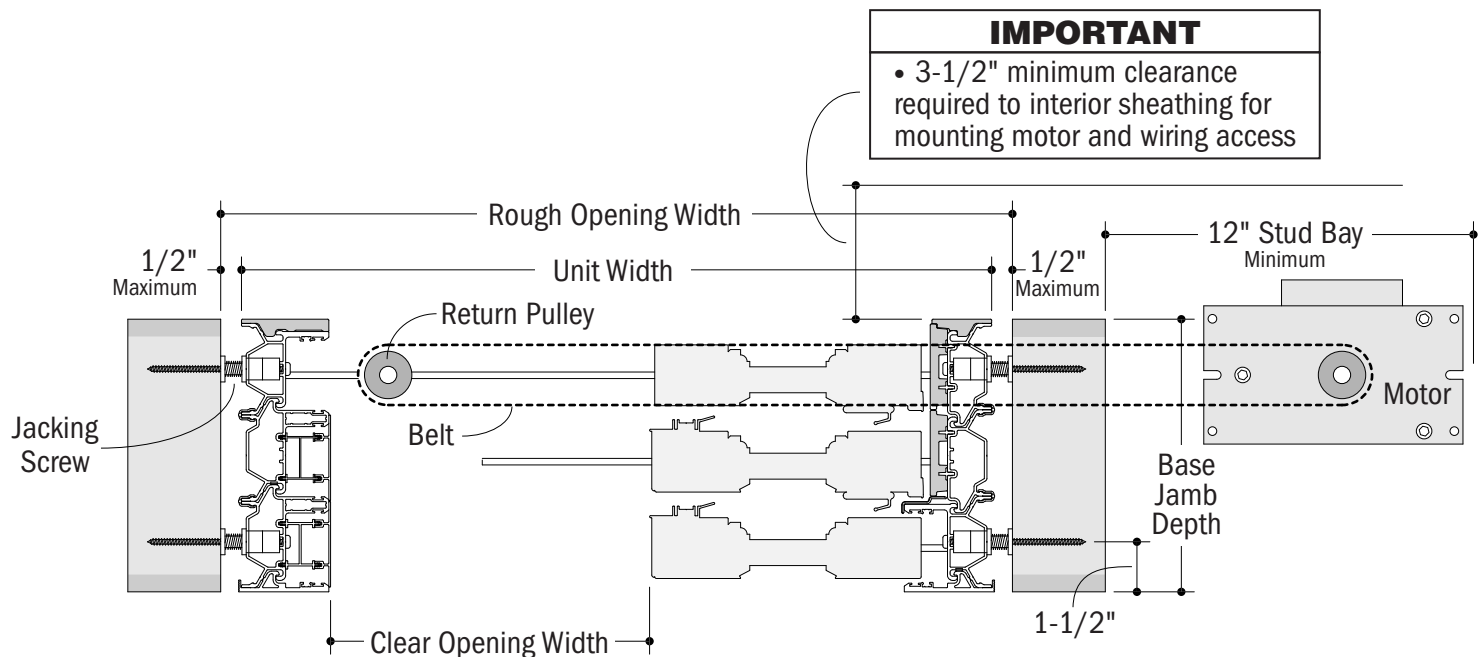


NO RETRACTABLE
SCREEN



ON-FLOOR DRAINAGE SILL or FLUSH SILL

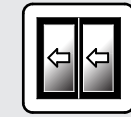
Jamb-Jamb Configuration (Closed)



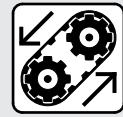
ON-FLOOR DRAINAGE SILL or FLUSH SILL

Jamb-Jamb Configuration (Open)

Typical Rough Framing
 One-Direction Panel Operation
 with Optional Automation
 without Retractable Insect Screen



BIG DOOR 1-Way

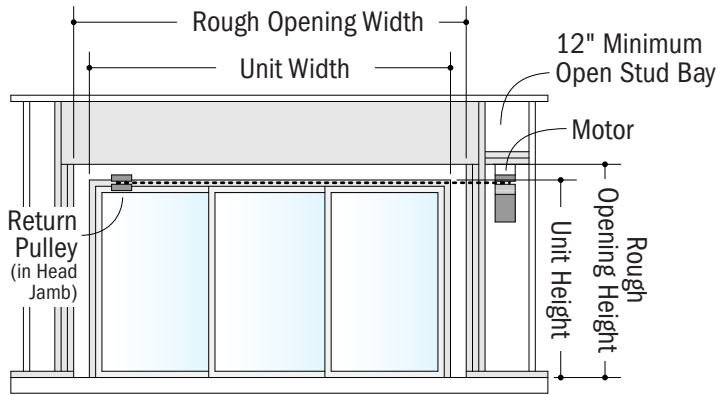


AUTOMATION

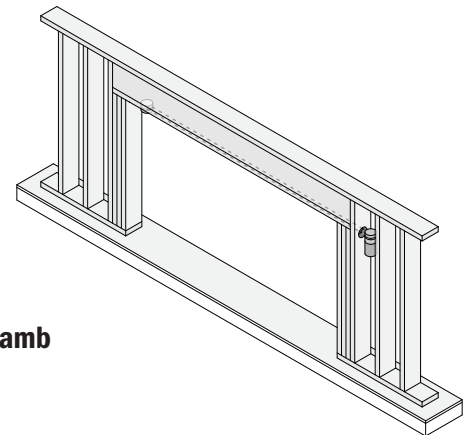


NO RETRACTABLE
SCREEN

Shown as viewed from the **EXTERIOR** without sheathing for clarity



Jamb-Jamb

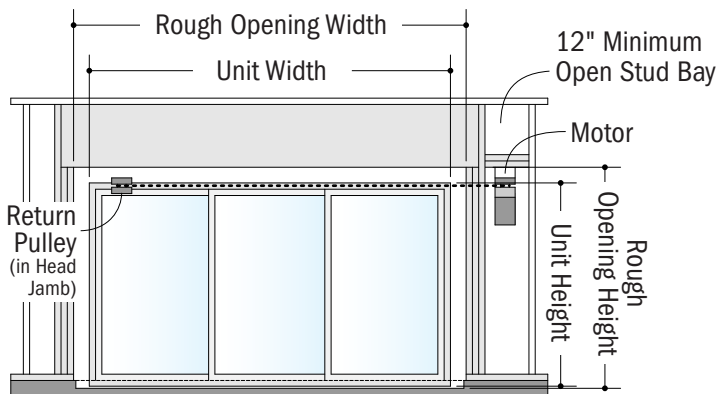


EXTERIOR

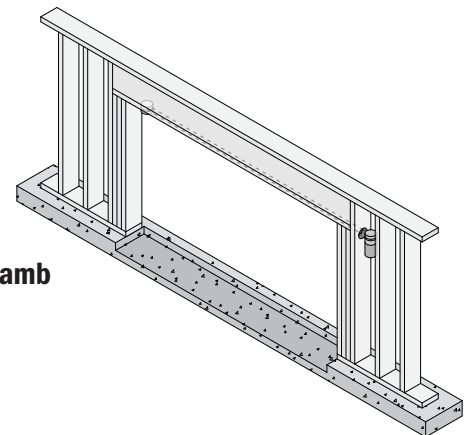
ON-FLOOR DRAINAGE SILL
 Wood or Concrete

IMPORTANT

- See the **Installation Site Specifications** for header requirements.

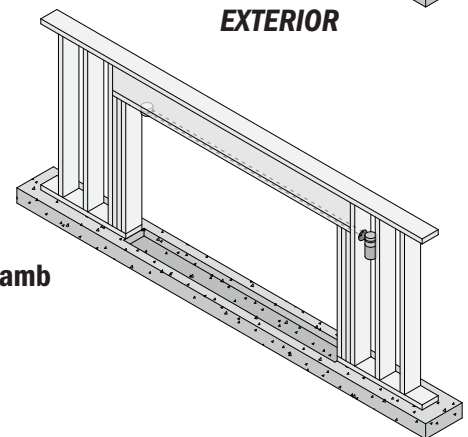


Jamb-Jamb



EXTERIOR

Jamb-Jamb



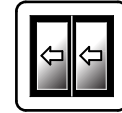
EXTERIOR

FLUSH SILL
 Concrete*

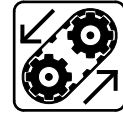
*Flush sill option is not recommended for wood floor construction

Horizontal Details

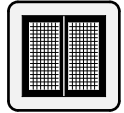
One-Direction Panel Operation (Closed)
with Optional Automation
with Retractable Insect Screen*



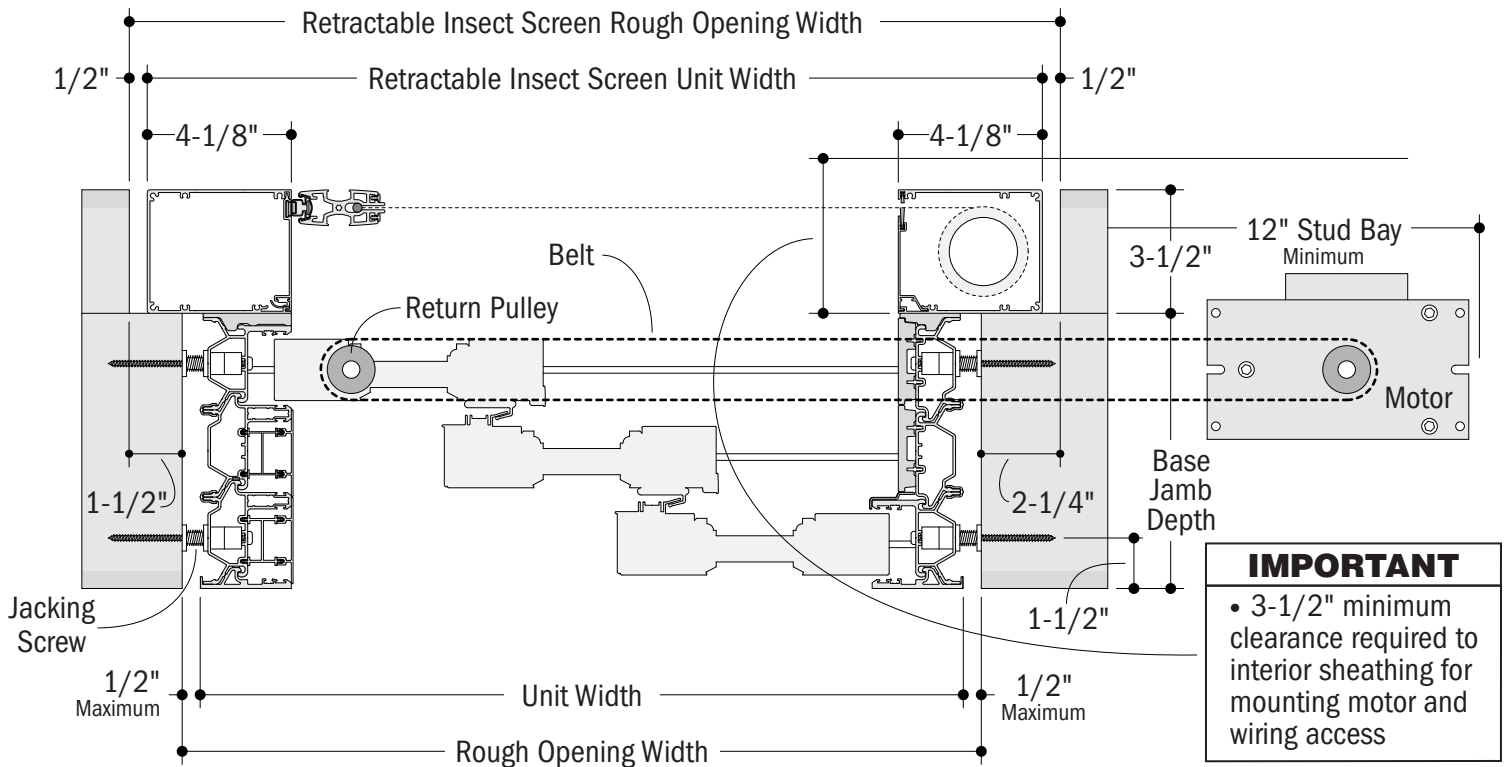
BIG DOOR 1-Way



AUTOMATION



RETRACTABLE
SCREEN



ON-FLOOR DRAINAGE SILL or FLUSH SILL Jamb-Jamb Configuration

*Retractable Insect Screen is not automated

Horizontal Details (continued)
One-Direction Panel Operation (Open)
 with Optional Automation
 with Retractable Insect Screen**



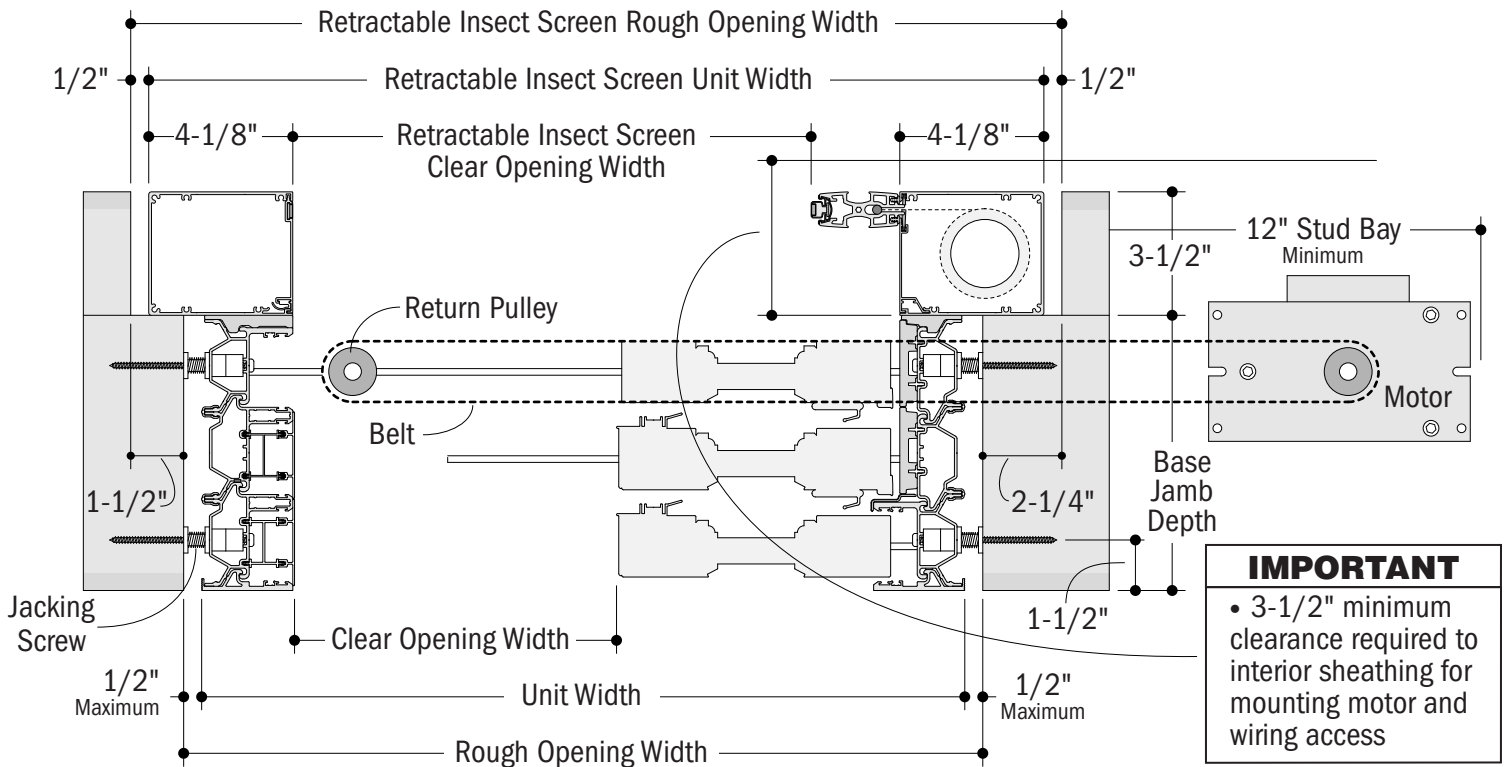
BIG DOOR 1-Way



AUTOMATION



RETRACTABLE SCREEN



IMPORTANT

- 3-1/2" minimum clearance required to interior sheathing for mounting motor and wiring access

ON-FLOOR DRAINAGE SILL
or FLUSH SILL
 Jamb-Jamb Configuration

**Retractable Insect Screen is not automated

Typical Rough Framing
 One-Direction Panel Operation
 with Optional Automation
 with Retractable Insect Screen**



BIG DOOR 1-Way

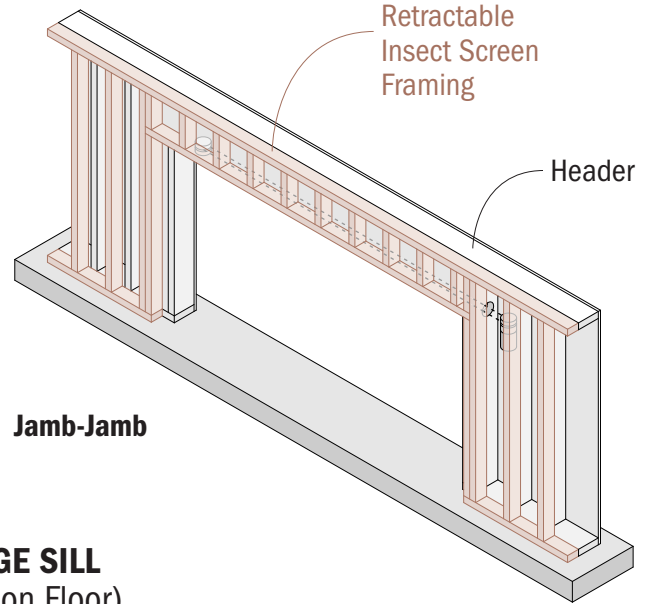
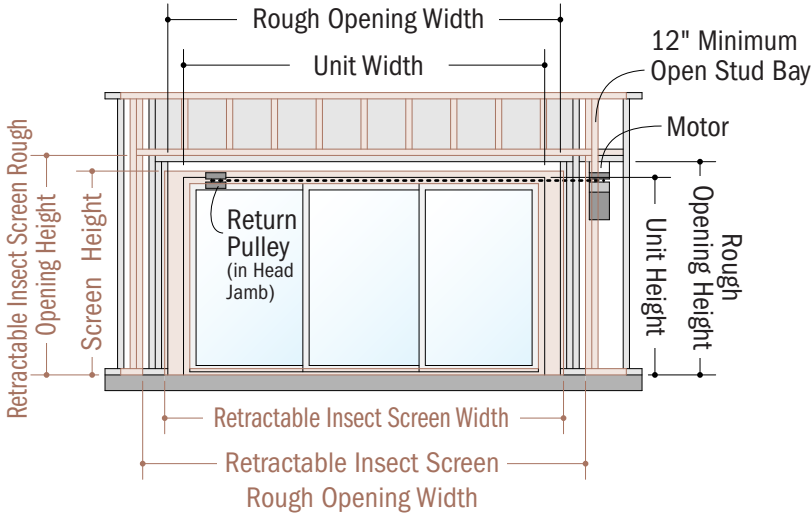


AUTOMATION



RETRACTABLE SCREEN

Shown as viewed from the **INTERIOR** without sheathing for clarity

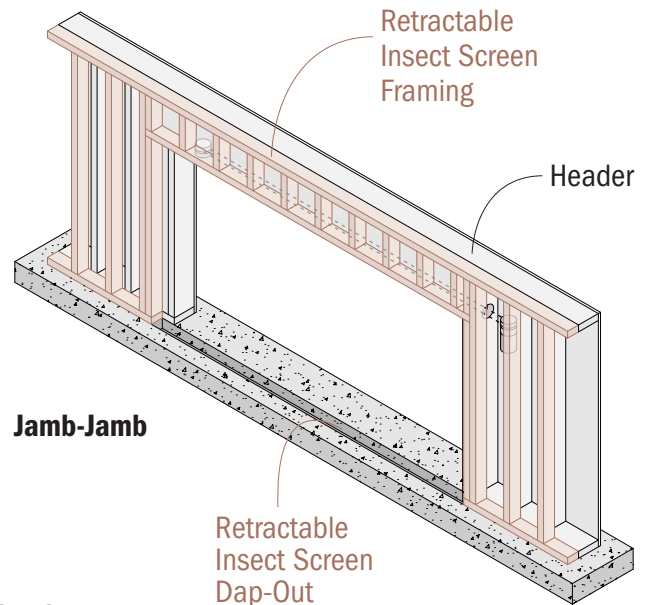
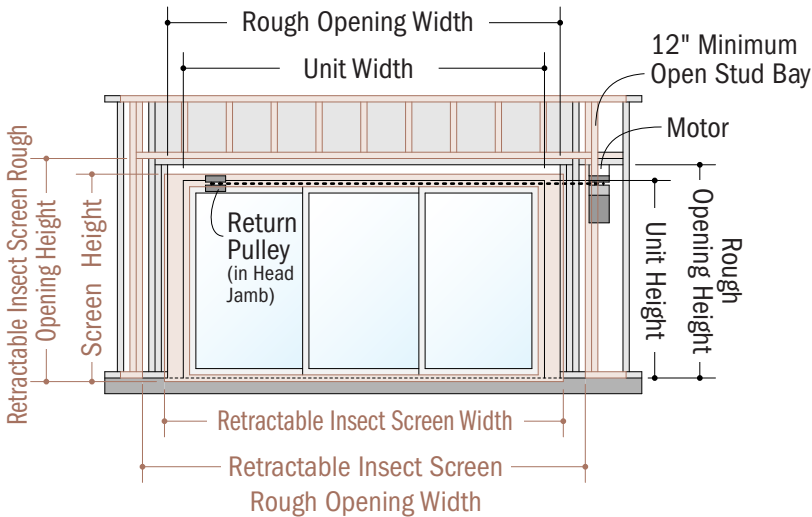


ON-FLOOR DRAINAGE SILL
 (Screen Track Bottom on Floor)
 Wood or Concrete

INTERIOR

IMPORTANT

- See the **Installation Site Specifications** for header requirements.



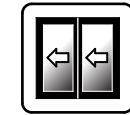
ON-FLOOR DRAINAGE SILL
 (Screen Track Flush with On-Floor Drainage Sill)
 Concrete*

INTERIOR

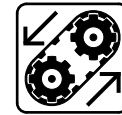
*Retractable Insect Screen dap-out option is not recommended for wood floor construction

**Retractable Insect Screen is not automated

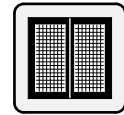
Typical Rough Framing (continued)
 One-Direction Panel Operation
 with Optional Automation
 with Retractable Insect Screen**



BIG DOOR 1-Way

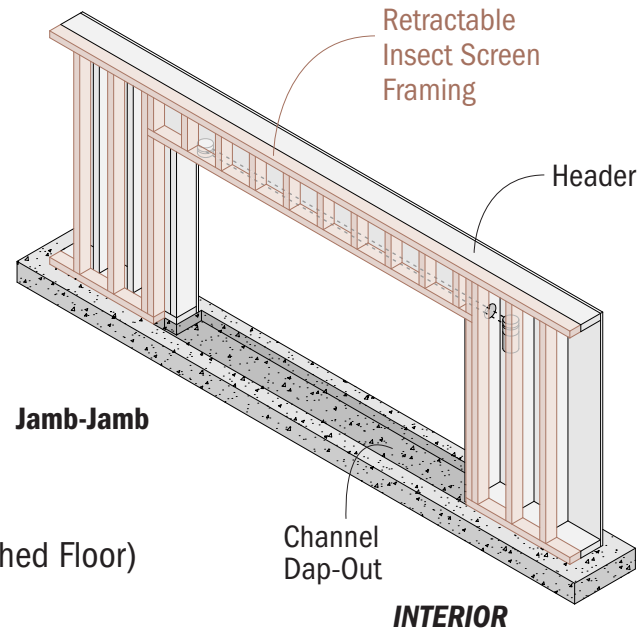
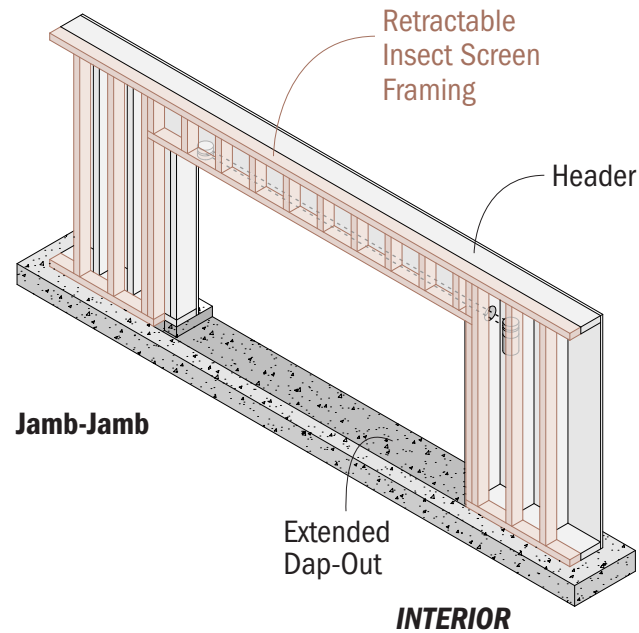
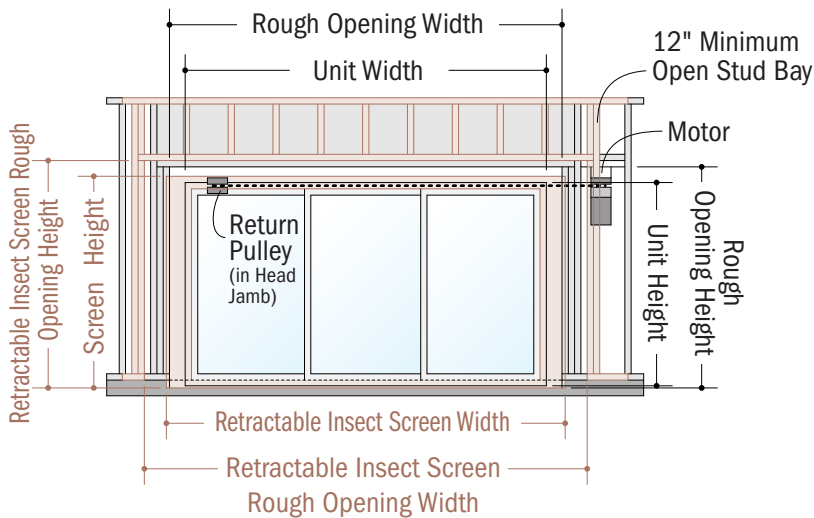


AUTOMATION



RETRACTABLE SCREEN

Shown as viewed from the **INTERIOR** without sheathing for clarity



FLUSH SILL
 (Screen Track Flush with Finished Floor)
 Concrete*

IMPORTANT

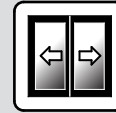
- See the **Installation Site Specifications** for header requirements.

*Flush sill option is not recommended for wood floor construction

**Retractable Insect Screen is not automated

Horizontal Details

Two-Direction Panel Operation (Closed and Open)
without Optional Automation
without Retractable Insect Screen



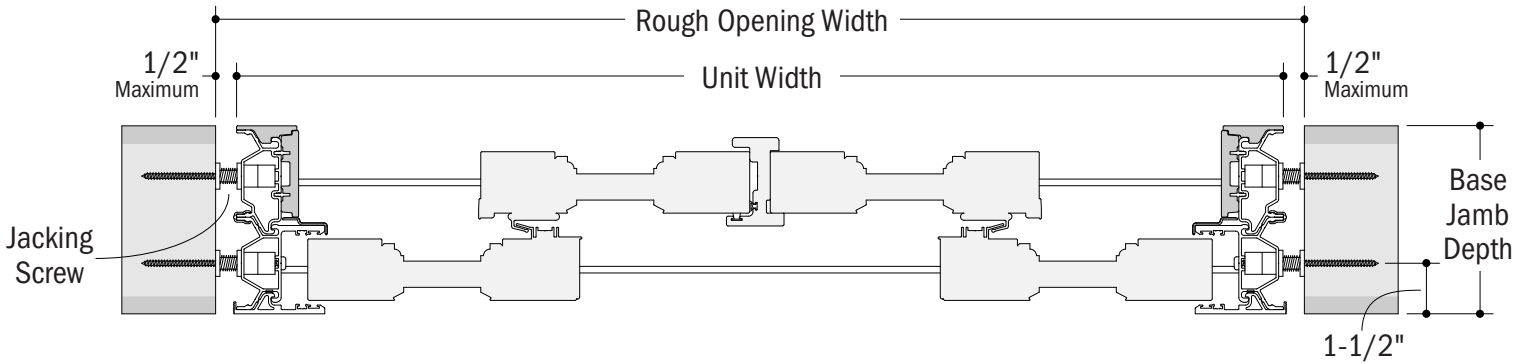
BIG DOOR 2-Way



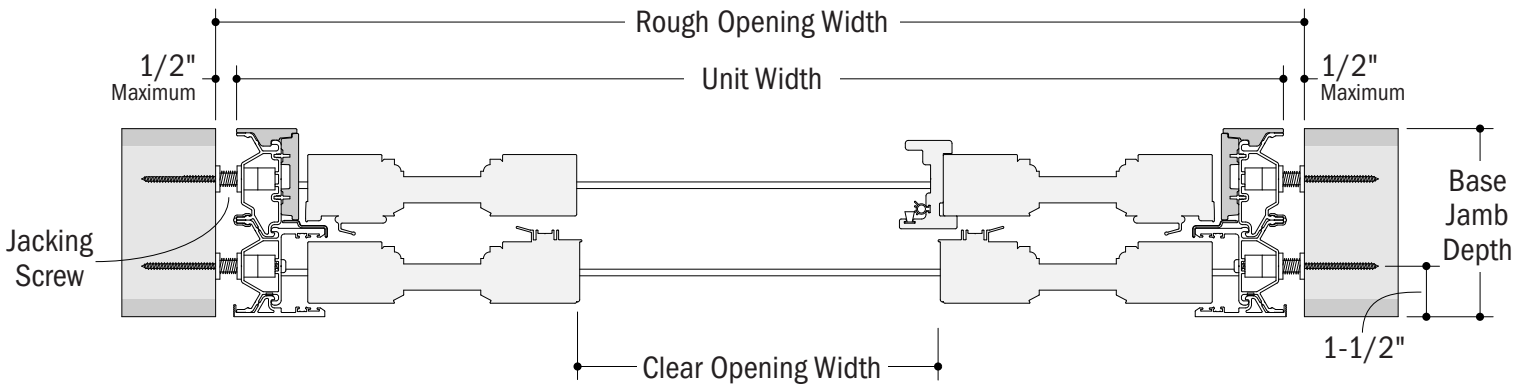
NO AUTOMATION



NO RETRACTABLE
SCREEN



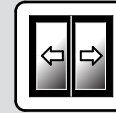
**ON-FLOOR DRAINAGE SILL
or FLUSH SILL**
Jamb-Jamb Configuration (Closed)



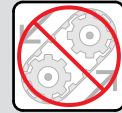
**ON-FLOOR DRAINAGE SILL
or FLUSH SILL**
Jamb-Jamb Configuration (Open)

Typical Rough Framing

Two-Direction Panel Operation
without Optional Automation
without Retractable Insect Screen



BIG DOOR 2-Way

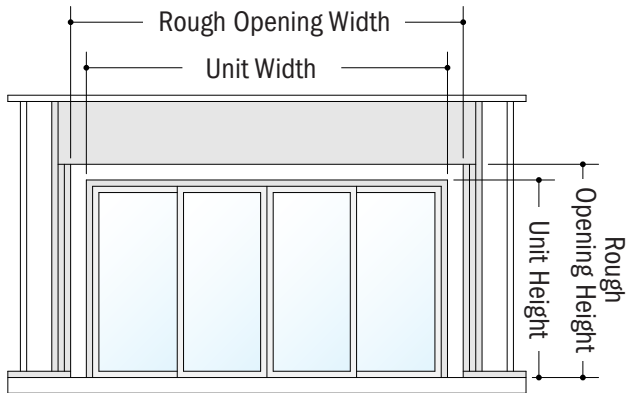


NO AUTOMATION

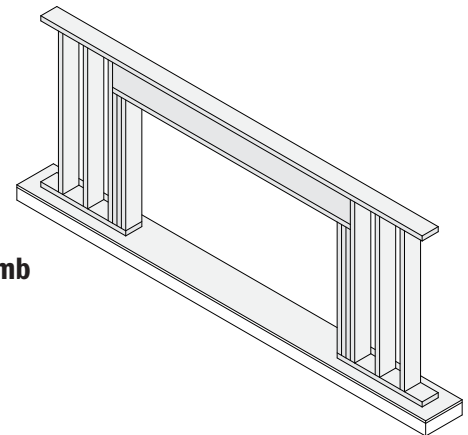


NO RETRACTABLE
SCREEN

Shown as viewed from the **EXTERIOR** without sheathing for clarity



Jamb-Jamb



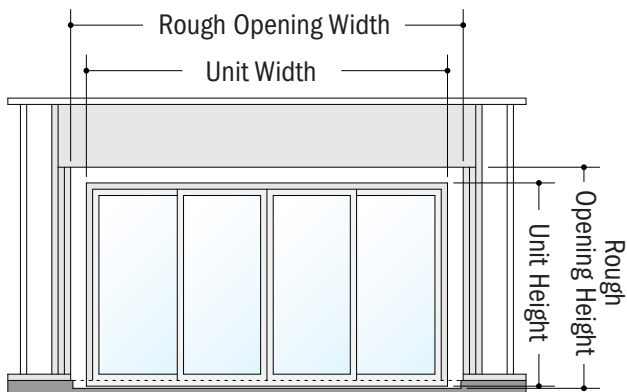
EXTERIOR

ON-FLOOR DRAINAGE SILL

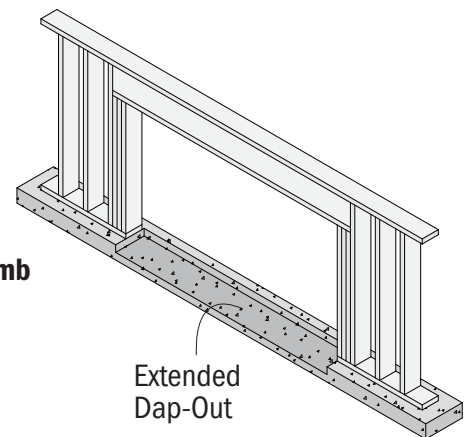
Wood or Concrete

IMPORTANT

- See the **Installation Site Specifications** for header requirements.



Jamb-Jamb



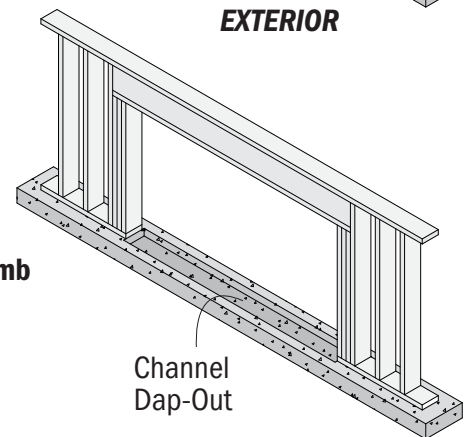
Extended
Dap-Out

EXTERIOR

FLUSH SILL

Concrete*

Jamb-Jamb



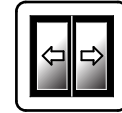
Channel
Dap-Out

EXTERIOR

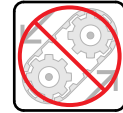
*Flush sill option is not recommended for wood floor construction

Horizontal Details

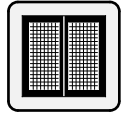
Two-Direction Panel Operation (Closed and Open)
without Optional Automation
with Retractable Insect Screen*



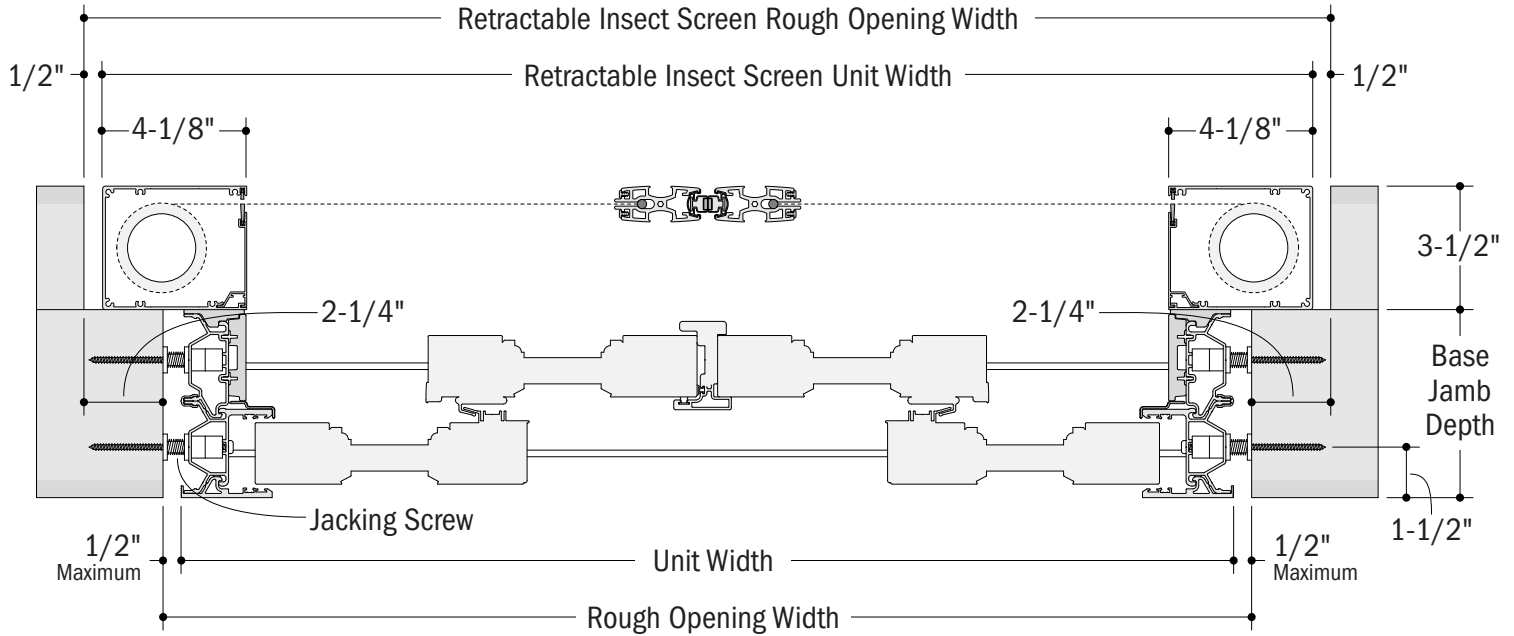
BIG DOOR 2-Way



NO AUTOMATION

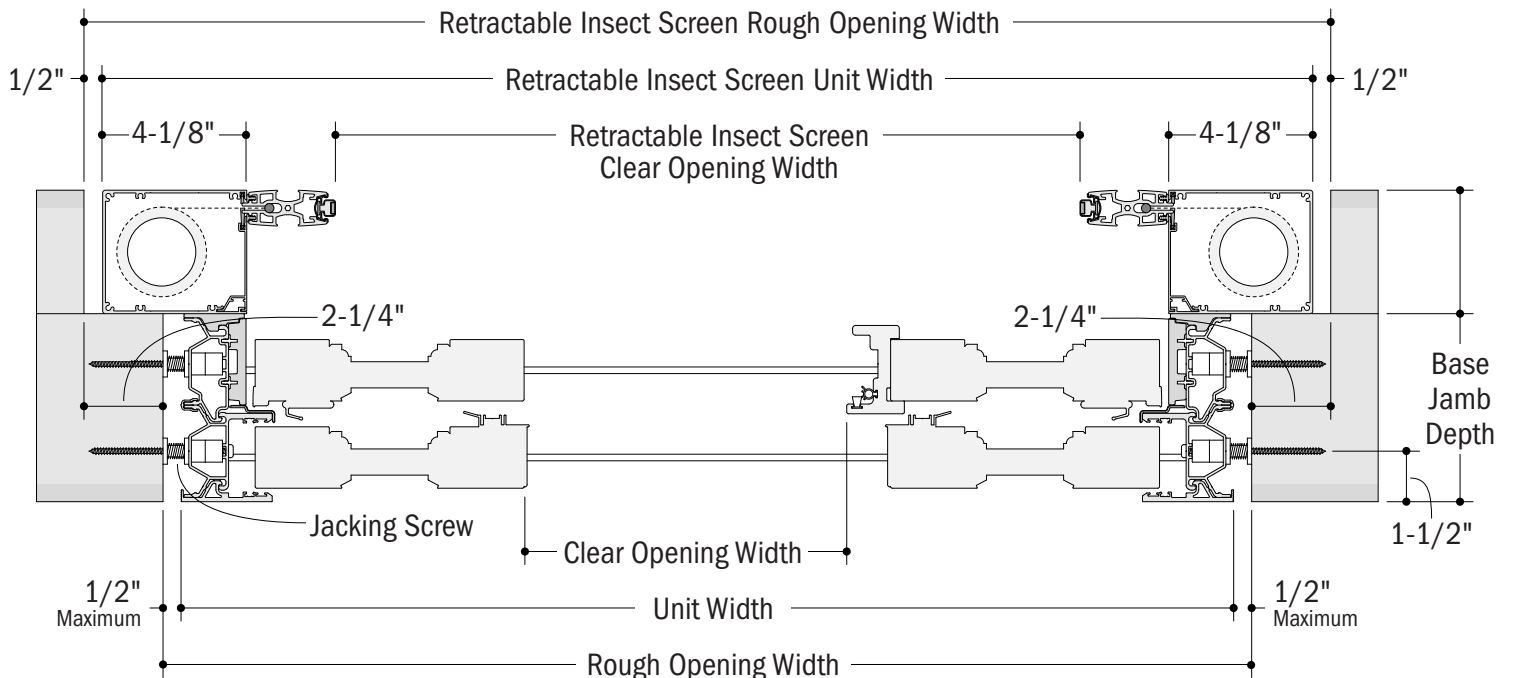


RETRACTABLE
SCREEN



ON-FLOOR DRAINAGE SILL or FLUSH SILL

Jamb-Jamb Configuration (Closed)



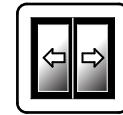
ON-FLOOR DRAINAGE SILL or FLUSH SILL

Jamb-Jamb Configuration (Open)

*Retractable Insect Screen is not automated

Typical Rough Framing

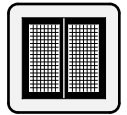
Two-Direction Panel Operation
without Optional Automation
with Retractable Insect Screen**



BIG DOOR 2-Way

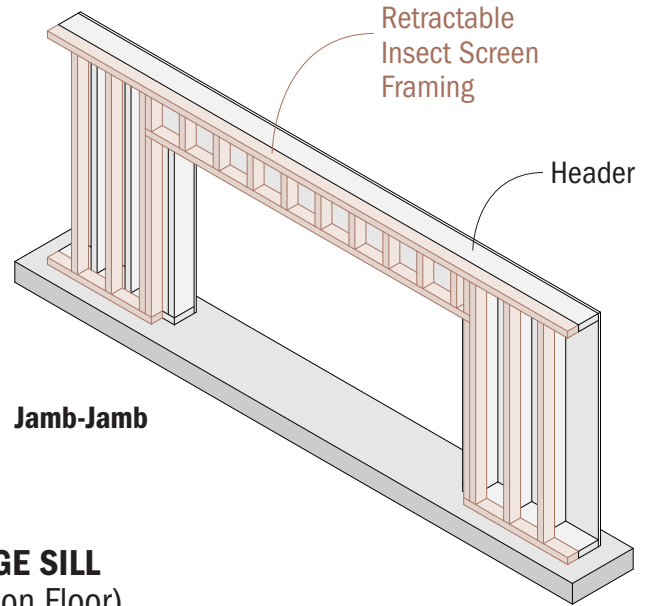
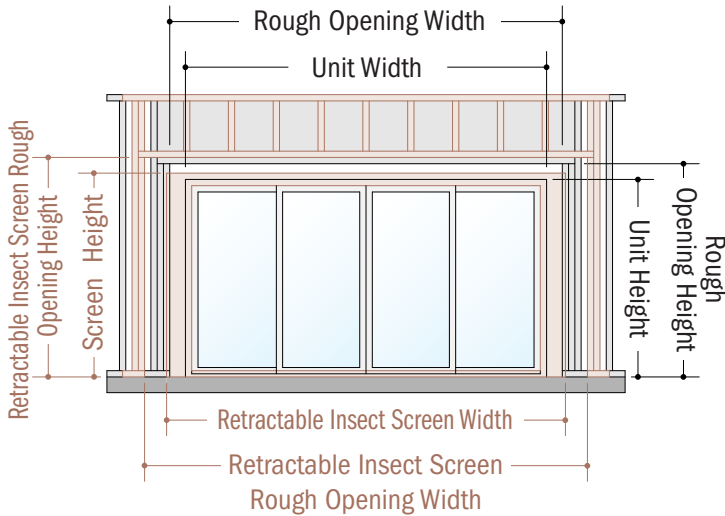


NO AUTOMATION



RETRACTABLE SCREEN

Shown as viewed from the **INTERIOR** without sheathing for clarity

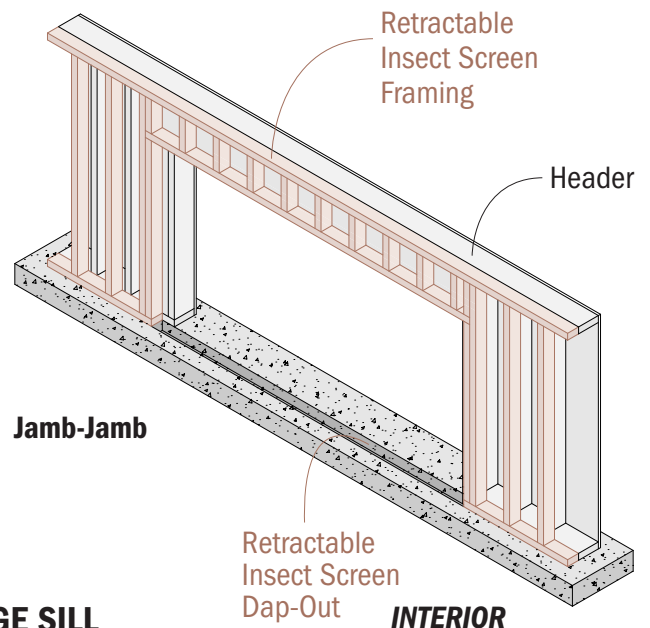
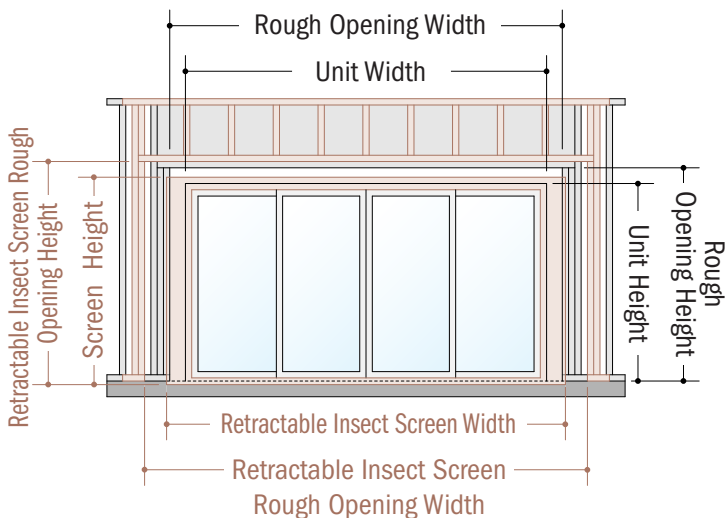


ON-FLOOR DRAINAGE SILL
(Screen Track Bottom on Floor)
Wood or Concrete

INTERIOR

IMPORTANT

- See the **Installation Site Specifications** for header requirements.



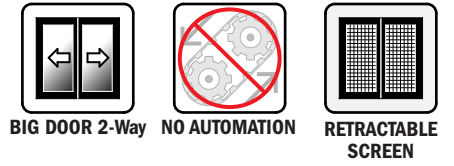
ON-FLOOR DRAINAGE SILL
(Retractable Insect Screen Track Flush with On-Floor Drainage Sill)
Concrete*

INTERIOR

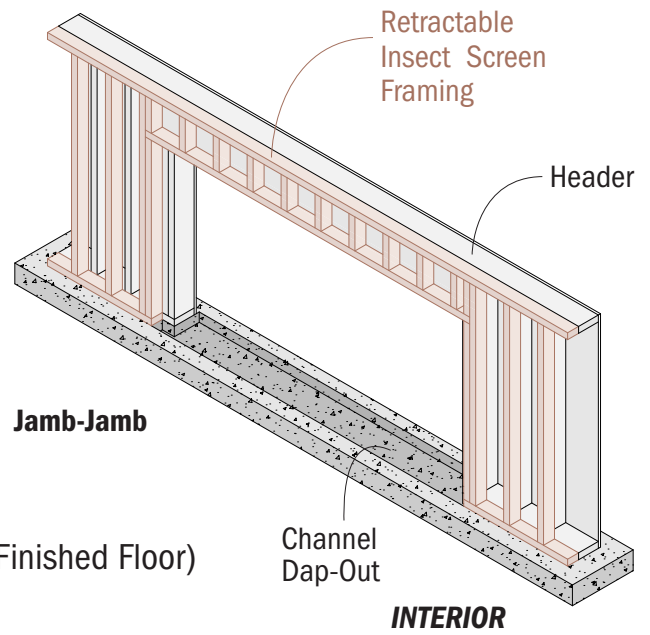
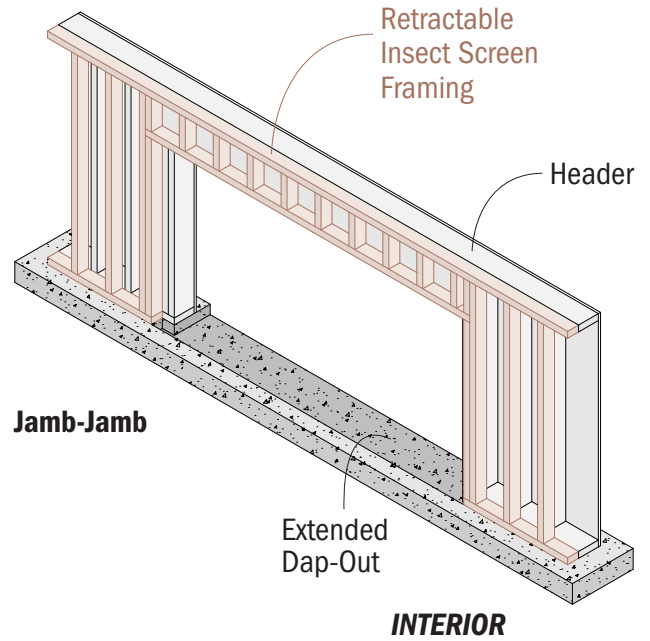
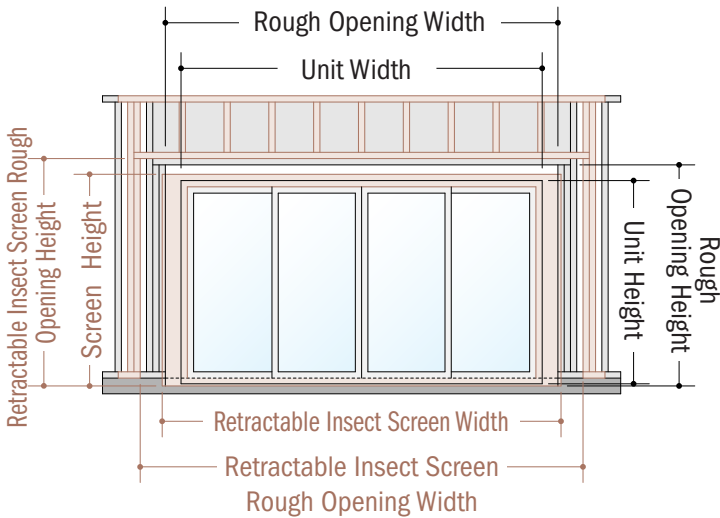
*Retractable Insect Screen dap-out option is not recommended for wood floor construction

**Retractable Insect Screen is not automated

Typical Rough Framing (continued)
 Two-Direction Panel Operation
 without Optional Automation
 with Retractable Insect Screen**



Shown as viewed from the **INTERIOR** without sheathing for clarity



FLUSH SILL
 (Retractable Insect Screen Track Flush with Finished Floor)
 Concrete*

IMPORTANT

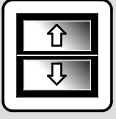
- See the **Installation Site Specifications** for header requirements.

*Flush sill option is not recommended for wood floor construction

**Retractable Insect Screen is not automated

Horizontal Details

Two-Direction Panel Operation (Closed)
with Optional Automation
without Retractable Insect Screen



BIG DOOR 2-Way



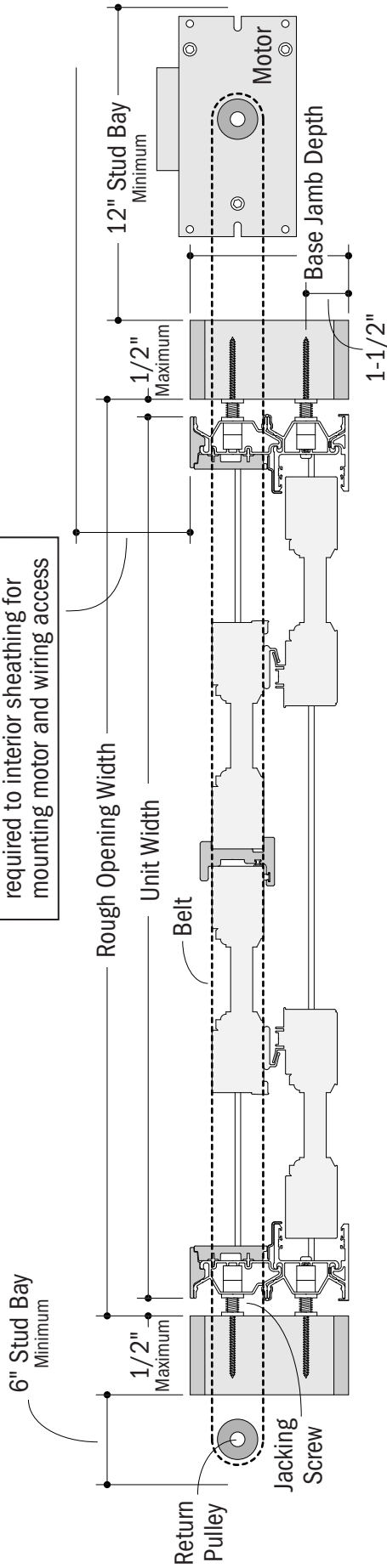
AUTOMATION



NO RETRACTABLE
SCREEN

IMPORTANT

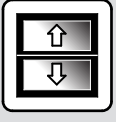
- 3-1/2" minimum clearance required to interior sheathing for mounting motor and wiring access



ON-FLOOR DRAINAGE SILL or FLUSH SILL

Jamb-Jamb Configuration

Horizontal Details (continued)
 Two-Direction Panel Operation (Open)
 with Optional Automation
 without Retractable Insect Screen



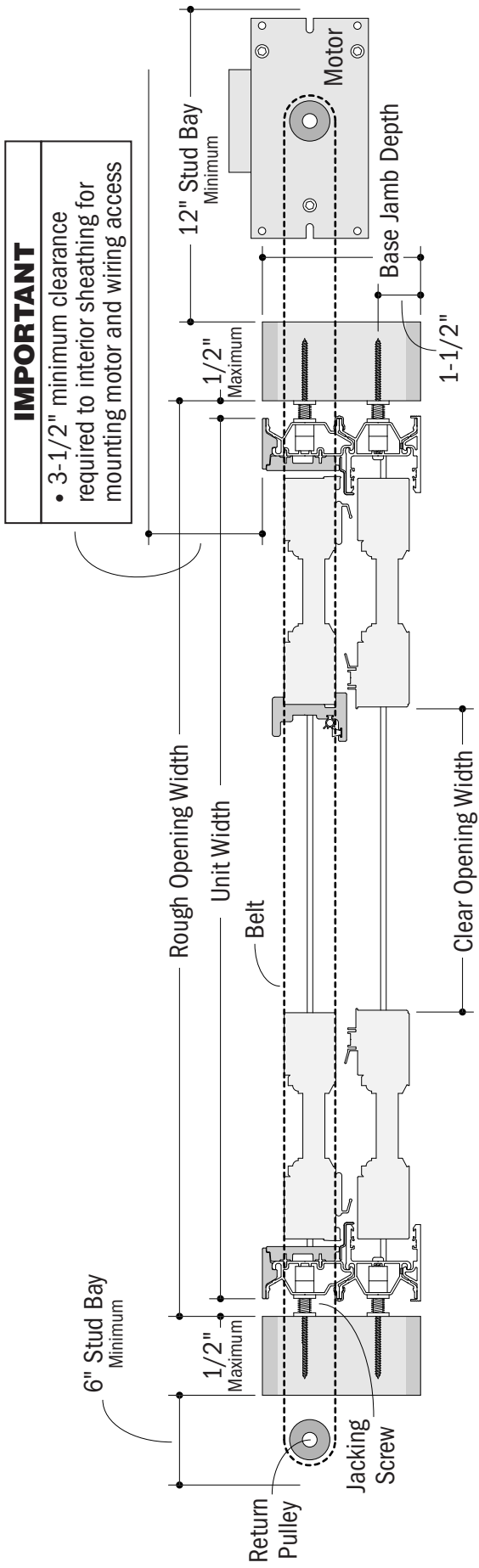
BIG DOOR 2-Way



AUTOMATION

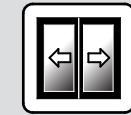


NO RETRACTABLE SCREEN

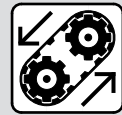


**ON-FLOOR DRAINAGE SILL
 or FLUSH SILL**
 Jamb-Jamb Configuration

Typical Rough Framing
 Two-Direction Panel Operation
 with Optional Automation
 without Retractable Insect Screen



BIG DOOR 2-Way

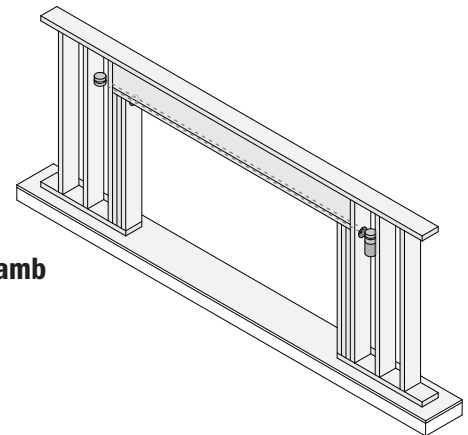
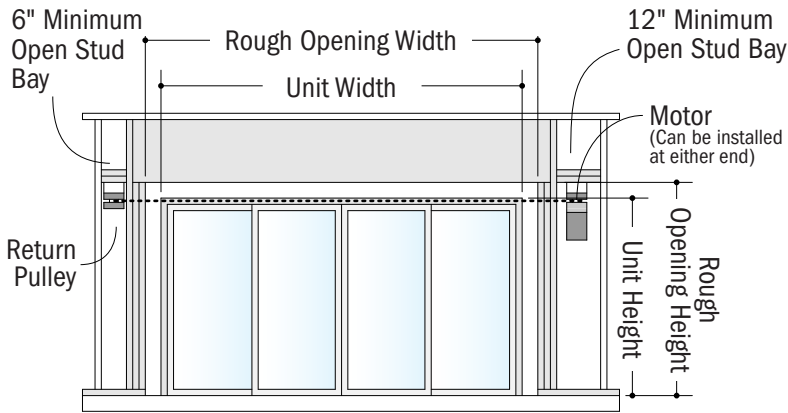


AUTOMATION



NO RETRACTABLE
SCREEN

Shown as viewed from the **EXTERIOR** without sheathing for clarity



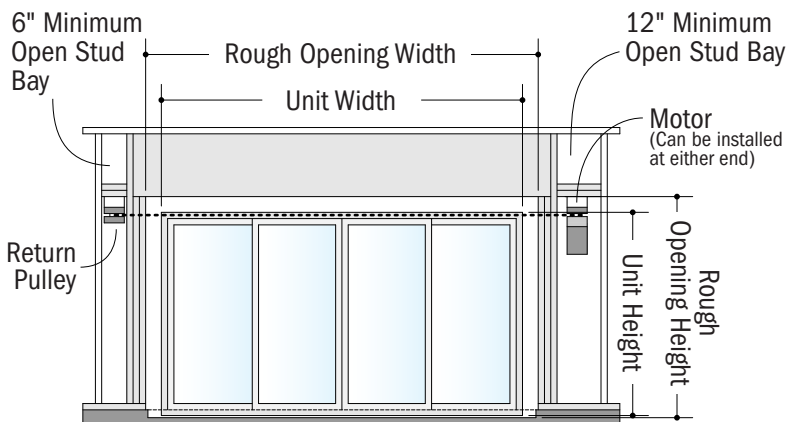
Jamb-Jamb

EXTERIOR

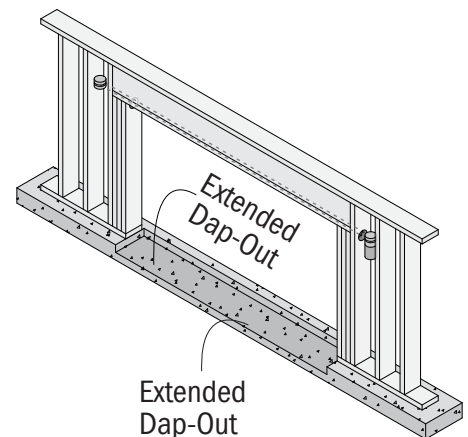
ON-FLOOR DRAINAGE SILL
 Wood or Concrete

IMPORTANT

- See the **Installation Site Specifications** for header requirements.

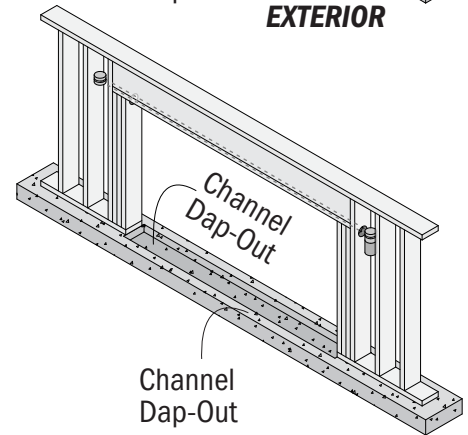


Jamb-Jamb



Extended Dap-Out

EXTERIOR



Channel Dap-Out

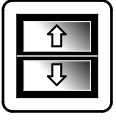
EXTERIOR

FLUSH SILL
 Concrete*

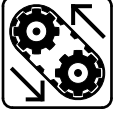
*Flush sill option is not recommended for wood floor construction

Horizontal Details

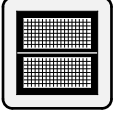
Two-Direction Panel Operation (Closed)
with Optional Automation
with Retractable Insect Screen*



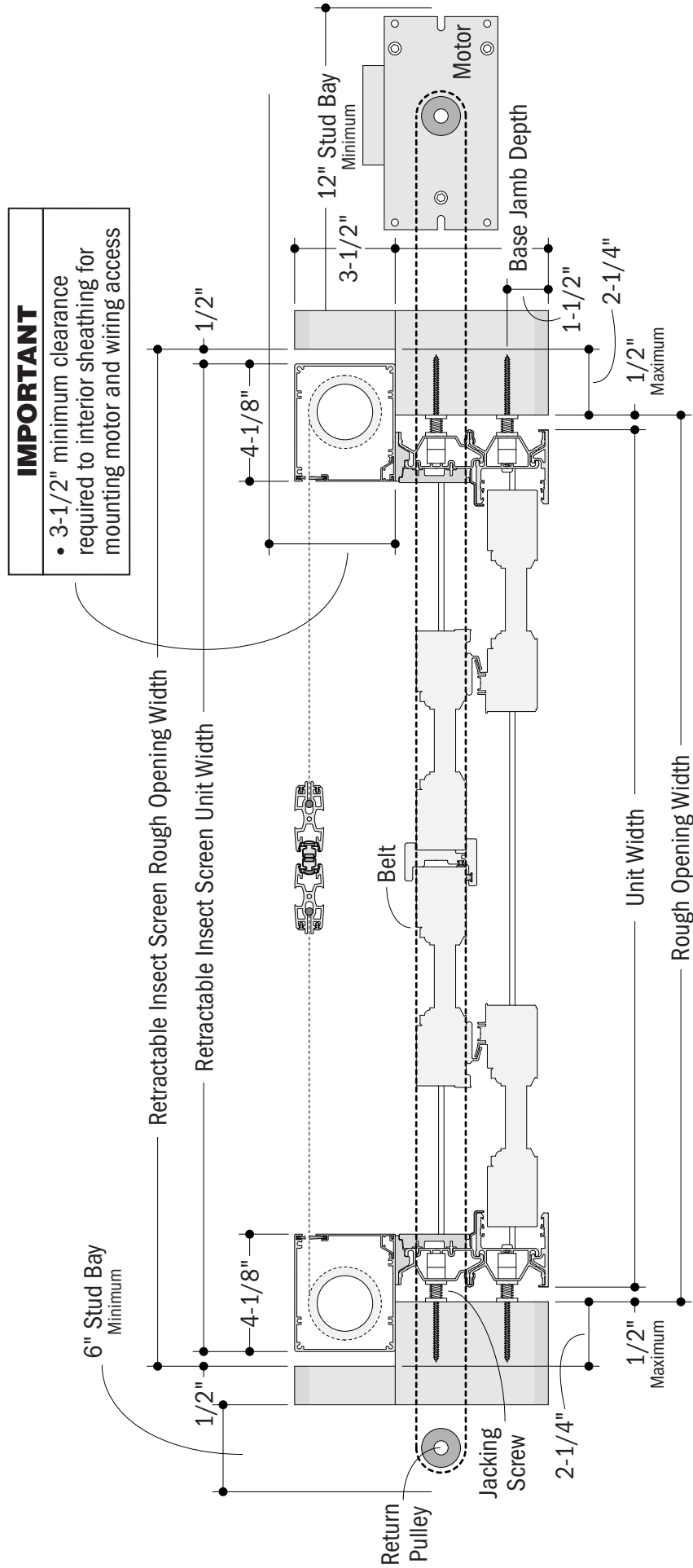
BIG DOOR 2-Way



AUTOMATION



RETRACTABLE SCREEN

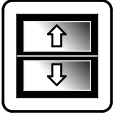


ON-FLOOR DRAINAGE SILL or FLUSH SILL

Jamb-Jamb Configuration

*Retractable Screen is not automated

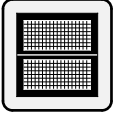
Horizontal Details (continued)
 Two-Direction Panel Operation (Open)
 with Optional Automation
 with Retractable Insect Screen*



BIG DOOR 2-Way



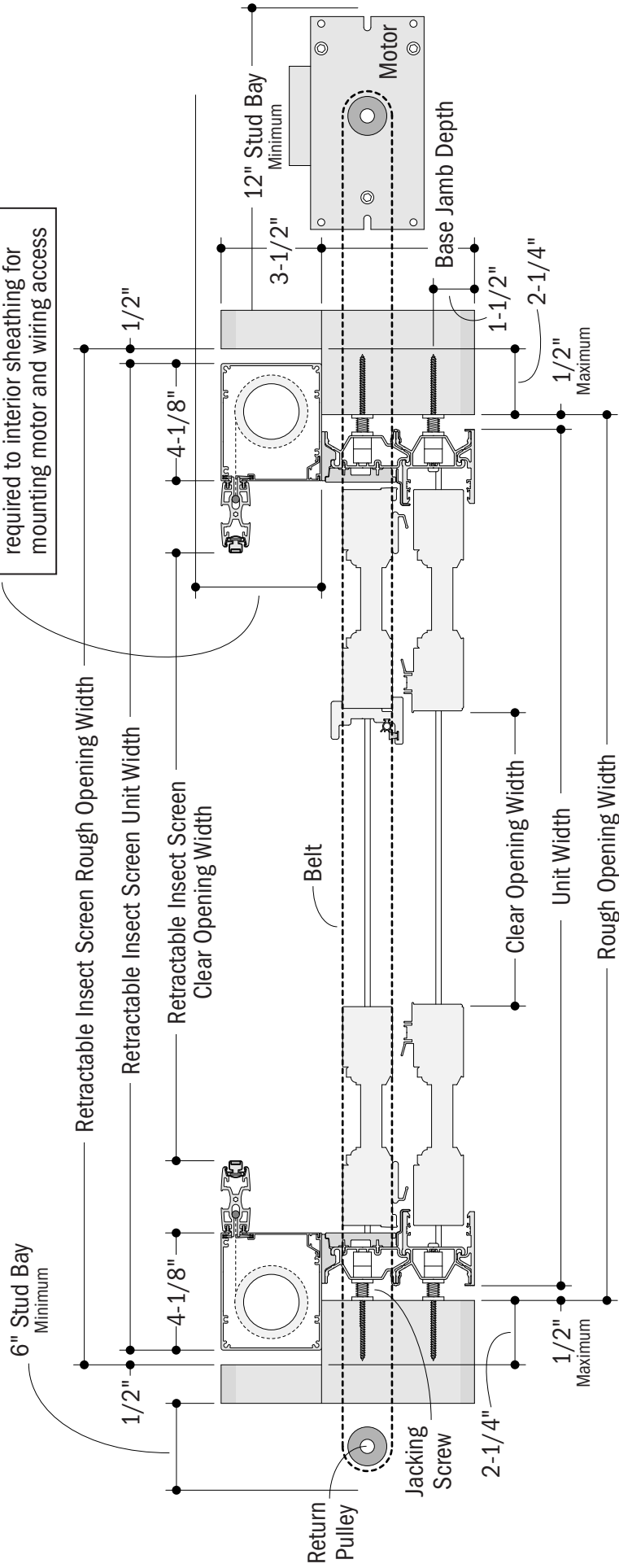
AUTOMATION



RETRACTABLE SCREEN

IMPORTANT

- 3-1/2" minimum clearance required to interior sheathing for mounting motor and wiring access



**ON-FLOOR DRAINAGE SILL
 or FLUSH SILL**
 Jamb-Jamb Configuration

*Retractable Screen is not automated

Typical Rough Framing

Two-Direction Panel Operation
with Optional Automation
with Retractable Insect Screen**



BIG DOOR 2-Way

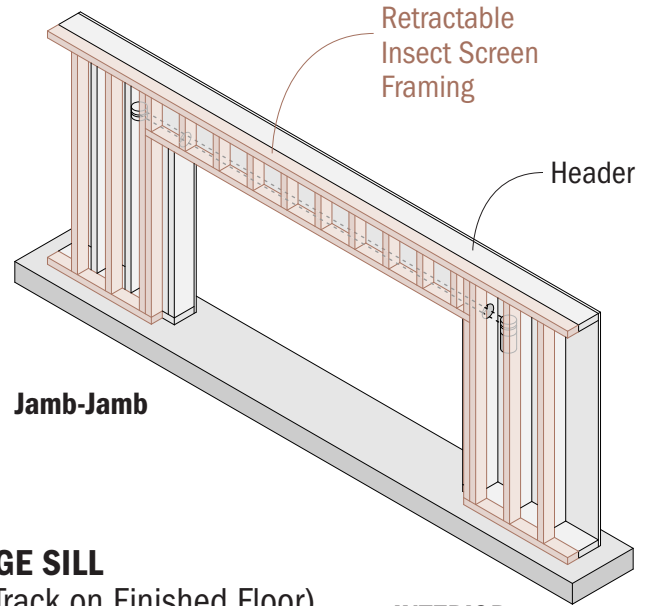
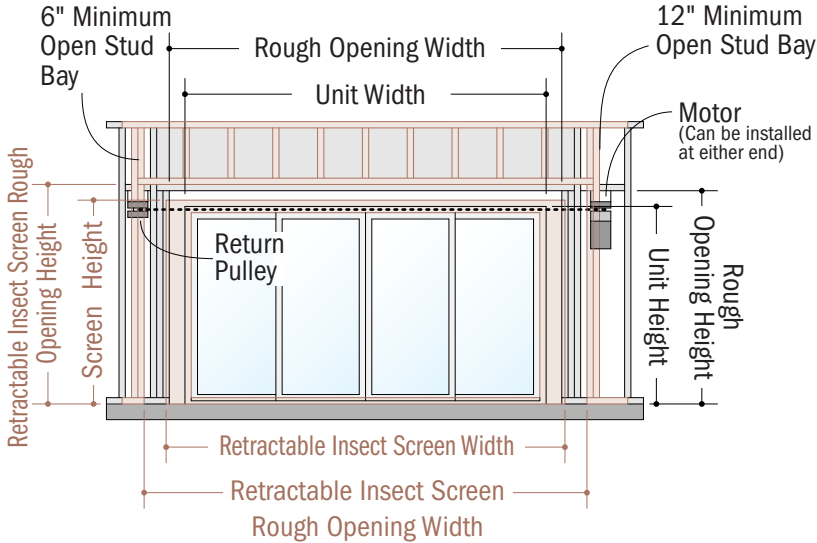


AUTOMATION



RETRACTABLE SCREEN

Shown as viewed from the **INTERIOR** without sheathing for clarity

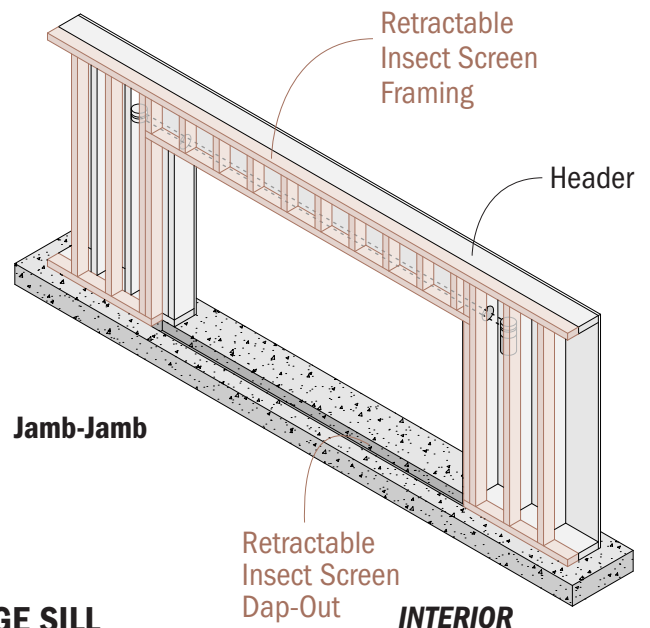
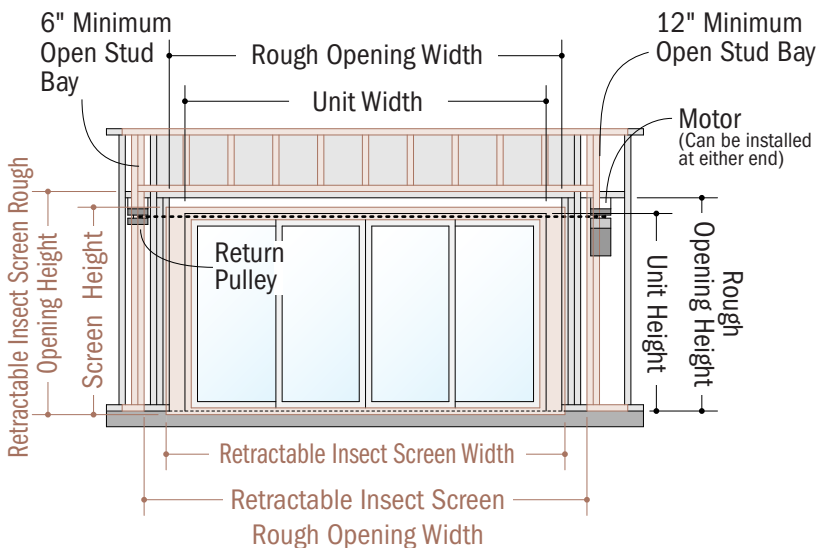


ON-FLOOR DRAINAGE SILL

(Bottom Retractable Insect Screen Track on Finished Floor)
Wood or Concrete

INTERIOR

IMPORTANT
<ul style="list-style-type: none"> • See the Installation Site Specifications for header requirements.



ON-FLOOR DRAINAGE SILL

(Screen Track Flush with On-Floor Drainage Sill)
Concrete*

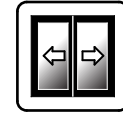
INTERIOR

*Retractable Insect Screen dap-out option is not recommended for wood floor construction

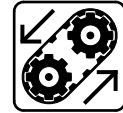
**Retractable Insect Screen is not automated

Typical Rough Framing (continued)

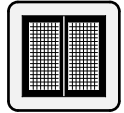
Two-Direction Panel Operation
with Optional Automation
with Retractable Insect Screen**



BIG DOOR 2-Way

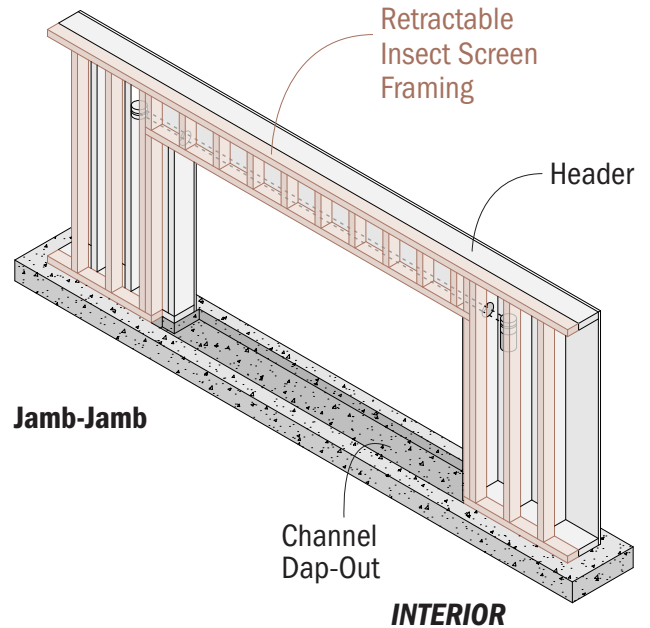
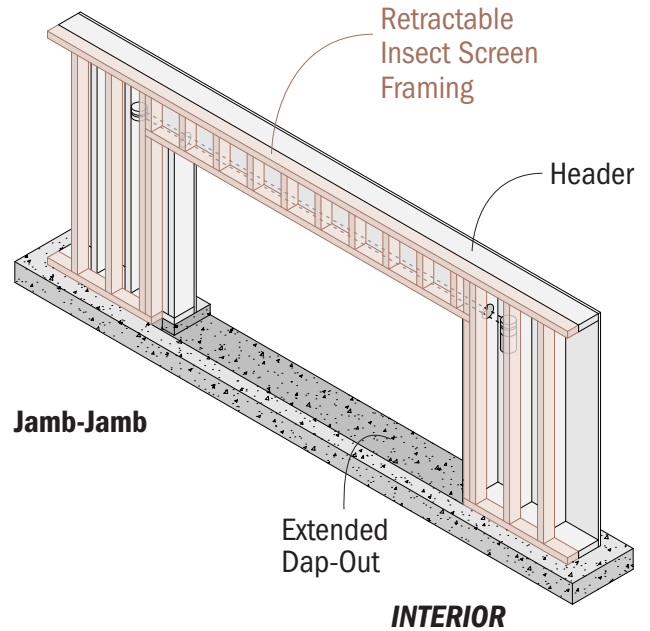
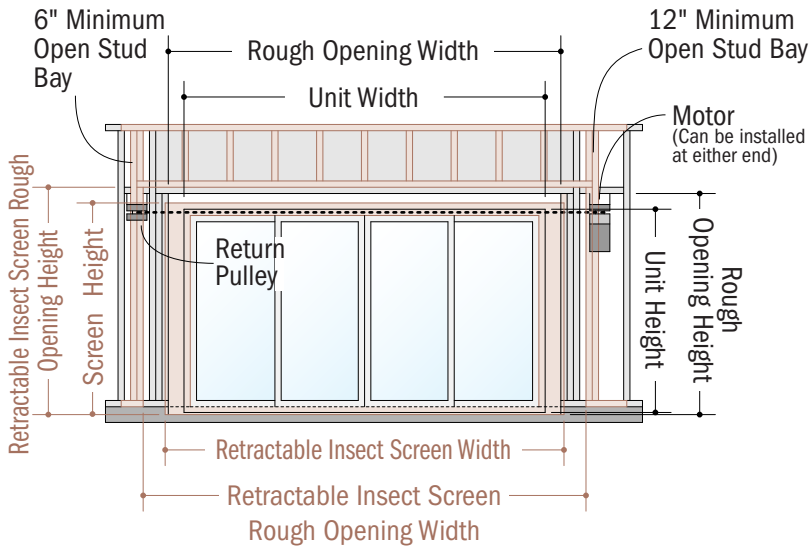


AUTOMATION



RETRACTABLE SCREEN

Shown as viewed from the **INTERIOR** without sheathing for clarity



FLUSH SILL
(Retractable Insect Screen Track Flush with Finished Floor)
Concrete*

IMPORTANT

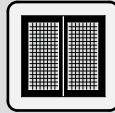
- See the **Installation Site Specifications** for header requirements.

*Flush sill option is not recommended for wood floor construction

**Retractable Screen is not automated

Sill Nose Option Details

One-Direction Panel Operation
 Two-Direction Panel Operation
 with or without Optional Automation
 with or without Retractable Insect Screen*



BIG DOOR 1-Way

BIG DOOR 2-Way

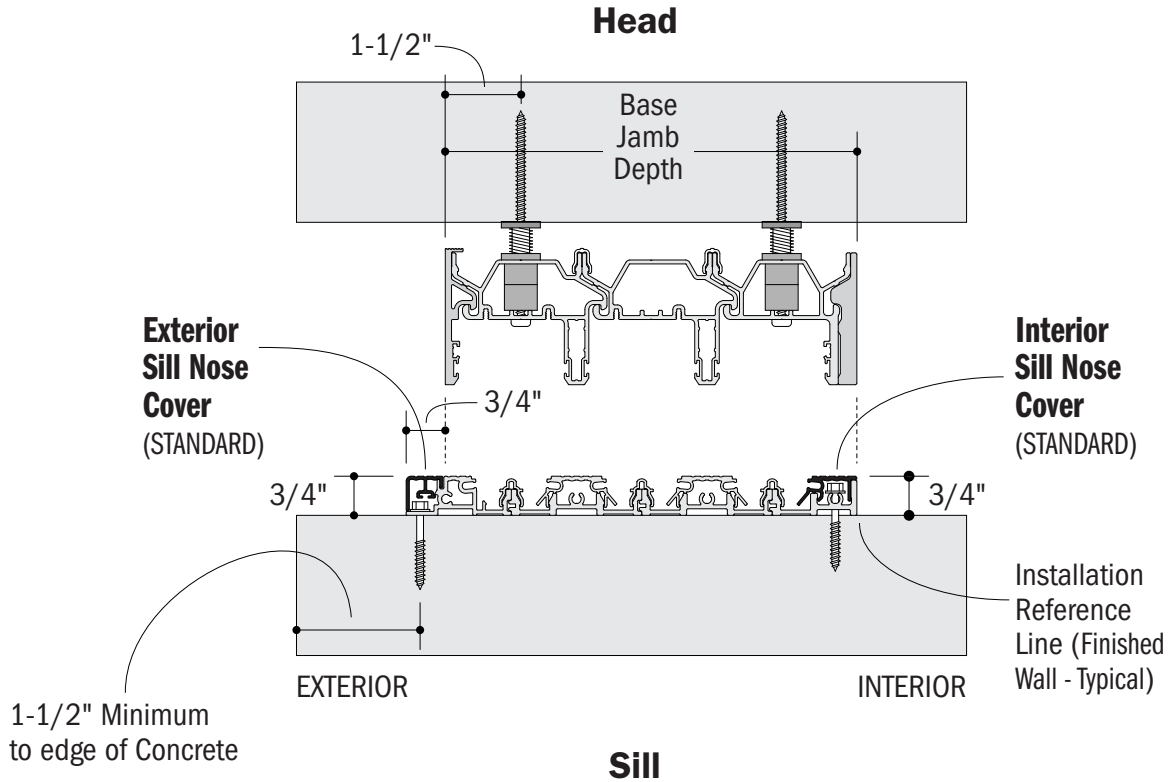
AUTOMATION

NO AUTOMATION

RETRACTABLE SCREEN

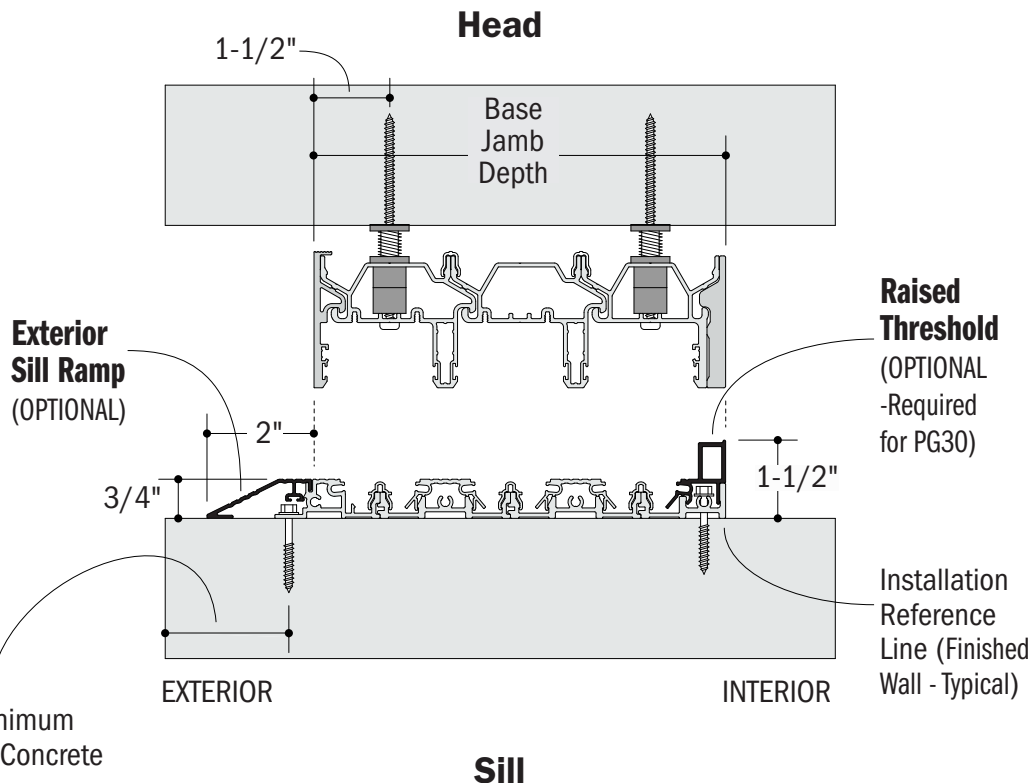
NO RETRACTABLE SCREEN

Standard Interior and Exterior Sill Nose Cover,
 Optional Exterior Sill Ramp, and Optional Raised Threshold



1-1/2" Minimum to edge of Concrete

Sill



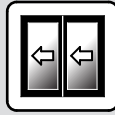
1-1/2" Minimum to edge of Concrete

Sill

*Retractable Insect Screen is not automated

Sill Nose Option Details (continued)

One-Direction Panel Operation
 Two-Direction Panel Operation
 with or without Optional Automation
 with or without Retractable Screen*



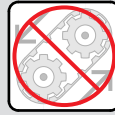
BIG DOOR 1-Way



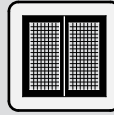
BIG DOOR 2-Way



AUTOMATION



NO AUTOMATION

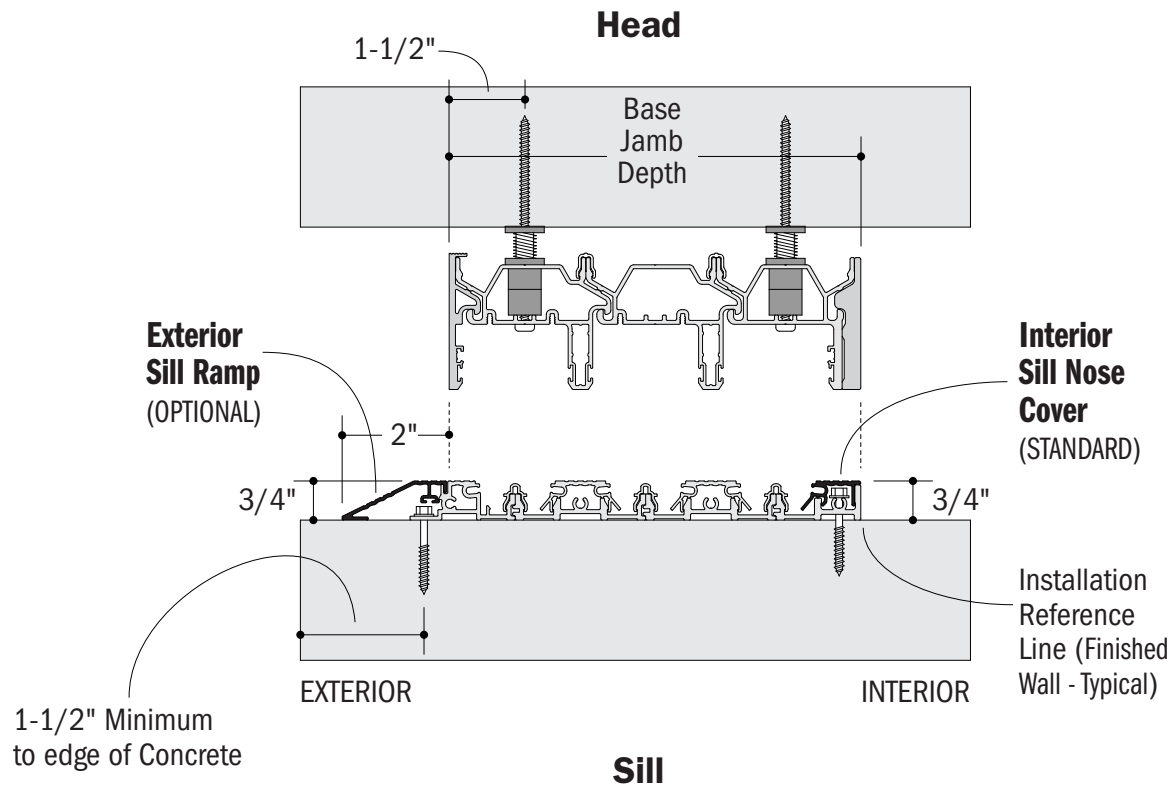
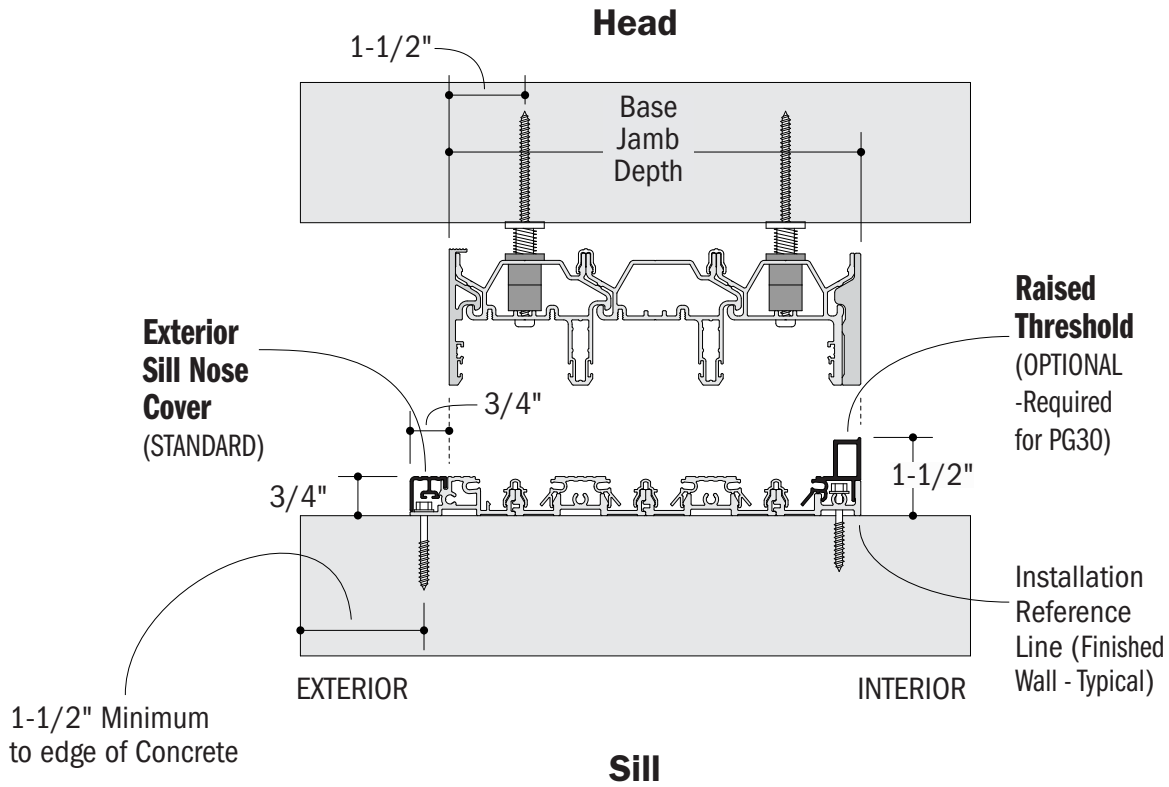


RETRACTABLE SCREEN



NO RETRACTABLE SCREEN

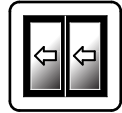
Standard Interior and Exterior Sill Nose Cover,
 Optional Exterior Sill Ramp, and Optional Raised Threshold



*Retractable Insect Screen is not automated

Sill Nose Option Details

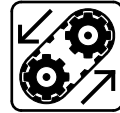
One-Direction Panel Operation
Two-Direction Panel Operation
with or without Optional Automation
without Retractable Screen



BIG DOOR 1-Way



BIG DOOR 2-Way



AUTOMATION

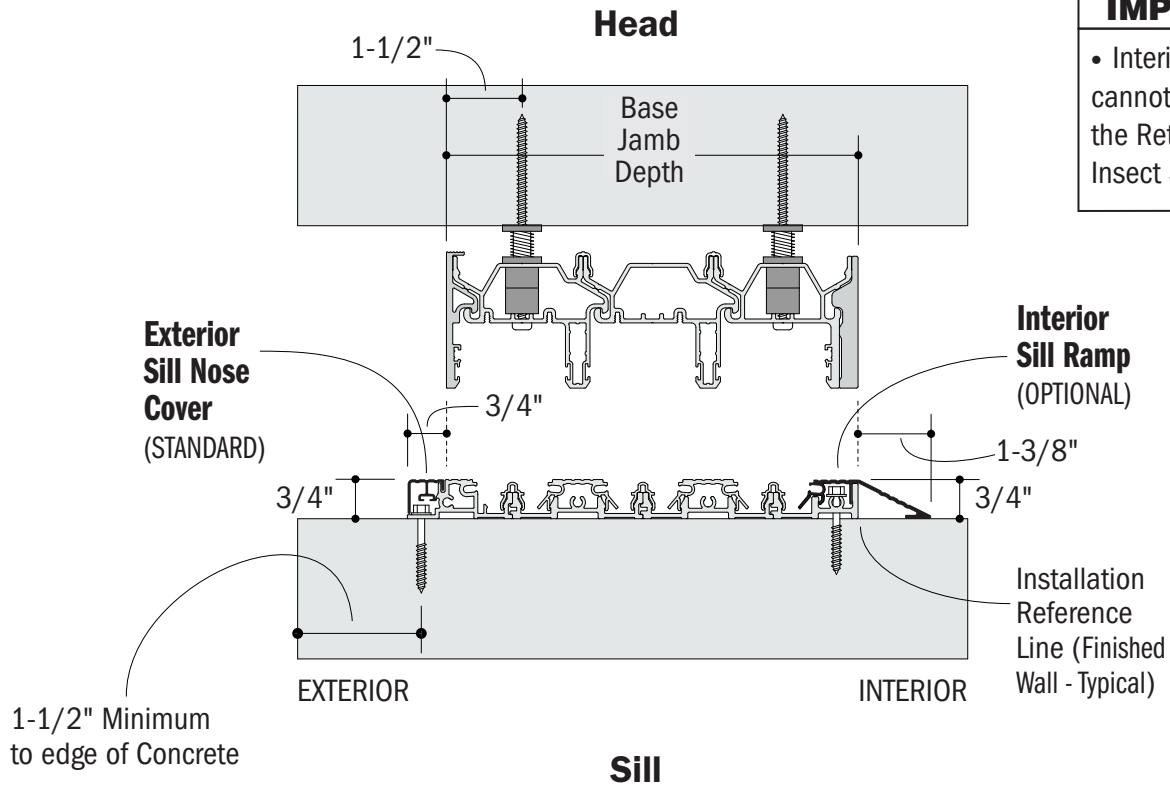


NO AUTOMATION



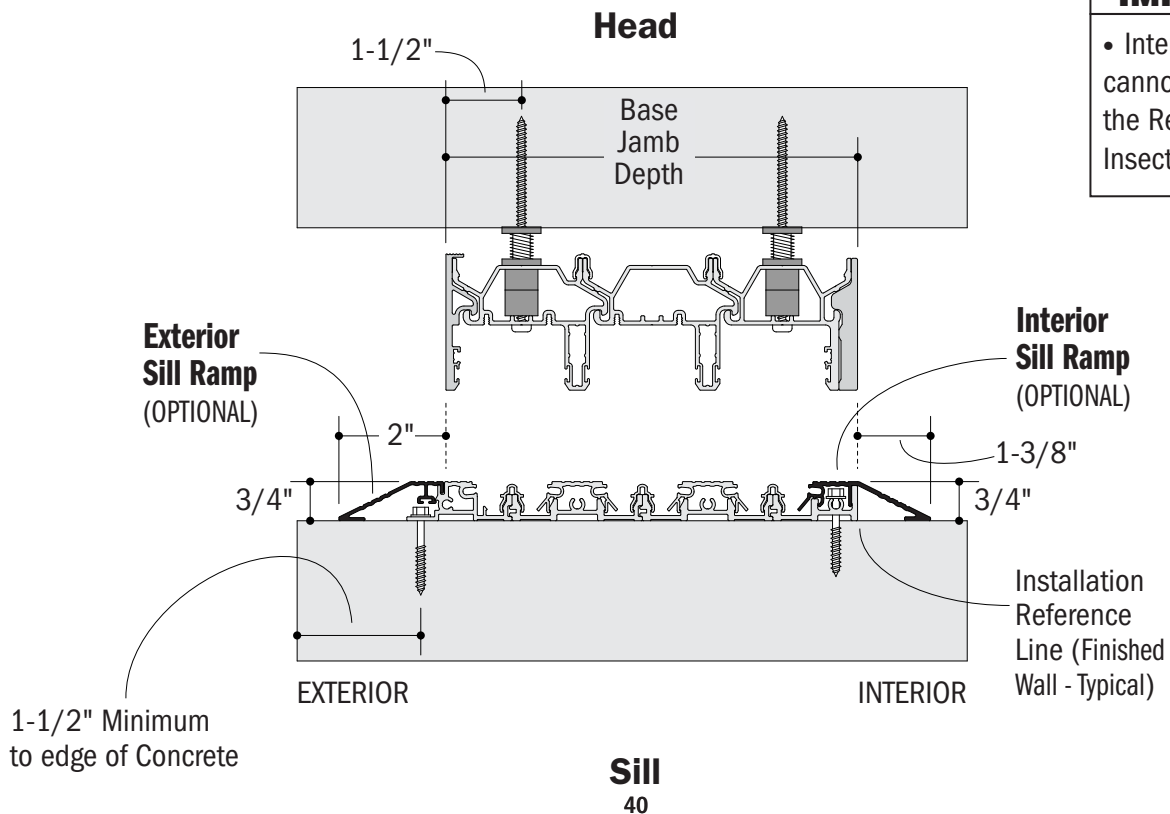
NO RETRACTABLE SCREEN

Standard Exterior Sill Nose Cover, Optional Interior and Exterior Sill Ramp



IMPORTANT

- Interior Sill Ramp cannot be used with the Retractable Insect Screen

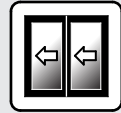


IMPORTANT

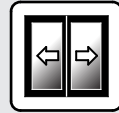
- Interior Sill Ramp cannot be used with the Retractable Insect Screen

Interior Trim Options

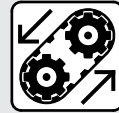
One- and Two-Direction Panel Operation
with or without Optional Automation
with Retractable Screen*



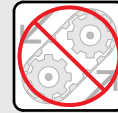
BIG DOOR 1-Way



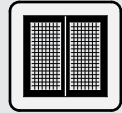
BIG DOOR 2-Way



AUTOMATION



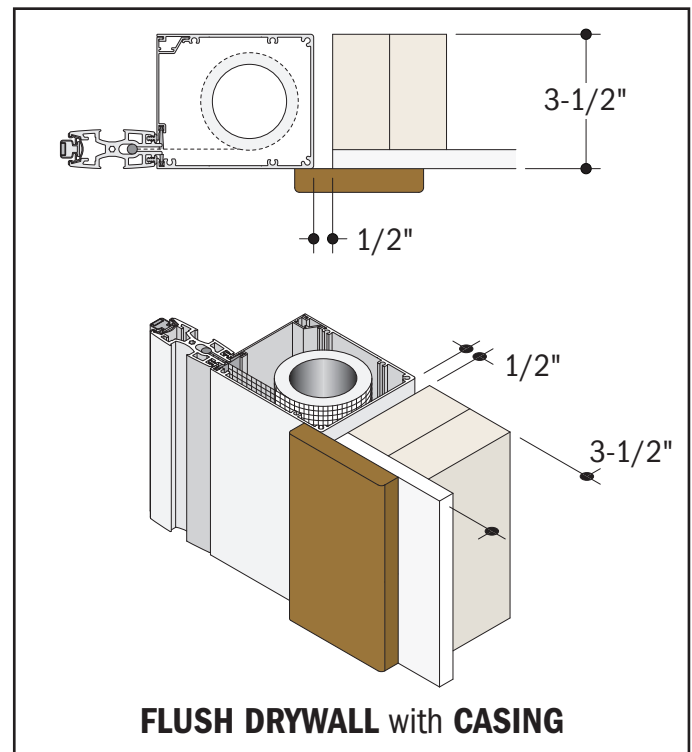
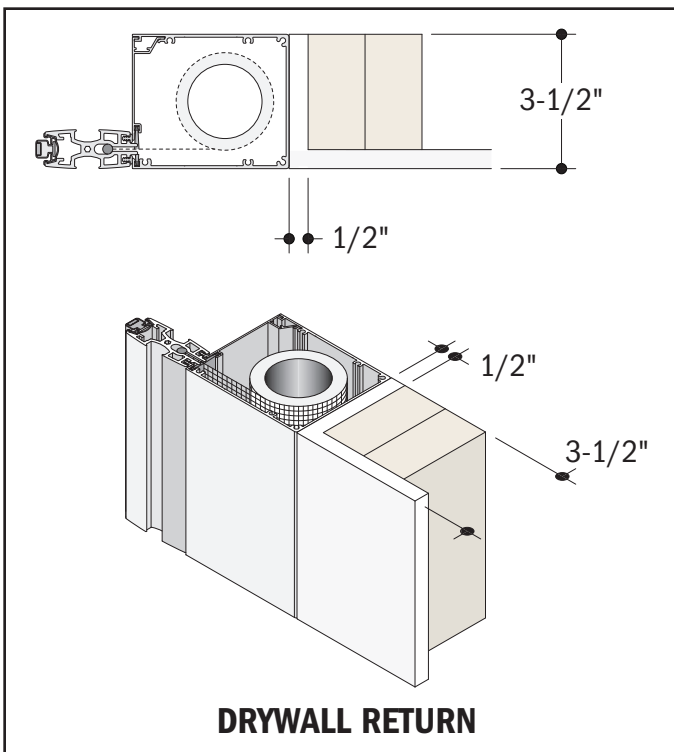
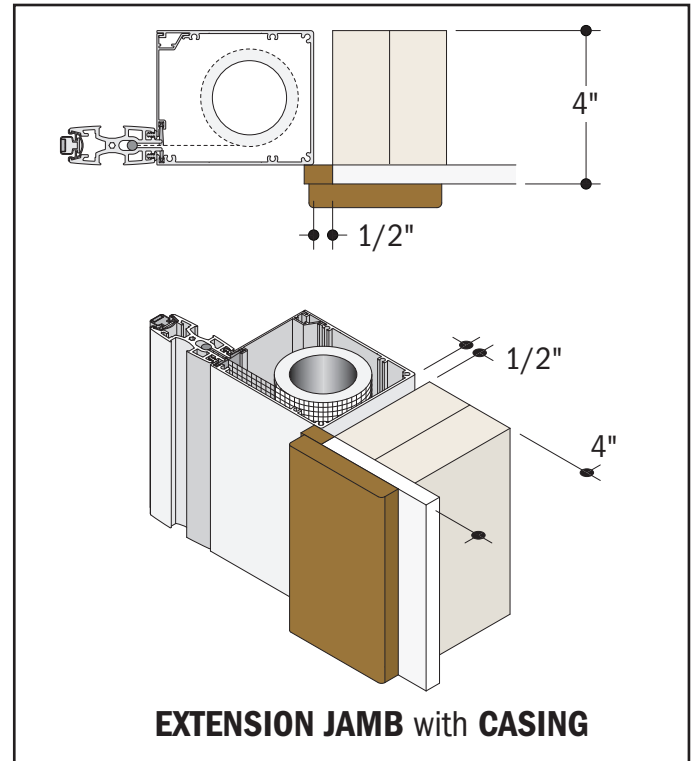
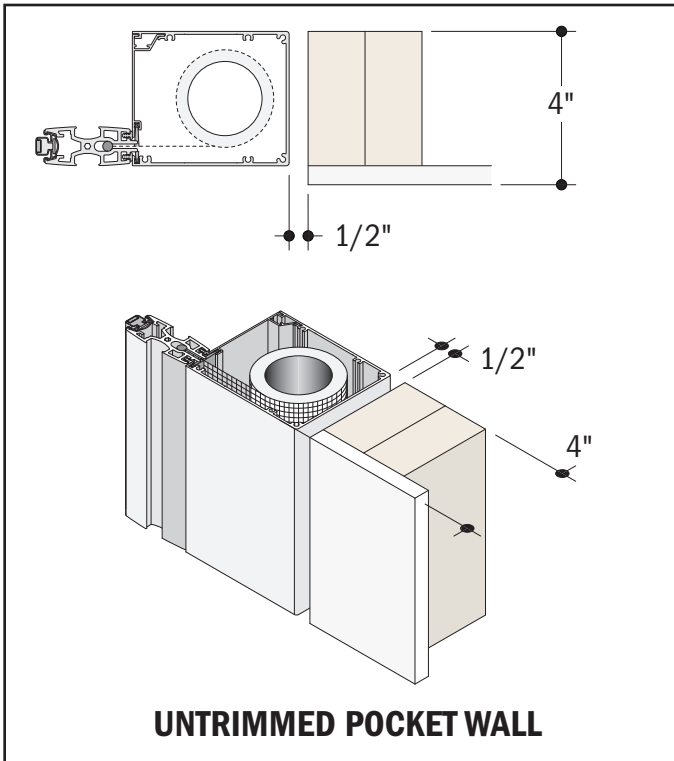
NO AUTOMATION



RETRACTABLE
SCREEN

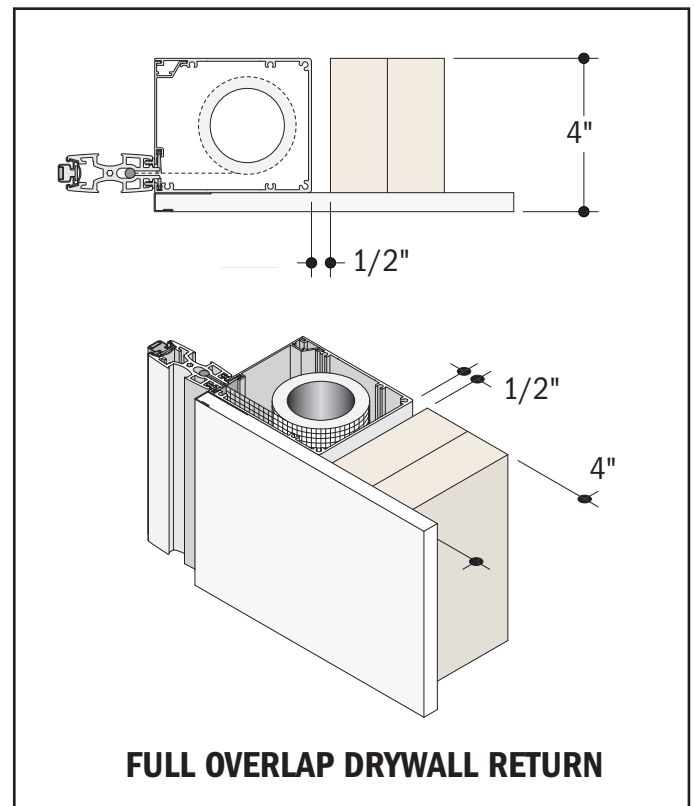
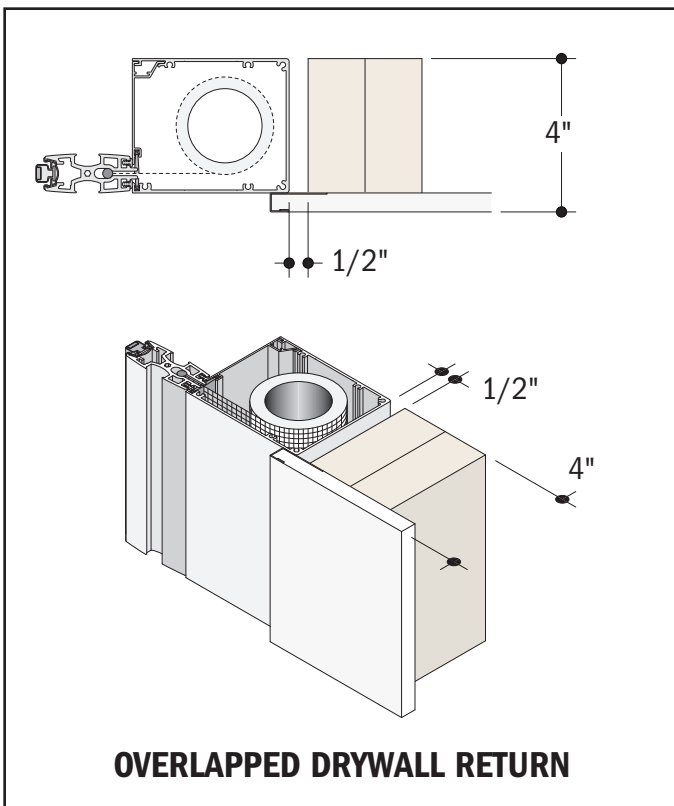
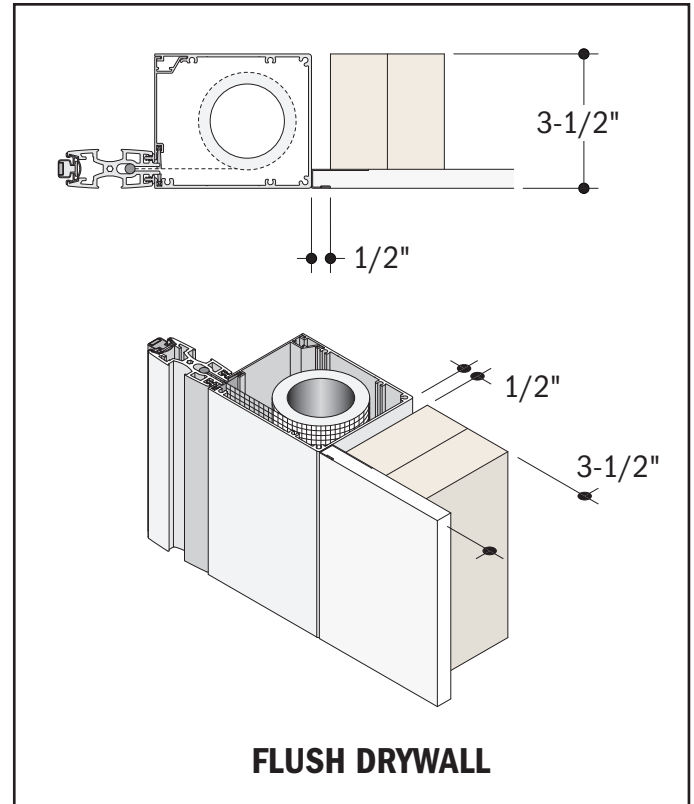
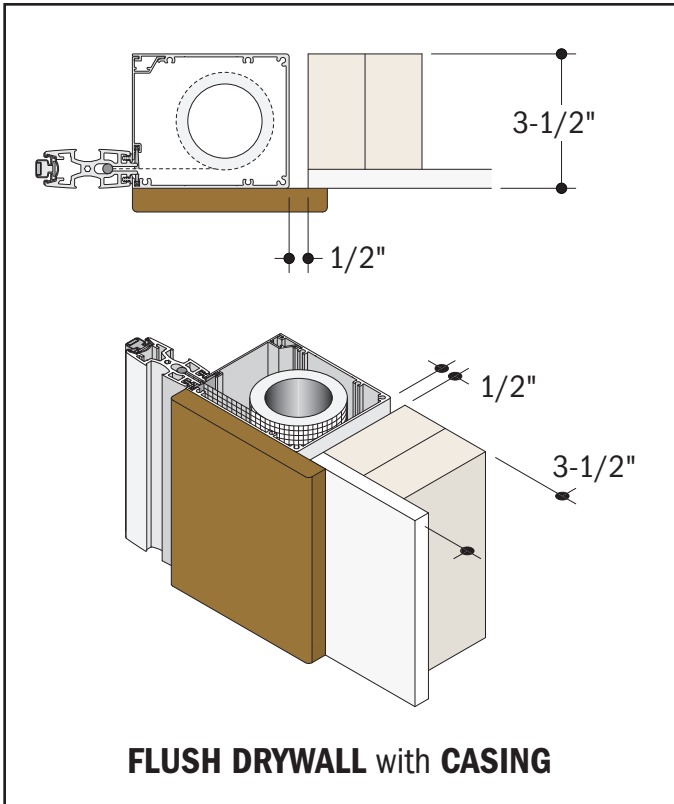
NOTICE

- **DO NOT** fasten trim and/or finishing components to the retractable insect screen frame. Doing so will result in product or property damage and could affect operation and product performance. Trim removal for the retractable screen could be required for servicing.



*Retractable Insect Screen is not automated

Interior Trim Options (continued)
 One- and Two-Direction Panel Operation
 with or without Optional Automation
 with Retractable Screen*



*Retractable Insect Screen is not automated

