

400 SERIES CASEMENT & AWNING WINDOWS

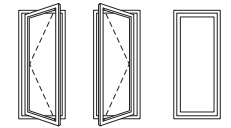
continued from previous page

Window Dimension	5'-2 3/4" (1594)	5'-11 5/8" (1819)	5'-1" (1549)	5'-11 7/8" (1826)	7'-0 5/8" (2149)
Minimum Rough Opening	5'-3 1/4" (1607)	6'-0 1/8" (1832)	5'-1 1/2" (1562)	6'-0 3/8" (1838)	7'-1 1/8" (2162)
Unobstructed Glass (casement, single sash only)	27 1/8" (689)	31 9/16" (802)	16 1/8" (410)	19 3/4" (502)	24" (610)
Unobstructed Glass (single transom)	57 15/16" (1472)	66 13/16" (1697)	56 3/16" (1427)	67 1/16" (1703)	79 13/16" (2027)
CUSTOM WIDTHS – 17" to 84 5/8"					
1'-0" (305)	CTR5210 26 11/16" (678)	CTR51110 31 1/8" (791)	CTR5110 15 11/16" (398)	CTR6010 19 15/16" (506)	CTR7010 23 9/16" (601)
1'-0" (305)	CTR22810	CTR23010	CTR31810	CTR32010	CTR32410
2'-0 1/8" (613)			CN32	C32	CW32*
2'-0 5/8" (625)					
2'-0 9/16" (491)					
2'-4 3/8" (721)			CN325	C325	CW325*
2'-4 7/8" (733)					
2'-4 9/16" (698)					
2'-11 15/16" (913)	CX23	CXW23	CN33	C33	CW33*
3'-0 1/2" (927)					
3'-0 9/16" (791)					
3'-4 13/16" (1037)	CX235°	CXW235°	CN335	C335	CW335°*
3'-5 3/8" (1051)					
3'-6" (914)					
4'-0" (1219)	CX24°	CXW24°	CN34	C34	CW34°*
4'-0 1/2" (1232)					
4'-0 9/16" (1097)					
4'-4 13/16" (1341)	CX245°	CXW245°	CN345	C345	CW345°*
4'-5 3/8" (1356)					
4'-6" (1219)					
4'-11 7/8" (1521)	CX25°	CXW25°**	CN35	C35	CW35°*
5'-0 3/8" (1534)					
5'-1 1/16" (1399)					



Custom-size windows are available in 1/8" (3) increments. Windows can also be custom sized to match standard sizes ending in 1/16" (1.5).

Single windows only.



Left Right Stationary

Choose left, right or stationary as viewed from the exterior. In addition to venting shown in table, other standard configurations are available for single, twin and triple windows. Transom (CTR) windows are stationary only.

Twin and triple windows shown have one continuous outer frame.

Transom (CTR) windows can be used over casement or awning windows, and may be rotated 90° and used as a sidelight with casement, awning or picture windows.

Available with traditional or contemporary trim stops.

* Window Dimension always refers to outside frame-to-frame dimension.
 * **Minimum Rough Opening dimensions may need to be increased to allow for use of building wraps, flashing, sill panning, brackets, fasteners or other items.**
 * Dimensions in parentheses are in millimeters.
 † Meets or exceeds clear opening area of 5.7 sq. ft. or 0.53 m², clear opening width of 20" (508) and clear opening height of 24" (610) with appropriate hinge specified.
 * Meets clear opening width of 20" (508) using hinge with wash mode and control bracket (bracket can be pivoted for cleaning position) and meets clear opening width of 22" (559) using hinge for widest clear opening.
 ** Available with straight-arm operators (hinged for widest clear opening) only.

400 SERIES CASEMENT & AWNING WINDOWS

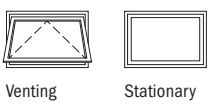
continued from previous page

Window Dimension	4'-0"	4'-8 1/2"	5'-2 3/4"	5'-11 5/8"	5'-11 7/8"	7'-0 5/8"
	(1219)	(1435)	(1594)	(1826)	(1826)	(2149)
Minimum Rough Opening	4'-0 1/2"	4'-9"	5'-3 1/4"	6'-0 1/8"	6'-0 3/8"	7'-1 1/8"
	(1232)	(1448)	(1607)	(1832)	(1838)	(2162)
Unobstructed Glass (single sash only)	19 5/16"	23 9/16"	26 11/16"	31 1/8"	19 5/16"	23 9/16"
	(491)	(598)	(678)	(1703)	(491)	(598)

1'-5"	(432)	1'-5 1/2"	(445)	12 5/8"	(321)						
1'-8 1/2"	(521)	1'-9"	(533)	16 1/8"	(410)						
2'-0 1/8"	(613)	2'-0 5/8"	(625)	19 3/4"	(502)						
2'-4 3/8"	(721)	2'-4 7/8"	(733)	24"	(610)						
2'-7 1/2"	(800)	2'-8"	(813)	27 1/8"	(689)						
2'-11 15/16"	(913)	3'-0 1/2"	(927)	31 9/16"	(802)						



Custom-size windows are available in 1/8" (3) increments. Windows can also be custom sized to match standard sizes ending in 1/16" (1.5). **Single windows only.**



Choose venting or stationary. **AXW551** and **AXW61** windows are stationary only. In addition to venting shown in table, other standard configurations are available for twin, triple and stacked windows.

Twin, triple and stacked windows shown have one continuous outer frame.

Awning windows must be installed to vent as shown, and should not be rotated and used as a hopper.

Transom (**CTR**) windows can be used over casement or awning windows, and may be rotated 90° and used as a sidelight with casement, awning or picture windows.

Available with traditional or contemporary trim stops.

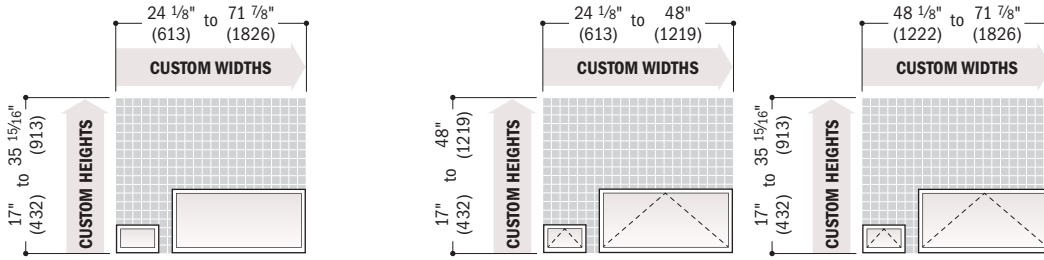
* Window Dimension always refers to outside frame-to-frame dimension.
 • Minimum Rough Opening dimensions may need to be increased to allow for use of building wraps, flashing, sill panning, brackets, fasteners or other items.
 • Dimensions in parentheses are in millimeters.

Custom Sizes and Specification Formulas



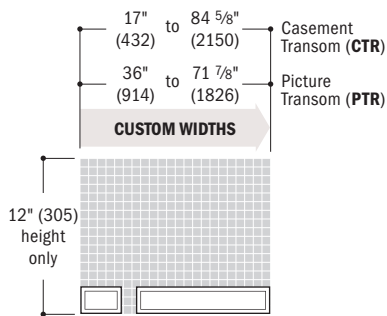
Available in 1/8" (3) increments between minimum and maximum widths and heights. Windows can also be custom sized to match standard sizes ending in 1/16" (1.5). Some restrictions apply; contact your Andersen supplier. Custom sizing is available for single windows only. To achieve custom-size 2- or 3-wide combinations, join custom-size single windows. For minimum rough opening dimensions for joined windows, see specific joining instruction guides. Measurement guide for custom-size windows can be found at andersenwindows.com/measure.

Awning Windows (stationary and venting)



	Clear Opening Width = window width - 4.53" (115) Depth = 6.38" (162) = 6.44" (164) = 6.50" (165) = 5" (127)	Height ≥ 17" (432) and < 20 1/2" (521) Height ≥ 20 1/2" (521) and < 24 1/8" (613) All other window heights, except A335		Min. R.O. Width = window width + 1/2" (13) Height = window height + 1/2" (13)
		Vent Opening Width = window width - 4.53" (115) Depth = 6.38" (162) = 6.44" (164) = 6.50" (165) = 5" (127)		Height ≥ 17" (432) and < 20 1/2" (521) Height ≥ 20 1/2" (521) and < 24 1/8" (613) All other window heights, except A335

Casement/Awning Transom Windows



	Min. R.O. width = window width - 1/2" (13) Height = window height - 1/2" (13)
	Unobst. Gls. width = window width - 4.80" (122) Height = window height - 4.80" (122)

* **Clear Opening** formulas provide dimensions for determining area available for egress. **Vent Opening** formulas provide dimensions for determining area available for passage of air. **Min. R.O.** (minimum rough opening) formulas provide minimum rough opening width and height dimensions. **Unobst. Gls.** (unobstructed glass) formulas provide dimensions for determining area available for passage of light.
 * Refer to andersenwindows.com/measure for detailed instructions on how to properly measure for custom-size windows.
 * Dimensions in parentheses are in millimeters.