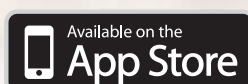


Smart room thermostat and app

Baxi Mago and My Baxi



Control at fingertips, wherever you are

The Baxi Mago is a simple to use **smart room thermostat** compatible with **Baxi boilers** and **Alya air source heat pumps**. You can schedule your heating to come on each day to suit you and your household's lifestyle.

Times when you come back at a cold home will be just an old memory: with My Baxi, the new app to control your Baxi Mago smart room thermostat, **you can control your heating and hot water, wherever you are!**

Baxi Mago

Easy to use

The control knob allows to adjust temperature and scroll through menu. If the presence sensor is activated, the display screen will turn on automatically when moving towards the thermostat.



Fits in with your lifestyle!

Set your central heating schedule for each day, Monday to Sunday. It is possible to create up to five different scenarios related to multiple temperature requirements.

Cost-saving

Holiday mode reduces the temperature while you are away and restores your heating schedule for your return – saving you money. Furthermore, Baxi Mago monitors your energy consumption and gives access to lots of energy saving tips and advice.



Baxi Mago works without batteries (power supply comes from the 2 wires)

My Baxi

It's as easy as 1,2,3

You just need to follow our quick, step by step guide to get started:

- 1 - Set up your Baxi Mago thermostat
- 2 - Connect to Wi-Fi
- 3 - Download My Baxi App and pair your Baxi Mago with your smart device



Always in control

My Baxi is the FREE app for smartphone and tablet available on the App Store and Google Play. You can control your heating and hot water, set temperatures, create schedules, change mode, ... wherever you are!



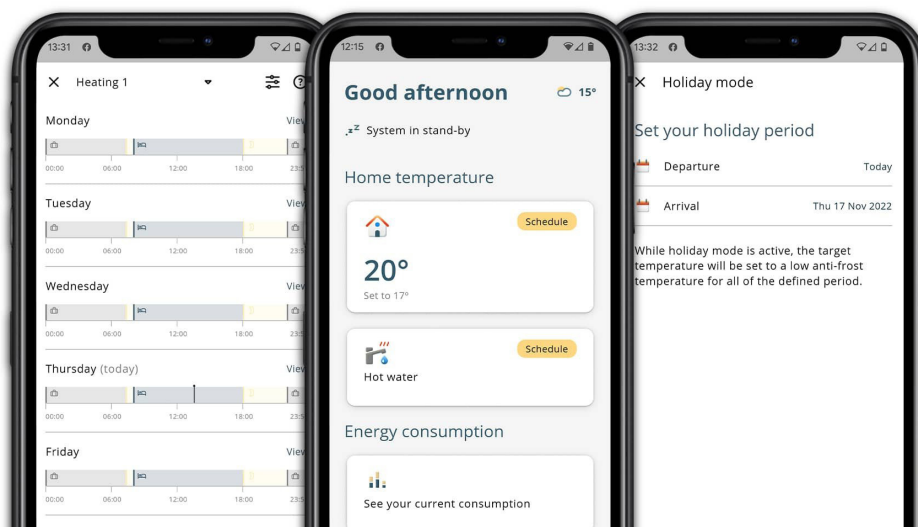
Easy guide to get started

With a few questions, the application automatically creates a schedule based on your habits.



Multiple devices

It is possible to connect one or more households and pair multiple devices, so each family member can interact.



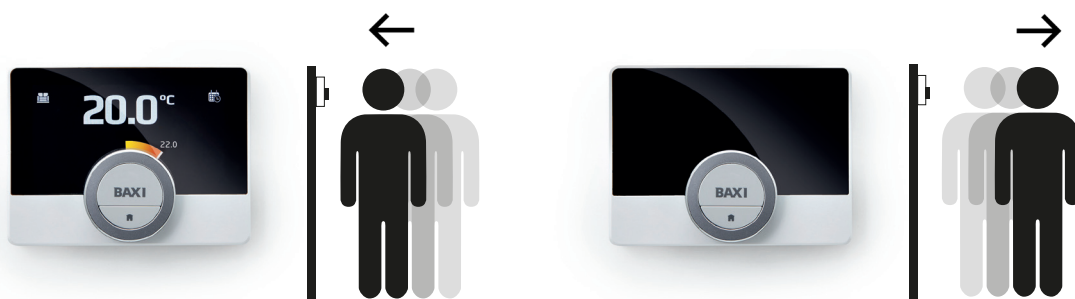
Voice assistant

Baxi Mago works with Google Home and Amazon Echo voice assistants.



Presence sensor

The display will light up (for 5 seconds) if the presence sensor detects a person is in front of the thermostat or pass by, this allow to save also on energy consumption.



Multi-zone

Baxi Mago supports multi-zone systems, controlling zone valves in On/Off mode when using multiple thermostats together.



Improve the system energy efficiency

Controls are defined using 'classes', which run from Class I (a simple on/off room stat) through to Class VIII (multi-sensor room control for use with modulating heating appliances). Each control class equates to a certain percentage uplift in the seasonal space heating energy efficiency.

Baxi Mago meets the criteria of the following temperature control classes under the ErP Directive:

Baxi Mago				
System		Baxi Mago with on/off appliances	Baxi Mago with modulating appliances	Baxi Mago with modulating appliances + outdoor sensor or with cloud-based outdoor sensor (check compatibility)
Class		IV	V	VI
Contribution to the energy efficiency of space heating	%	2	3	4

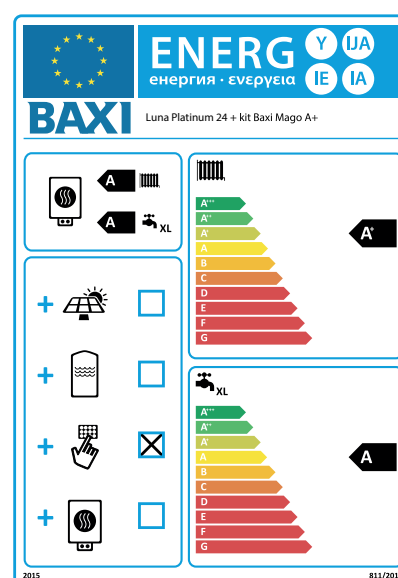
The Baxi modulating condensing boilers have a seasonal space heating energy efficiency up to 94%.

Under the ErP Directive, **combining our appliance with a seasonal space heating energy efficiency of 94% with a modulating room sensor like Baxi Mago, and a weather compensation sensor (physical or cloud-based) increases efficiency by 4%, bringing the total space heating efficiency of the system to 98%.**

This equates to an **A+ energy rating** and makes one of the most efficient boiler and controls combinations available on the market.



OR



For the latest list of countries with internet-supported outdoor temperature sensors and information on it, please visit www.international.baxi.it

Features

Features	App	Baxi Mago
Room temperature display	●	●
Outdoor temperature display*	●	●
Water pressure display**	●	●
Connection status	●	●
Lack of connection alert	●	●
Back-lit screen display	●	●
Time synchronization by internet and automatic time change	●	●
Pairing up to 7 Baxi Mago with a smart device	●	●
Pairing Baxi Mago with multiple smart devices	●	●
List and management of smart devices paired	●	●
Home screen customisation	●	●
Boiler fault display and alert	●	●
Error history	●	●
Setting consumptions**	●	●
Changing the temperature for a short period in scheduling mode	●	●
Subscription costs	Free	Free
Setting room temperature	●	●
Setting room temperature without internet connection	●	●
Functioning without batteries	●	●
Presence sensor - the screen lights-up when passing-by or approaching the thermostat	●	●
Amazon Echo, Google Home Assistant	●	●
Multi-zone control***	●	●

Features and functions may vary depending on the boiler or the version, check your Baxi Mago manual

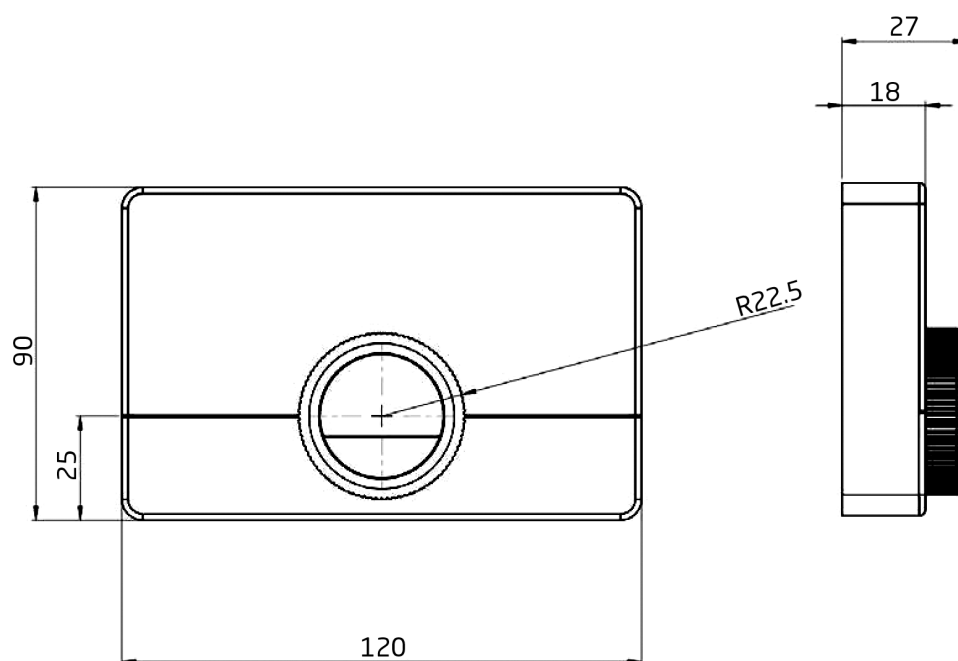
* with outdoor sensor installed or with cloud-based outdoor sensor (check compatibility)

** according to the boiler

*** Baxi Mago can control zone valves in On/Off mode when using multiple thermostats together

For the latest list of countries with internet-supported outdoor temperature sensors and information on it, please visit www.international.baxi.it

Dimensions and specifications



Technical data

Baxi Mago	
Dimensions	
Width x height x depth (Baxi Mago)	120 x 90 x 27 mm*
Electrical power supply	
Bus connection voltage	24 V ± 5%
Maximum electrical consumption	1,5 W
Electrical connection	
Maximum cable length for dedicated Baxi Mago bus	50 m
Maximum cable resistance	2 x 5 ohm
WI-FI connexion	
2,4 Ghz band (802.11 b/g /n)	•
Ambient conditions	
Operating conditions	from 0 °C to 60 °C
Temperature	
Measurable room temperature range	from 5 °C to 60 °C
Maximum temperature deviation at 20°C	0,3 °C
Maximum room control overshoot after pre-heating	1 °C
Temperature variation	+/- 0,5 °C
Temperature control range	from 10 °C to 30 °C

* some boilers could require the installation of a gateway 84 x 145 x 29 mm (width x height x depth).

BAXISPA

36061 BASSANO DEL GRAPPA (VI)
Via Trozzetti, 20
export@baxi.it
www.baxi.it



The Company assumes no responsibility for any possible contents mistakes, and reserves the right to make changes in products, due to technical or commercial demands, at any time without notice.