

FEEL THE HEAT

Baxi Assure cylinders

For fast, reliable and efficient hot water – available in Ireland



Created by our
hot water experts at

HEATRAESADIA

BAXI

Your sustainable solutions provider for today and tomorrow

Here at Baxi, we're leading the way to a carbon-free future, with heating and hot water solutions, that are geared towards helping homes and businesses achieve net zero emissions by 2050. We're part of the BDR Thermea Group – a global company with market-leading brands in over 100 countries worldwide and over 6,100 people, working as one team, to support our customers in their energy transition. From small residential homes to multi-storey commercial buildings, we offer heating and hot water solutions for millions of customers around the world.

Individual brands united for all your needs

In Ireland, Baxi has a portfolio of some of the best known and most respected heating and hot water brands in the heating industry. Providing integrated solutions for domestic and commercial heating and hot water – including boilers, electric water heating, air source heat pumps, combined heat and power, heat interface units, prefabricated plant rooms and skids, and controls.

BAXI

remeha

megaflo

HEATRAESADIA

**ANDREWS
WATER HEATERS**

**POTTERTON
COMMERCIAL**

Residential and commercial heating and hot water solutions

Delivering fast, reliable and efficient hot water to Ireland

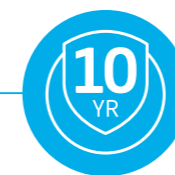
Created by our hot water experts at Heatrae Sadia, Baxi Assure cylinders come in a wide range of volumes, and with pre-plumbed options also available. Each delivering a level of quality and performance you've come to expect from us

Today's lifestyles mean that homes have a greater demand for hot water that services multiple users at the same time, along with a continual need for greater reliability, efficiency and affordability. All Baxi Assure cylinders meet these needs and more.

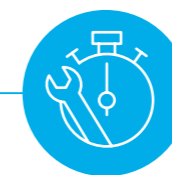
Baxi Assure's streamlined, floor-mounted cylinders look smart, and can be positioned in almost any location within the home, without affecting performance.



**Rapid
recovery
times**



**2 years warranty
as standard,
with 10 years on
the inner stainless
steel tank***



**Quick and
easy to
install**

*See baxi.co.uk for terms and conditions.



Baxi Assure Indirect

Unvented hot water cylinder

The Baxi Assure Indirect is available in a range of volumes to suit all hot water requirements. Extra-compact models are available for particularly small spaces, with exceptionally fast recovery times thanks to the coil-in-coil heat exchanger, the Baxi Assure Indirect is sure to deliver fast, reliable and efficient hot water across multiple outlets – and what's more, it's covered by our 2 years warranty as standard, with 10 years on the inner stainless steel tank.*

Created by our hot water experts at
HEATRAESADIA



76 L/min of water at 3 bar pressure



High-quality corrosion resistant components

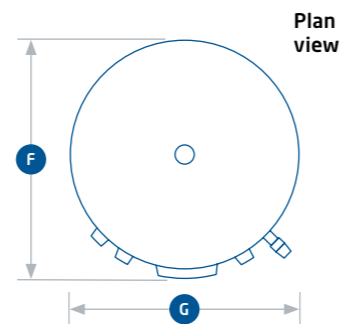
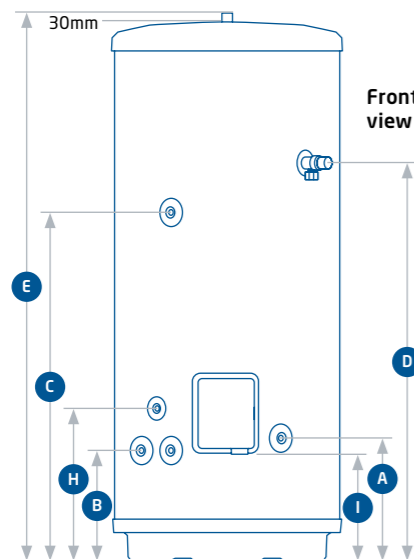


Unique L-shaped immersion heater maximises hot water availability



60mm insulation increases efficiency

	UNITS	70i	125i	145i	170i	210i	250i	300i
Product code		7737178	7737179	7737260	7737261	7737262	7737264	7737265
Nominal capacity	litres	70	125	145	170	210	250	300
Weight empty	kg	25	31	35	39	43	50	58
Weight full	kg	125	180	204	233	253	300	358
Water heating energy efficiency class		B	B	B	B	B	C	C
A DHW inlet	mm	414	414	414	414	414	414	414
B Primary coil connections	mm	373	373	373	373	373	373	373
C Secondary return	mm	-	709	810	934	1,011	1,238	1,526
D T&P relief valve	mm	495	794	895	1,020	1,095	1,323	1,574
E Height	mm	802	1,102	1,229	1,384	1,486	1,738	2,053
F Depth	mm	600	600	600	600	600	600	600
G Width	mm	579	579	579	579	579	579	579
H Sensor pocket	mm	410	410	410	410	410	410	410
I Cable entry lower	mm	275	275	275	275	275	275	275



Baxi Assure Direct

Unvented hot water cylinder

The Baxi Assure Direct offers the same reliable performance, efficiencies and rapid recovery times as our Indirect models. It's available in a range of volumes between 70 and 300 litres to suit all house sizes and hot water needs. A cylinder that's easy to install in smaller spaces, with minimum maintenance required. Plus, as with all cylinders in our range, the Baxi Assure Direct is covered by a 2 years warranty as standard, with 10 years on the inner stainless steel tank.*

Created by our hot water experts at
HEATRAESADIA



76 L/min of water at 3 bar pressure



High-quality corrosion resistant components

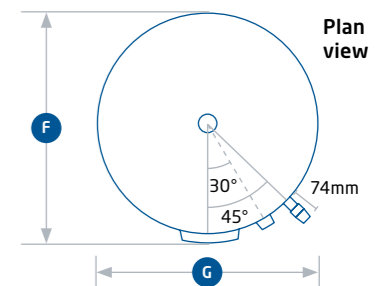
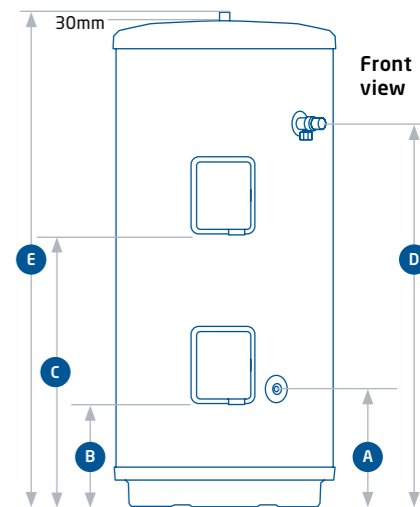


Unique L-shaped immersion heater maximises hot water availability



60mm insulation increases efficiency

	UNITS	70DD	125DD	145DD	170DD	210DD	250DD	300DD
Product code		7737164	7737165	7737166	7737167	7737168	7737171	7737175
Nominal capacity	litres	70	125	145	170	210	250	300
Weight empty	kg	23	25	31	34	38	46	56
Weight full	kg	115	165	183	216	237	282	339
Water heating energy efficiency class		B	B	C	C	C	C	C
A DHW inlet	mm	414	414	414	414	414	414	414
B Cable entry lower	mm	275	275	275	275	275	275	275
C Cable entry upper	mm	-	549	580	705	801	1,009	1,313
D T&P relief valve	mm	495	794	895	1,020	1,095	1,323	1,574
E Height	mm	802	1,102	1,229	1,384	1,486	1,738	2,053
F Depth	mm	600	600	600	600	600	600	600
G Width	mm	579	579	579	579	579	579	579



	UNITS	210DDD	250DDD	300DDD	210DDDD	250DDDD	300DDDD
Product code		7737169	7737172	7737176	7737170	7737173	7737177
Nominal capacity	litres	210	250	300	210	250	300
Weight empty	kg	39	47	57	40	48	58
Weight full	kg	237	282	339	237	283	339
Water heating energy efficiency class		C	C	C	C	C	C
A DHW inlet	mm	414	414	414	414	414	414
B Cable entry lower	mm	275	275	275	275	275	275
C Cable entry upper	mm	801	1,009	1,313	801	1,009	1,313
D T&P relief valve	mm	1,095	1,323	1,574	1,095	1,323	1,574
E Height	mm	1,486	1,738	2,053	1,486	1,738	2,053
F Depth	mm	600	600	600	600	600	600
G Width	mm	579	579	579	579	579	579

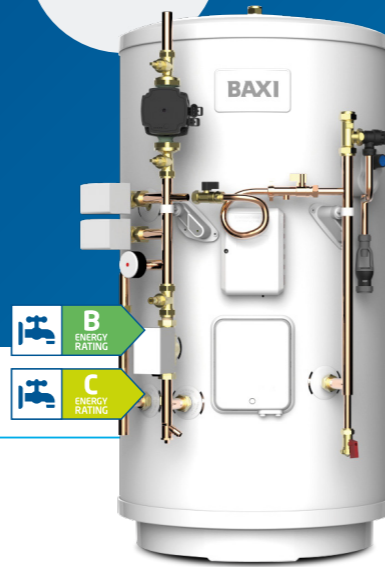
*See baxi.co.uk for terms and conditions.

Baxi Assure SystemFit

Unvented indirect hot water cylinder

The Baxi Assure SystemFit is available in a range of volume options between 125 and 300 litres, to suit any hot water requirement. With factory-fitted plumbing and wiring, it's ready to install straightaway with a heat only boiler. The coil-in-coil heat exchanger gives exceptionally fast recovery times. The Baxi Assure SystemFit is also covered by a 2 years warranty as standard, with 10 years on the inner stainless steel tank.*

Created by our hot water experts at
HEATRAESADIA



76 L/min of water at 3 bar pressure



High-quality corrosion resistant components



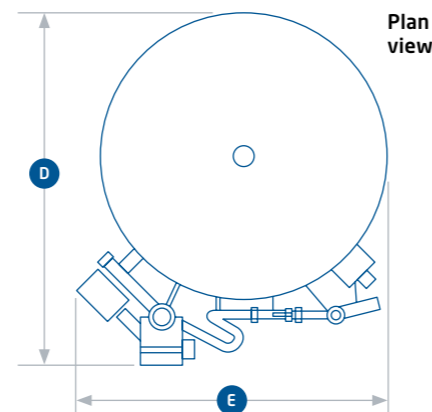
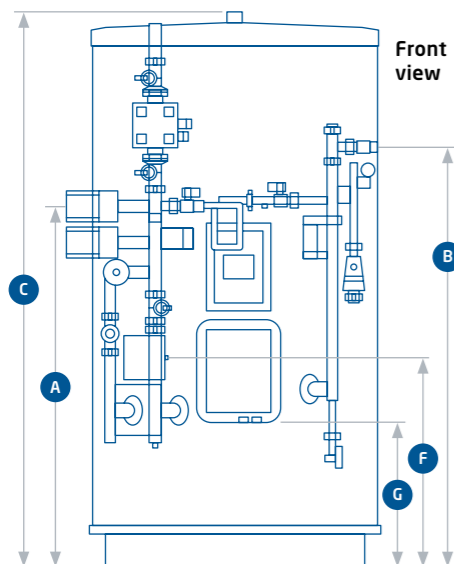
Unique L-shaped immersion heater maximises hot water availability



60mm insulation increases efficiency



	UNITS	125SF	145SF	170SF	210SF	250SF	300SF
Product code		7737266	7737267	7737268	7737269	7737270	7737271
Nominal capacity	litres	125	145	170	210	250	300
Weight empty	kg	43	48	52	55	61	69
Weight full	kg	183	203	234	254	297	352
Water heating energy efficiency class		B	B	B	B	C	C
A Secondary return	mm	709	810	934	1,011	1,238	1,526
B T&P relief valve	mm	794	895	1,020	1,095	1,323	1,574
C Height	mm	1,102	1,229	1,384	1,486	1,738	2,053
D Depth	mm	720	720	720	720	720	720
E Width	mm	630	630	630	630	630	630
F Sensor pocket	mm	410	410	410	410	410	410
G Cable entry lower	mm	275	275	275	275	275	275

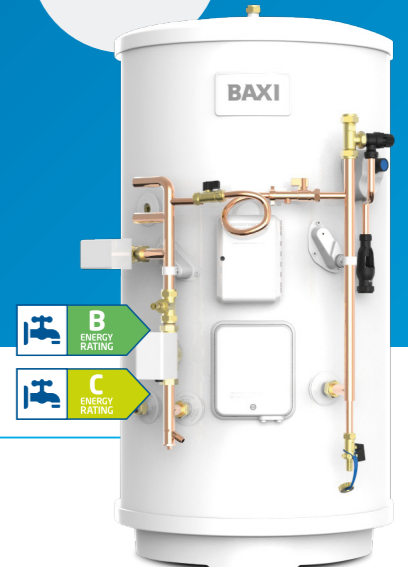


Baxi Assure SystemReady

Unvented indirect hot water cylinder

The Baxi Assure SystemReady is designed to deliver the same reliable and efficient hot water as the SystemFit, but tailored for homes with large families or multiple bathrooms. With factory-fitted plumbing and wiring, it's ready to install straightaway with a system boiler. The SystemReady cylinder offers impeccable performance with rapid recovery times, whilst being kind to the environment – and is covered by a 2 years warranty as standard, with 10 years on the inner stainless steel tank.*

Created by our hot water experts at
HEATRAESADIA



76 L/min of water at 3 bar pressure



High-quality corrosion resistant components



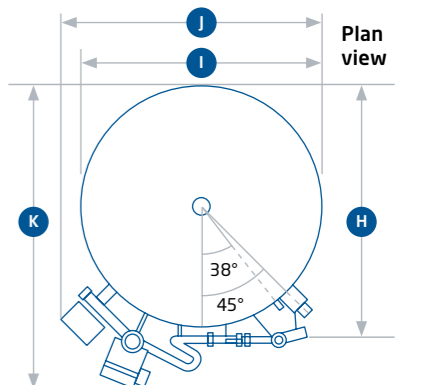
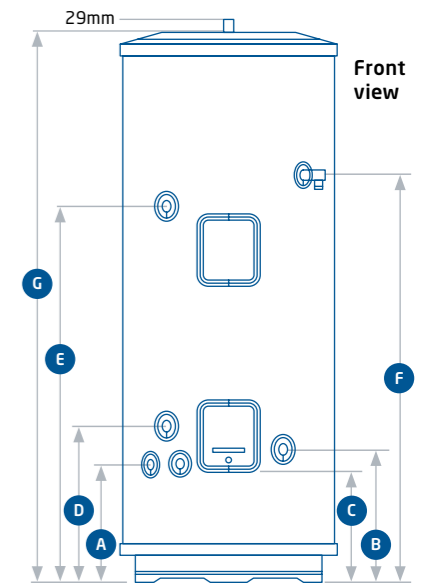
Unique L-shaped immersion heater maximises hot water availability



60mm insulation increases efficiency



	UNITS	125SR	145SR	170SR	210SR	250SR	300SR
Product code		7737272	7737274	7737275	7737276	7737277	7737279
Nominal capacity	litres	125	145	170	210	250	300
Weight empty	kg	39	44	48	51	57	65
Weight full	kg	179	199	230	250	293	348
Water heating energy efficiency class		B	B	B	B	C	C
A Primary return	mm	316	316	316	316	316	316
B Cold inlet	mm	355	355	355	355	355	355
C Cable entry lower	mm	310	310	310	310	310	310
D Sensor pocket	mm	410	410	410	410	410	410
E Secondary return	mm	709	810	934	1,011	1,238	1,526
F T&P relief valve	mm	794	895	1,020	1,095	1,323	1,574
G Height	mm	1,102	1,229	1,384	1,486	1,738	2,053
H Depth	mm	710	710	710	710	710	710
I Width	mm	579	579	579	579	579	579
J Minimum width requirement	mm	690	690	690	690	690	690
K Minimum width requirement	mm	710	710	710	710	710	710



*Subject to terms and conditions.

Codes of practice and legislation

Manufactured in a factory approved to:

- BS EN ISO 9001; OHSAS 18001; ISO 50001; ISO 14001.

EU Directives:

- Pressure Equipment Directive 97/23/EC
- Low Voltage Directive (LVD) 2014/30/EU
- RoHS (Restriction of use of certain Hazardous Substances) Directive 2011/65/EU
- Electromagnetic Compatibility (EMC) Directive 2014/35/EU.
- These units have only ever been used for the storage of portable water supplied from the public mains. The water quality shall be in accordance with European Council Directive 98/83 EC, or revised version at the date of installation, and is not fed with water from a private supply. Particular:
Chloride content: Max. 200 mg/l
Sulphate content: Max. 200 mg/l
Combination chloride/sulphate: Max. 300 mg/l (in total)

Legislation:

- Building Regulations Part G and Part L (England and Wales)
- Scottish Building Standards Section 4 and Section 6
- Building Regulations (Northern Ireland) Parts F1 and F2 and Part P
- Water Supply (Water Fittings) Regulations (England and Wales)
- The Water Byelaws 2004 (Scotland)
- Water Supply (Water Fittings) Regulations (Northern Ireland).

Standards: Complies with relevant clauses of the following standards:

- EN 12897 - Specification for indirectly heated unvented cylinders
- EN 60335-2-21 - Safety-Particular requirements for storage water heaters.

The stainless steel materials used comply with the relevant clauses of:

- EN 10088 - Technical delivery conditions for sheet/plate and strip of corrosion resisting steels for general purposes.

Components supplied comply with the following standards:

- BS EN 1490 Building Valves - Combined Temperature and Pressure Relief Valves
- BS EN 1491 Building Valves - Expansion Valves
- BS 6144 Specification for Expansion Vessels Using An Internal Diaphragm For Unvented Water Supply Systems
- BS EN 1567 Building Valves - Water Pressure Reducing Valves and Combination Reducing Valves
- BS EN 60730-1 Automatic Electrical Controls - For households and similar use. Part 1: General Requirements
- BS EN 60730-2-8 Automatic Electrical Controls - Particular Requirements for Electrically Operated Water Valves
- BS EN 13959 Anti-pollution Check Valves.

The use of these water heaters will aid in compliance with:

- Health and Safety Executive Approved Code of Practice L8: The control of legionella bacteria in water systems
- BS EN 806 Parts 1 to 5: Specification for installations inside buildings conveying water for human consumption
- BS 8558 Guide to the design, installation, testing and maintenance of services supplying water for domestic use within buildings
- Chartered Institute of Building Services Engineers Guide B and Guide F.

Approvals:

- Direct and Indirect Kiwa Certification Number: 1608707
- SystemFit and SystemReady Kiwa Certification Number: 1608714
- Nemko Certification Number: P10213136/A6.



How we can help you

With Baxi, the heating system is only part of the story. We're also passionate about giving you the service and support you need, for the lifetime of your Baxi product.

Genuine parts

We have a full range of approved spares and quality heating essentials for all Baxi Assure products. For more details, visit www.baxi.ie/customer-support/spare-parts

Product training

We offer practical, hands-on courses, covering all Baxi Assure products and carried out by qualified experts at our state-of-the-art training centre in Dublin. To find out more, visit www.baxi.ie/training or speak to your Area Sales Manager.

Expert service and support

For help with product queries, installations and maintenance, visit www.baxi.ie or call us on **01-4590870**. For everything else, contact your Area Sales Manager.