

## DATA SHEET

Created by our  
hot water experts at  
**HEATRAESADIA**

# Baxi Indirect

## Unvented hot water cylinder

The Baxi Indirect offers exceptional maximum flow rates for outstanding hot water performance, without the need for shower pumps or tanks. Its duplex stainless steel construction has a high strength-to-weight ratio, and the insulated T&P valve and CFC/HCFC-free injected foam offer the best possible heat retention and energy efficiency. With exceptionally fast recovery times thanks to the coil-in-coil heat exchanger, the Baxi Indirect is sure to deliver reliable hot water across multiple outlets – and what's more, it's covered by a 2 year warranty as standard, with 15 years on the inner stainless steel tank\*



**76 l/min  
at 3 bar  
max flow**



**125-300  
litres nominal  
capacity**



**2 years warranty  
as standard,  
with 15 years  
on the inner  
stainless steel tank\***



**50mm  
insulation**

### FEATURE

Insulated T and P valve and 50mm thick cylinder insulation

High grade duplex stainless steel

Delivers up to 76 litres per minute of hot water at 3 bar pressure

High performance 'coil-in-coil' heat exchanger

### BENEFIT

Neat appearance, saves space and reduces installation time

Excellent heat retention and energy efficiency

High corrosion resistance and a high strength to weight ratio

Outstanding hot water performance without the need for shower pumps or tanks

For exceptionally fast recovery times

For complete peace of mind

\* Subject to T&Cs

# BAXI

DATA SHEET

# Baxi Indirect

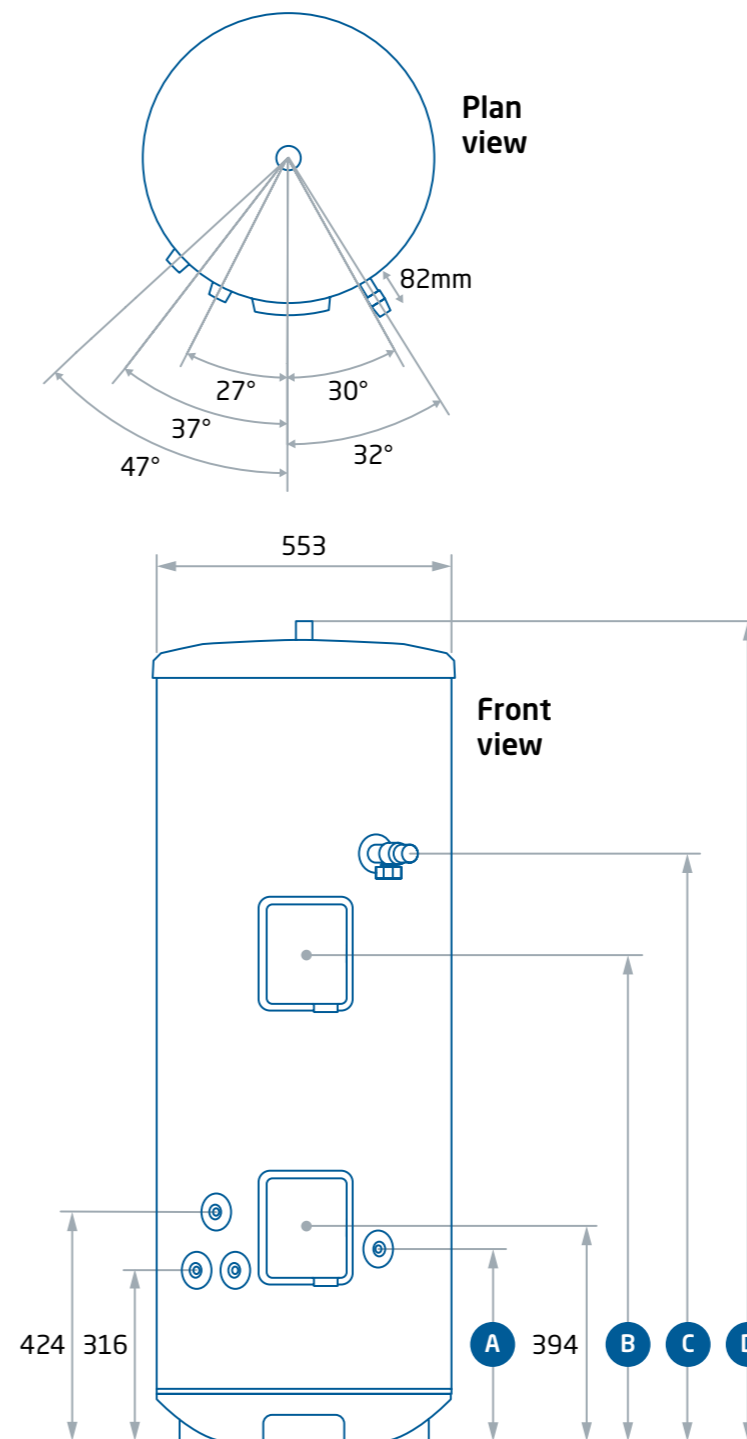
Unvented hot water cylinder

## SPECIFICATIONS

UNITS		125i	145i	170i	210i	250i	300i
Part Number		7798178	7798179	7798180	7798181	7798182	7798183
Nominal capacity		125	145	170	210	250	300
Coil rating (@15l/min at 80°C)	kW	11.6	11.8	12.5	12.8	13	11.8
Heat up times (@15l/min at 80°C)	mins	31	35	40	45	54	65
Heat loss	kWh/24h	1.28	1.39	1.6	1.82	1.84	2.18
ErP rating		C	C	C	C	C	C
Mix water delivery to 40°C	litres	176	197	233	258	320	386
Max mains pressure	bar			16			
Max design pressure	bar			8			
Operating pressure	bar			3			
Max primary pressure	bar			10			
Expansion relief valve setting	bar			8			
T&P valve setting	°C / bar			90 / 10			
Immersion heater electrical rating	kW @ 240V	3	3	3	3	3	3

## DIMENSIONS

		125i	145i	170i	210i	250i	300i
A - Cold water inlet	mm	355	355	355	356	356	355
B - Boost immersion heater	mm	N/A	N/A	N/A	900	1100	1418
C - T&P relief valve	mm	728	883	1008	1084	1309	1574
D - Height	mm	1131	1258	1414	1516	1767	2081
Weight dry	kg	34	38	41	41	51	54



**BAXI**

# Codes of practice and legislation

## Manufactured in a factory approved to:

- BS EN ISO 9001; OHSAS 18001; ISO 50001; ISO 14001.

## EU Directives:

- Pressure Equipment Directive 97/23/EC
- Low Voltage Directive (LVD) 2014/30/EU
- RoHS (Restriction of use of certain Hazardous Substances) Directive 2011/65/EU
- Electromagnetic Compatibility (EMC) Directive 2014/35/EU
- These units have only ever been used for the storage of portable water supplied from the public mains. The water quality shall be in accordance with European Council Directive 98/83 EC, or revised version at the date of installation, and is not fed with water from a private supply.

## Legislation:

- Building Regulations Part G and Part L (England and Wales)
- Scottish Building Standards Section 4 and Section 6
- Building Regulations (Northern Ireland) Parts F1 and F2 and Part P
- Water Supply (Water Fittings) Regulations (England and Wales)
- The Water Byelaws 2004 (Scotland)
- Water Supply (Water Fittings) Regulations (Northern Ireland).

## Standards: Complies with relevant clauses of the following standards:

- EN 12897 – Specification for indirectly heated unvented cylinders
- EN 60335-2-21 – Safety-Particular requirements for storage water heaters.

## The stainless steel materials used comply with the relevant clauses of:

- EN 10088 – Technical delivery conditions for sheet/plate and strip of corrosion resisting steels for general purposes.

## Components supplied comply with the following standards:

- BS EN 1490 Building Valves – Combined Temperature and Pressure Relief Valves
- BS EN 1491 Building Valves – Expansion Valves
- BS 6144 Specification for Expansion Vessels Using An Internal Diaphragm For Unvented Water Supply Systems
- BS EN 1567 Building Valves – Water Pressure Reducing Valves and Combination Reducing Valves
- BS EN 60730-1 Automatic Electrical Controls – For households and similar use Part 1: General Requirements
- BS EN 60730-2-8 Automatic Electrical Controls – Particular Requirements for Electrically Operated Water Valves
- BS EN 13959 Anti-pollution Check Valves.

## The use of these water heaters will aid in compliance with:

- Health and Safety Executive Approved Code of Practice L8: The control of legionella bacteria in water systems
- BS EN 806 Parts 1 to 5: Specification for installations inside buildings conveying water for human consumption
- BS 8558 Guide to the design, installation, testing and maintenance of services supplying water for domestic use within buildings
- Chartered Institute of Building Services Engineers Guide B and Guide F.

## Approvals:

- Direct and Indirect Kiwa Certification Number: 2304703



## How we can help you

With Baxi, the heating system is only part of the story. We're also passionate about giving you the service and support you need, for your Baxi product.

### Genuine parts

We have a full range of approved spares and quality heating essentials for all Baxi products. For more details, visit [baxi.co.uk/trade/boilers-parts-and-accessories/parts](https://baxi.co.uk/trade/boilers-parts-and-accessories/parts)

### Product training

Our product training courses offer practical training on our latest products and are carried out by qualified experts at our training centres throughout the UK. To find out more, visit [baxi.co.uk/trade/training-courses](https://baxi.co.uk/trade/training-courses) or speak to your Area Sales Manager.

### Expert service and support

Our Baxi Customer Support Team of experts can help with installation, service and repair. For further technical support and how-to videos, visit [baxi.co.uk](https://baxi.co.uk) or call us on **0344 871 1525**

### Baxi Works loyalty scheme

Baxi Works has everything you need in one place. It's the go-to for any busy installer, full of resources, benefits and rewards to thank you for being a loyal partner of Baxi. It's easy to join, whether you're Gas Safe registered or not. For more information visit [baxiworks.co.uk](https://baxiworks.co.uk)