

**Part no. 7784412**

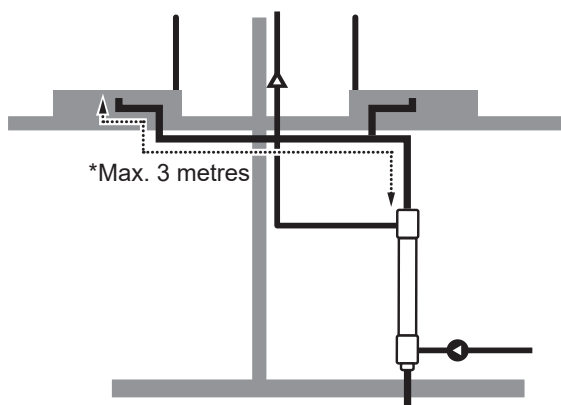
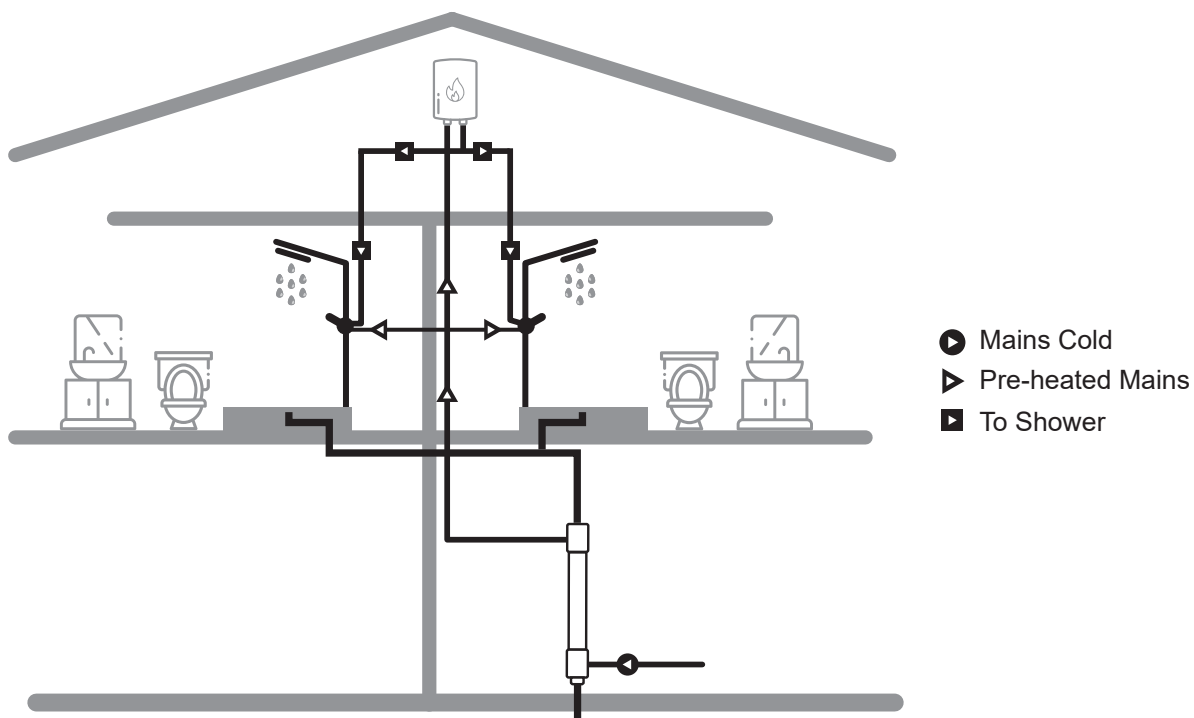
## **Fitting Instructions**

Waste Water Heat Recovery Unit Accessory

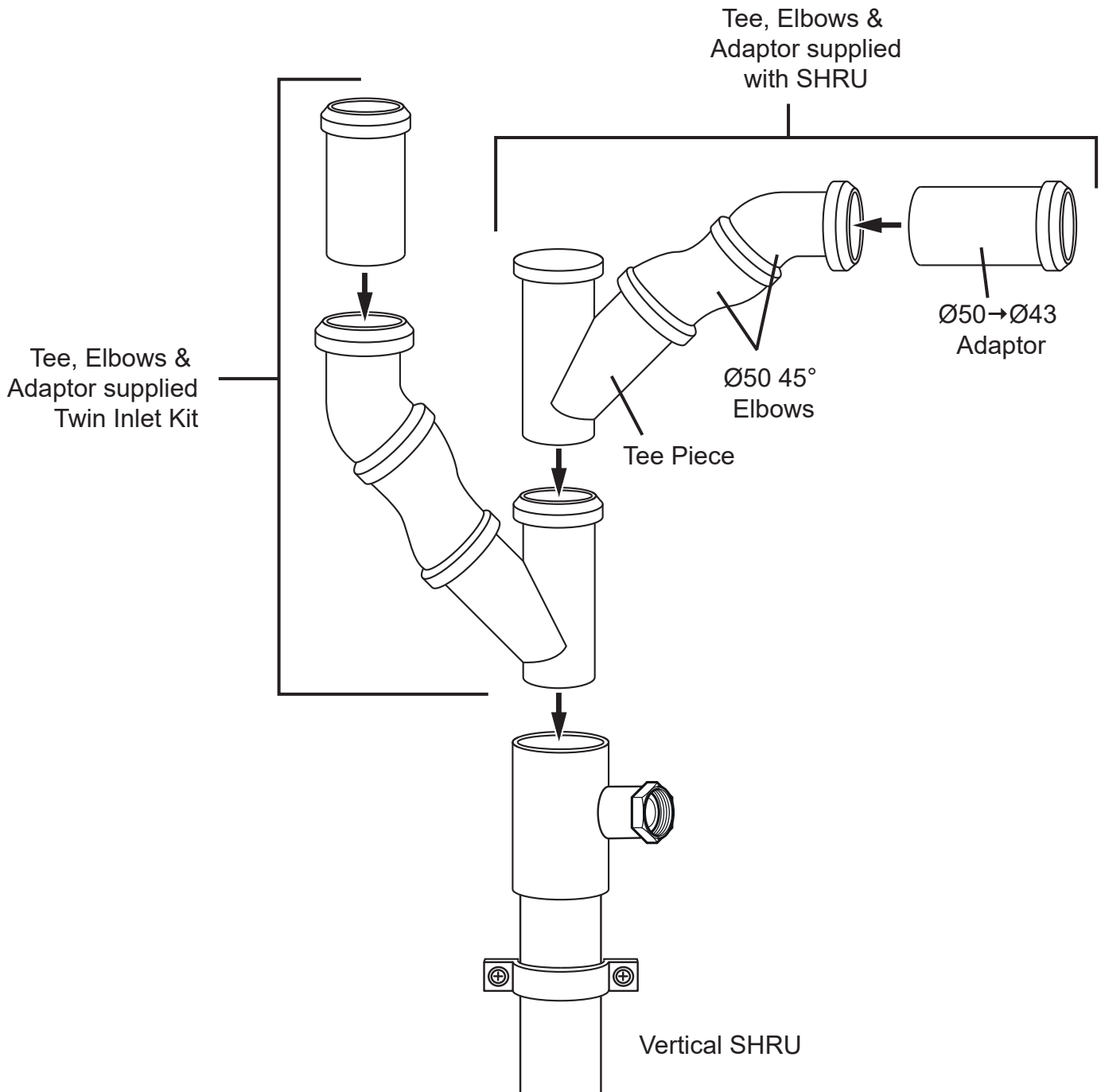
**Twin Inlet for Assure Vertical SHRU**

## Information - Assure Vertical SHRU Twin Inlet Accessory

1. The Twin Inlet accessory is for use with the Baxi Assure Vertical SHRU.
2. It allows two showers to be connected to the unit providing that they are both no further than 3 metres away\*.
3. The schematic diagram below shows a typical example of a twin entry application.



## Fitting the Assure Vertical SHRU Twin Inlet Accessory



1. Insert the Tee Piece supplied in the Vertical SHRU pack into the one provided as the Twin Inlet accessory.
2. Fit the 2 x Ø50 45° Elbows to the Tee Pieces and set them to the required orientation to align with the waste water pipework.
3. Connect the waste water pipework using the Ø50→Ø43 Adaptors (one supplied with the SHRU, one with this Twin Entry accessory).
4. Continue with the installation of the SHRU.

## **Baxi Customer Support**



**0344 871 1545**



**Baxi**  
Brooks House,  
Coventry Road,  
Warwick, CV34 4LL



**baxi.co.uk**

e&oe

All descriptions and illustrations provided in this document have been carefully prepared but we reserve the right to make changes and improvements in our products which may affect the accuracy of the information contained in this leaflet. All goods are sold subject to our standard Conditions of Sale which are available on request.