



Installation, User and Service Manual

Baxi 750L Buffer
Baxi 1000L Buffer
Baxi 1500L Buffer
Baxi 2000L Buffer
Baxi 2500L Buffer
Baxi 3000L Buffer
Baxi 5000L Buffer

Please keep these instructions in a safe place.
If you move house, please hand them over to the next occupier.

Dear Customer,

Thank you very much for buying this appliance.

Please read through the manual carefully before using the product, and keep it in a safe place for later reference. In order to ensure continued safe and efficient operation we recommend that the product is serviced regularly. Our service and customer service organisation can assist with this.

We hope you enjoy years of problem-free operation with the product.

Contents

1	Safety	4
1.1	General safety instructions	4
1.2	Recommendations	4
1.3	Liabilities	5
1.3.1	Manufacturer's liability	5
1.3.2	Installer's liability	5
1.3.3	User's liability	5
2	About this manual	5
2.1	General	5
2.2	Symbols used in the manual	5
3	Technical specifications	6
3.1	Homologations	6
3.1.1	Directives	6
3.2	Technical data	6
3.3	Main dimensions	7
3.3.1	dimensions	7
4	Description of the product	8
4.1	General description	8
4.1.1	Operating modes	8
4.2	Standard delivery	8
4.3	Accessories & options	8
5	Before installation	9
5.1	Choice of the location	9
5.1.1	Choosing a location for the storage tank	9
5.1.2	Positioning the appliance	9
5.2	Unpacking and manual transport	10
5.2.1	Installing the insulating material	11
5.2.2	Position of the data plates	13
6	Installation	13
6.1	General	13
6.2	Hydraulic connections	13
6.2.1	Examples of hydraulic connection diagrams for buffer tanks	13
7	Disposal	14
7.1	Disposal and Recycling	14
8	Spare parts	15
8.1	General	15
8.2		15
9	Warranty	16
9.1	General	16
9.2	Terms of warranty	16
10	Appendix	17
10.1	Information on the ecodesign and energy labelling directives	17
10.1.1	Specific information	17

1 Safety

1.1 General safety instructions



Danger

This appliance can be used by children aged 3 years and above and persons with reduced physical, sensory or mental capabilities or lack of experience and knowledge if they are given correct supervision or instruction on using the appliance in complete safety and understand the hazards involved. Children shall not play with the appliance. Children must not carry out any unsupervised cleaning or maintenance operations. Children aged between 3 and 8 years are only permitted to use the tap connected to the water heater.



Danger

Before any work, switch off the mains electricity to the system.



Danger

Do not use the appliance with liquids other than mains water.



Danger

Do not carry out any repair or maintenance work before checking the temperature of the liquid and the pressure in the tank.



Caution

Only qualified professionals are authorised to work on the buffer tank.



Important

The appliance must be installed in such a way that maintenance and/or repairs can be carried out.



Caution

The buffer tank is not intended for the storage of domestic hot water and using it for that purpose is formally prohibited.



Important

This manual can also be found on our internet site.

1.2 Recommendations



Caution

Do not neglect to service the buffer tank. Contact a qualified professional or subscribe to a maintenance contract for the annual service.



Caution

The buffer tank is delivered with its orifices open. Before installation, plug the top and bottom orifices.



Important

Insulate the pipes to reduce heat losses to a minimum.



Caution

Do not make any modifications to the buffer tank without the written consent of the manufacturer.



Important

Never remove or cover labels and data plates affixed to the appliances. Labels and data plates must be legible throughout the entire lifetime of the appliance.

Damaged or illegible instructions and warning stickers must be replaced immediately.



Caution

Only qualified persons are authorised to assemble, install and maintain the installation.

1.3 Liabilities

1.3.1 Manufacturer's liability

Our products are manufactured in compliance with the requirements of the various Directives applicable. They are therefore delivered with all the necessary documents. In the interests of the quality of our products, we strive constantly to improve them. We therefore reserve the right to modify the specifications given in this document.

Our liability as manufacturer may not be invoked in the following cases:

- Failure to abide by the instructions on installing and maintaining the appliance.
- Failure to abide by the instructions on using the appliance.
- Faulty or insufficient maintenance of the appliance.

1.3.2 Installer's liability

The installer is responsible for the installation and initial commissioning of the appliance. The installer must observe the following instructions:

- Read and follow the instructions given in the manuals provided with the system.
- Install the system in compliance with prevailing legislation and standards.
- Carry out initial commissioning and any checks necessary.
- Explain the installation to the user.
- If maintenance is necessary, warn the user of the obligation to check the appliance and keep it in good working order.
- Give all the instruction manuals to the user.

1.3.3 User's liability

To guarantee optimum operation of the system, you must abide by the following instructions:

- Read and follow the instructions given in the manuals provided with the appliance.
- Call on a qualified professional to carry out installation and initial commissioning.
- Get your installer to explain your installation to you.
- Have the required inspections and maintenance carried out by a qualified installer.
- Keep the instruction manuals in good condition close to the appliance.

2 About this manual

2.1 General



Warning

Follow these instructions carefully to ensure that the appliance operates correctly.

2.2 Symbols used in the manual

This manual uses various danger levels to draw attention to special instructions. We do this to improve user safety, to prevent problems and to guarantee correct operation of the appliance.



Danger

Risk of dangerous situations that may result in serious personal injury.



Danger of electric shock

Risk of electric shock.



Warning

Risk of dangerous situations that may result in minor personal injury.



Caution

Risk of material damage.



Important

Please note: important information.

**See**

Reference to other manuals or pages in this manual.

3 Technical specifications

3.1 Homologations

3.1.1 Directives

This product complies with the requirements of the following European Directives and Standards:

- Low Voltage Directive 2014/35/EU (if the heating element option is fitted)
- Generic standard: EN 60335-1
- Relevant standards: EN 60335-2-21
- Pressure Equipment Directive 2014/68/EU, Article 4, paragraph 3
- This product conforms to the requirements of European Directive 2009/125/EC on the ecodesign of energy-related products.
- In addition to the legal requirements and guidelines, the supplementary guidelines in this manual must also be followed.
- Supplements or subsequent regulations and guidelines that are valid at the time of installation shall apply to all regulations and guidelines specified in this manual.

3.2 Technical data

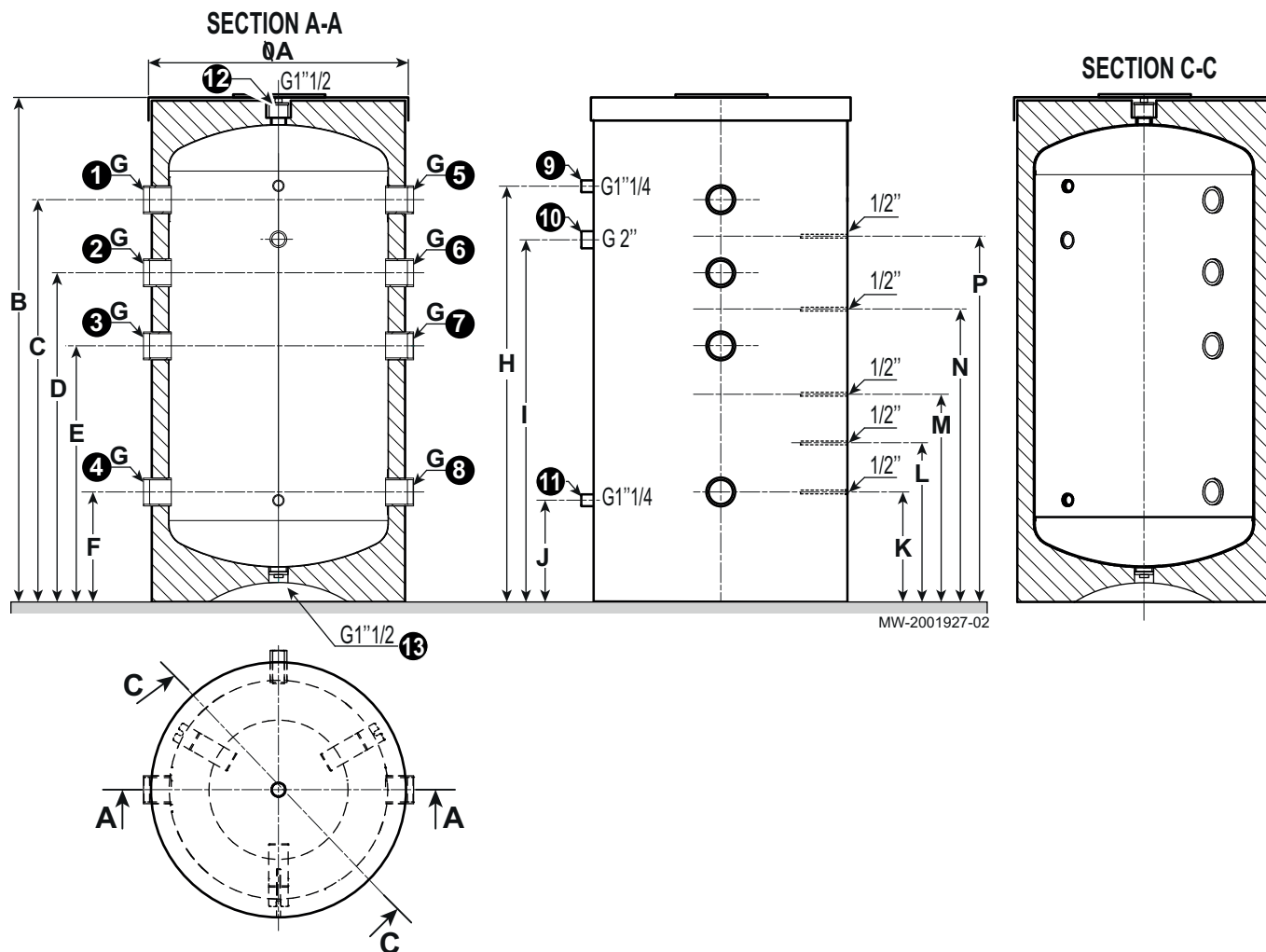
Baxi 750 à 5000L Buffer technical specifications

	Unit	Baxi 750L Buffer	Baxi 1000L Buffer	Baxi 1500L Buffer	Baxi 2000L Buffer	Baxi 2500L Buffer	Baxi 3000L Buffer	Baxi 5000L Buffer
Capacity	Litres	750	1000	1500	2000	2500	3000	5000
Maximum pressure	bar	6	6	6	6	6	6	6
Maximum operating temperature	°C	95	95	95	95	95	95	95
Minimum operating temperature	°C	6	6	6	6	6	6	6
Standing loss	W	104	131	150	190	-	-	-
Net weight	kg	95	115	180	240	250	300	525

3.3 Main dimensions

3.3.1 dimensions

Fig.1



- | | |
|---|--|
| 1 High-temperature heat generator flow | 8 Low-temperature heating circuit return |
| 2 High-temperature heat generator return | 9 Outlet for DHW station |
| 3 Heat pump flow | 10 Heating element location |
| 4 Heat pump return | 11 Inlet for DHW station |
| 5 High-temperature heating circuit flow | 12 Air vent location |
| 6 High-temperature heating circuit return | 13 Location of the drain plug |
| 7 Low-temperature heating circuit flow | |

Tab.1

Models	Baxi 750L Buffer	Baxi 1000L Buffer	Baxi 1500L Buffer	Baxi 2000L Buffer	Baxi 2500L Buffer	Baxi 3000L Buffer	Baxi 5000L Buffer
A	1010	1070	1220	1320	1470	1470	1820
B	1765	2075	2245	2565	2360	2860	2970
C	1445	1715	1800	2105	1865	2365	2400
D	1185	1390	1475	1705	1540	1915	1950
E	925	1065	1150	1305	1215	1465	1500
F	395	415	500	505	565	565	600
G	3"	3"	4"	4"	4"	4"	4"
H	1475	1745	1830	2135	1895	2395	2430
I	1285	1555	1615	1920	1680	2180	2215
J	365	385	470	475	535	535	570
K	395	415	500	505	565	565	600

4 Description of the product

Models	Baxi 750L Buffer	Baxi 1000L Buffer	Baxi 1500L Buffer	Baxi 2000L Buffer	Baxi 2500L Buffer	Baxi 3000L Buffer	Baxi 5000L Buffer
L	572	632	717	772	782	865	900
C	748	848	933	1038	998	1165	1200
N	1055	1228	1313	1505	1378	1690	1725
P	1315	1553	1638	1905	1703	2140	2175

4 Description of the product

4.1 General description

Baxi 750 à 5000L Buffer water storage tanks are used as storage units for heating installations where the operation of the heat source is not continuous.

Baxi 750 à 5000L Buffer water storage tanks coupled to the DHWS station are specially designed for installations with high domestic hot water requirements.

Baxi 750 à 5000L Buffer water storage tanks have the following specifications:

- 750 à 5000-litre capacity carbon steel tank.
- Primary insulation in polyethylene foam is bonded to the tank, with secondary insulation in polyester fibre.

4.1.1 Operating modes

The Baxi 750 à 5000L Buffer heating units have two operating modes:

- **Cooling operating mode:**
Specific polyethylene foam insulation is built directly into the tank, enabling it to operate in cooling mode, with a minimum temperature of 6 °C.
- **Heating operating mode:**
Secondary insulation in polyester fibre for operation in heating mode, maximum temperature 95 °.

4.2 Standard delivery

- The storage tank
- the storage tank cladding
- an installation, use and service manual

4.3 Accessories & options

Tab.2

Accessories	References
Bag of 2 1"1/2 plugs	7871184
Bag of 2 1"1/4 plugs	7871301
1 bag of 2" plugs	7871186
Bag of 2 3" plugs	7871187
Bag of 2 4" plugs	7871189
Three-phase 10 kW heating element	7871395

5 Before installation

5.1 Choice of the location

5.1.1 Choosing a location for the storage tank



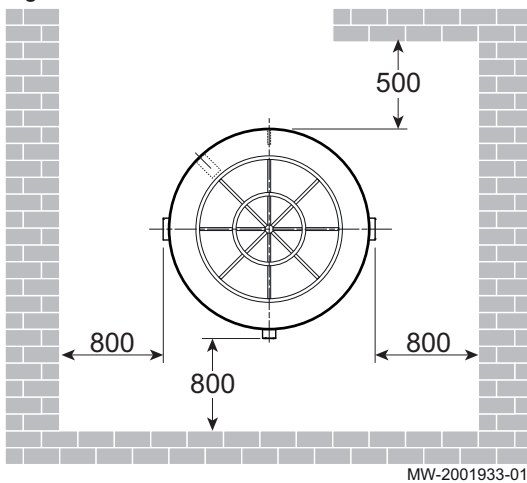
Caution

The storage tank must be installed in a frost-free room.

1. Determine the ideal location, taking into account the space required for maintenance of the storage tank, as well as legal guidelines.
2. Install the storage tank on a solid, stable structure capable of supporting its weight when filled with water.
3. Install the storage tank as close as possible to the draw-off points in order to minimise energy losses through the pipes.

5.1.2 Positioning the appliance

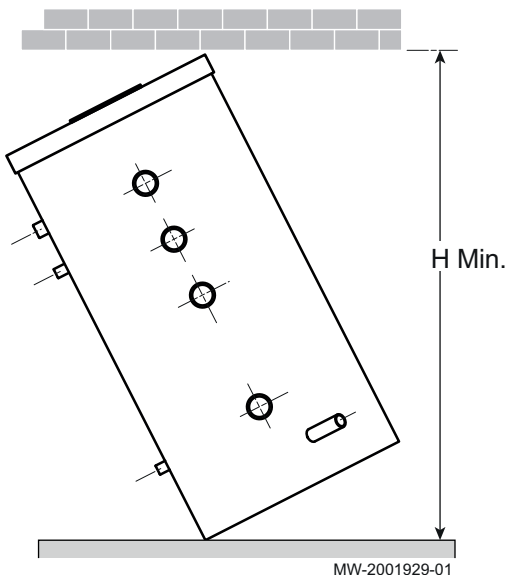
Fig.2



Position the appliance:

- Position the product, leaving sufficient space around it for maintenance.

Fig.3



- Place the product in an environment with an adequate height (max. H in vertical position).

Tab.3

Capacity (L)	Height (mm)
750	1986
1000	2308
1500	2555
2000	2885
2500	2780

Capacity (L)	Height (mm)
3000	3216
5000	3483

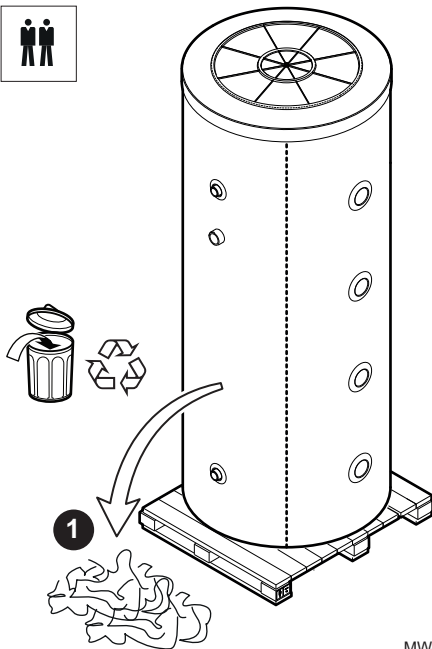
5.2 Unpacking and manual transport

Move the storage tank and its pallet using a forklift truck with a minimum load-bearing capacity of 350 kg.

Two people are needed for handling.

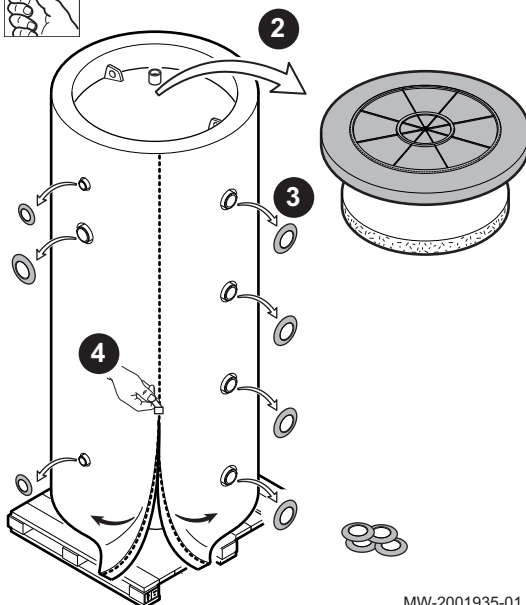
1. Remove the protective film from the storage tank.

Fig.4



MW-2001934-01

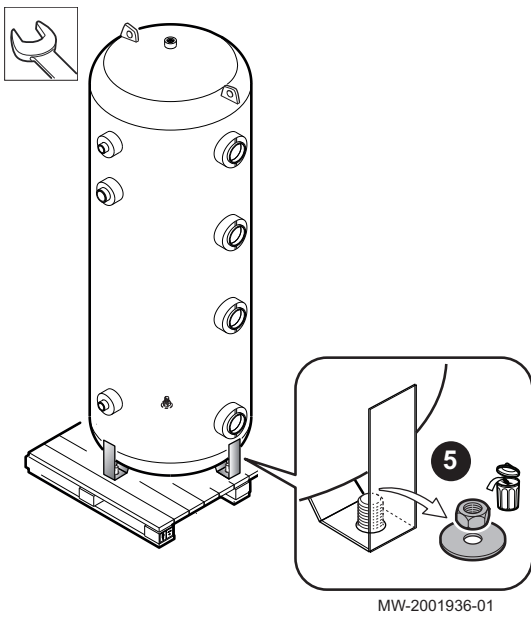
Fig.5



MW-2001935-01

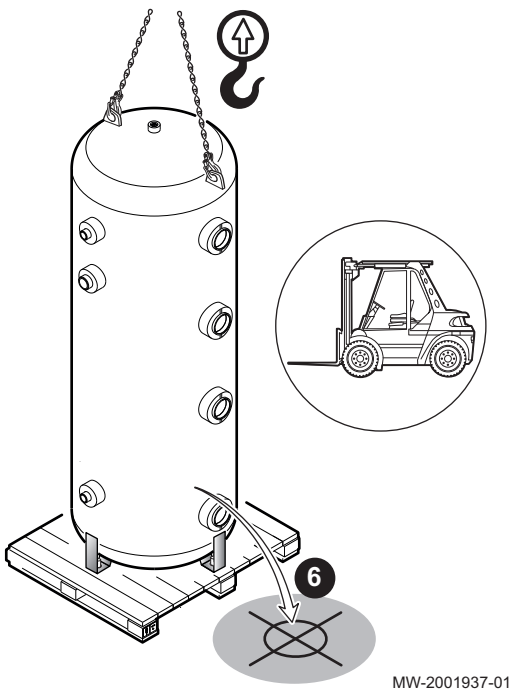
2. Remove the cover and top insulation.
3. Remove the collars from the connections.
4. Remove the insulating jacket from the storage tank.

Fig.6



5. Remove the retaining screws from the feet and dispose of them in the bin.

Fig.7

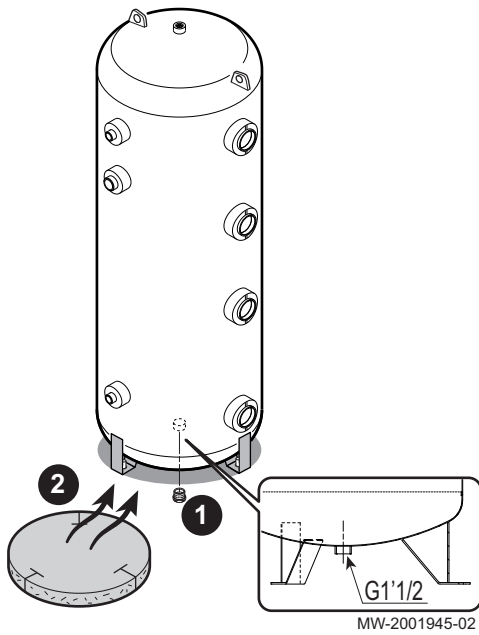


6. Remove the storage tank from its pallet and place it in its intended location using suitable lifting equipment.

5.2.1 Installing the insulating material

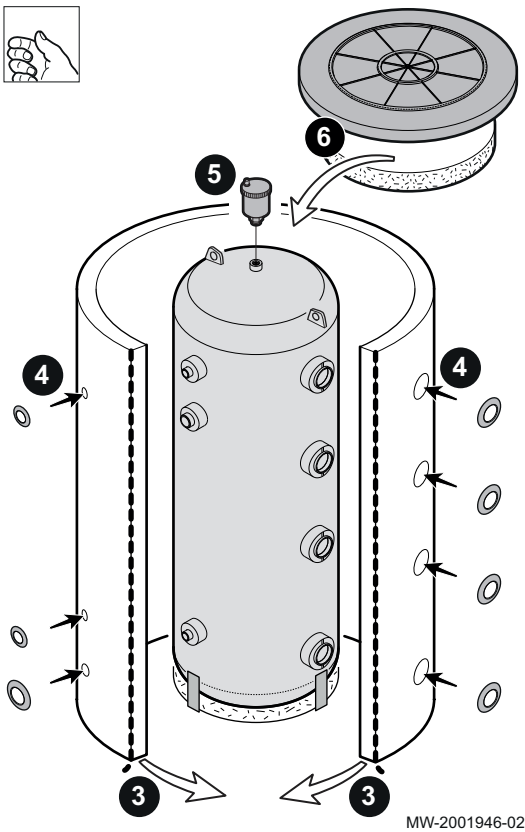
1. Plug the drain hole under the tank.

Fig.8



2. Place the insulating foam under the tank by inserting the feet into each cut-out.

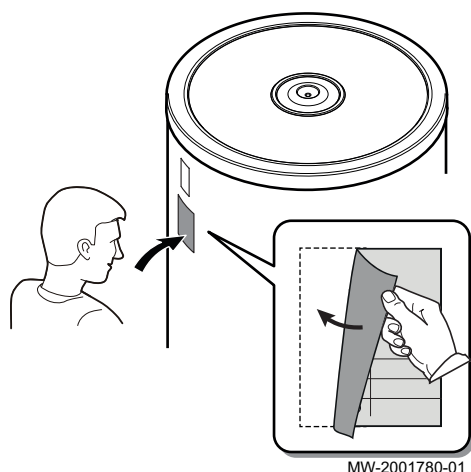
Fig.9



3. Position and zip the insulating jacket around the tank.
4. Fit the collars to the connections.
5. Screw the vent onto the orifice on the tank
6. Position the insulation and the top cover.

5.2.2 Position of the data plates

Fig.10



The data plates must be accessible at all times, they are used to identify the product and give the following information:

- Appliance type,
- Serial number,

6 Installation

6.1 General



Important

The system must satisfy each point in the rules that govern works and interventions in individual homes, collective housing or other buildings. Installation must be carried out in accordance with the prevailing regulations, codes of practice and the recommendations in this manual.

6.2 Hydraulic connections

6.2.1 Examples of hydraulic connection diagrams for buffer tanks

The hydraulic diagrams to be used are those recommended by the generator(s). Please refer to the hydraulic diagrams of the generator(s) used.

Fig.11



Important

Diagrams are shown for information only

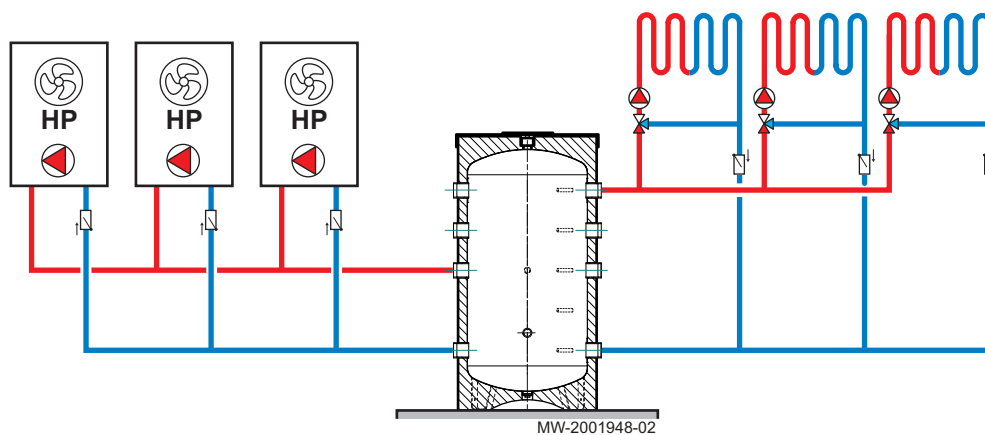


Fig.12

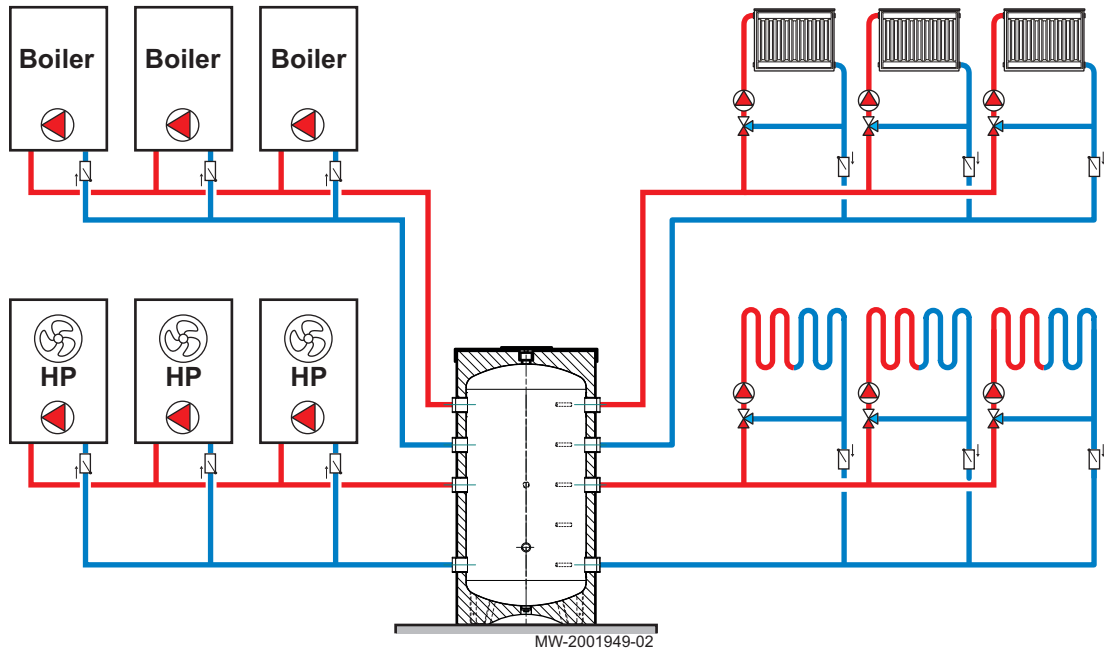
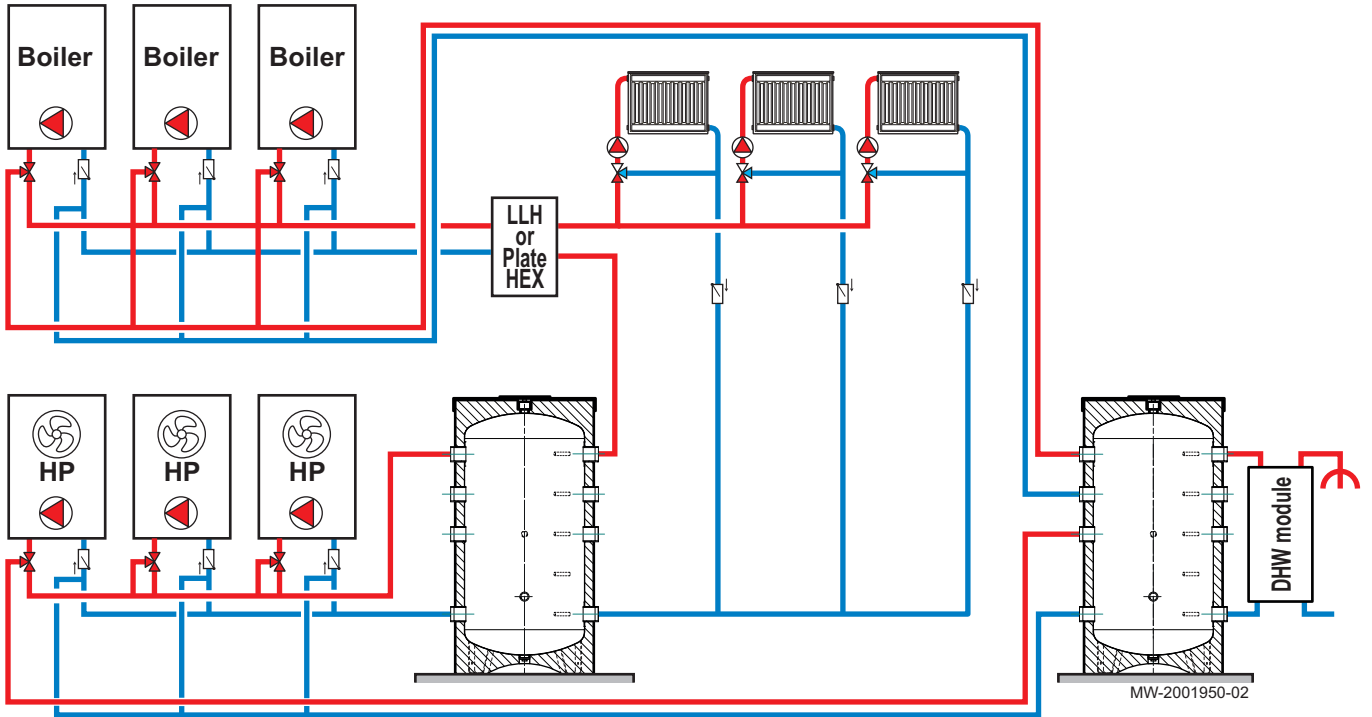


Fig.13



7 Disposal

7.1 Disposal and Recycling

Fig.14



Important

Removal and disposal of the domestic hot water cylinder must be carried out by a qualified installer in accordance with local and national regulations.

1. Cut the electricity to the domestic hot water cylinder.
2. Disconnect the cables on the electrical components.
3. Close the domestic water inlet valve.
4. Drain the installation.

5. Dismantle all water connections fitted to the domestic hot water cylinder outlet.
6. Scrap and recycle the domestic hot water cylinder in accordance with local and national regulations.

8 Spare parts

8.1 General

When it is observed subsequent to inspection or maintenance work that a component in the appliance needs to be replaced, use only original spare parts or recommended spare parts and equipment.

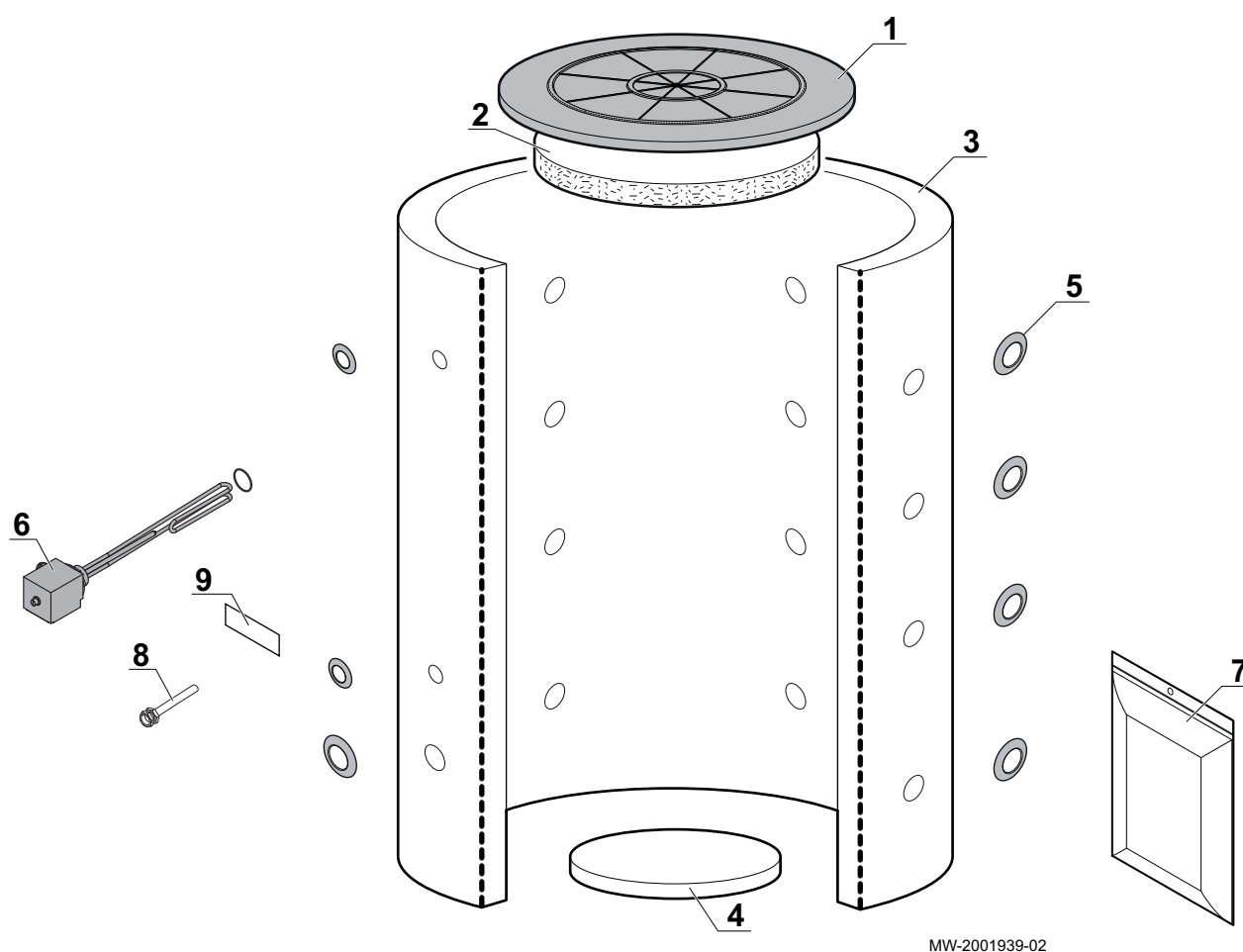


Important

To order a spare part, give the reference number shown on the list.

8.2

Fig.15



Tab.4

Marker	Reference	Description
1	7877165	Ø1010 thermoformed top cover
1	7877167	Ø1070 thermoformed top cover
1	7877168	Ø1220 flexible top cover
1	7877169	Ø1320 flexible top cover
1	7877170	Ø1470 flexible top cover
1	7877171	Ø1820 flexible top cover
2	7883048	Ø790 upper insulation

Marker	Reference	Description
2	7883050	Ø850 upper insulation
2	7883051	Ø1000 upper insulation
2	7883052	Ø1100 upper insulation
2	7883053	Ø1250 upper insulation
2	7883055	Ø1600 upper insulation
3	7877172	750 L casing
3	7877174	1000 L casing
3	7877175	1500 L casing
3	7877176	2000 L casing
3	7877177	2500 L casing
3	7877178	3000 L casing
3	7876468	5000 L casing
4	7883056	Ø790 lower insulation
4	7883057	Ø850 lower insulation
4	7883058	Ø1000 lower insulation
4	7883059	Ø1100 lower insulation
4	7883065	Ø1250 lower insulation
4	7883066	Ø1600 lower insulation
5	7883034	2 x 1/2" collars
5	7883035	2 x 1 1/4" collars
5	7883037	2 x 1 1/2" collars
5	7883038	1 x 2" collars
5	7883039	2 x 3" collars
5	7883040	2 x 4" collars
6	7876469	Three-phase 10 kW heating element
7	7871301	2 X 1"1/4 plugs
7	7871184	2 X 1"1/2 plugs
7	7871186	1 X 2" cap
7	7871187	2 X 3" plugs
7	7871189	2 X 4" plugs
8	7882948	1/2" screw-in sensor pocket
9	7883042	Baxi logo

9 Warranty

9.1 General

You have just purchased one of our appliances and we thank you for the trust you have placed in our products. Please note that your appliance will provide good service for a longer period of time if it is regularly checked and maintained. Our customer support network is at your disposal at all times.

9.2 Terms of warranty

Other countries: The following provisions do not affect the application, in favour of the buyer, of the legal provisions with regard to hidden defects that are applicable in the buyer's country.

Your appliance is covered by a contractual guarantee against manufacturing defects as of the date of purchase stated on the installer's invoice.

The warranty period is stated in our price list. As a manufacturer, we can by no means be held liable if the appliance is used incorrectly, is poorly maintained or not maintained at all, or is not installed correctly (it is your responsibility to ensure that installation is carried out by a qualified installer).

In particular, we cannot be held liable for material damage, intangible losses or physical injury resulting from an installation that does not comply with:

- Legal or regulatory requirements or provisions laid down by the local authorities,
- National or local regulations and special provisions relating to the installation,
- Our manuals and installation instructions, in particular in terms of regular maintenance of the appliances,
- the codes of practice.

Our warranty is limited to the replacement or repair of the parts found to be defective by our technical services team, excluding labour, transfer and transport costs.

Our warranty does not cover replacement or repair costs for parts that may become defective due to normal wear, incorrect usage, the intervention of unqualified third parties, inadequate or insufficient supervision or maintenance, a mains supply that is not appropriate or the use of unsuitable or poor quality fuel.

The warranty is only valid for sub-sets such as motors, pumps, electrical valves, etc. if these parts have never been dismantled.

The rights established in European Directive 99/44/EEC, implemented by legal decree No. 24 of 2 February 2002 and published in Official Journal No. 57 of 8 March 2002, remain in force.

10 Appendix

10.1 Information on the ecodesign and energy labelling directives

10.1.1 Specific information

■ Product sheet

Tab.5 Baxi 750 à 5000L Buffer storage tank product sheet

		Baxi 750L Buffer	Baxi 1000L Buffer	Baxi 1500L Buffer	Baxi 2000L Buffer	Baxi 2500L Buffer	Baxi 3000L Buffer	Baxi 5000L Buffer
Standing loss	W	104	131	150	190	-	-	-

Original instructions - © Copyright

All technical and technological information contained in these technical instructions, as well as any drawings and technical descriptions supplied, remain our property and shall not be multiplied without our prior consent in writing. Subject to alterations.

For Baxi Customer Support, contact us at



0844 871 1525

Please note calls may be monitored or recorded



www.baxi.co.uk

Register now to activate your warranty:
www.baxi.co.uk/registration

For the warranty to be maintained, please make sure...

- 1** Benchmark checklist is completed
- 2** Warranty is registered with Baxi
- 3** The boiler has an annual service

For full terms and conditions, visit www.baxi.co.uk/terms

Book your service or repair online:
www.baxi.co.uk/booking

Baxi, Brooks House
Coventry Road, Warwick, CV34 4LL.

