

# Commercial Thermal Stores

## Introduction

The Baxi range of Commercial Thermal Stores is designed to form part of both hybrid and all electric installations. The range is available in capacities from 750L to 5000L. The entire range is manufactured with 8 flow & return connections, allowing it to be operated with hybrid systems, alongside providing heat to a domestic hot water module. The connections are up to 4" to accommodate the high flow rates.

- Capacities from 750L - 5000L
- Removable Insulation jackets provided
- Up to 4" connections to manage high system flow rates
- 8 flow and return connections for use with hybrid systems
- 2 Years Parts & Labour Warranty
- High performance insulation to minimise heat loss
- Optional 10kW heating element (7876469)



# General Information

Tank material	Mild Steel
Application	Sealed heating circuit
Tank Finish	RAL 9010
Insulation material	PE + PS
Insulation thickness	110mm (140mm 1000/1500)
Casing material	White PVC shell roll
Airvent valve	Yes
Drain valve	Yes
Packaging	Individual Pallet

# Model

Storage volume (Litres)	750L - 5000L
Max working pressure (bar)	6 bar
Max working temp (C)	95°C

# Model Data

	750L	1000L	1500L	2000L	2500L	3000L	5000L
Product code	7897085	7897087	7897090	7897091	7897092	7897083	7897094
Storage Capacity (L)	726	1000	1438	2041	2500	3000	5000
Weight empty (kg)	95	115	180	240	250	300	525
Weight full (kg)	821	1115	1618	2281	2750	3300	5525
Height (mm)	1765	2140	2275	2565	2360	2860	2970
Insulated diameter (mm)	1010	1130	1280	1320	1470	1470	1820

## Clearances

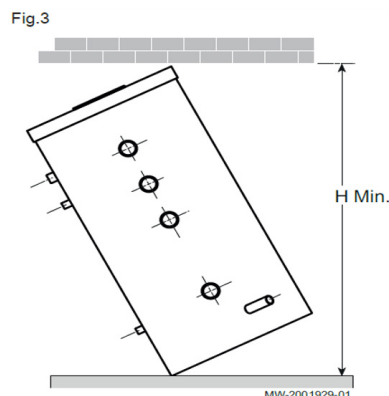
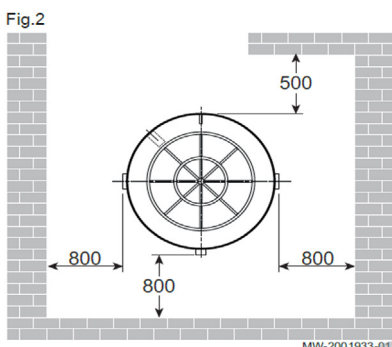
Front (mm) see Fig.2	500	500	500	500	500	500	500
Back (mm) see Fig.2	800	800	800	800	800	800	800
Sides (mm) see Fig.2	800	800	800	800	800	800	800
H Min (mm) see Fig. 2	1986	2308	2555	2885	2780	3216	3483

## Shipping

Height (mm)	1950	2300	2400	2600	2400	3000	3000
Depth (mm)	950	1050	1300	1400	1500	1500	1850
Width (mm)	950	1050	1300	1400	1500	1500	1850
Gross Weight (kg)	125	150	225	325	340	395	650
ERP class	C	C	C	C	N/A	N/A	N/A

## Standing loss

Standing loss (W)*	130	137	153	190	Not required for ECO Design Directive		
Standing loss (kW/24h)	3.12	3.31	3.69	4.58			



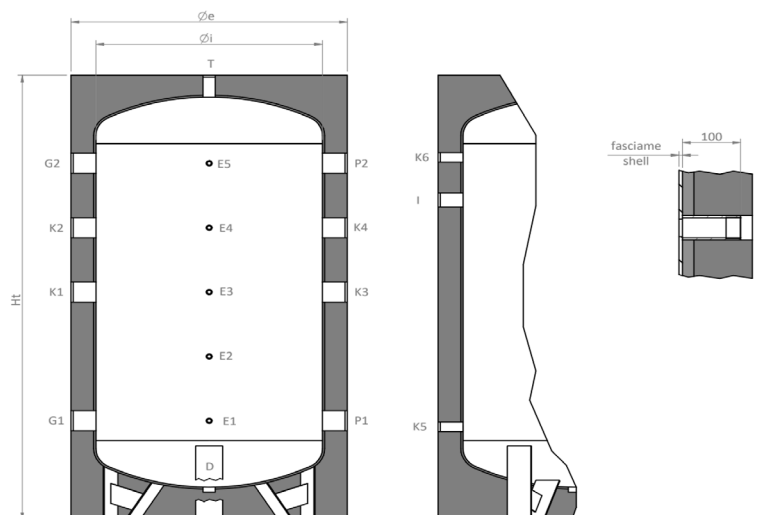
\*tested in accordance with BSEN12897

# Model Data

	750L	1000L	1500L	2000L	2500L	3000L	5000L
<b>Connection type</b>							
D - Drain	1.5"	1.5"	1.5"	1.5"	1.5"	1.5"	1.5"
E1 - E5 - sensor pocket	0.5"	0.5"	0.5"	0.5"	0.5"	0.5"	0.5"
G1 - heat generator flow	3"	3"	4"	4"	4"	4"	4"
G2 - heat generator return	3"	3"	4"	4"	4"	4"	4"
I - electric back-up	2"	2"	2"	2"	2"	2"	2"
K1 - 4 - Auxillary flow/returns	3"	3"	4"	4"	4"	4"	4"
K5 - 6 - Auxillary flow/returns	1.25"	1.25"	1.25"	1.25"	1.25"	1.25"	1.25"
P1 - heating flow	3"	3"	4"	4"	4"	4"	4"
P2 - heating return	3"	3"	4"	4"	4"	4"	4"
T - air vent	1.5"	1.5"	1.5"	1.5"	1.5"	1.5"	1.5"

## Connection locations - height from base (mm)

D - Drain	125	120	165	155	180	180	140
E1 - sensor pocket	395	415	500	505	565	565	600
E2 - sensor pocket	572	632	717	772	782	865	900
E3 - sensor pocket	748	848	933	1038	998	1165	1200
E4 - sensor pocket	1055	1228	1313	1505	1378	1690	1725
E5 - sensor pocket	1315	1553	1638	1905	1703	2140	2175
G1 - heat generator flow	395	415	500	505	565	565	600
G2 - heat generator return	1445	1715	1800	2105	1865	2365	2400
I - electric back-up	1285	1555	1615	1920	1680	2180	2215
K1 - auxillary	925	1065	1150	1305	1215	1465	1500
K2 - auxillary	1185	1390	1475	1705	1540	1915	1950
K3 - auxillary	925	1065	1150	1305	1215	1465	1500
K4 - auxillary	1185	1390	1475	1705	1540	1915	1950
K5 - auxillary	365	385	470	475	535	535	570
K6 - auxillary	1475	1745	1830	2135	1895	2395	2430
P1 - heating flow	395	415	500	505	565	565	600
P2 - heating return	1445	1715	1800	2105	1865	2365	2400



# Technical support

From brochures to CAD drawings and BIM files, you can access all the information you need from our UK and Ireland websites or call our sales or technical departments.

We're always happy to help.



## UK

0345 070 1055  
baxi.co.uk



## IRELAND

00353(0) 1 4590870  
baxi.ie

### We can provide you with:

- Brochures
- Technical specification sheets
- Case studies
- Installation manuals
- BIM files
- CAD files
- Energy-related products directive data
- Commissioning
- Technical information
- Spare parts (part of our sales service)

### Declaration of compliance

We hereby declare that the equipment is a product that complies with the following directives and standards. It has been manufactured and put into circulation in accordance with the requirements of the European Directives and the United Kingdom regulations. The full text of the EU declaration of conformity is supplied separately with your appliance.

### Applied standards, regulations and directives:

- Specification for indirectly heated unvented (closed) storage water heaters EN12897
- Material intended to come into contact with food stuffs (EC) N. 1935/2004
- Pressure Equipment Directive 2014/68/EU