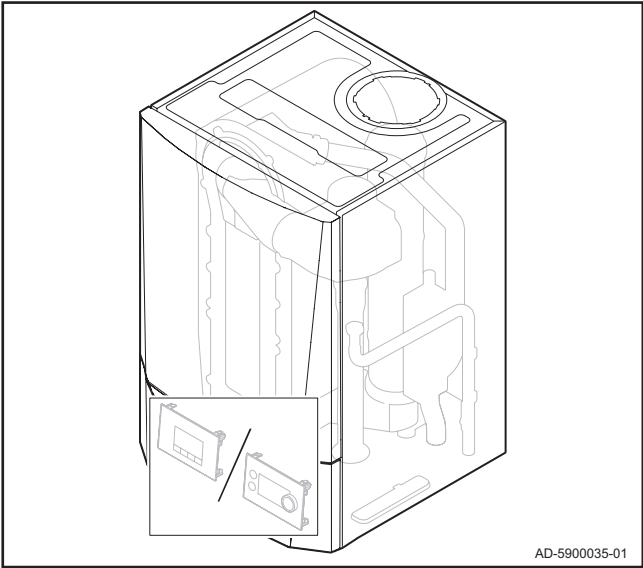


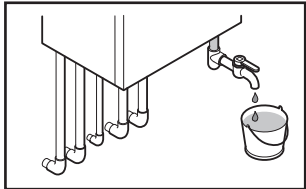
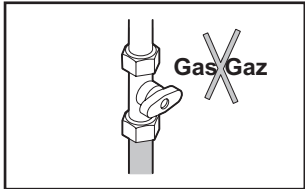
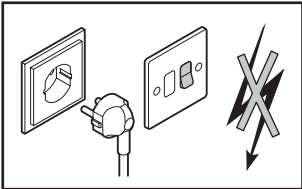
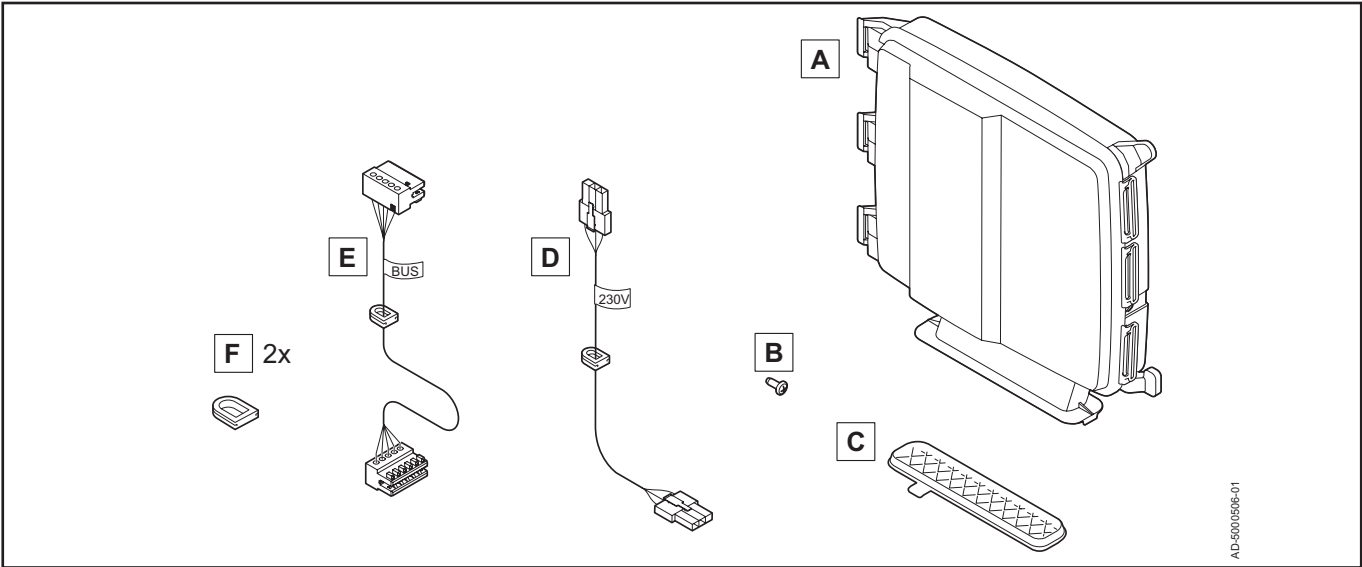
AD-5000516-01

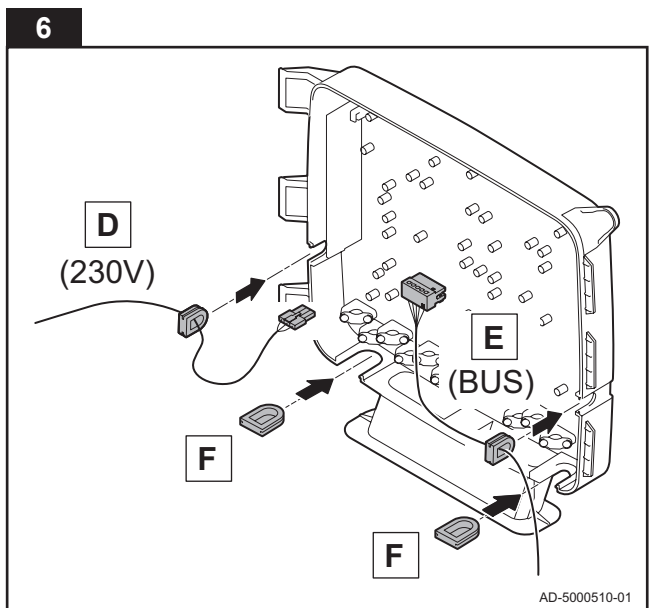
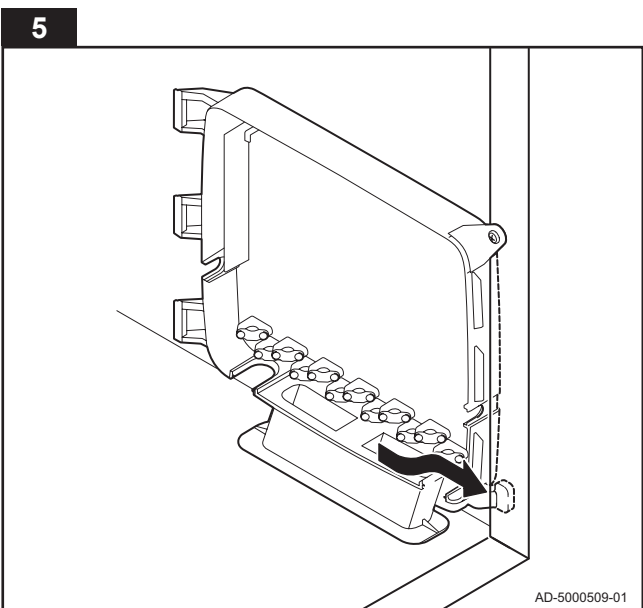
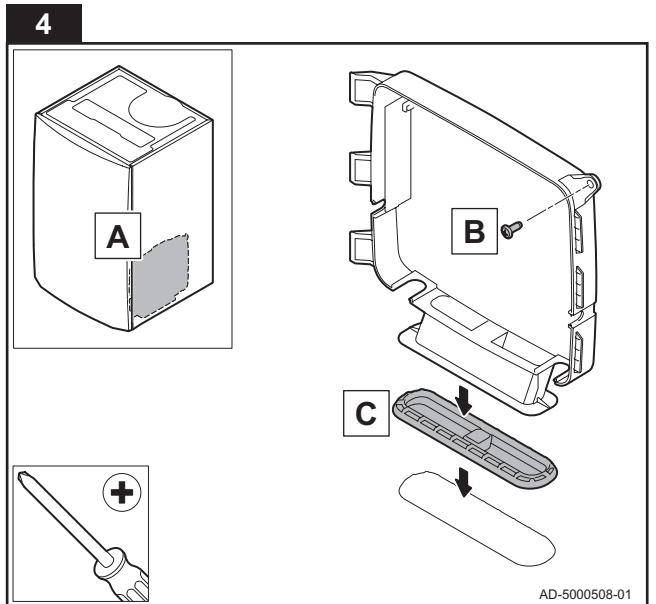
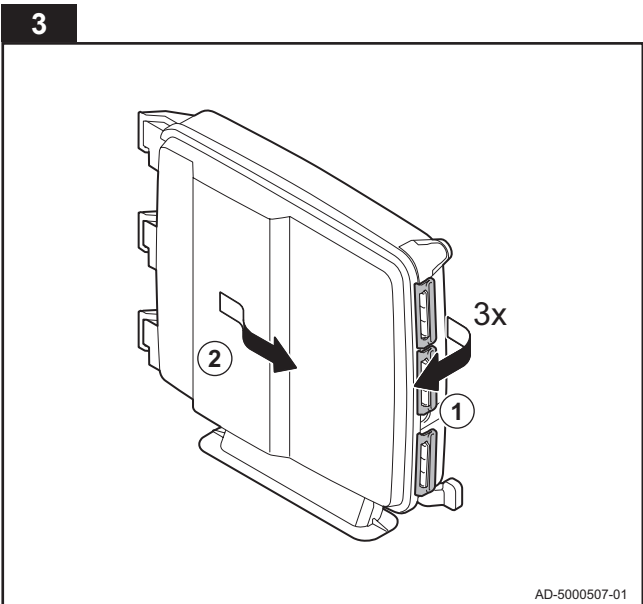
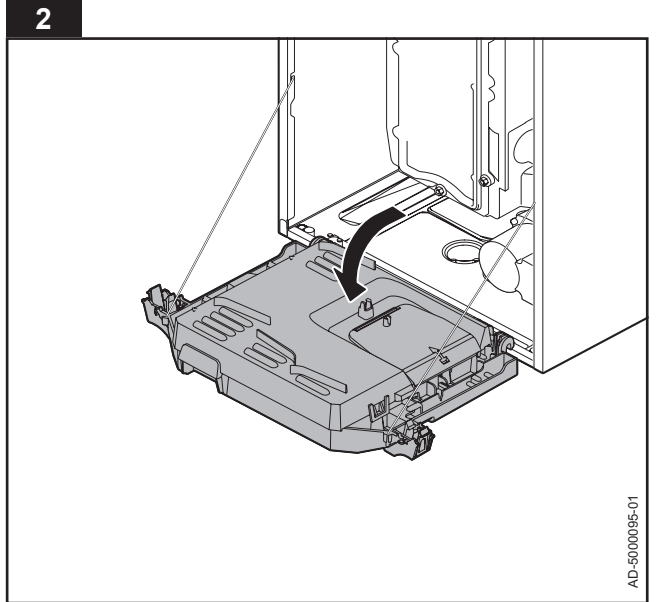
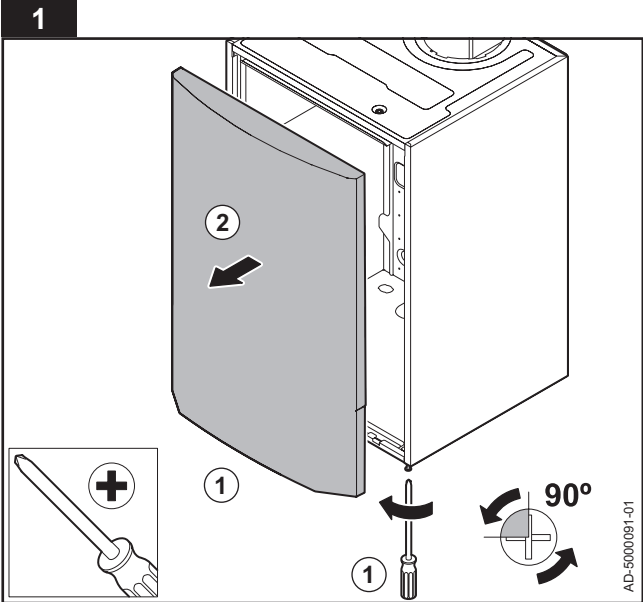
**Montage instructie
Assembly instructions
Instructions de montage
Montageanweisung
Instrucciones para el montaje
Istruzioni di montaggio**

**Elektronica uitbreidingsbox
Electronic extension box
Boîte d'extension électronique
Elektronik-Erweiterungsbox
Caja electrónica de extensión
Scatola di espansione elettronica**

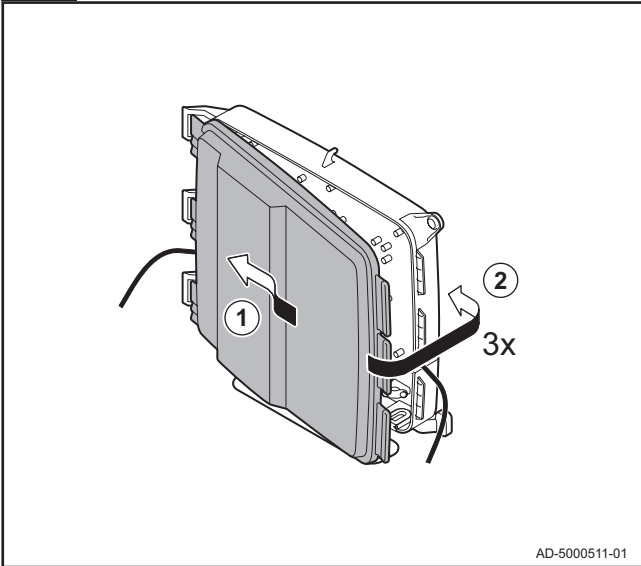


Inhoud verpakking - Set contents - Contenu du kit
 Inhalt des Bauatzes - Contenido del paquete - Contenuti del pacchetto

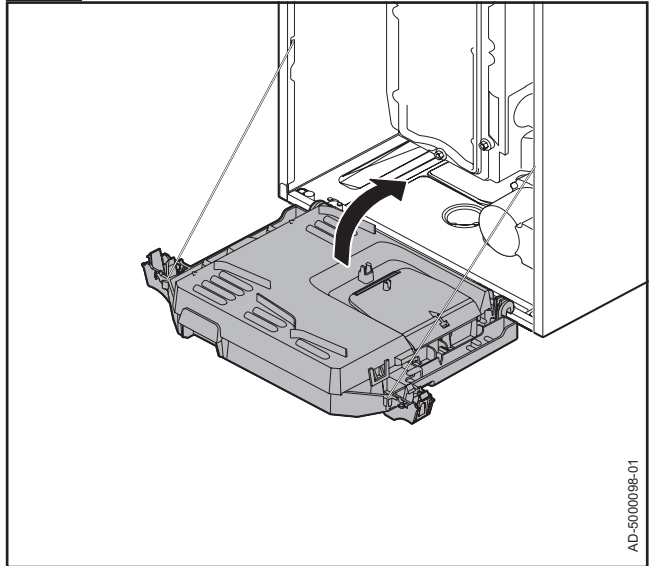




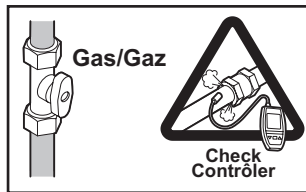
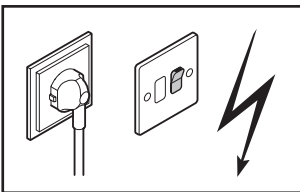
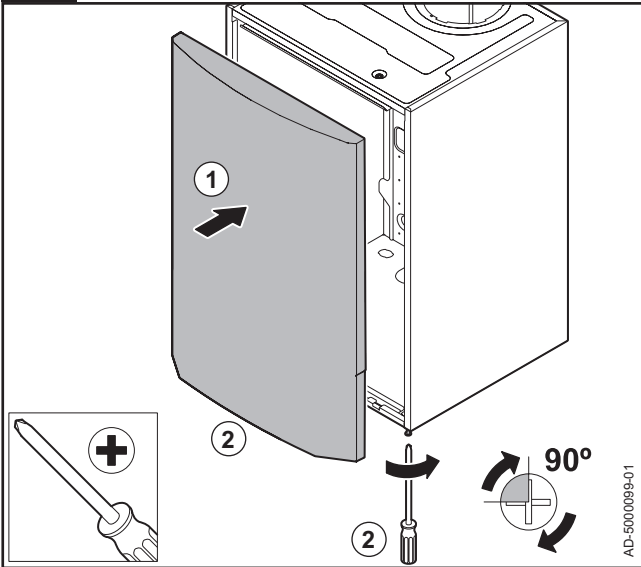
7



8



9



© Copyright

All technical and technological information contained in these technical instructions, as well as any drawings and technical descriptions supplied, remain our property and shall not be multiplied without our prior consent in writing.

Ours is a policy of continuous development. We reserve the right to alter specifications without prior notification.
Subject to alterations.

