

FTI Order (or Quote) No.: \_\_\_\_\_

# ROUND DUCT ORDER COVER SHEET

## Catalog 04/24.3

COMPANY:

CITY / STATE / ZIP CODE:

PROJECT MGR.:

PHONE NO.:

ORDER DATE:

EMAIL:

DELIVERY DATE:

SHIP TO:

STREET / ROAD:

CITY / STATE / ZIP CODE:

PROJECT NAME.:

PHONE NO.:

INDICATE SYSTEM PRESSURE CLASS:

- 6" WG (-1,493 Pa)   
  -10" WG (-2,488 Pa)   
  -14" WG (-3,484 Pa)   
  -18" WG (-4,479 Pa)

INDICATE SUBSTRATE:

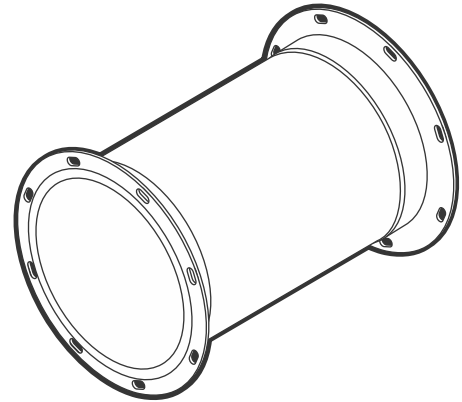
- 304     316

INDICATE HARDWARE:

- GRADE 5   
  18-8 (304SS)   
  316SS   
  EZ   
  NONE (CUSTOM RINGS)

# PermaShield<sup>®</sup>

## Stainless Steel Corrosive Fume Exhaust System With PermaShield Fluoropolymer Barrier Coating



OTHER: \_\_\_\_\_

# Fab-Tech

An Exyte Group Company

480 Hercules Drive / Colchester, VT 05446

Tel: 802-655-8800 / Fax: 802-655-8804

Email: sales@fabtechinc.com

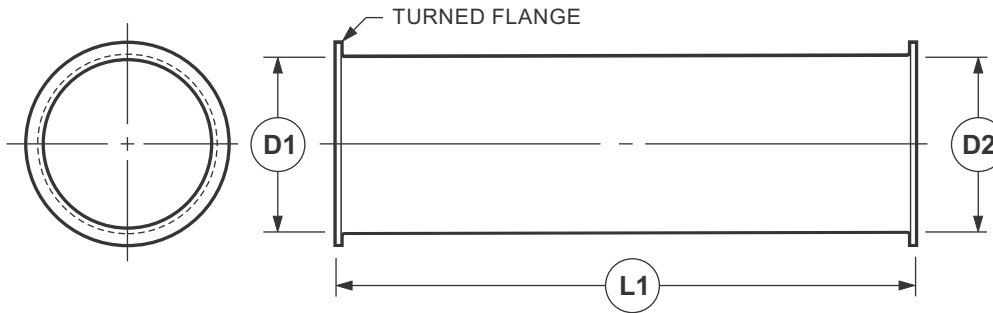
Web: www.fabtechinc.com

© COPYRIGHT 2023 FAB-TECH, INC. REV: 09/19/24 RND001BJ

Content

<b>DUCT &amp; FITTINGS</b>	Straight Duct _____	3	
	Straight Duct with Test Port / Drain _____	4	
	Straight Duct with Straight Tap _____	5	
	Straight Duct with Conical Tap _____	6	
	Straight Duct with Shoe Tap _____	7	
	Straight Duct with Lateral Tap _____	8	
	Straight Duct with Multiple Taps Spec Sheet _____	9	
	Straight Duct with Multiple Taps _____	10	
	Gored Elbows _____	11	
	Reducers _____	12	
	Offsets _____	13	
	End Caps _____	14	
	Mesh End Caps _____	15	
	Concentric Round to Rectangular Transition _____	16	
	Custom Fitting _____	17	
	<b>CONTROL DEVICES</b>	Damper Actuator Worksheet _____	18
		4" - 12" (101.6 - 304.8) Wafer Isolation Damper _____	19
2" & 3" (50.8 - 76.2) EZ Damper & EZ Blastgate _____		20	
4" - 14" (101.6 - 355.6) Industrial Isolation Damper _____		21	
4" - 14" (101.6 - 355.6) Industrial Isolation Short Damper _____		22	
6" - 14" (152.4 - 355.6) AMCA Industrial Isolation Damper _____		23	
16" - 34" (406.4 - 863.6) AMCA High Value Heavy Duty Industrial Damper (HVD) _____		24	
16" - 48" (406.4 - 1219.2) High Value Heavy Duty Industrial Damper (HVD) _____		25	
36" - 48" (914.4 - 1219.2) AMCA High Value Heavy Duty Industrial Damper (HVD) _____		26	
50" (1270.0) & Larger Reinforced Heavy Duty Industrial Damper _____		27	
24" - 84" (609.6 - 2133.6) Ultra Series Industrial Damper _____		28	
86" - 120" (2184.4 - 3048.0) Ultra Series Dual Blade Industrial Damper _____		29	
4" - 36" (101.6 - 914.4) Horizontal Run Isolation Blastgate _____		30	
16" - 36" (406.4 - 914.4) Horizontal Run Actuated Isolation Blastgate _____		31	
38" (965.2mm) & Larger Horizontal Run Multi-blade Isolation Blastgate _____		32	
38" (965.2mm) & Larger Horizontal Run Actuated Multi-blade Isolation Blastgate _____		33	
4" - 36" (101.6 - 914.4) Vertical Run Isolation Blastgate _____		34	
16" - 36" (406.4 - 914.4) Vertical Run Actuated Isolation Blastgate _____		35	
38" (965.2mm) & Larger Vertical Run Multi-blade Isolation Blastgate _____		36	
38" (965.2mm) & Larger Vertical Run Actuated Multi-blade Isolation Blastgate _____	37		
<b>ACCESSORIES</b>	Field Installed Nipple _____	38	
	Field Installed Test Port _____	39	
	Field Installed Straight Saddle Tap _____	40	
	Field Installed Boot Saddle Tap _____	41	
	Field Installed Lateral Saddle Tap _____	42	
	Field Installed Hot Tap _____	43	
	Cast Ring _____	44	
	Angle Ring _____	45	
	Custom Angle Ring _____	46	
	PSP-EZ™ Clamp Kit _____	47	
	Manual and Hydraulic Swage Kits _____	48	
PTFE Gaskets _____	49		
<b>EZ FITTINGS</b>	EZ Straight Standard and Custom Length _____	50	
	EZ Tees, Laterals _____	51	
	EZ Elbows _____	52	
	EZ Reducers _____	53	
	EZ Damper, Blastgate, Field Flange, End Cap _____	54	
	EZ Clamps & Gaskets _____	55	
<b>FAB-TECH FLANGE SYSTEM</b>	FT Flange to KF Flange, Dwyer Pitot, Spinkler & Swagelok® Adapters _____	56	
	FT Flange to NPT Male Adapter & NPT Female Uncoated Adapters _____	57	
	Field Installed 2" (50.8) FT Flange _____	58	
	Field Installed FT Flange Saddle Tap _____	59	
	Specialized Installation Tools _____	60	

Straight Duct



FITTING NUMBER	QTY	- D1 - DUCT DIA.	-L1- DUCT LENGTH	-D1- RING TYPE	-D2- RING TYPE	REMARKS

**STANDARD DUCT LENGTHS ("L1")**

RING	DIAMETER	"L1"=4' (1219.2)	"L1"=8' (2438.4)	RING	DIAMETER	"L1"=4' (1219.2)	"L1"=8' (2438.4)
EZ/SC	4" (101.6) & 6" (152.4)	47.25" (1200.5)	NA	BI/SS	16" (406.4) TO 48" (1219.2)	47.25" (1200.5)	95.25" (2419.35)
EZ/SC	8" (203.2) TO 14" (355.6)	47.25" (1200.5)	95.25" (2419.35)	BI/SS	50" (1270) TO 120" (3048)	46.75" (1187.45)	94.75" (2406.65)

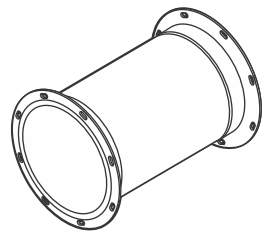
- NOTES:**
- SEE THE STANDARDS SECTION OF THE PRODUCT CATALOG FOR INFORMATION ABOUT DUCT GAUGE, RING MECHANICAL SPECS, HARDWARE AND GASKETS.
  - OPTION:** CUSTOM LENGTH
  - OPTION:** RAW END
  - DUCT GREATER THAN 84" DIA. (2133.6mm) REQUIRES FAB-TECH ENGINEERING REVIEW AND APPROVAL.
  - GREATER THAN STANDARD DUCT LENGTHS AND/OR HIGHER SYSTEM PRESSURES MAY REQUIRE ADDITIONAL STIFFENERS PER SMACNA, CONTACT FTI FOR SPECS.
  - ALL DUCT FITTINGS WITH STANDARD FAB-TECH CONNECTIONS INCLUDE GASKETS AND CLAMPS OR HARDWARE AS REQUIRED FOR INSTALLATION.

**DUCT JOINT / RING TYPE**

- EZ** EZ CLAMP  
4"Ø-14"Ø (101.6 - 355.6)
- SC** STAINLESS CAST RING  
4"Ø-14"Ø (101.6 - 355.6)
- BI** BLACK IRON ANGLE RING  
16"Ø-120"Ø (406.4 - 3048.0)
- SS** STAINLESS ANGLE RING  
16"Ø-120"Ø (406.4 - 3048.0)

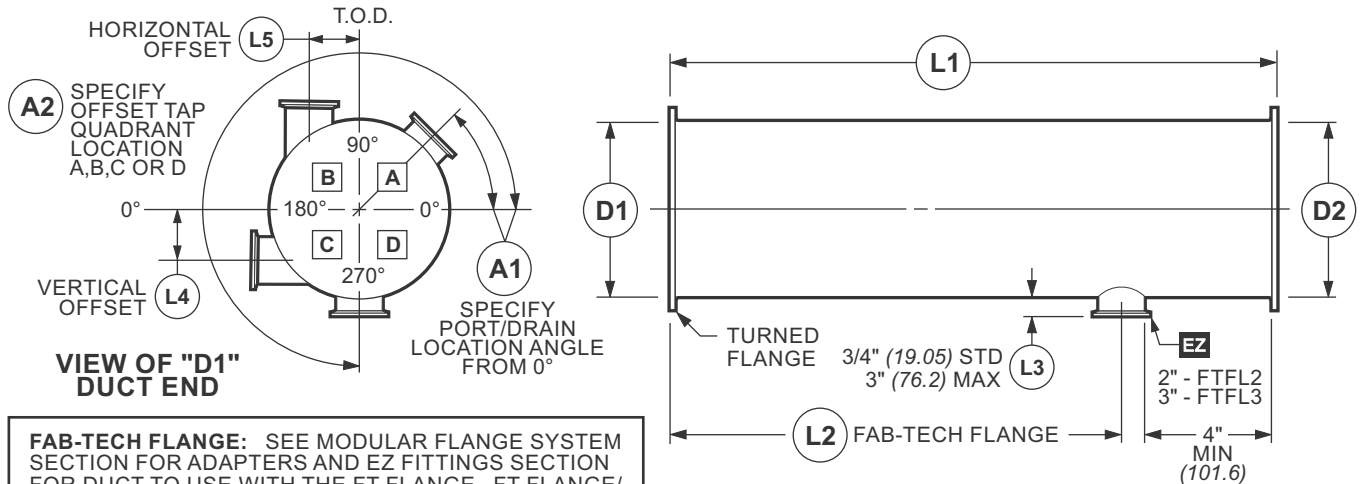
**METRIC EQUIVALENTS ARE SHOWN IN PARENTHESIS & ITALICS ( MILLIMETERS OR AS NOTED )**

REMARKS:



COMPANY / JOB REFERENCE:

Straight Duct with 2" (50.8) & 3" (76.2) EZ Tap ( Test Port, Drain)



**FAB-TECH FLANGE:** SEE MODULAR FLANGE SYSTEM SECTION FOR ADAPTERS AND EZ FITTINGS SECTION FOR DUCT TO USE WITH THE FT FLANGE. FT FLANGE/ TEST PORT MAY BE INSTALLED ON FITTINGS OTHER THAN STRAIGHT DUCT.

FITTING NUMBER	QTY	- D1 - DUCT DIA.	- L1 - DUCT LENGTH	- D1 - RING TYPE	- D2 - RING TYPE	TAP SPECIFICATIONS			OFFSET TAP			
						TAP SIZE	- L2 - LOCATE TAP FROM D1	- L3 - TAP LENGTH	- A1 - TAP ANGLE	- A2 - TAP QUAD A,B,C,D	- L4 - VERT OFFSET	- L5 - HORZ OFFSET
						2"						
						3"						
						2"						
						3"						
						2"						
						3"						
						2"						
						3"						

**STANDARD DUCT LENGTHS ("L1")**

RING	DIAMETER	"L1"=4' (1219.2)	"L1"=8' (2438.4)	RING	DIAMETER	"L1"=4' (1219.2)	"L1"=8' (2438.4)
EZ/SC	4" (101.6) & 6" (152.4)	47.25" (1200.5)	NA	BI/SS	16" (406.4) TO 48" (1219.2)	47.25" (1200.5)	95.25" (2419.35)
EZ/SC	8" (203.2) TO 14" (355.6)	47.25" (1200.5)	95.25" (2419.35)	BI/SS	50" (1270) TO 120" (3048)	46.75" (1187.45)	94.75" (2406.65)

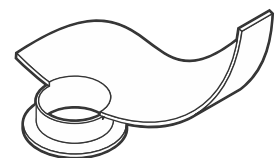
- NOTES:**
- SEE THE STANDARDS SECTION OF THE PRODUCT CATALOG FOR INFORMATION ABOUT DUCT GAUGE, RING MECHANICAL SPECS, HARDWARE AND GASKETS.
  - OPTION:** CUSTOM LENGTH
  - OPTION:** RAW END
  - OPTION:** MULTIPLE / OFFSET TAPS (SEE MULTIPLE TAP SHT)
  - DUCT GREATER THAN 84" DIA. (2133.6mm) REQUIRES FAB-TECH ENGINEERING REVIEW AND APPROVAL.
  - OUR RECOMMENDATION IS TO ADD TAPS TO STANDARD 4' (1219.2) AND 8' (2438.4) DUCT WHEN POSSIBLE - TAP DIMENSIONS SHOWN ARE MINS. LONGER THAN STANDARD LENGTHS AND/OR HIGHER SYSTEM PRESSURE MAY REQUIRE ADDITIONAL STIFFENERS PER SMACNA, CONTACT FAB-TECH FOR SPECIFIC GUIDELINES.
  - ALL DUCT FITTINGS WITH STANDARD FAB-TECH CONNECTIONS INCLUDE GASKETS AND CLAMPS OR HARDWARE AS REQUIRED FOR INSTALLATION.

**DUCT JOINT / RING TYPE**

- EZ** EZ CLAMP  
4"Ø-14"Ø (101.6 - 355.6)
- SC** STAINLESS CAST RING  
4"Ø-14"Ø (101.6 - 355.6)
- BI** BLACK IRON ANGLE RING  
16"Ø-120"Ø (406.4 - 3048.0)
- SS** STAINLESS ANGLE RING  
16"Ø-120"Ø (406.4 - 3048.0)

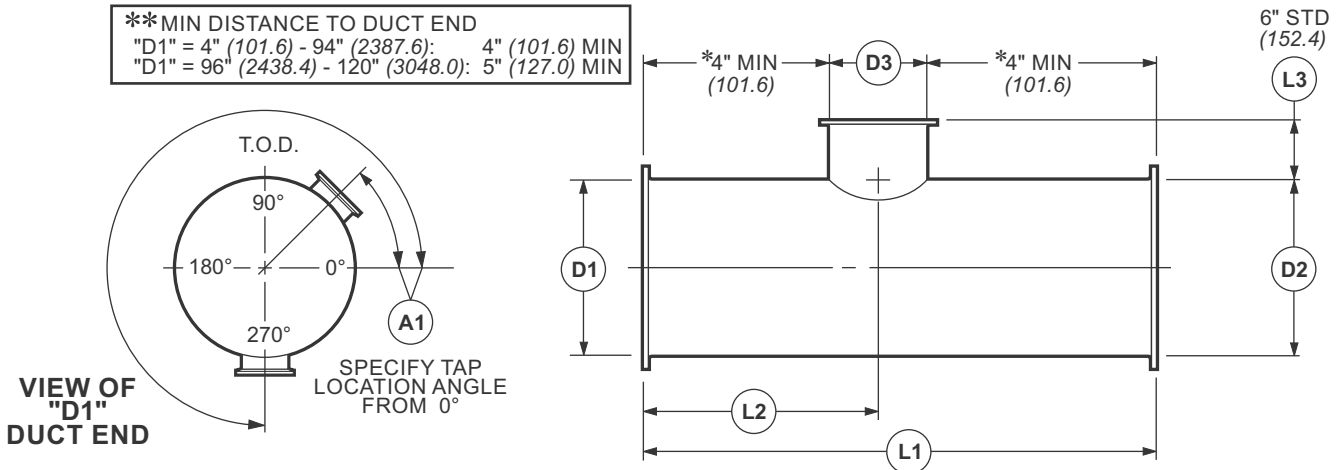
**METRIC EQUIVALENTS ARE SHOWN IN PARENTHESIS & ITALICS ( MILLIMETERS OR AS NOTED )**

REMARKS:



COMPANY / JOB REFERENCE:

Straight Duct with Straight Tap ( Not for use with 2" (50.4) & 3" (76.2) EZ Taps )



"L1" MIN = ( "D3" + 8" (203.2)  
 "L1" MAX = 96-1/4" (2444.8)  
 "D3" MAX = 88" (2235.2)  
 STRAIGHT TAP GREATER THAN 88" (2235.2) [ "D3" ]  
 REQUIRES 2 PIECE DESIGN AND ENGINEERING REVIEW

TAP SPECIFICATIONS

FITTING NUMBER	QTY	- D1 - DUCT DIA.	-L1- DUCT LENGTH	-D1- RING TYPE	-D2- RING TYPE	-D3- TAP DIA.	-L2- LOCATE TAP FROM D1	-L3- TAP LENGTH	-D3- RING TYPE	-A1- TAP ANGLE

STANDARD DUCT LENGTHS ( "L1" )

RING	DIAMETER	"L1"=4' (1219.2)	"L1"=8' (2438.4)	RING	DIAMETER	"L1"=4' (1219.2)	"L1"=8' (2438.4)
EZ/SC	4" (101.6) & 6" (152.4)	47.25" (1200.5)	NA	BI/SS	16" (406.4) TO 48" (1219.2)	47.25" (1200.5)	95.25" (2419.35)
EZ/SC	8" (203.2) TO 14" (355.6)	47.25" (1200.5)	95.25" (2419.35)	BI/SS	50" (1270) TO 120" (3048)	46.75" (1187.45)	94.75" (2406.65)

- NOTES:**
- SEE THE STANDARDS SECTION OF THE PRODUCT CATALOG FOR INFORMATION ABOUT DUCT GAUGE, RING MECHANICAL SPECS, HARDWARE AND GASKETS.
  - OPTION:** CUSTOM LENGTH
  - OPTION:** RAW END
  - OPTION:** MULTIPLE / OFFSET TAPS (SEE MULTIPLE TAP SHT)
  - DUCT GREATER THAN 84" DIA. (2133.6mm) REQUIRES FAB-TECH ENGINEERING REVIEW AND APPROVAL.
  - OUR RECOMMENDATION IS TO ADD TAPS TO STANDARD 4' (1219.2) AND 8' (2438.4) DUCT WHEN POSSIBLE - TAP DIMENSIONS SHOWN ARE MINS. LONGER THAN STANDARD LENGTHS AND/OR HIGHER SYSTEM PRESSURE MAY REQUIRE ADDITIONAL STIFFENERS PER SMACNA, CONTACT FAB-TECH FOR SPECIFIC GUIDELINES.
  - ALL DUCT FITTINGS WITH STANDARD FAB-TECH CONNECTIONS INCLUDE GASKETS AND CLAMPS OR HARDWARE AS REQUIRED FOR INSTALLATION.

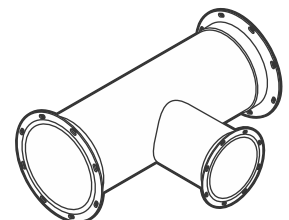
DUCT JOINT / RING TYPE

- EZ** EZ CLAMP  
4"Ø-14"Ø (101.6 - 355.6)
- SC** STAINLESS CAST RING  
4"Ø-14"Ø (101.6 - 355.6)
- BI** BLACK IRON ANGLE RING  
16"Ø-120"Ø (406.4 - 3048.0)
- SS** STAINLESS ANGLE RING  
16"Ø-120"Ø (406.4 - 3048.0)

**METRIC EQUIVALENTS ARE SHOWN IN PARENTHESIS & ITALICS ( MILLIMETERS OR AS NOTED )**

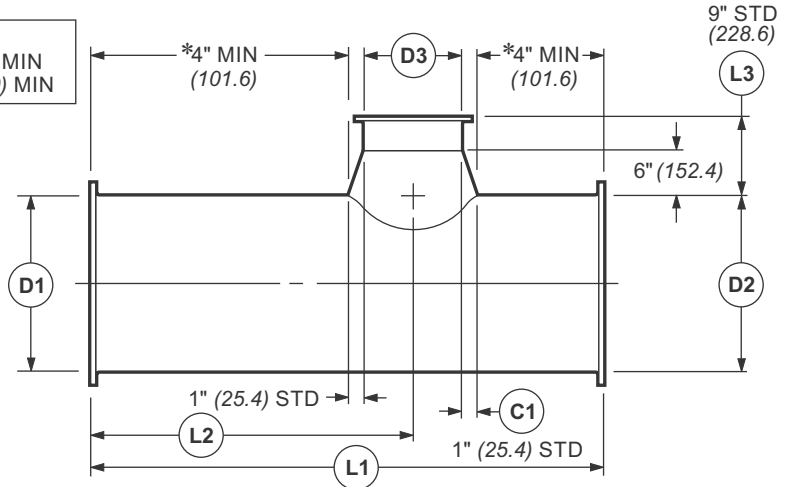
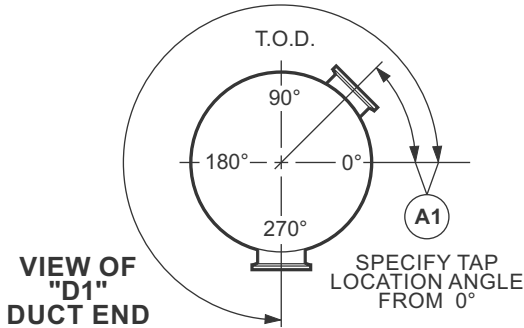
REMARKS:

COMPANY / JOB REFERENCE:



Straight Duct with Conical Tap

**\* MIN DISTANCE TO DUCT END**  
 "D1" = 4" (101.6) - 94" (2387.6) : 4" (101.6) MIN  
 "D1" = 96" (2438.4) - 120" (3048.0) : 5" (127.0) MIN



"L1" MIN = ( "D3" + 10" (254.0)  
 "L1" MAX = 96-1/4" (2444.8)  
 "D3" MAX = 86" (2184.4)  
 CONICAL TAP GREATER THAN 86" (2184.4) [ "D3" ]  
 REQUIRES 2 PIECE DESIGN AND ENGINEERING REVIEW

TAP SPECIFICATIONS

FITTING NUMBER	QTY	- D1 - DUCT DIA.	-L1- DUCT LENGTH	-D1- RING TYPE	-D2- RING TYPE	-D3- TAP DIA.	-L2- LOCATE TAP FROM D1	-L3- TAP LENGTH	-D3- RING TYPE	-C1- BOOT LENGTH	-A1- TAP ANGLE

STANDARD DUCT LENGTHS ( "L1" )

RING	DIAMETER	"L1"=4' (1219.2)	"L1"=8' (2438.4)	RING	DIAMETER	"L1"=4' (1219.2)	"L1"=8' (2438.4)
EZ/SC	4" (101.6) & 6" (152.4)	47.25" (1200.5)	NA	BI/SS	16" (406.4) TO 48" (1219.2)	47.25" (1200.5)	95.25" (2419.35)
EZ/SC	8" (203.2) TO 14" (355.6)	47.25" (1200.5)	95.25" (2419.35)	BI/SS	50" (1270) TO 120" (3048)	46.75" (1187.45)	94.75" (2406.65)

- NOTES:**
- SEE THE STANDARDS SECTION OF THE PRODUCT CATALOG FOR INFORMATION ABOUT DUCT GAUGE, RING MECHANICAL SPECS, HARDWARE AND GASKETS.
  - OPTION:** CUSTOM LENGTH
  - OPTION:** RAW END
  - OPTION:** MULTIPLE / OFFSET TAPS (SEE MULTIPLE TAP SHT)
  - DUCT GREATER THAN 84" DIA. (2133.6mm) REQUIRES FAB-TECH ENGINEERING REVIEW AND APPROVAL.
  - OUR RECOMMENDATION IS TO ADD TAPS TO STANDARD 4' (1219.2) AND 8' (2438.4) DUCT WHEN POSSIBLE - TAP DIMENSIONS SHOWN ARE MINS. LONGER THAN STANDARD LENGTHS AND/OR HIGHER SYSTEM PRESSURE MAY REQUIRE ADDITIONAL STIFFENERS PER SMACNA, CONTACT FAB-TECH FOR SPECIFIC GUIDELINES.
  - ALL DUCT FITTINGS WITH STANDARD FAB-TECH CONNECTIONS INCLUDE GASKETS AND CLAMPS OR HARDWARE AS REQUIRED FOR INSTALLATION.

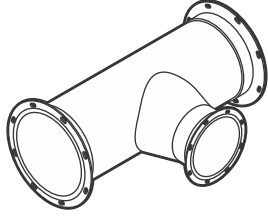
DUCT JOINT / RING TYPE

- EZ** EZ CLAMP  
4"Ø-14"Ø (101.6 - 355.6)
- SC** STAINLESS CAST RING  
4"Ø-14"Ø (101.6 - 355.6)
- BI** BLACK IRON ANGLE RING  
16"Ø-120"Ø (406.4 - 3048.0)
- SS** STAINLESS ANGLE RING  
16"Ø-120"Ø (406.4 - 3048.0)

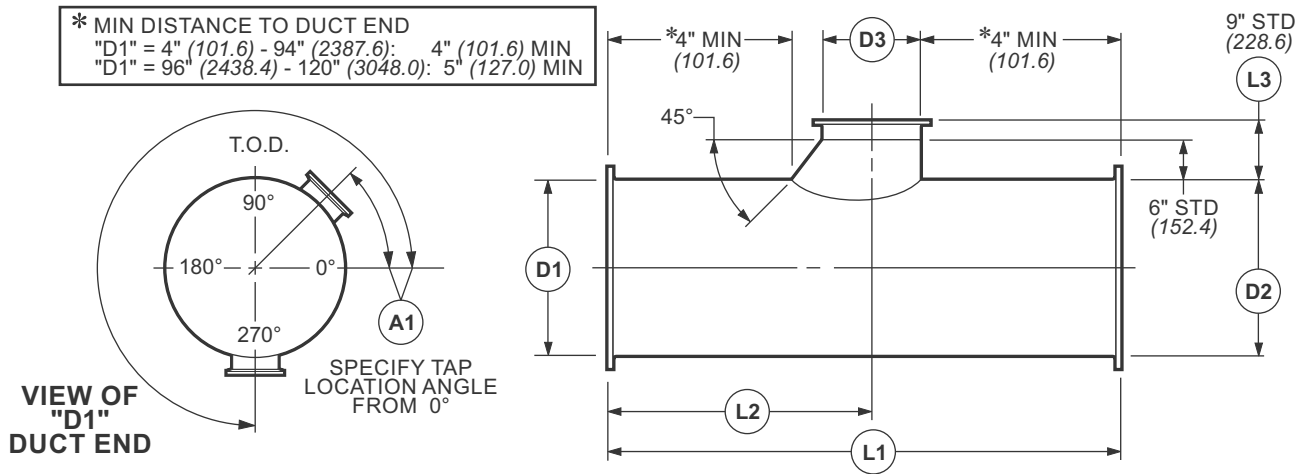
**METRIC EQUIVALENTS ARE SHOWN IN PARENTHESIS & ITALICS ( MILLIMETERS OR AS NOTED )**

REMARKS:

COMPANY / JOB REFERENCE:



Straight Duct with Shoe Tap



\* MIN DISTANCE TO DUCT END  
 "D1" = 4" (101.6) - 94" (2387.6): 4" (101.6) MIN  
 "D1" = 96" (2438.4) - 120" (3048.0): 5" (127.0) MIN

"L1" MIN = ("D3" + 6" (152.4)) + 8" (203.2)  
 "L1" MAX = 96-1/4" (2444.8)  
 "D3" MAX = 86" (2184.4)  
 SHOE TAP GREATER THAN MAX "D3"  
 REQUIRES 2 PIECE DESIGN AND ENGINEERING REVIEW

FITTING NUMBER	QTY	TAP SPECIFICATIONS								
		-D1- DUCT DIA.	-L1- DUCT LENGTH	-D1- RING TYPE	-D2- RING TYPE	-D3- TAP DIA.	-L2- LOCATE TAP FROM D1	-L3- TAP LENGTH	-D3- RING TYPE	-A1- TAP ANGLE

STANDARD DUCT LENGTHS ("L1")

RING	DIAMETER	"L1"=4' (1219.2)	"L1"=8' (2438.4)	RING	DIAMETER	"L1"=4' (1219.2)	"L1"=8' (2438.4)
EZ/SC	4" (101.6) & 6" (152.4)	47.25" (1200.5)	NA	BI/SS	16" (406.4) TO 48" (1219.2)	47.25" (1200.5)	95.25" (2419.35)
EZ/SC	8" (203.2) TO 14" (355.6)	47.25" (1200.5)	95.25" (2419.35)	BI/SS	50" (1270) TO 120" (3048)	46.75" (1187.45)	94.75" (2406.65)

- NOTES:**
- SEE THE STANDARDS SECTION OF THE PRODUCT CATALOG FOR INFORMATION ABOUT DUCT GAUGE, RING MECHANICAL SPECS, HARDWARE AND GASKETS.
  - OPTION:** CUSTOM LENGTH
  - OPTION:** RAW END
  - OPTION:** MULTIPLE / OFFSET TAPS (SEE MULTIPLE TAP SHT)
  - DUCT GREATER THAN 84" DIA. (2133.6mm) REQUIRES FAB-TECH ENGINEERING REVIEW AND APPROVAL.
  - OUR RECOMMENDATION IS TO ADD TAPS TO STANDARD 4' (1219.2) AND 8' (2438.4) DUCT WHEN POSSIBLE - TAP DIMENSIONS SHOWN ARE MINS. LONGER THAN STANDARD LENGTHS AND/OR HIGHER SYSTEM PRESSURE MAY REQUIRE ADDITIONAL STIFFENERS PER SMACNA, CONTACT FAB-TECH FOR SPECIFIC GUIDELINES.
  - ALL DUCT FITTINGS WITH STANDARD FAB-TECH CONNECTIONS INCLUDE GASKETS AND CLAMPS OR HARDWARE AS REQUIRED FOR INSTALLATION.

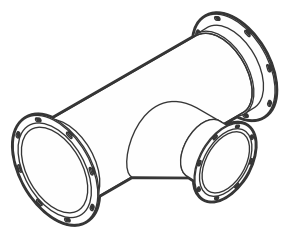
DUCT JOINT / RING TYPE

- EZ** EZ CLAMP  
4"Ø-14"Ø (101.6 - 355.6)
- SC** STAINLESS CAST RING  
4"Ø-14"Ø (101.6 - 355.6)
- BI** BLACK IRON ANGLE RING  
16"Ø-120"Ø (406.4 - 3048.0)
- SS** STAINLESS ANGLE RING  
16"Ø-120"Ø (406.4 - 3048.0)

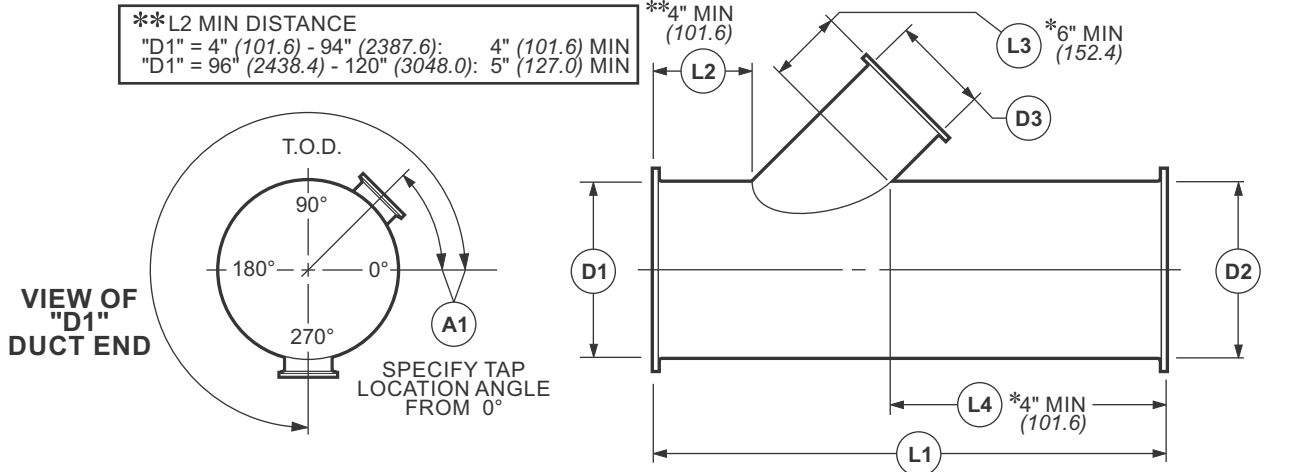
METRIC EQUIVALENTS ARE SHOWN IN PARENTHESIS & ITALICS ( MILLIMETERS OR AS NOTED )

REMARKS:

COMPANY / JOB REFERENCE:



Straight Duct with 45° Lateral Tap



TAP SPECIFICATIONS

FITTING NUMBER	QTY	-D1- DUCT DIA.	-L1- DUCT LENGTH	-D1- RING TYPE	-D2- RING TYPE	-D3- TAP DIA.	-L2- LOCATE TAP FROM D1	-L3- TAP LENGTH	-D3- RING TYPE	-A1- TAP ANGLE

"L1" MIN = ( "D3" X 1.414 ) + L2 MIN (101.6) + "L4" MIN  
 ( SEE MIN LENGTH CHART ABOVE FOR "L4" )  
 "L1" MAX = 96-1/4" (2444.8)  
 "D3" MAX = 60" (1524.0)  
 LATERAL TAP GREATER THAN 60" (1524.0) [ "D3" ]  
 REQUIRES 2 PIECE DESIGN AND ENGINEERING REVIEW

* MIN LENGTH FOR "L3" AND "L4"			
"D1"	"L3"	"L4"	
4" (101.6) - 48" (1219.2)	6" (152.4) MIN	4" (101.6) MIN	
50" (1270.0) - 58" (1473.2)	7" (177.8) MIN	4" (101.6) MIN	
60" (1524.0) - 94" (2387.6)	8" (203.2) MIN	5" (127.0) MIN	
96" (2348.4) - 120" (3048.0)	10 1/2" (266.7) MIN	6" (152.4) MIN	

STANDARD DUCT LENGTHS ("L1")

RING	DIAMETER	"L1"=4' (1219.2)	"L1"=8' (2438.4)	RING	DIAMETER	"L1"=4' (1219.2)	"L1"=8' (2438.4)
EZ/SC	4" (101.6) & 6" (152.4)	47.25" (1200.5)	NA	B/SS	16" (406.4) TO 48" (1219.2)	47.25" (1200.5)	95.25" (2419.35)
EZ/SC	8" (203.2) TO 14" (355.6)	47.25" (1200.5)	95.25" (2419.35)	B/SS	50" (1270) TO 120" (3048)	46.75" (1187.45)	94.75" (2406.65)

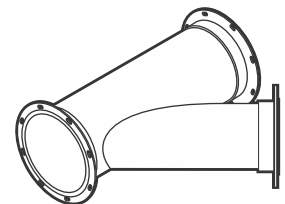
- NOTES:**
- SEE THE STANDARDS SECTION OF THE PRODUCT CATALOG FOR INFORMATION ABOUT DUCT GAUGE, RING MECHANICAL SPECS, HARDWARE AND GASKETS.
  - OPTION:** CUSTOM LENGTH
  - OPTION:** RAW END
  - OPTION:** MULTIPLE / OFFSET TAPS (SEE MULTIPLE TAP SHT)
  - DUCT GREATER THAN 84" DIA. (2133.6mm) REQUIRES FAB-TECH ENGINEERING REVIEW AND APPROVAL.
  - OUR RECOMMENDATION IS TO ADD TAPS TO STANDARD 4' (1219.2) AND 8' (2438.4) DUCT WHEN POSSIBLE - TAP DIMENSIONS SHOWN ARE MINS. LONGER THAN STANDARD LENGTHS AND/OR HIGHER SYSTEM PRESSURE MAY REQUIRE ADDITIONAL STIFFENERS PER SMACNA, CONTACT FAB-TECH FOR SPECIFIC GUIDELINES.
  - ALL DUCT FITTINGS WITH STANDARD FAB-TECH CONNECTIONS INCLUDE GASKETS AND CLAMPS OR HARDWARE AS REQUIRED FOR INSTALLATION.

DUCT JOINT / RING TYPE

- EZ** EZ CLAMP  
4"Ø-14"Ø (101.6 - 355.6)
- SC** STAINLESS CAST RING  
4"Ø-14"Ø (101.6 - 355.6)
- BI** BLACK IRON ANGLE RING  
16"Ø-120"Ø (406.4 - 3048.0)
- SS** STAINLESS ANGLE RING  
16"Ø-120"Ø (406.4 - 3048.0)

METRIC EQUIVALENTS ARE SHOWN IN PARENTHESIS & ITALICS ( MILLIMETERS OR AS NOTED )

REMARKS:

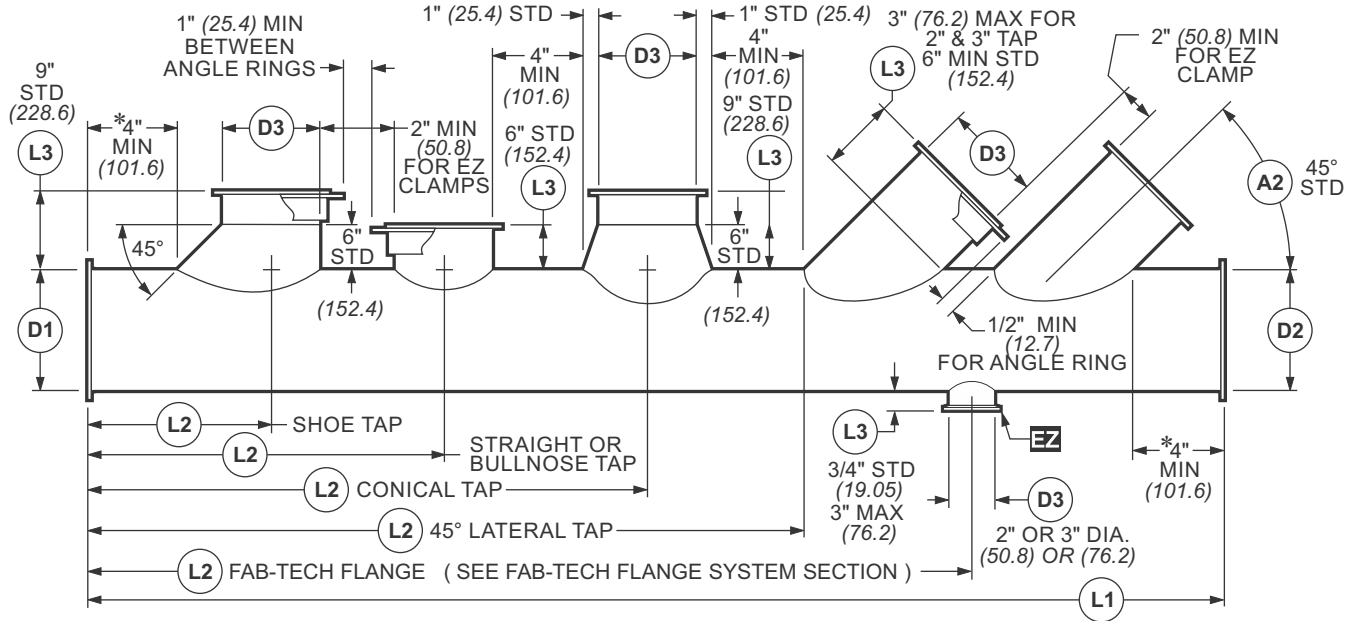


COMPANY / JOB REFERENCE:



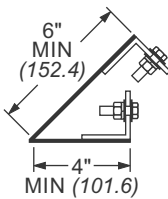
Straight Duct with Multiple Taps Spec Sheet

**\*\*L2 MIN DISTANCE**  
 "D1" = 4" (101.6) - 94" (2387.6): 4" (101.6) MIN  
 "D1" = 96" (2438.4) - 120" (3048.0): 5" (127.0) MIN

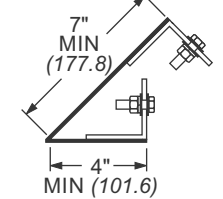


**\*STANDARD MINIMUMS FOR 45° LATERAL AND 90° STRAIGHT TAPS:**

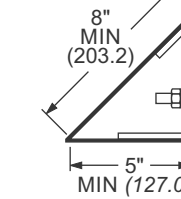
**4"-48" DUCT**  
 (101.6 - 1219.2)  
 2" X 2" RINGS  
 (50.8)



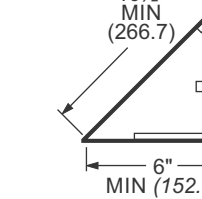
**50"-58" DUCT**  
 (1270.0 - 1473.2)  
 2-1/2" X 2-1/2" RINGS  
 (63.5)



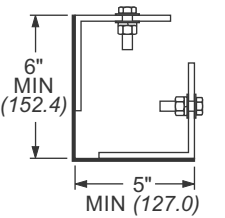
**60"-94" DUCT**  
 (1524.0 - 2286.0)  
 3" X 3" RINGS  
 (76.2)



**96"-120" DUCT**  
 (2438.4 - 3048.0)  
 4" X 4" RINGS  
 (101.6)



**96"-120" DUCT**  
 (2438.4 - 3048.0)  
 4" X 4" RINGS  
 (101.6)



**STANDARD DUCT LENGTHS ("L1")**

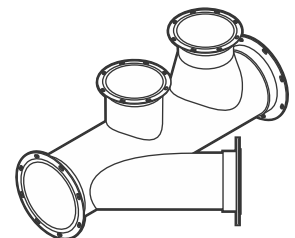
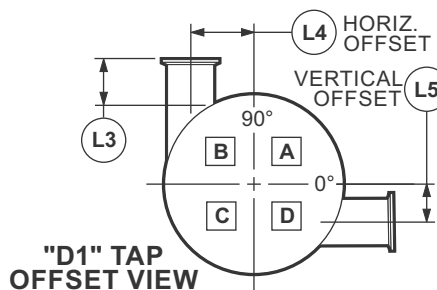
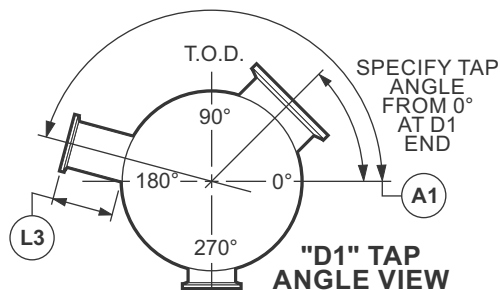
RING	DIAMETER	"L1"=4' (1219.2)	"L1"=8' (2438.4)	RING	DIAMETER	"L1"=4' (1219.2)	"L1"=8' (2438.4)
EZ/SC	4" (101.6) & 6" (152.4)	47.25" (1200.5)	NA	BI/SS	16" (406.4) TO 48" (1219.2)	47.25" (1200.5)	95.25" (2419.35)
EZ/SC	8" (203.2) TO 14" (355.6)	47.25" (1200.5)	95.25" (2419.35)	BI/SS	50" (1270) TO 120" (3048)	46.75" (1187.45)	94.75" (2406.65)

- NOTES:**
- DUCT GREATER THAN 84" DIA. (2133.6mm) REQUIRES FAB-TECH ENGINEERING REVIEW AND APPROVAL.
  - OUR RECOMMENDATION IS TO ADD TAPS TO STANDARD 4' (1219.2) AND 8' (2438.4) DUCT WHEN POSSIBLE - TAP DIMENSIONS SHOWN ARE MINS. LONGER THAN STANDARD LENGTHS AND/OR HIGHER SYSTEM PRESSURE MAY REQUIRE ADDITIONAL STIFFENERS PER SMACNA, CONTACT FAB-TECH FOR SPECIFIC GUIDELINES.
  - ALL DUCT FITTINGS WITH STANDARD FAB-TECH CONNECTIONS INCLUDE GASKETS AND CLAMPS OR HARDWARE AS REQUIRED FOR INSTALLATION.

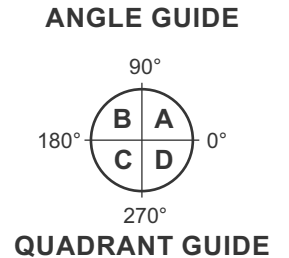
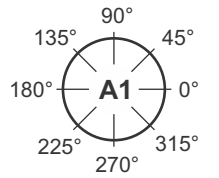
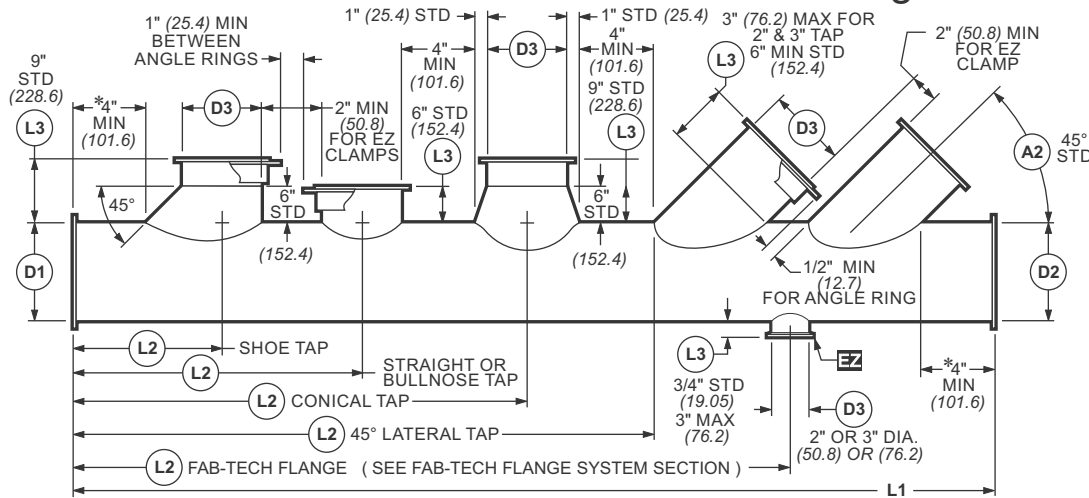
**DUCT JOINT / RING TYPE**

- EZ** EZ CLAMP  
4"Ø-14"Ø (101.6 - 355.6)
- SC** STAINLESS CAST RING  
4"Ø-14"Ø (101.6 - 355.6)
- BI** BLACK IRON ANGLE RING  
16"Ø-120"Ø (406.4 - 3048.0)
- SS** STAINLESS ANGLE RING  
16"Ø-120"Ø (406.4 - 3048.0)

**METRIC EQUIVALENTS ARE SHOWN IN PARENTHESIS & ITALICS (MILLIMETERS OR AS NOTED)**



Straight Duct with Multiple Taps



GUIDE REFERENCES FROM "D1" DUCT END

MAIN DUCT SPECIFICATIONS

FITTING NUMBER	QTY	- D1 - DUCT DIA.	-L1- DUCT LENGTH	-D1- RING TYPE	-D2- RING TYPE
----------------	-----	------------------------	------------------------	----------------------	----------------------

SEE PRECEDING PAGE FOR MULTIPLE TAP GUIDELINES

TAP SPECIFICATIONS					-A1- TAP ANGLE SEE GUIDE ABOVE
TAP TYPE	-D3- TAP DIA.	-L3- TAP LENGTH	-D3- RING TYPE	-L2- LOCATE TAP FROM D1	

1					
2					
3					
4					
5					
6					
7					

CUSTOM LATERAL AND OFFSET TAP SPECS

CUSTOM	LOCATE OFFSET TAP TAP QUADRANT A,B,C OR D	
- A2 - LATERAL ANGLE OTHER THAN 45°	-L4- HORIZ. OFFSET	-L5- VERT. OFFSET

- NOTES:**
- SEE THE STANDARDS SECTION OF THE PRODUCT CATALOG FOR INFORMATION ABOUT DUCT GAUGE, RING MECHANICAL SPECS, HARDWARE AND GASKETS.
  - OPTION:** CUSTOM LENGTH
  - OPTION:** RAW END
  - ALL DUCT FITTINGS WITH STANDARD FAB-TECH CONNECTIONS INCLUDE GASKETS AND CLAMPS OR HARDWARE AS REQUIRED FOR INSTALLATION.

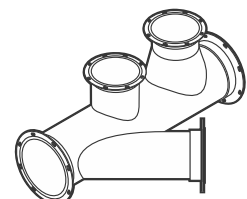
METRIC EQUIVALENTS ARE SHOWN IN PARENTHESIS & ITALICS ( MILLIMETERS OR AS NOTED )

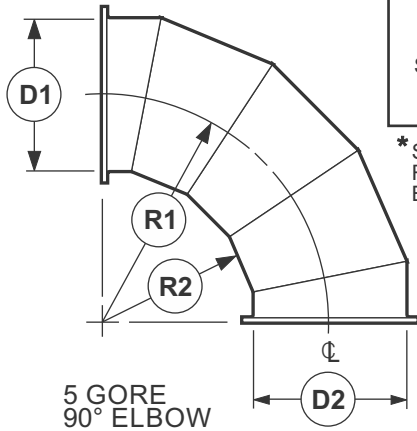
REMARKS:

COMPANY / JOB REFERENCE:

FAB-TECH, Inc. / Tel: 802-655-8800 / Fax: 802-655-8804 / www.fabtechinc.com / info@fabtechinc.com

© COPYRIGHT 2023 FAB-TECH, INC. REV: 06/06/24 RND010BG

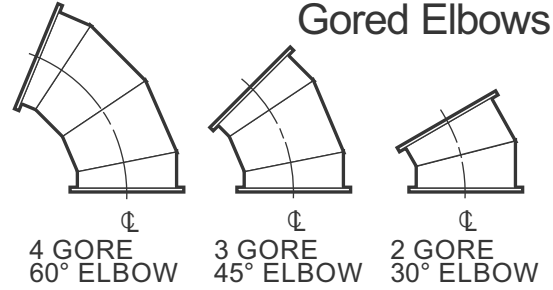




STANDARD RADIUS AT THE DUCT CENTERLINE  
 "R1" = 1.5 x "D"  
 STANDARD THROAT RADIUS  
 "R2" = "D"

\* SPECIFY EITHER CENTERLINE RADIUS OR THROAT RADIUS, BOTH NOT REQUIRED

Gored Elbows



**MANUFACTURING LIMITATIONS** DUE TO LIMITATIONS, THE FOLLOWING ELBOWS ARE NOT AVAILABLE AS ONE PIECE:

- FULL RADIUS 90° ELBOW > 56" (1422.4) DIA.
- FULL RADIUS 60° ELBOW > 82" (2082.8) DIA.
- FULL RADIUS 45° ELBOW > 106" (2692.4) DIA.
- HALF RADIUS 90° ELBOW > 76" (1930.4) DIA.

ELBOWS ABOVE THESE LIMITS WILL BE MANUFACTURED AS SMALLER FITTINGS ( AN 86" (2184.4) DIA. 90° ELBOW WILL BE SUPPLIED AS TWO 45° ELBOWS FOR EXAMPLE ) OR AS CLAM SHELL DESIGNED FITTINGS AS TWO OR MORE PIECES. THIS APPLIES TO ALL LARGE FITTINGS AS WELL AS ELBOWS.

ALSO DUE TO LIMITATIONS, MANY OF THE SMALLER 1/2 RADIUS ELBOWS WILL REQUIRE CAST OR FLAT RINGS.

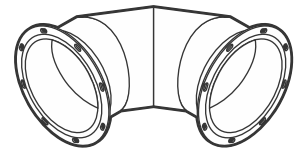
FITTING NUMBER	QTY	- D1 - DUCT DIA.	ELBOW ANGLE	*- R1 - CENTER RADIUS IN INCHES	*- R2 - THROAT RADIUS IN INCHES	-D1- RING TYPE	-D2- RING TYPE	REMARKS

- NOTES:**
- SEE THE STANDARDS SECTION OF THE PRODUCT CATALOG FOR INFORMATION ABOUT DUCT GAUGE, RING MECHANICAL SPECS, HARDWARE AND GASKETS.
  - OPTION:** CUSTOM NUMBER OF GORES
  - OPTION:** CUSTOM RADII AVAILABLE
  - ALL DUCT FITTINGS WITH STANDARD FAB-TECH CONNECTIONS INCLUDE GASKETS AND CLAMPS OR HARDWARE AS REQUIRED FOR INSTALLATION.

**METRIC EQUIVALENTS ARE SHOWN IN PARENTHESIS & ITALICS ( MILLIMETERS OR AS NOTED )**

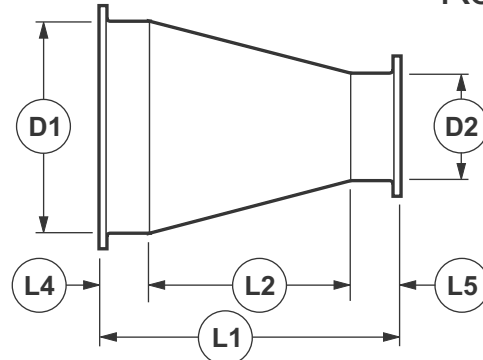
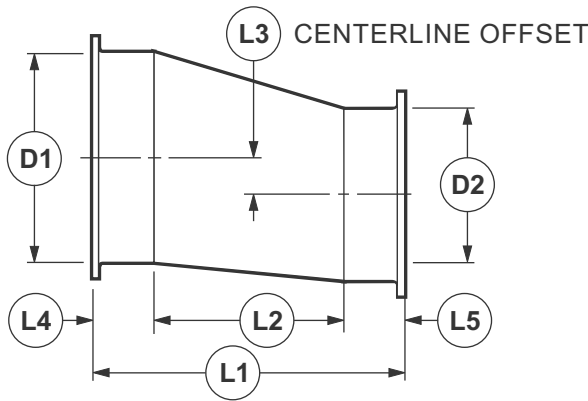
- DUCT JOINT / RING TYPE**
- EZ** EZ CLAMP  
4"Ø-14"Ø (101.6 - 355.6)
  - SC** STAINLESS CAST RING  
4"Ø-14"Ø (101.6 - 355.6)
  - BI** BLACK IRON ANGLE RING  
16"Ø-120"Ø (406.4 - 3048.0)
  - SS** STAINLESS ANGLE RING  
16"Ø-120"Ø (406.4 - 3048.0)

REMARKS:



COMPANY / JOB REFERENCE:

Reducers



Formula to calculate the minimum\* length for reducers:  
**"L1" = "L2"+"L4"+"L5"**  
 Use the charts below to determine the minimum length of "L2", "L4" and "L5":  
 (\* Minimum length calculated to maintain minimal angular change, shorter taper lengths available.)

FITTING NUMBER	QTY	- D1 - DUCT DIA.	- D2 - DUCT DIA.	- L1 - DUCT LENGTH	- L2 - TAPER LENGTH	- L3 - CENTER OFFSET	-D1- RING TYPE	-D2- RING TYPE	REMARKS

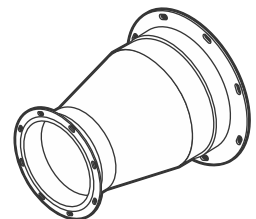
ECCENTRIC		CONCENTRIC		MIN "L4" / "L5"	
AMOUNT OF REDUCTION "D1" minus "D2"	MINIMUM "L2"	AMOUNT OF REDUCTION "D1" minus "D2"	MINIMUM "L2"	DUCT DIAMETER "D1" or "D2"	MINIMUM "L4" or "L5"
<b>6" (152.4) AND LESS</b>	12" (304.8)	<b>9" (228.6) AND LESS</b>	12" (304.8)	<b>4" (101.6) TO 58" (1473.2)</b>	3" (76.2)
<b>7" (177.8) TO 9" (228.6)</b>	18" (457.2)	<b>10" (254.0) TO 14" (355.6)</b>	18" (457.2)	<b>60" (1524.0) TO 94" (2387.6)</b>	4" (101.6)
<b>10" (254.0) TO 13" (330.2)</b>	24" (609.6)	<b>15" (381.0) TO 19" (482.6)</b>	24" (609.6)	<b>96" (2438.4) TO 120" (3048.0)</b>	5" (127.0)
<b>14" (355.6) TO 17" (431.8)</b>	30" (762.0)	<b>20" (508.0) TO 24" (609.6)</b>	30" (762.0)		

- NOTES:**
- SEE THE STANDARDS SECTION OF THE PRODUCT CATALOG FOR INFORMATION ABOUT DUCT GAUGE, RING MECHANICAL SPECS, HARDWARE AND GASKETS.
  - OPTION:** CUSTOM LENGTHS AVAILABLE.
  - DUCT GREATER THAN 84" DIA. (2133.6mm) REQUIRES FAB-TECH ENGINEERING REVIEW AND APPROVAL.
  - ALL DUCT FITTINGS WITH STANDARD FAB-TECH CONNECTIONS INCLUDE GASKETS AND CLAMPS OR HARDWARE AS REQUIRED FOR INSTALLATION.

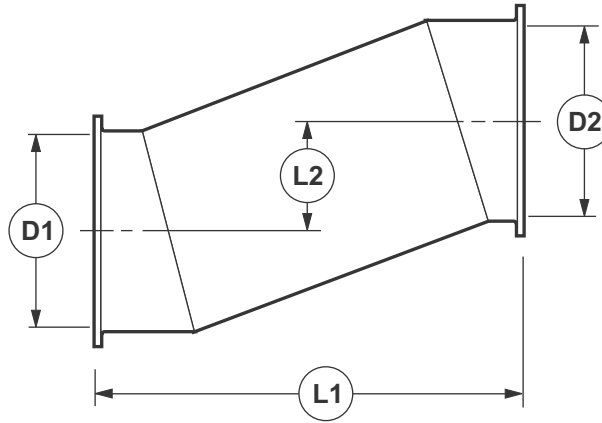
**METRIC EQUIVALENTS ARE SHOWN IN PARENTHESIS & ITALICS ( MILLIMETERS OR AS NOTED )**

- DUCT JOINT / RING TYPE**
- EZ** EZ CLAMP  
4"Ø-14"Ø (101.6 - 355.6)
  - SC** STAINLESS CAST RING  
4"Ø-14"Ø (101.6 - 355.6)
  - BI** BLACK IRON ANGLE RING  
16"Ø-120"Ø (406.4 - 3048.0)
  - SS** STAINLESS ANGLE RING  
16"Ø-120"Ø (406.4 - 3048.0)

REMARKS:



COMPANY / JOB REFERENCE:



FITTING NUMBER	QTY	- D1 - DUCT DIA.	-L1- DUCT LENGTH	-L2- OFFSET LENGTH	-D1- RING TYPE	-D2- RING TYPE	REMARKS

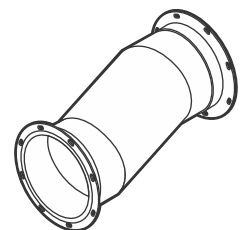
**NOTES:** 1. SEE THE STANDARDS SECTION OF THE PRODUCT CATALOG FOR INFORMATION ABOUT DUCT GAUGE, RING MECHANICAL SPECS, HARDWARE AND GASKETS.  
 2. DUCT GREATER THAN 84" DIA. (2133.6mm) REQUIRES FAB-TECH ENGINEERING REVIEW AND APPROVAL.  
 3. ALL DUCT FITTINGS WITH STANDARD FAB-TECH CONNECTIONS INCLUDE GASKETS AND CLAMPS OR HARDWARE AS REQUIRED FOR INSTALLATION.

**METRIC EQUIVALENTS ARE SHOWN IN PARENTHESIS & ITALICS ( MILLIMETERS OR AS NOTED )**

REMARKS:

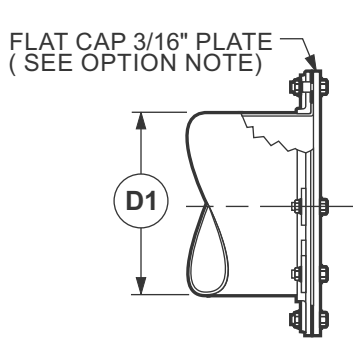
**DUCT JOINT / RING TYPE**

- EZ** EZ CLAMP  
4"Ø-14"Ø (101.6 - 355.6)
- SC** STAINLESS CAST RING  
4"Ø-14"Ø (101.6 - 355.6)
- BI** BLACK IRON ANGLE RING  
16"Ø-120"Ø (406.4 - 3048.0)
- SS** STAINLESS ANGLE RING  
16"Ø-120"Ø (406.4 - 3048.0)

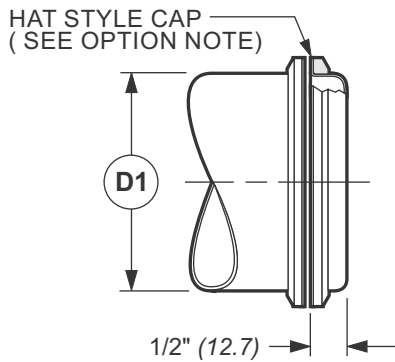


COMPANY / JOB REFERENCE:

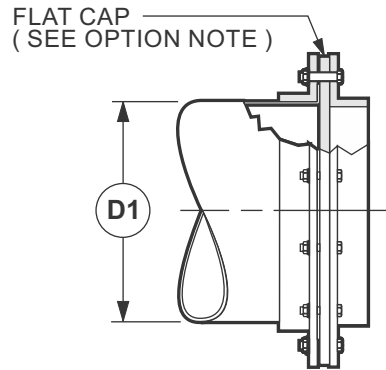
End Caps



4" (101.6) - 14" (355.6)  
FLAT CAP  
CONFIGURATION



4" (101.6) - 14" (355.6)  
PSP-EZ™  
CONFIGURATION



16" (406.4) - 120" (3048.0) BI/SS  
ANGLE RING CONFIGURATION WITH  
ADDED SUPPORT ANGLE RING

FITTING NUMBER	QTY	- D1 - DUCT DIA.	-D1- RING TYPE	CAP MAT'L UP TO 12" DIA	REMARKS
				<input type="radio"/> STEEL <input type="radio"/> POLY	
				<input type="radio"/> STEEL <input type="radio"/> POLY	
				<input type="radio"/> STEEL <input type="radio"/> POLY	
				<input type="radio"/> STEEL <input type="radio"/> POLY	
				<input type="radio"/> STEEL <input type="radio"/> POLY	
				<input type="radio"/> STEEL <input type="radio"/> POLY	
				<input type="radio"/> STEEL <input type="radio"/> POLY	

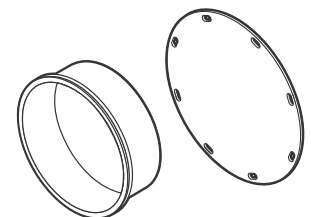
- NOTES:**
- SEE THE STANDARDS SECTION OF THE PRODUCT CATALOG FOR INFORMATION ABOUT DUCT GAUGE, RING MECHANICAL SPECS, HARDWARE AND GASKETS.
  - OPTION:** CLEAR POLYCARBONATE VIEWPORT ENDCAPS AVAILABLE UP TO 12" (304.8) DIA. - LARGER SIZES AVAILABLE WITH FAB-TECH ENGINEERING REVIEW AND APPROVAL.
  - TRANSVERSE STIFFENERS REQUIRED FOR END CAPS OVER 36" DIA. (914.4mm).
  - ALL DUCT FITTINGS WITH STANDARD FAB-TECH CONNECTIONS INCLUDE GASKETS AND CLAMPS OR HARDWARE AS REQUIRED FOR INSTALLATION.

**METRIC EQUIVALENTS ARE SHOWN IN PARENTHESIS & ITALICS ( MILLIMETERS OR AS NOTED )**

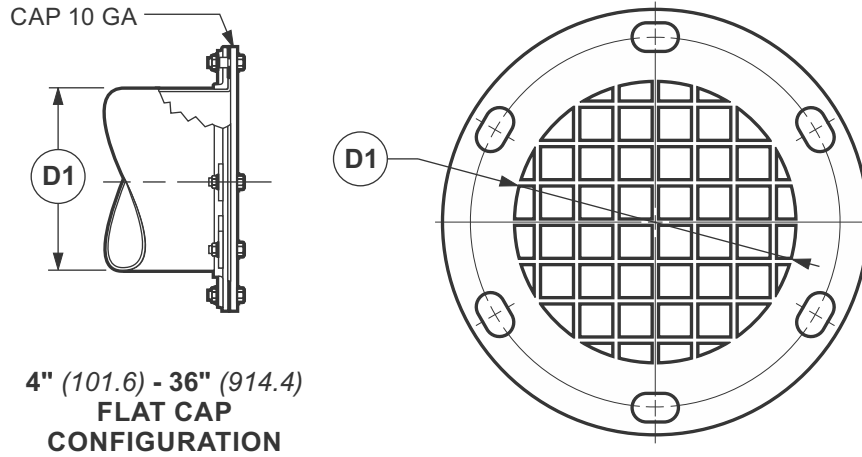
REMARKS:

**DUCT JOINT / RING TYPE**

- EZ** EZ CLAMP  
4"Ø-14"Ø (101.6 - 355.6)
- SC** STAINLESS CAST RING  
4"Ø-14"Ø (101.6 - 355.6)
- BI** BLACK IRON ANGLE RING  
16"Ø-120"Ø (406.4 - 3048.0)
- SS** STAINLESS ANGLE RING  
16"Ø-120"Ø (406.4 - 3048.0)



COMPANY / JOB REFERENCE:



FITTING NUMBER	QTY	- D1 - DUCT DIA.	REMARKS

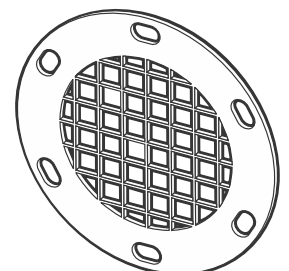
**NOTES:** 1. SEE THE STANDARDS SECTION OF THE PRODUCT CATALOG FOR INFORMATION ABOUT DUCT GAUGE, RING MECHANICAL SPECS, HARDWARE AND GASKETS.  
 2. ALL DUCT FITTINGS WITH STANDARD FAB-TECH CONNECTIONS INCLUDE GASKETS AND CLAMPS OR HARDWARE AS REQUIRED FOR INSTALLATION.

- DUCT JOINT / RING TYPE**
- SC** STAINLESS CAST RING  
4"Ø-14"Ø (101.6 - 355.6)
  - BI** BLACK IRON ANGLE RING  
16"Ø-120"Ø (406.4 - 3048.0)
  - SS** STAINLESS ANGLE RING  
16"Ø-120"Ø (406.4 - 3048.0)

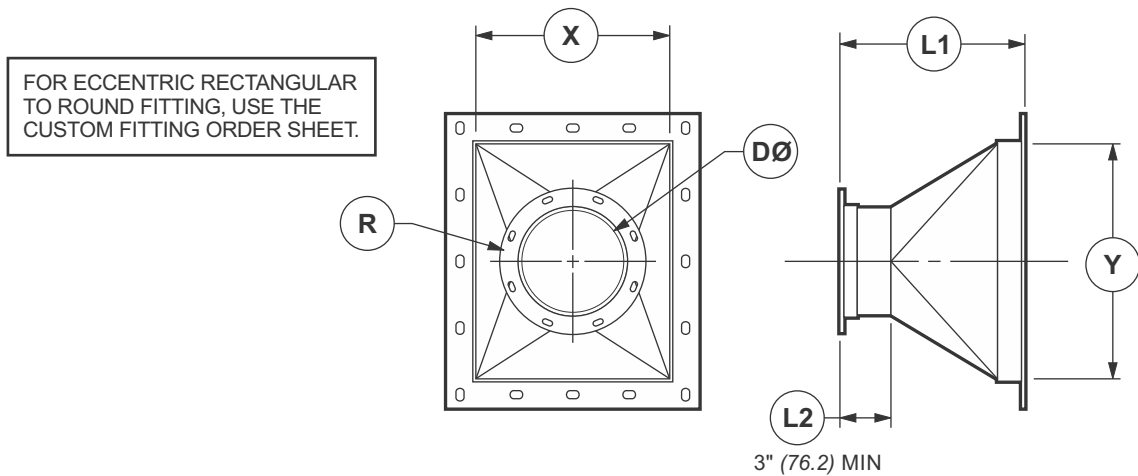
**METRIC EQUIVALENTS ARE SHOWN IN PARENTHESIS & ITALICS ( MILLIMETERS OR AS NOTED )**

REMARKS:

COMPANY / JOB REFERENCE:



Concentric Round to Rectangular Transition



FOR ECCENTRIC RECTANGULAR TO ROUND FITTING, USE THE CUSTOM FITTING ORDER SHEET.

FITTING NUMBER	QTY	-X- DUCT WIDTH	-Y- DUCT HEIGHT	-L1- DUCT LENGTH	-DØ- ROUND DIAMETER	-R- RING TYPE	-L2- THROAT LENGTH	REMARKS

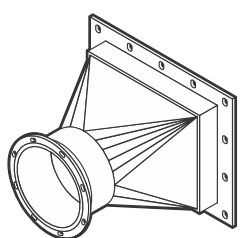
- NOTES:**
- SEE THE STANDARDS SECTION OF THE PRODUCT CATALOG FOR INFORMATION ABOUT DUCT GAUGE, RING MECHANICAL SPECS, HARDWARE AND GASKETS.
  - OPTION:** RAW END AVAILABLE
  - DUCT WIDTH OR HEIGHT OF 98" (2489.2mm) AND LARGER REQUIRES FAB-TECH ENGINEERING REVIEW AND APPROVAL.
  - FOR DUCT WIDTH OR HEIGHT OF 50" (1270.0mm) OR GREATER - A CENTER STIFFENER (1" SCH40 PIPE) IS ADDED AT THE MIDPOINT OF THE RECTANGULAR FLANGE .
  - ALL DUCT FITTINGS WITH STANDARD FAB-TECH CONNECTIONS INCLUDE GASKETS AND CLAMPS OR HARDWARE AS REQUIRED FOR INSTALLATION.

- DUCT JOINT / RING TYPE**
- EZ** EZ CLAMP  
4"Ø-14"Ø (101.6 - 355.6)
  - SC** STAINLESS CAST RING  
4"Ø-14"Ø (101.6 - 355.6)
  - BI** BLACK IRON ANGLE RING  
16"Ø-120"Ø (406.4 - 3048.0)
  - SS** STAINLESS ANGLE RING  
16"Ø-120"Ø (406.4 - 3048.0)

**METRIC EQUIVALENTS ARE SHOWN IN PARENTHESIS & ITALICS ( MILLIMETERS OR AS NOTED )**

REMARKS:

COMPANY / JOB REFERENCE:







**DAMPER SIZE:** \_\_\_\_\_

**ACTUATOR TYPE:** \_\_\_\_\_

Pneumatic Available Air Pressure \_\_\_\_\_

Electric Voltage \_\_\_\_\_

Spring Return  Fail Open  
 Fail Closed

Double Acting

Limit Switch  1 Switch  
 2 Switch

Feedback Potentiometer  
 Positioner \_\_\_\_\_  
 Position Indicator  
 Manual Override Gearbox  
 Solenoid Valves

RECOMMENDED MINIMUM OPEN/CLOSE TORQUE	
inch pounds (newton meter)	
<b>ISOLATION DAMPER</b>	
SIZE	TORQUE
Ø4" (101.6) - Ø14" (355.6)	250 (28.25Nm)
Ø16" (406.4) - Ø48" (1219.2)	1000 (112.98Nm)
Ø50" (1270.0) AND LARGER	1600 (180.78Nm)
<b>RECTANGULAR DAMPER</b>	
LONGEST SIDE UP TO 48" (1219.2)	1000 (112.98Nm)

**CUSTOMER SELECTED:**

Preferred Actuator - Make and Model Number:

\_\_\_\_\_

Accessory Part Number:

\_\_\_\_\_

**NOTES:** 1. ALL DUCT FITTINGS WITH STANDARD FAB-TECH CONNECTIONS INCLUDE GASKETS AND CLAMPS OR HARDWARE AS REQUIRED FOR INSTALLATION.

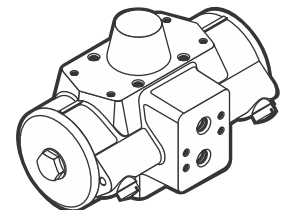
**METRIC EQUIVALENTS ARE SHOWN IN PARENTHESIS & ITALICS ( MILLIMETERS OR AS NOTED )**

REMARKS:

\_\_\_\_\_

COMPANY / JOB REFERENCE:

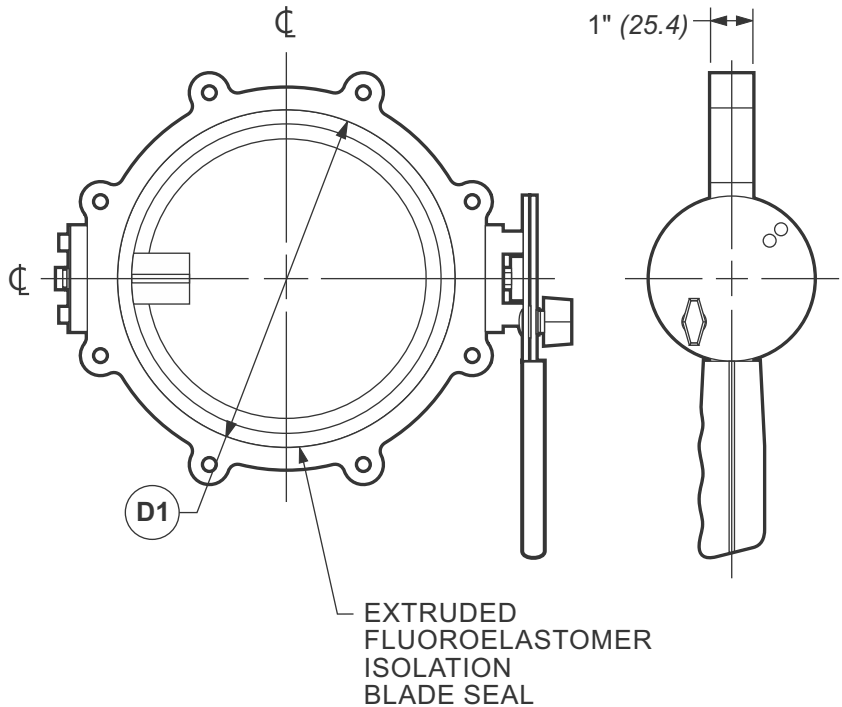
\_\_\_\_\_



**4" (101.6) - 14" (355.6) Wafer Isolation Damper**

**SPECIFICATIONS**

**BODY:** COATED SOLID ALUMINUM BODY  
**BODY LENGTH:** 1" (25.4)  
**COATING:** PERMASHIELD FLUOROPOLYMER BARRIER COATING  
**BLADE:** COATED 10GA (3.57) SS WITH FULLY WELDED DRIVE AXLE  
**4"Ø BLADE:** MACHINED PTFE  
**EDGE SEALS:** VITON EXTRUDED RUBBER  
**BLADE HOLDERS:** MOLDED 25% GLASS FILLED PTFE  
**AXLE:** DUAL SHAFT 1/2"Ø (12.7) SS  
**AXLE SEALS:** LIQUID TIGHT - POS & NEG SYSTEM PRESSURE  
**BEARINGS:** NYLON  
**COATING:** FLUOROPOLYMER BARRIER COATING  
**QUADRANT:** MANUAL LOCKING HANDLE  
**LOCKOUT:** 1/2° INTERVALS  
**BLADE OPENS:** CCW  
**OPEN/CLOSE TORQUE:** 250 in-lb (28.2 N-m) RECOMMENDED MIN



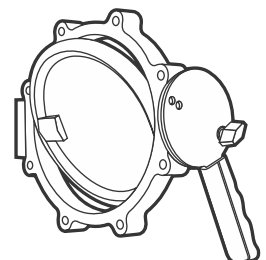
FITTING NUMBER	QTY	- D1 - DUCT DIA.	REMARKS

- NOTES:** 1. SEE THE ANGLE RING MECHANICAL SPECIFICATION CHART IN THE PRODUCT CATALOG FOR BOLT CIRCLE DIA., BOLT HOLE SIZE AND NUMBER OF BOLT HOLES.  
 2. ALL DUCT FITTINGS WITH STANDARD FAB-TECH CONNECTIONS INCLUDE GASKETS AND CLAMPS OR HARDWARE AS REQUIRED FOR INSTALLATION.

**METRIC EQUIVALENTS ARE SHOWN IN PARENTHESIS & ITALICS ( MILLIMETERS OR AS NOTED )**

**REMARKS:**

**COMPANY / JOB REFERENCE:**



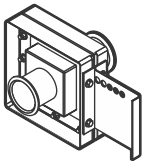
2" (50.8) & 3" (76.2) EZ Damper & EZ Blastgate

DAMPER



FITTING NUMBER	PART NUMBER	QTY	DESCRIPTION
	<b>PZD02</b>		2" (50.8) DIA ISOLATION EZ-DAMPER
	<b>PZD03</b>		3" (76.2) DIA ISOLATION EZ-DAMPER

BLASTGATE



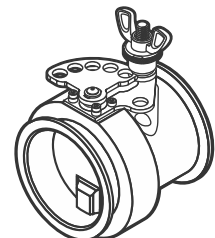
FITTING NUMBER	PART NUMBER	QTY	DESCRIPTION
	<b>PZB02</b>		2" (50.8) DIA HORIZONTAL EZ-BLASTGATE
	<b>PZB03</b>		3" (76.2) DIA HORIZONTAL EZ-BLASTGATE
	<b>PZB02V</b>		2" (50.8) DIA VERTICAL EZ-BLASTGATE
	<b>PZB03V</b>		3" (76.2) DIA VERTICAL EZ-BLASTGATE

- NOTES:** 1. SEE THE PRODUCT CATALOG FOR SPECIFIC DETAILS AND DIMENSIONS.  
 2. ALL DUCT FITTINGS WITH STANDARD FAB-TECH CONNECTIONS INCLUDE GASKETS AND CLAMPS OR HARDWARE AS REQUIRED FOR INSTALLATION.

**METRIC EQUIVALENTS ARE SHOWN IN PARENTHESIS & ITALICS ( MILLIMETERS OR AS NOTED )**

REMARKS:

COMPANY / JOB REFERENCE:







6" (152.4) - 14" (355.6) AMCA Industrial Isolation Damper

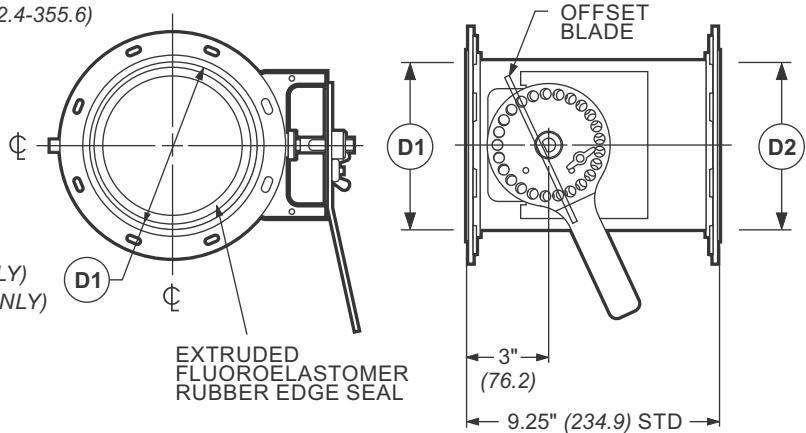
**SPECIFICATIONS**

- BODY:** COATED 20GA (0.95) SS
- BODY LENGTH:** 9-1/4" (234.9)
- OPTION:** CUSTOM LENGTH
- COATING:** PERMASHIELD FLUOROPOLYMER BARRIER COATING
- JOINING SYSTEM:** FLOATING CAST STAINLESS STEEL RINGS
- OPTION:** PSP-EZ™ JOINING SYSTEM 6"-14" (152.4-355.6)
- OPTION:** CUSTOM HOLE PATTERN
- BLADE:** OFFSET - 10GA (3.57) COATED STAINLESS STEEL
- BLADE EDGE SEAL:** VITON
- BLADE HOLDERS:** MOLDED PTFE
- AXLES:** DUAL SHAFT 1/2"Ø (12.7) SS
- AXLE SEALS:** LIQUID TIGHT
- ACTUATOR:** MANUAL LEVER
- OPTION:** ELECTRIC ACTUATOR (SS RINGS ONLY)
- OPTION:** PNEUMATIC ACTUATOR (SS RINGS ONLY)
- LOCKOUT:** 1/2° INTERVALS
- BLADE OPENS:** CCW



Fab-Tech, Inc. certifies that the Industrial Single Blade Isolation Damper shown herein is licensed to bear the AMCA Seal. The ratings shown are based on tests and procedures performed in accordance with AMCA Publication 511 and comply with the requirements of the AMCA Certified Ratings Program.

The AMCA Certified Ratings Seal applies to Air Leakage ratings and Air Performance ratings.

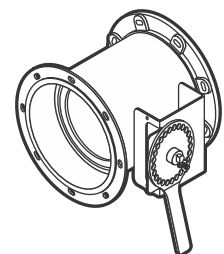


FITTING NUMBER	QTY	- D1 - DUCT DIA.	- D1 - RING TYPE	- D2 - RING TYPE	REMARKS
					AMCA
					AMCA
					AMCA
					AMCA
					AMCA
					AMCA
					AMCA
					AMCA

**NOTES:** 1. ALL DUCT FITTINGS WITH STANDARD FAB-TECH CONNECTIONS INCLUDE GASKETS AND CLAMPS OR HARDWARE AS REQUIRED FOR INSTALLATION.

**METRIC EQUIVALENTS ARE SHOWN IN PARENTHESIS & ITALICS ( MILLIMETERS OR AS NOTED )**

REMARKS:



COMPANY / JOB REFERENCE:

**16" (406.4) - 34" (863.6) AMCA High Value Heavy Duty Industrial Damper (HVD)**

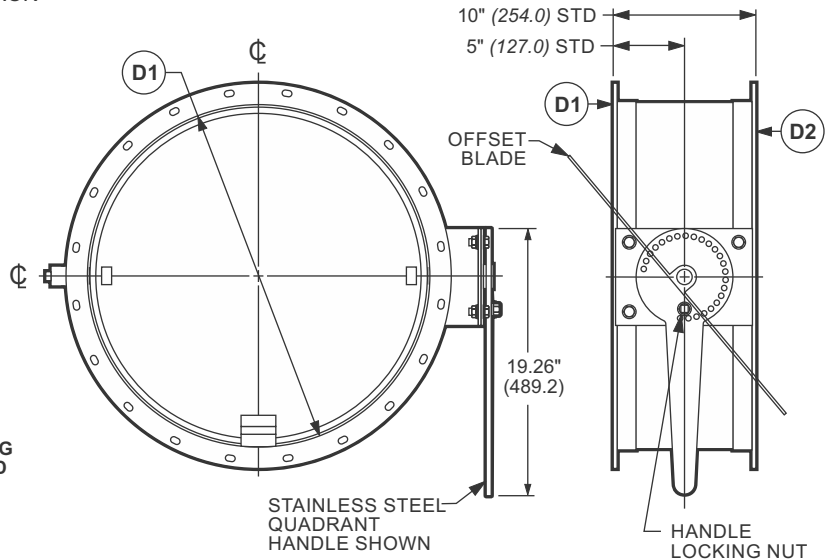
**SPECIFICATIONS**

**DIFFERENTIAL PRESSURE:** 10" WG (2.488 kPa)  
**BODY:** COATED 12GA (2.78) SS  
**BODY LENGTH:** 10" (254.0)  
**COATING:** PERMASHIELD FLUOROPOLYMER BARRIER COATING  
**JOINING SYSTEM:** STITCH WELDED COATED BLACK IRON VAN STONE RINGS  
**OPTION:** CUSTOM HOLE PATTERN  
**MOUNTING HOLES:** STRADDLE VERTICAL CENTERLINE  
**BLADE:** OFFSET - 1/4" (6.35) COATED SS  
**BLADE EDGE SEAL:** VITON  
**BLADE STOPS:** WELDED  
**AXLES:** DUAL SHAFT 1.38Ø (34.9) SS  
**AXLE SEALS:** LIQUID TIGHT  
**SLEEVE BEARINGS:** THERMOPLASTIC  
**ACTUATOR:** MANUAL LEVER  
**OPTION:** MANUAL GEAR BOX W/ LOCK OUT  
**OPTION:** CUSTOM ACTUATOR MOUNTING KIT  
**OPTION:** ELECTRIC ACTUATOR  
**OPTION:** PNEUMATIC ACTUATOR  
**LOCKOUT:** 1/2° INTERVALS  
**BLADE OPENS:** CCW



Fab-Tech, Inc. certifies that the Industrial Single Blade Isolation Damper shown herein is licensed to bear the AMCA Seal. The ratings shown are based on tests and procedures performed in accordance with AMCA Publication 511 and comply with the requirements of the AMCA Certified Ratings Program.

The AMCA Certified Ratings Seal applies to Air Leakage ratings and Air Performance ratings.

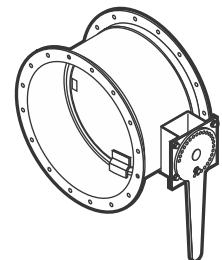


FITTING NUMBER	QTY	- D1 - DUCT DIA.	- D1 - RING TYPE	- D2 - RING TYPE	REMARKS
					AMCA
					AMCA
					AMCA
					AMCA
					AMCA
					AMCA
					AMCA

**NOTES:** 1. ALL DUCT FITTINGS WITH STANDARD FAB-TECH CONNECTIONS INCLUDE GASKETS AND CLAMPS OR HARDWARE AS REQUIRED FOR INSTALLATION.

**METRIC EQUIVALENTS ARE SHOWN IN PARENTHESIS & ITALICS ( MILLIMETERS OR AS NOTED )**

**REMARKS:**



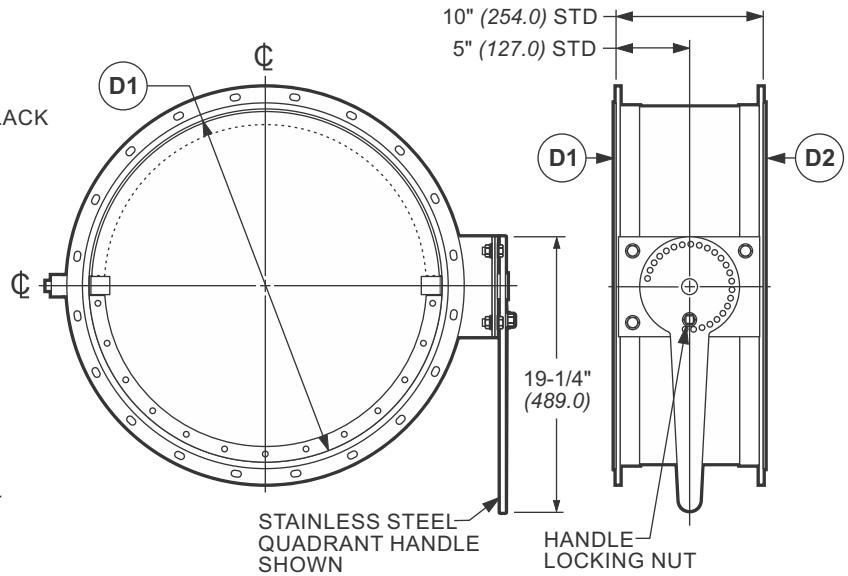
**COMPANY / JOB REFERENCE:**



**16" (406.4) - 48" (1219.2) High Value Heavy Duty Industrial Damper (HVD)**

**SPECIFICATIONS**

- DIFFERENTIAL PRESSURE:** 10" WG (2,488 Pa)
- BODY:** COATED 12GA (2.78) SS
- BODY LENGTH:** 10" (254.0)
- COATING:** PERMASHIELD FLUOROPOLYMER BARRIER COATING
- JOINING SYSTEM:** STITCH WELDED COATED BLACK IRON VAN STONE RINGS
- OPTION:** CUSTOM HOLE PATTERN
- OPTION:** STITCH WELDED STAINLESS STEEL VAN STONE RINGS
- MOUNTING HOLES:** STRADDLE VERTICAL CENTERLINE
- BLADE:** 1/4" (6.35) COATED SS
- BLADE EDGE SEAL:** VITON
- BLADE STOPS:** WELDED
- AXLES:** DUAL SHAFT 1.38Ø (34.9) SS
- AXLE SEALS:** LIQUID TIGHT
- SLEEVE BEARINGS:** THERMOPLASTIC
- ACTUATOR:** MANUAL LEVER
- OPTION:** MANUAL GEAR BOX W/ LOCK OUT
- OPTION:** CUSTOM ACTUATOR MOUNTING KIT
- OPTION:** ELECTRIC ACTUATOR
- OPTION:** PNEUMATIC ACTUATOR
- LOCKOUT:** 1/2° INTERVALS
- BLADE OPENS:** CCW
- OPEN/CLOSE TORQUE:** 1000 in-lb (113.0 N-m) RECOMMENDED MIN

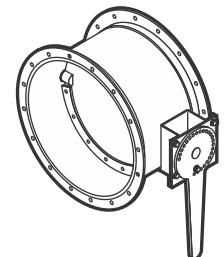


FITTING NUMBER	QTY	- D1 - DUCT DIA.	- D1 - RING TYPE	- D2 - RING TYPE	INDICATE CUSTOM RING IF REQUIRED D1 OR D2	REMARKS
						HVHD
						HVHD
						HVHD
						HVHD
						HVHD
						HVHD
						HVHD

**NOTES:** 1. ALL DUCT FITTINGS WITH STANDARD FAB-TECH CONNECTIONS INCLUDE GASKETS AND CLAMPS OR HARDWARE AS REQUIRED FOR INSTALLATION.

**METRIC EQUIVALENTS ARE SHOWN IN PARENTHESIS & ITALICS ( MILLIMETERS OR AS NOTED )**

**REMARKS:**



**COMPANY / JOB REFERENCE:**

36" (914.4) - 48" (1219.2) AMCA High Value Heavy Duty Industrial Damper (HVD)

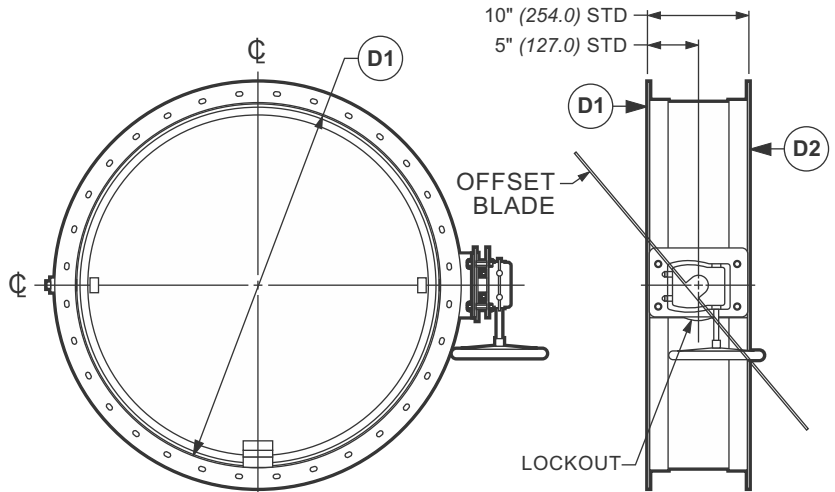
**SPECIFICATIONS**

- DIFFERENTIAL PRESSURE:** 10" WG (2,488 Pa)
- BODY:** COATED 12GA (2.78) SS
- BODY LENGTH:** 10" (254.0)
- COATING:** PERMASHIELD FLUOROPOLYMER BARRIER COATING
- JOINING SYSTEM:** STITCH WELDED COATED BLACK IRON VAN STONE RINGS
- OPTION:** CUSTOM HOLE PATTERN
- MOUNTING HOLES:** STRADDLE VERTICAL CENTERLINE
- BLADE:** OFFSET - 1/4" (6.35) COATED SS
- BLADE EDGE SEAL:** VITON
- BLADE STOPS:** WELDED
- AXLES:** DUAL SHAFT 1.38Ø (34.9) SS
- AXLE SEALS:** LIQUID TIGHT
- SLEEVE BEARINGS:** THERMOPLASTIC
- ACTUATOR:** MANUAL GEAR BOX W/ LOCK OUT
- OPTION:** CUSTOM ACTUATOR MOUNTING KIT
- OPTION:** ELECTRIC ACTUATOR
- OPTION:** PNEUMATIC ACTUATOR
- LOCKOUT:** 1/2° INTERVALS
- BLADE OPENS:** CCW



Fab-Tech, Inc. certifies that the Industrial Single Blade Isolation Damper shown herein is licensed to bear the AMCA Seal. The ratings shown are based on tests and procedures performed in accordance with AMCA Publication 511 and comply with the requirements of the AMCA Certified Ratings Program.

The AMCA Certified Ratings Seal applies to Air Leakage ratings and Air Performance ratings.



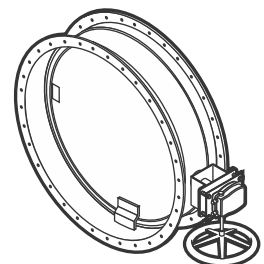
FITTING NUMBER	QTY	- D1 - DUCT DIA.	INDICATE CUSTOM RING IF REQUIRED D1 OR D2	REMARKS
				AMCA
				AMCA
				AMCA
				AMCA
				AMCA
				AMCA
				AMCA

**NOTES:** 1. ALL DUCT FITTINGS WITH STANDARD FAB-TECH CONNECTIONS INCLUDE GASKETS AND CLAMPS OR HARDWARE AS REQUIRED FOR INSTALLATION.

**METRIC EQUIVALENTS ARE SHOWN IN PARENTHESIS & ITALICS ( MILLIMETERS OR AS NOTED )**

REMARKS:

COMPANY / JOB REFERENCE:

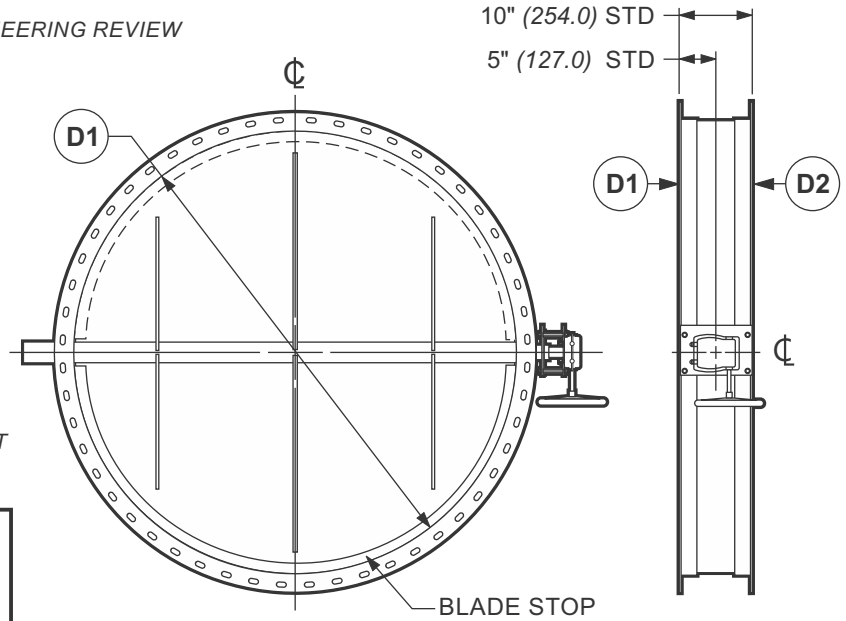


50" (1270.0) & Larger Reinforced Heavy Duty Industrial Damper

**SPECIFICATIONS**

- DIFFERENTIAL PRESSURE:** 10" WG (2,488 Pa)
- BODY:** COATED 1/4" (6.35) SS
- OPTION:** AVAIL TO 120" (3048.0) DIA W/ ENGINEERING REVIEW
- BODY LENGTH:** 10" (254.0)
- COATING:** PERMASHIELD FLUOROPOLYMER BARRIER COATING
- JOINING SYSTEM:** STICH WELDED STAINLESS STEEL VAN STONE RINGS
- OPTION:** CUSTOM HOLE PATTERN
- MOUNTING HOLES:** STRADDLE VERTICLE CENTERLINE
- BLADE:** 3/8" (9.5) COATED REINFORCED STAINLESS STEEL
- BLADE STOPS:** WELDED
- AXLES:** DUAL SHAFT 1.85Ø (47.0) SS
- AXLE SEALS:** LIQUID TIGHT
- SLEEVE BEARINGS:** THERMOPLASTIC
- ACTUATOR:** GEAR ACTUATOR W/ LOCK OUT
- OPTION:** CUSTOM ACTUATOR MOUNTING KIT
- OPTION:** ELECTRIC ACTUATOR
- OPTION:** PNEUMATIC ACTUATOR

**PNEUMATIC ACTUATED DAMPERS  
HYTORK ACTUATOR STANDARD**  
 XL45 - UP TO 20" (508.0)  
 XL280 - 21" (533.4) TO 48" (1219.2)  
 XL425 - 49" (1244.6) TO 94" (2387.6)



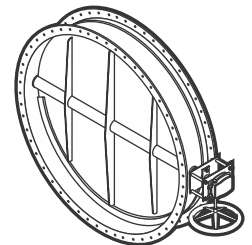
- LOCKOUT:** 1/2° INTERVALS
- BLADE OPENS:** CCW
- OPEN/CLOSE TORQUE:** 1600 in-lb (180.8 N-m) RECOMMENDED MIN

FITTING NUMBER	QTY	- D1 - DUCT DIA.	INDICATE CUSTOM RING IF REQUIRED D1 OR D2	REMARKS

**NOTES:** 1. ALL DUCT FITTINGS WITH STANDARD FAB-TECH CONNECTIONS INCLUDE GASKETS AND CLAMPS OR HARDWARE AS REQUIRED FOR INSTALLATION.

**METRIC EQUIVALENTS ARE SHOWN IN PARENTHESIS & ITALICS ( MILLIMETERS OR AS NOTED )**

**REMARKS:**

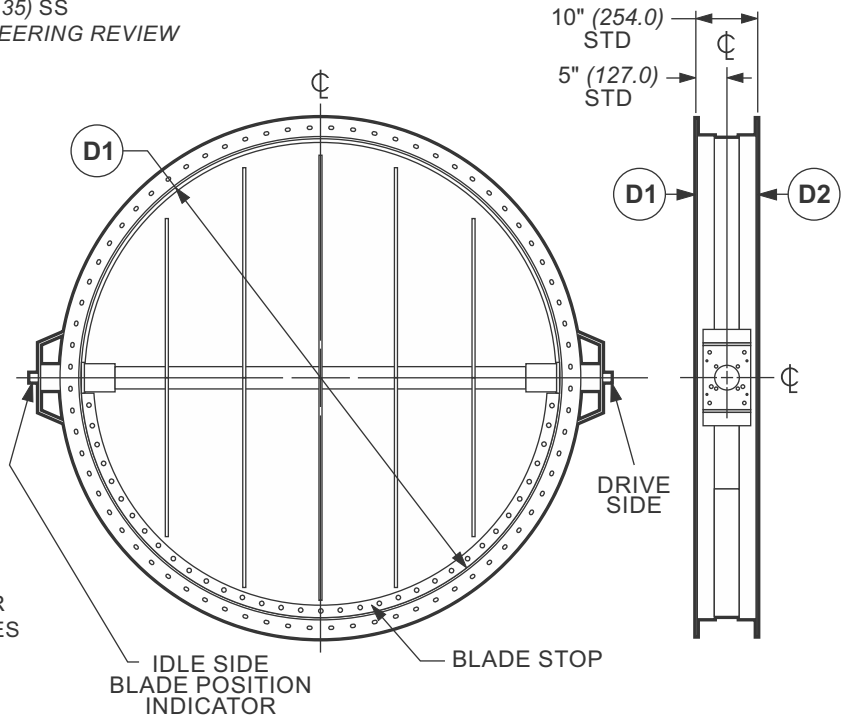


**COMPANY / JOB REFERENCE:**

16" (406.4) - 84" (2133.6) Ultra Series Industrial Damper

**SPECIFICATIONS**

- DIFFERENTIAL PRESSURE:** 30" WG (7,473 Pa)
- BODY:** COATED 16"-44" (406.4 -1117.6) DIA. 10GA (3.57) SS  
 COATED 46"-84" (1168.4-2133.6) DIA. 1/4" (6.35) SS  
**OPTION:** AVAIL TO 120" (3048.0) DIA W/ ENGINEERING REVIEW
- BODY LENGTH:** 10" (254.0)
- COATING:** PERMASHIELD FLUOROPOLYMER BARRIER COATING
- JOINING SYSTEM:** FULLY WELDED STAINLESS STEEL VAN STONE RINGS  
**OPTION:** CUSTOM HOLE PATTERN
- MOUNTING HOLES:** STRADDLE VERTICAL CENTERLINE
- BLADE:** COATED REINFORCED  
 16"-58" (406.4 -1473.2) )DIA. 1/4" (6.35) SS  
 60"-84" (1524.0-2133.6) DIA. 3/8" (9.5) SS
- BLADE STOPS:** WELDED
- AXLES:** 16"-44" (406.4 -1117.6) DIA.  
 DUAL SHAFT 1.20Ø (30.5) SS  
 46"-58" (1168.4-1473.2) DIA.  
 DUAL SHAFT 1.85Ø (47.0) SS  
 60" (1524.0) DIA. & UP  
 DUAL SHAFT 2.45Ø (62.2) SS
- AXLE SEALS:** LIQUID TIGHT
- SLEEVE BEARINGS:** BRONZE SLEEVE (16"-58")  
 SPHERICAL HEIM (60"-84")
- ACTUATOR:** NONE; STANDARD INTERFACE FOR ROTORK HIGH SPEED SI-1-Q SERIES  
**OPTION:** CUSTOM ACTUATOR MOUNTING KIT  
**OPTION:** ELECTRIC ACTUATOR  
**OPTION:** PNEUMATIC ACTUATOR
- LOCKOUT:** VARIABLE POSITION
- BLADE POSITION INDICATOR:** IDLE SIDE
- BLADE OPENS:** CCW

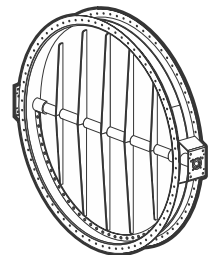


FITTING NUMBER	QTY	- D1 - DUCT DIA.	INDICATE CUSTOM RING IF REQUIRED D1 OR D2	REMARKS

**NOTES:** 1. ALL DUCT FITTINGS WITH STANDARD FAB-TECH CONNECTIONS INCLUDE GASKETS AND CLAMPS OR HARDWARE AS REQUIRED FOR INSTALLATION.

**METRIC EQUIVALENTS ARE SHOWN IN PARENTHESIS & ITALICS ( MILLIMETERS OR AS NOTED )**

REMARKS:

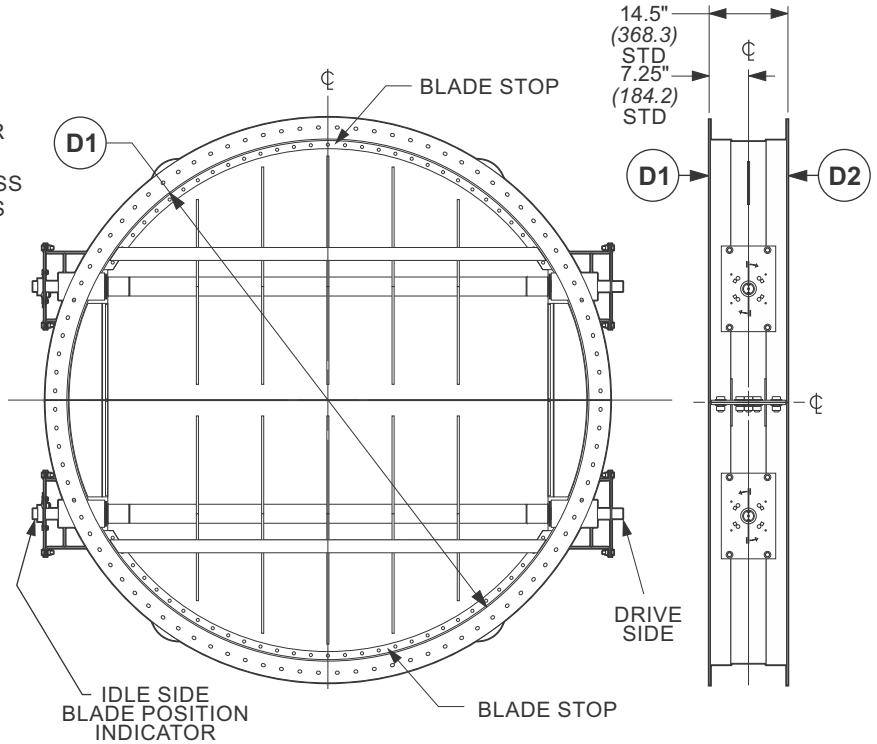


COMPANY / JOB REFERENCE:

86" (2184.4) - 120" (3048.0) Ultra Series Industrial Damper

**SPECIFICATIONS**

- DIFFERENTIAL PRESSURE:** 30" WG (7,473 Pa)
- BODY:** 1/4" (6.35) STAINLESS STEEL
- BODY LENGTH:** 14.5" (368.3)
- COATING:** PERMASHIELD FLUOROPOLYMER BARRIER COATING
- JOINING SYSTEM:** FULLY WELDED STAINLESS STEEL VAN STONE RINGS
- OPTION:** CUSTOM HOLE PATTERN
- MOUNTING HOLES:** STRADDLE VERTICAL CENTERLINE
- BLADE:** COATED REINFORCED 3/8" (9.53) STAINLESS STEEL
- BLADE STOPS:** WELDED
- AXLES:** DUAL SHAFT 2.00Ø (50.8) SS
- AXLE SEALS:** LIQUID TIGHT
- BEARINGS:** SPHERICAL HEIM
- ACTUATOR:** NONE, F14 / FA14 MOUNTING PATTERN
- OPTION:** CUSTOM ACTUATOR MOUNTING KIT
- LOCKOUT:** VARIABLE POSITION
- BLADE POSITION INDICATOR:** IDLE SIDE
- BLADE OPENS:** CW (TOP) - CCW (BOTTOM)

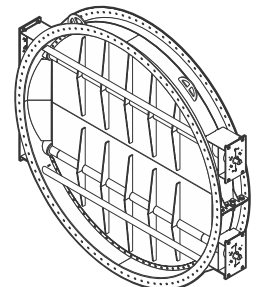


FITTING NUMBER	QTY	- D1 - DUCT DIA.	INDICATE CUSTOM RING IF REQUIRED D1 OR D2	REMARKS

**NOTES:** 1. ALL DUCT FITTINGS WITH STANDARD FAB-TECH CONNECTIONS INCLUDE GASKETS AND CLAMPS OR HARDWARE AS REQUIRED FOR INSTALLATION.

**METRIC EQUIVALENTS ARE SHOWN IN PARENTHESIS & ITALICS ( MILLIMETERS OR AS NOTED )**

REMARKS:

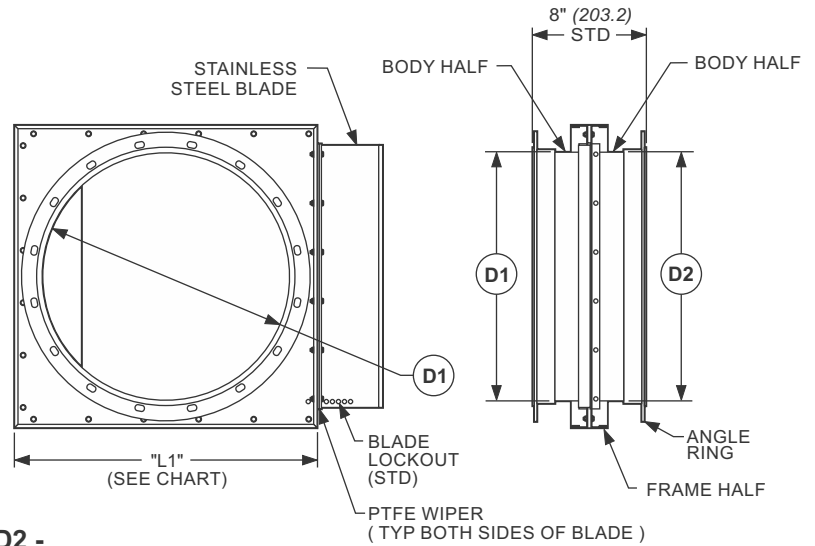


COMPANY / JOB REFERENCE:

4" (101.6) - 36" (914.4) Horizontal Run Isolation Blastgate

**SPECIFICATIONS**

FRAME: STAINLESS STEEL  
 BODY: STAINLESS STEEL  
 BLADE: STAINLESS STEEL  
 BLADE: LOCKOUT SYSTEM  
 COATING: PERMASHIELD FLUOROPOLYMER BARRIER COATING



FITTING NUMBER	QTY	- D1 - DUCT DIA.	- D1 - RING TYPE	- D2 - RING TYPE	REMARKS

DUCT DIA. "D"	OUTSIDE DIM "L1"	FRAME BOLTS	NO. OF BLADES
4" (101.6) TO 16" (406.4)	DIA. "D" + 4" (101.6)	.31" (7.87)	1
18" (457.2) TO 36" (914.4)	DIA. "D" + 4.5" (114.3)	.31" (7.87)	1

**DUCT JOINT / RING TYPE**

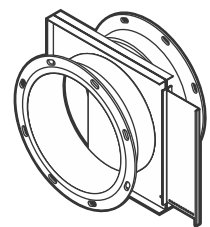
<b>EZ</b>	EZ CLAMP 4"Ø-14"Ø (101.6 - 355.6)
<b>SC</b>	STAINLESS CAST RING 4"Ø-14"Ø (101.6 - 355.6)
<b>BI</b>	BLACK IRON ANGLE RING 16"Ø-36"Ø (406.4 - 914.4)
<b>SS</b>	STAINLESS ANGLE RING 16"Ø-36"Ø (406.4 - 914.4)

**NOTES:** 1. ALL DUCT FITTINGS WITH STANDARD FAB-TECH CONNECTIONS INCLUDE GASKETS AND CLAMPS OR HARDWARE AS REQUIRED FOR INSTALLATION.

**METRIC EQUIVALENTS ARE SHOWN IN PARENTHESIS & ITALICS ( MILLIMETERS OR AS NOTED )**

REMARKS:

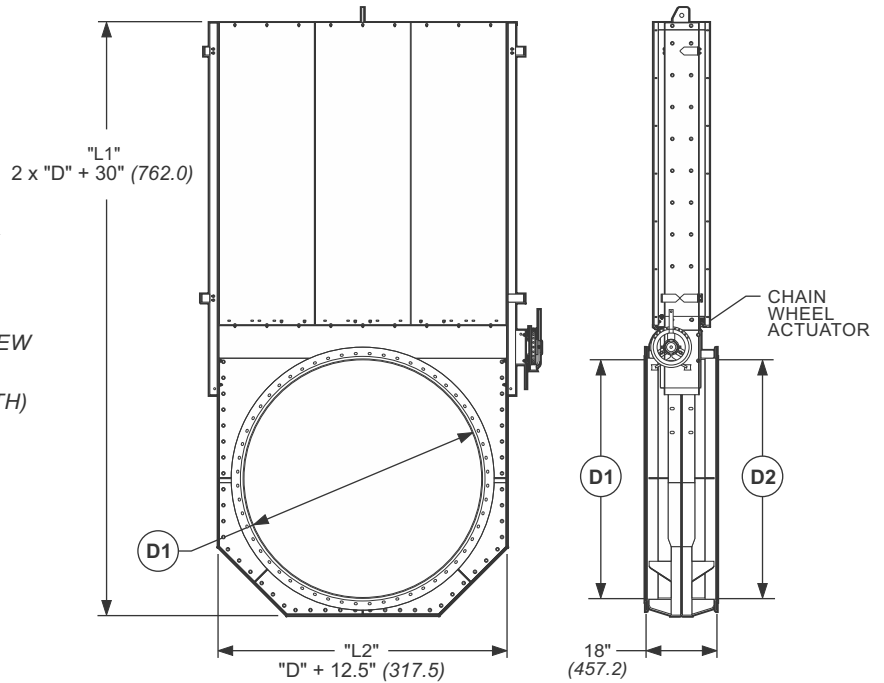
COMPANY / JOB REFERENCE:



16" (406.4) - 36" (914.4) Horizontal Run Actuated Isolation Blastgate

**SPECIFICATIONS**

- BODY: STAINLESS STEEL
- RINGS: STAINLESS STEEL ANGLE RINGS
- OPTION:** BLACK IRON ANGLE RINGS
- BLADE: STAINLESS STEEL
- BLADE: LOCKOUT SYSTEM
- COATING: PERMASHIELD FLUOROPOLYMER BARRIER COATING
- POSITION INDICATOR: EXTERIOR
- ACTUATOR: MANUAL CHAIN WHEEL
- OPTION:** BELLOWS ENCLOSED LEAD SCREW FOR ADDITIONAL CORROSION RESISTANCE (ADDS TO L1 LENGTH)



FITTING NUMBER	QTY	- D1 - DUCT DIA.	- D1 - RING TYPE	- D2 - RING TYPE	REMARKS

DUCT DIAMETER "D"	BODY LENGTH "L1"	BODY WIDTH "L2"	BODY BOLTS	NO. OF BLADES	BLADE ANGLE
16" (406.4) TO 36" (914.4)	2x"D" + 30" (762.0)	"D" + 12.5" (317.5)	.38" (9.65)	1	10°

**DUCT JOINT / RING TYPE**

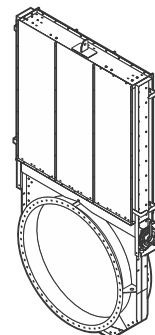
<b>BI</b>	BLACK IRON ANGLE RING 16"Ø-36"Ø (406.4 - 914.4)
<b>SS</b>	STAINLESS ANGLE RING 16"Ø-36"Ø (406.4 - 914.4)

- NOTES:**
1. HORIZONTAL RUN BLASTGATES GREATER THEN 88" (2235.2) REQUIRE FAB-TECH ENGINEERING REVIEW AND APPROVAL.
  2. ALL DUCT FITTINGS WITH STANDARD FAB-TECH CONNECTIONS INCLUDE GASKETS AND CLAMPS OR HARDWARE AS REQUIRED FOR INSTALLATION.

**METRIC EQUIVALENTS ARE SHOWN IN PARENTHESIS & ITALICS ( MILLIMETERS OR AS NOTED )**

REMARKS:

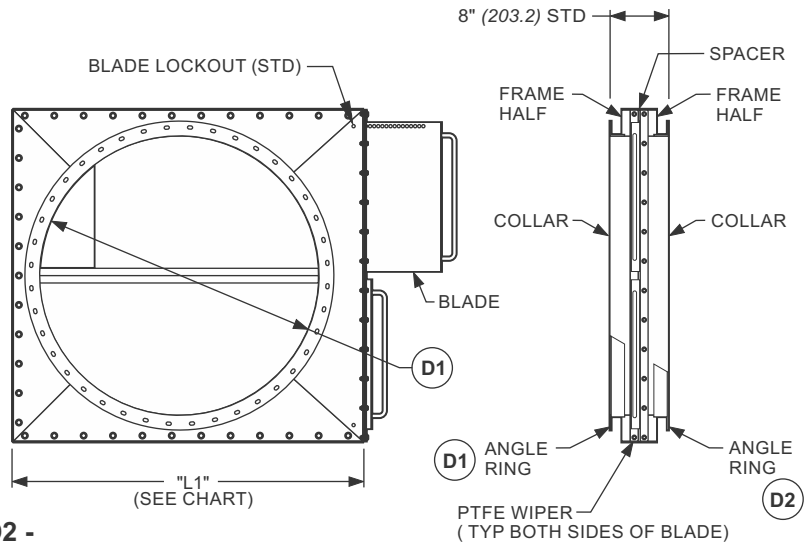
COMPANY / JOB REFERENCE:



38" (965.2) & Larger Horizontal Run Isolation Blastgate

SPECIFICATIONS

- FRAME: STAINLESS STEEL
- COLLAR: STAINLESS STEEL
- RINGS: STAINLESS STEEL
- BLADE: STAINLESS STEEL
- BLADE: LOCKOUT SYSTEM
- COATING: PERMASHIELD FLUOROPOLYMER BARRIER COATING



FITTING NUMBER	QTY	- D1 - DUCT DIA.	- D1 - RING TYPE	- D2 - RING TYPE	REMARKS

DUCT DIA. "D"	OUTSIDE DIM "L1"	FRAME BOLTS	NO. OF BLADES
38" (965.2) TO 46" (1168.4)	DIA. "D" + 10" (254.0)	.31" (7.87)	2
48" (1219.2) TO 60" (1524.0)	DIA. "D" + 11" (279.4)	.38" (9.65)	2
62" (1574.8) TO 84" (2133.6)	DIA. "D" + 11" (279.4)	.38" (9.65)	3
86" (2184.4) TO 96" (2438.4)	DIA. "D" + 11" (279.4)	.50" (12.7)	3
98" (2489.2) TO 120" (3048.0)	DIA. "D" + 11" (279.4)	.63" (16.0)	4

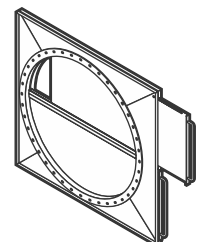
- DUCT JOINT / RING TYPE**
- BI** BLACK IRON ANGLE RING  
16"Ø-120"Ø (406.4 - 3048.0)
  - SS** STAINLESS ANGLE RING  
16"Ø-120"Ø (406.4 - 3048.0)

NOTES: 1. ALL DUCT FITTINGS WITH STANDARD FAB-TECH CONNECTIONS INCLUDE GASKETS AND CLAMPS OR HARDWARE AS REQUIRED FOR INSTALLATION.

**METRIC EQUIVALENTS ARE SHOWN IN PARENTHESIS & ITALICS ( MILLIMETERS OR AS NOTED )**

REMARKS:

COMPANY / JOB REFERENCE:

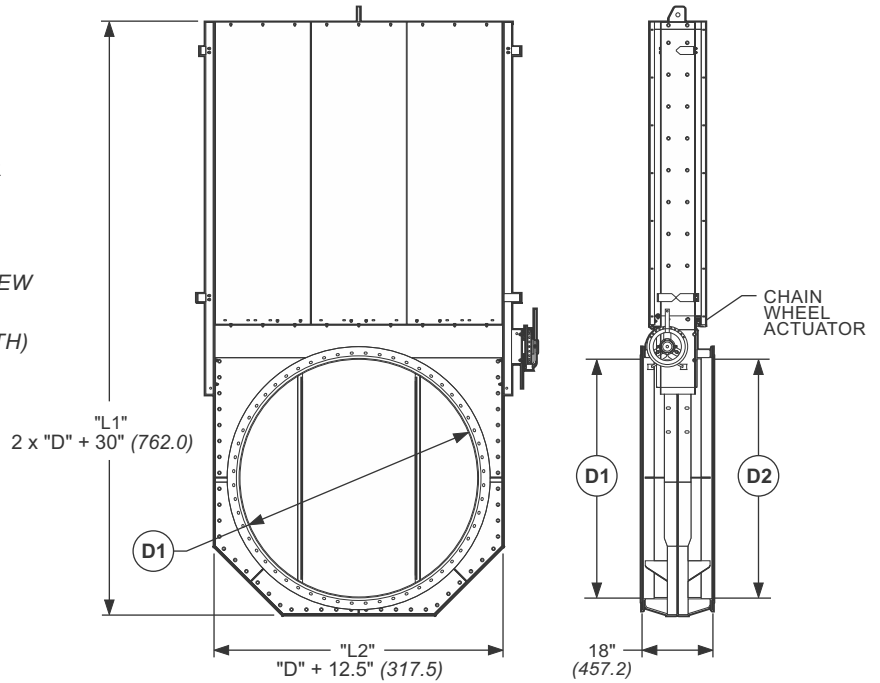




38" (965.2) & Larger Horizontal Run Actuated Isolation Blastgate

**SPECIFICATIONS**

- BODY:** STAINLESS STEEL
- RINGS:** STAINLESS STEEL ANGLE RINGS
- BLADES:** STAINLESS STEEL
- COATING:** PERMASHIELD FLUOROPOLYMER BARRIER COATING
- POSITION INDICATOR:** EXTERIOR
- ACTUATOR:** MANUAL CHAIN WHEEL
- OPTION:** BELLOWS ENCLOSED LEAD SCREW FOR ADDITIONAL CORROSION RESISTANCE (ADDS TO L1 LENGTH)



FITTING NUMBER	QTY	- D1 - DUCT DIA.	- D1 - RING TYPE	- D2 - RING TYPE	REMARKS

DUCT DIAMETER "D"	BODY LENGTH "L1"	BODY WIDTH "L2"	BODY BOLTS	NO. OF BLADES
38" (965.2) TO 64" (1625.6)	2x"D" + 30" (762.0)	"D" + 12.5" (317.5)	.38" (9.65)	1
66" (1676.4) TO 88" (2235.2)	2x"D" + 30" (762.0)	"D" + 12.5" (317.5)	.43" (10.92)	1

**DUCT JOINT / RING TYPE**

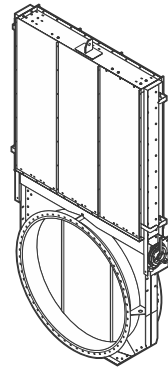
<b>BI</b>	BLACK IRON ANGLE RING 16"Ø-120"Ø (406.4 - 3048.0)
<b>SS</b>	STAINLESS ANGLE RING 16"Ø-120"Ø (406.4 - 3048.0)

- NOTES:**
1. HORIZONTAL RUN BLASTGATES GREATER THEN 88" (2235.2) REQUIRE FAB-TECH ENGINEERING REVIEW AND APPROVAL.
  2. ALL DUCT FITTINGS WITH STANDARD FAB-TECH CONNECTIONS INCLUDE GASKETS AND CLAMPS OR HARDWARE AS REQUIRED FOR INSTALLATION.

**METRIC EQUIVALENTS ARE SHOWN IN PARENTHESIS & ITALICS ( MILLIMETERS OR AS NOTED )**

REMARKS:

COMPANY / JOB REFERENCE:

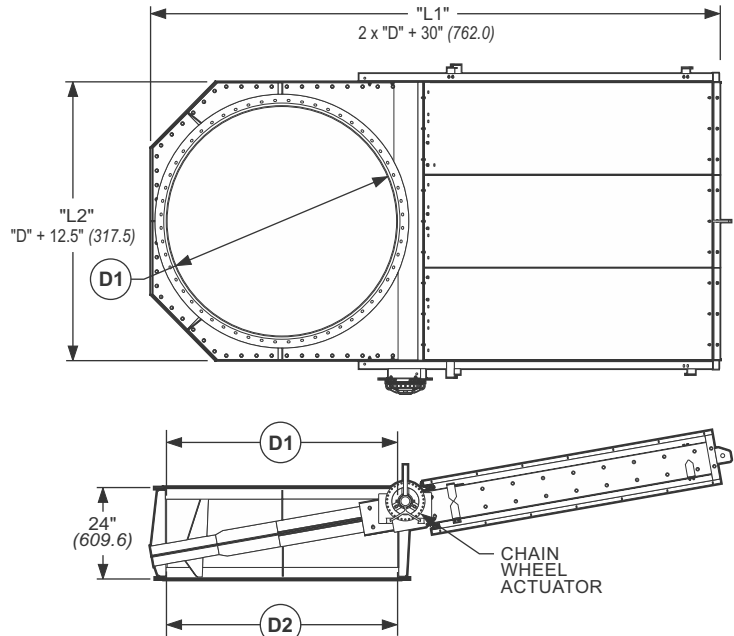




16" (406.4) - 36" (914.4) Vertical Run Actuated Isolation Blastgate

**SPECIFICATIONS**

- BODY: STAINLESS STEEL
- RINGS: STAINLESS STEEL ANGLE RINGS  
**OPTION:** BLACK IRON ANGLE RINGS
- BLADES: STAINLESS STEEL
- COATING: PERMASHIELD FLUOROPOLYMER  
BARRIER COATING
- POSITION INDICATOR: EXTERIOR
- ACTUATOR: MANUAL CHAIN WHEEL  
**OPTION:** BELLOWS ENCLOSED LEAD SCREW  
FOR ADDITIONAL CORROSION  
RESISTANCE (ADDS TO L1 LENGTH)



FITTING NUMBER	QTY	- D1 - DUCT DIA.	- D1 - RING TYPE	- D2 - RING TYPE	REMARKS

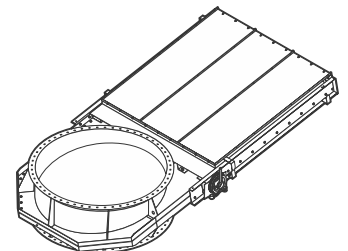
DUCT DIAMETER "D"	BODY LENGTH "L1"	BODY WIDTH "L2"	BODY BOLTS	NO. OF BLADES	BLADE ANGLE	DUCT JOINT / RING TYPE
16" (406.4) TO 36" (914.4)	2x"D" + 30" (762.0)	"D" + 12.5" (317.5)	.38" (9.65)	1	10°	<b>BI</b> BLACK IRON ANGLE RING 16"Ø-36"Ø (406.4 - 914.4) <b>SS</b> STAINLESS ANGLE RING 16"Ø-36"Ø (406.4 - 914.4)

- NOTES:**
1. VERTICAL RUN BLASTGATES GREATER THEN 88" (2235.2) REQUIRE FAB-TECH ENGINEERING REVIEW AND APPROVAL.
  2. ALL DUCT FITTINGS WITH STANDARD FAB-TECH CONNECTIONS INCLUDE GASKETS AND CLAMPS OR HARDWARE AS REQUIRED FOR INSTALLATION.

**METRIC EQUIVALENTS ARE SHOWN IN PARENTHESIS & ITALICS ( MILLIMETERS OR AS NOTED )**

REMARKS:

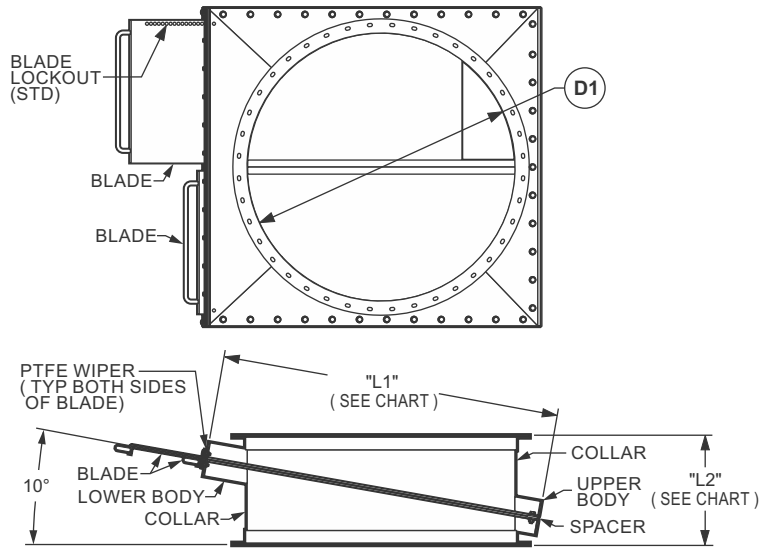
COMPANY / JOB REFERENCE:



38" (965.2) & Larger Vertical Run Isolation Blastgate

**SPECIFICATIONS**

- BODY: STAINLESS STEEL
- RINGS: STAINLESS STEEL ANGLE RINGS
- OPTION:** BLACK IRON ANGLE RINGS
- BLADES: STAINLESS STEEL
- BLADE: LOCKOUT SYSTEM
- COATING: PERMASHIELD FLUOROPOLYMER BARRIER COATING



FITTING NUMBER	QTY	- D1 - DUCT DIA.	- D1 - RING TYPE	- D2 - RING TYPE	REMARKS

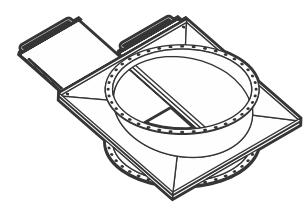
DUCT DIA. "D"	OUTSIDE DIM "L1"	FRAME BOLTS	NO. OF BLADES	BLADE ANGLE	LENGTH "L2"	DUCT JOINT / RING TYPE
38" (965.2) TO 46" (1168.4)	DIA. "D" + 10" (254.0)	.31" (7.87)	2	10°	16" (406.4)	<b>BI</b> BLACK IRON ANGLE RING 16"Ø-120"Ø (406.4 - 3048.0)
48" (1219.2) TO 60" (1524.0)	DIA. "D" + 11" (279.4)	.38" (9.65)	2	10°	24" (609.6)	<b>SS</b> STAINLESS ANGLE RING 16"Ø-120"Ø (406.4 - 3048.0)
62" (1574.8) TO 84" (2133.6)	DIA. "D" + 11" (279.4)	.38" (9.65)	3	10°	24" (609.6)	

- NOTES:**
1. VERTICAL RUN BLASTGATES GREATER THEN 84" (2133.6) REQUIRE FAB-TECH ENGINEERING REVIEW AND APPROVAL.
  2. ALL DUCT FITTINGS WITH STANDARD FAB-TECH CONNECTIONS INCLUDE GASKETS AND CLAMPS OR HARDWARE AS REQUIRED FOR INSTALLATION.

**METRIC EQUIVALENTS ARE SHOWN IN PARENTHESIS & ITALICS ( MILLIMETERS OR AS NOTED )**

REMARKS:

COMPANY / JOB REFERENCE:



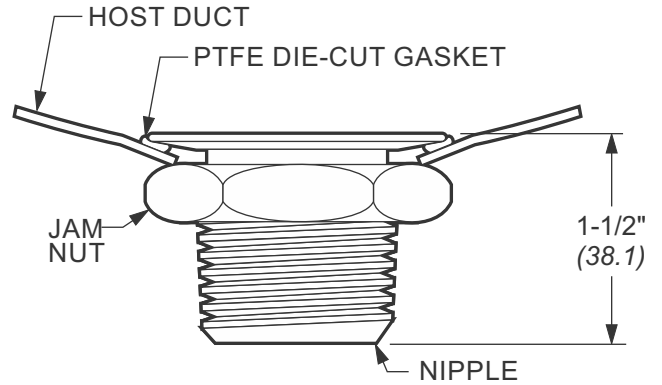


Field Installed Nipple

**\*SWAGE KIT REQUIRED TO INSTALL NIPPLE**  
**SEE SWAGE KIT ORDER SHEET**

ONLY ONE KIT IS REQUIRED TO INSTALL MULTIPLE NIPPLES

PART NUMBER*	DESCRIPTION
TPS01	MANUAL KIT FOR 1" (25.4)
TPS02	HYDRAULIC KIT FOR 1" (25.4) & 2" (50.8)

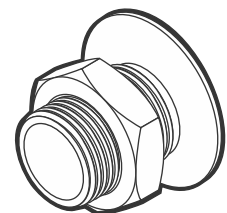


FITTING NUMBER	PART NUMBER	QTY	DESCRIPTION
	<b>PRT01</b>		1" (25.4) NPT NIPPLE - 6" (152.4) DIA DUCT MIN - 16 GA (1.59) MAX
	<b>PRT02</b>		2" (50.8) NPT NIPPLE - 10" (254.0) DIA DUCT MIN - 16 GA (1.59) MAX

- NOTES:**
1. REFER TO THE CATALOG INSTALLATION AND ASSEMBLY GUIDE.
  2. ALL DUCT FITTINGS WITH STANDARD FAB-TECH CONNECTIONS INCLUDE GASKETS AND CLAMPS OR HARDWARE AS REQUIRED FOR INSTALLATION.

**METRIC EQUIVALENTS ARE SHOWN IN PARENTHESIS & ITALICS ( MILLIMETERS OR AS NOTED )**

REMARKS:



COMPANY / JOB REFERENCE:

Field Installed Test Port

**SPECIFICATIONS**

**NIPPLE:** PURE PVDF, SEAL MADE OF VITON®

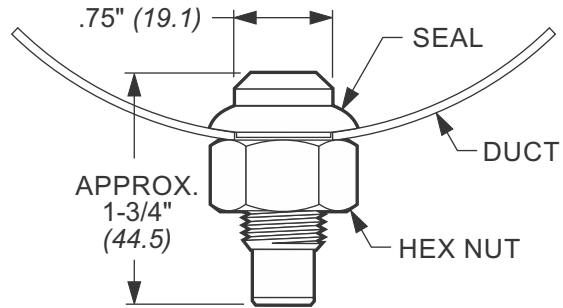
**HEX NUT:** STAINLESS STEEL

**OPTION:** REDRILL THRU HOLE TO SLIGHTLY LARGER SIZE

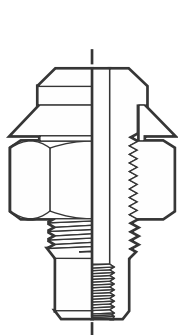
**OPTION:** DRILL AND TAP TEST PORT FOR FEMALE THREADS

**SEAL:** LIQUID TIGHT - DOES NOT COMPROMISE THE INTEGRITY OF THE INTERIOR COATING

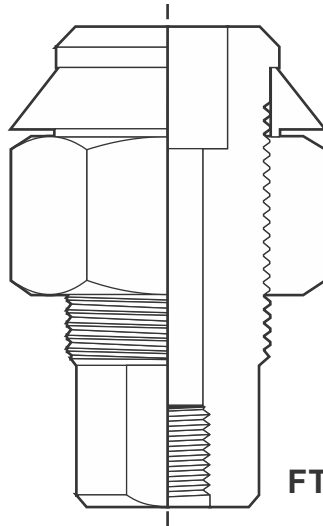
**3/8" (9.5) TEST PORT**



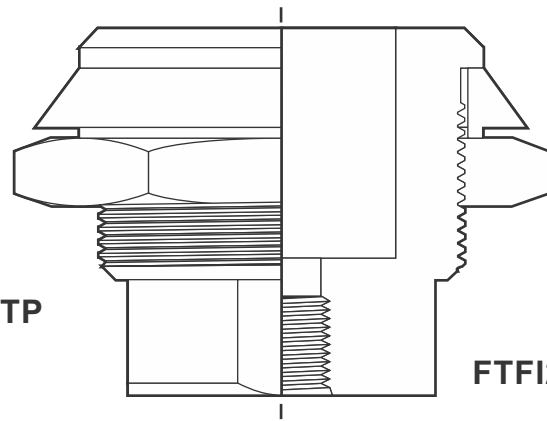
TO COMPLETE THE INSTALLATION, SIMPLY REMOVE THE HANDLE TO EXPOSE THE PORT AND ATTACH FITTING OR LINE.



**FTFI38TP**



**FTFI34TP**



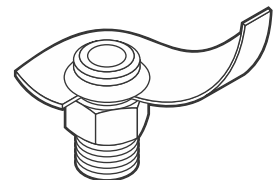
**FTFI20TP**

FITTING NUMBER	PART NUMBER	QTY	DESCRIPTION
	<b>FTFI38TP</b>		1/4" (6.35) THRU HOLE MOLDED TEST PORT - 2" (50.8) DIA. DUCT MIN.
	<b>FTFI34TP</b>		1/2" (12.7) THRU HOLE MOLDED TEST PORT - 6" (152.4) DIA. DUCT MIN.
	<b>FTFI20TP</b>		9/16" (14.3) THRU HOLE MOLDED TEST PORT - 12" (304.8) DIA. DUCT MIN.

- NOTES:**
1. THE UNIQUE HANDLE DESIGN OF THIS TEST PORT ALLOWS IT TO BE INSTALLED QUICKLY AND EASILY IN-THE-FIELD WITH COMMON TOOLS AND WITHOUT SYSTEM SHUTDOWN OR DISASSEMBLY.
  2. REFER TO THE CATALOG INSTALLATION AND ASSEMBLY GUIDE.
  3. ALL DUCT FITTINGS WITH STANDARD FAB-TECH CONNECTIONS INCLUDE GASKETS AND CLAMPS OR HARDWARE AS REQUIRED FOR INSTALLATION.

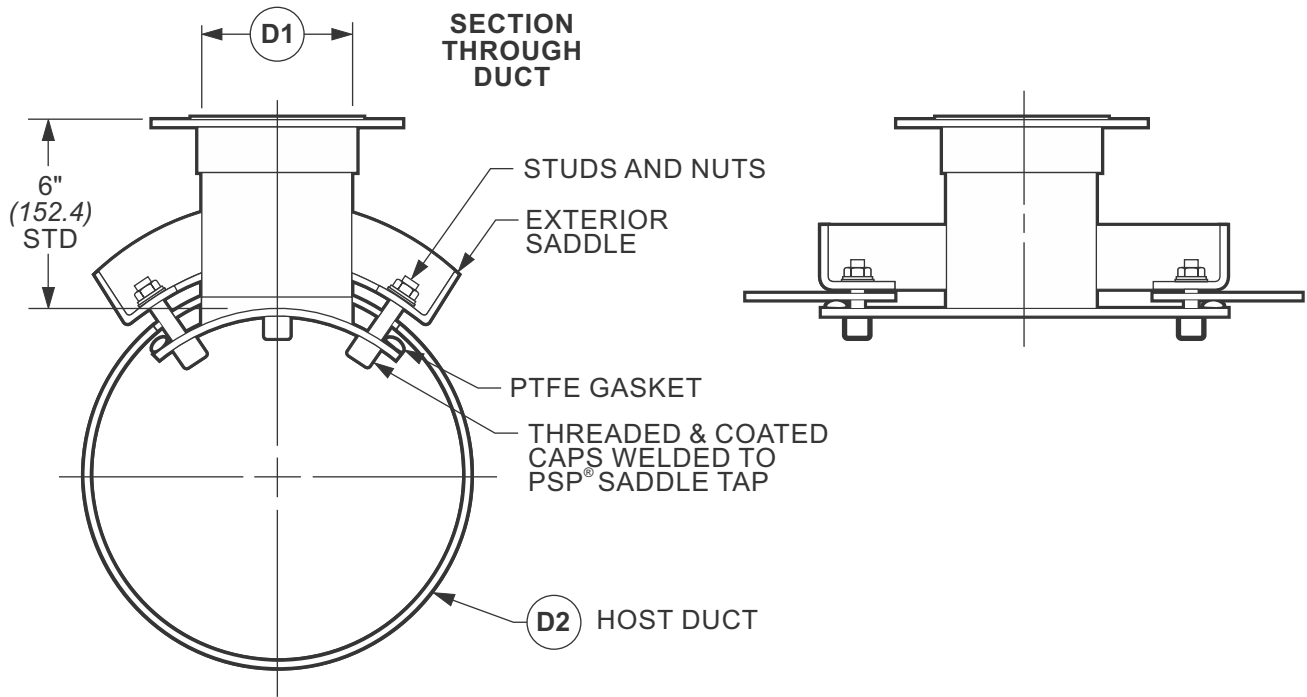
**METRIC EQUIVALENTS ARE SHOWN IN PARENTHESIS & ITALICS ( MILLIMETERS OR AS NOTED )**

REMARKS:



COMPANY / JOB REFERENCE:

Field Installed Straight Saddle Tap



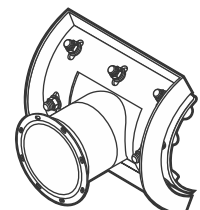
FITTING NUMBER	QTY	-D1- DUCT DIA.	-D1- RING TYPE	-D2- DUCT DIA.	HOST DUCT I.D., WALL THICKNESS & MATERIAL TYPE REQUIRED INFORMATION

- NOTES:**
1. FAB-TECH'S PSP SADDLE TAP WILL ALLOW A NEW BRANCH LINE TO BE INSTALLED WITHOUT SHUTTING DOWN THE EXHAUST SYSTEM. STRAIGHT TAP STANDARD, OTHER TAP STYLES AVAILABLE WITH ENGINEERING REVIEW AND APPROVAL.
  2. REFER TO THE CATALOG INSTALLATION AND ASSEMBLY GUIDE.
  3. ALL DUCT FITTINGS WITH STANDARD FAB-TECH CONNECTIONS INCLUDE GASKETS AND CLAMPS OR HARDWARE AS REQUIRED FOR INSTALLATION.

**METRIC EQUIVALENTS ARE SHOWN IN PARENTHESIS & ITALICS ( MILLIMETERS OR AS NOTED )**

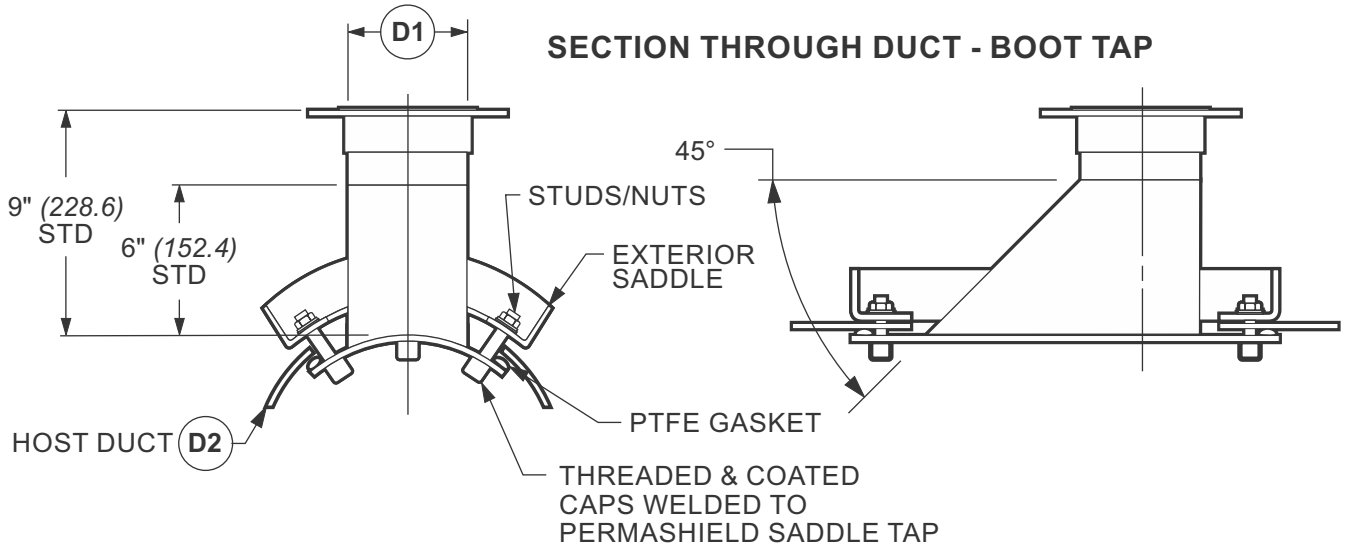
REMARKS:

COMPANY / JOB REFERENCE:





Field Installed Boot Saddle Tap



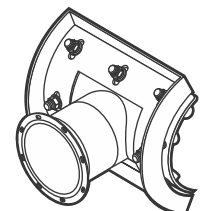
FITTING NUMBER	QTY	- D1 - DUCT DIA.	-D1- RING TYPE	-D2- DUCT DIA.	HOST DUCT I.D., WALL THICKNESS & MATERIAL TYPE REQUIRED INFORMATION

- NOTES:**
1. FAB-TECH'S PERMASHIELD BOOT SADDLE TAP WILL ALLOW A NEW BRANCH LINE TO BE INSTALLED WITHOUT SHUTTING DOWN THE EXHAUST SYSTEM.
  2. REFER TO THE CATALOG INSTALLATION AND ASSEMBLY GUIDE.
  3. ALL DUCT FITTINGS WITH STANDARD FAB-TECH CONNECTIONS INCLUDE GASKETS AND CLAMPS OR HARDWARE AS REQUIRED FOR INSTALLATION.

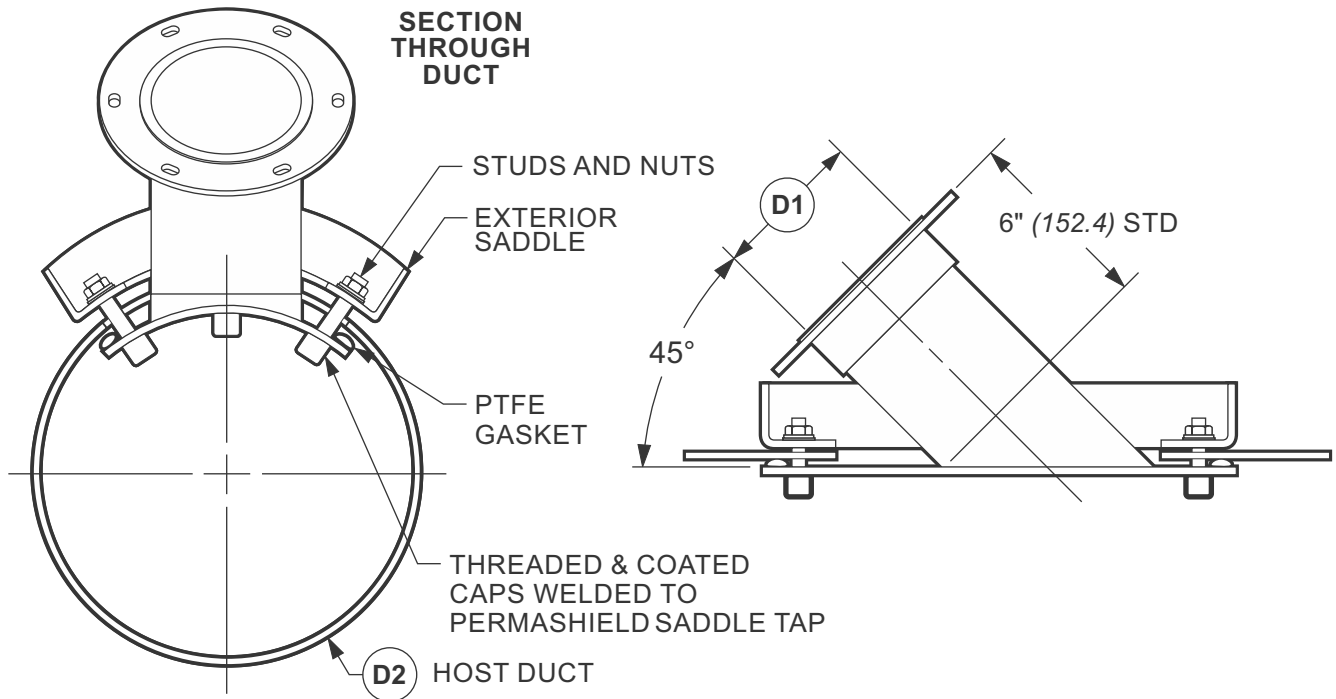
**METRIC EQUIVALENTS ARE SHOWN IN PARENTHESIS & ITALICS ( MILLIMETERS OR AS NOTED )**

REMARKS:

COMPANY / JOB REFERENCE:



Field Installed Lateral Saddle Tap

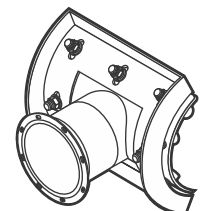


FITTING NUMBER	QTY	-D1- DUCT DIA.	-D1- RING TYPE	-D2- DUCT DIA.	HOST DUCT I.D., WALL THICKNESS & MATERIAL TYPE REQUIRED INFORMATION

- NOTES:**
1. FAB-TECH'S PERMASHIELD LATERAL SADDLE TAP WILL ALLOW A NEW BRANCH LINE TO BE INSTALLED WITHOUT SHUTTING DOWN THE EXHAUST SYSTEM.
  2. REFER TO THE CATALOG INSTALLATION AND ASSEMBLY GUIDE.
  3. ALL DUCT FITTINGS WITH STANDARD FAB-TECH CONNECTIONS INCLUDE GASKETS AND CLAMPS OR HARDWARE AS REQUIRED FOR INSTALLATION.

**METRIC EQUIVALENTS ARE SHOWN IN PARENTHESIS & ITALICS ( MILLIMETERS OR AS NOTED )**

REMARKS:



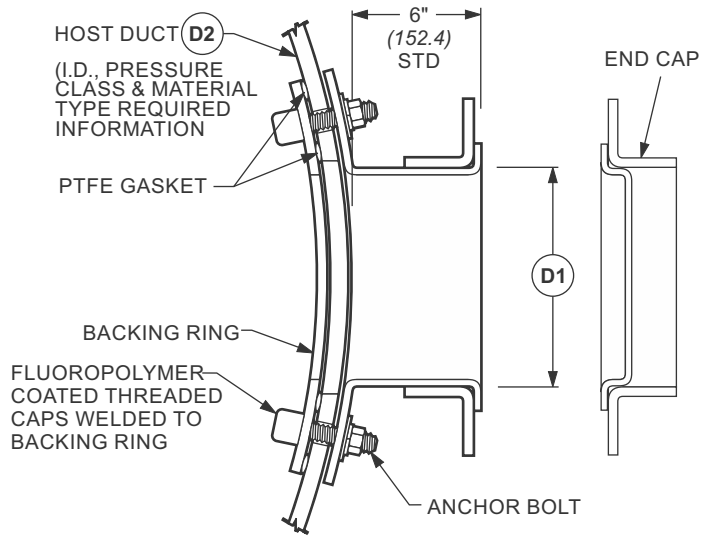
COMPANY / JOB REFERENCE:

Tap Size Dia.	Minimum Host Dia.
4 (101.6)	10 (254.0)
6 (152.4)	10 (254.0)
8 (203.2)	14 (355.6)
10 (254.0)	16 (406.4)
12 (304.8)	20 (508.0)
14 (355.6)	22 (558.8)
16 (406.4)	26 (660.4)
18 (457.2)	28 (711.2)
20 (508.0)	32 (812.8)
22 (558.8)	34 (863.6)
24 (609.6)	38 (965.2)
26 (660.4)	40 (1016.0)
28 (711.2)	44 (1117.6)
30 (762.0)	48 (1219.2)
32 (812.8)	50 (1270.0)
34 (863.6)	54 (1371.6)
36 (914.4)	56 (1422.4)
38 (965.2)	60 (1524.0)
40 (1016.0)	62 (1574.8)
42 (1066.8)	66 (1676.4)
44 (1117.6)	68 (1727.2)
46 (1168.4)	72 (1828.8)
48 (1219.2)	74 (1879.6)

**ALLOWABLE TAP SIZE CHART**

**Field Installed Hot Tap**

**SECTION THROUGH DUCT & TAP**



FITTING NUMBER	QTY	-D1- DUCT DIA.	-D1- RING TYPE	-D2- DUCT DIA.	HOST DUCT I.D., WALL THICKNESS & MATERIAL TYPE REQUIRED INFORMATION

**Isolation Boxes**

NOTE: BOXES CAN BE USED ON SAME SIZE HOST DUCT WITH HOT TAPS OF D1 SIZE OR SMALLER

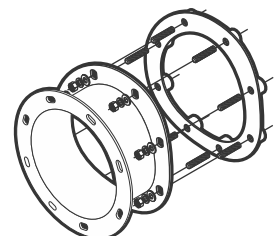
FITTING NUMBER	QTY	TAP DIA.	HOST DIA.

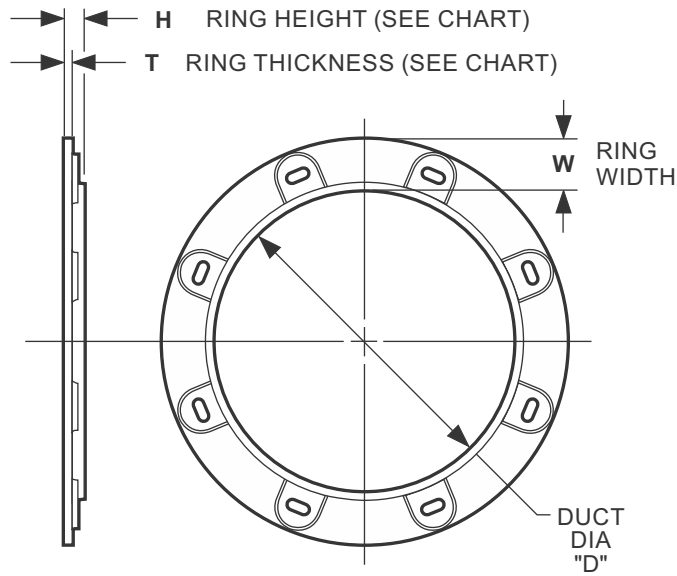
- NOTES:**
1. STRAIGHT TAP IS STANDARD. ISOLATION BOX REQUIRED FOR INSTALLATION. REFER TO THE CATALOG INSTALLATION AND ASSEMBLY GUIDE.
  2. ALL DUCT FITTINGS WITH STANDARD FAB-TECH CONNECTIONS INCLUDE GASKETS AND CLAMPS OR HARDWARE AS REQUIRED FOR INSTALLATION.
  3. REFER TO CATALOG PAGE FOR PRODUCT LIMITATIONS.

**METRIC EQUIVALENTS ARE SHOWN IN PARENTHESIS & ITALICS ( MILLIMETERS OR AS NOTED )**

REMARKS:

COMPANY / JOB REFERENCE:





**CAST RING SPECIFICATIONS**

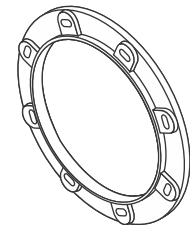
DUCT DIA "D"	WIDTH (W)	HEIGHT (H)	THICKNESS (T)	# HOLES	BOLT HOLE SIZE	BOLT SIZE	BOLT CIRCLE DIA.	DUCT DIA "D"
4 (101.6)	1-1/4 (31.8)	13/32 (10.3)	1/8 (3.2)	6	7/16 x 11/16 (11.1) x (17.5)	3/8 (9.5)	5.31 (134.9)	4 (101.6)
6 (152.4)				8			7.50 (190.5)	6 (152.4)
8 (203.2)				12			9.50 (241.3)	8 (203.2)
10 (254.0)	1-1/2 (38.1)	1/2 (12.7)	3/16 (4.8)	12	9/16 x 3/4 (14.3) x (19.1)	1/2 (12.7)	11.50 (292.1)	10 (254.0)
12 (304.8)				13.81 (350.8)			12 (304.8)	
14 (355.6)				15.81 (401.6)			14 (355.6)	

FITTING NUMBER	QTY	PART NUMBER	DESCRIPTION
		<b>RC04</b>	4" (101.6) DIA. - STAINLESS STEEL CAST RING
		<b>RC06</b>	6" (152.4) DIA. - STAINLESS STEEL CAST RING
		<b>RC08</b>	8" (203.2) DIA. - STAINLESS STEEL CAST RING
		<b>RC10</b>	10" (254.0) DIA. - STAINLESS STEEL CAST RING
		<b>RC12</b>	12" (304.8) DIA. - STAINLESS STEEL CAST RING
		<b>RC14</b>	14" (355.6) DIA. - STAINLESS STEEL CAST RING

**NOTES:** 1. ALL DUCT FITTINGS WITH STANDARD FAB-TECH CONNECTIONS INCLUDE GASKETS AND CLAMPS OR HARDWARE AS REQUIRED FOR INSTALLATION.

**METRIC EQUIVALENTS ARE SHOWN IN PARENTHESIS & ITALICS ( MILLIMETERS OR AS NOTED )**

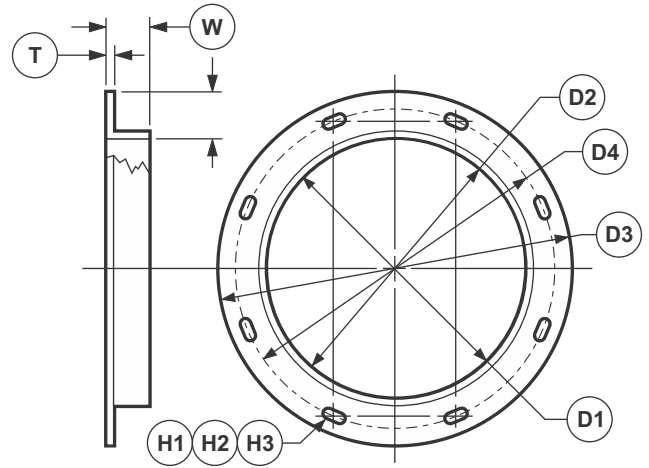
REMARKS:



COMPANY / JOB REFERENCE:

Angle Ring, Fab-Tech Standard

DUCT DIA Ø	ANGLE RING SPECIFICATIONS					RING MATERIAL & GASKETS			
	WIDTH (W)	THICKNESS (T)	# HOLES	BOLT HOLE SIZE	BOLT SIZE	BOLT CIRCLE DIA.	PTFE GASKET W x H	STAINLESS STEEL	BLACK IRON
4 (101.6)	1" (25.4)	1/8" (3.18)	6	7/16" (11.1)	3/8" (9.53)	5.31 (134.87)	GAS09 .01" x .75" (.25 x 19.05)	SC	BI
6 (152.4)	1-1/4" (31.8)	1/8" (3.18)	8	7/16" x 11/16" (11.1 x 17.5)	3/8" (9.53)	7.50 (190.5)		SC	BI
8 (203.2)	1-1/2" (38.1)	3/16" (4.76)	12			9.50 (241.3)	SC	BI	
10 (254.0)				11.50 (292.1)	SS	BI			
12 (304.8)	2" (50.8)	3/16" (4.76)	16	13.81 (350.77)	1/2" (12.7)	15.81 (401.57)	GAS03 1/4 x 3/16 (6.35 x 4.76)	SC	BI
14 (355.6)				17.76 (451.10)		SS		BI	
16 (406.4)	3" (76.2)	9/16" x 3/4" (14.29 x 19.05) SLOT	20	19.76 (501.9)	1/4" (6.35)	21.76 (552.7)	STITCH WELDED	SS	BI
18 (457.2)				23.88 (606.55)		SS		BI	
20 (508.0)	2-1/2" (63.5)	1/4" (6.35)	24	25.88 (657.35)	1/2" (12.7)	27.88 (708.15)	STITCH WELDED	SS	BI
22 (558.8)				29.88 (758.95)		SS		BI	
24 (609.6)	3" (76.2)	9/16" x 3/4" (14.29 x 19.05) SLOT	28	31.88 (809.75)	1/4" (6.35)	33.88 (860.55)	STITCH WELDED	SS	BI
26 (660.4)				35.88 (911.35)		SS		BI	
28 (711.2)	4" (101.6)	1/4" (6.35)	32	37.88 (962.15)	1/4" (6.35)	39.88 (1012.95)	STITCH WELDED	SS	BI
30 (762.0)				40.38 (1025.65)		SS		BI	
32 (812.8)	3" (76.2)	9/16" x 3/4" (14.29 x 19.05) SLOT	36	42.38 (1076.45)	1/4" (6.35)	44.38 (1127.25)	STITCH WELDED	SS	BI
34 (863.6)				44.38 (1127.25)		SS		BI	
36 (914.4)	4" (101.6)	1/4" (6.35)	40	46.38 (1178.05)	1/4" (6.35)	48.38 (1228.85)	STITCH WELDED	SS	BI
38 (965.2)				50.38 (1279.65)		SS		BI	
40 (1016.0)	3" (76.2)	9/16" x 3/4" (14.29 x 19.05) SLOT	44	52.88 (1343.15)	1/4" (6.35)	54.88 (1393.95)	STITCH WELDED	SS	BI
42 (1066.8)				54.88 (1393.95)		SS		BI	
44 (1117.6)	4" (101.6)	1/4" (6.35)	48	56.88 (1444.75)	1/4" (6.35)	58.88 (1495.55)	STITCH WELDED	SS	BI
46 (1168.4)				60.88 (1546.35)		SS		BI	
48 (1219.2)	3" (76.2)	9/16" x 3/4" (14.29 x 19.05) SLOT	52	62.88 (1597.15)	1/4" (6.35)	64.88 (1647.95)	STITCH WELDED	SS	BI
50 (1270.0)				64.88 (1647.95)		SS		BI	
52 (1320.8)	4" (101.6)	1/4" (6.35)	56	66.88 (1698.75)	1/4" (6.35)	68.88 (1749.55)	STITCH WELDED	SS	BI
54 (1371.6)				70.88 (1800.35)		SS		BI	
56 (1422.4)	3" (76.2)	9/16" x 3/4" (14.29 x 19.05) SLOT	60	72.88 (1851.15)	1/4" (6.35)	74.88 (1901.95)	STITCH WELDED	SS	BI
58 (1473.2)				74.88 (1901.95)		SS		BI	
60 (1524.0)	4" (101.6)	1/4" (6.35)	64	76.88 (1952.75)	1/4" (6.35)	78.88 (2003.55)	STITCH WELDED	SS	BI
62 (1574.8)				80.88 (2054.35)		SS		BI	
64 (1625.6)	3" (76.2)	9/16" x 3/4" (14.29 x 19.05) SLOT	68	82.88 (2105.15)	1/4" (6.35)	84.88 (2155.95)	STITCH WELDED	SS	BI
66 (1676.4)				84.88 (2155.95)		SS		BI	
68 (1727.2)	4" (101.6)	1/4" (6.35)	72	86.88 (2206.75)	1/4" (6.35)	88.88 (2257.55)	STITCH WELDED	SS	BI
70 (1778.0)				88.88 (2257.55)		SS		BI	
72 (1828.8)	3" (76.2)	9/16" x 3/4" (14.29 x 19.05) SLOT	76	89.38 (2270.25)	1/4" (6.35)	91.38 (2321.05)	STITCH WELDED	SS	BI
74 (1879.6)				91.38 (2321.05)		SS		BI	
76 (1930.4)	4" (101.6)	1/4" (6.35)	80	93.38 (2371.85)	1/4" (6.35)	95.38 (2422.65)	STITCH WELDED	SS	BI
78 (1981.2)				95.38 (2422.65)		SS		BI	
80 (2032.0)	3" (76.2)	9/16" x 3/4" (14.29 x 19.05) SLOT	84	97.38 (2473.45)	1/4" (6.35)	99.38 (2524.25)	STITCH WELDED	SS	BI
82 (2082.8)				99.38 (2524.25)		SS		BI	
84 (2133.6)	4" (101.6)	1/4" (6.35)	88	100.38 (2549.65)	1/4" (6.35)	102.38 (2600.45)	STITCH WELDED	SS	BI
86 (2184.4)				102.38 (2600.45)		SS		BI	
86 (2184.4)	3" (76.2)	9/16" x 3/4" (14.29 x 19.05) SLOT	92	104.38 (2651.25)	1/4" (6.35)	106.38 (2702.05)	STITCH WELDED	SS	BI
88 (2235.2)				106.38 (2702.05)		SS		BI	
90 (2286.0)	4" (101.6)	1/4" (6.35)	96	106.38 (2702.05)	1/4" (6.35)	108.38 (2752.85)	STITCH WELDED	SS	BI
92 (2336.8)				108.38 (2752.85)		SS		BI	
94 (2387.6)	3" (76.2)	9/16" x 3/4" (14.29 x 19.05) SLOT	100	110.38 (2803.65)	1/4" (6.35)	112.38 (2854.45)	STITCH WELDED	SS	BI
96 (2438.4)				112.38 (2854.45)		SS		BI	
98 (2489.2)	4" (101.6)	1/4" (6.35)	104	114.38 (2905.25)	1/4" (6.35)	116.38 (2956.05)	STITCH WELDED	SS	BI
100 (2540.0)				116.38 (2956.05)		SS		BI	
102 (2590.8)	3" (76.2)	9/16" x 3/4" (14.29 x 19.05) SLOT	108	118.38 (3006.85)	1/4" (6.35)	120.38 (3057.65)	STITCH WELDED	SS	BI
104 (2641.6)				120.38 (3057.65)		SS		BI	
106 (2692.4)	4" (101.6)	1/4" (6.35)	112	122.38 (3108.45)	1/4" (6.35)	124.38 (3159.25)	STITCH WELDED	SS	BI
108 (2743.2)				124.38 (3159.25)		SS		BI	
110 (2794.0)	3" (76.2)	9/16" x 3/4" (14.29 x 19.05) SLOT	116		1/4" (6.35)		STITCH WELDED	SS	BI
112 (2844.8)						SS		BI	
114 (2895.6)	4" (101.6)	1/4" (6.35)	120		1/4" (6.35)		STITCH WELDED	SS	BI
116 (2946.4)						SS		BI	
118 (2997.2)	3" (76.2)	9/16" x 3/4" (14.29 x 19.05) SLOT	124		1/4" (6.35)		STITCH WELDED	SS	BI
120 (3048.0)						SS		BI	



DUCT JOINT / RING TYPE

- BI** BLACK IRON ANGLE RING  
16"Ø-120"Ø (406.4 - 3048.0)
- SS** STAINLESS ANGLE RING  
16"Ø-120"Ø (406.4 - 3048.0)

QTY	DIA	TYPE

SPECIFICATIONS

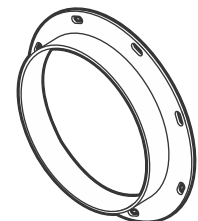
- HOLES:** SLOTTED HOLES STANDARD
- HOLE PATTERN:** STRADDLE VERTICAL CENTERLINE, STANDARD FOR FIXED RINGS
- ANGLE FLANGES:** STANDARD, FLAT RINGS NOT RECOMMENDED
- FLANGE:** WIDTH AND THICKNESS VS DUCT SIZE ARE STANDARD, SEE MECHANICAL SPECIFICATIONS IN THE STANDARDS SECTION OF CATALOG
- OPTION:** CUSTOM RINGS FOR ADDITIONAL CHARGE

**NOTES:** 1. ALL DUCT FITTINGS WITH STANDARD FAB-TECH CONNECTIONS INCLUDE GASKETS AND CLAMPS OR HARDWARE AS REQUIRED FOR INSTALLATION.

**METRIC EQUIVALENTS ARE SHOWN IN PARENTHESIS & ITALICS ( MILLIMETERS OR AS NOTED )**

REMARKS:

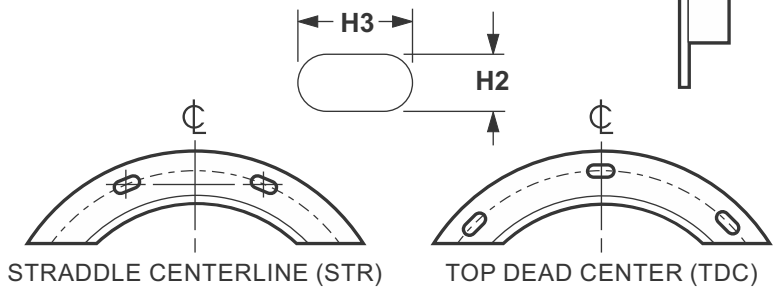
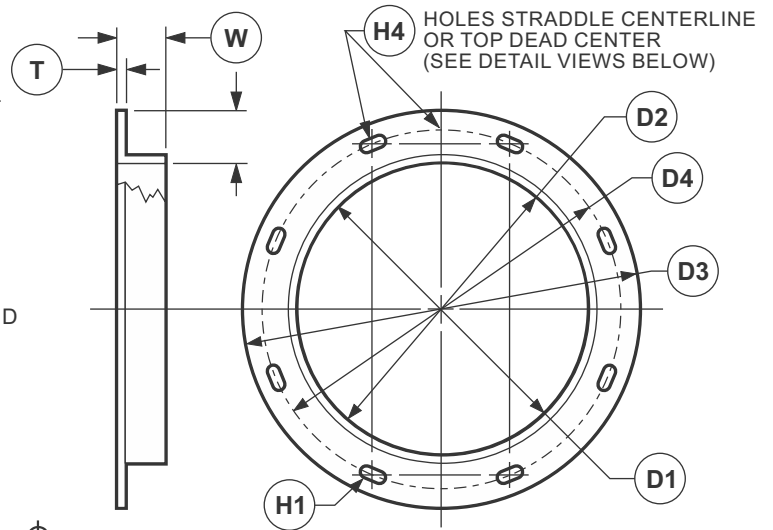
COMPANY / JOB REFERENCE:



Custom Angle Ring - Must Accompany Fitting Order Sheet

**SPECIFICATIONS**

**HOLES:** SLOTTED HOLES STANDARD  
**HOLE PATTERN ORIENTATION:** HOLES ON VERTICAL CENTERLINE OR STRADDLE VERTICAL CENTERLINE  
**ANGLE FLANGES:** STANDARD, FLAT RINGS NOT RECOMMENDED  
**FLANGE:** WIDTH AND THICKNESS USE STANDARD ANGLE SIZES, SEE MECHANICAL SPECIFICATIONS IN THE STANDARDS SECTION OF THE PRODUCT CATALOG  
 OVERSIZED ANGLE RING MAY BE REQUIRED TO ACCOMMODATE BOLT HOLE PATTERN  
**FLANGE:** ALL CUSTOM RINGS ARE STAINLESS STEEL AND WELDED SOLID



FAB-TECH INTERNAL USE ONLY  
 ORDER #: \_\_\_\_\_  
 CUSTOMER: \_\_\_\_\_

REFERENCE FITTING	QTY	- D1 - DUCT DIA.	- D4 - BOLT CIRCLE DIA.	- H1 - NO. OF HOLES	- H2 - HOLE DIA	- H3 - HOLE LENGTH	- H4 - HOLE ORIENT	- D2 - RING I.D.	- D3 - RING O.D.	- W - RING WIDTH	- T - RING THICKNESS	BURN OR BUY
							<input type="radio"/> STR <input type="radio"/> TDC					
							<input type="radio"/> STR <input type="radio"/> TDC					
							<input type="radio"/> STR <input type="radio"/> TDC					
							<input type="radio"/> STR <input type="radio"/> TDC					
							<input type="radio"/> STR <input type="radio"/> TDC					
							<input type="radio"/> STR <input type="radio"/> TDC					
							<input type="radio"/> STR <input type="radio"/> TDC					
							<input type="radio"/> STR <input type="radio"/> TDC					

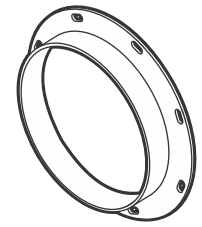
**NOTES:** 1. ALL DUCT FITTINGS WITH STANDARD FAB-TECH CONNECTIONS INCLUDE GASKETS AND CLAMPS OR HARDWARE AS REQUIRED FOR INSTALLATION.  
 2. DUCT FITTINGS WITH CUSTOM CONNECTIONS DO NOT INCLUDE GASKETS, CLAMPS, OR HARDWARE FOR THE NON-STANDARD CONNECTION.

**METRIC EQUIVALENTS ARE SHOWN IN PARENTHESIS & ITALICS ( MILLIMETERS OR AS NOTED )**

REMARKS:

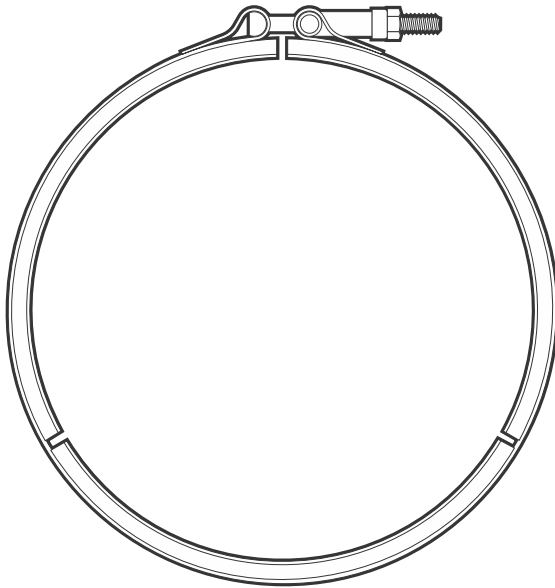
**DUCT JOINT / RING TYPE**

**SS** STAINLESS ANGLE RING  
 4"Ø-120"Ø (101.6 - 3048.0)



COMPANY / JOB REFERENCE:

PSP-EZ™ Clamp / Clamp Kit



The PSP-EZ™ joining system is available for standard PermaShield duct from 4" (101.6) to 14" (355.6) in diameter. The combination of half round backing rings and the unique angled clamp band provides excellent clamping force with the added benefit of ease of installation.

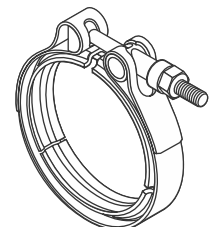
Each kit contains a clamp, PTFE tape gasket, and two backing rings.

FITTING NUMBER	PART NUMBER	QTY	DESCRIPTION
	<b>CL004KT</b>		CLAMP KIT FOR 4" (101.6) DUCT
	<b>CL004</b>		CLAMP ONLY
	<b>CL006KT</b>		CLAMP KIT FOR 6" (152.4) DUCT
	<b>CL006</b>		CLAMP ONLY
	<b>CL008KT</b>		CLAMP KIT FOR 8" (203.2) DUCT
	<b>CL008</b>		CLAMP ONLY
	<b>CL010KT</b>		CLAMP KIT FOR 10" (254.0) DUCT
	<b>CL010</b>		CLAMP ONLY
	<b>CL012KT</b>		CLAMP KIT FOR 12" (304.8) DUCT
	<b>CL012</b>		CLAMP ONLY
	<b>CL014KT</b>		CLAMP KIT FOR 14" (355.6) DUCT
	<b>CL014</b>		CLAMP ONLY

**NOTES:** 1. ALL DUCT FITTINGS WITH STANDARD FAB-TECH CONNECTIONS INCLUDE GASKETS AND CLAMPS OR HARDWARE AS REQUIRED FOR INSTALLATION.

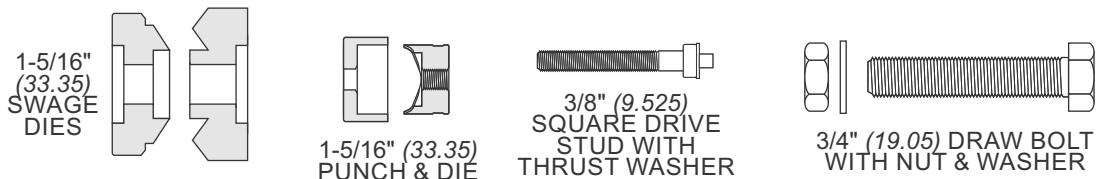
**METRIC EQUIVALENTS ARE SHOWN IN PARENTHESIS & ITALICS ( MILLIMETERS OR AS NOTED )**

REMARKS:



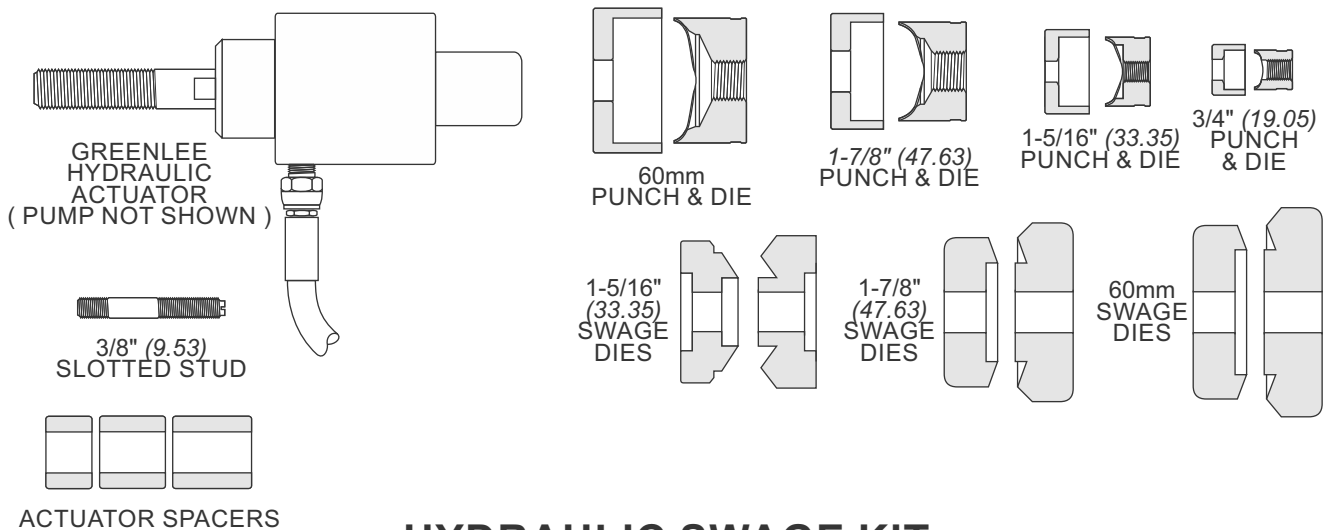
COMPANY / JOB REFERENCE:

FITTING NUMBER	PART NUMBER	QTY	DESCRIPTION
	<b>TPS01</b>		MANUAL KIT FOR 1" (25.4mm) FIELD INSTALLED NIPPLE
	<b>TPS02</b>		HYDRAULIC KIT FOR 1" (25.4mm), 1-1/2" (38.1mm), & 2" (50.8mm) NIPPLE



**MANUAL SWAGE KIT**

THIS KIT IS USED FOR INSTALLATION OF 1" FIELD INSTALLED NIPPLES  
SEE INSTALLATION AND ASSEMBLY GUIDE FOR INSTALLATION INSTRUCTIONS



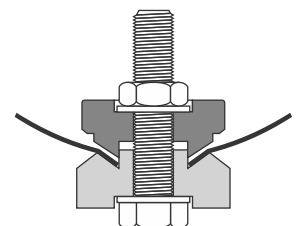
**HYDRAULIC SWAGE KIT**

THIS KIT IS USED FOR INSTALLATION OF 1" (25.4), 1-1/2" (38.1), & 2" (50.8) FIELD INSTALLED NIPPLES  
SEE INSTALLATION AND ASSEMBLY GUIDE FOR INSTALLATION INSTRUCTIONS

**NOTES:** 1. ALL DUCT FITTINGS WITH STANDARD FAB-TECH CONNECTIONS INCLUDE GASKETS AND CLAMPS OR HARDWARE AS REQUIRED FOR INSTALLATION.

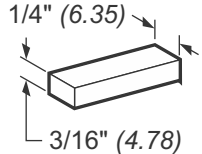
**METRIC EQUIVALENTS ARE SHOWN IN PARENTHESIS & ITALICS ( MILLIMETERS OR AS NOTED )**


REMARKS:



COMPANY / JOB REFERENCE:



	FITTING NUMBER	PART NUMBER	QTY	DESCRIPTION
ROPE GASKET 1/4" x 3/16" 		<b>GAS03*</b>		FOR 32" (812.8) - 120" (3048.0) DIA ROUND AND RECTANGULAR DUCT
				* ADHESIVE ON ONE SIDE

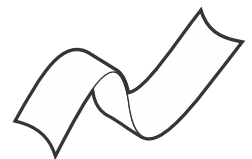
	FITTING NUMBER	PART NUMBER	QTY	DESCRIPTION
TAPE GASKET .01" (.254) THK X .75" (19.1) WIDE 		<b>GAS09*</b>		FOR 4" (101.6) - 14" (355.6) EZ JOINTS & 4" (101.6) - 30" (762.0) ROUND DUCT
				* ADHESIVE ON ONE SIDE

**NOTES:** 1. ALL DUCT AND FITTINGS INCLUDE GASKET MATERIAL FOR INSTALLATION. USE THIS ORDER SHEET TO ORDER JUST GASKET MATERIAL. WHEN ORDERING, PLEASE ROUND OFF QUANTITY TO THE NEAREST FOOT.

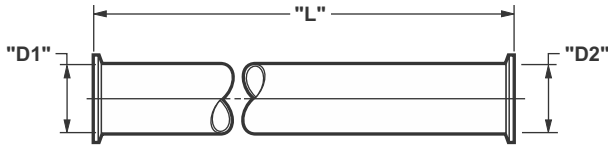
**METRIC EQUIVALENTS ARE SHOWN IN PARENTHESIS & ITALICS ( MILLIMETERS OR AS NOTED )**

REMARKS:

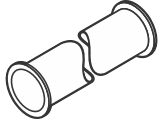
COMPANY / JOB REFERENCE:



EZ Straight Standard & Custom Length

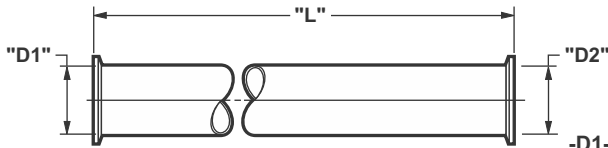


2" (50.8) DUCT  
STANDARD  
STRAIGHT

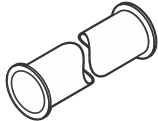


Standard  
length is  
47.25" (1200.15)

	FITTING NUMBER	QTY	-D1- DUCT DIA	-L- DUCT LENGTH	INDICATE CUSTOM RING IF REQUIRED D1 OR D2	REMARKS
			2			
			2			
			2			
			2			
			2			
			2			



3" (76.2) DUCT  
STANDARD  
STRAIGHT



Standard  
length is  
47.25" (1200.15)

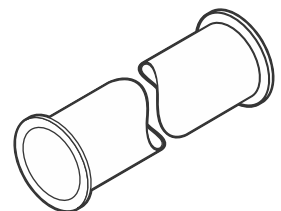
	FITTING NUMBER	QTY	-D1- DUCT DIA	-L1- DUCT LENGTH	INDICATE CUSTOM RING IF REQUIRED D1 OR D2	REMARKS
			3			
			3			
			3			
			3			
			3			
			3			

- NOTES:**
1. REFER TO THE CATALOG FOR SPECIFIC DETAILS AND DIMENSIONS.
  2. ALL DUCT FITTINGS WITH STANDARD FAB-TECH CONNECTIONS INCLUDE GASKETS AND CLAMPS OR HARDWARE AS REQUIRED FOR INSTALLATION.

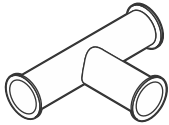
**METRIC EQUIVALENTS ARE SHOWN IN PARENTHESIS & ITALICS ( MILLIMETERS OR AS NOTED )**

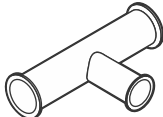
REMARKS:

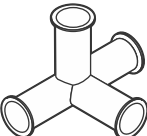
COMPANY / JOB REFERENCE:

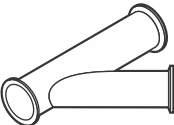


EZ Tees & Laterals

TEE	FITTING NUMBER	PART NUMBER	QTY	DESCRIPTION
		<b>02T02</b>		2" (50.8) DIA LINE - 2" (50.8) DIA TEE
		<b>03T03</b>		3" (76.2) DIA LINE - 3" (76.2) DIA TEE

REDUCING TEE	FITTING NUMBER	PART NUMBER	QTY	DESCRIPTION
		<b>03T02</b>		3" (76.2) DIA LINE - 2" (50.8) DIA TEE

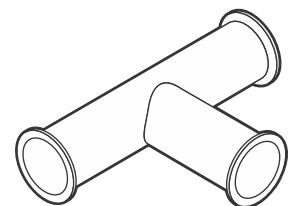
DOUBLE TEE	FITTING NUMBER	PART NUMBER	QTY	DESCRIPTION
		<b>2T2T2</b>		2" (50.8) DIA DOUBLE TEE

LATERAL	FITTING NUMBER	PART NUMBER	QTY	DESCRIPTION
		<b>02Y02</b>		2" (50.8) DIA LINE - 45° 2" (50.8) DIA TEE
		<b>03Y03</b>		3" (76.2) DIA LINE - 45° 3" (76.2) DIA TEE

- NOTES:** 1. REFER TO THE CATALOG FOR SPECIFIC DETAILS AND DIMENSIONS.  
 2. ALL DUCT FITTINGS WITH STANDARD FAB-TECH CONNECTIONS INCLUDE GASKETS AND CLAMPS OR HARDWARE AS REQUIRED FOR INSTALLATION.

**METRIC EQUIVALENTS ARE SHOWN IN PARENTHESIS & ITALICS ( MILLIMETERS OR AS NOTED )**

REMARKS:



COMPANY / JOB REFERENCE:

90° ELBOW



FITTING NUMBER	PART NUMBER	QTY	DESCRIPTION
	<b>PZE02</b>		2" (50.8) DIA 90° ELBOW
	<b>PZE03</b>		3" (76.2) DIA 90° ELBOW

45° ELBOW



FITTING NUMBER	PART NUMBER	QTY	DESCRIPTION
	<b>PZ502</b>		2" (50.8) DIA 45° ELBOW
	<b>PZ503</b>		3" (76.2) DIA 45° ELBOW

30° ELBOW



FITTING NUMBER	PART NUMBER	QTY	DESCRIPTION
	<b>PZ302</b>		2" (50.8) DIA 30° ELBOW
	<b>PZ303</b>		3" (76.2) DIA 30° ELBOW

- NOTES:**
1. REFER TO THE CATALOG FOR SPECIFIC DETAILS AND DIMENSIONS.
  2. ALL DUCT FITTINGS WITH STANDARD FAB-TECH CONNECTIONS INCLUDE GASKETS AND CLAMPS OR HARDWARE AS REQUIRED FOR INSTALLATION.

**METRIC EQUIVALENTS ARE SHOWN IN PARENTHESIS & ITALICS ( MILLIMETERS OR AS NOTED )**

REMARKS:



COMPANY / JOB REFERENCE:

REDUCER  
CONCENTRIC



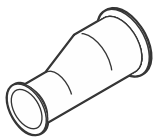
FITTING NUMBER	PART NUMBER	QTY	DESCRIPTION
	<b>PCA42F</b>		4" (101.6) TO 2" (50.8) DIA EZ CREducer
	<b>PCA43F</b>		4" (101.6) TO 3" (76.2) DIA EZ REDUCER
	<b>PCA32F</b>		3" (76.2) TO 2" (50.8) DIA EZ REDUCER

REDUCER  
CONCENTRIC  
ANGLE RING  
TO EZ CLAMP



FITTING NUMBER	PART NUMBER	QTY	DESCRIPTION
	<b>PCA42R</b>		4" (101.6) RING TO 2" (50.8) DIA EZ REDUCER
	<b>PCA43R</b>		4" (101.6) RING TO 3" (76.2) DIA EZ REDUCER
	<b>PCA32R</b>		3" (76.2) RING TO 2" (50.8) DIA EZ REDUCER

REDUCER  
ECCENTRIC



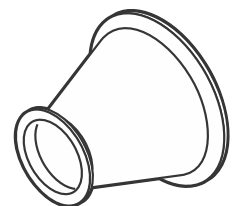
FITTING NUMBER	PART NUMBER	QTY	DESCRIPTION
	<b>PEA42F</b>		4" (101.6) TO 2" (50.8) DIA EZ REDUCER
	<b>PEA43F</b>		4" (101.6) TO 3" (76.2) DIA EZ REDUCER
	<b>PEA32F</b>		3" (76.2) TO 2" (50.8) DIA EZ REDUCER

- NOTES:** 1. REFER TO THE CATALOG FOR SPECIFIC DETAILS AND DIMENSIONS.  
 2. ALL DUCT FITTINGS WITH STANDARD FAB-TECH CONNECTIONS INCLUDE GASKETS AND CLAMPS OR HARDWARE AS REQUIRED FOR INSTALLATION.

**METRIC EQUIVALENTS ARE SHOWN IN PARENTHESIS & ITALICS ( MILLIMETERS OR AS NOTED )**

REMARKS:

COMPANY / JOB REFERENCE:



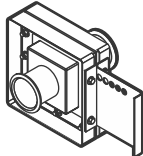
EZ Damper Blastgate, Field Flange, End Cap

DAMPER



FITTING NUMBER	PART NUMBER	QTY	DESCRIPTION
	<b>PZD02</b>		2" (50.8) DIA ISOLATION EZ DAMPER
	<b>PZD03</b>		3" (76.2) DIA ISOLATION EZ DAMPER

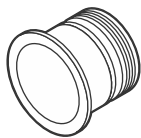
BLASTGATE



FITTING NUMBER	PART NUMBER	QTY	DESCRIPTION
	<b>PZB02</b>		2" (50.8) DIA HORIZONTAL EZ BLASTGATE
	<b>PZB03</b>		3" (76.2) DIA HORIZONTAL EZ BLASTGATE
	<b>PZB02V</b>		2" (50.8) DIA VERTICAL EZ BLASTGATE
	<b>PZB03V</b>		3" (76.2) DIA VERTICAL EZ BLASTGATE

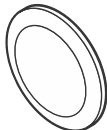
FIELD  
INSTALLED  
STRAIGHT  
DUCT EZ  
FLANGE

REPLACEMENT FT FLANGE FOR 2" (50.8) & 3" (76.2) DIAMETER STRAIGHT DUCT MODIFIED TO LENGTH IN THE FIELD, NOT DESIGNED FOR EZ ELBOWS, TEES OR REDUCERS - REFER TO INSTALLATION AND ASSEMBLY GUIDE



FITTING NUMBER	PART NUMBER	QTY	DESCRIPTION
	<b>HTB02</b>		2" (50.8) DIA. EZ FIELD FLANGE
	<b>HTB03</b>		3" (76.2) DIA. EZ FIELD FLANGE

END CAP



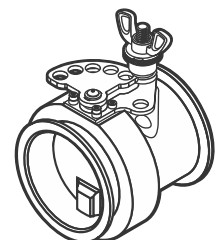
FITTING NUMBER	PART NUMBER	QTY	DESCRIPTION
	<b>PZC02</b>		2" (50.8) DIA EZ CAP
	<b>PZC03</b>		3" (76.2) DIA EZ CAP

- NOTES:** 1. REFER TO THE CATALOG FOR SPECIFIC DETAILS AND DIMENSIONS.  
 2. ALL DUCT FITTINGS WITH STANDARD FAB-TECH CONNECTIONS INCLUDE GASKETS AND CLAMPS OR HARDWARE AS REQUIRED FOR INSTALLATION.

**METRIC EQUIVALENTS ARE SHOWN IN PARENTHESIS & ITALICS ( MILLIMETERS OR AS NOTED )**

REMARKS:

COMPANY / JOB REFERENCE:



EZ Clamps & Gaskets

CLAMP KIT  
2" (50.8) & 3" (76.2)



FITTING NUMBER	PART NUMBER	QTY	DESCRIPTION
	<b>CL002KT</b>		2" (50.8) CLAMP AND DIE CUT PTFE GASKET
	<b>CL003KT</b>		3" (76.2) CLAMP AND DIE CUT PTFE GASKET

CLAMP  
2" (50.8) & 3" (76.2)



FITTING NUMBER	PART NUMBER	QTY	DESCRIPTION
	<b>CL002</b>		2" (50.8) CLAMP ( 1 PER JOINT )
	<b>CL003</b>		3" (76.2) CLAMP ( 1 PER JOINT )

DIE CUT GASKET  
2" (50.8) & 3" (76.2)



FITTING NUMBER	PART NUMBER	QTY	DESCRIPTION
	<b>GAS11*</b>		2" (50.8) DIE CUT GASKET ( 1 PER JOINT )
	<b>GAS13*</b>		3" (76.2) DIE CUT GASKET ( 1 PER JOINT )

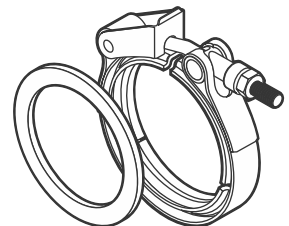
\*ADHESIVE ON ONE SIDE

- NOTES:** 1. REFER TO THE CATALOG FOR SPECIFIC DETAILS AND DIMENSIONS.  
2. ALL DUCT FITTINGS WITH STANDARD FAB-TECH CONNECTIONS INCLUDE GASKETS AND CLAMPS OR HARDWARE AS REQUIRED FOR INSTALLATION.

**METRIC EQUIVALENTS ARE SHOWN IN PARENTHESIS & ITALICS ( MILLIMETERS OR AS NOTED )**

REMARKS:

COMPANY / JOB REFERENCE:



Fab-Tech Flange Adapters

KF FLANGE ADAPTER



FITTING NUMBER	PART NUMBER	QTY	DESCRIPTION
	<b>FTK25</b>		2" (50.8) TO 25mm ADAPTER
	<b>FTK40</b>		2" (50.8) TO 40mm ADAPTER
	<b>FTK50</b>		2" (50.8) TO 50mm ADAPTER

DWYER PITOT ADAPTER



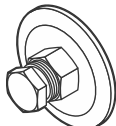
FITTING NUMBER	PART NUMBER	QTY	DESCRIPTION
	<b>FTPT2</b>		2" (50.8) PITOT ADAPTER
	<b>FTPT3</b>		3" (76.2) PITOT ADAPTER

SPRINKLER ADAPTER



FITTING NUMBER	PART NUMBER	QTY	DESCRIPTION
	<b>FTSP2</b>		2" (50.8) SPRINKLER ADAPTER - 1" NPT
	<b>FTSP3</b>		3" (76.2) SPRINKLER ADAPTER - 1" NPT

SWAGELOK® ADAPTER



FITTING NUMBER	PART NUMBER	QTY	DESCRIPTION
	<b>FTS18</b>		2" (50.8) TO 1/8" (3.18) SWAGELOK®
	<b>FTS14</b>		2" (50.8) TO 1/4" (6.35) SWAGELOK®
	<b>FTS38</b>		2" (50.8) TO 3/8" (9.53) SWAGELOK®
	<b>FTS12</b>		2" (50.8) TO 1/2" (12.7) SWAGELOK®
	<b>FTS34</b>		2" (50.8) TO 3/4" (19.05) SWAGELOK®

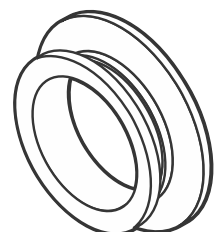
**NOTES:** 1. INSTALLATION OF WELDED FAB-TECH FLANGE CAN BE FOUND ON THE **STRAIGHT DUCT WITH TEST PORT / DRAIN** ORDER SHEET. REFER TO THE CATALOG FOR SPECIFIC DETAILS AND FOR FITTING DIMENSIONS.

2. ALL DUCT FITTINGS WITH STANDARD FAB-TECH CONNECTIONS INCLUDE GASKETS AND CLAMPS OR HARDWARE AS REQUIRED FOR INSTALLATION.

**METRIC EQUIVALENTS ARE SHOWN IN PARENTHESIS & ITALICS ( MILLIMETERS OR AS NOTED )**

REMARKS:

COMPANY / JOB REFERENCE:





Fab-Tech Flange Adapters

NPT NIPPLE ADAPTER



FITTING NUMBER	PART NUMBER	QTY	DESCRIPTION
	<b>FTN18</b>		2" (50.8) FT FLANGE TO 1/8" (3.18) MALE NPT
	<b>FTN14</b>		2" (50.8) FT FLANGE TO 1/4" (6.35) MALE NPT
	<b>FTN38</b>		2" (50.8) FT FLANGE TO 3/8" (9.53) MALE NPT
	<b>FTN12</b>		2" (50.8) FT FLANGE TO 1/2" (12.7) MALE NPT
	<b>FTN34</b>		2" (50.8) FT FLANGE TO 3/4" (19.05) MALE NPT
	<b>FTN01</b>		2" (50.8) FT FLANGE TO 1" (25.4) MALE NPT
	<b>FTN15</b>		2" (50.8) FT FLANGE TO 1-1/2" (38.1) MALE NPT
	<b>FTN02</b>		2" (50.8) FT FLANGE TO 2" (50.8) MALE NPT
	<b>FTN03</b>		3" (76.2) FT FLANGE TO 3" (76.2) MALE NPT
	<b>FTN04</b>		4" (101.6) FT FLANGE TO 4" (101.6) MALE NPT

NPT FEMALE COUPLER ADAPTER



FITTING NUMBER	PART NUMBER	QTY	DESCRIPTION
	<b>FTF18</b>		1/8" (3.18) COATED ON FLANGE FACE ONLY
	<b>FTF14</b>		1/4" (6.35) COATED ON FLANGE FACE ONLY
	<b>FTF38</b>		3/8" (9.53) COATED ON FLANGE FACE ONLY
	<b>FTF12</b>		1/2" (12.7) COATED ON FLANGE FACE ONLY
	<b>FTF34</b>		3/4" (19.05) COATED ON FLANGE FACE ONLY
	<b>FTF01</b>		1" (25.4) COATED ON FLANGE FACE ONLY
	<b>FTF15</b>		1-1/2" (38.1) COATED ON FLANGE FACE ONLY
	<b>FTF02</b>		2" (50.8) COATED ON FLANGE FACE ONLY

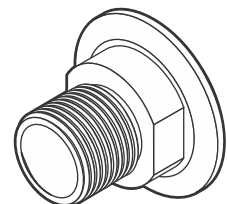
**NOTES:** 1. INSTALLATION OF WELDED FAB-TECH FLANGE CAN BE FOUND ON **STRAIGHT DUCT WITH TEST PORT / DRAIN** ORDER SHEET. REFER TO THE CATALOG FOR SPECIFIC DETAILS AND FOR FITTING DIMENSIONS.

2. ALL DUCT FITTINGS WITH STANDARD FAB-TECH CONNECTIONS INCLUDE GASKETS AND CLAMPS OR HARDWARE AS REQUIRED FOR INSTALLATION.

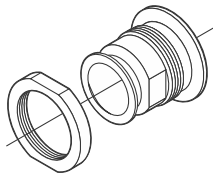
**METRIC EQUIVALENTS ARE SHOWN IN PARENTHESIS & ITALICS ( MILLIMETERS OR AS NOTED )**

REMARKS:

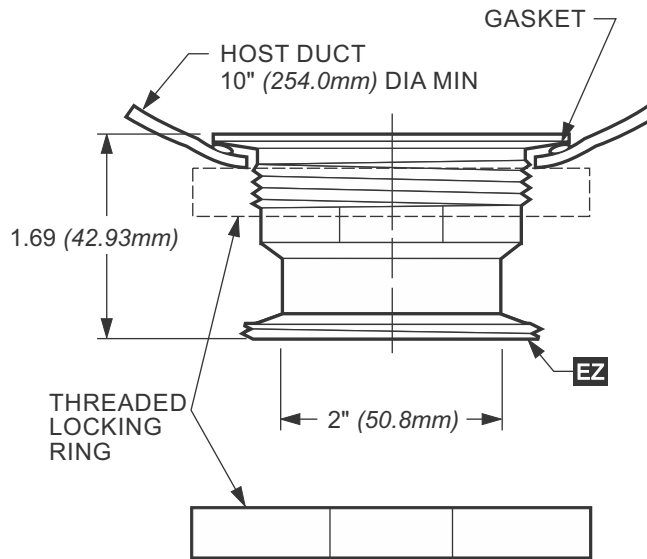
COMPANY / JOB REFERENCE:



Field Installed 2" (50.8) Fab-Tech Flange



FITTING NUMBER	PART NUMBER	QTY	-D2- DUCT DIA	DESCRIPTION
	FTFL2FI		2" (50.8mm)	DIA FT FLANGE

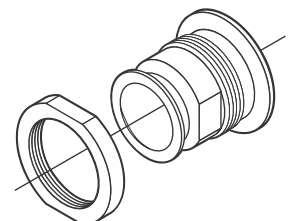


- NOTES:**
1. INSTALLATION OF THIS FITTING REQUIRES DUCT DISASSEMBLY AND THE USE OF A SPECIALIZED HYDRAULIC SWAGE KIT (PN TPS02). REFER TO THE INSTALLATION AND ASSEMBLY GUIDE FOR SPECIFIC INSTRUCTIONS.
  2. ALL DUCT FITTINGS WITH STANDARD FAB-TECH CONNECTIONS INCLUDE GASKETS AND CLAMPS OR HARDWARE AS REQUIRED FOR INSTALLATION.

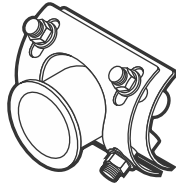
**METRIC EQUIVALENTS ARE SHOWN IN PARENTHESIS & ITALICS ( MILLIMETERS OR AS NOTED )**

REMARKS:

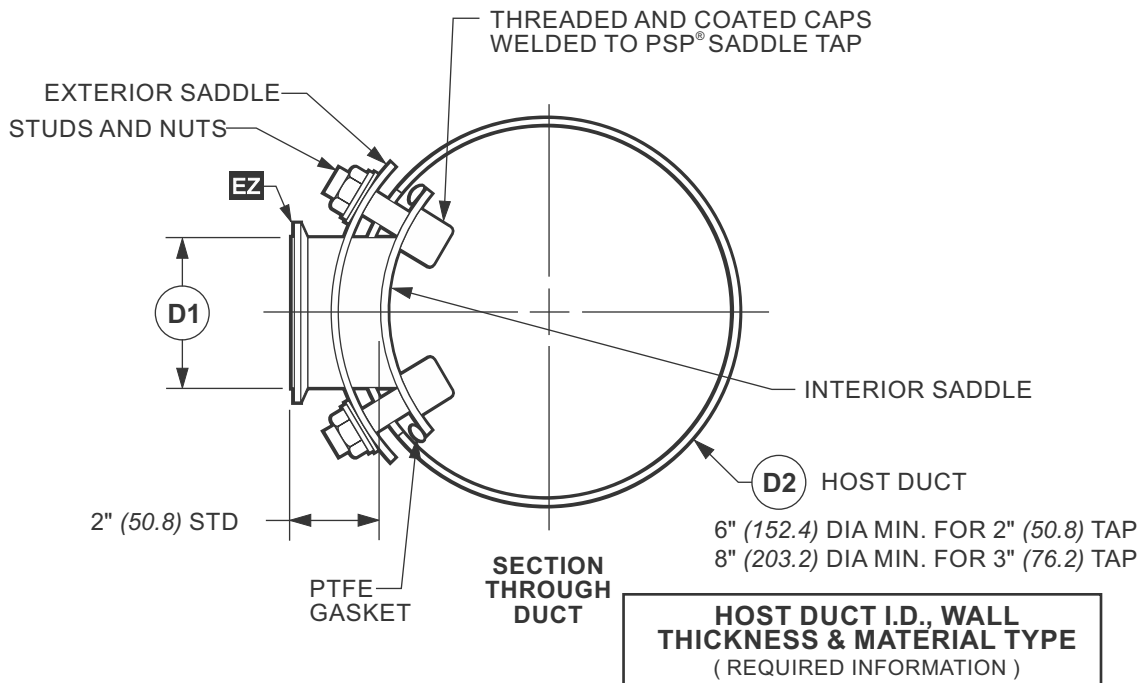
COMPANY / JOB REFERENCE:



Field Installed Fab-Tech Flange Saddle Tap



FITTING NUMBER	PART NUMBER	QTY	-D2- DUCT DIA.	DESCRIPTION
	<b>PZQ02</b>			2" (50.8) EZ TAP
HOST DUCT I.D., WALL THICKNESS & TYPE: _____				
	<b>PZQ03</b>			3" (76.2) EZ TAP
HOST DUCT I.D., WALL THICKNESS & TYPE: _____				

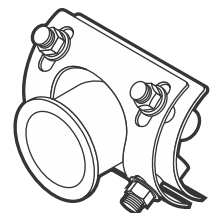


- NOTES:**
1. FAB-TECH'S INSTALLED PERMASHIELD SADDLE TAP WILL ALLOW A NEW 2" (50.8) DIA. BRANCH TO BE INSTALLED IN A 6" (152.4) AND LARGER DIAMETER DUCT OR A NEW 3" (76.2) DIAMETER BRANCH TO BE INSTALLED IN AN 8" (203.2) AND LARGER DIAMETER DUCT WITHOUT SHUTTING DOWN THE EXHAUST SYSTEM. REFER TO THE INSTALLATION AND ASSEMBLY GUIDE FOR DETAILED INSTRUCTIONS.
  2. ALL DUCT FITTINGS WITH STANDARD FAB-TECH CONNECTIONS INCLUDE GASKETS AND CLAMPS OR HARDWARE AS REQUIRED FOR INSTALLATION.

**METRIC EQUIVALENTS ARE SHOWN IN PARENTHESIS & ITALICS ( MILLIMETERS OR AS NOTED )**

REMARKS:

COMPANY / JOB REFERENCE:



PART NUMBER	QTY	DESCRIPTION
<b>WISE2</b>		SAW GUIDE FOR CUTTING 2" (50.8) DUCT
<b>WISE3</b>		SAW GUIDE FOR CUTTING 3" (76.2) DUCT
<b>PIPE-CUTTER</b>		RIDGID MODEL S3 HEAVY DUTY PIPE CUTTER
<b>D0700</b>		CUSTOM PRESSING WHEEL ADAPTER
<b>PEXTO</b>		PEXTO MODEL 622 HAND FLANGER - ORDER 2 ROLLING DIES
<b>PEXTO DIE</b>		CUSTOM ROLLING DIE FOR PEXTO HAND FLANGER ( NOT A SET )
<b>EZVGRIP</b>		EZ PLIERS
<b>RKITPSP</b>		PSP FIELD REPAIR KIT ( DIRECTIONS & PSP SHEET ONLY )
<b>HEATGUN</b>		BOSCH 120V HEAT GUN
<b>DBLCUT</b>		MILWAUKEE 120V DOUBLE CUT SHEARS #6850
<b>SPARK-DES</b>		D.E. STERNS SPARK TESTER
<b>VOLT-CONVERT</b>		VOLTAGE CONVERTER, 220-110, 1000V, 60HZ
<b>TPS01</b>		MANUAL KIT FOR 1" (25.4) FIELD INSTALLED NIPPLE
<b>TPS02</b>		HYDRAULIC KIT FOR 1" (25.4), 1-1/2" (38.1), & 2" (50.8) FIELD INSTALL NIPPLE AND FOR 2" (50.8) FIELD INSTALL FAB-TECH FLANGE

**NOTES:** 1. ALL DUCT FITTINGS WITH STANDARD FAB-TECH CONNECTIONS INCLUDE GASKETS AND CLAMPS OR HARDWARE AS REQUIRED FOR INSTALLATION.

**METRIC EQUIVALENTS ARE SHOWN IN PARENTHESIS & ITALICS ( MILLIMETERS OR AS NOTED )**

REMARKS:

COMPANY / JOB REFERENCE:

