

SPECIFICATION / MODEL YEAR 2026

# FORD F-150 LARIAT



[f150europe.com](http://f150europe.com)



# QUICK FACTS

---

## Available Engine Options

### 5.0L PFDI V8

406 Horsepower / 555 Nm of Torque / Version Code: W5L260029

### 3.5L PowerBoost® Full Hybrid

436 Horsepower / 772 Nm of Torque / Version Code: W5L260028

## Configuration

SuperCrew® with 5.5' box and 145" WB

## Drivetrain

Electronic Ten-Speed Auto Transmission –  
4x4 Two-Speed Torque-on-Demand Transfer Case

## Final Gear Ratio

3.73 with E-locker

## Fuel Consumption

Lariat 5.0L V8: 14.36 L/100 km

Lariat 3.5L FHEV: 10.16 L/100 km

## CO<sub>2</sub> Emission

Lariat 5.0L V8: 342 g/km

Lariat 3.5L FHEV: 242 g/km

---

## Exterior Colours



Agate Black Metallic



Antimatter Blue Metallic



Avalanche



Carbonized Grey Metallic



Iconic Silver Metallic



Oxford White



Ruby Red Metallic  
Tinted Clearcoat



Star White Metallic  
Tri-coat

---

## Interior

BB – Black Onyx Interior with ActiveX® Bucket Seats



# KEY HIGHLIGHTS

## Technical Highlights

- Head-Up Display
- 360-degree Camera with Front and Rear Parking Sensors
- B&O® Unleashed by Bang & Olufsen® (14 Speakers incl. Subwoofer)
- Remote Start System with Remote Tailgate Release
- Adaptive Cruise Control
- 136L Extended Fuel Tank **V8**
- 4x4 Two-Speed Torque-on-Demand Transfer Case with Flat Tow Mode
- Intelligent Access with Push-Button Start (incl. Approach Detection)
- Pro Trailer Backup Assist™ and Pro Trailer Hitch Assist™
- Power Inverter – 2.4 kW Power-to-the-Box **H**

## Interior Highlights

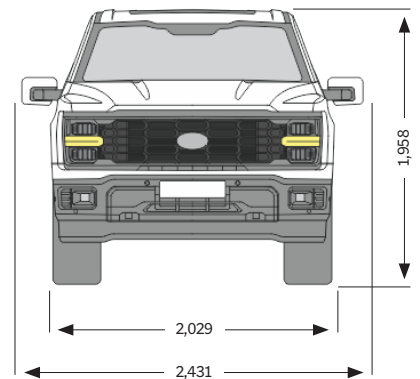
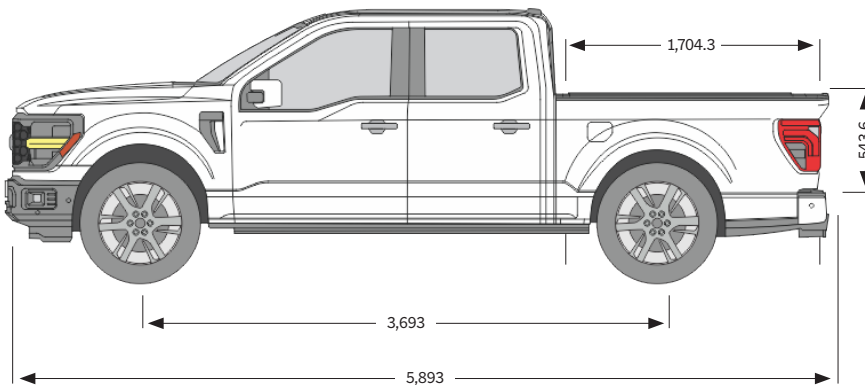
- 12" Digital Drivers Display and SYNC® 4 Infotainment
- 10-way Power Driver w/ Memory and 8-way Power Front Passenger Seat
- Heated and Ventilated Front Seats
- Second-Row Heated Seats
- Under-seat, lockable, fold-flat storage with partitions
- Wireless Apple CarPlay® and Android Auto™
- Navigation Center
- Twin Panel Moonroof (43V)
- Dual-zone Electronic Automatic Temperature Control
- Wireless Charger
- Interior Work Surface with Stowable Shifter
- Heated Steering Wheel
- Power-Sliding Rear-Window with Privacy Tint and Defrost

## Exterior Highlights

- Pro Access Tailgate
- Black Appearance Package
- FX4® Off-Road Package (195)
- Dual Exhaust with Black Tips
- 20" Black Aluminum Wheels
- Power Tailgate
- 6" Extended Running Boards
- LED Projector with Dynamic Bending Headlamps
- 360-degree Zone Lighting with Additional Box Lights
- Four Pick-Up Box Tie-Down Plates
- Bedliner – Tough Bed® Spray-In (96W)
- Bed Storage Box
- Wheel Well Liner (96L)

# DIMENSIONS

**Length:** 5,893 mm / **Width:** 2,029 mm / **Height:** 1,958 mm



**H** Only applicable to 3.5L FHEV

**V8** Only applicable to 5.0L V8

# INCLUDED PACKAGES

Packages refer to factory-installed equipment groups and option packages that come pre-configured with the vehicle. They enhance the vehicle beyond its standard features, adding additional functionality, styling, or performance upgrades as specified in the list below.

## Equipment Group – High (502A)

6" Extended Running Boards

Second-Row Heated Seats

Head-Up Display

B&O® Unleashed Sound System by Bang & Olufsen®  
(14 Speakers incl. Subwoofer)

Mobile Office Package

LED Projector with Dynamic Bending Headlamps

Heated and Ventilated Front Seats

Remote Start System with Remote Tailgate Release

Adaptive Cruise Control

10-way Power Driver and 8-way Power  
Front Passenger Seat

## Mobile Office Package (50M)

Interior Work Surface

Flowthrough Console – Vinyl Lid

Under Seat Storage

Partitioned Lockable Fold-Flat Storage

Onboard 400 W outlet

Wireless Charger

## Bed Utility Package (68L)

Pro Access Tailgate

Power Tailgate

Box Light

Four Pickup Box Tie-Down Plates

## Black Appearance Package (195)

20" Six-Spoke Black Alloy Wheels

Dual Exhaust with Black Tips

Black Onyx Interior Trim Color

Exterior Mirror Finish – Body-Color

Bumper – Front – Painted Body-Color

## FX4 Off-Road Package (55A)

Floor Mats – Tray-style All-Weather Rubber Mats Front/Rear  
(Less Carpet Mats)

Bed Decal – FX4®

Premium Off-Road-Tuned Front/Rear Shock Absorbers

3.73 Final Drive Ratio w/ Electronic Locking Differential

Axle Size – 9.75"

Hill Descent Control™

Skid Plates

## Twin Panel Moonroof (43V)

## Wheel Well Liner (96L)

## Bedliner Tough Bed® Spray-In (96W)



# EXTERIOR FEATURES

## Exterior

Active Bumper Air Dam – Front

Wheel Well Liner

Belt Moldings – Black

Bumper – Front – Painted Body-Color

Bumper – Rear – Painted Body-Color

Bed Decal – FX4® Off-Road

Front Fender Badge – F-150 Lariat®

Door Badge – PowerBoost®



Mirrors – Dual Power-folding, Power Glass Sideview Mirrors with Heat, Turn Signal, Memory, Auto-Dimming Feature (Driver's Side), High Intensity LED Security Approach Lamps

Exterior Mirror Finish – Painted Body-color

Running Boards – Extended Length Dark Accent Color

Gloss Black Painted Lariat® Grille

Body-Color Handles – Door, Tailgate and Bezel

Front License Plate Bracket

Skid Plates

## Exterior Lighting

LED Projector with Dynamic Bending Headlamps

Daytime Running Lamps (DRL) (On/Off Cluster Controllable)

Auto High-beam Headlamps

Zone Lighting – 360-Degree Exterior Illumination

LED Sideview Mirror Spotlights – Left/Right Hand Spotlights

Fog Lamps – Front/Rear

Trailer Hook Up Light – Fixed

LED Taillamps

LED Cargo Light – Integrated with Center High Stop Lamp

## Glass / Visibility

Twin Panel Moonroof

Electronic Rear-Window Defroster

Power-Sliding Rear Window

Acoustic Laminated Windscreen

Rain-Sensing Wipers

Rear Privacy Glass

Power Front/Rear Side Windows

## Bed Utility

Pro Access Tailgate

Four Pickup Box Tie-Down Plates

Powered Tailgate – Key-operated Release and Close

Bed Storage Box

Hooks – Four Standard Tie-downs, Pickup Box

Tailgate – Removable with Key Lock

Bedliner – Tough Bed® Spray-In

# INTERIOR FEATURES

---

## Instrument Panel and Console

SYNC® 4 12" LCD Capacitive Touchscreen with Wireless Apple CarPlay® and Android Auto™ Compatibility

Drivers Display – 12" Productivity Screen

Navigation Center

Head-Up Display

Dual-Zone Electronic Automatic Temperature Control (DEATC)

Heated Leather Wrapped Steering Wheel

Interior Work Surface

Wireless Charger

Leather Wrapped E-Shift Gear Lever

Glove Box Lights

Ice Blue Color Ambient Lighting

Speedometer – KPH/MPH

Overhead Console

Centre Console Lid – Vinyl

Auto-Dimming Rearview Mirror

Sunvisor – Dual illuminated – Driver and Passenger

Universal Garage Door Opener (HomeLink Compatible)

Compass Display in Instrument Cluster

## Seats and Trim

Heated and ventilated 10-way power driver and multi-adjustable power front passenger seat (power lumbar driver/passenger) and memory driver's seat.

Front Seats – Bucket Seats 40/Console/40

Lariat® Bucket Seats with ActiveX® Seating Material

Black Onyx Interior Trim Color

Front Head Rests – 2-way Adjustable

Seat – Rear – Heated Outboard Seats

Seat – Rear – 60/40 flip-up split seat with elongated cushion (SuperCrew®)

Map Pockets – Driver Seat Back Mounted

Map Pockets – Passenger Seat Back Mounted

Rear Center Armrest with Cupholder

Door Sill Scuff Plates

Interior Floor – Dark Carpeting

Floor mats – Tray-style All-Weather Rubber Mats Front/Rear (Less Carpet Mats)

Under-seat, lockable, fold-flat storage with partitions

Pedals, Power-Adjustable w/Memory

Steering Column – Manual Tilt/Telescoping

# MECHANICAL FEATURES

## Engine

3.5L PowerBoost® Full Hybrid V6 Engine	<b>H</b>
5.0L V8 with Auto Start-Stop Technology	<b>V8</b>
Engine Fan – Brushless 800W	
Exhaust – Unique Dual Outlet	
Unleaded Fuel Capability	
Gas – Electric/Hybrid	<b>H</b>
3.73 Final Drive Ratio w/ E-Locking Differential	
Axle Size – 9.75"	

## Transmission & Transfer Case

Electronic Ten-Speed Automatic	
Hybrid Electronic Ten-Speed Automatic Transmission	<b>H</b>
SelectShift® Automatic Transmission with Progressive Range Select	
4x4 Two-Speed Transfer Case with Torque-on-Demand	
Selectable 4WD with High, Low, and Auto Modes	

## Suspension & Brakes

Premium Off-Road-Tuned Front/Rear Shock Absorbers	
Standard Duty suspension	
Springs, Front – Coil	
Springs, Rear – Leaf, Two-Stage Variable Rate	
Axle, Front – Independent Front Suspension (IFS)	
Electric Parking Brake	
Brakes – 4-Wheel Disc with ABS	

## Towing

Front Recovery Hooks – Two (2)	
EU-approved Tow Hook	
Class IV Trailer Hitch (incl. Smart Trailer Tow Connector, 13-pin connector (ISO 11446))	
Trailer Tow Lighting Module	

## Fuel System

136L Extended Range Fuel Tank	<b>V8</b>
115L Standard Range Fuel Tank	<b>H</b>
Easy Fuel Capless Fuel-Filler	

## Power Supply / Other Mechanical

ProPower – 2.4 kW Power-to-the-Box (US-style power outlet only)	<b>H</b>
Onboard 400 W outlet (US-style power outlet only)	<b>V8</b>
Stop/Start System	
Remote Starter	
Horn – Dual-Note	
H7 Battery	
Standard Jack	

# SAFETY / DRIVING ASSISTANCE FEATURES

## Driver Information / Driving Assistance

Trailer Hitch Guide

Pro Trailer Backup Assist™

Collision Mitigation System

Post-Collision Braking

Adaptive Cruise Control

Blindspot Monitoring (BLIS®) with Trailer Coverage

Lane Centering Assistance with Lane Changing Warning

Reverse Sensing System

Front Parking Aid

Reverse Brake Assist with Cross-Traffic Alert

Towing Vision System (360° Camera + Towing)

Outside Temperature Display

Emergency Assistance

Hill Descent Control™

Selectable Drive Modes: Normal, ECO, Sport, Tow/Haul, Slippery, Deep Snow/Sand, Mud/Rut

Airbags – Front and Seat-Mounted Side Airbag, Driver/Passenger. Safety Canopy™ Side-Curtain Airbags (1st and 2nd row)

## Security and Locking

Intelligent Access with Push-Button Start (incl. Approach Detection)

SecuriLock® Passive Anti-Theft System (PATS) with Electronically Coded Ignition Key

Panic Alarm

Remote Keyless Entry with Power Door Locks and Auto-Lock Feature

## Audio

B&O® Unleashed by Bang & Olufsen® with HD Radio™ (14 Speakers incl. Subwoofer)

SYNC® 4 with Enhanced Voice Recognition

Active Noise Control



Sound Insulation Pack – Level 1

Export Radio Frequency

# WHEELS & TIRES

20" Gloss Black Painted Aluminum Wheels

275/60/20 BSW All-Terrain (4x4) Tires

Black Ford Center Caps

Bright Wheel Lug Nuts

Tire Pressure Sensors – 433 MHZ Low

## Spare Wheels & Tires

Spare Wheel – 18" Steel #1

Spare Tire – 265/70/18 BSW All-Terrain (A/T)

Spare Tire Carrier – Rear Under Frame

# HEDIN US MOTOR

Vehicles may be shown with optional equipment. Features may be offered only in combination with other options or subject to additional ordering requirements/limitations. Dimensions shown may vary due to optional features and/ or production variability. Information is provided on an "as is" basis and could include technical, typographical or other errors. Ford & Hedin US Motor makes no warranties, representations, or guarantees of any kind, express or implied, including but not limited to, accuracy, currency, or completeness, the operation of the information, materials, content, availability, and products. Hedin US Motor reserves the right to change product specifications, pricing and equipment at any time without incurring obligations.

Fuel consumption (combined): 10.15-16.44 l/100km; CO2 emissions (combined): 242-342 g/km. Consumption and emission figures are calculated according to Regulation (EC) 692/2008 and comply with California Code regulations. Note: values may not fully represent real-world driving conditions.

Published by Hedin US Motor AB. ©2026 Hedin US Motor AB