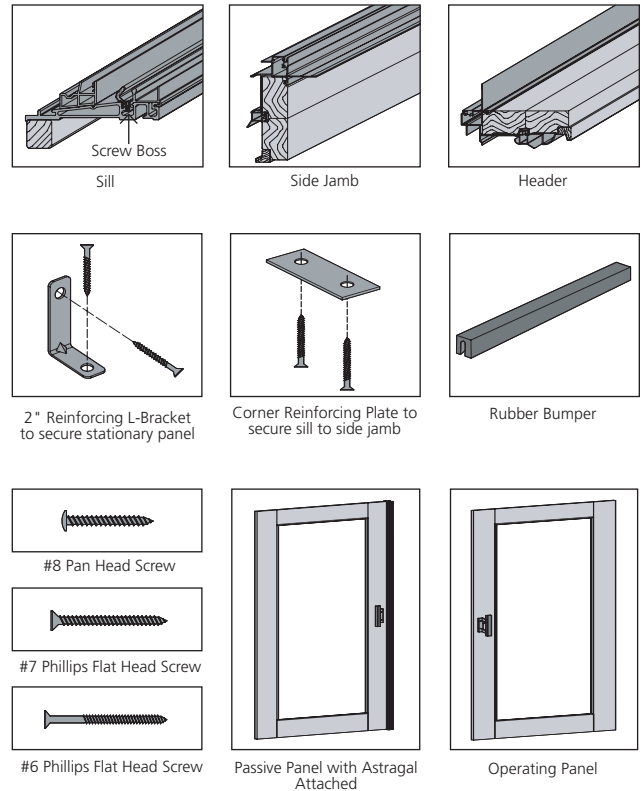


SUPPLEMENTAL ASSEMBLY INSTRUCTIONS

PACKAGE CONTENTS

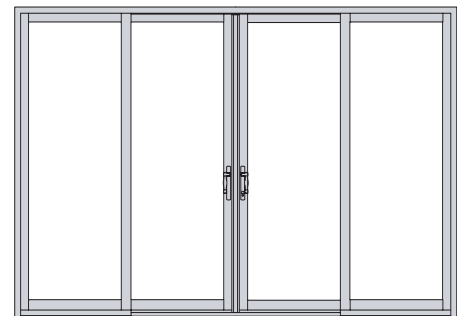
- (1) Sill
 - (2) Side Jambs
 - (1) Header
 - (1) Operating Panel
 - (1) Passive Panel with Astragal Attached
 - (2) Stationary Panels
 - (2) Handle Set with Instructions
 - (12) #8 x 1 1/2" Pan Head Screws to secure the sill
 - (10) #7 x 2" Phillips Flat Head Twin Fast 3/4" Thread, Antique Bronzed, Hardened Screws
 - (6) #6 x 1 1/4" Phillips Flat Head Zinc Plated Screws
 - (4) 2" "L" Brackets to secure stationary panels at the sill
 - (4) #8 x 1" Pan Head Screws to secure the "L" Brackets
 - (2) 2" "L" Brackets to secure stationary panels at header
 - (2) Corner Reinforcing Plates to secure sill to side jamb
 - (2) #7 x 2" Screws - to secure side jamb to sill
 - (2) Rubber Bumpers
 - (1) Sill Nosing (to support sill after installation)
- For primed wood product,
- (2) #8x3" drywall screws
 - Weatherstrip for the side jambs
 - Wood Exterior Filler Block



Note: The illustrations show clad product only, but the instructions apply to primed wood product as well. For questions, call us at (800) JELD-WEN / (800) 535-3936.

NEEDED TOOLS & MATERIALS

- High quality silicone sealant
- Flat head screwdriver
- Phillips screwdriver



Quad Panel Sliding Patio Door

Do-It-Yourself

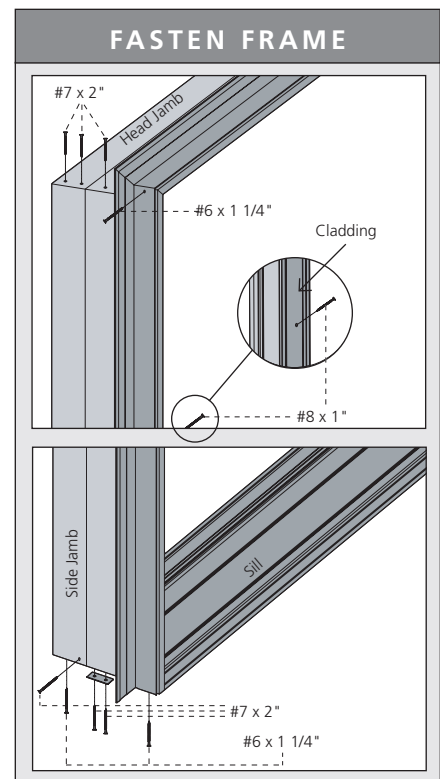
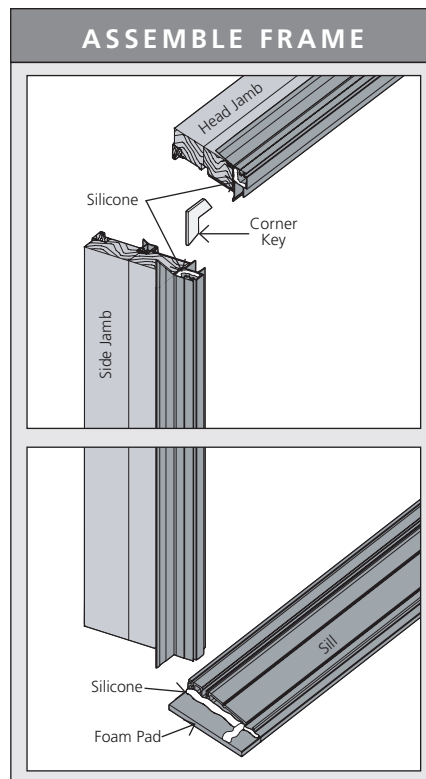
Technician

The advice offered herein should be reviewed and performed by a trained service provider. It is recommended that you consult with a competent and licensed construction contractor or building professional prior to taking any action. JELD-WEN disclaims any and all liability associated with the use and/or provision of these instructions. Any reliance upon the information or advice is at the risk of the party so relying. The information contained herein may be changed from time to time without notification.

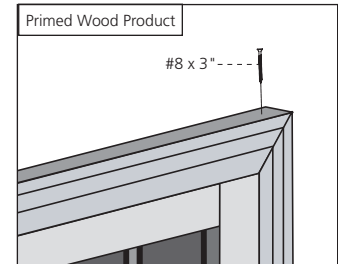
ASSEMBLE FRAME

The frame is already handed and is not field reversible.

1. Lay out frame components (exterior side up) in a large, flat workspace.
2. On the sill piece, apply a continuous bead of silicone at each end on the foam corner pads.
3. For primed wood product, also apply the weatherstrip (provided) to both side jambs.
4. For clad product,
 - On the header piece, apply silicone to the corners at the frame joints.
 - Insert a corner key at each upper frame corner.
5. Position the side jambs with the header. Position the sill piece with the side jambs.
6. Make sure the frame components are aligned at the corners. Screw the frame corners together with the #7 x 2" Phillips flat head screws and the #6 x 1 1/4" flat head screws provided. At the sill, use the corner reinforcing plate as shown.



7. Square up the sill corners by driving a #7x2" screw through the pilot hole at the bottom of each side jamb. The screws should engage the screw boss on the sill.
8. For clad product,
 - On interior side of frame:
 - Halfway up both side jambs in the exterior track, drive a #8 x 1" pan head screw through the cladding, into the frame.
- For primed product,
 - Fasten the exterior casing at the corners with #8x3" drywall screws provided. If using 3 1/2" or larger flat casing, two screws per corner are required.
9. Apply silicone to the inside and outside frame corners to seal the joints.



INSTALL PATIO DOOR

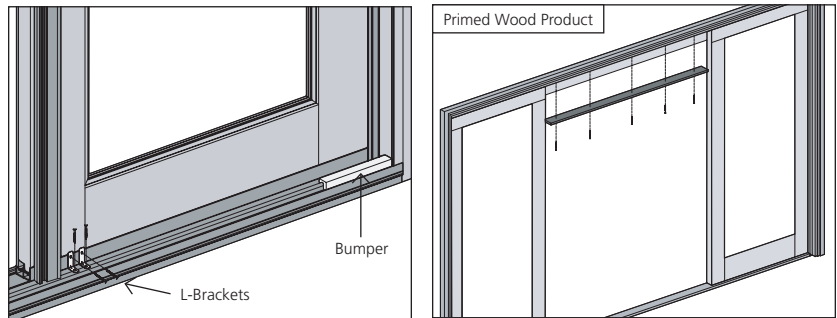
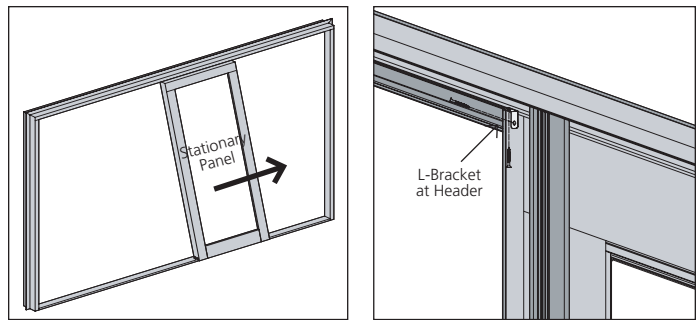
Use the JELD-WEN installation instructions attached to the product (also available at www.jeld-wen.com/resources) to install the patio door. Perform the following steps in conjunction with the installation instructions.

After the patio door frame is in the wall (rough opening) and properly shimmed,

- Fasten the patio door through the nailing fin 6" from the bottom corners.
- Install the stationary panels (as described below) to help square the frame.
- Continue with the JELD-WEN installation instructions.

INSTALL STATIONARY PANELS

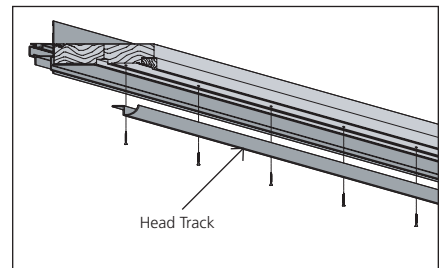
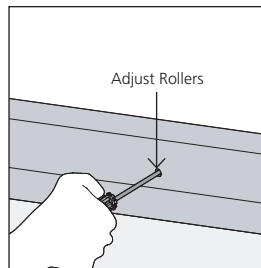
1. From the exterior, install both stationary panels starting in the center of the frame as follows:
 - Tip the top of the panel into the header track.
 - Swing the bottom of the panel up and over the sill track.
 - Slide the panel tightly up against the side jamb.
2. Use #8 x 1" pan head screws to secure the panels at the head with the L-bracket found in the handle package.
3. Attach the "L" brackets (pre-fastened to the sill) to the bottom of the panels.
4. Install the rubber bumper on the sill track next to each side jamb.
5. For primed wood product, screw the wood exterior filler block into the head jamb on the exterior track, between the stationary panels.



INSTALL OPERATING PANELS

Install the passive panel first, then the active panel. The passive panel has the astragal attached.

1. Remove the vinyl plugs covering the roller adjustment screws at both ends of the panel's bottom rail.
2. Lower the rollers as far as possible by turning the adjustment screws as shown below.
3. Remove the vinyl head track from the head jamb by loosening the #6 x 3/4" screws and pulling it out of the slot.



Note: Handling patio door panels can be heavy and awkward. Please use the help of other people while performing the next steps.

4. From the interior, set the panel's rollers onto the roller track at the sill and tip the panel up into the frame. Make sure the weatherstrip flap on the head hangs down against the outside face of the panel. Hold the panel in place until the head track is installed (step 8).
5. Raise the rollers on the panel and slide it all the way open.
6. Adjust the rollers for best operating height and reinstall the vinyl plugs covering the adjustment screws.
7. Install the active panel the same way. Hold the panel in place until step 8 is complete.
8. Replace the vinyl head track by threading it into the upper slot in the head jamb. Make sure to align it with the existing screw holes. Screw it into place at both ends of the quad door. Slide the door panels open all the way, then screw vinyl head track in place at center.
9. Install the handle set and strike plates using the instructions in the hardware package. Close the operating panels.

