



Thank you for selecting JELD-WEN® products. Attached are JELD-WEN's recommended installation instructions for Interior Pre-Hung hollow core, solid core, molded, and custom carved doors.

Read these installation instructions thoroughly before beginning. They are designed to work in most existing applications. However, existing conditions may require changes to these instructions. If changes are needed, they are made at the installer's risk. For installations other than indicated in these instructions, contact a building professional.

IMPORTANT INFORMATION & GLOSSARY

Not all door types may be installed into every wall condition in all areas. Consult your local building code official for applicable building codes and regulations. Local building code requirements supersede recommended installation instructions. Failure to install into a square, level and plumb condition could result in denial of warranty claims for operational or performance problems.

Note to Installer: Provide a copy of these instructions to the building owner. By installing this product, you acknowledge the terms and conditions of the limited warranty as part of the terms of the sale.

GLOSSARY

Head Jamb

The horizontal frame element at the top of the door

Pre-Hung Door

An assembly consisting of the door frame and door slab where the door slab is already installed, or hung, in the frame.

Side Jambs


The vertical frame elements on either side of the door

Slab

The operating part of the door assembly that swings open and closed inside a frame

Please allow sufficient time to properly prepare the rough opening, install the door, and ensure its proper operation.

| | | |
|---|--------------------------|--------------------|
| Estimated Install Time for New Construction | <input type="checkbox"/> | First Time: 1½ hr |
| | <input type="checkbox"/> | Experienced: ¾ hr |
| | <input type="checkbox"/> | Professional: ½ hr |



SAFETY & HANDLING

SAFETY

- Read and fully understand ALL manufacturers' instructions before beginning.
- Do not work alone. Two or more people are required. Use safe lifting techniques.
- Use caution when handling glass. Broken or cracked glass can cause serious injury.
- Wear protective gear (e.g. safety glasses, gloves, ear protection, etc.).
- Operate hand/power tools safely and follow manufacturer's operating instructions.

MATERIALS & DOOR HANDLING

- Make sure the slab is secured prior to installation.
- Heed material manufacturers' handling and application instructions.
- Do not put stress on joints, corners or frames.
- Store door in dry, well-ventilated area in vertical, leaning position to allow air circulation; do not stack horizontally or drag on the floor.
- Protect from exposure to direct sunlight during storage.
- Install only into vertical walls and when conditions are dry.

IF INJURY OCCURS, IMMEDIATELY SEEK MEDICAL ATTENTION!

NEEDED MATERIALS & TOOLS

MATERIALS

- 10d Finish nails
- 4d Finish nails
- Shims
- Wood putty
- Sandpaper
- Finishing materials
- 100% polyurethane sealant (for two piece frames)

Note! Follow all material manufacturers' instructions for proper use and compatibility.

TOOLS

- Hammer
- Tape measure
- Utility knife
- Level (4 ft. minimum recommended)
- Circular saw or jigsaw (for trimming jambs if necessary)
- Nail punch
- Screwdrivers

1

REMOVE PACKAGING & INSPECT DOOR

REMOVE PACKAGING

Remove shipping materials such as corner covers, shipping blocks or pads.

Note! Be sure to remove the shipping clips from the door before beginning the installation.

INSPECT DOOR

- Cosmetic damage
- Product squareness (diagonal measurements must be within 1/4" difference)

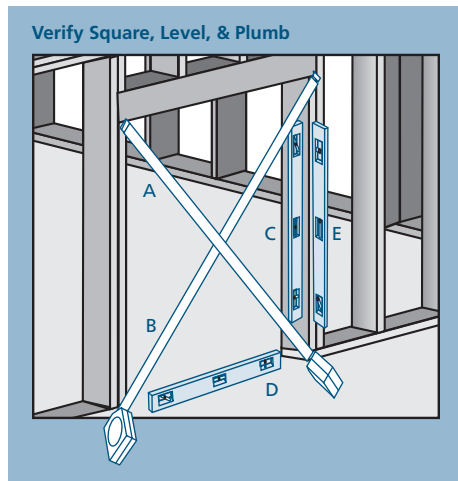
- Correct product (size, color, grid pattern, handing, glazing, energy-efficiency requirements, etc.)
- Correct Handing. To determine door swing (left or right), face the door from the side where hinges cannot be seen. Right handed doors open to the right, while left handed doors open to the left.

If any of the above conditions represent a concern, do not install the door. Contact your dealer or distributor for recommendations.

2

INSPECT ROUGH OPENING

- Verify the width and height of the door frame are each 1/2" smaller than the rough opening width/height.
- Verify the rough opening is square. The (A) and (B) measurements should be the same. Maximum allowable deviation from square is 1/4".



- Verify the rough opening is level and plumb (C) and (D). The maximum allowable deviation is 1/8".
- The rough opening sill must not be crowned or sagged (D).
- The exterior face of the rough opening must be in a single plane (E) with less than 1/8" twist from corner to corner.
- Minimum double studs should be used at all rough openings.
- The header must be supported by trimmer studs.

Do not install the door unless the rough opening meets the above conditions. Professional assistance may be necessary to correct problems before installation.

IMPORTANT! The door should be finished either before installation or immediately after (whichever is more convenient).

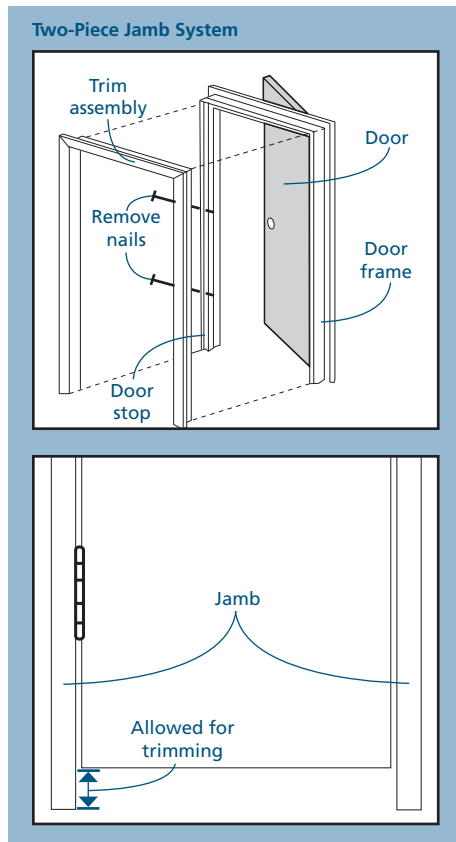
3 INSTALL DOOR

Warning! To avoid injury, use at least two people to install. Adequately support the door until completely fastened.

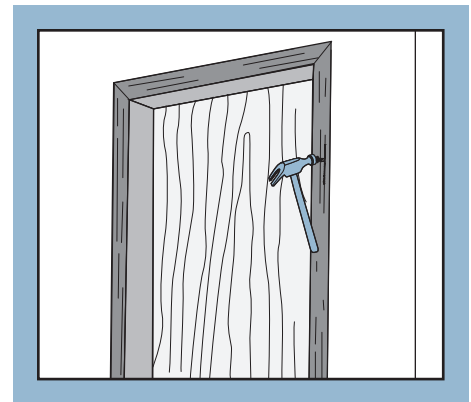
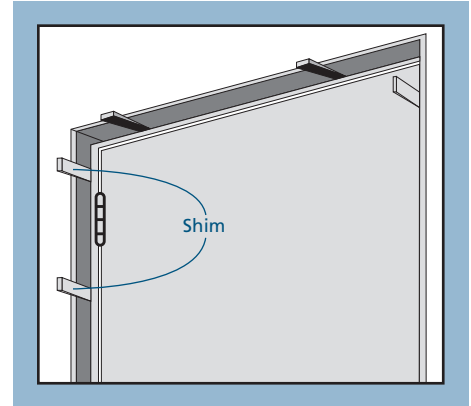
Pre-hung doors will be either a one or two piece jamb system. One piece jamb doors come without trim applied. Two-piece jamb doors come in two sections. The inside and outside trim are already applied to the main frame. The frame section with the pre-hung door is nailed in place, then the other frame section with the outside trim slides in from the other side and fits closely to the wall. The two sections are assembled with a tongue and groove joint which is covered by the door stop.

One piece jamb systems skip step 1 and begin with step 2.

1. If installing a two piece jamb system, separate the trim assembly from the frame section. The trim assembly may be taped or tacked to hold it in place during shipping. Frame components can be lightly primed or stained prior to installation, but wait until after installation before applying finish coats.
2. Pre-hung door frames extend below the slab to allow for different floor heights. The jambs can be trimmed as needed before beginning installation, however make sure to leave adequate space to allow air to pass under the door according to ventilation codes.
3. Remove any packaging or nails that hold the door closed.



4. Position the door unit into the opening and level the hinge side of the jamb. Use shims fastened through the jamb and stop with 10d finish nails approximately 2" from the top and 2" from the bottom of the jamb to level and temporarily secure in place.
5. Level the latch side of the jamb in the same manner as the hinge jamb. Ensure the jamb is not twisted and that the spacing between the jamb and door is uniform on all sides. Adjust the latch side of the jamb as necessary.
6. Shim the top of the jamb in the center of the opening and fasten with a 10d finish nail.
7. Re-check for square, level and even spacing around the door. Nail securely in place through the stop, jamb, shims and into the studs every 12" – 16". Set nails with a nail punch.
8. Position trim or slide trim assembly (two piece jamb) into place in the frame. Carefully nail the trim on both sides of the door every 12" to 16" using 4d finishing nails.



COMPLETE INSTALLATION

1. Install lockset hardware per supplied instructions.
2. Fill any nail/screw holes and sand smooth.
3. If installing a two piece jamb system, run a bead of 100% polyurethane sealant in all joints and tool until smooth.
4. Finish all six sides of the door slab as well as the frame.
5. Protect recently installed units from damage from plaster, paint, etc. by covering the unit with plastic.

Please visit jeld-wen.com/resources for finishing instructions, warranty and care and maintenance information.

Thank you for choosing

