



TABLE OF CONTENTS

Quick Spec Guide	1 - 2
Elevation Drawings	
Elevations (1-2-3 Wide)	1 - 3
Elevations (4-5-6 Wide)	1 - 4
Detail Drawings	
Section Details - Dualpane	1 - 5



Quick Spec Guide

Specification	Standard Features	Optional Features Some options may require additional lead time. Consult your JELD-WEN Sales Representative.
Colour	<ul style="list-style-type: none"> • White 	<ul style="list-style-type: none"> • French Vanilla • Sandalwood • Smoke • Claystone • Sable • Chestnut Bronze • Black
Size	<ul style="list-style-type: none"> • Width 20" - 36" • Height 16" - 72" 	
Frame		<ul style="list-style-type: none"> • 2" Extension • 1" Flush w/Flange • 1" BM (3/16" Inset) • 1" BM Closed (3/16" Inset) • 2" BM (3/16" Inset) • 2" Closed (3/16" Inset) • 3 1/4" BM (3/16" Inset)
IGU Make-Up	<ul style="list-style-type: none"> • Dualpane 	<ul style="list-style-type: none"> • Tripane
Glazing	<ul style="list-style-type: none"> • Insulated LowE 180 	<ul style="list-style-type: none"> • Sandblasted • Pinhead • Bronze • Insulated LowE 366
Hardware	<ul style="list-style-type: none"> • Dual Arm Operator • Non-folding Handle • Multi-point Locks 	<ul style="list-style-type: none"> • Nesting handle
Nail Fin		<ul style="list-style-type: none"> • Folding Exterior Nail Fin • Stapled Interior Nail Fin • Stapled Nail Fin (Top & Sides)
Grilles		<ul style="list-style-type: none"> • 5/8" Wide GBG • 5/16" Narrow GBG • 1 1/4" SDL • 2 1/4" SDL
Jamb Depth	<ul style="list-style-type: none"> • 4 3/4" 	<ul style="list-style-type: none"> • 3 1/2" • 4 5/8" • 5 1/8" • 6 5/8" • 7" • 7 3/8" • 7 5/8" • 7 7/8" • 8 5/8"
Jamb Options		<ul style="list-style-type: none"> • Extruded Vinyl Jamb • Paint Grade Wood Jamb

Elevations (1-2-3 Wide)

WIDTH

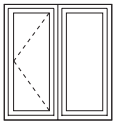
HEIGHT

1 Wide Vinyl Casement

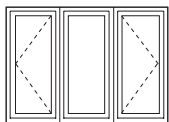


Hinged on the left (viewed from the outside)

2 Wide Vinyl Casement



3 Wide Vinyl Casement



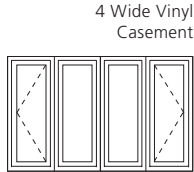
1 Wide Vinyl Casement							
	16	20	24	28	30	32	36
16		C2016-1	C2416-1	C2816-1	C3016-1	C3216-1	C3616-1
20	C1620-1	C2020-1	C2420-1	C2820-1	C3020-1	C3220-1	C3620-1
24	C1624-1	C2024-1	C2424-1	C2824-1	C3024-1	C3224-1	C3624-1
28	C1628-1	C2028-1	C2428-1	C2828-1	C3028-1	C3228-1	C3628-1*
32	C1632-1	C2032-1	C2432-1	C2832-1	C3032-1*	C3232-1*	C3632-1*
36	C1636-1	C2036-1	C2436-1	C2836-1*	C3036-1*	C3236-1*	C3636-1*
40	C1640-1	C2040-1	C2440-1	C2840-1*	C3040-1*	C3240-1*	C3640-1*
44	C1644-1	C2044-1	C2444-1	C2844-1*	C3044-1*	C3244-1**	C3644-1**
48	C1648-1	C2048-1	C2448-1	C2848-1*	C3048-1*	C3248-1**	C3648-1**
52	C1652-1	C2052-1	C2452-1	C2852-1*	C3052-1*	C3252-1**	C3652-1**
56	C1656-1	C2056-1	C2456-1	C2856-1*	C3056-1*	C3256-1**	C3656-1**
60	C1660-1	C2060-1	C2460-1	C2860-1*	C3060-1*	C3260-1**	C3660-1**
64	C1664-1	C2064-1	C2464-1	C2864-1*	C3064-1*	C3264-1**	C3664-1**
68	C1668-1	C2068-1	C2468-1	C2868-1*	C3068-1*	C3268-1**	C3668-1**
72	C1672-1	C2072-1	C2472-1	C2872-1*	C3072-1*	C3272-1**	C3672-1**
2 Wide Vinyl Casement							
	32	40	48	56	60	64	72
16		C2016-2	C2416-2	C2816-2	C3016-2	C3216-2	C3616-2
20	C1620-2	C2020-2	C2420-2	C2820-2	C3020-2	C3220-2	C3620-2
24	C1624-2	C2024-2	C2424-2	C2824-2	C3024-2	C3224-2	C3624-2
28	C1628-2	C2028-2	C2428-2	C2828-2	C3028-2	C3228-2	C3628-2*
32	C1632-2	C2032-2	C2432-2	C2832-2	C3032-2*	C3232-2*	C3632-2*
36	C1636-2	C2036-2	C2436-2	C2836-2*	C3036-2*	C3236-2*	C3636-2*
40	C1640-2	C2040-2	C2440-2	C2840-2*	C3040-2*	C3240-2*	C3640-2*
44	C1644-2	C2044-2	C2444-2	C2844-2*	C3044-2*	C3244-2**	C3644-2**
48	C1648-2	C2048-2	C2448-2	C2848-2*	C3048-2*	C3248-2**	C3648-2**
52	C1652-2	C2052-2	C2452-2	C2852-2*	C3052-2*	C3252-2**	C3652-2**
56	C1656-2	C2056-2	C2456-2	C2856-2*	C3056-2*	C3256-2**	C3656-2**
60	C1660-2	C2060-2	C2460-2	C2860-2*	C3060-2*	C3260-2**	C3660-2**
64	C1664-2	C2064-2	C2464-2	C2864-2*	C3064-2*	C3264-2**	C3664-2**
68	C1668-2	C2068-2	C2468-2	C2868-2*	C3068-2*	C3268-2**	C3668-2**
72	C1672-2	C2072-2	C2472-2	C2872-2*	C3072-2*	C3272-2**	C3672-2**
3 Wide Vinyl Casement							
	48	60	72	84	90	96	108
16		C2016-3	C2416-3	C2816-3	C3016-3	C3216-3	C3616-3
20	C1620-3	C2020-3	C2420-3	C2820-3	C3020-3	C3220-3	C3620-3
24	C1624-3	C2024-3	C2424-3	C2824-3	C3024-3	C3224-3	C3624-3
28	C1628-3	C2028-3	C2428-3	C2828-3	C3028-3	C3228-3	C3628-3*
32	C1632-3	C2032-3	C2432-3	C2832-3	C3032-3*	C3232-3*	C3632-3*
36	C1636-3	C2036-3	C2436-3	C2836-3*	C3036-3*	C3236-3*	C3636-3*
40	C1640-3	C2040-3	C2440-3	C2840-3*	C3040-3*	C3240-3*	C3640-3*
44	C1644-3	C2044-3	C2444-3	C2844-3*	C3044-3*	C3244-3**	C3644-3**
48	C1648-3	C2048-3	C2448-3	C2848-3*	C3048-3*	C3248-3**	C3648-3**
52	C1652-3	C2052-3	C2452-3	C2852-3*	C3052-3*	C3252-3**	C3652-3**
56	C1656-3	C2056-3	C2456-3	C2856-3*	C3056-3*	C3256-3**	C3656-3**
60	C1660-3	C2060-3	C2460-3	C2860-3*	C3060-3*	C3260-3**	C3660-3**
64	C1664-3	C2064-3	C2464-3	C2864-3*	C3064-3*	C3264-3**	C3664-3**
68	C1668-3	C2068-3	C2468-3	C2868-3*	C3068-3*	C3268-3**	C3668-3**
72	C1672-3	C2072-3	C2472-3	C2872-3*	C3072-3*	C3272-3**	C3672-3**

*Meets Bedroom Egress
 **Meets 3rd Story Egress

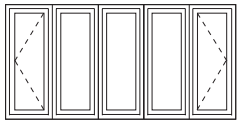
Elevations (4-5-6 Wide)

WIDTH

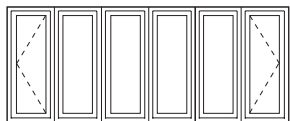
HEIGHT



4 Wide Vinyl Casement



5 Wide Vinyl Casement

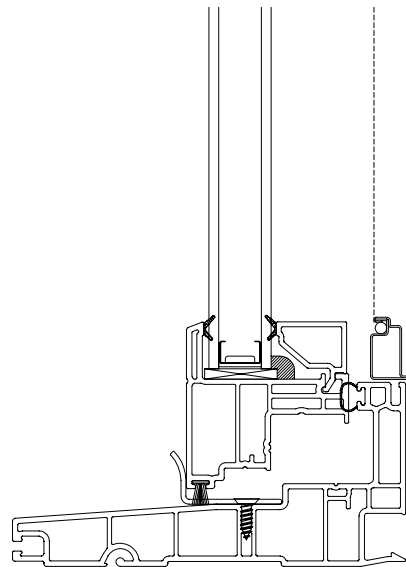
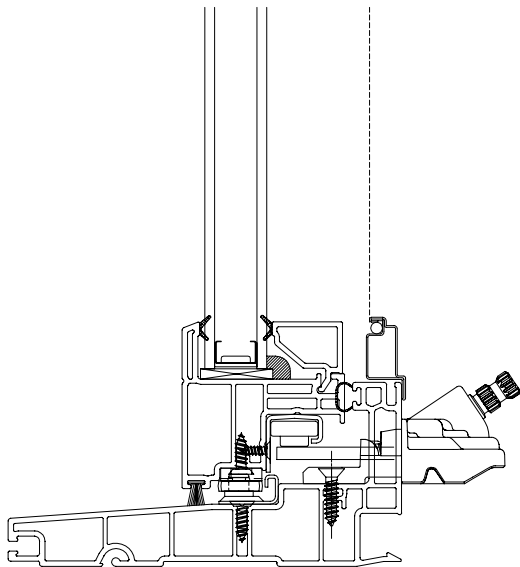
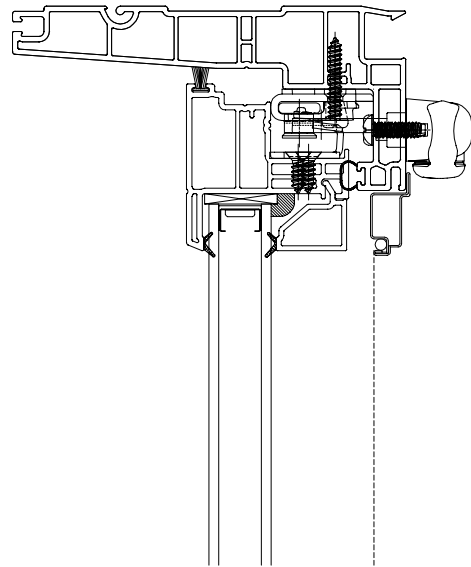
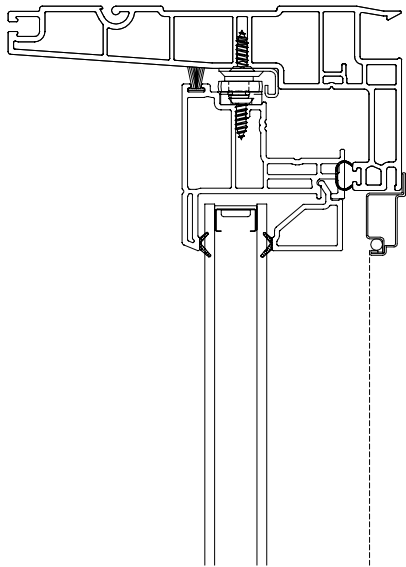


6 Wide Vinyl Casement

4 Wide Vinyl Casement						
	64	80	96	112	128	144
16		C2016-4	C2416-4	C2816-4	C3216-4	C3616-4
20	C1620-4	C2020-4	C2420-4	C2820-4	C3220-4	C3620-4
24	C1624-4	C2024-4	C2424-4	C2824-4	C3224-4	C3624-4
28	C1628-4	C2028-4	C2428-4	C2828-4	C3228-4	C3628-4*
32	C1632-4	C2032-4	C2432-4	C2832-4	C3232-4*	C3632-4*
36	C1636-4	C2036-4	C2436-4	C2836-4*	C3236-4*	C3636-4*
40	C1640-4	C2040-4	C2440-4	C2840-4*	C3240-4*	C3640-4*
44	C1644-4	C2044-4	C2444-4	C2844-4*	C3244-4**	C3644-4**
48	C1648-4	C2048-4	C2448-4	C2848-4*	C3248-4**	C3648-4**
52	C1652-4	C2052-4	C2452-4	C2852-4*	C3252-4**	C3652-4**
56	C1656-4	C2056-4	C2456-4	C2856-4*	C3256-4**	C3656-4**
60	C1660-4	C2060-4	C2460-4	C2860-4*	C3260-4**	C3660-4**
64	C1664-4	C2064-4	C2464-4	C2864-4*	C3264-4**	C3664-4**
68	C1668-4	C2068-4	C2468-4	C2868-4*	C3268-4**	C3668-4**
72	C1672-4	C2072-4	C2472-4	C2872-4*	C3272-4**	C3672-4**
5 Wide Vinyl Casement						
	80	100	120	140		
16		C2016-5	C2416-5	C2816-5		
20	C1620-5	C2020-5	C2420-5	C2820-5		
24	C1624-5	C2024-5	C2424-5	C2824-5		
28	C1628-5	C2028-5	C2428-5	C2828-5		
32	C1632-5	C2032-5	C2432-5	C2832-5		
36	C1636-5	C2036-5	C2436-5	C2836-5*		
40	C1640-5	C2040-5	C2440-5	C2840-5*		
44	C1644-5	C2044-5	C2444-5	C2844-5*		
48	C1648-5	C2048-5	C2448-5	C2848-5*		
52	C1652-5	C2052-5	C2452-5	C2852-5*		
56	C1656-5	C2056-5	C2456-5	C2856-5*		
60	C1660-5	C2060-5	C2460-5	C2860-5*		
64	C1664-5	C2064-5	C2464-5	C2864-5*		
68	C1668-5	C2068-5	C2468-5	C2868-5*		
72	C1672-5	C2072-5	C2472-5	C2872-5*		
6 Wide Vinyl Casement						
	96	120	144			
16		C2016-6	C2416-6			
20	C1620-6	C2020-6	C2420-6			
24	C1624-6	C2024-6	C2424-6			
28	C1628-6	C2028-6	C2428-6			
32	C1632-6	C2032-6	C2432-6			
36	C1636-6	C2036-6	C2436-6			
40	C1640-6	C2040-6	C2440-6			
44	C1644-6	C2044-6	C2444-6			
48	C1648-6	C2048-6	C2448-6			
52	C1652-6	C2052-6	C2452-6			
56	C1656-6	C2056-6	C2456-6			
60	C1660-6	C2060-6	C2460-6			
64	C1664-6	C2064-6	C2464-6			
68	C1668-6	C2068-6	C2468-6			
72	C1672-6	C2072-6	C2472-6			

*Meets Bedroom Egress
 **Meets 3rd Story Egress

Section Details - Dualpane



Vertical Section

Horizontal Section