



TABLE OF CONTENTS

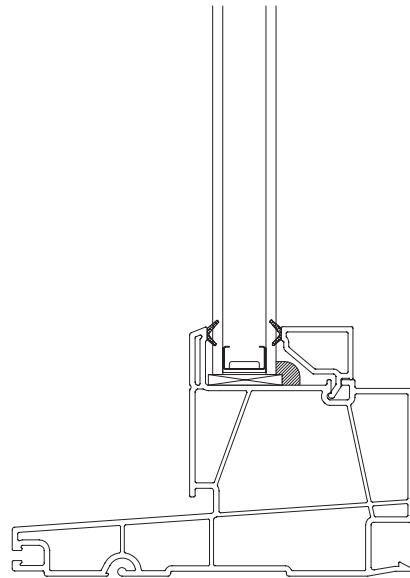
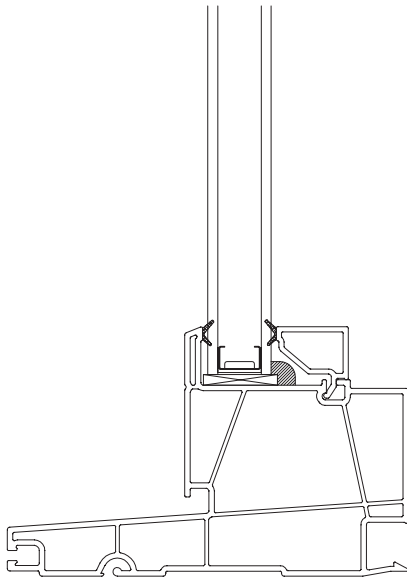
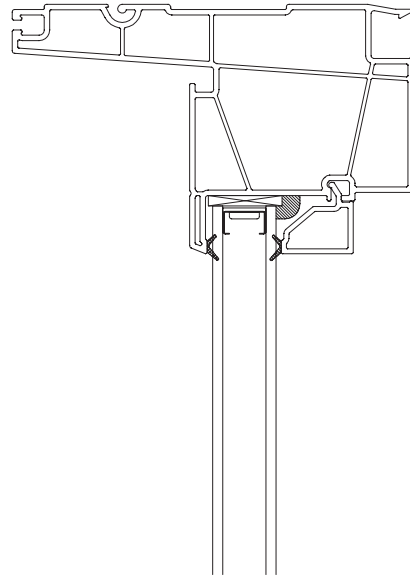
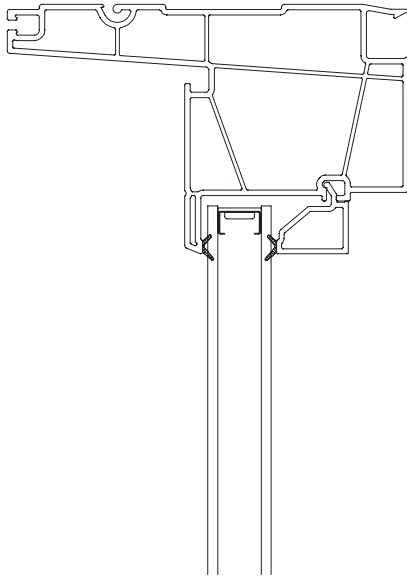
Quick Spec Guide	3 - 2
Elevation Drawings	
Elevations (1 Wide)	3 - 3
Detail Drawings	
Section Details - Dualpane	3 - 4



Elevations (1 Wide)

WIDTH		1 Wide Vinyl Fixed											
HEIGHT		12	16	20	24	28	32	32	36	40	44	48	52
	12	F1212	F1612	F2012	F2412	F2812	F3012	F3212	F3612	F4012	F4412	F4812	F5212
16	F1216	F1616	F2016	F2416	F2816	F3016	F3216	F3616	F4016	F4416	F4816	F5216	
20	F1220	F1620	F2020	F2420	F2820	F3020	F3220	F3620	F4020	F4420	F4820	F5220	
24	F1224	F1624	F2024	F2424	F2824	F3024	F3224	F3624	F4024	F4424	F4824	F5224	
28	F1228	F1628	F2028	F2428	F2828	F3028	F3228	F3628	F4028	F4428	F4828	F5228	
32	F1232	F1632	F2032	F2432	F2832	F3032	F3232	F3632	F4032	F4432	F4832	F5232	
36	F1236	F1636	F2036	F2436	F2836	F3036	F3236	F3636	F4036	F4436	F4836	F5236	
40	F1240	F1640	F2040	F2440	F2840	F3040	F3240	F3640	F4040	F4440	F4840	F5240	
44	F1244	F1644	F2044	F2444	F2844	F3044	F3244	F3644	F4044	F4444	F4844	F5244	
48	F1248	F1648	F2048	F2448	F2848	F3048	F3248	F3648	F4048	F4448	F4848	F5248	
52	F1252	F1652	F2052	F2452	F2852	F3052	F3252	F3652	F4052	F4452	F4852	F5252	
56	F1256	F1656	F2056	F2456	F2856	F3056	F3256	F3656	F4056	F4456	F4856	F5256	
60	F1260	F1660	F2060	F2460	F2860	F3060	F3260	F3660	F4060	F4460	F4860	F5260	
64	F1264	F1664	F2064	F2464	F2864	F3064	F3264	F3664	F4064	F4464	F4864	F5264	
68	F1268	F1668	F2068	F2468	F2868	F3068	F3268	F3668	F4068	F4468	F4868	F5268	
72	F1272	F1672	F2072	F2472	F2872	F3072	F3272	F3672	F4072	F4472	F4872	F5272	
76	F1276	F1676	F2076	F2476	F2876	F3076	F3276	F3676	F4076	F4476	F4876	F5276	
80	F1280	F1680	F2080	F2480	F2880	F3080	F3280	F3680	F4080	F4480	F4880	F5280	
84	F1284	F1684	F2084	F2484	F2884	F3084	F3284	F3684	F4084	F4484	F4884	F5284	
88	F1288	F1688	F2088	F2488	F2888	F3088	F3288	F3688	F4088	F4488	F4888	F5288	
92	F1292	F1692	F2092	F2492	F2892	F3092	F3292	F3692	F4092	F4492	F4892	F5292	
96	F1296	F1696	F2096	F2496	F2896	F3096	F3296	F3696	F4096	F4496	F4896	F5296	
		56	60	64	68	72	76	80	84	88	92	96	
12	F5612	F6012	F6412	F6812	F7212	F7612	F8012	F8412	F8812	F9212	F9612		
16	F5616	F6016	F6416	F6816	F7216	F7616	F8016	F8416	F8816	F9216	F9616		
20	F5620	F6020	F6420	F6820	F7220	F7620	F8020	F8420	F8820	F9220	F9620		
24	F5624	F6024	F6424	F6824	F7224	F7624	F8024	F8424	F8824	F9224	F9624		
28	F5628	F6028	F6428	F6828	F7228	F7628	F8028	F8428	F8828	F9228	F9628		
32	F5632	F6032	F6432	F6832	F7232	F7632	F8032	F8432	F8832	F9232	F9632		
36	F5636	F6036	F6436	F6836	F7236	F7636	F8036	F8436	F8836	F9236	F9636		
40	F5640	F6040	F6440	F6840	F7240	F7640	F8040	F8440	F8840	F9240	F9640		
44	F5644	F6044	F6444	F6844	F7244	F7644	F8044	F8444	F8844	F9244	F9644		
48	F5648	F6048	F6448	F6848	F7248	F7648	F8048	F8448	F8848	F9248	F9648		
52	F5652	F6052	F6452	F6852	F7252	F7652	F8052	F8452	F8852	F9252	F9652		
56	F5656	F6056	F6456	F6856	F7256	F7656	F8056	F8456	F8856	F9256			
60	F5660	F6060	F6460	F6860	F7260	F7660							
64	F5664	F6064	F6464	F6864	F7264	F7664							
68	F5668	F6068	F6468	F6868	F7268	F7668							
72	F5672	F6072	F6472	F6872	F7272								
76	F5676	F6076	F6476	F6876									
80	F5680												
84	F5684												
88	F5688												
92	F5692												

Section Details - Dualpane



Vertical Section

Horizontal Section