



TABLE OF CONTENTS

Maximum Mullion Rules	7 - 2
Detail Drawings	
Section Details - Simulated Divided Lites (SDL)	7 - 3
Section Details - Grilles Between Glass (GBG)	7 - 4
Section Details - Standard Grille Patterns.....	7 - 5
Section Details - Exterior Options	7 - 6
Section Details - Interior Options.....	7 - 7
Section Details - Glass	7 - 8

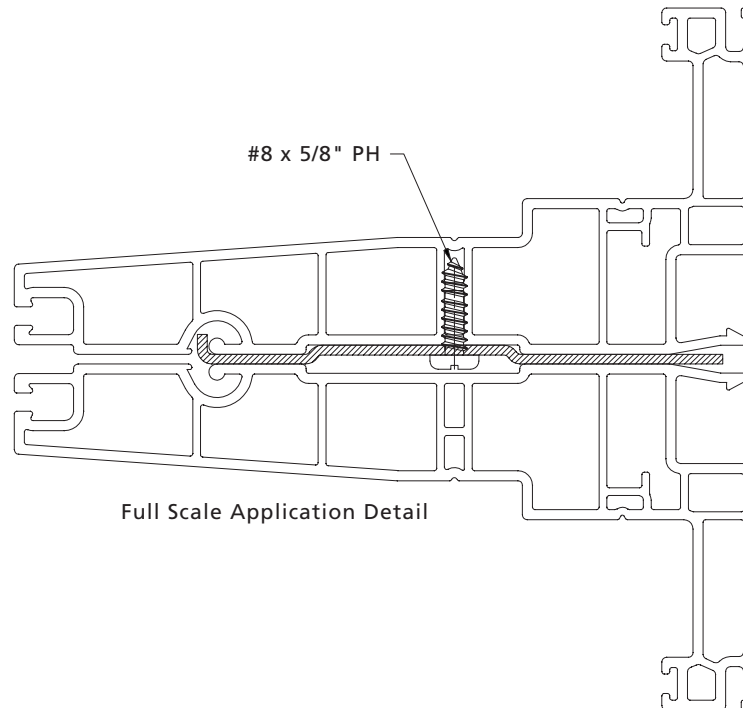
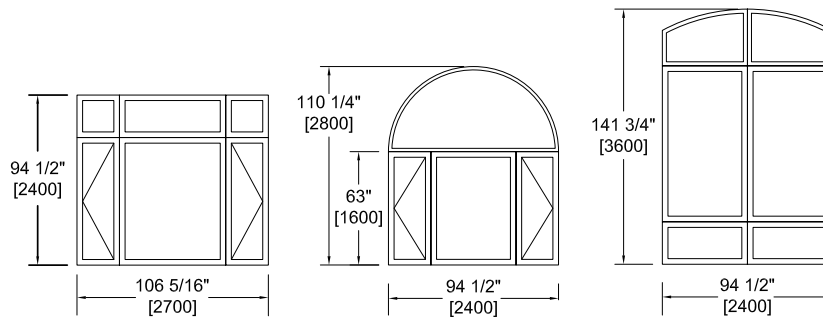
Maximum Mullion Rules

The following maximum mullion rules apply to product manufactured from the United plant and are for residential housing only. Contact your Territory Sales Manager or Customer Service Representative if you require further clarification.

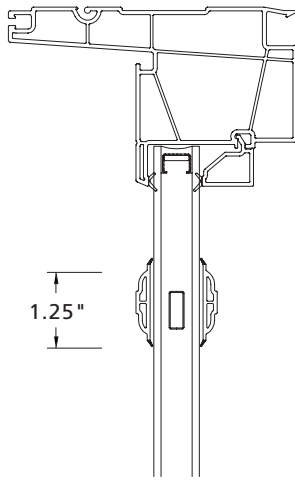
United Collection Vinyl Windows - Mullion Rules

The horizontal mullion (stud to stud) and vertical mullion (bottom plate to header) can not exceed 2400mm (94 1/2") in both directions. As long as one mullion does not exceed 2400mm the opposite mullion can extend up to 3600mm (141 3/4"), but can not exceed the overall combination unit size of 96 sq. ft. 8'0" stud to stud required.

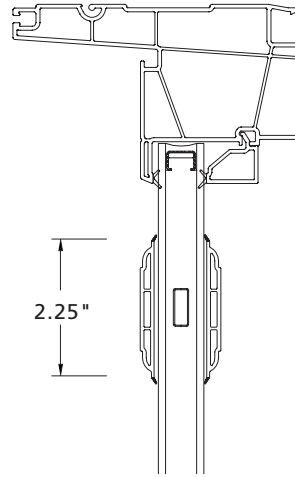
United Collection Vinyl Windows - Examples



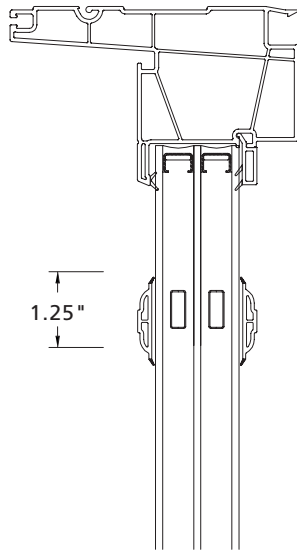
Simulated Divided Lites (SDL)



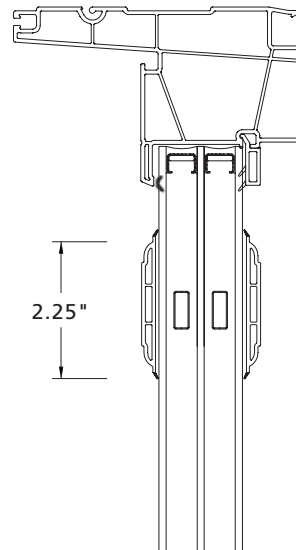
SDL



MDL

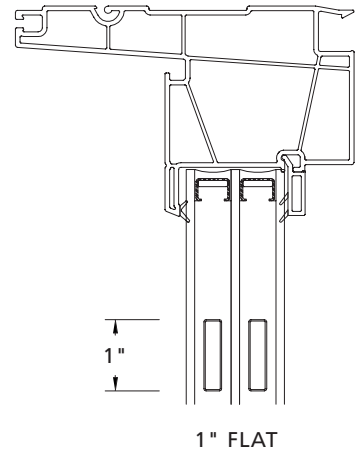
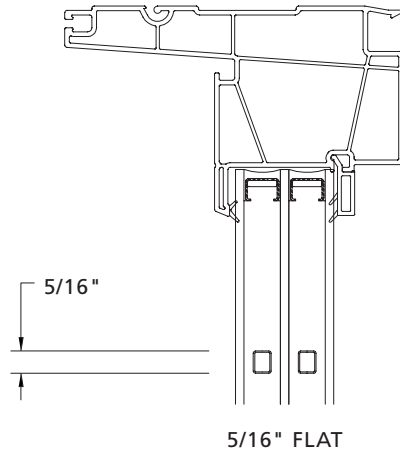
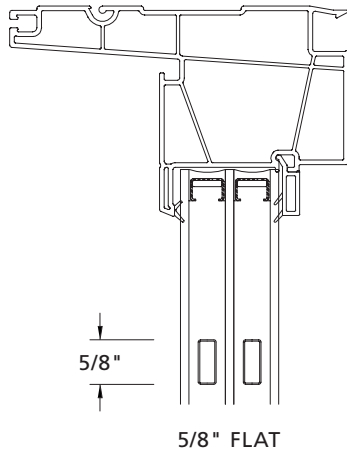
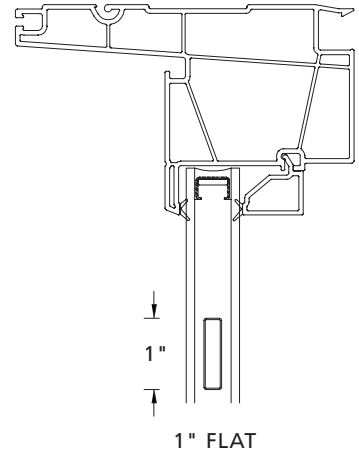
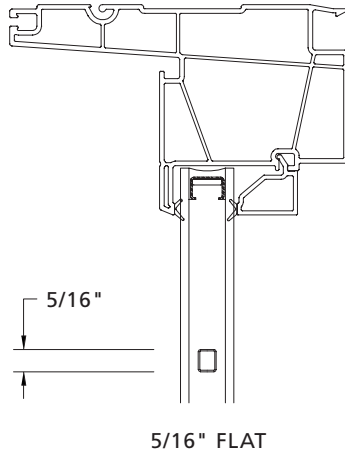
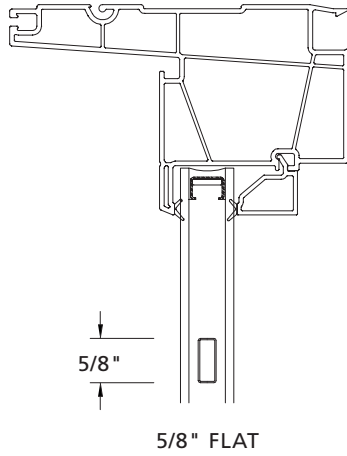


SDL



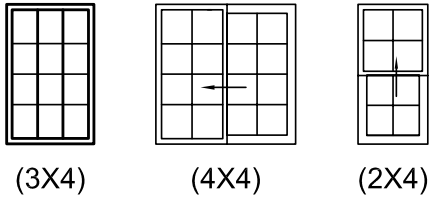
MDL

Grilles Between Glass (GBG)

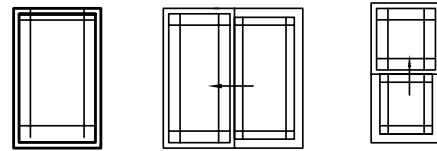


Standard Grille Patterns

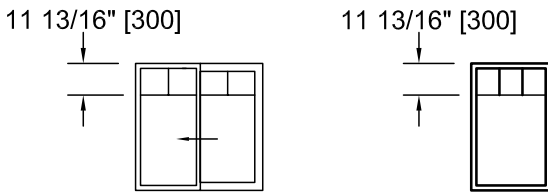
Colonial



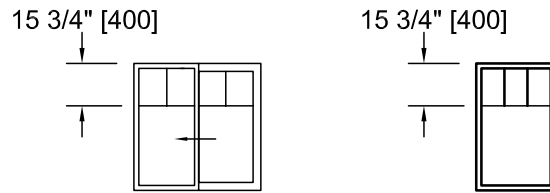
Prairie



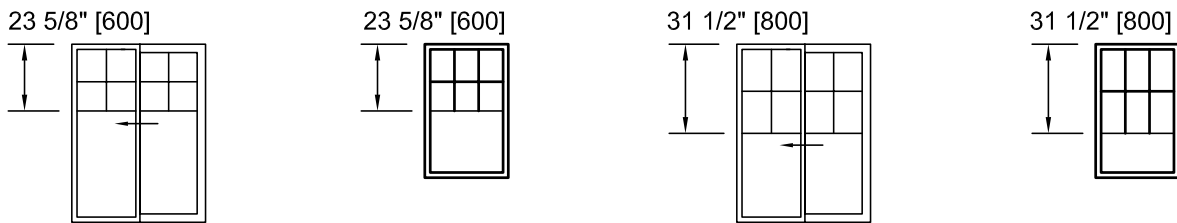
12" Victorian



16" Victorian

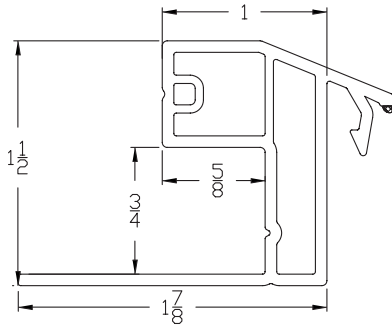


Muskoka

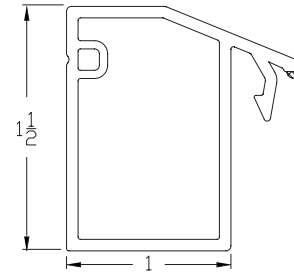


Grille pattern measurements are from the top of the window frame to the centre of the grille bar

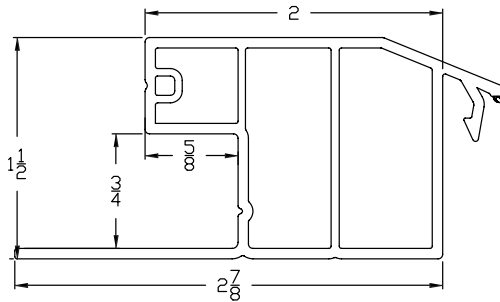
Exterior Options



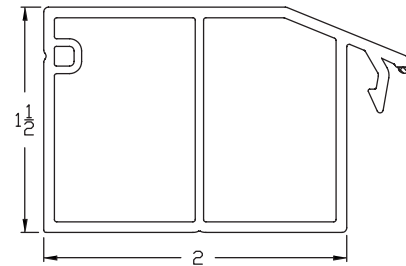
1" (3/16" Inset) Brickmould



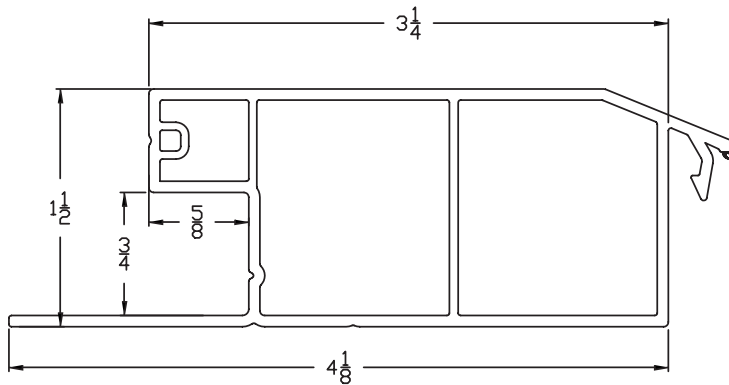
1"(3/16" Inset) Closed Brickmould



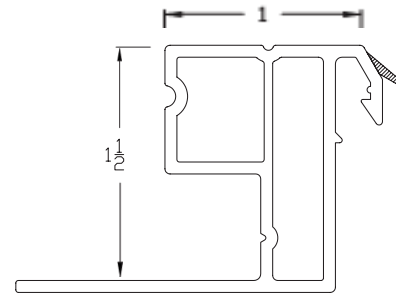
2" (3/16" Inset) Brickmould



2"(3/16" Inset) Closed Brickmould

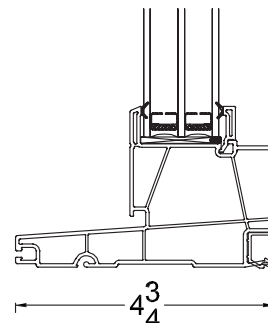
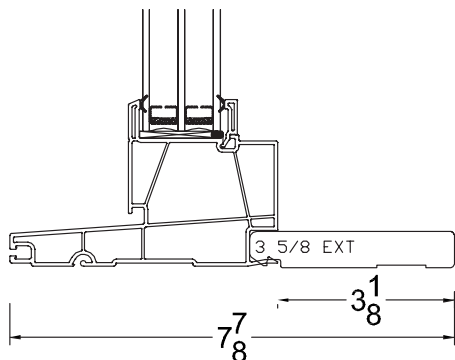
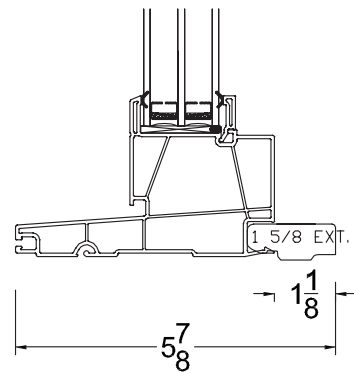
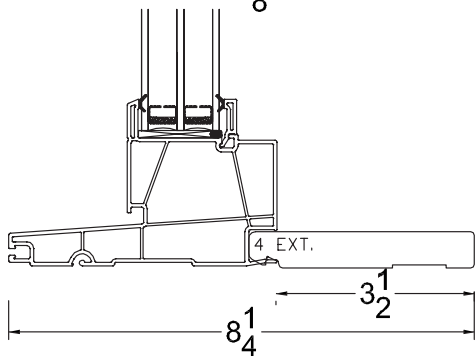
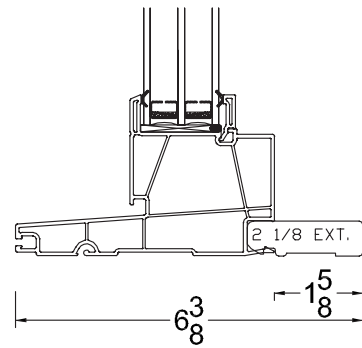
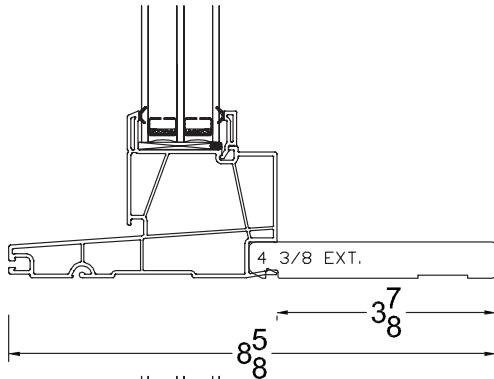
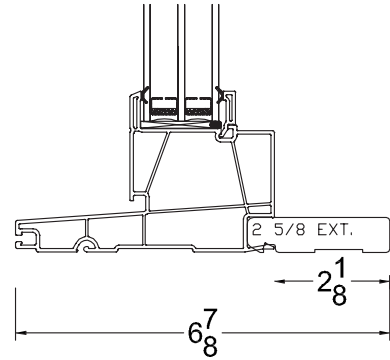
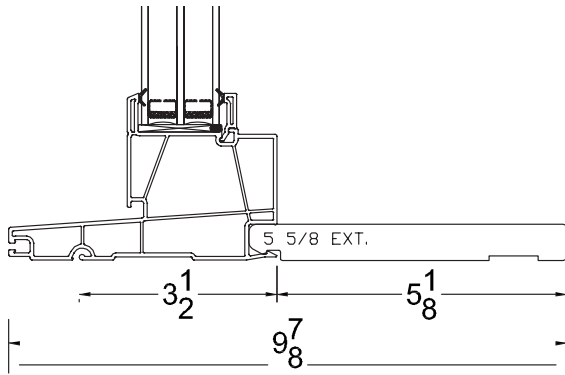


3 1/4" (3/16" Inset) Brickmould

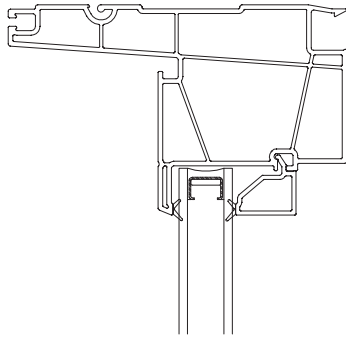


1" Flush Brickmould

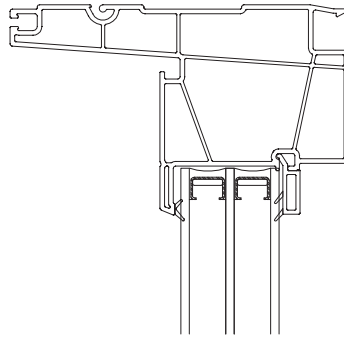
Interior Options



Glass Options



Dualpane



Tripane

