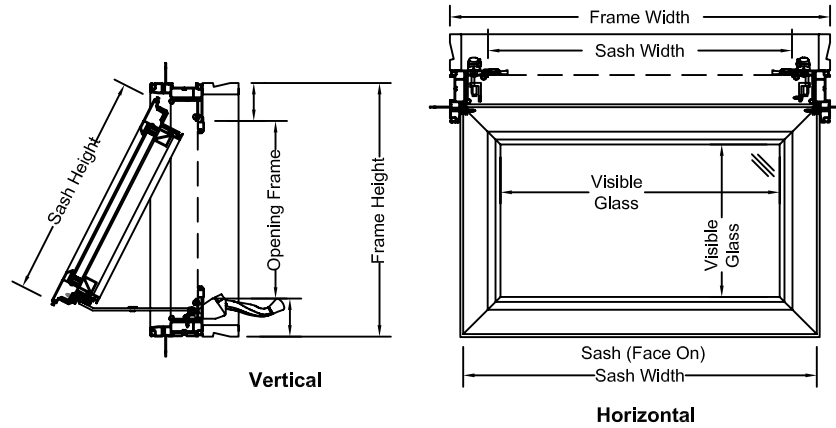

















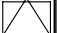























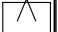
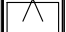
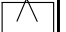












Specification	Standard Features	Optional Features Some options may require additional lead time. Consult your JELD-WEN Sales Representative.
Colour	<ul style="list-style-type: none"> • White or Desert Sand 	<ul style="list-style-type: none"> • Full Exterior and Exterior Trim Colours (White Interior) • Desert Sand • Red • Brown • Mist Grey • Blue • Linen • Green • Ivory • Slate • Ivy
Size	<ul style="list-style-type: none"> • Width 23 1/2" to 59" • Height 15 3/4" to 39 1/2" 	
Frame	<ul style="list-style-type: none"> • 3 1/4" with Integral Nailing Fin (2 1/4" Jamb) 	<ul style="list-style-type: none"> • 1 5/8", 2" and 3 1/2" Brickmould w/Sill Nosing • 3 1/4" Extender • Exterior Casing • Drip Edge • 1 1/4" J-Trim • U-Channel • Sill Expander
IGU Make-Up	<ul style="list-style-type: none"> • Dualpane 	<ul style="list-style-type: none"> • Tripane
Glazing	<ul style="list-style-type: none"> • Insulating Clear 	<ul style="list-style-type: none"> • Low-E w/Argon • Rainglass • Gluechip • Bronze • Laminated • Pinhead • Narrow Reed • Sandblasted • Grey • All glass available tempered
Hardware	<ul style="list-style-type: none"> • Truth® Encore® Hardware <ul style="list-style-type: none"> - Scissor Operator, - Folding/Nesting Handle, • Dual Locks 	<ul style="list-style-type: none"> • Motorized Operator • Coastal-Stainless Steel Hinge
Hardware Colour	<ul style="list-style-type: none"> • White or Desert Sand 	
Screens	<ul style="list-style-type: none"> • Standard Fibreglass Mesh Screen 	
Screen Frame Colour	<ul style="list-style-type: none"> • White or Desert Sand 	
Grilles		<ul style="list-style-type: none"> • 5/8" Wide IGU (Internal Grille Unit) • 5/16" Narrow IGU (Internal Grille Unit) • 7/8", 1 1/8", 1 3/8", 2 1/4" SDL (Simulated Divided Lite)
Jamb Depth	<ul style="list-style-type: none"> • 2 1/4" 	<ul style="list-style-type: none"> • 3 1/4" • 6 1/2" • 4 1/2" • Available up to 12 1/2"
Jamb Options		<ul style="list-style-type: none"> • Vinyl Jamb Extension • Paint Grade Wood • Pacific Coast Hemlock • Oak

N.T.S.











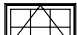














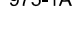
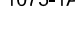
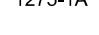
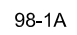
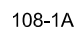
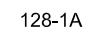
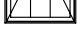


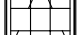




Code Size	Visible Glass (sq.ft.)	Code Size	Visible Glass (sq.ft.)	Code Size	Visible Glass (sq.ft.)
44	= 0.84	77	= 3.62	104	= 2.65
45	= 1.15	775	= 3.93	105	= 3.60
46	= 1.45	78	= 4.25	106	= 4.55
47	= 1.75	79	= 4.87	107	= 5.49
475	= 1.90	710	= 5.49	1075	= 5.97
48	= 2.05	712	= 6.74	108	= 6.44
49	= 2.35	754	= 1.90	109	= 7.39
410	= 2.65	755	= 2.58	1010	= 8.34
412	= 3.26	756	= 3.26	1012	= 10.23
54	= 1.15	757	= 3.93	124	= 3.26
55	= 1.55	758	= 4.61	125	= 4.42
56	= 1.96	759	= 5.29	126	= 5.58
57	= 2.37	7510	= 5.97	127	= 6.74
575	= 2.58	7512	= 7.32	1275	= 7.33
58	= 2.78	84	= 2.05	128	= 7.91
59	= 3.19	85	= 2.78	129	= 9.07
510	= 3.60	86	= 3.51	1210	= 10.23
512	= 4.42	88	= 4.98	1212	= 12.56
64	= 1.45	89	= 5.71	144	= 3.86
65	= 1.96	810	= 6.44	145	= 5.24
66	= 2.48	812	= 7.91	146	= 6.62
67	= 3.00	94	= 2.35	147	= 7.99
675	= 3.26	95	= 3.19	1475	= 8.68
68	= 3.51	96	= 4.03	154	= 4.16
69	= 4.03	97	= 4.87	155	= 5.64
610	= 4.55	975	= 5.29	156	= 7.13
612	= 5.58	98	= 5.71	157	= 8.61
74	= 1.75	99	= 6.55	1575	= 9.36
75	= 2.37	910	= 7.39		
76	= 3.00	912	= 9.07		

SCALE: 1/8" = 1'-0"

RO OSM	16 5/8" (422) 15 3/4" (400)	20 1/2" (522) 19 11/16" (500)	24 1/2" (622) 23 5/8" (600)	28 3/8" (722) 27 9/16" (700)	30 3/8" (772) 29 1/2" (750)	32 3/8" (822) 31 1/2" (800)
16 5/8" (422) 15 3/4" (400)	 44-1A	 54-1A	 64-1A	 74-1A	 754-1A	 84-1A
20 1/2" (522) 19 11/16" (500)	 45-1A	 55-1A	 65-1A	 75-1A	 755-1A	 85-1A
24 1/2" (622) 23 5/8" (600)	 46-1A	 56-1A	 66-1A	 76-1A	 756-1A	 86-1A
28 3/8" (722) 27 9/16" (700)	 47-1A	 57-1A	 67-1A	 77-1A	 757-1A	 87-1A
30 3/8" (772) 29 1/2" (750)	 475-1A	 575-1A	 675-1A	 775-1A	 7575-1A	 875-1A
32 3/8" (822) 31 1/2" (800)	 48-1A	 58-1A	 68-1A	 78-1A	 758-1A	 88-1A
36 1/4" (922) 35 1/2" (900)	 49-1A	 59-1A	 69-1A	 79-1A	 759-1A	 89-1A
40 1/4" (1022) 39 1/2" (1000)	 410-1A	 510-1A	 610-1A	 710-1A	 7510-1A	 810-1A
48 1/8" (1222) 47 1/4" (1200)	 412-1A	 512-1A	 612-1A	 712-1A	 7512-1A	 812-1A

SCALE: 1/8" = 1'-0"

RO OSM	36 1/4" (922) 35 1/2" (900)	40 1/4" (1022) 39 1/2" (1000)	48 1/8" (1222) 47 1/4" (1200)	56" (1422) 55 1/8" (1400)	59 7/8" (1522) 59" (1500)
16 5/8" (422) 15 3/4" (400)	 94-1A	 104-1A	 124-1A	 144-1A	 154-1A*
20 1/2" (522) 19 11/16" (500)	 95-1A	 105-1A	 125-1A	 145-1A	 155-1A*
24 1/2" (622) 23 5/8" (600)	 96-1A	 106-1A	 126-1A	 146-1A	 156-1A*
28 3/8" (722) 27 9/16" (700)	 97-1A	 107-1A	 127-1A	 147-1A	 157-1A*
30 3/8" (772) 29 1/2" (750)	 975-1A	 1075-1A	 1275-1A	 1475-1A	 1575-1A*
32 3/8" (822) 31 1/2" (800)	 98-1A	 108-1A	 128-1A		*Dualpane Only
36 1/4" (922) 35 1/2" (900)	 99-1A	 109-1A	 129-1A		
40 1/4" (1022) 39 1/2" (1000)	 910-1A	 1010-1A	 1210-1A		
48 1/8" (1222) 47 1/4" (1200)	 912-1A	 1012-1A	 1212-1A		

SCALE: 1/8" = 1'-0"

RO OSM	16 5/8" (422) 15 3/4" (400)	20 1/2" (522) 19 11/16" (500)	24 1/2" (622) 23 5/8" (600)	28 3/8" (722) 27 9/16" (700)	30 3/8" (772) 29 1/2" (750)	32 3/8" (822) 31 1/2" (800)
40 1/4" (1022) 39 1/2" (1000)						
	COMB 410-1PA	COMB 510-1PA	COMB 610-1PA	COMB 710-1PA	COMB 7510- 1PA	COMB 810-1PA
48 1/8" (1222) 47 1/4" (1200)						
	COMB 412-1PA	COMB 512-1PA	COMB 612-1PA	COMB 712-1PA	COMB 7512-1PA	COMB 812-1PA
56" (1422) 55 1/8" (1400)						
	COMB 414-1PA	COMB 514-1PA	COMB 614-1PA	COMB 714-1PA	COMB 7514-1PA	COMB 814-1PA
59 7/8" (1522) 59" (1500)						
	COMB 415-1PA	COMB 515-1PA	COMB 615-1PA	COMB 715-1PA	COMB 7515-1PA	COMB 815-1PA
63 7/8" (1622) 63" (1600)						
	COMB 416-1PA	COMB 516-1PA	COMB 616-1PA	COMB 716-1PA	COMB 7516-1PA	COMB 816-1PA
71 3/4" (1822) 70 7/8" (1800)						
	COMB 418-1PA	COMB 518-1PA	COMB 618-1PA	COMB 718-1PA	COMB 7518-1PA	COMB 818-1PA

SCALE: 1/8" = 1'-0"

RO OSM	36 1/4" (922) 35 1/2" (900)	40 1/4" (1022) 39 1/2" (1000)	48 1/8" (1222) 47 1/4" (1200)	56" (1422) 55 1/8" (1400)	59 7/8" (1522) 59" (1500)
40 1/4" (1022) 39 1/2" (1000)					
	COMB 910-1PA	COMB 1010-1PA	COMB 1210-1PA	COMB 1410-1PA	COMB 1510-1PA
48 1/8" (1222) 47 1/4" (1200)					
	COMB 912-1PA	COMB 1012-1PA	COMB 1212-1PA	COMB 1412-1PA	COMB 1512-1PA
56" (1422) 55 1/8" (1400)					
	COMB 914-1PA	COMB 1014-1PA	COMB 1214-1PA	COMB 1414-1PA	COMB 1514-1PA
59 7/8" (1522) 59" (1500)					
	COMB 915-1PA	COMB 1015-1PA	COMB 1215-1PA	COMB 1415-1PA	COMB 1515-1PA
63 7/8" (1622) 63" (1600)					
	COMB 916-1PA	COMB 1016-1PA	COMB 1216-1PA	COMB 1416-1PA	COMB 1516-1PA
71 3/4" (1822) 70 7/8" (1800)					
	COMB 918-1PA	COMB 1018-1PA	COMB 1218-1PA	COMB 1418-1PA	COMB 1518-1PA

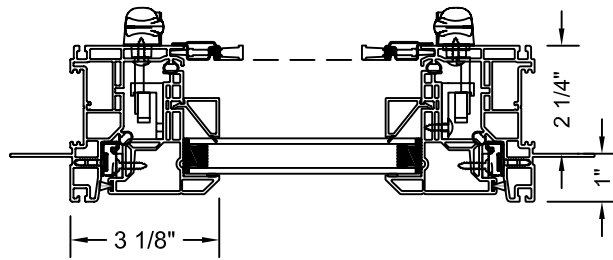
SCALE: 1/8" = 1'-0"

RO OSM	16 5/8" (422) 15 3/4" (400)	20 1/2" (522) 19 11/16" (500)	24 1/2" (622) 23 5/8" (600)	28 3/8" (722) 27 9/16" (700)	30 3/8" (772) 29 1/2" (750)	32 3/8" (822) 31 1/2" (800)
40 1/4" (1022) 39 1/2" (1000)						
	COMB 410-1FA	COMB 510-1FA	COMB 610-1FA	COMB 710-1FA	COMB 7510- 1PA	COMB 810-1FA
48 1/8" (1222) 47 1/4" (1200)						
	COMB 412-1FA	COMB 512-1FA	COMB 612-1FA	COMB 712-1FA	COMB 7512-1FA	COMB 812-1FA
56" (1422) 55 1/8" (1400)						
	COMB 414-1FA	COMB 514-1FA	COMB 614-1FA	COMB 714-1FA	COMB 7514-1FA	COMB 814-1FA
59 7/8" (1522) 59" (1500)						
	COMB 415-1FA	COMB 515-1FA	COMB 615-1FA	COMB 715-1FA	COMB 7515-1FA	COMB 815-1FA
63 7/8" (1622) 63" (1600)						
	COMB 416-1FA	COMB 516-1FA	COMB 616-1FA	COMB 716-1FA	COMB 7516-1FA	COMB 816-1FA
71 3/4" (1822) 70 7/8" (1800)						
	COMB 418-1FA	COMB 518-1FA	COMB 618-1FA	COMB 718-1FA	COMB 7518-1FA	COMB 818-1FA

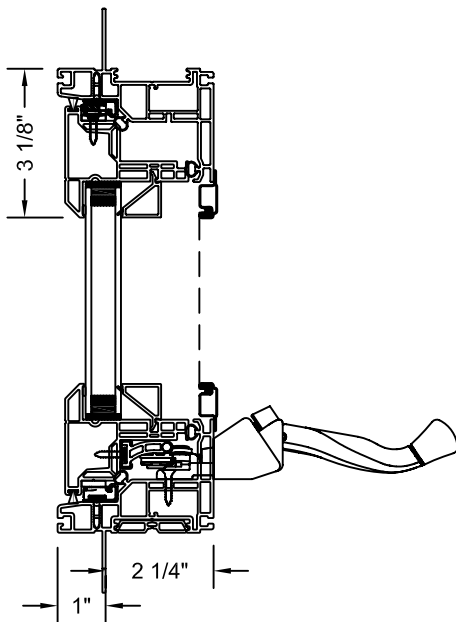
SCALE: 1/8" = 1'-0"

RO OSM	36 1/4" (922) 35 1/2" (900)	40 1/4" (1022) 39 1/2" (1000)	48 1/8" (1222) 47 1/4" (1200)	56" (1422) 55 1/8" (1400)	59 7/8" (1522) 59" (1500)
40 1/4" (1022) 39 1/2" (1000)					
	COMB 910-1FA	COMB 1010-1FA	COMB 1210-1FA	COMB 1410-1FA	COMB 1510-1FA
48 1/8" (1222) 47 1/4" (1200)					
	COMB 912-1FA	COMB 1012-1FA	COMB 1212-1FA	COMB 1412-1FA	COMB 1512-1FA
56" (1422) 55 1/8" (1400)					
	COMB 914-1FA	COMB 1014-1FA	COMB 1214-1FA	COMB 1414-1FA	COMB 1514-1FA
59 7/8" (1522) 59" (1500)					
	COMB 915-1FA	COMB 1015-1FA	COMB 1215-1FA	COMB 1415-1FA	COMB 1515-1FA
63 7/8" (1622) 63" (1600)					
	COMB 916-1FA	COMB 1016-1FA	COMB 1216-1FA	COMB 1416-1FA	COMB 1516-1FA
71 3/4" (1822) 70 7/8" (1800)					
	COMB 918-1FA	COMB 1018-1FA	COMB 1218-1FA	COMB 1418-1FA	COMB 1518-1FA

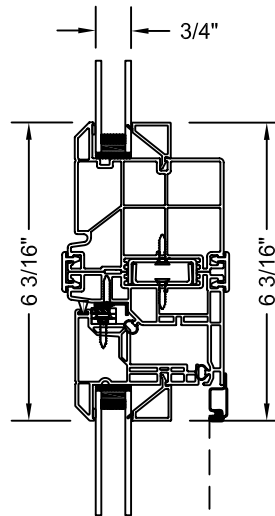
SCALE: 3" = 1'-0"



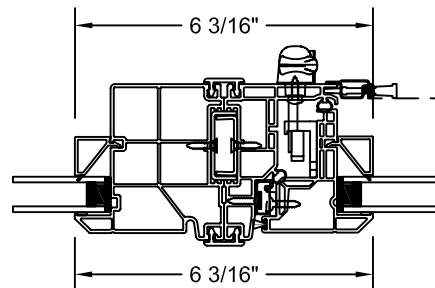
**HORIZONTAL
SECTION DETAIL**



**VERTICAL
SECTION DETAIL**

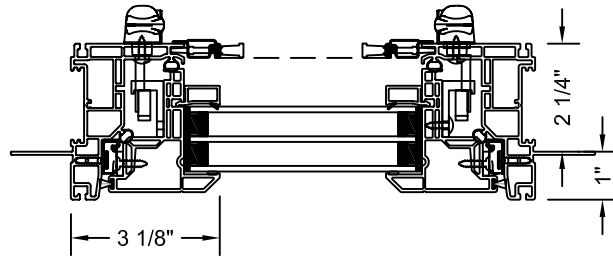


**VERTICAL MULLION
SECTION DETAIL**

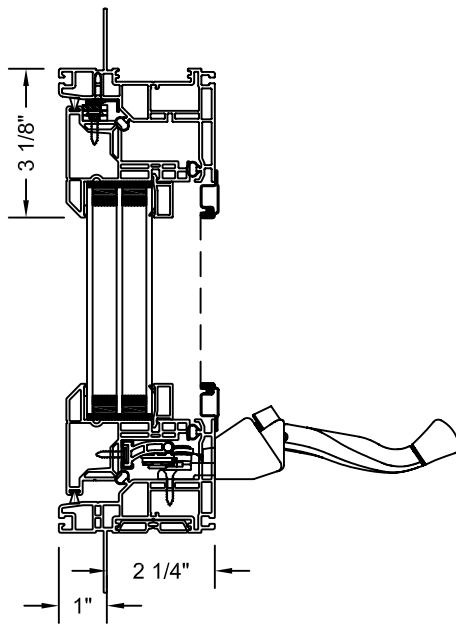


**HORIZONTAL MULLION
SECTION DETAIL**

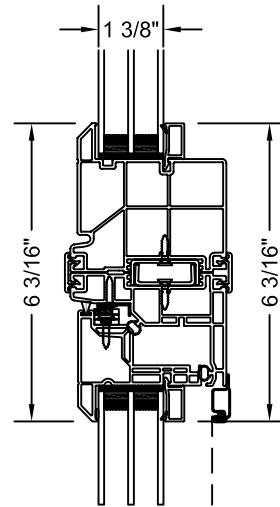
SCALE: 3" = 1'-0"



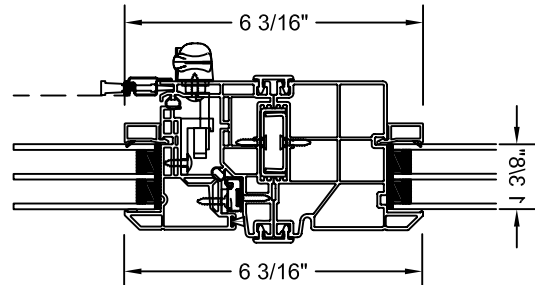
**HORIZONTAL
SECTION DETAIL**



**VERTICAL
SECTION DETAIL**

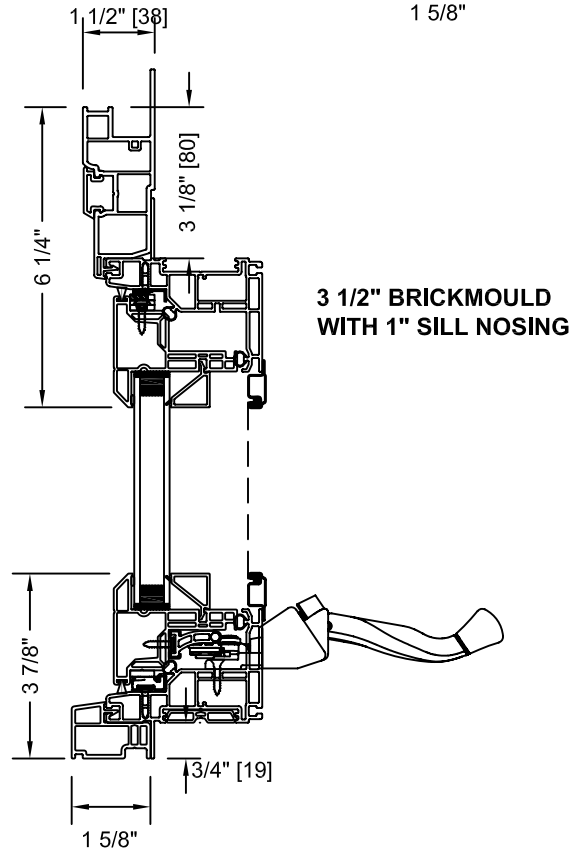
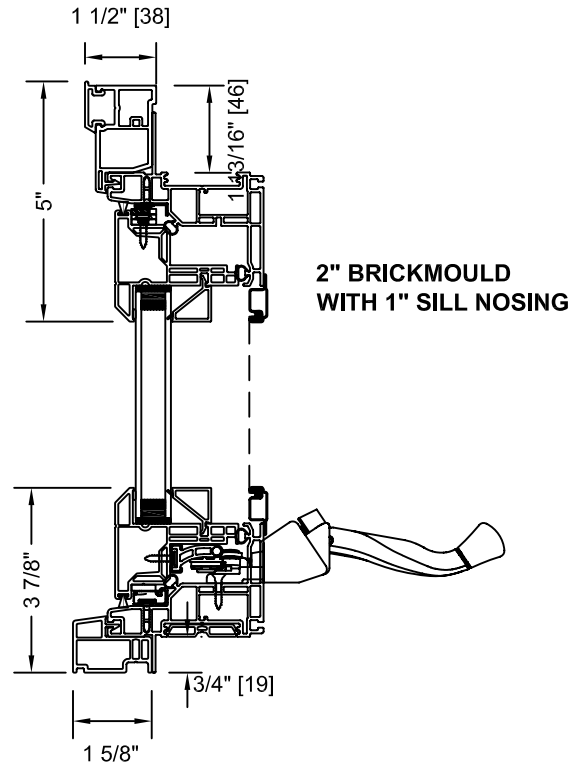
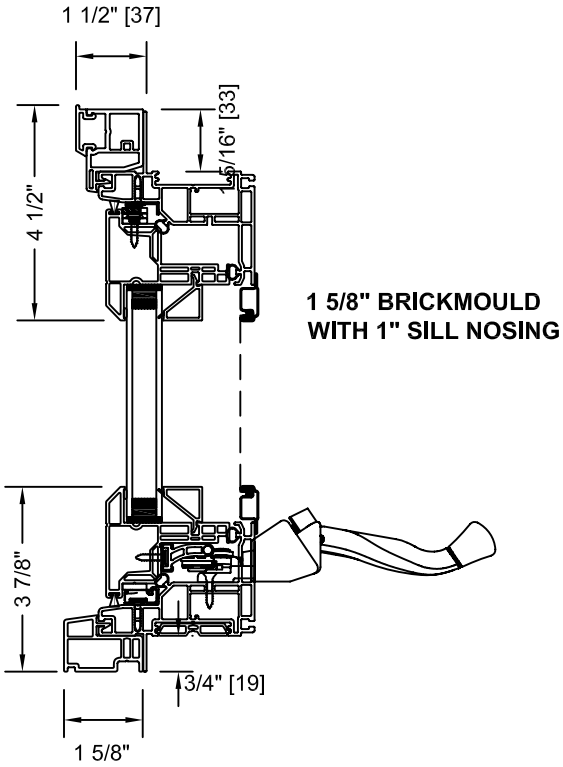


**VERTICAL MULLION
SECTION DETAIL**

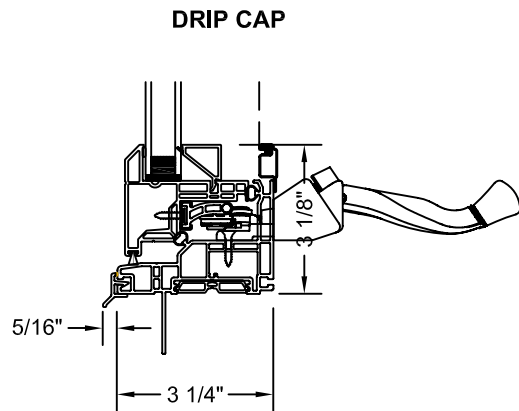
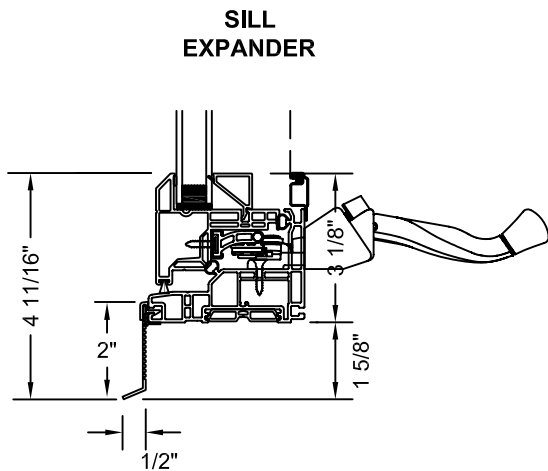
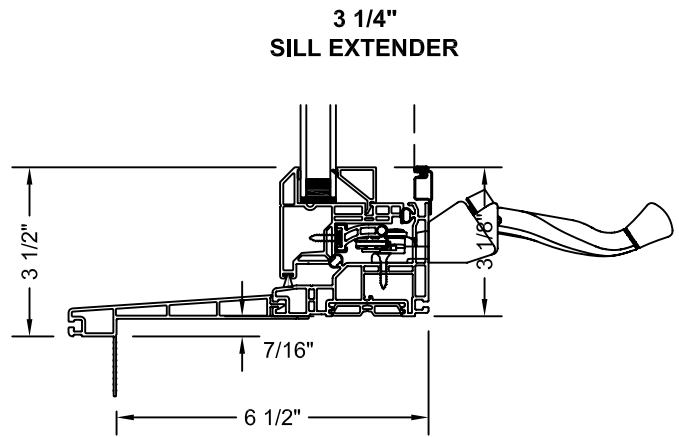
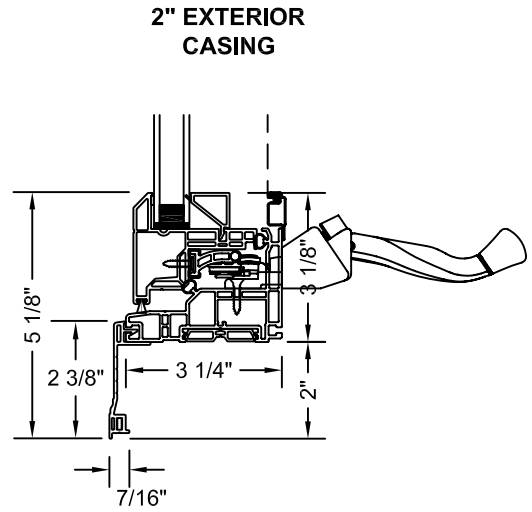
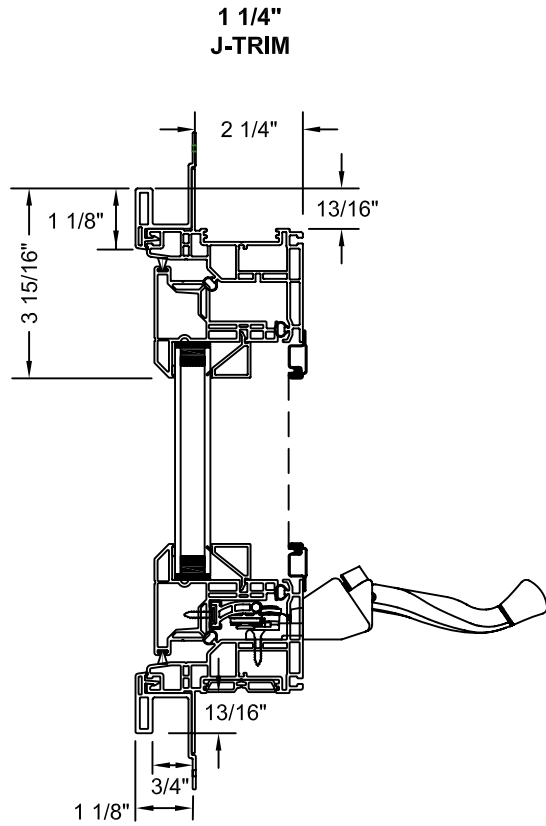


**HORIZONTAL MULLION
SECTION DETAIL**

SCALE: 3" = 1'-0"



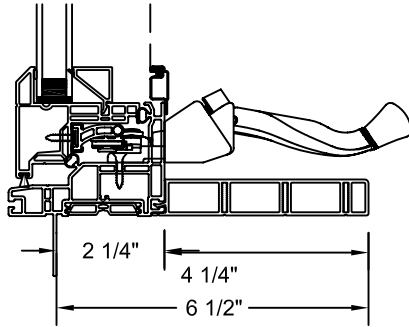
SCALE: 3" = 1'-0"



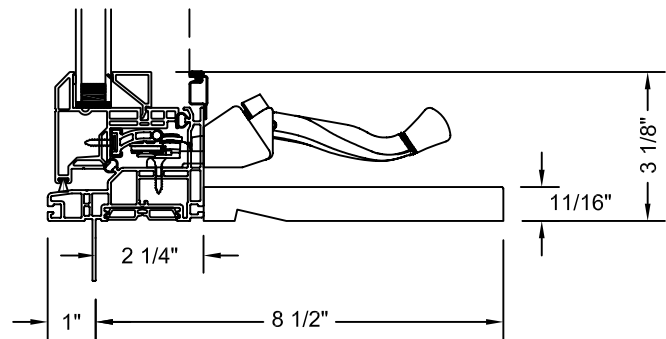
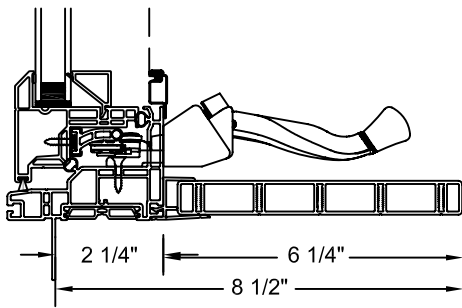
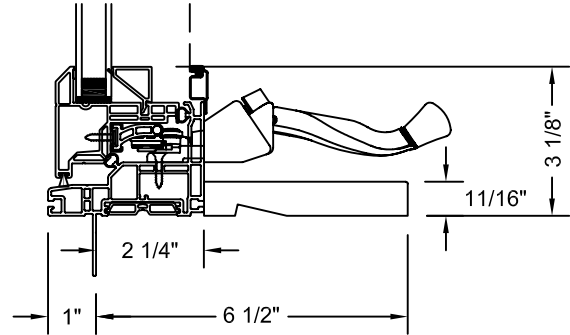
Note: Expander can be trimmed on side to fit

SCALE: 3" = 1'-0"

**VINYL
JAMB EXTENSIONS**



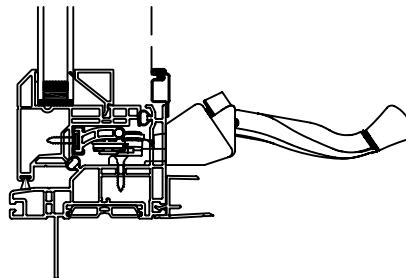
**CLEAR WOOD AND PAINTGRADE WOOD
JAMB EXTENSIONS**



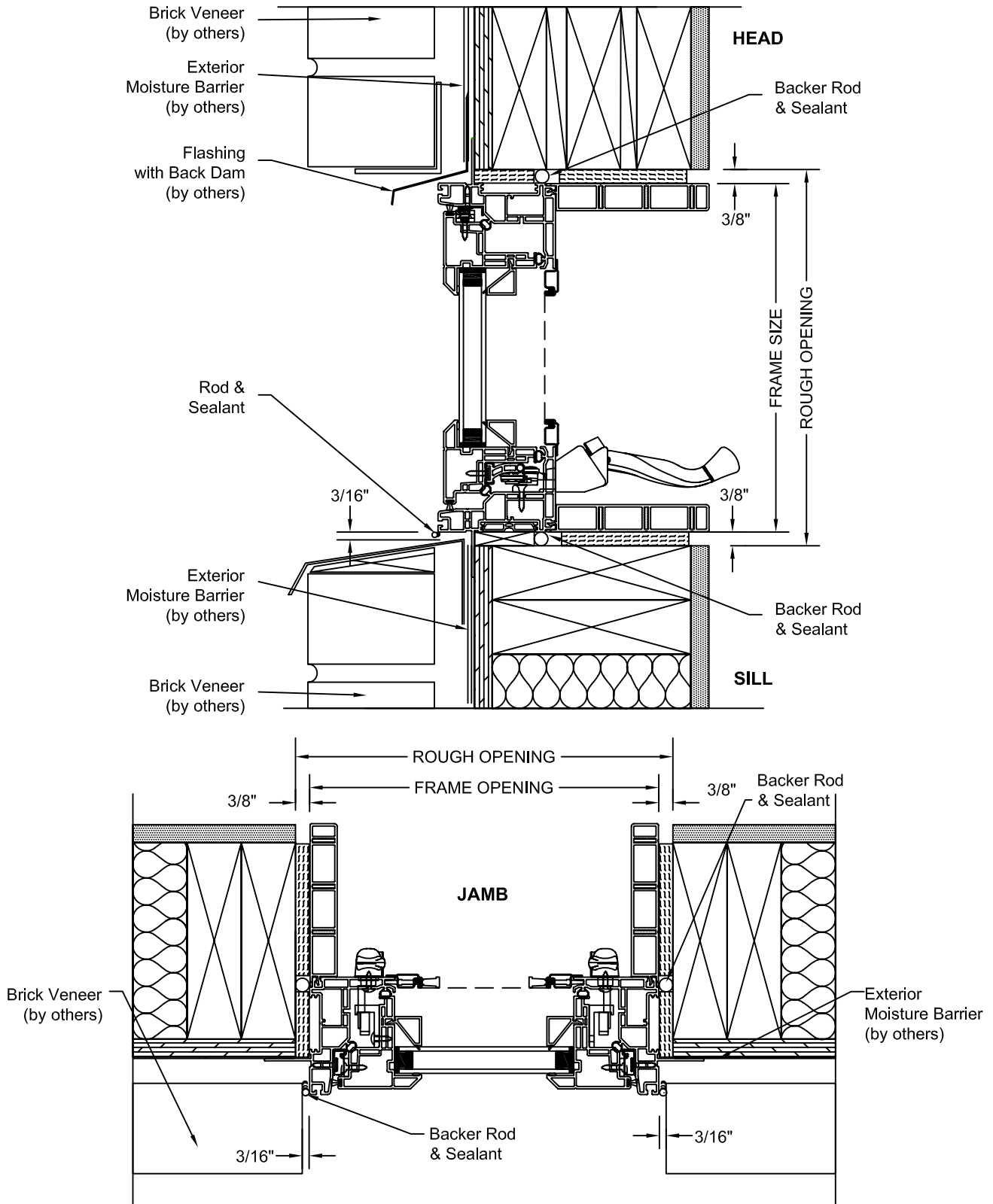
Jamb extensions are available as vinyl, clear wood and paint grade wood - up to jamb widths of 12 1/2" (3/8).
Please contact your JELD-WEN representative for availability.

U-CHANNEL

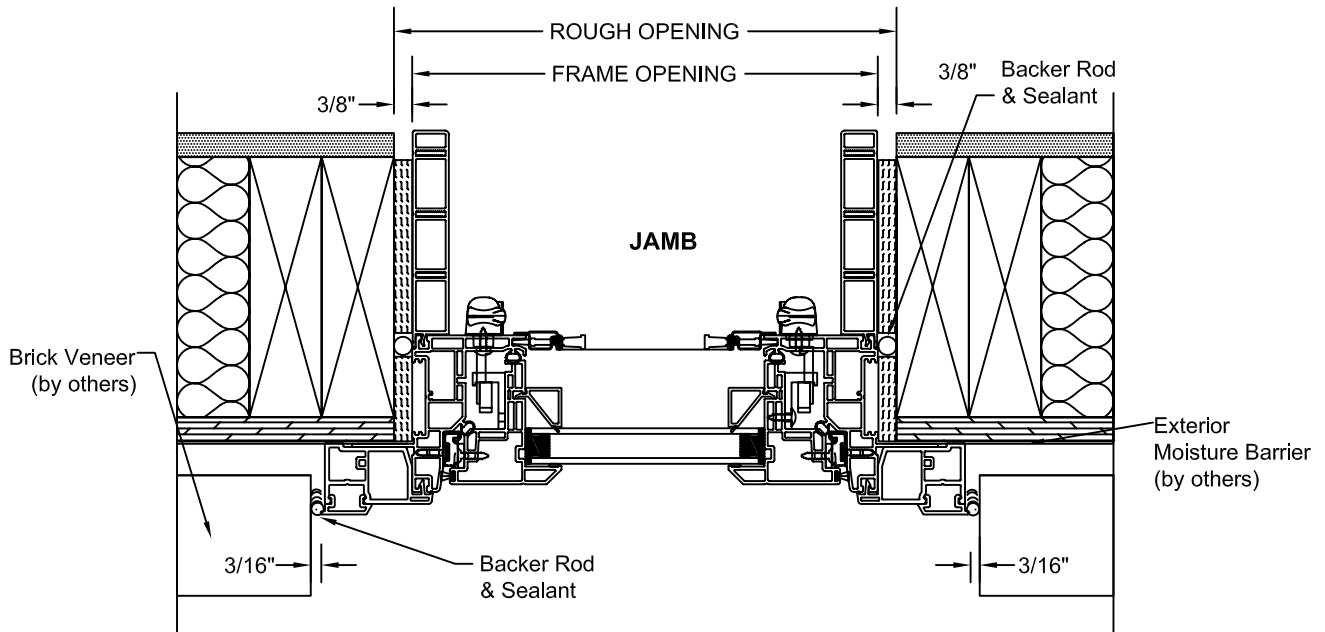
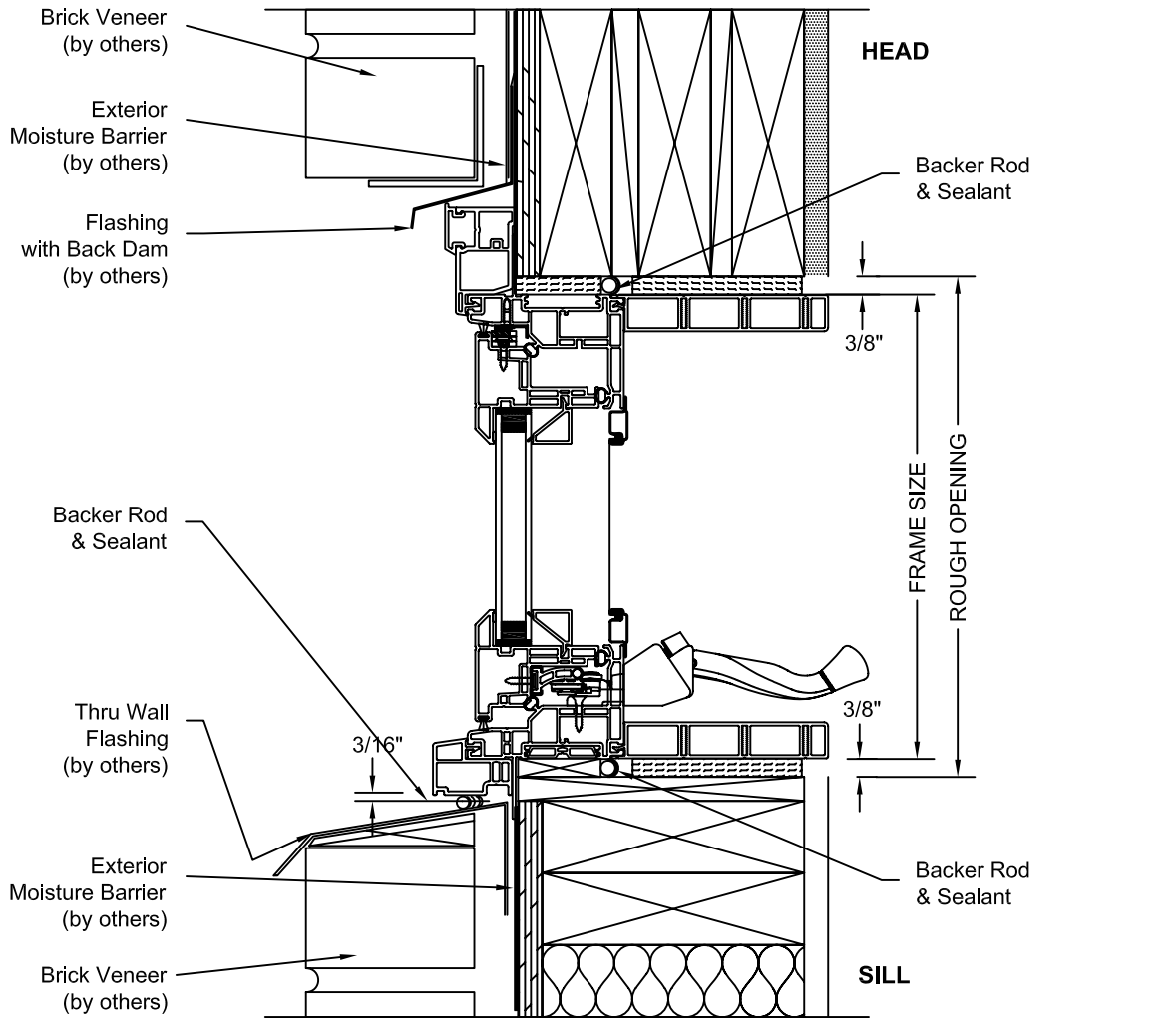
Accepts 1/2" and 3/4" material



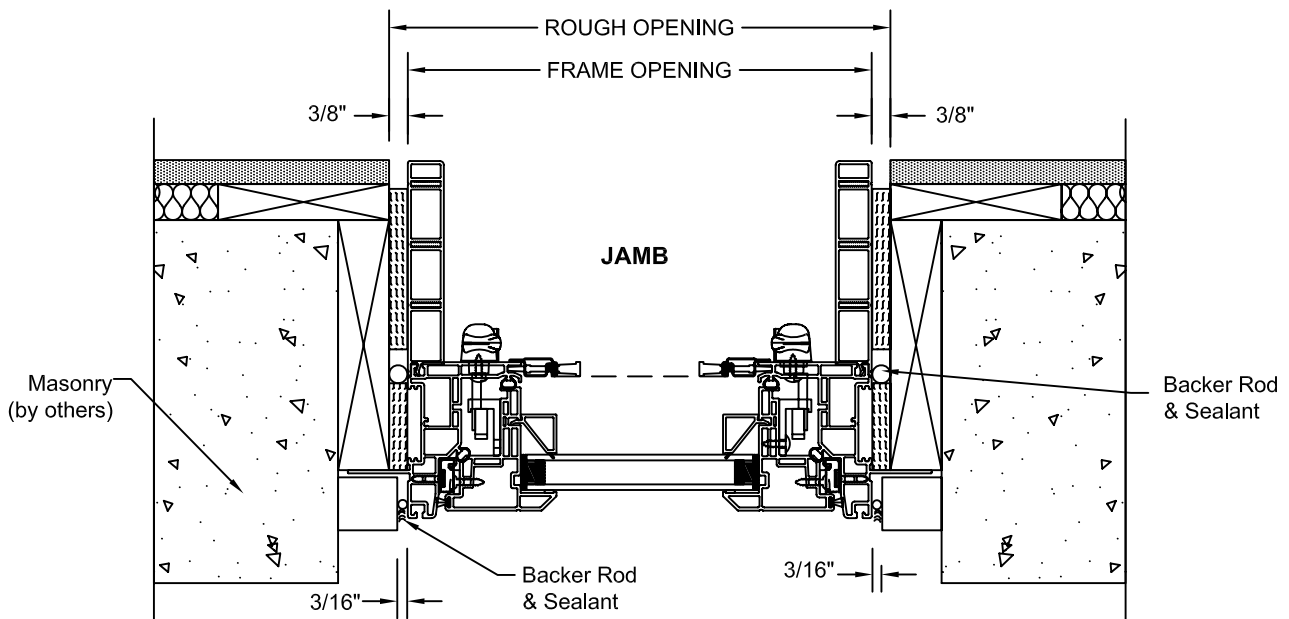
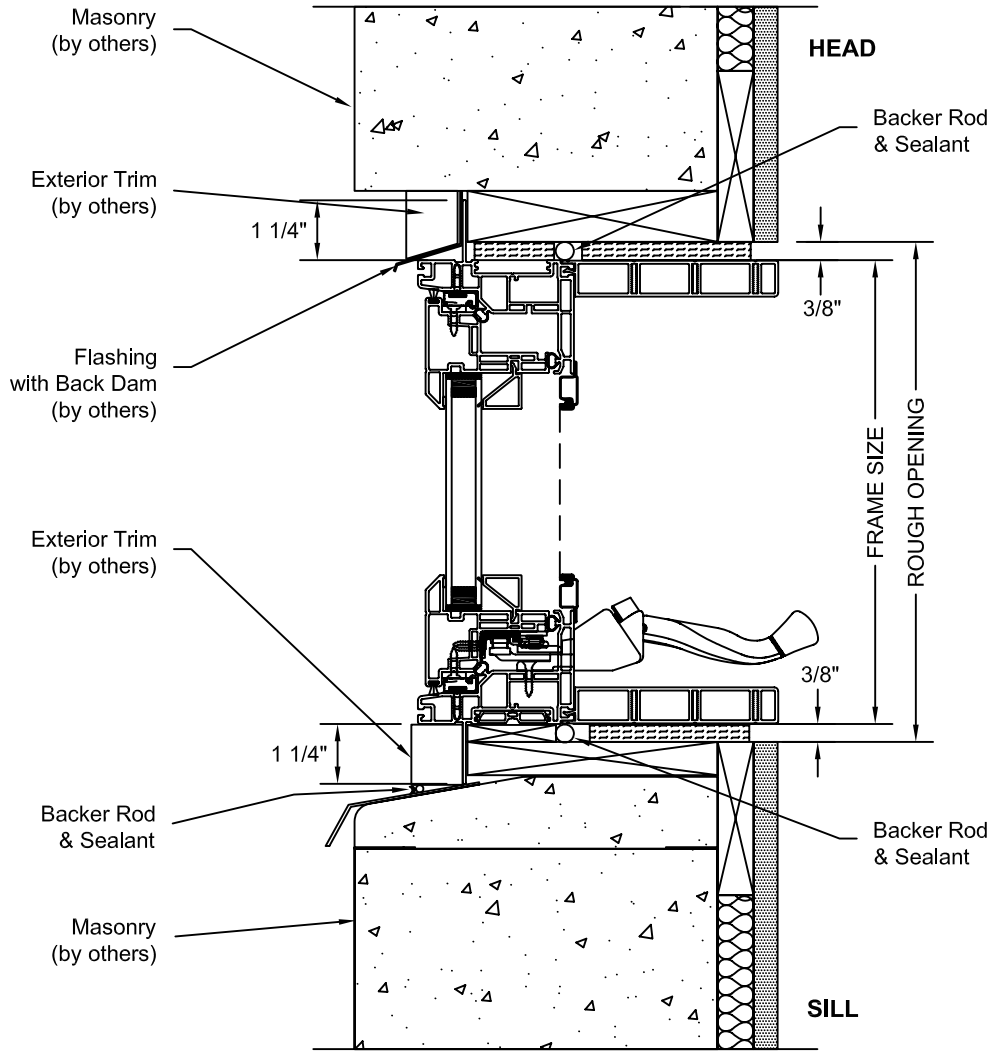
SCALE: 3" = 1'-0"



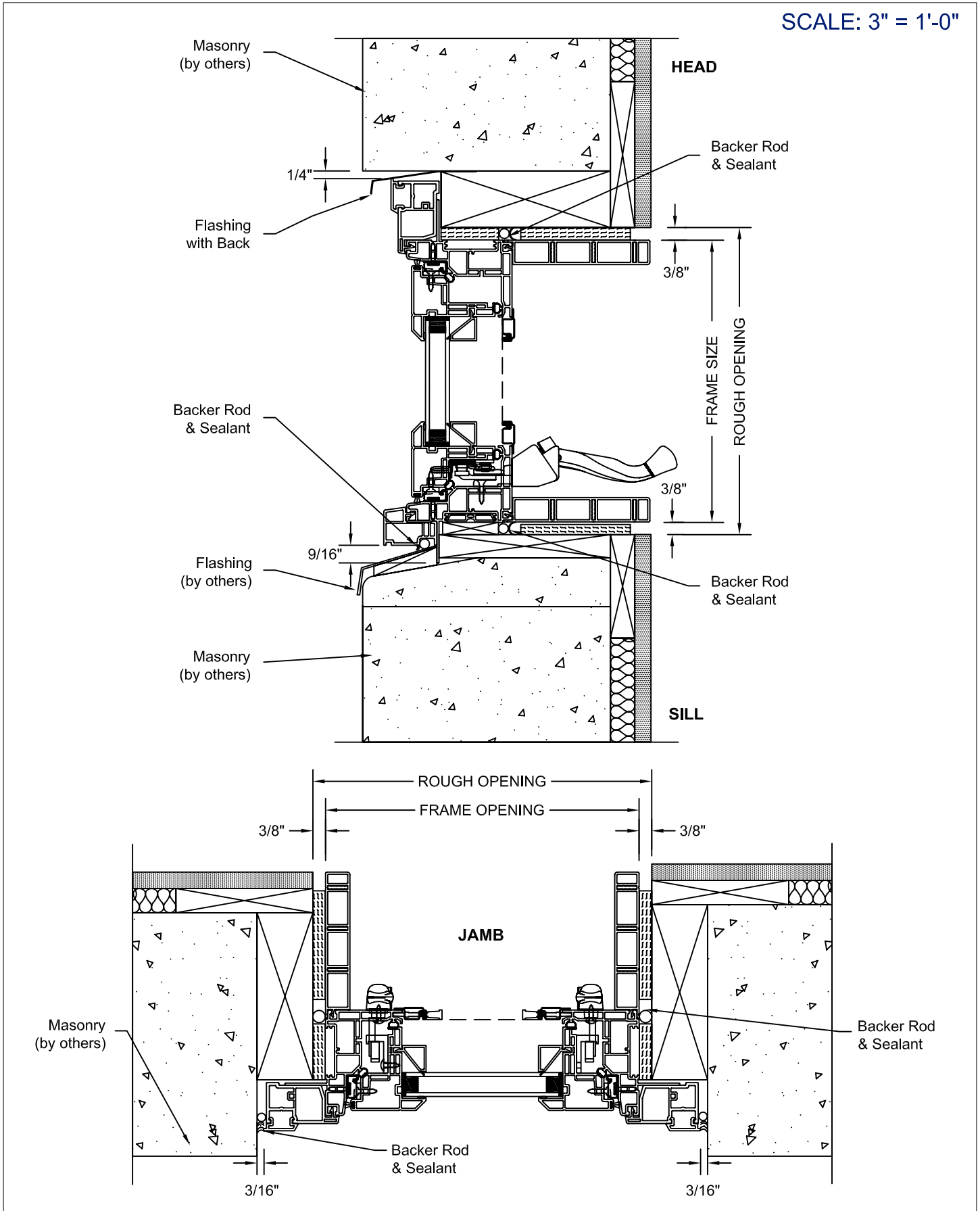
SCALE: 3" = 1'-0"



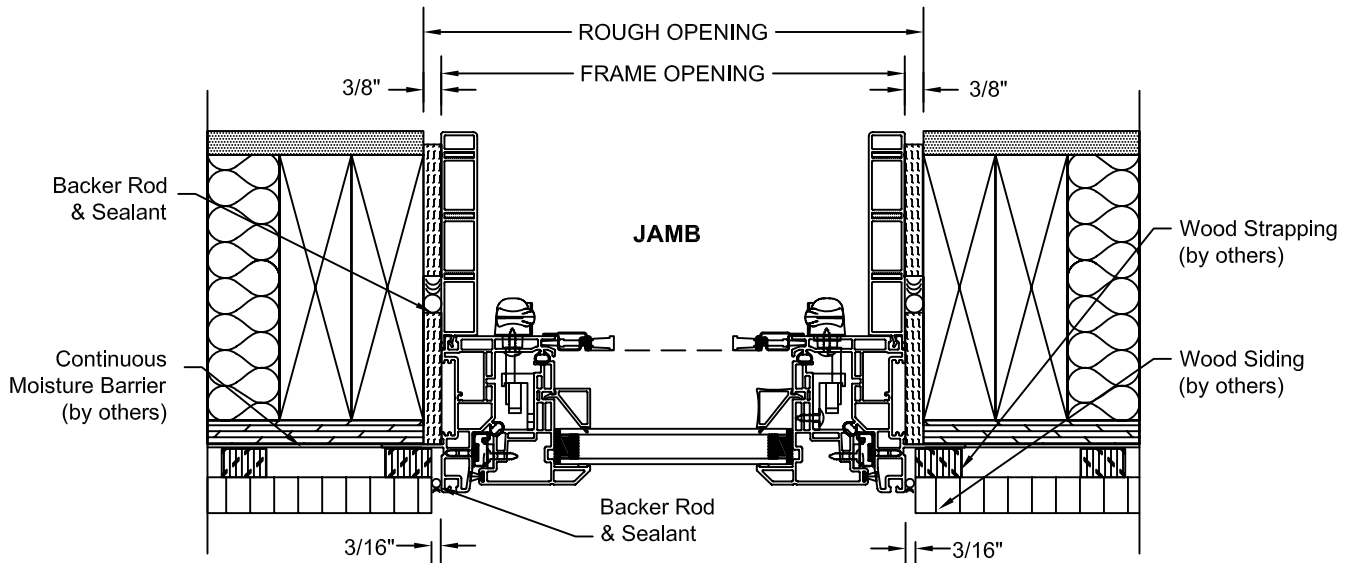
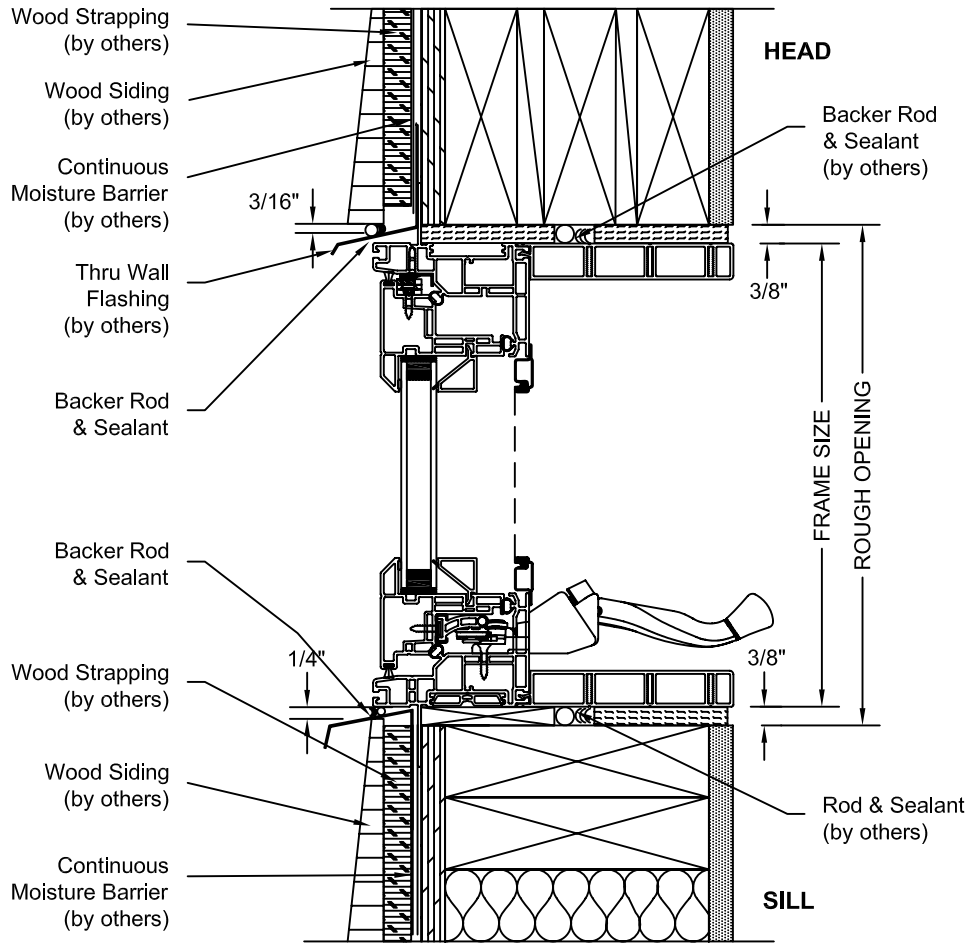
SCALE: 3" = 1'-0"



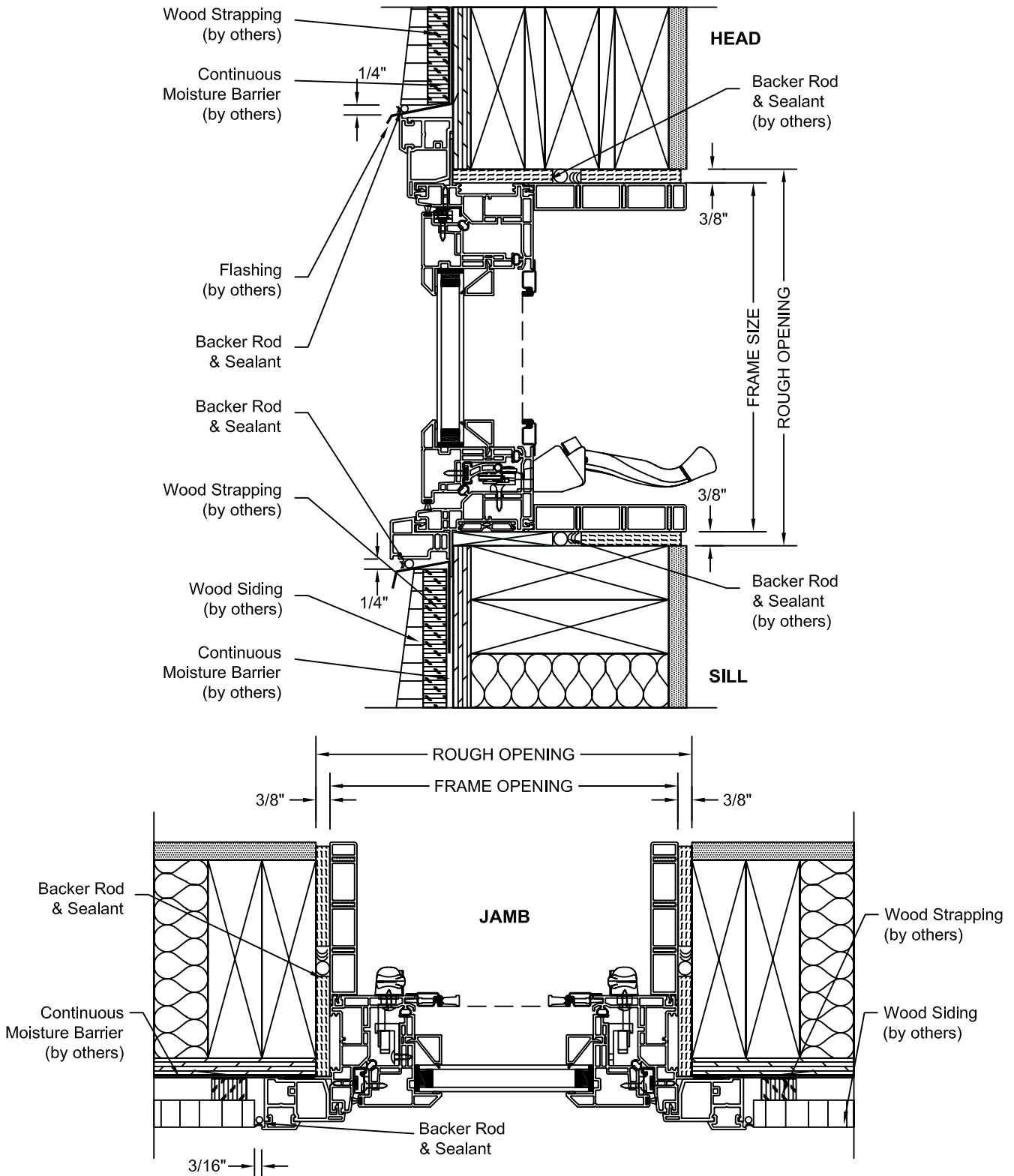
SCALE: 3" = 1'-0"



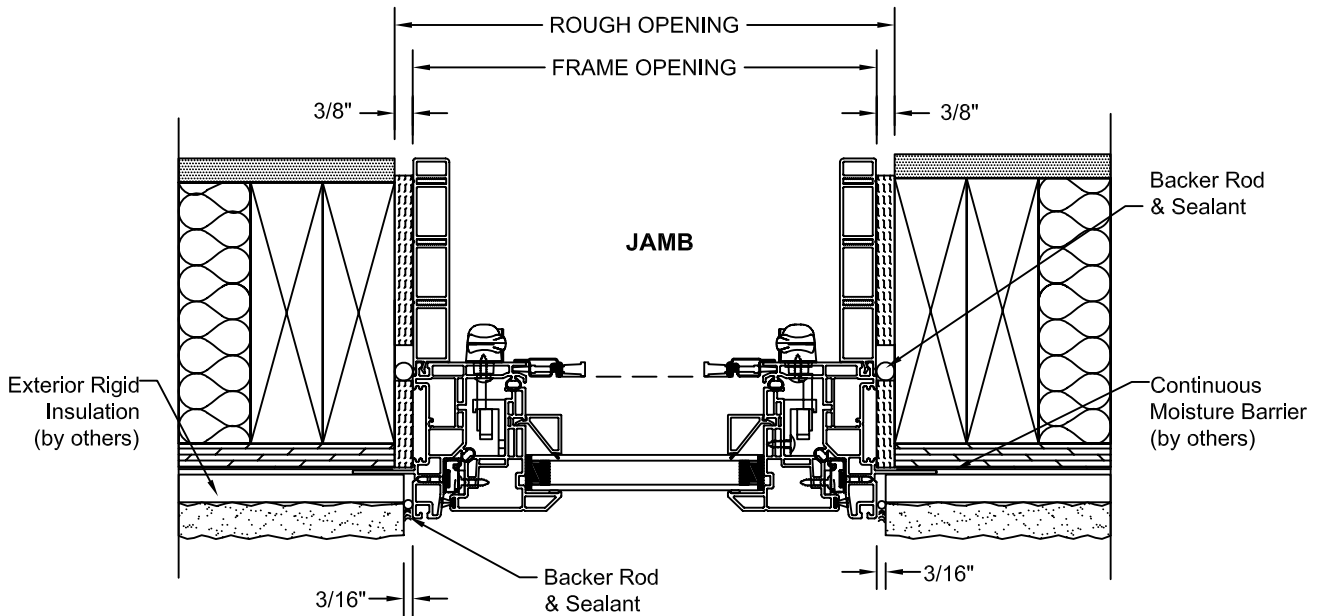
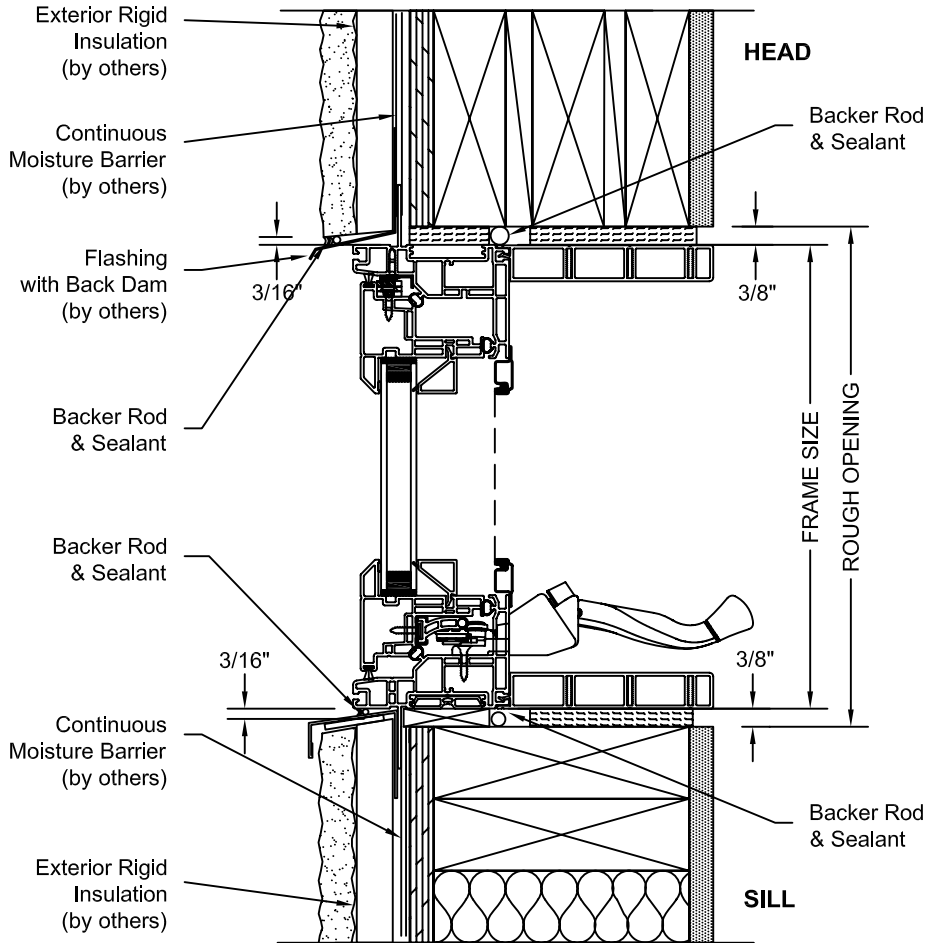
SCALE: 3" = 1'-0"



SCALE: 3" = 1'-0"



SCALE: 3" = 1'-0"



SCALE: 3" = 1'-0"

