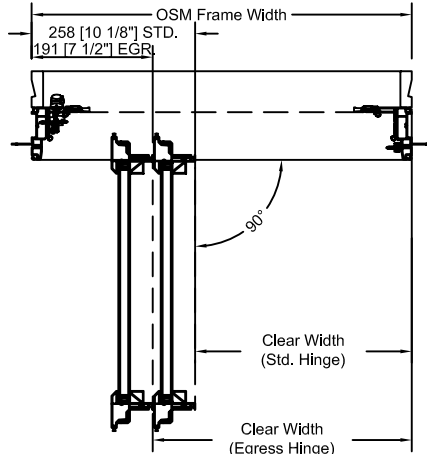
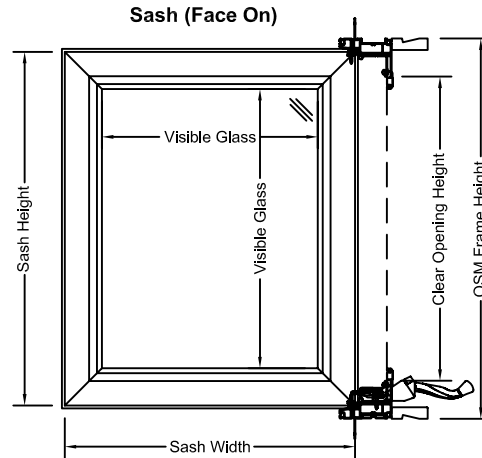


Specification	Standard Features	Optional Features <small>Some options may require additional lead time. Consult your JELD-WEN Sales Representative.</small>
<b>Colour</b>	<ul style="list-style-type: none"> <li>• White or Desert Sand</li> </ul>	<ul style="list-style-type: none"> <li>• Full Exterior and Exterior Trim Colours (White Interior)</li> <li>• Desert Sand</li> <li>• Red</li> <li>• Brown</li> <li>• Mist Grey</li> <li>• Blue</li> <li>• Linen</li> <li>• Green</li> <li>• Ivory</li> <li>• Slate</li> <li>• Ivy</li> </ul>
<b>Size</b>	<ul style="list-style-type: none"> <li>• Width 15 3/4" to 35 1/2"</li> <li>• Height 15 3/4" to 71"</li> </ul>	
<b>Frame</b>	<ul style="list-style-type: none"> <li>• 3 1/4" with Integral Nailing Fin (2 1/4" Jamb)</li> </ul>	<ul style="list-style-type: none"> <li>• 1 5/8", 2" and 3 1/2" Brickmould w/Sill Nosing</li> <li>• 3 1/4" Extender</li> <li>• Exterior Casing</li> <li>• Drip Edge</li> <li>• 1 1/4" J-Trim</li> <li>• U-Channel</li> <li>• Sill Expander</li> </ul>
<b>IGU Make-Up</b>	<ul style="list-style-type: none"> <li>• Dualpane</li> </ul>	<ul style="list-style-type: none"> <li>• Tripane</li> </ul>
<b>Glazing</b>	<ul style="list-style-type: none"> <li>• Insulating Clear</li> </ul>	<ul style="list-style-type: none"> <li>• Low-E w/Argon</li> <li>• Rainglass</li> <li>• Gluechip</li> <li>• Bronze</li> <li>• Laminated</li> <li>• Pinhead</li> <li>• Narrow Reed</li> <li>• Sandblasted</li> <li>• Grey</li> <li>• All glass available tempered</li> </ul>
<b>Hardware</b>	<ul style="list-style-type: none"> <li>• Truth® Encore® Hardware <ul style="list-style-type: none"> <li>- Dual Arm Operator,</li> <li>- Folding/Nesting Handle,</li> </ul> </li> <li>• Multipoint Locking System</li> </ul>	<ul style="list-style-type: none"> <li>• Egress</li> <li>• Restrictor Hinge</li> <li>• Motorized Operator</li> <li>• Coastal-Stainless Steel Hinge</li> </ul>
<b>Hardware Colour</b>	<ul style="list-style-type: none"> <li>• White or Desert Sand</li> </ul>	
<b>Screens</b>	<ul style="list-style-type: none"> <li>• Standard Fibreglass Mesh Screen</li> </ul>	
<b>Screen Frame Colour</b>	<ul style="list-style-type: none"> <li>• White or Desert Sand</li> </ul>	
<b>Grilles</b>		<ul style="list-style-type: none"> <li>• 5/8" Wide IGU (Internal Grille Unit)</li> <li>• 5/16" Narrow IGU (Internal Grille Unit)</li> <li>• 7/8", 1 1/8", 1 3/8", 2 1/4" SDL (Simulated Divided Lite)</li> </ul>
<b>Jamb Depth</b>	<ul style="list-style-type: none"> <li>• 2 1/4"</li> </ul>	<ul style="list-style-type: none"> <li>• 3 1/4"</li> <li>• 6 1/2"</li> <li>• 4 1/2"</li> <li>• Available up to 12 1/2"</li> </ul>
<b>Jamb Options</b>		<ul style="list-style-type: none"> <li>• Vinyl Jamb Extension</li> <li>• Paint Grade Wood</li> <li>• Pacific Coast Hemlock</li> <li>• Oak</li> </ul>



**Horizontal**











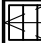
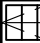
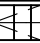














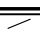






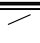






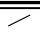






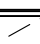






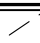






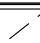
**STANDARD HARDWARE**

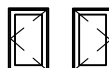
\* Meets Egress with Standard Hardware  
\*\* Meets Egress with Egress Hardware

**EGRESS HARDWARE**

Code Size	Venting Area (sq.ft.)	Code Size	Venting Area (sq.ft.)	Code Size	Venting Area (sq.ft.)	Code Size	Venting Area (sq.ft.)
44	= 0.43	78	= 3.24 **	44	= 0.63	78	= 3.73
45	= 0.58	79	= 3.71 **	45	= 0.89	79	= 4.27
46	= 0.74	710	= 4.19 *	46	= 1.16	710	= 4.82
47	= 0.89	712	= 5.14 *	47	= 1.42	712	= 5.92
475	= 0.97	714	= 6.09 *	475	= 1.55	714	= 7.01
48	= 1.04	715	= 6.57 *	48	= 1.68	715	= 7.56
49	= 1.20	716	= 7.04 *	49	= 1.94	716	= 8.11
410	= 1.35	718	= 8.00 *	410	= 2.20	718	= 9.20
412	= 1.66			412	= 2.72		
414	= 1.96	756	= 2.54	414	= 3.24	756	= 2.89
415	= 2.12	757	= 3.07	415	= 3.50	757	= 3.49
416	= 2.27	7575	= 3.34 **	416	= 3.77	7575	= 3.79
418	= 2.58	758	= 3.61 **	418	= 4.29	758	= 4.09
		759	= 4.13 *			759	= 4.69
54	= 0.73	7510	= 4.67 *	54	= 0.89	7510	= 5.30
55	= 0.99	7512	= 5.73 *	55	= 1.26	7512	= 6.50
56	= 1.25	7514	= 6.79 *	56	= 1.63	7514	= 7.70
57	= 1.51	7515	= 7.31 *	57	= 2.00	7515	= 8.31
575	= 1.64	7516	= 7.85 *	575	= 2.18	7516	= 8.91
58	= 1.77	7518	= 8.91 *	58	= 2.37	7518	= 10.11
59	= 2.03			59	= 2.74		
510	= 2.30	86	= 2.80	510	= 3.11	86	= 3.15
512	= 2.82	87	= 3.39	512	= 3.84	87	= 3.80
514	= 3.34	875	= 3.68 **	514	= 4.58	875	= 4.13
515	= 3.60	88	= 3.97 *	515	= 4.95	88	= 4.46
516	= 3.86	89	= 4.55 *	516	= 5.32	89	= 5.11
518	= 4.38	810	= 5.14 *	518	= 6.05	810	= 5.77
		812	= 6.31 *			812	= 7.08
65	= 1.40	814	= 7.48 *	65	= 1.63	814	= 8.39
66	= 1.77	815	= 8.06 *	66	= 2.11	815	= 9.05
67	= 2.14	816	= 8.64 *	67	= 2.58	816	= 9.71
675	= 2.32	818	= 9.81 *	675	= 2.82	818	= 11.02
68	= 2.51			68	= 3.06		
69	= 2.87	96	= 3.32	69	= 3.54	96	= 3.66
610	= 3.24 **	97	= 4.01 *	610	= 4.01	97	= 4.43
612	= 3.98 **	975	= 4.36 *	612	= 4.97	975	= 4.81
614	= 4.72 **	98	= 4.39 *	614	= 5.97	98	= 5.19
615	= 5.09 **	99	= 5.03 *	615	= 6.39	99	= 5.95
616	= 5.45 **	910	= 5.68 *	616	= 6.87	910	= 6.72
618	= 6.19 **	912	= 6.97 *	618	= 7.82	912	= 8.24
		914	= 8.26 *			914	= 9.77
76	= 2.29	915	= 8.90 *	76	= 2.58	915	= 10.53
77	= 2.76	916	= 9.54 *	77	= 3.18	916	= 11.30
775	= 3.00	918	= 10.84 *	775	= 3.45	918	= 12.82

SCALE: 1/8" = 1'-0"

RO OSM	16 5/8" (422) 15 3/4" (400)	20 1/2" (522) 19 11/16" (500)	24 1/2" (622) 23 5/8" (600)	28 3/8" (722) 27 9/16" (700)	30 3/8" (772) 29 1/2" (750)	32 3/8" (822) 31 1/2" (800)	36 1/4" (922) 35 1/2" (900)
16 5/8" (422) 15 3/4" (400)	 44-1L,1R	 54-1L,1R					
20 1/2" (522) 19 11/16" (500)	 45-1L,1R	 55-1L,1R	 65-1L,1R				
24 1/2" (622) 23 5/8" (600)	 46-1L,1R	 56-1L,1R	 66-1L,1R	 76-1L,1R	 756-1L,1R	 86-1L,1R	 96-1L,1R
28 3/8" (722) 27 9/16" (700)	 47-1L,1R	 57-1L,1R	 67-1L,1R	 77-1L,1R	 757-1L,1R	 87-1L,1R	 97-1L,1R
30 3/8" (772) 29 1/2" (750)	 475-1L,1R	 575-1L,1R	 675-1L,1R	 775-1L,1R	 7575-1L,1R	 875-1L,1R	 975-1L,1R
32 3/8" (822) 31 1/2" (800)	 48-1L,1R	 58-1L,1R	 68-1L,1R	 78-1L,1R	 758-1L,1R	 88-1L,1R	 98-1L,1R
36 1/4" (922) 35 1/2" (900)	 49-1L,1R	 59-1L,1R	 69-1L,1R	 79-1L,1R	 759-1L,1R	 89-1L,1R	 99-1L,1R
40 1/4" (1022) 39 1/2" (1000)	 410-1L,1R	 510-1L,1R	 610-1L,1R	 710-1L,1R	 7510-1L,1R	 810-1L,1R	 910-1L,1R
48 1/8" (1222) 47 1/4" (1200)	 412-1L,1R	 512-1L,1R	 612-1L,1R	 712-1L,1R	 7512-1L,1R	 812-1L,1R	 912-1L,1R
56" (1422) 55 1/8" (1400)	 414-1L,1R	 514-1L,1R	 614-1L,1R	 714-1L,1R	 7514-1L,1R	 814-1L,1R	 914-1L,1R



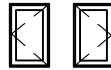
-1L -1R

(Units viewed from outside)

1 = 1 wide  
L = Left hand hinge  
R = Right hand hinge

SCALE: 1/8" = 1'-0"

RO OSM	16 5/8" (422) 15 3/4" (400)	20 1/2" (522) 19 11/16" (500)	24 1/2" (622) 23 5/8" (600)	28 3/8" (722) 27 9/16" (700)	30 3/8" (772) 29 1/2" (750)	32 3/8" (822) 31 1/2" (800)	36 1/4" (922) 35 1/2" (900)
59 7/8" (1522) 59" (1500)							
	415-1L,1R	515-1L,1R	615-1L,1R	715-1L,1R	7515-1L,1R	815-1L,1R	915-1L,1R
63 7/8" (1622) 63" (1600)							
	416-1L,1R	516-1L,1R	616-1L,1R	716-1L,1R	7516-1L,1R	816-1L,1R	916-1L,1R
71 3/4" (1822) 70 7/8" (1800)							
	418-1L,1R	518-1L,1R	618-1L,1R	718-1L,1R	7518-1L,1R	818-1L,1R	918-1L,1R



-1L -1R

(Units viewed from outside)

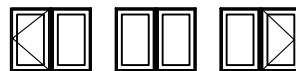
1 = 1 wide

L = Left hand hinge

R = Right hand hinge

SCALE: 1/8" = 1'-0"

RO OSM	32 3/8" (822) 31 1/2" (800)	40 1/4" (1022) 39 1/2" (1000)	48 1/8" (1222) 47 1/4" (1200)	56" (1422) 55 1/8" (1400)	59 7/8" (1522) 59" (1500)	63 7/8" (1622) 63" (1600)	71 3/4" (1822) 70 7/8" (1800)
16 5/8" (422) 15 3/4" (400)	44-2LR	54-2LR					
20 1/2" (522) 19 11/16" (500)	45-2LR	55-2LR	65-2LR				
24 1/2" (622) 23 5/8" (600)	46-2LR	56-2LR	66-2LR	76-2LR	756-2LR	86-2LR	96-2LR
28 3/8" (722) 27 9/16" (700)	47-2LR	57-2LR	67-2LR	77-2LR	757-2LR	87-2LR	97-2LR
30 3/8" (772) 29 1/2" (750)	475-2LR	575-2LR	675-2LR	775-2LR	7575-2LR	875-2LR	975-2LR
32 3/8" (822) 31 1/2" (800)	48-2LR	58-2LR	68-2LR	78-2LR	758-2LR	88-2LR	98-2LR
36 1/4" (922) 35 1/2" (900)	49-2LR	59-2LR	69-2LR	79-2LR	759-2LR	89-2LR	99-2LR
40 1/4" (1022) 39 1/2" (1000)	410-2LR	510-2LR	610-2LR	710-2LR	7510-2LR	810-2LR	910-2LR
48 1/8" (1222) 47 1/4" (1200)	412-2LR	512-2LR	612-2LR	712-2LR	7512-2LR	812-2LR	912-2LR
56" (1422) 55 1/8" (1400)	414-2LR	514-2LR	614-2LR	714-2LR	7514-2LR	814-2LR	914-2LR

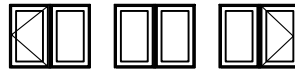


-2LF    -2FF    -2FR  
(Units viewed from outside)

2 = 2 wide  
L = Left hand hinge  
F = Fixed (non-venting)  
R = Right hand hinge

SCALE: 1/8" = 1'-0"

RO	32 3/8" (822)	40 1/4" (1022)	48 1/8" (1222)	56" (1422)	59 7/8" (1522)	63 7/8" (1622)	71 3/4" (1822)
OSM	31 1/2" (800)	39 1/2" (1000)	47 1/4" (1200)	55 1/8" (1400)	59" (1500)	63" (1600)	70 7/8" (1800)
59 7/8" (1522) 59" (1500)							
	415-2LR	515-2LR	615-2LR	715-2LR	7515-2LR	815-2LR	915-2LR
63 7/8" (1622) 63" (1600)							
	416-2LR	516-2LR	616-2LR	716-2LR	7516-2LR	816-2LR	916-2LR
71 3/4" (1822) 70 7/8" (1800)							
	418-2LR	518-2LR	618-2LR	718-2LR	7518-2LR	818-2LR	918-2LR



-2LF      -2FF      -2FR

(Units viewed from outside)

- 2 = 2 wide
- L = Left hand hinge
- F = Fixed (non-venting)
- R = Right hand hinge

SCALE: 1/8" = 1'-0"

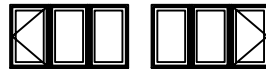
RO	48 1/8" (1222)	59 7/8" (1522)	71 3/4" (1822)	83 1/2" (2122)	89 3/8" (2272)	95 3/8" (2422)	107 1/8" (2722)
OSM	47 1/4" (1200)	59" (1500)	70 7/8" (1800)	82 5/8" (2100)	88 5/8" (2250)	94 1/2" (2400)	106 1/4" (2700)
16 5/8" (422) 15 3/4" (400)							
	44-3LFR	54-3LFR					
20 1/2" (522) 19 11/16" (500)							
	45-3LFR	55-3LFR	65-3LFR				
24 1/2" (622) 23 5/8" (600)							
	46-3LFR	56-3LFR	66-3LFR	76-3LFR	756-3LFR	86-3LFR	96-3LFR
28 3/8" (722) 27 9/16" (700)							
	47-3LFR	57-3LFR	67-3LFR	77-3LFR	757-3LFR	87-3LFR	97-3LFR
30 3/8" (772) 29 1/2" (750)							
	475-3LFR	575-3LFR	675-3LFR	775-3LFR	7575-3LFR	875-3LFR	975-3LFR
32 3/8" (822) 31 1/2" (800)							
	48-3LFR	58-3LFR	68-3LFR	78-3LFR	758-3LFR	88-3LFR	98-3LFR
36 1/4" (922) 35 1/2" (900)							
	49-3LFR	59-3LFR	69-3LFR	79-3LFR	759-3LFR	89-3LFR	99-3LFR
40 1/4" (1022) 39 1/2" (1000)							
	410-3LFR	510-3LFR	610-3LFR	710-3LFR	7510-3LFR	810-3LFR	910-3LFR
48 1/8" (1222) 47 1/4" (1200)							
	412-3LFR	512-3LFR	612-3LFR	712-3LFR	7512-3LFR	812-3LFR	912-3LFR
56" (1422) 55 1/8" (1400)							
	414-3LFR	514-3LFR	614-3LFR	714-3LFR	7514-3LFR	814-3LFR	914-3LFR



-3LFF      -3FFR  
(Units viewed from outside)  
3 = 3 wide  
L = Left hand hinge  
F = Fixed (non-venting)  
R = Right hand hinge

SCALE: 1/8" = 1'-0"

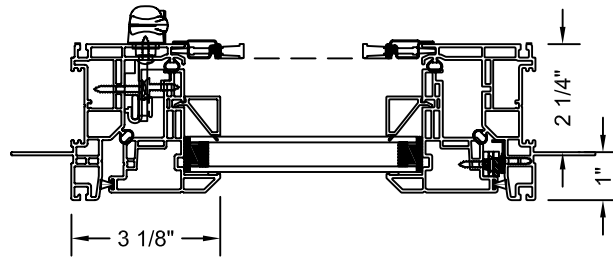
RO	48 1/8" (1222)	59 7/8" (1522)	71 3/4" (1822)	83 1/2" (2122)	89 3/8" (2272)	95 3/8" (2422)	107 1/8" (2722)
OSM	47 1/4" (1200)	59" (1500)	70 7/8" (1800)	82 5/8" (2100)	88 5/8" (2250)	94 1/2" (2400)	106 1/4" (2700)
59 7/8" (1522) 59" (1500)							
	415-3LFR	515-3LFR	615-3LFR	715-3LFR	7515-3LFR	815-3LFR	915-3LFR
63 7/8" (1622) 63" (1600)							
	416-3LFR	516-3LFR	616-3LFR	716-3LFR	7516-3LFR	816-3LFR	916-3LFR
71 3/4" (1822) 70 7/8" (1800)							
	418-3LFR	518-3LFR	618-3LFR	718-3LFR	7518-3LFR	818-3LFR	918-3LFR



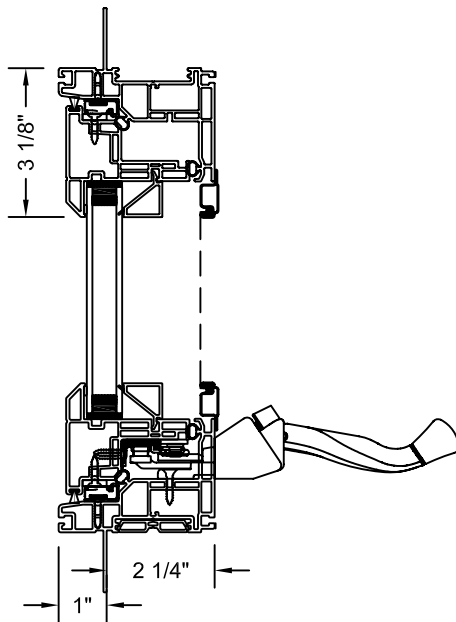
-3LFF      -3FFR  
(Units viewed from outside)  
3 = 3 wide  
L = Left hand hinge  
F = Fixed (non-venting)  
R = Right hand hinge



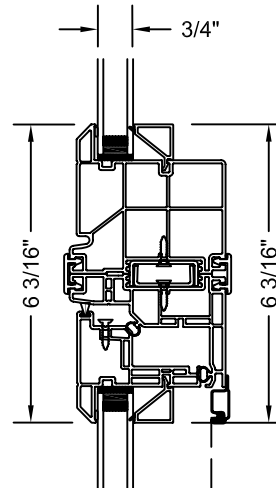
SCALE: 3" = 1'-0"



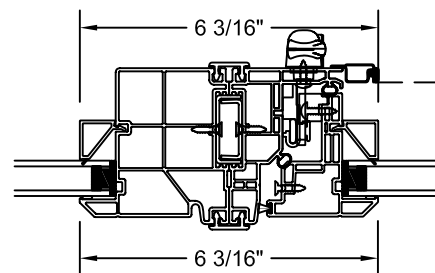
**HORIZONTAL  
SECTION DETAIL**



**VERTICAL  
SECTION DETAIL**

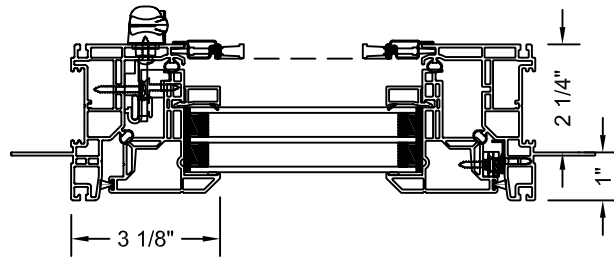


**VERTICAL MULLION  
SECTION DETAIL**

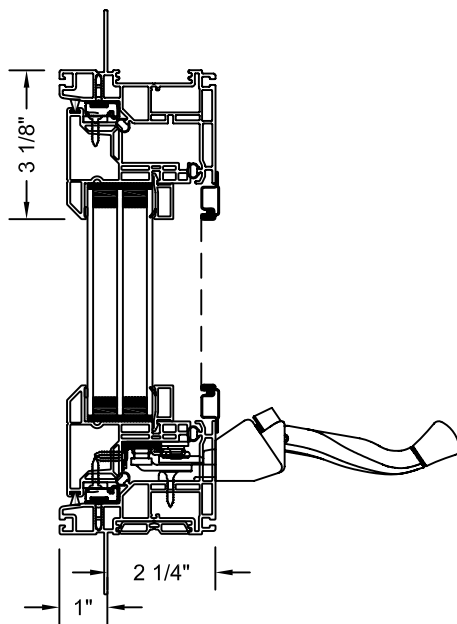


**HORIZONTAL MULLION  
SECTION DETAIL**

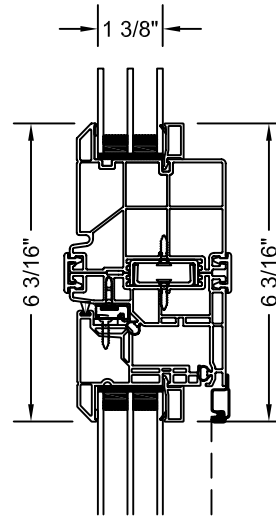
SCALE: 3" = 1'-0"



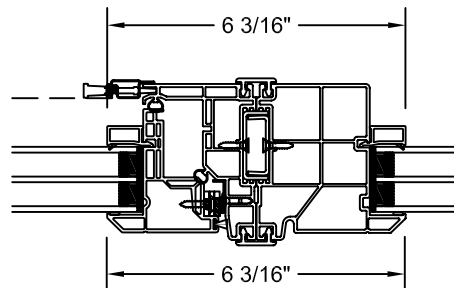
**HORIZONTAL  
SECTION DETAIL**



**VERTICAL  
SECTION DETAIL**

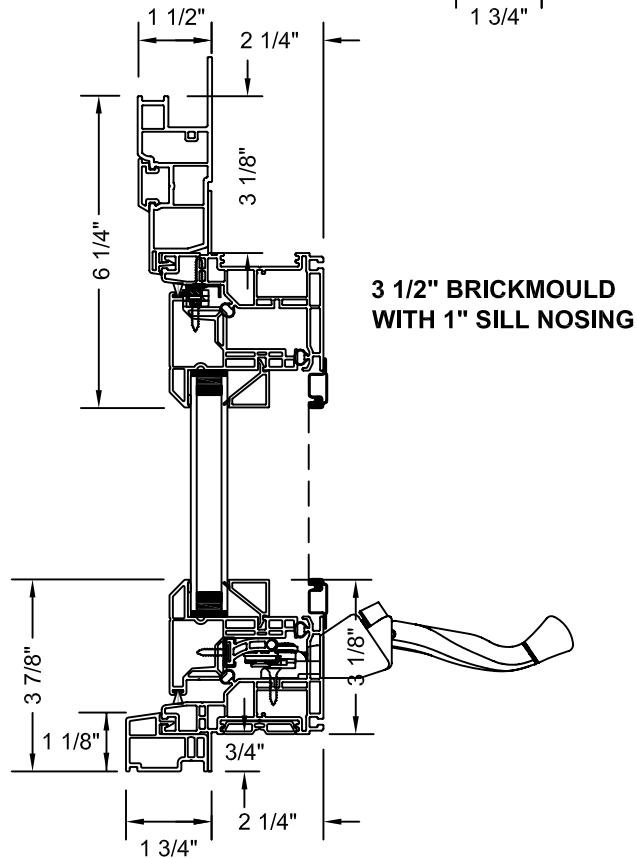
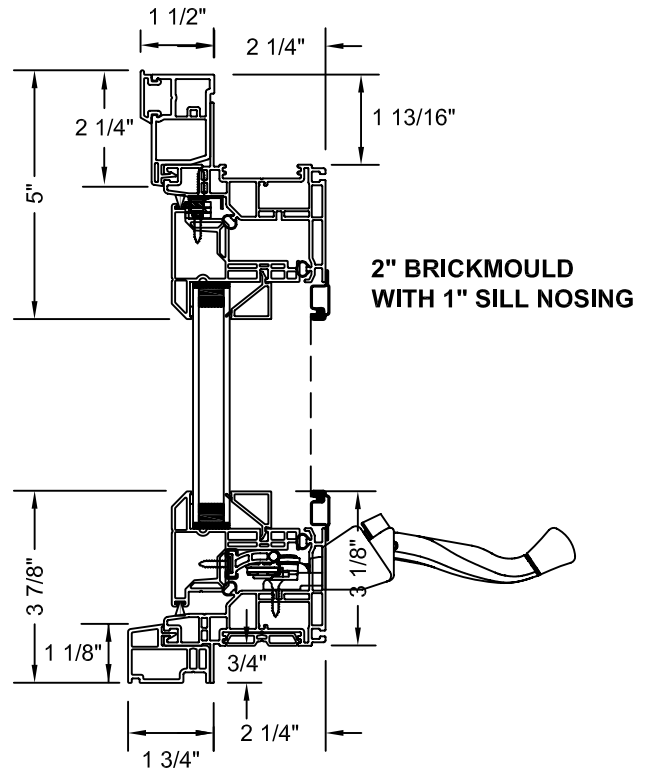
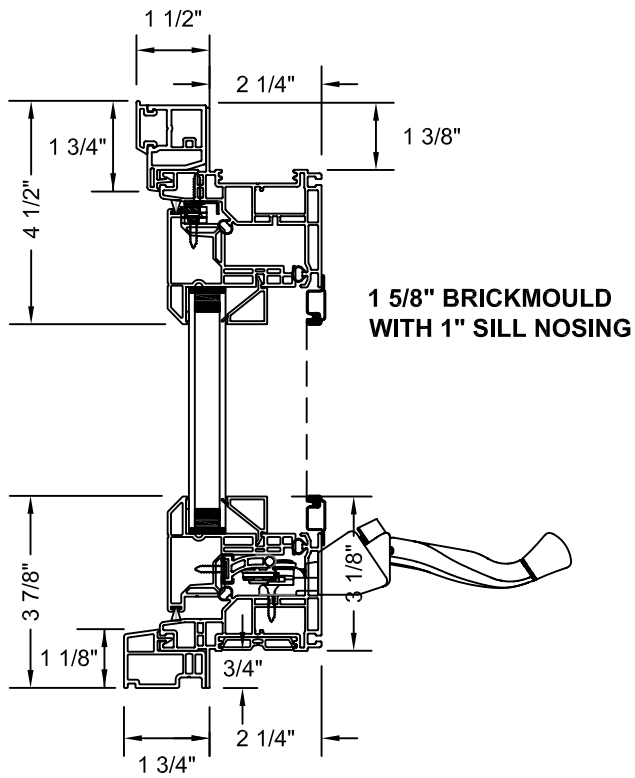


**VERTICAL MULLION  
SECTION DETAIL**



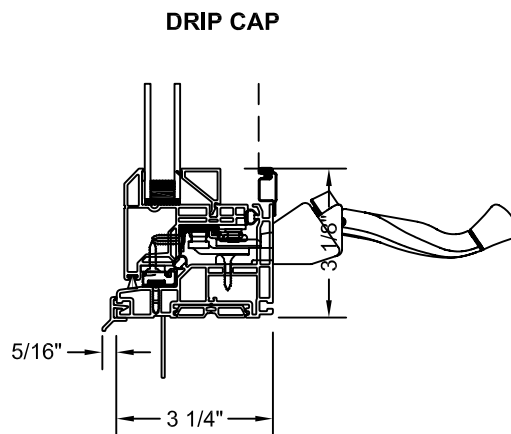
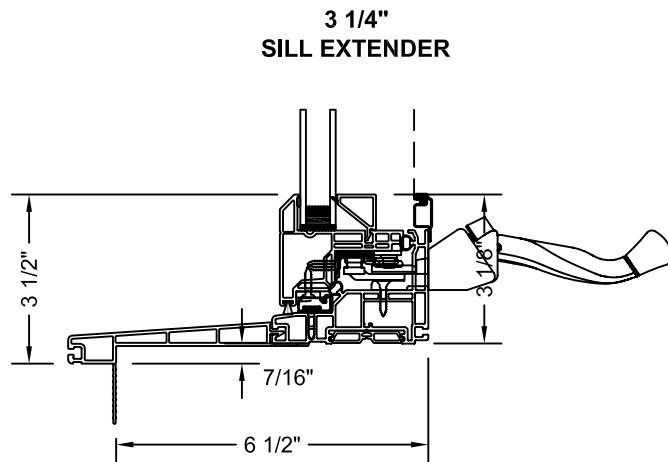
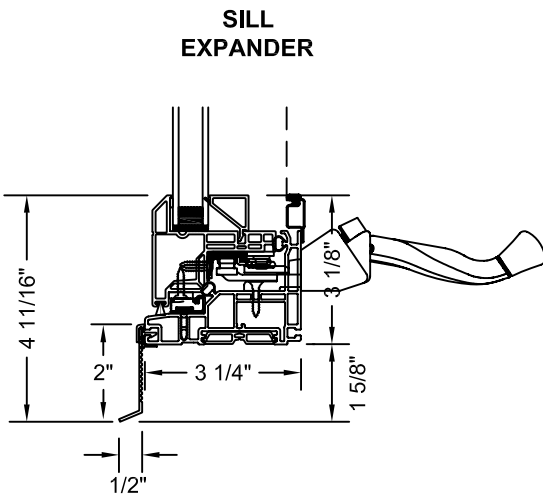
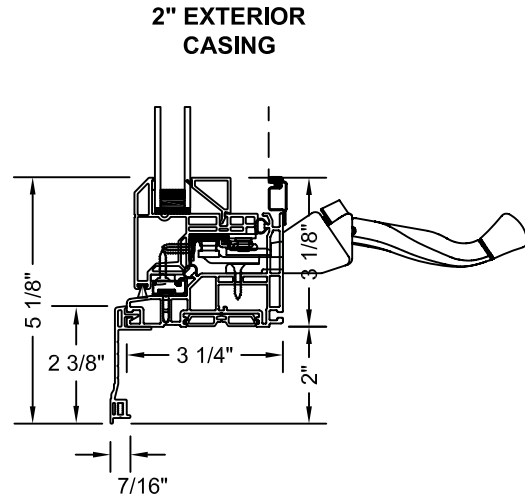
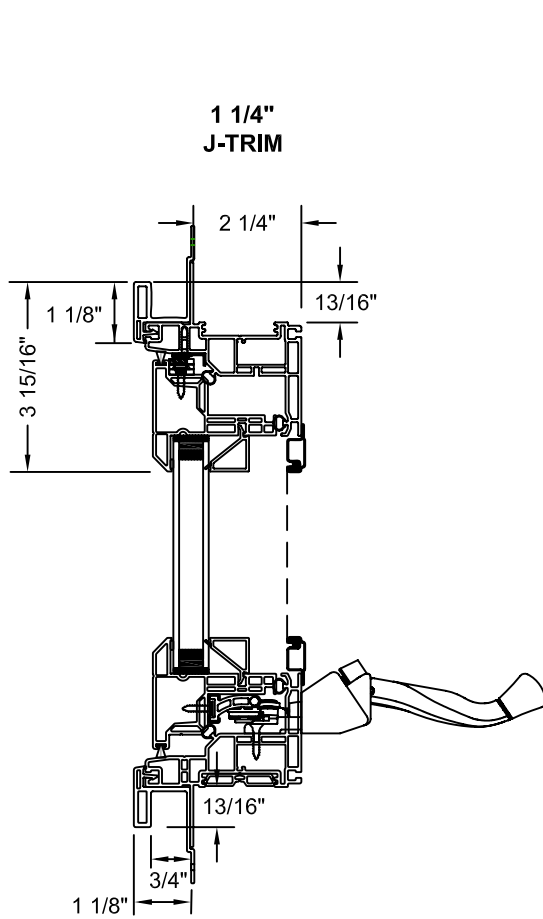
**HORIZONTAL MULLION  
SECTION DETAIL**

SCALE: 3" = 1'-0"



Note: Brickmould available all four sides

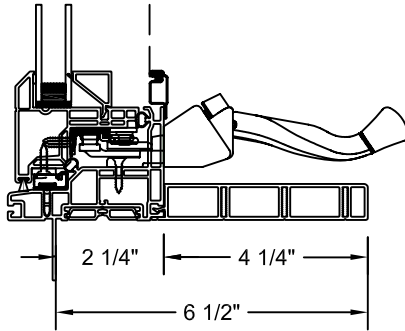
SCALE: 3" = 1'-0"



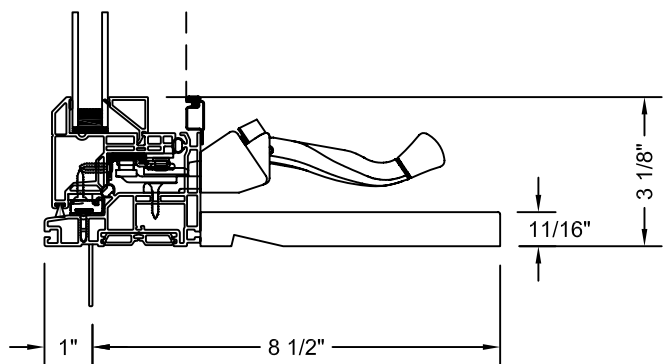
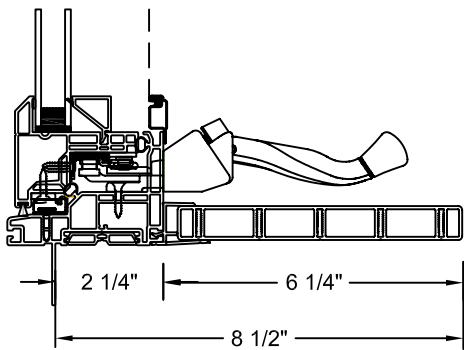
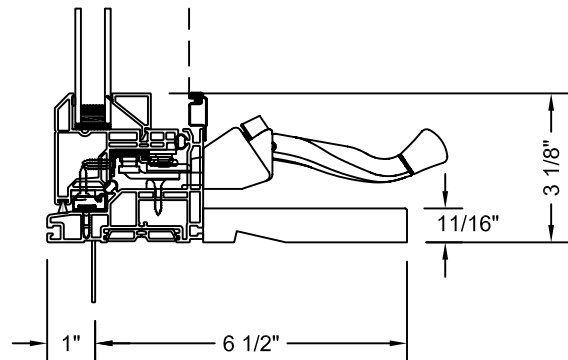
Note: Expander can be trimmed on side to fit

SCALE: 3" = 1'-0"

**VINYL  
JAMB EXTENSIONS**



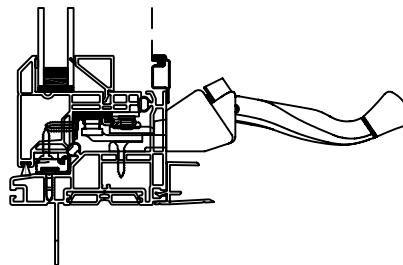
**CLEAR WOOD AND PAINTGRADE WOOD  
JAMB EXTENSIONS**



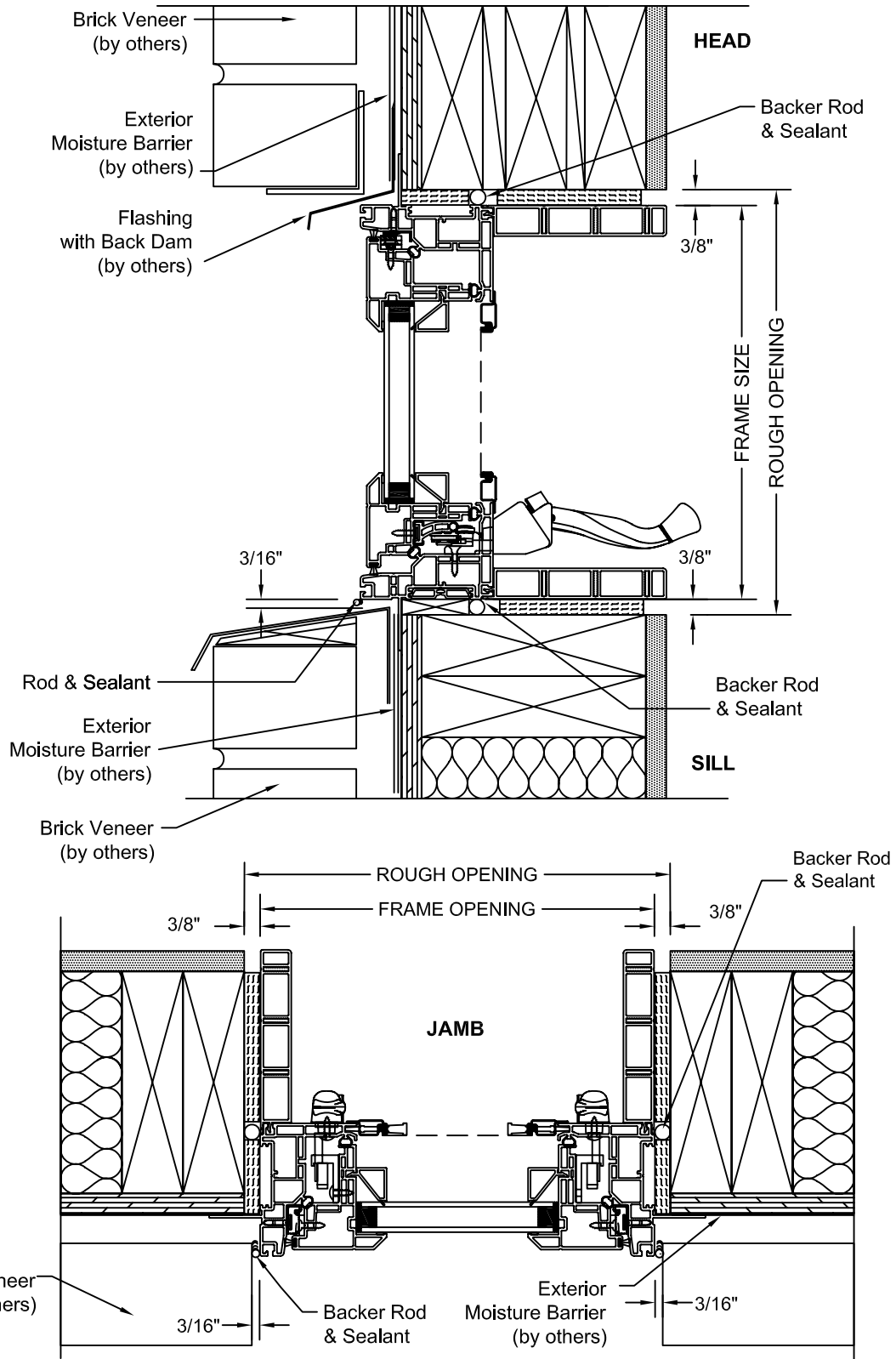
Jamb extensions are available as vinyl, clear wood and paint grade wood - up to jamb widths of 12 1/2" (3/8).  
Please contact your JELD-WEN representative for availability.

**U-CHANNEL**

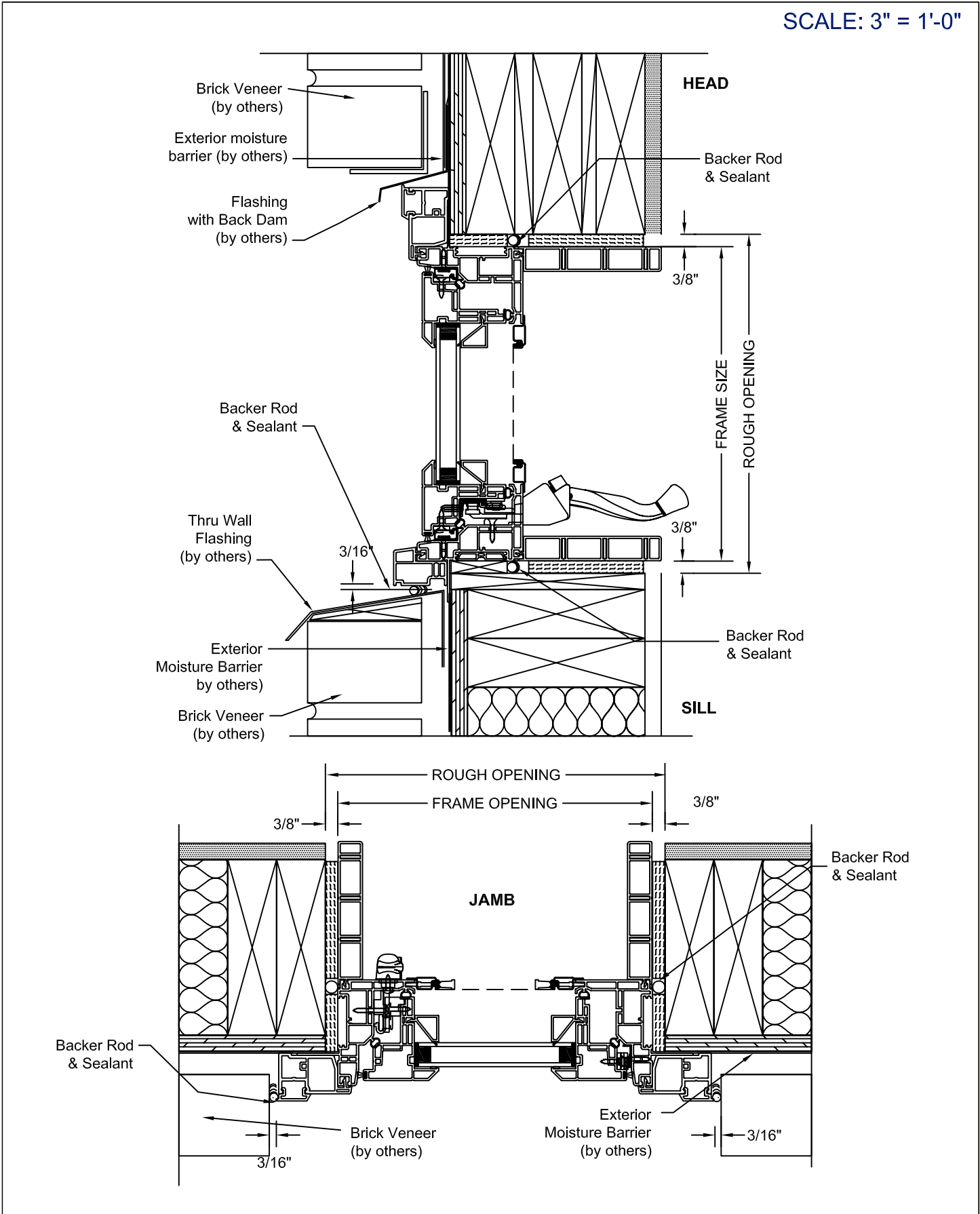
Accepts 1/2" and 3/4" material



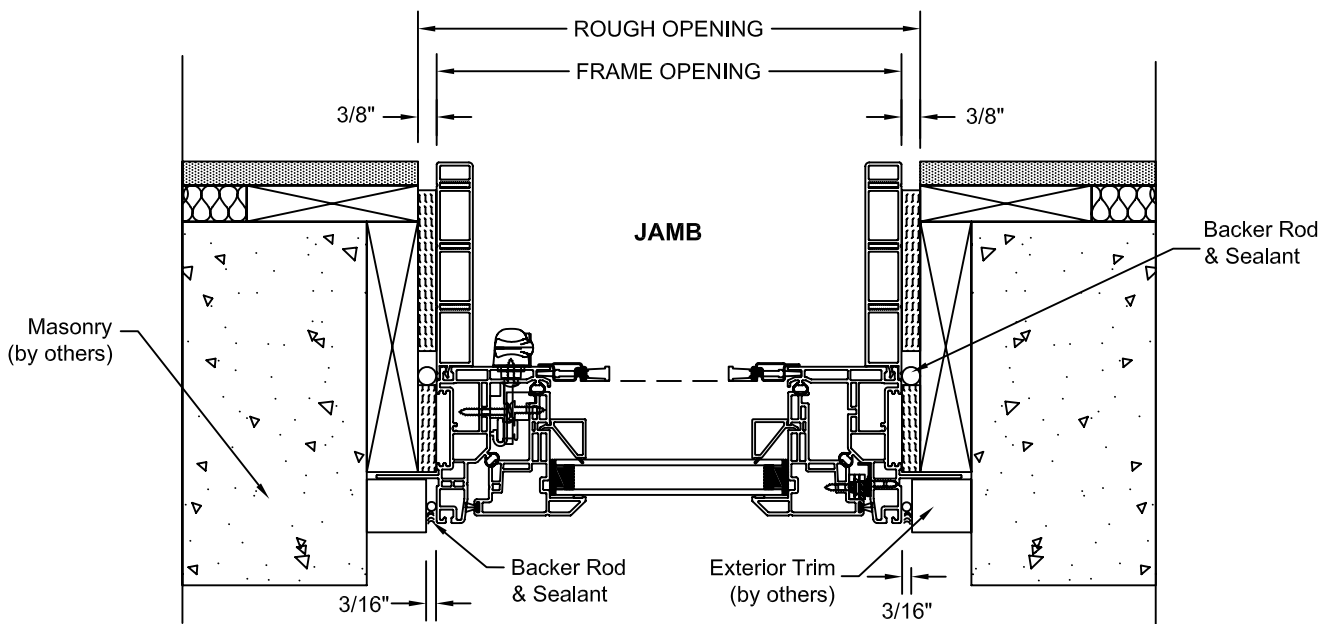
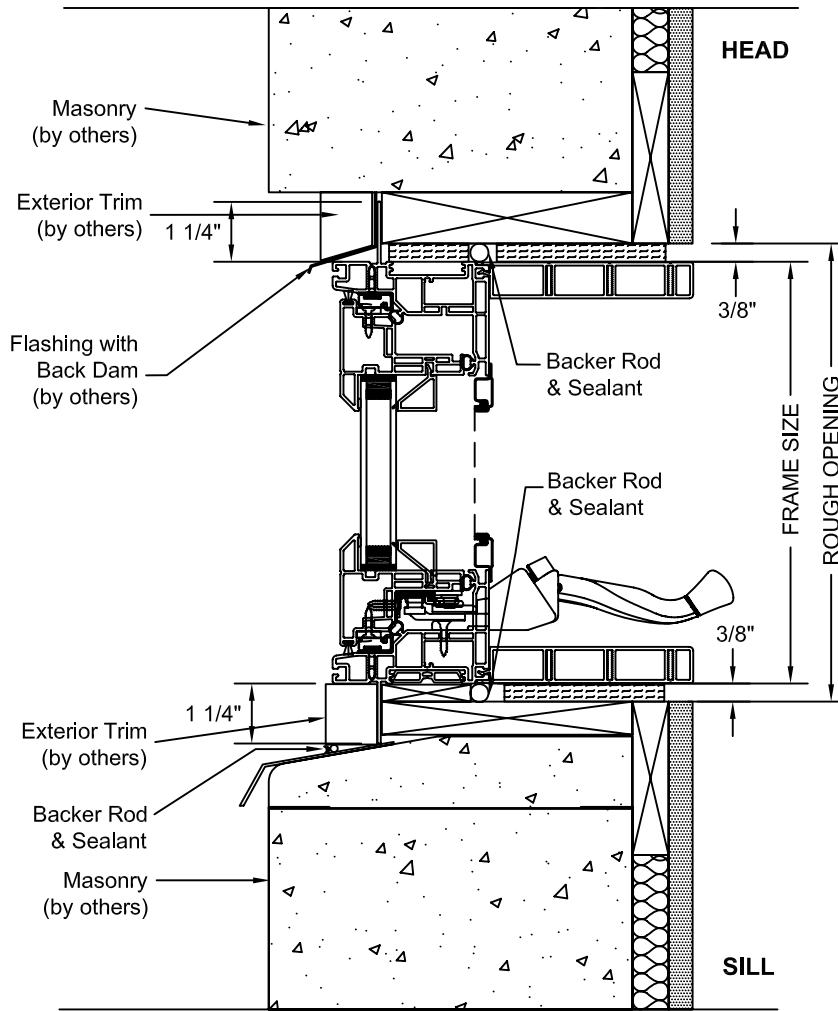
SCALE: 3" = 1'-0"



SCALE: 3" = 1'-0"

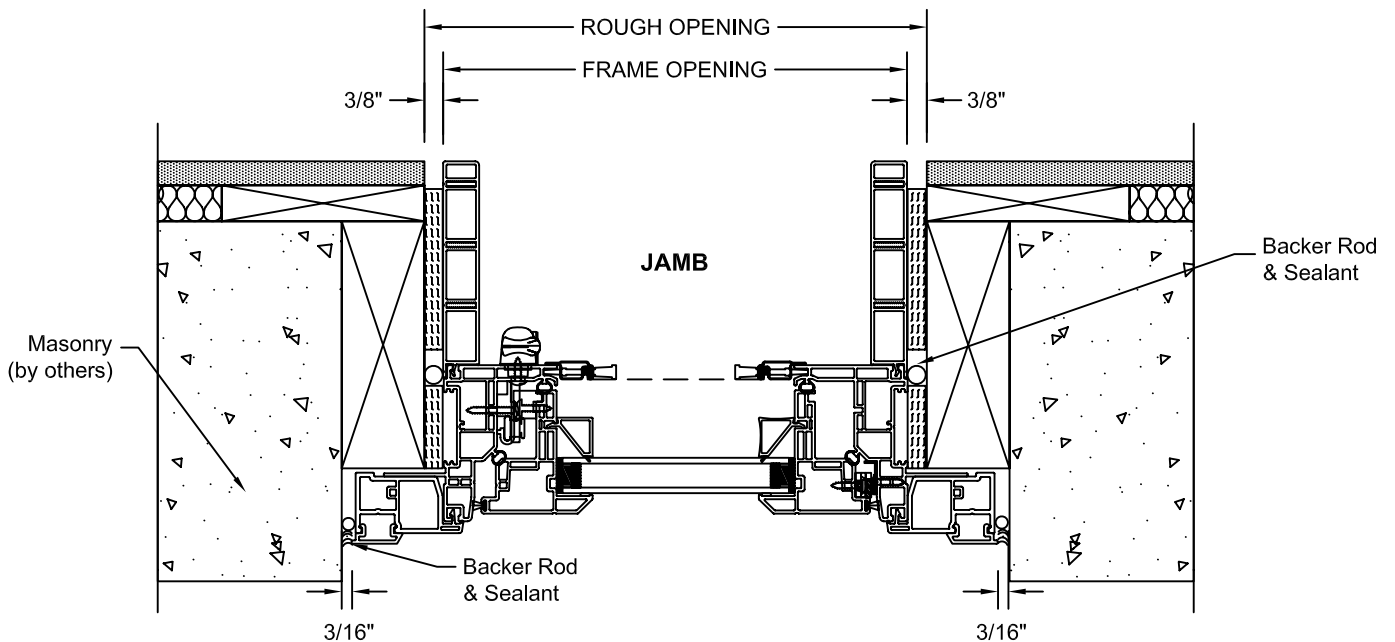
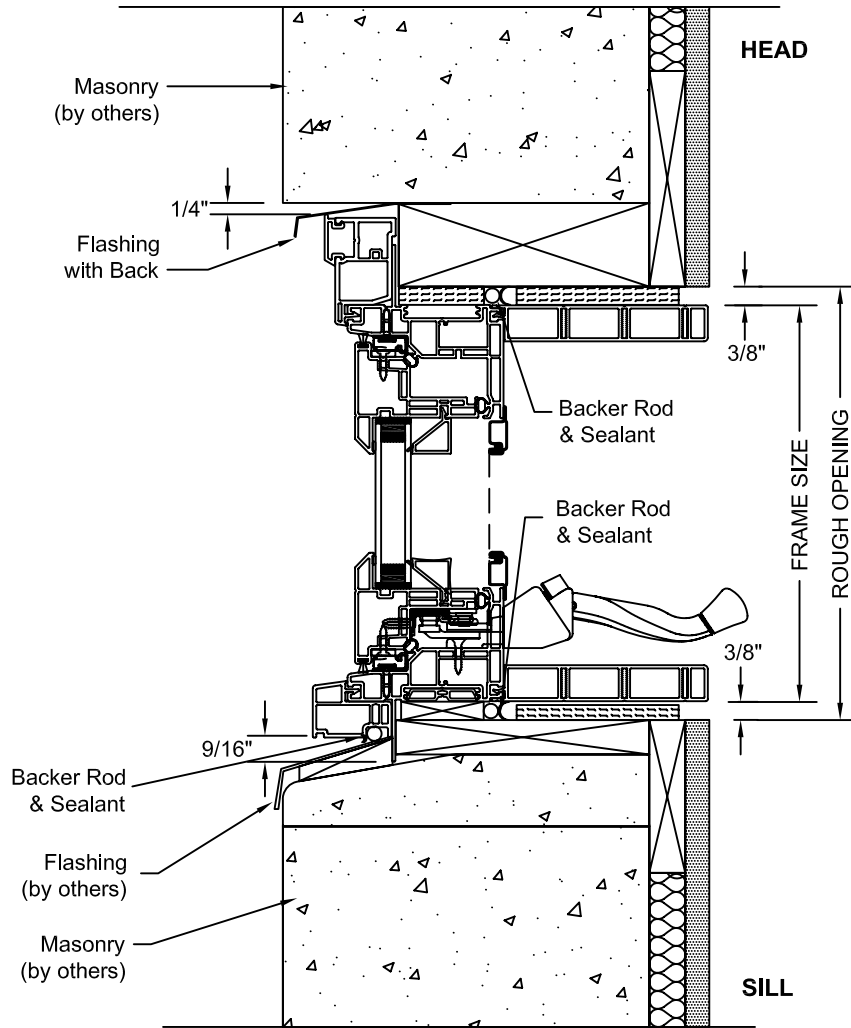


SCALE: 3" = 1'-0"

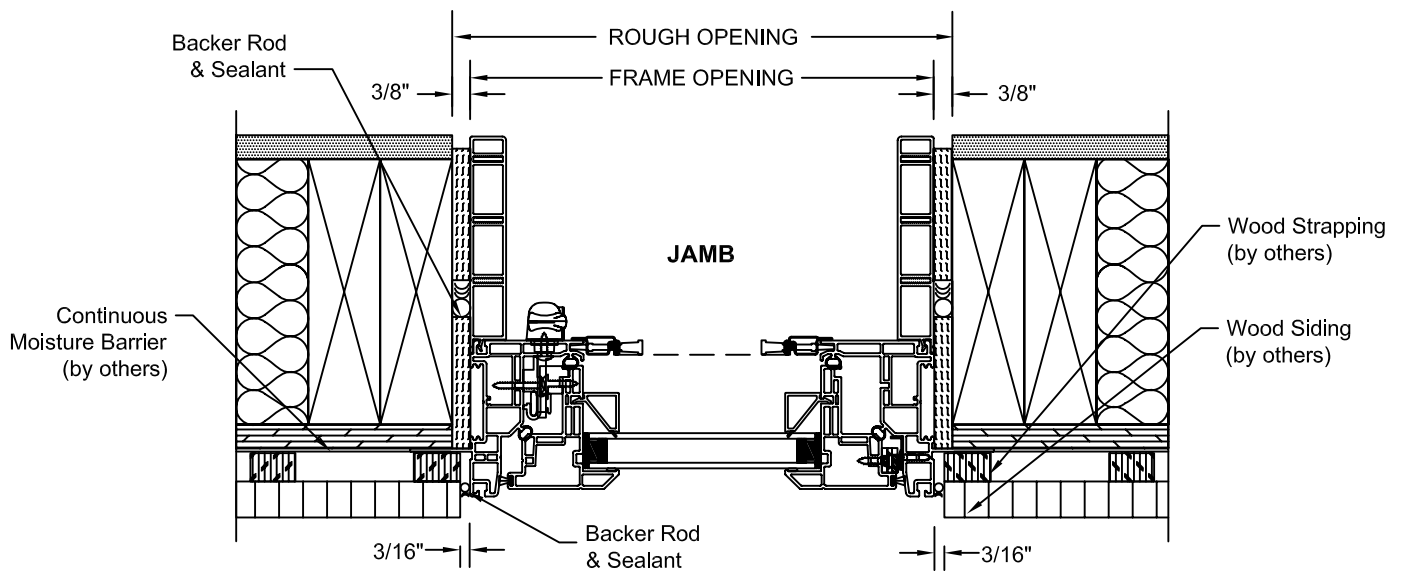
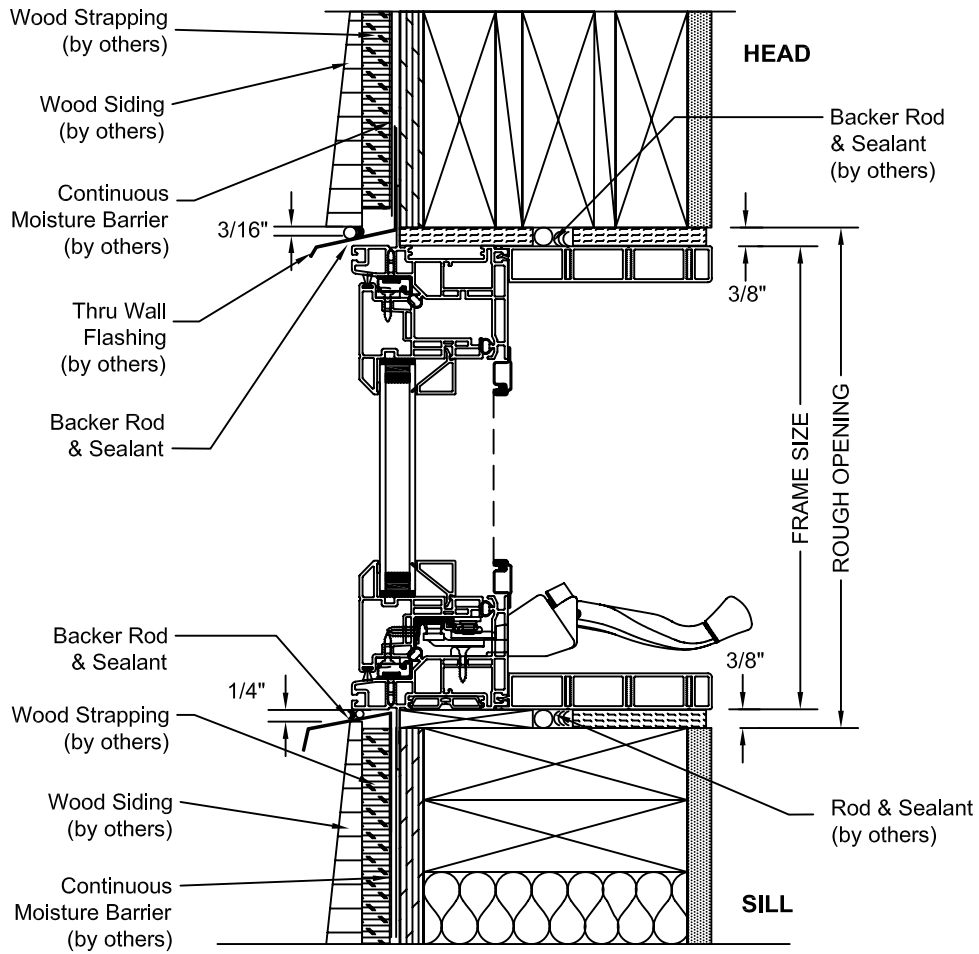




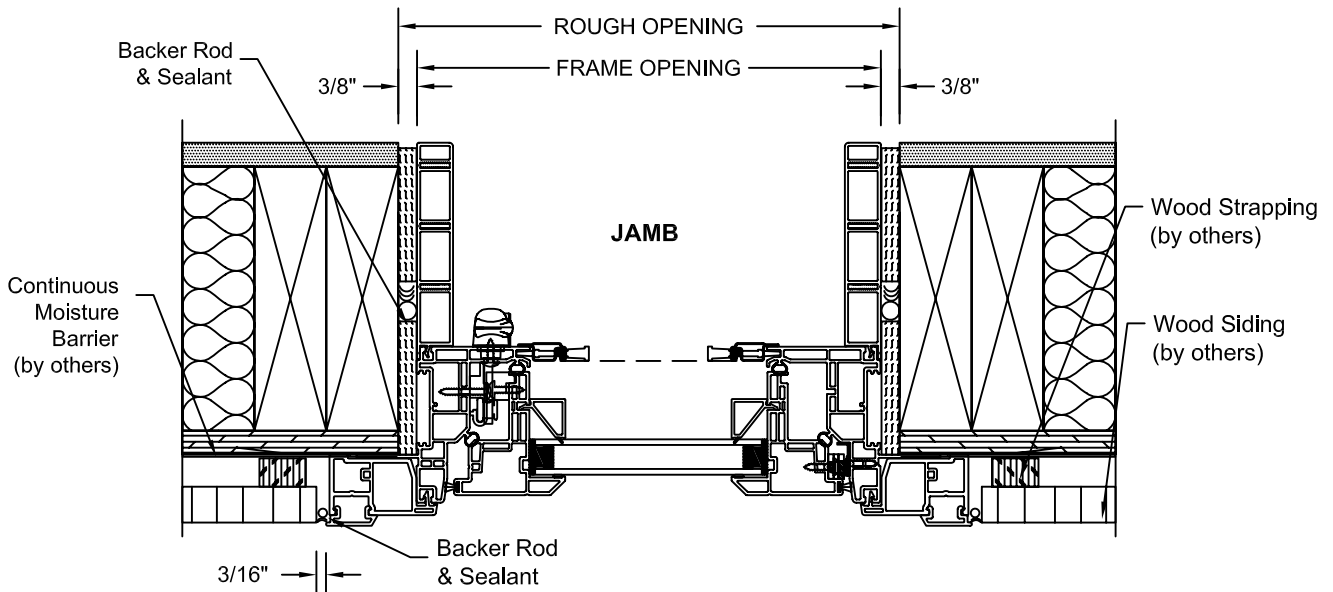
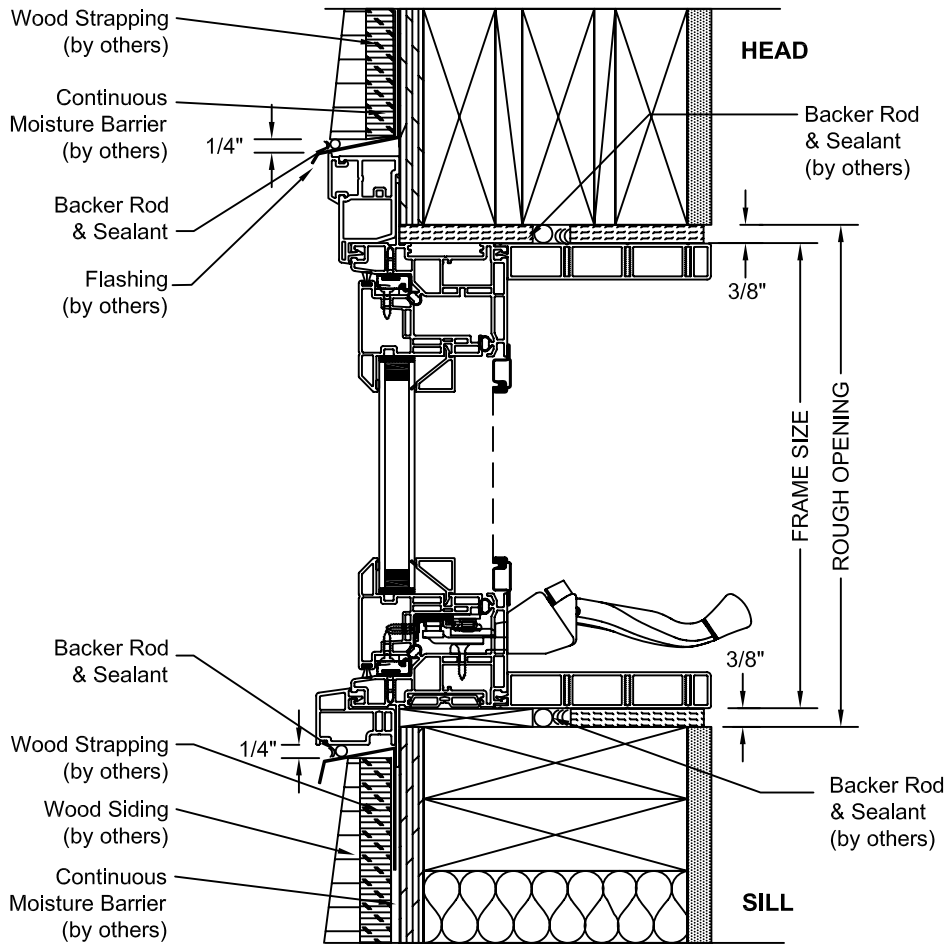
SCALE: 3" = 1'-0"



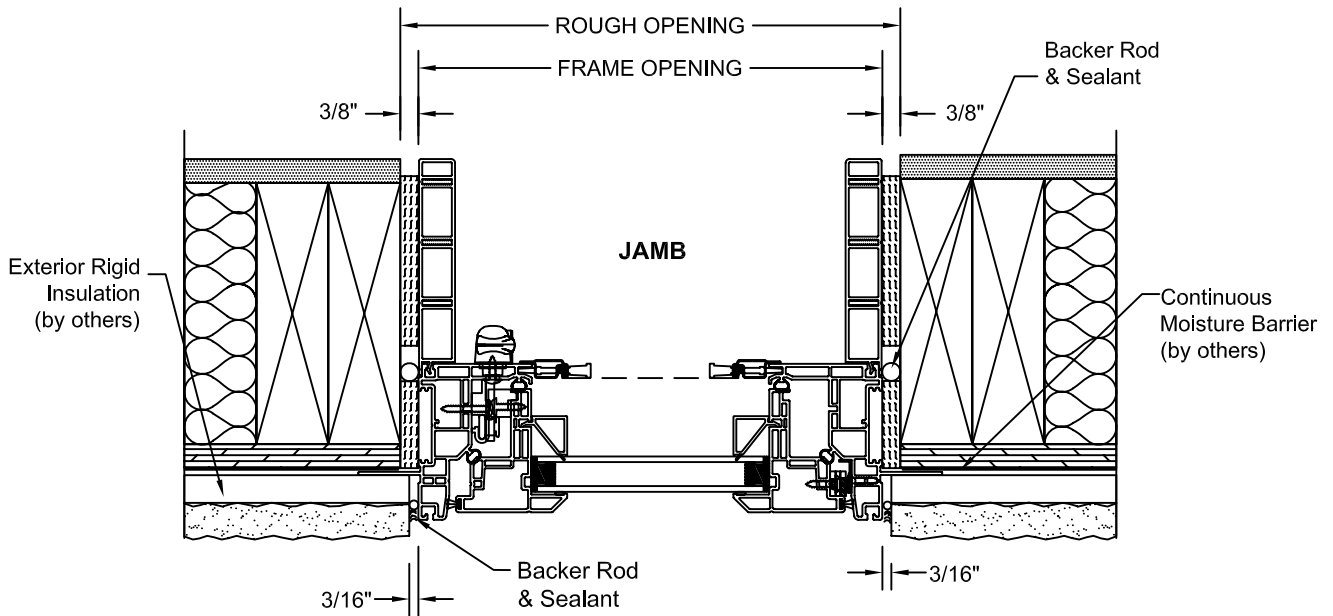
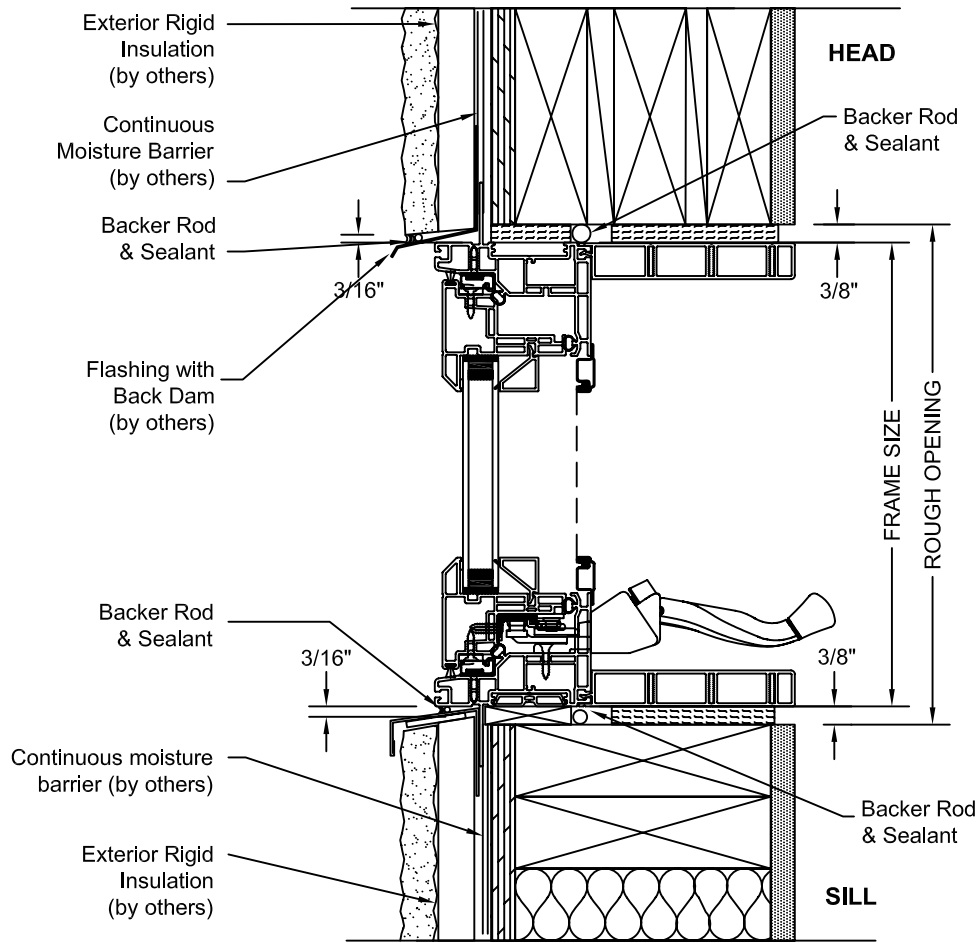
SCALE: 3" = 1'-0"



SCALE: 3" = 1'-0"



SCALE: 3" = 1'-0"



SCALE: 3" = 1'-0"

