



RISE ABOVE

ADVANCED AIR MOBILITY SOLUTIONS

SUCCESS IN THE SKIES STARTS WITH REGAL REXNORD AEROSPACE SOLUTIONS.

Today, Advanced Air Mobility is about reality, not theory. Engineers look to blue skies not for inspiration, but for the competitive edge. Regal Rexnord Aerospace Solutions delivers this edge in motion control with an unmatched portfolio of proven technology, deep design expertise, and the speed and scale to meet the toughest production and design goals. We help you succeed in AAM. We help you Rise Above.



Unsurpassed expertise

Regal Rexnord offers a unique breadth and depth of motion engineering expertise for flight-critical aerospace applications.

- 75-plus-year history of delivering proven solutions for the industry's most challenging applications.
- One of the industry's broadest electrical and mechanical motion control solution sets, designed and manufactured in-house.
- Advanced manufacturing capabilities, with 12 AS9100-certified facilities worldwide that ensure quality, performance, and reliability.



Speed and scale

Our expert engineers streamline development cycles to meet your accelerated timelines for working prototypes and full-scale production.

- Proven process for engineer-to-engineer collaborative design.
- Integration-ready electromechanical actuation systems reduce design complexity and keep your teams agile and efficient.
- The ability to scale operations to meet market demand—backed by the resources of Regal Rexnord, a global company with more than 30,000 associates and well-established design, manufacturing, and support capabilities worldwide.

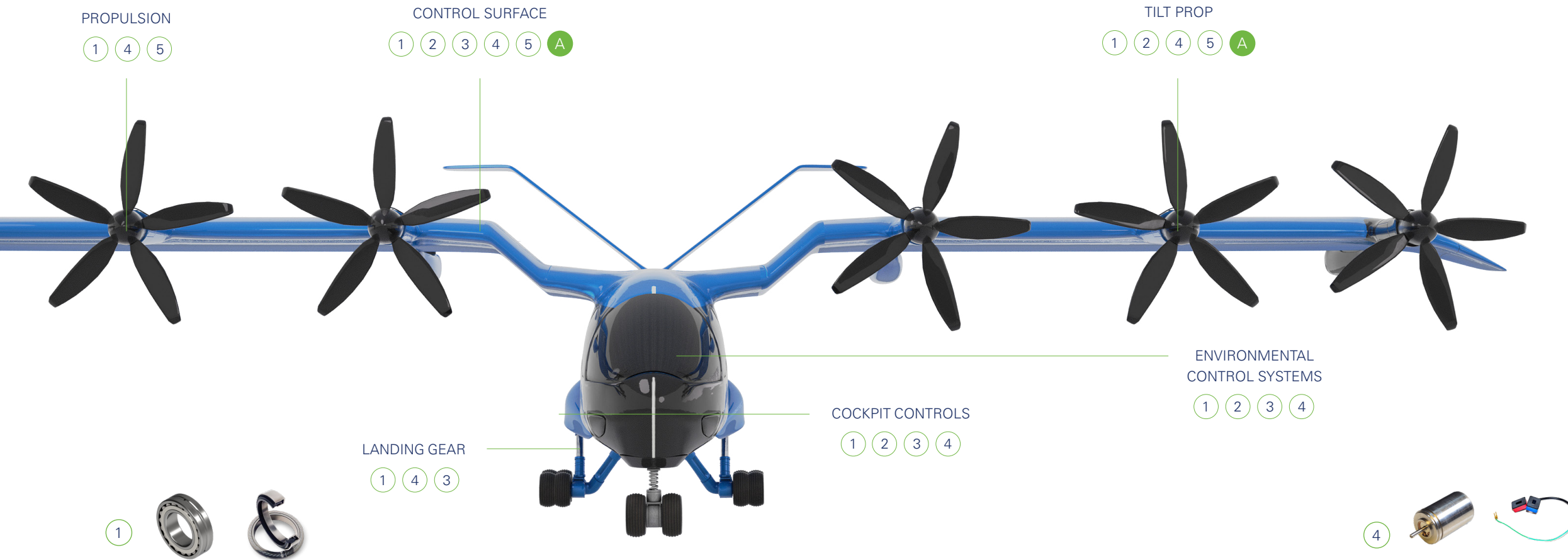


Optimized design

An unsurpassed breadth of motion control technologies—from standalone components to fully integrated sub-systems—to create solutions for the most challenging AAM applications.

- With an array of off-the-shelf components and limitless customization options, we will partner with you to fit the solution to your design, not the other way around.
- Highly-engineered motors, seals, bearings, gears, brakes, resolvers, magnetics, ball and lead screws—all optimized for size, weight and power (SWaP).
- Solutions designed for reliable performance in the most extreme shock, vibe and temperature conditions of aerospace and tested to RTCA DO-160G standards.

**FLIGHT-CRITICAL SOLUTIONS. PRECISION COMPONENTS TO FULLY-INTEGRATED SUBSYSTEMS.
ONE GLOBAL PARTNER FOR DESIGN INNOVATION AND FULL-SCALE PRODUCTION.**



Full Rotational & Oscillatory Bearings, Dynamic Seals, Gears, and Shafts

Highly-engineered for reliability in the most extreme environments.



High-Performance, Precision Motors

Industry-leading torque, speed and reliability in a compact package.



LANDING GEAR

1 4 3

COCKPIT CONTROLS

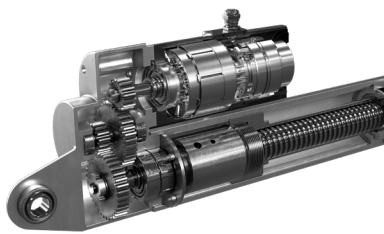
1 2 3 4

ENVIRONMENTAL CONTROL SYSTEMS

1 2 3 4

TILT PROP

1 2 4 5 A



A Electro-Mechanical Actuators

Custom-engineered, integration-ready actuators designed and built to accelerate your time to market.



Ball & Lead Screws

Our extensive line pairs precision design with high reliability.



Resolvers & Magnetics

Customized solutions provide the high reliability required for flight-critical applications.



Clutches & Brakes

From sprag to bidirectional and electromagnetic—all with flight-critical performance.

Regal Rexnord delivers all of your motion control needs.

- Premium components with decades of proven aerospace reliability
- Multi-component bundles engineered for seamless operation
- Fully-integrated sub-systems with rapid time-to-prototype and manufacturing at scale

Our trusted collection of brands provides direct access to a full spectrum of collaborative engineering expertise—all under one roof.

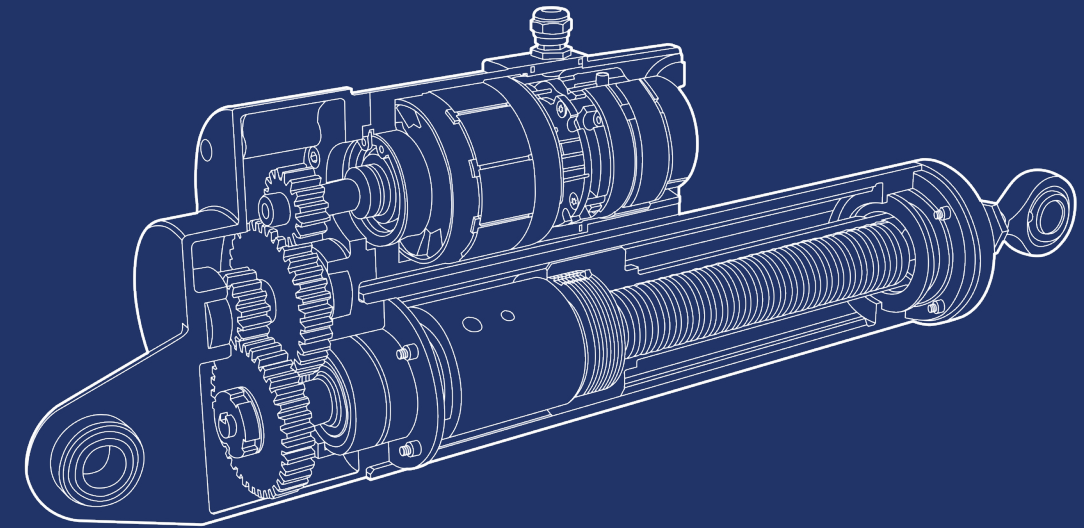
- REXNORD AEROSPACE
- KOLLMORGEN
- PORTESCAP
- NOOK
- THOMSON
- DELEVAN
- FORMSPRAG CLUTCH

EXPERT COLLABORATION. EXPEDITED DEVELOPMENT. ENDLESS INNOVATION POTENTIAL.

When you work with Regal Rexnord, one partnership delivers everything you need to succeed. Our engineers offer decades of proven experience solving the most complex motion control challenges in aerospace. We use an established collaborative design approach to define your unique requirements and quickly translate these into prototypes and full-scale production solutions. Whether you are seeking a highly engineered custom component, a bundled solution, or a fully-integrated, pre-assembled actuator, Regal Rexnord has the design engineering, global-scale production, and long-term support you need to win in today's rapidly evolving marketplace.

Electro-Mechanical Actuators: Custom-engineered, integration-ready

Using the proven process outlined below, our aerospace motion experts design and build vertically-integrated solutions tailored to meet your most challenging specifications for performance, cost, and delivery.



Initial Design

Through a collaborative process based on your unique design requirements, we'll engineer the right combination of components and subsystems—all working together for optimal performance and assured manufacturability.

Engineering Support

Rely on the collaborative engineering support of our teams, combining expertise across the range of Regal Rexnord Aerospace technologies.

Rapid Prototyping

Our solutions offer extensive modification capabilities to reduce prototyping timelines.

Iterative Design

After the initial prototype, we refine the solution as needed to ensure components work together flawlessly with each design revision on your accelerated project timeline.

Manufacturing at Scale

After passing critical design review, we're ready for production at scale with a repeatable approach to lean manufacturing in our 12 global AS9100 facilities.

Long-term Support

We support your design for the duration of your program, with sustained product availability and flexible production that can scale up or down as needed.



Creating a Better Tomorrow.

At Regal Rexnord, we create a better tomorrow with sustainable solutions that power, transmit, and control motion. Focused on customer needs and committed to sustainability, we harness innovation to transform industries and create a brighter future. From high-performance, precision motion control systems that power surgical robots, humanoids, satellites, and unmanned aerial vehicles, to advanced automation systems that optimize motion across factory floors, to precision-engineered power transmission components and innovative air-moving solutions that drive efficiency, our technologies fuel progress.

The impact of Regal Rexnord's innovation capability goes far beyond our expertise and resources in advanced aerospace. For more than 125 years, our portfolio of technology brands has grown intentionally and thoughtfully. We find the best and brightest ideas, bring them together under a single roof, build them to suit each customer's purpose, and create value far beyond their individual potential.

Utilizing our deep knowledge of the unique motion needs of the industries we serve—robotics, aerospace, space, defense, medical, data centers, factory automation, renewable energy, agriculture, construction, and more—we collaborate with our customers and serve as trusted advisors to deliver optimized solutions. Customer-focused innovation drives us, and our global network of design and manufacturing centers enables us to effectively engineer and reliably produce the complex solutions required to drive progress all around the world.

Headquartered in Milwaukee, Wisconsin, and with a worldwide presence of over 200 locations and 30,000 associates dedicated to customer success, Regal Rexnord (NYSE: RRX) empowers global industries to thrive sustainably while **Creating a Better Tomorrow.**

To learn more about Advanced Air Mobility solutions from Regal Rexnord and our portfolio of proven brands, contact your sales representative or [visit **regalrexnord.com/aam**](https://www.regalrexnord.com/aam)