

Written-off vehicle notification

The following information must be provided prior to disposal of the vehicle. Please complete ALL sections, print in ink using BLOCK letters and sign below.

1. Vehicle details

Vehicle type Light passenger/Commercial Motorcycle

Plate number		Make		Model		Year	Y	Y	Y	Y
VIN						Engine no. (if available)				

2. Registered operator or owner details

Surname or company name											
First given name(s) or ACN/ARBN						Licence/Customer no.					
Residential (or company) address							Postcode				
Mobile phone no. (or other if not applicable)						Email					

Has the vehicle been retained by the registered operator? Yes No

3. Incident details

Write-off type Repairable Statutory

Date of incident	D	D	M	M	Y	Y	Y	Y	Date of write-off	D	D	M	M	Y	Y	Y	Y	Reference no.		
Comments																				

4. Damage details *(refer overleaf for instructions)*

1st incident type	Damage location	1	2	3	4	5	6	7	8	9	10	11	12	13	14
	Damage severity														
	Damage location	15	16	17	18	19	20	21	22	23	24	25	26	27	28
	Damage severity														
	Damage location	29	30	31	32	33	34	35	36	37	38	39	40	41	
	Damage severity														
2nd incident type	Damage location	1	2	3	4	5	6	7	8	9	10	11	12	13	14
	Damage severity														
	Damage location	15	16	17	18	19	20	21	22	23	24	25	26	27	28
	Damage severity														
	Damage location	29	30	31	32	33	34	35	36	37	38	39	40	41	
	Damage severity														

5. Details of person making declaration

Name	Company name	Contact phone no.
------	--------------	-------------------

Business type Insurer Dealer (Licensed motor car trader) Motor wrecker

The Department of Transport and Planning ABN 69 981 208 782 ('Department') and R&L Services Victoria Pty Ltd ABN 28 657 005 493 (as Trustee for the Victorian R&L Services Trust ABN 96 342 123 072), known as 'VicRoads' and acting on behalf of the Secretary to the Department, ('we, us') collect personal information for registration and licensing purposes.

This personal information will be handled by us as permitted or required by the applicable laws. We may disclose the personal information we collect from you to various organisations and persons as permitted or required by applicable laws, particularly by the *Road Safety Act 1986*. This includes disclosing the information to third parties including our contractors and agents, law enforcement agencies, other road and traffic authorities, Austroads, the Transport Accident Commission, vehicle manufacturers (for safety recalls), toll road operators, road safety researchers, courts and other organisations or people authorised to use the personal information.

You are required to provide this personal information. Your failure to provide the information may result in this form not being processed, or your records not being properly maintained. For further information about our use of your personal information and your right of access to it, go to: dtp.vic.gov.au/privacy.

Providing false or misleading information or documents is a serious offence under the *Road Safety Act 1986* and *Marine Safety Act 2010*, as applicable, and can result in you being fined or imprisoned. Further, any authority or approval, given as a result of you providing such information/documents, may be reversed and have no effect.

By signing this form, I declare that the information in this form and related supporting documents is true, correct and complete, and I understand the privacy statement.

Signature	Date
Please print form and sign here.	Please complete date when signing this form.

Damage details – instructions *(up to two incident types may be recorded)*

A full description of the national damage assessment criteria and how to apply them is set out in *Damage Assessment Criteria for the Classification of Light Vehicle Statutory Write-offs* available at austroads.com.au

Incident type codes: Select the 'incident type' that has resulted in the damage from one of the six types listed below and enter the code letter next to '1st incident type'. If a second 'incident type' is involved, enter the applicable code letter next to '2nd incident type'.

Damage locations and damage severity codes: Refer to the diagrams and list below and match an appropriate 'damage severity code' to each location where the vehicle is damaged. Enter the applicable code letter below the numbered 'damage locations' in the '1st incident type' table on the front. Only use the '2nd incident type' if a second incident type has also caused damage.

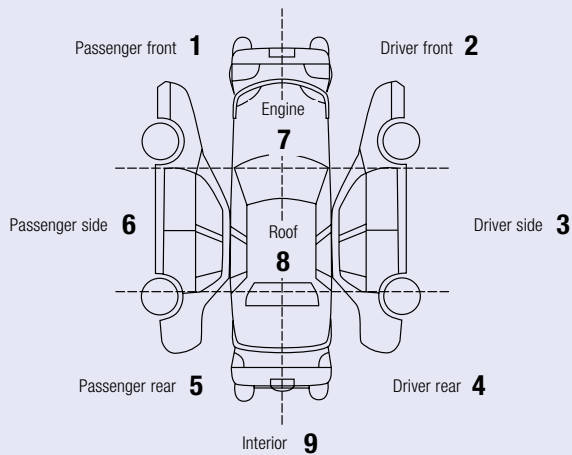
Incident type codes

- D Dismantled** – legitimate removal of components for use as parts
- F Fire** – damage caused by combustion
- H Hail** – damage caused by hail stones
- I Impact** – collision of some type with an object (e.g. another vehicle, tree or pole)

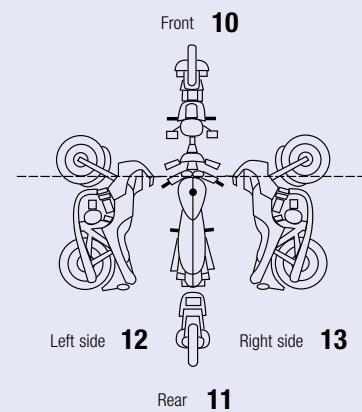
- M Malicious/vandalism/stripped** – intentional damage (e.g. broken door locks, glass window or windows, paint scratched or stripped of all or a combination of interior and exterior body parts)
- W Water** – damage caused by water (fresh or salt) such as a storm, river or flood

Damage locations

Light passenger/Commercial vehicle



Motorcycle



- | | | | |
|--|---|---|---------------------------------------|
| 14 Whole vehicle | 21 Chassis/structural rails (driver) | 28 D pillar passenger | 35 Suspension (driver front) |
| 15 Floor pan (passenger front) | 22 A pillar passenger | 29 D pillar driver | 36 Suspension (passenger rear) |
| 16 Fire wall | 23 A pillar driver | 30 Engine block (cracked, fractured) | 37 Suspension (driver rear) |
| 17 Chassis/structural rails (passenger) | 24 B pillar passenger | 31 Transmission case | 38 Airbag front |
| 18 Floor pan (driver rear) | 25 B pillar driver | 32 Differential case | 39 Airbag side |
| 19 Floor pan (driver front) | 26 C pillar passenger | 33 Axle housing | 40 Airbag curtain |
| 20 Floor pan (passenger rear) | 27 C pillar drive | 34 Suspension (passenger front) | 41 Seatbelt pre-tensioner |

Damage severity code

- | | | | |
|---------------------------|----------------------------------|--------------------------|--------------------------|
| A Heavy panel | E Unrepairable | I Minor stripping | M Water (fresh) |
| B Light panel | F Major mechanical damage | J Major vandalism | N Burnt/blistered |
| C Heavy structural | G Minor mechanical damage | K Minor vandalism | O Smoke and heat |
| D Light structural | H Major stripping | L Water (salt) | P Minor smoke |